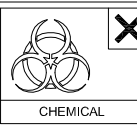
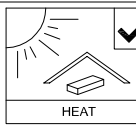




SOFT, DRY CLOTH



CHEMICAL



HEAT



KEEP DRY



HANDLE WITH CARE



DO NOT USE KNIFE

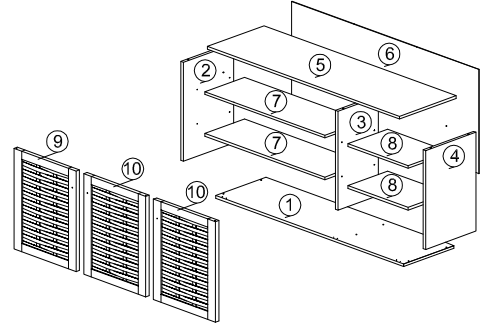
ASSEMBLY INSTRUCTION

DESCRIPTION : 3 DOORS SHOE CABINET

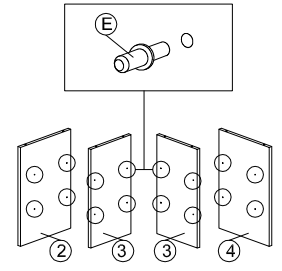
HARDWARE

A 16MM CB SCREW 1X26	B 38MM CB SCREW 1X6	C NAIL 5/8 1X23	D D1 D2 D3 3.5 KG MAGNET (1 HOLE) 3 SETS	E PVC SHELF SUPPORT 1X16	F DOOR SUPPORT SPRING 1X3	G G1 G2 1X1 1X2	H ROUND PLASTIC LEG (PVC) 1X5	I I1 I2 6 SETS	J L-KEY 1X1	K QUICKFIT CAP 1X6	L HANDLE (METAL) 1X3	M 22MM HANDLE SCREW 1X3
--------------------------------------	-------------------------------------	------------------------------	--	---------------------------------------	--	------------------------------------	--	--------------------------------	--------------------------	---------------------------------	-----------------------------------	---

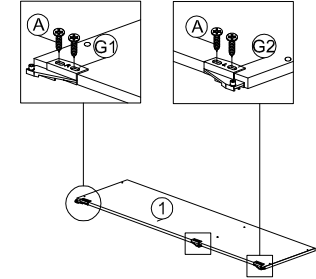
PART LIST



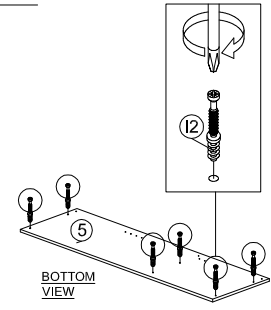
STEP 1



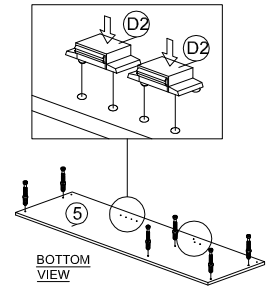
STEP 2



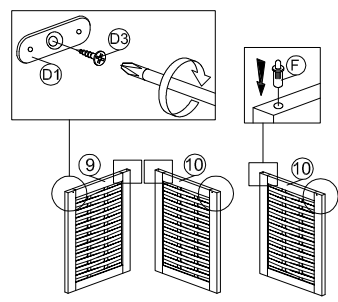
STEP 3



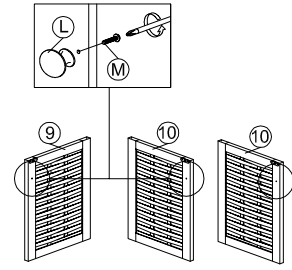
STEP 4



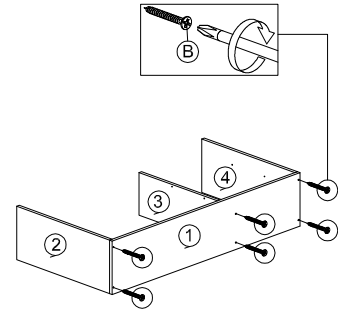
STEP 5



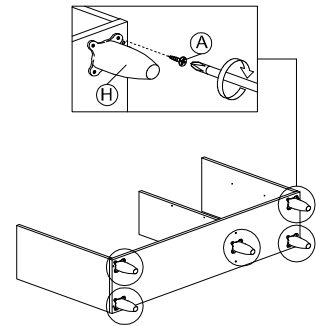
STEP 6



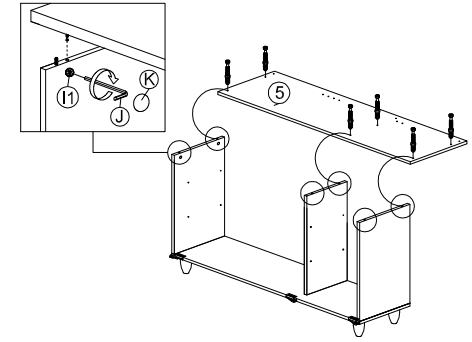
STEP 7



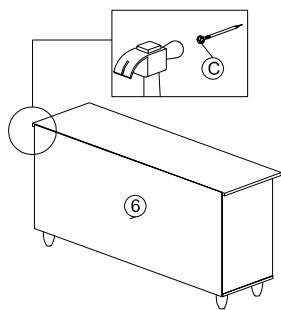
STEP 8



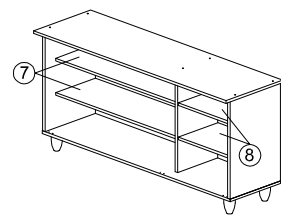
STEP 9



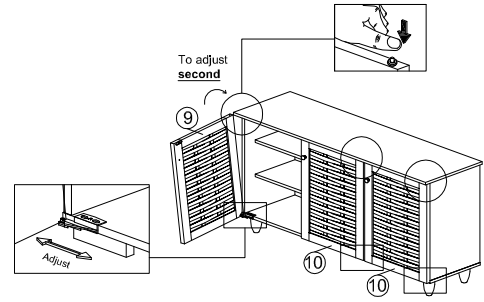
STEP 10



STEP 11



STEP 12



COMPLETED

