

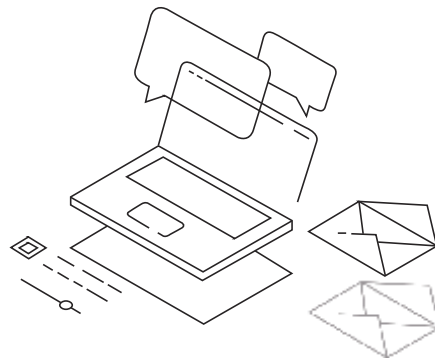
INSTALLATION MANUAL



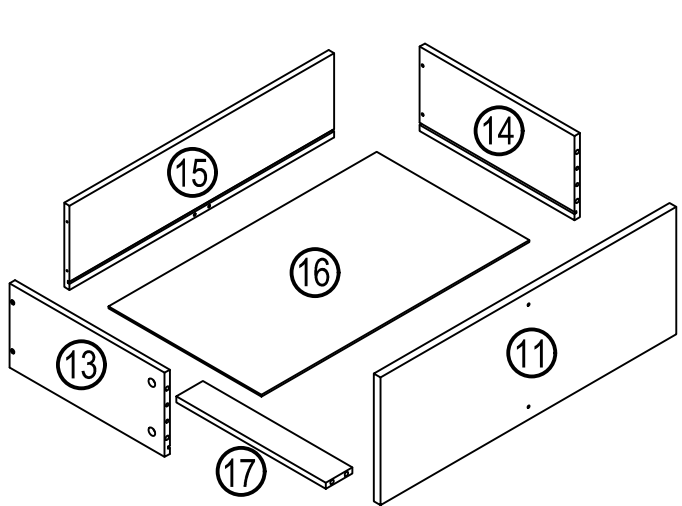
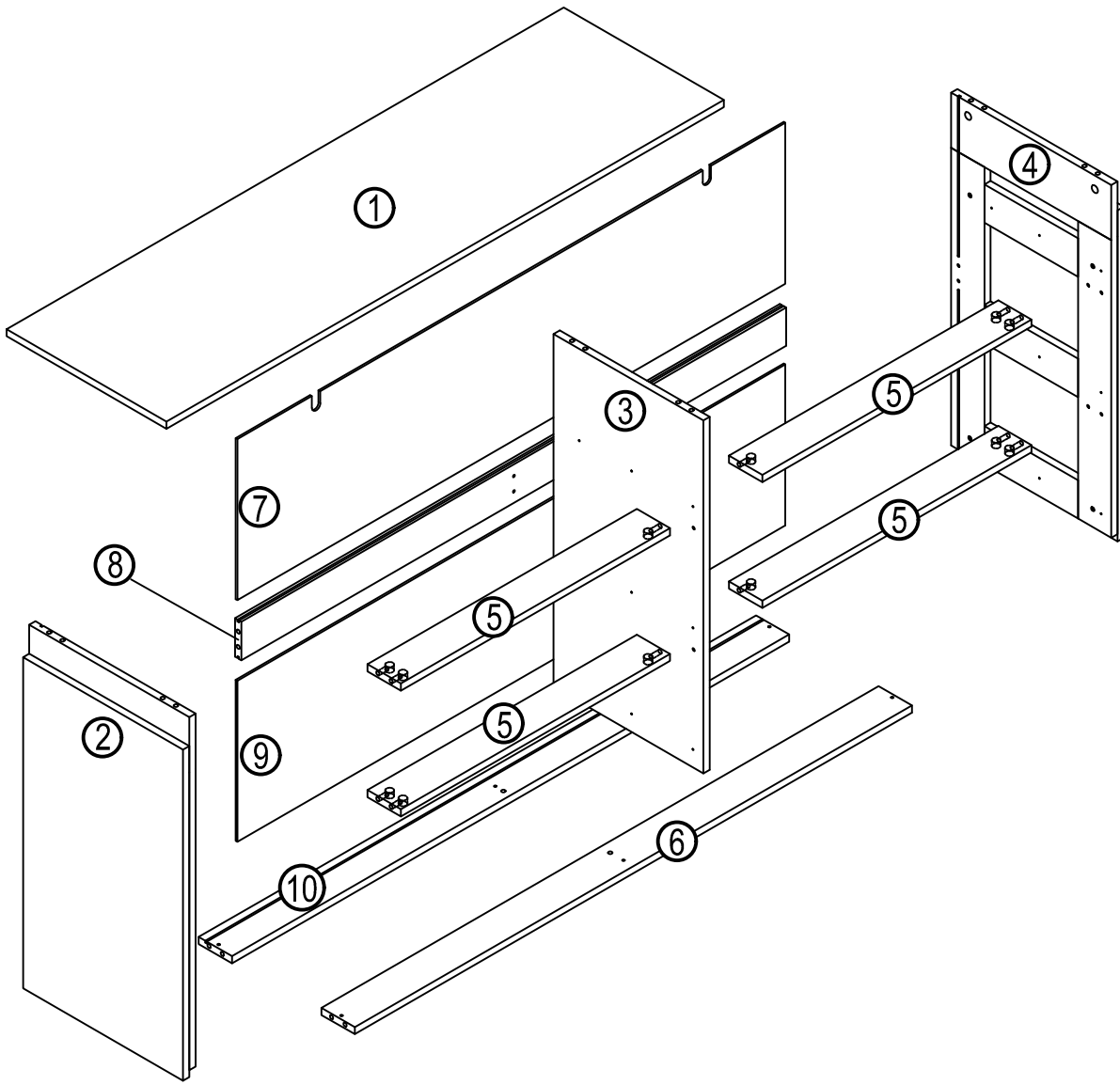
* Guests need to prepare their own :



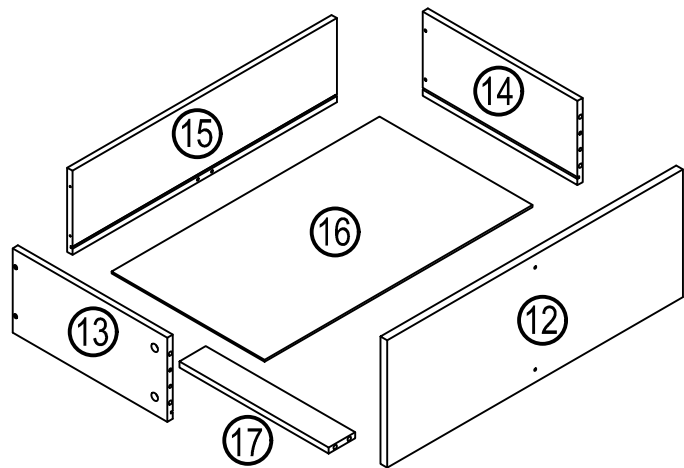
Phillips screwdriver



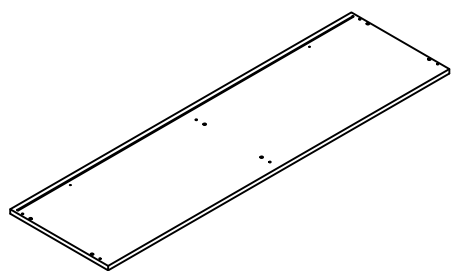
PARTS



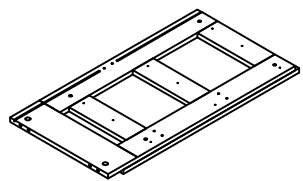
x3



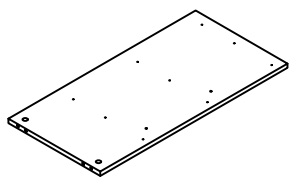
x3



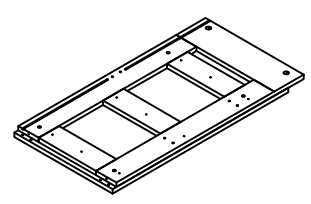
① x 1PC



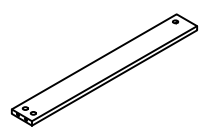
② x 1PC



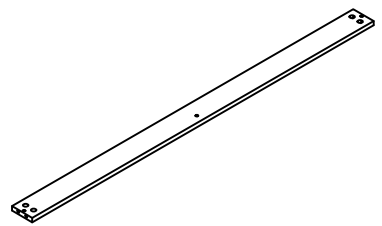
③ x 1PC



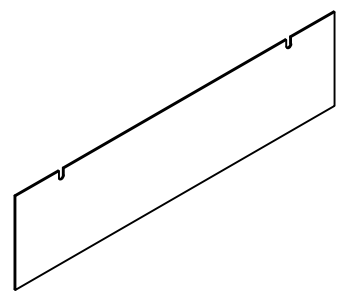
④ x 1PC



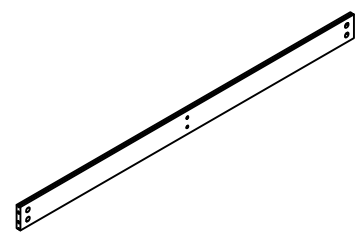
⑤ x 4PCS



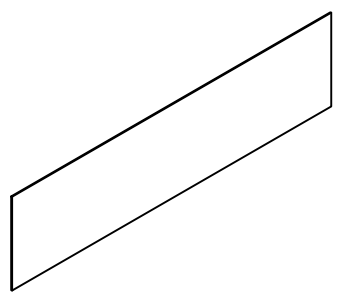
⑥ x 1PC



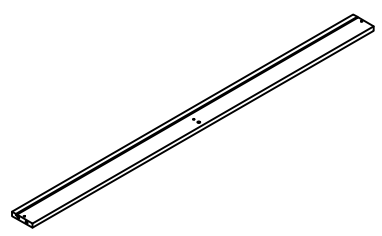
⑦ x 1PC



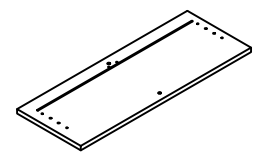
⑧ x 1PC



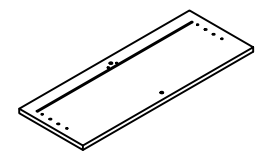
⑨ x 1PC



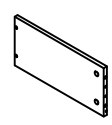
⑩ x 1PC



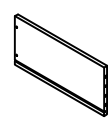
⑪ x 3PCS



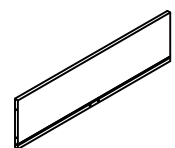
⑫ x 3PCS



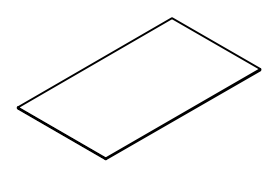
⑬ x 6PCS



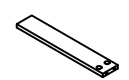
⑭ x 6PCS



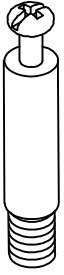
⑮ x 6PCS



⑯ x 6PCS

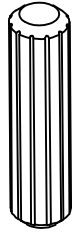


⑰ x 6PCS



M6 x 35

A x 66 (+5)



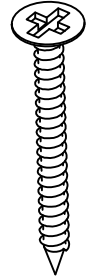
Ø8 x 30

B x 8 (+1)



Ø6 x 30

C x 24 (+2)



M4 x 35

D x 46 (+4)



M3 x 14

E x 10 (+1)



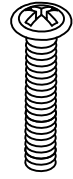
M3.5 x 12

F x 72 (+6)



M4 x 12

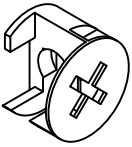
G x 2



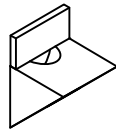
M4 x 18

H x 12 (+2)

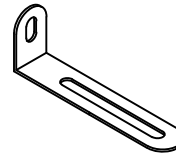
Scale 1 : 1



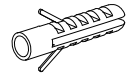
I x 66 (+5)



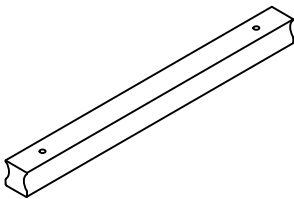
J x 10 (+1)



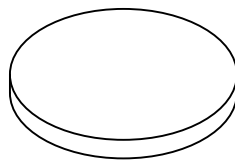
K x 2



L x 2

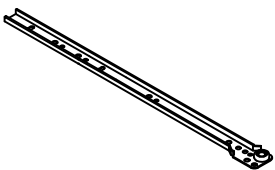


M x 6



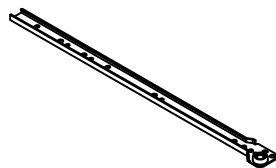
N x 6 (+2)

Note: Some screws include extra pieces for your convenience. Please keep them in case of future use.



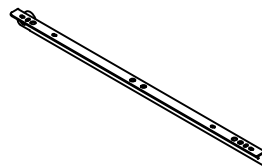
L = 350mm

CL x 6



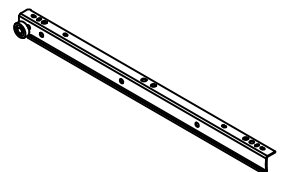
L = 350mm

CR x 6



L = 350mm




DL x 6

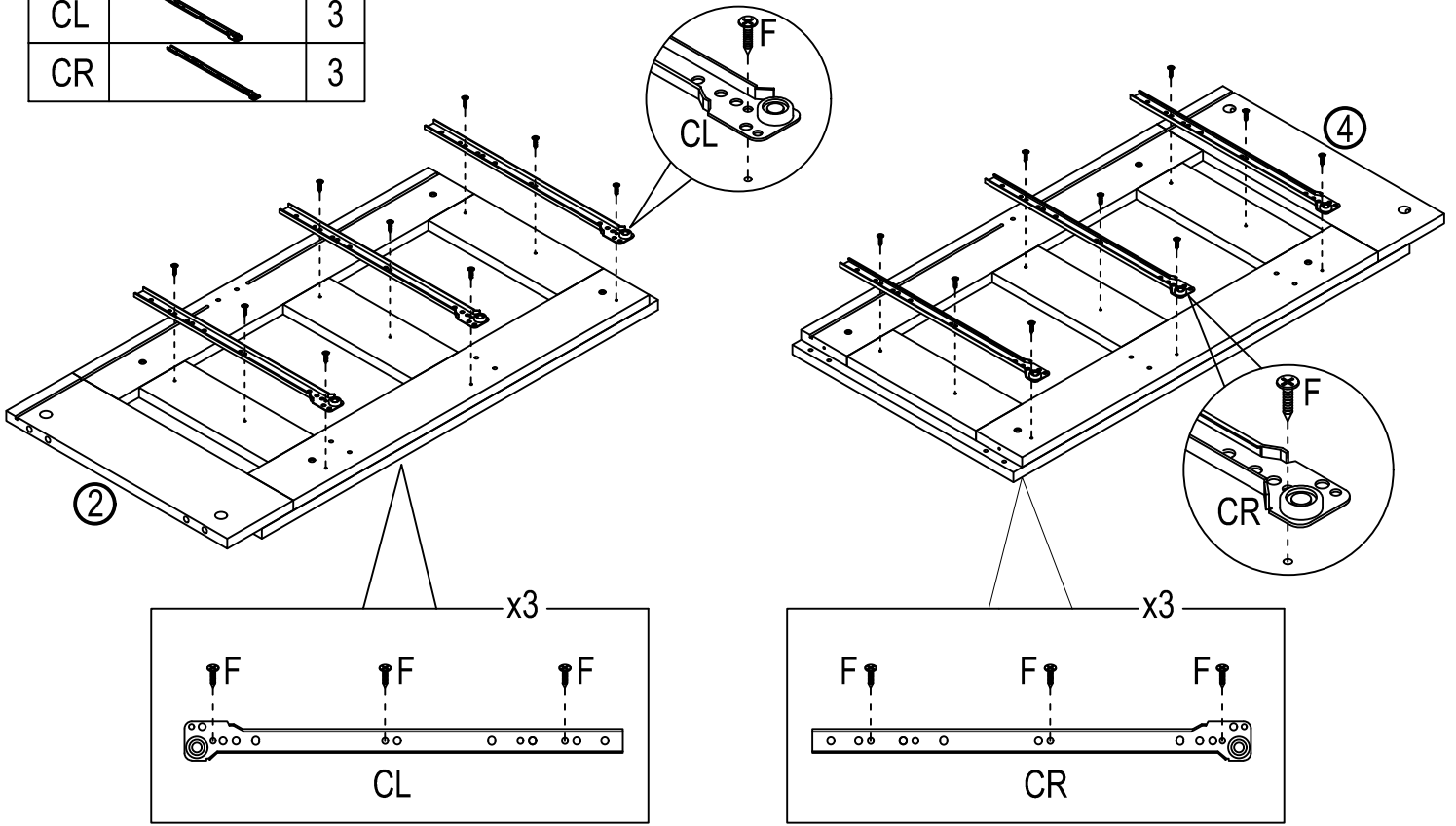


L = 350mm

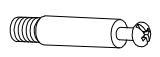
DR x 6

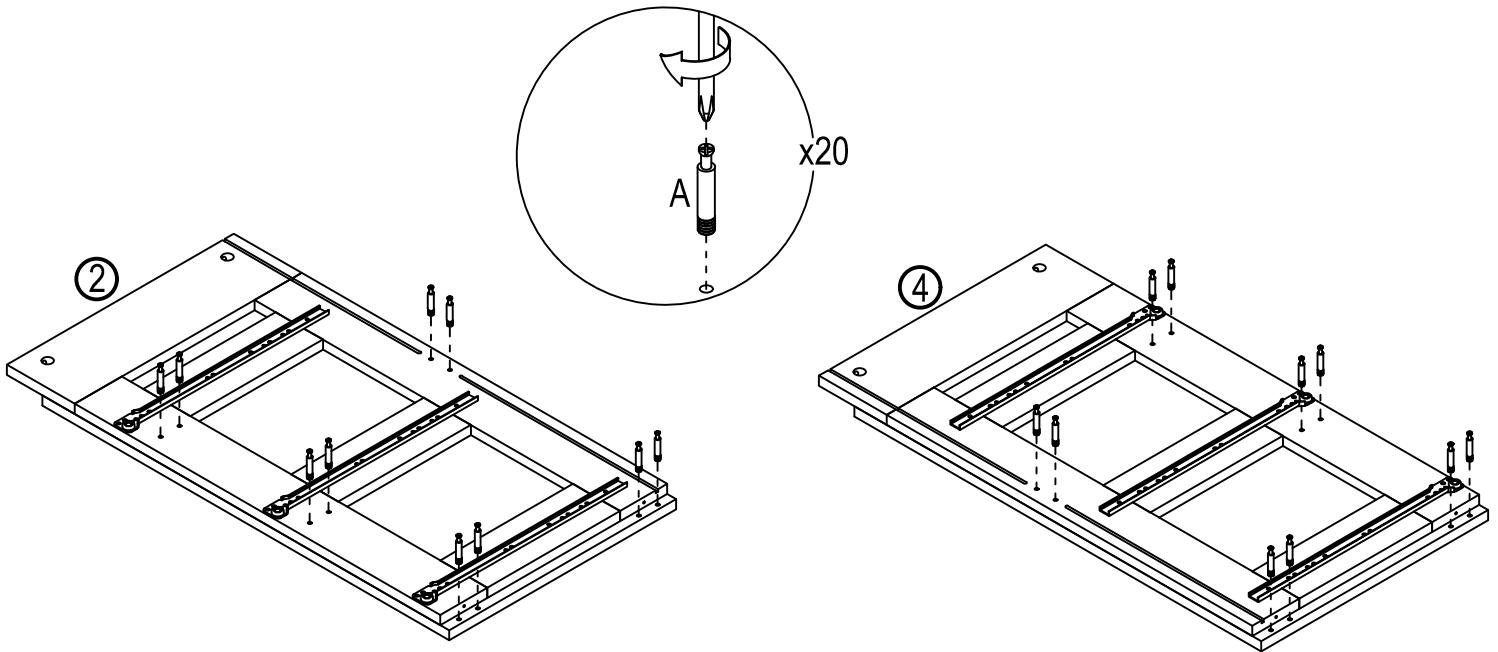
1




F		18
CL		3
CR		3



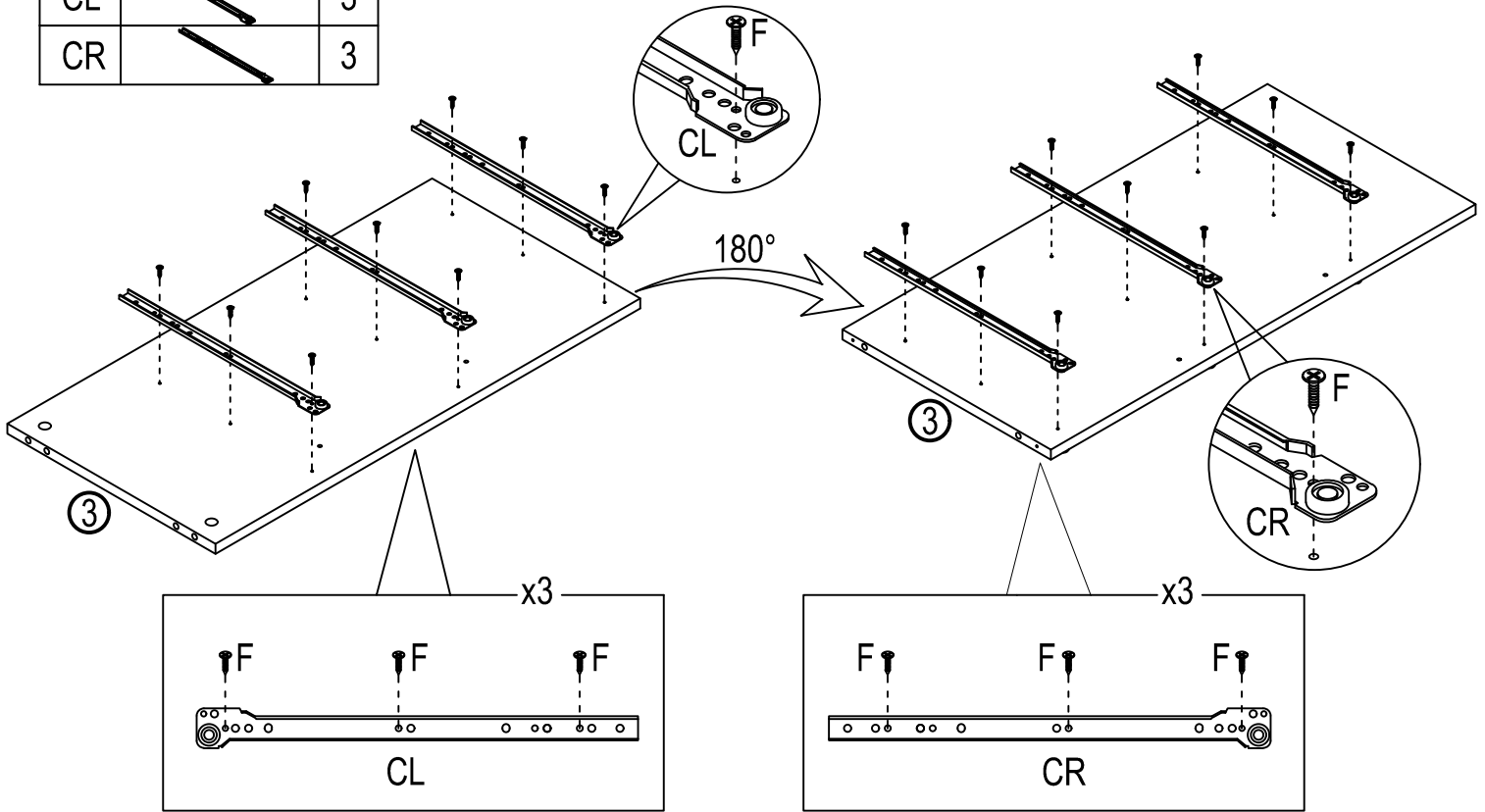
2

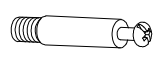
A		20
---	---	----



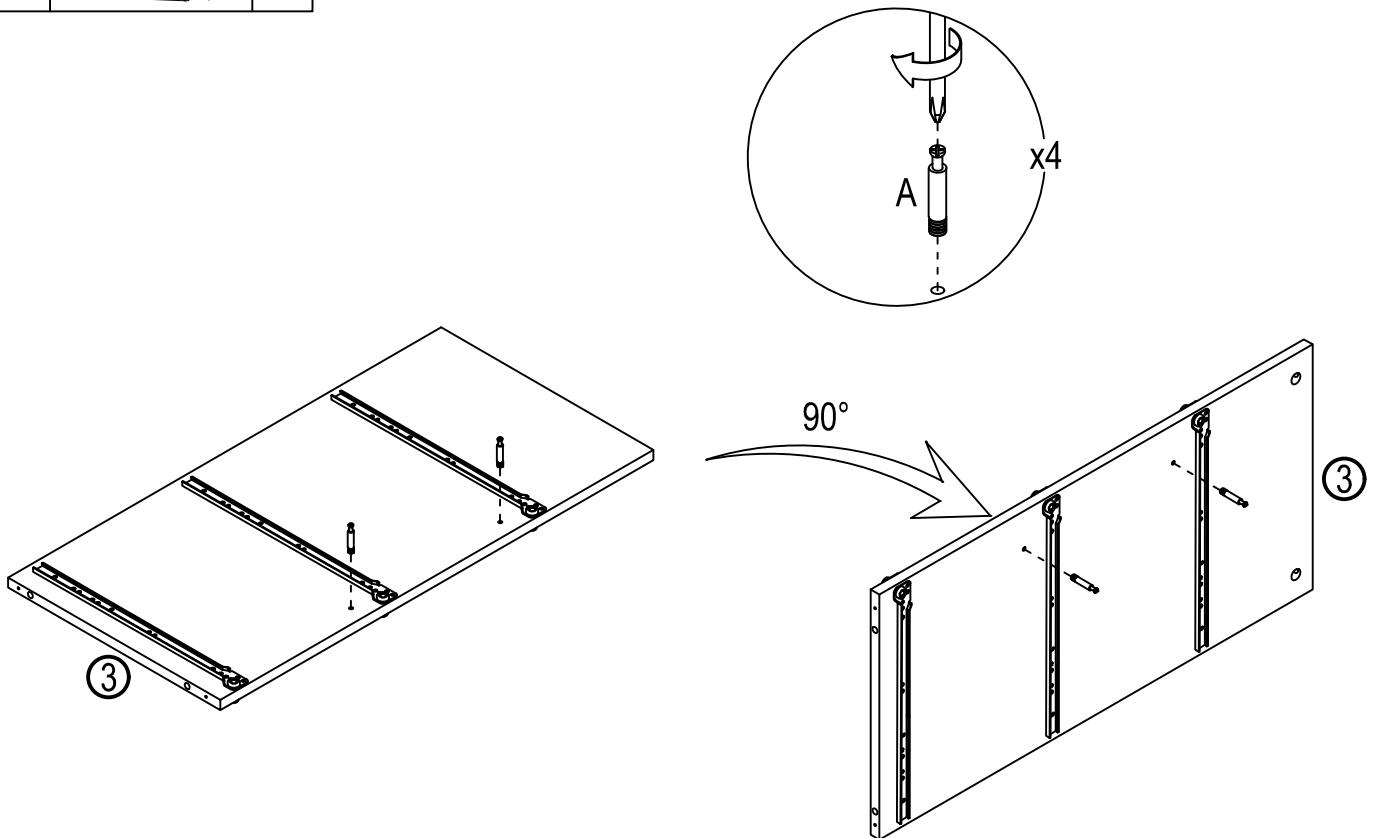
F		18
CL		3
CR		3

3



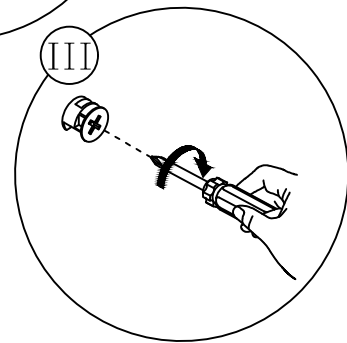
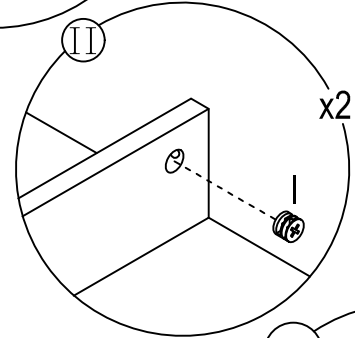
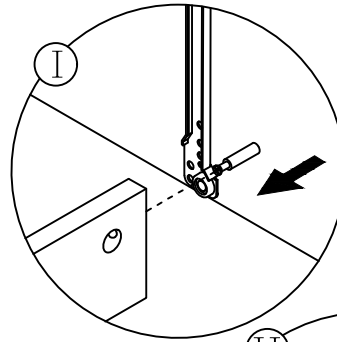
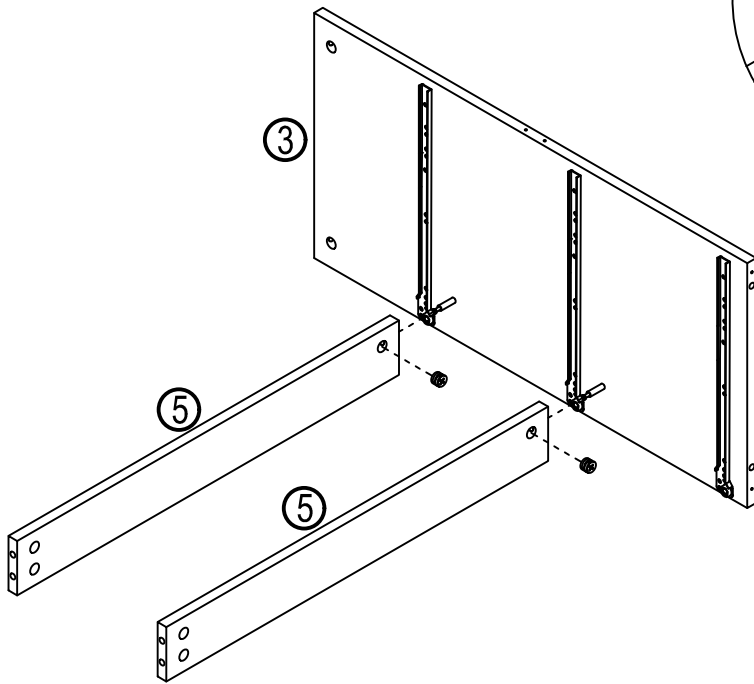
A		4
---	---	---

4



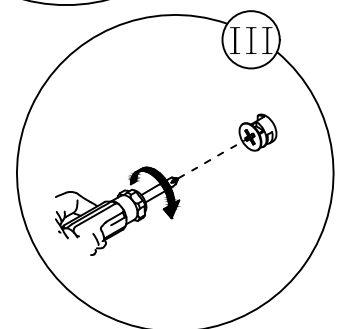
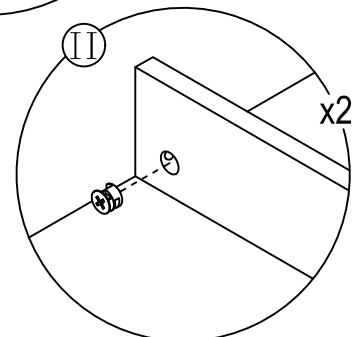
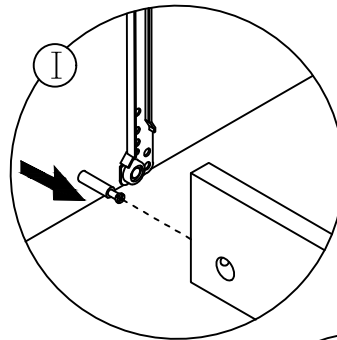
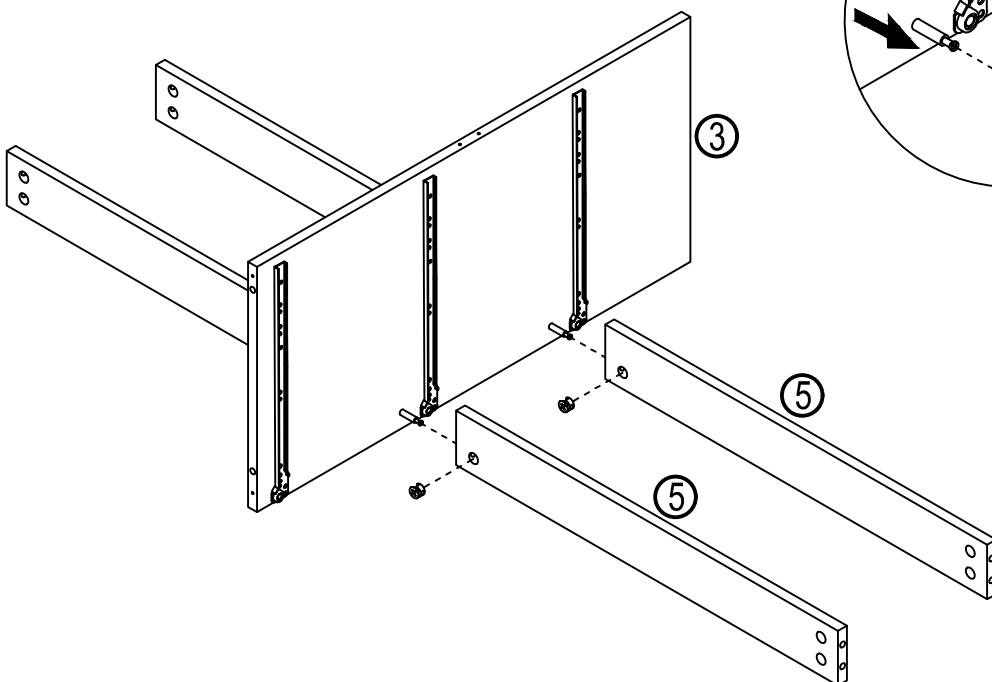
I		2
---	---	---


5



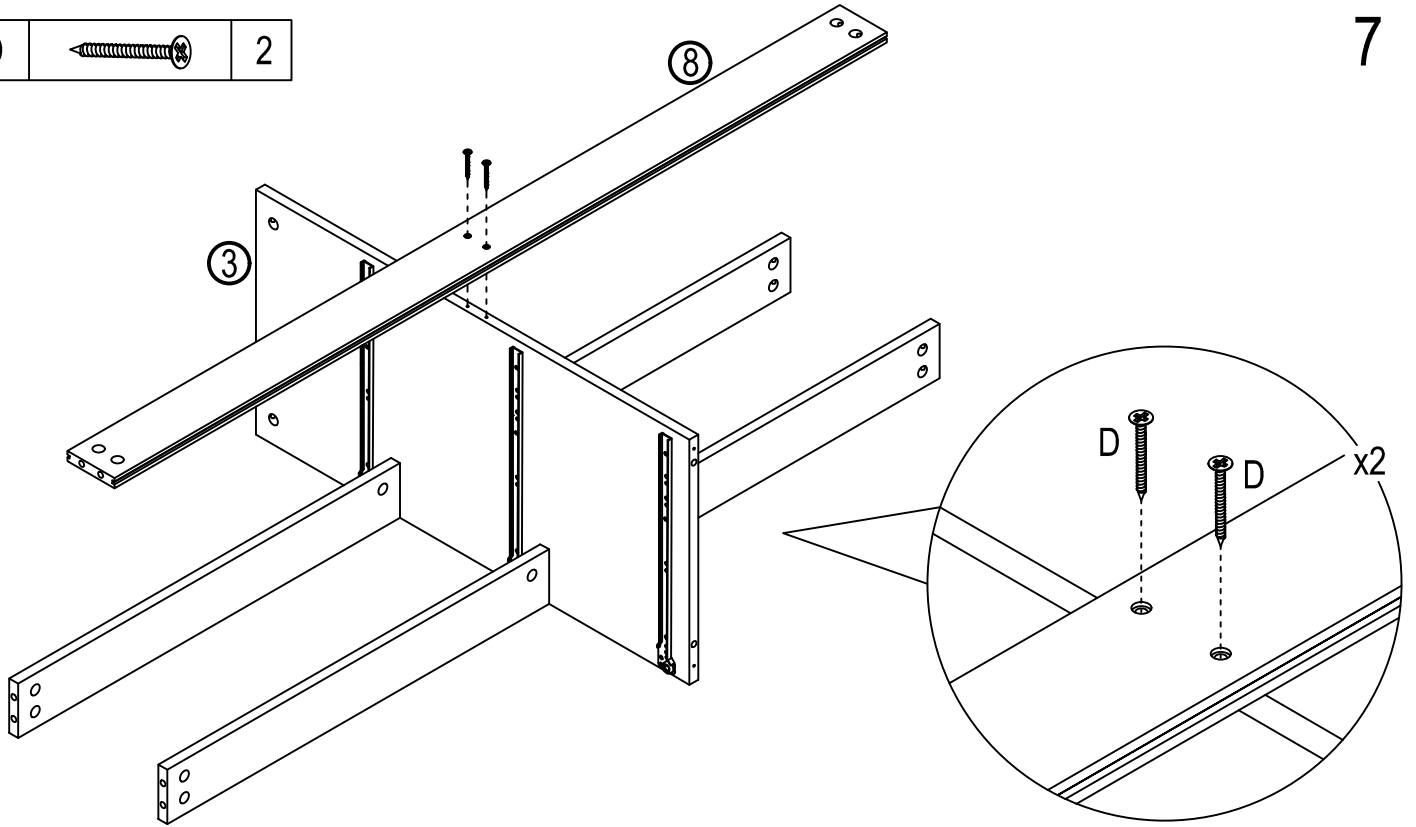
I		2
---	---	---



6



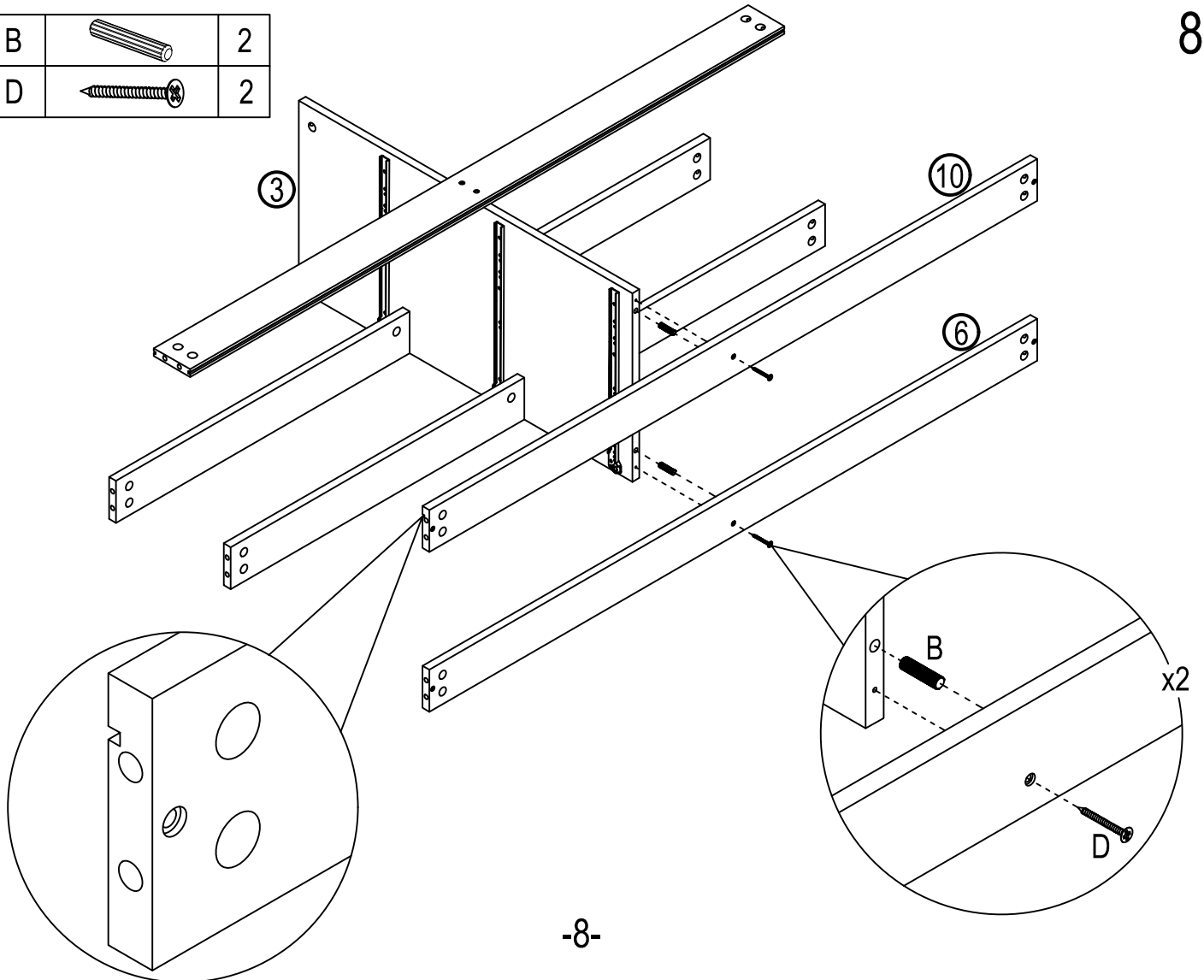
D		2
---	---	---

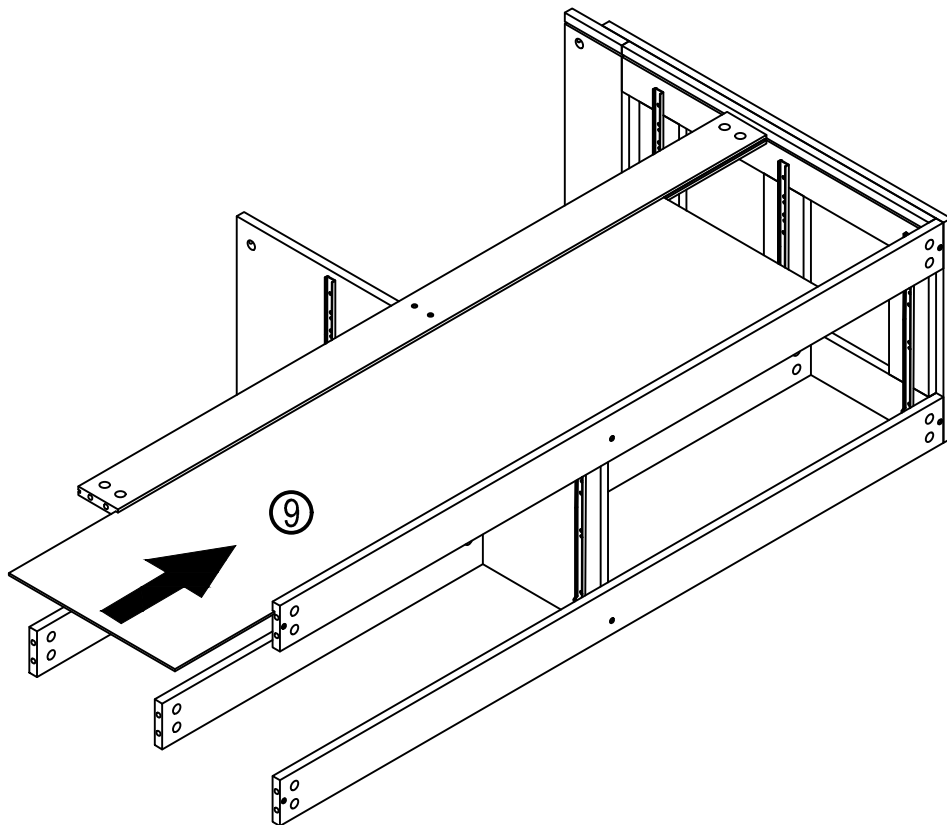
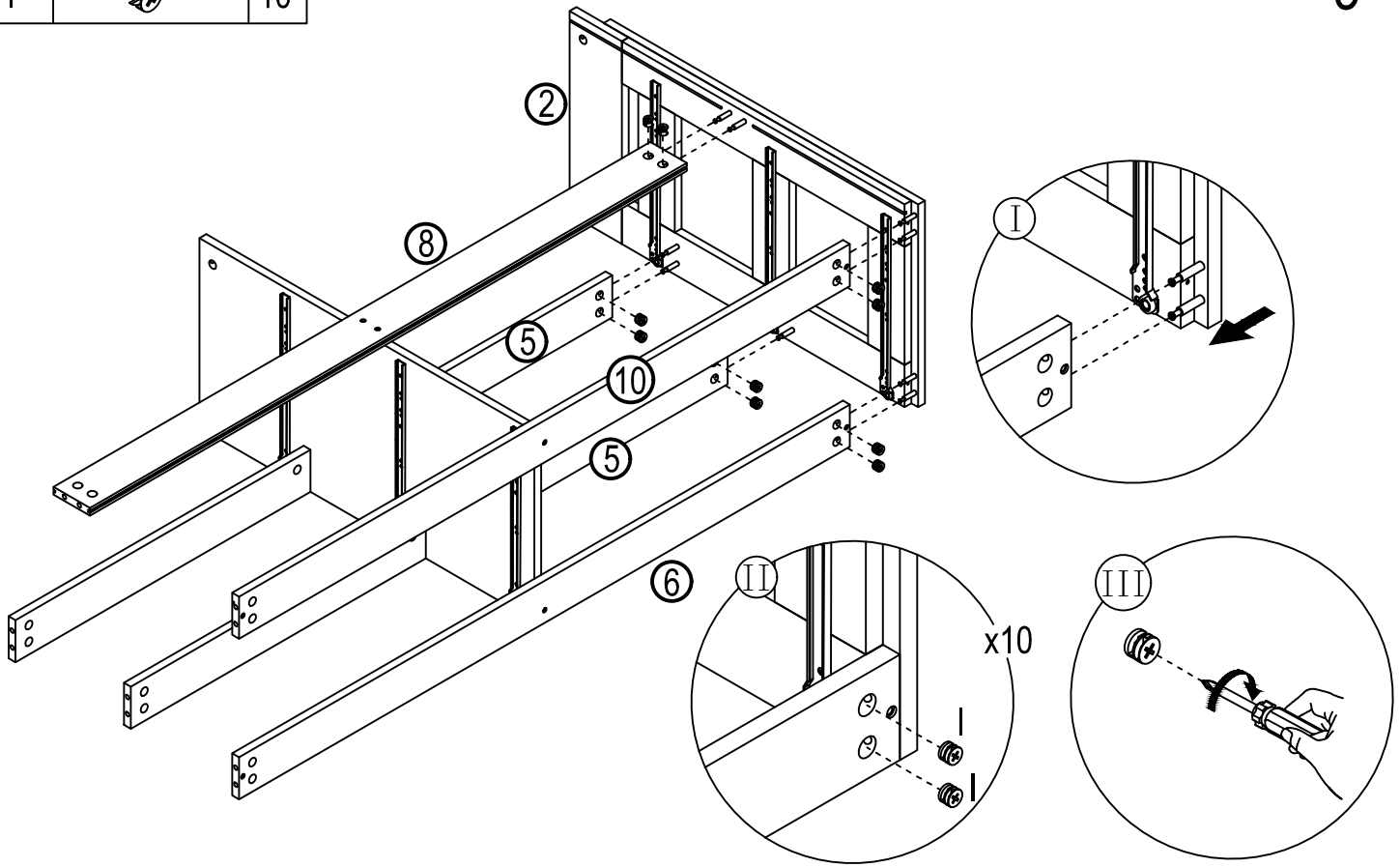
7



B		2
D		2

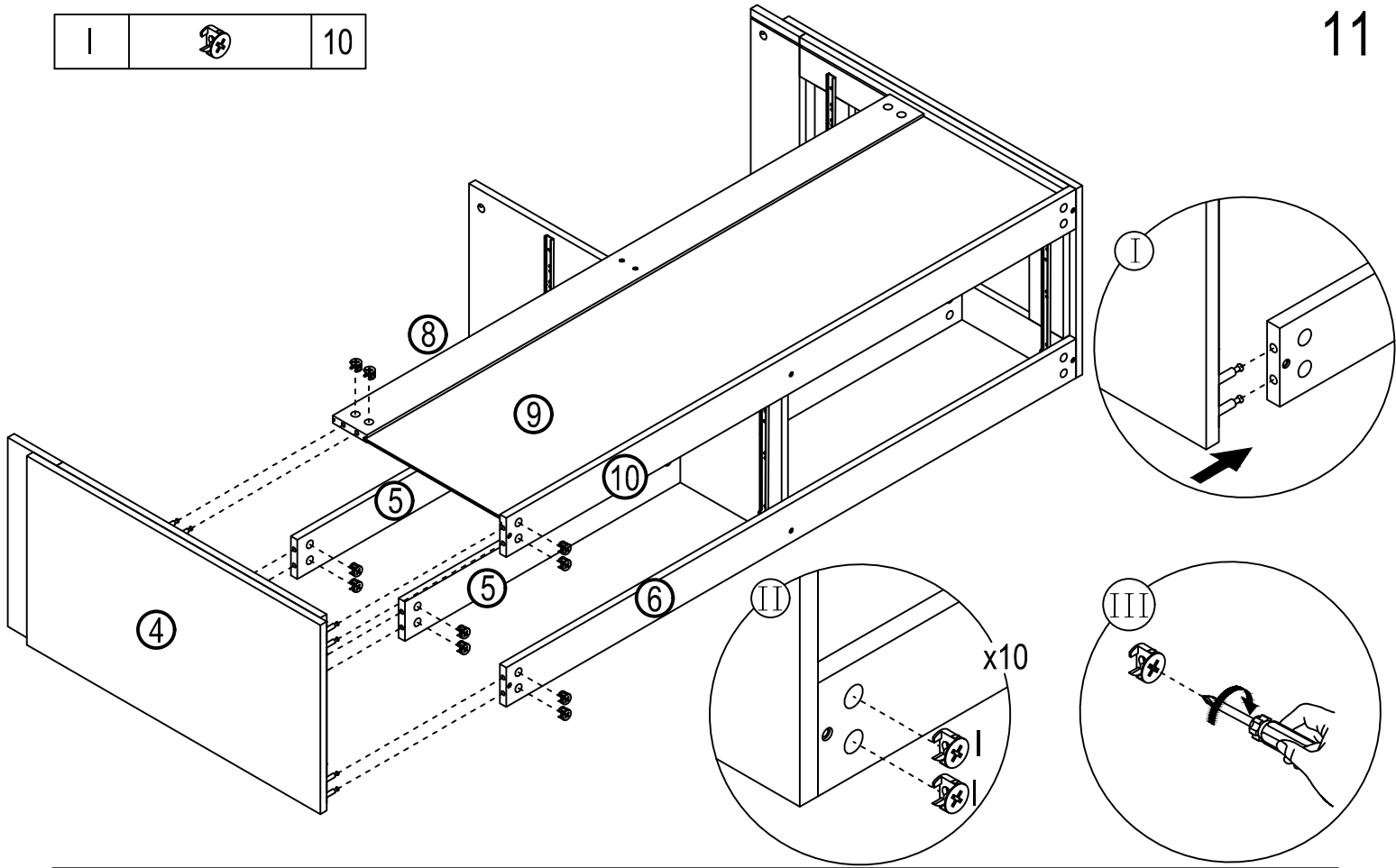
8






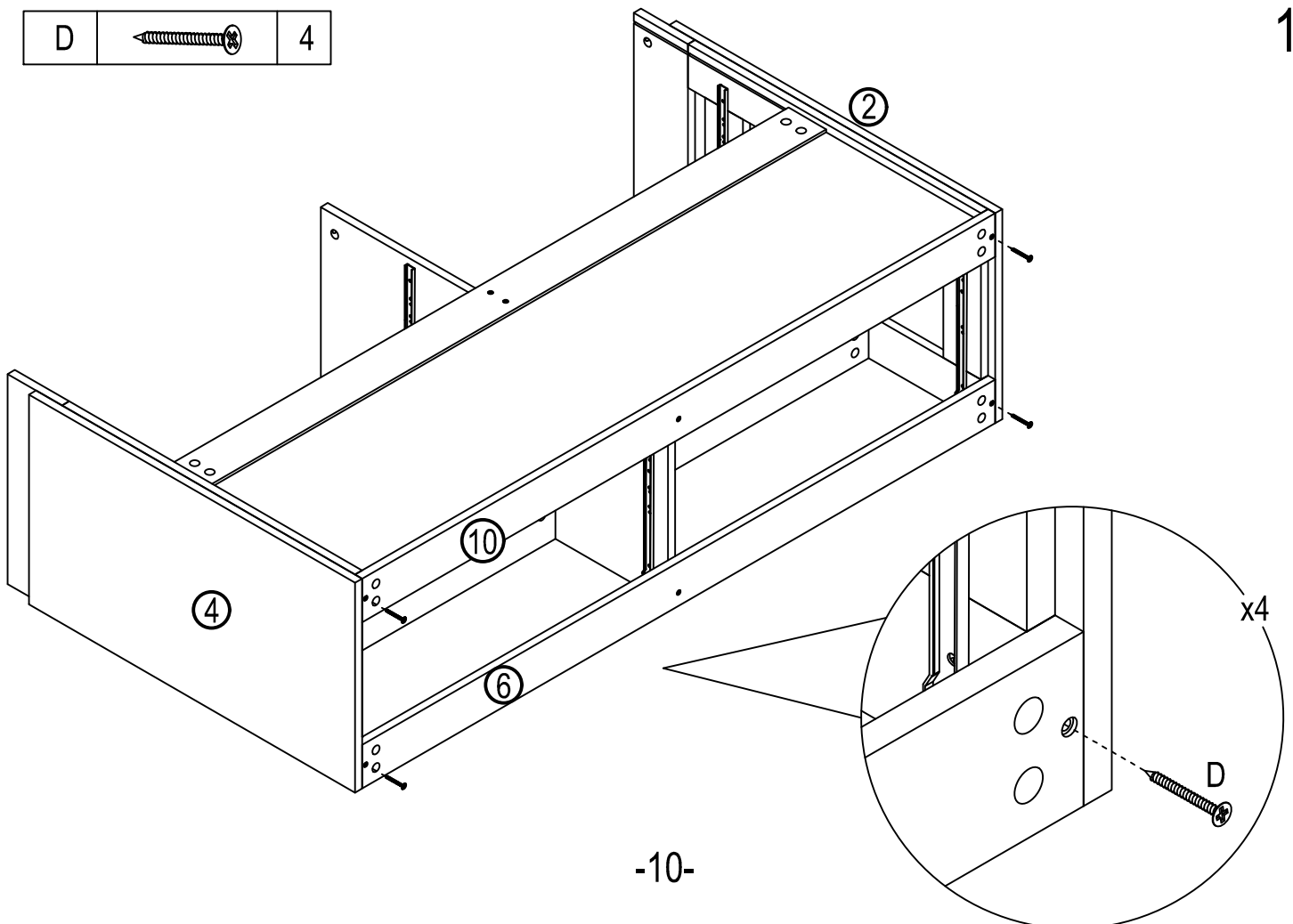
I		10
---	---	----

11



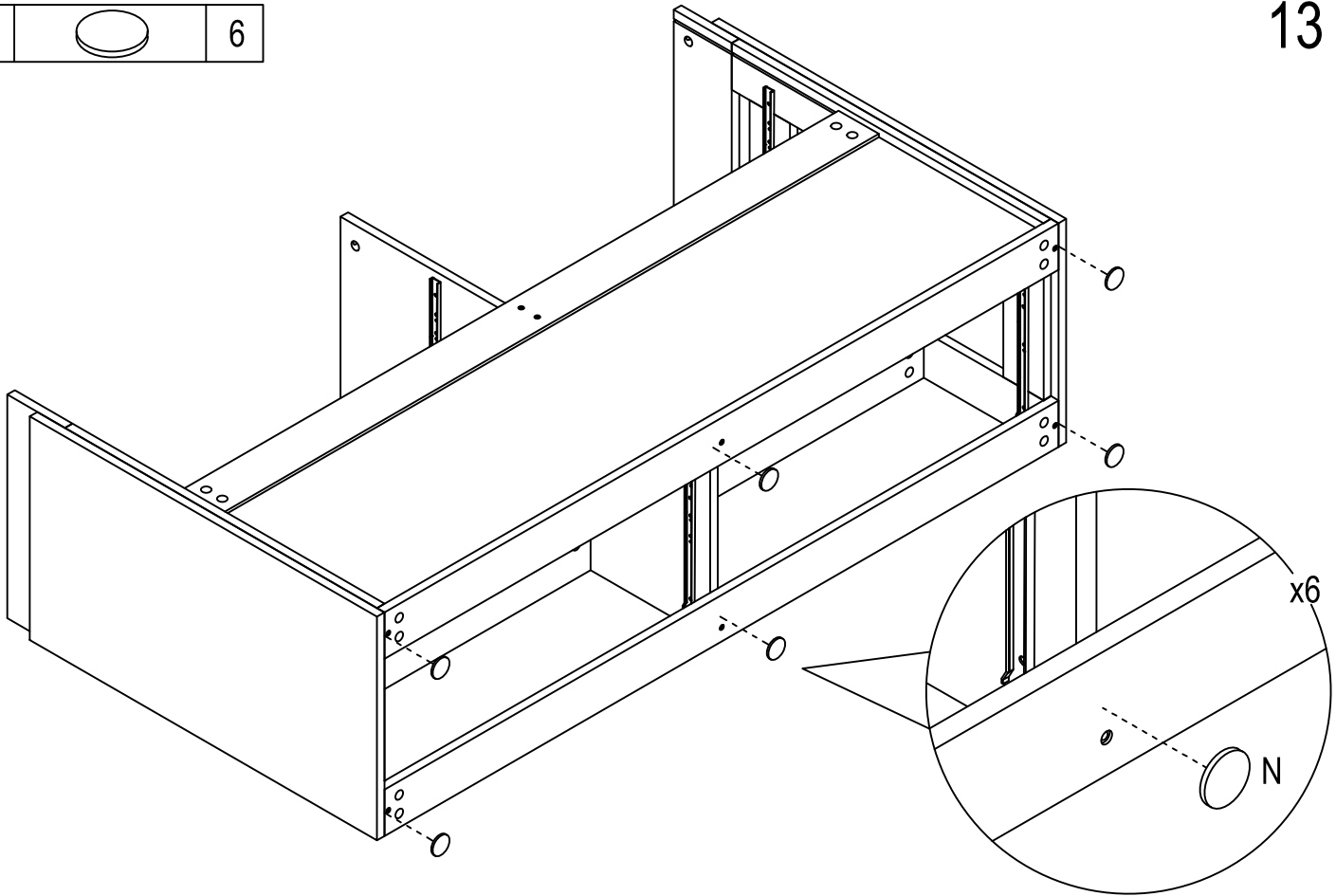
D		4
---	---	---

12

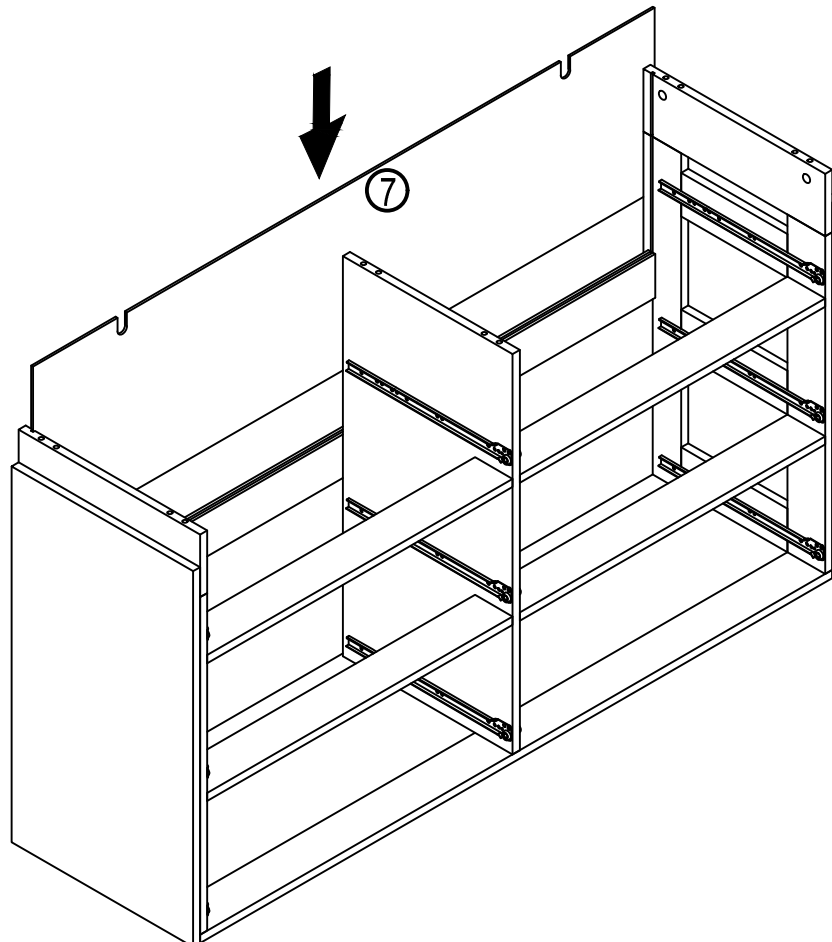


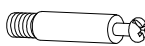

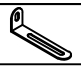


13



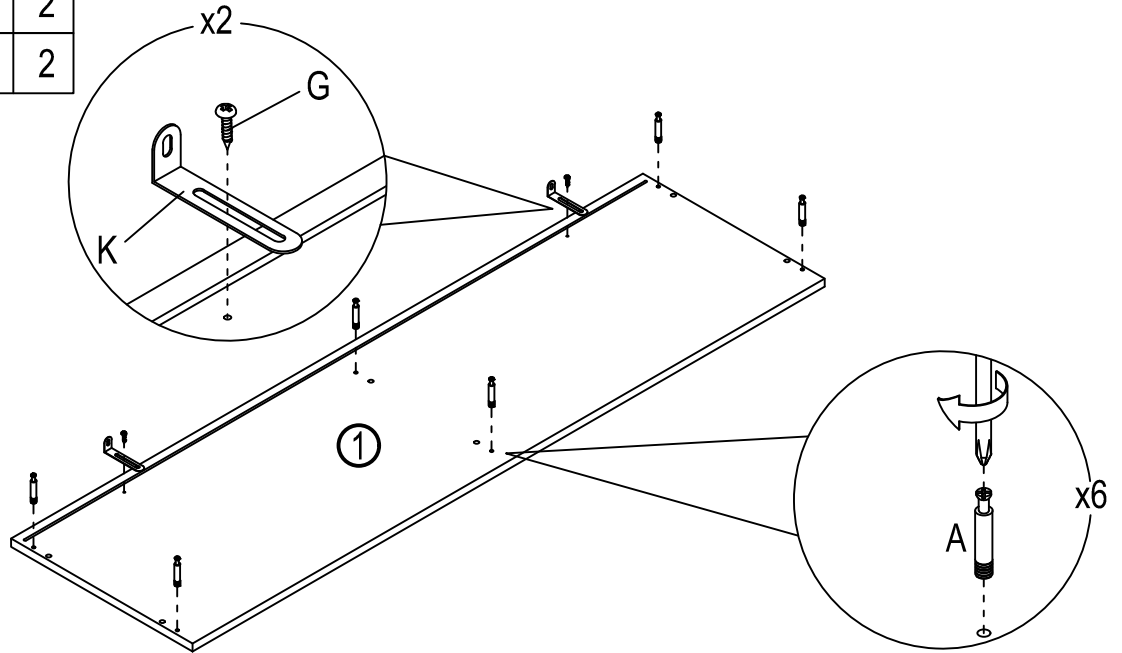
14





A		6
G		2
K		2

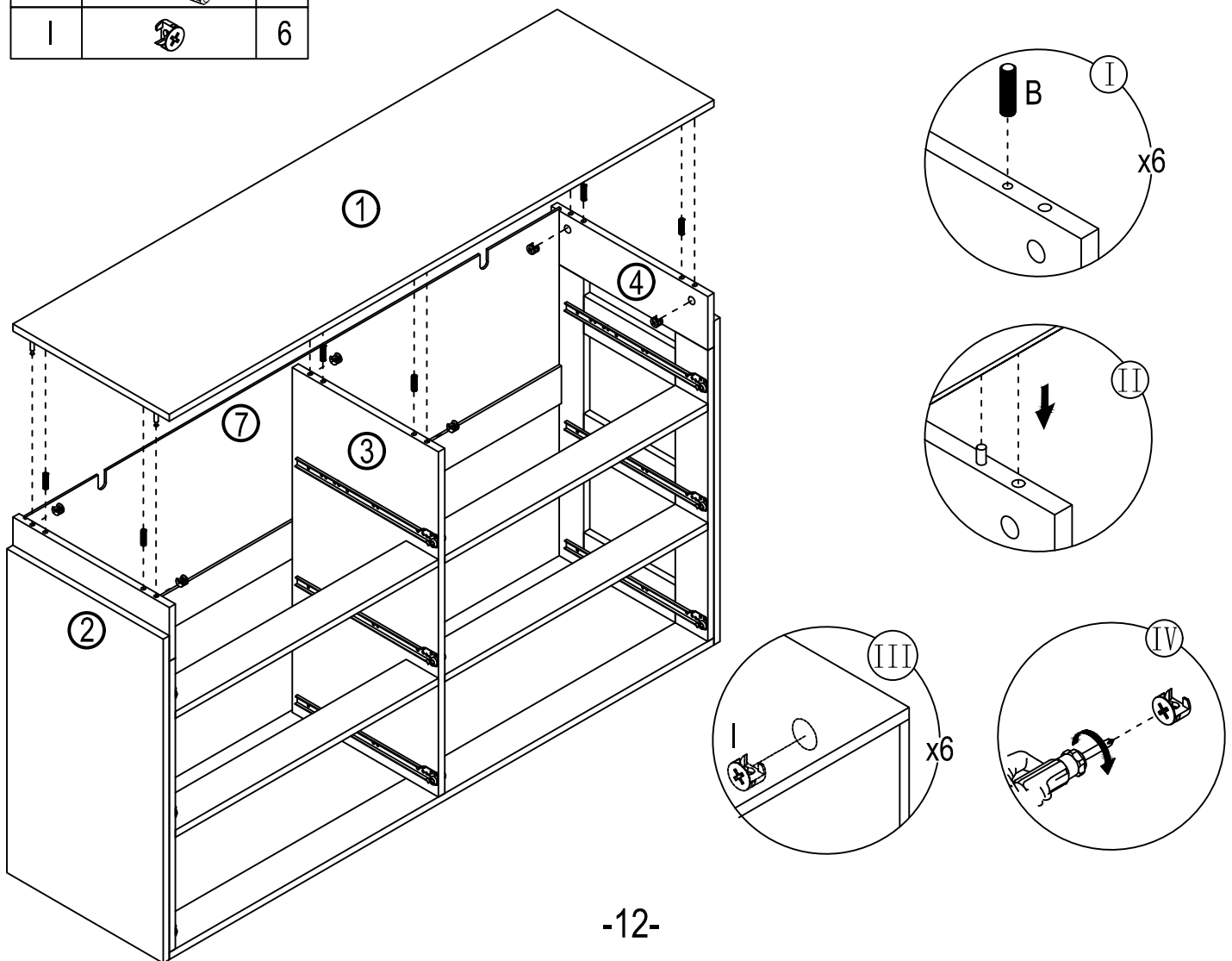
Secure the long side of the 'K' shaped metal plate to Board ① using one short 'G' screw.



15

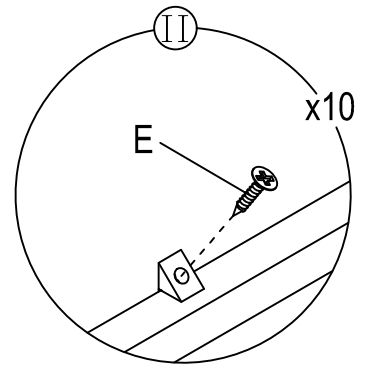
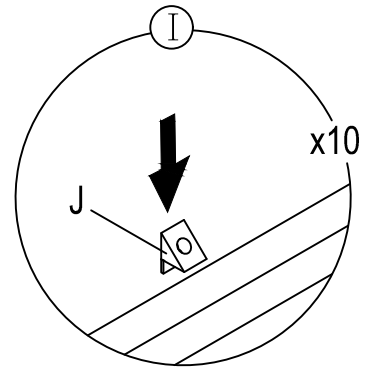
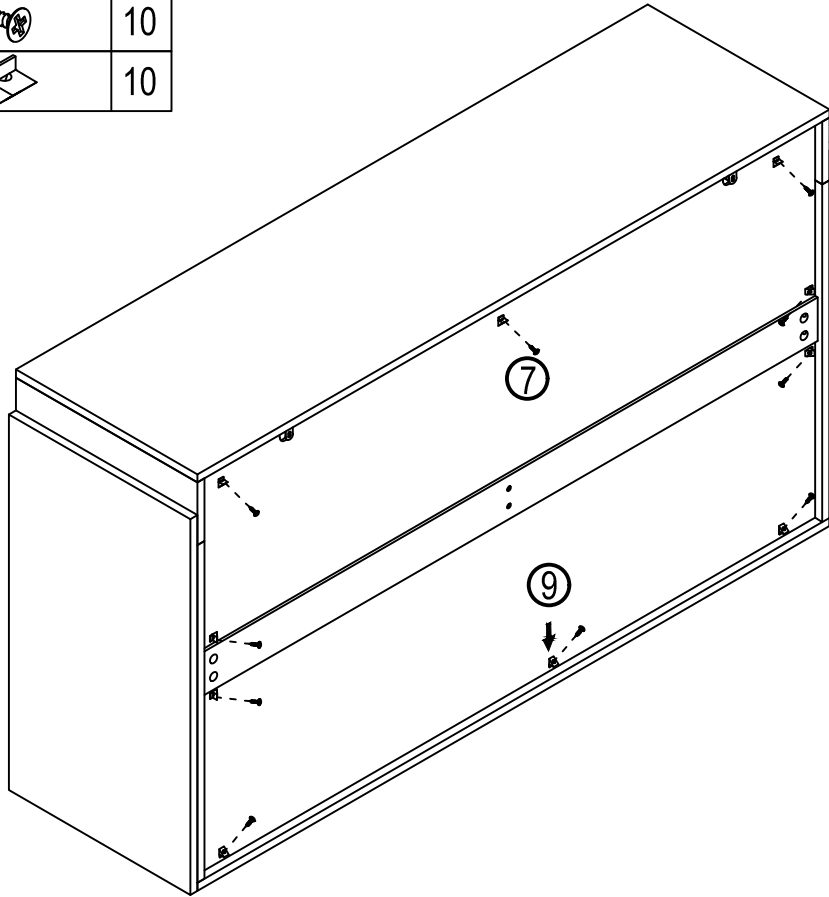



B		6
I		6

16

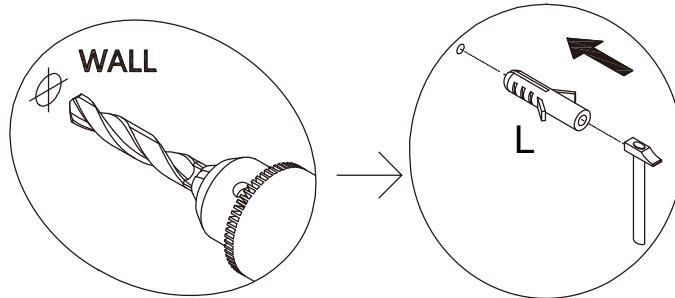
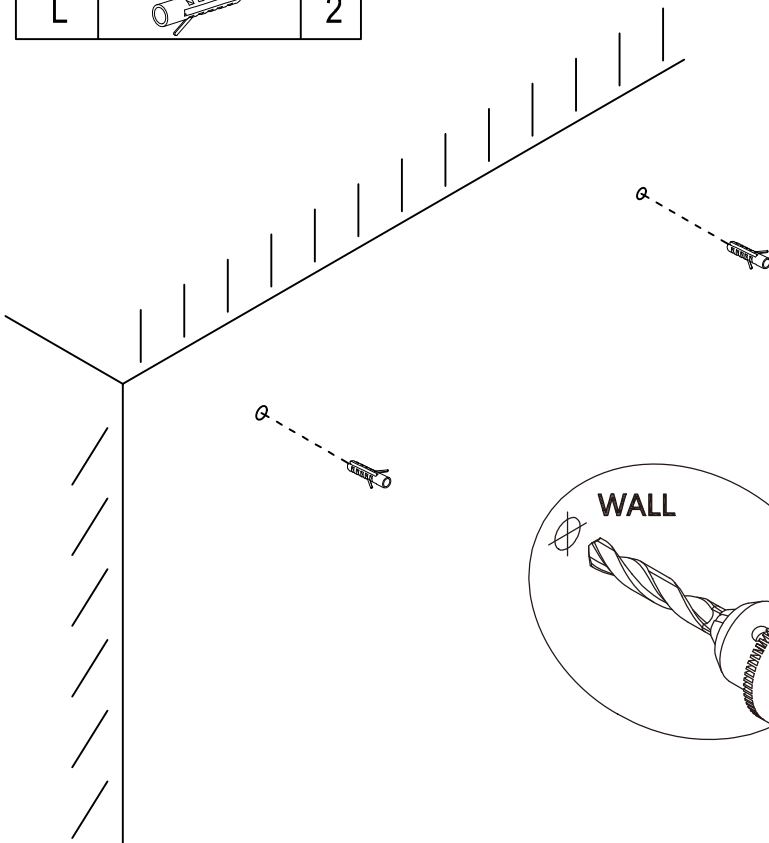


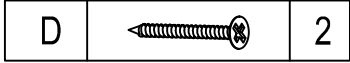
E		10
J		10



L		2
---	---	---

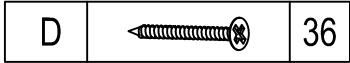
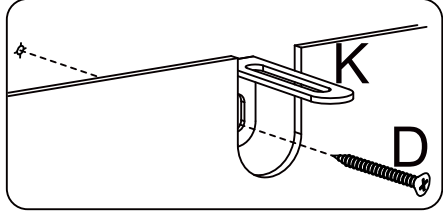
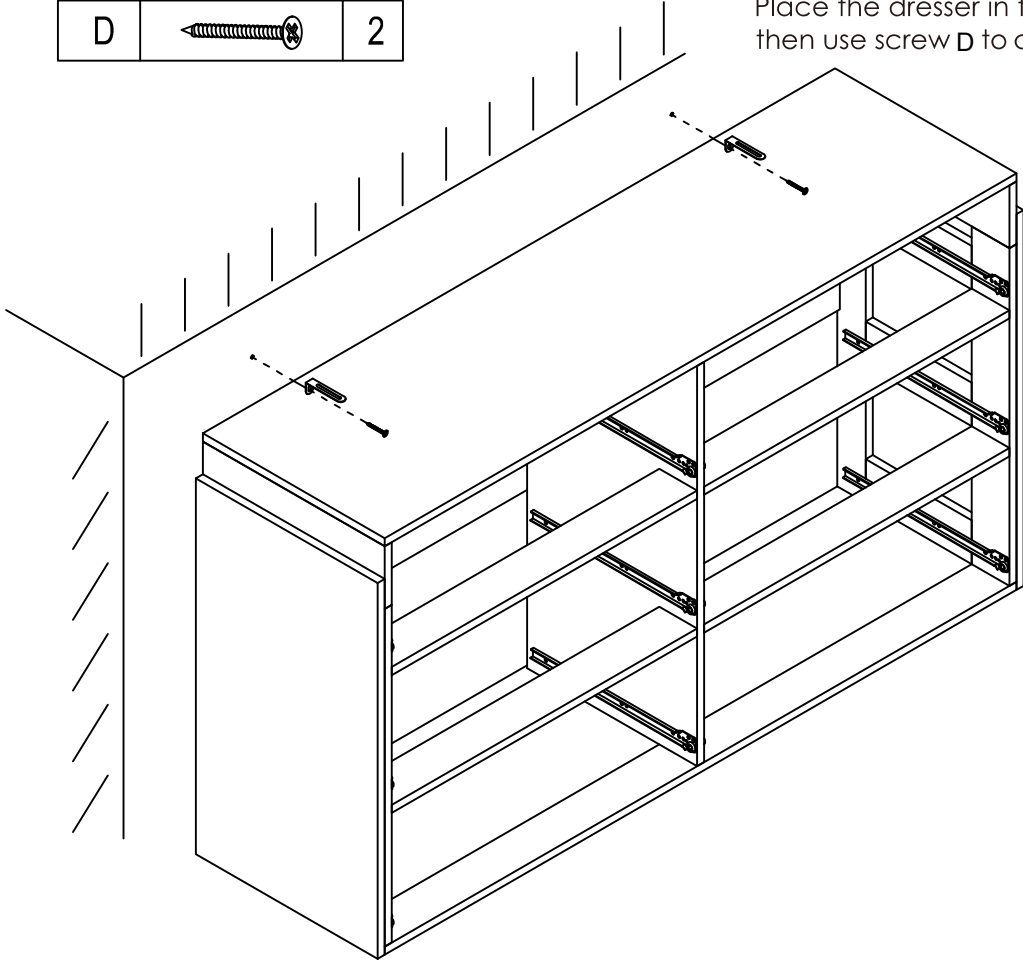
Drill two holes in the wall at the marked position for installing the anti-tip device.



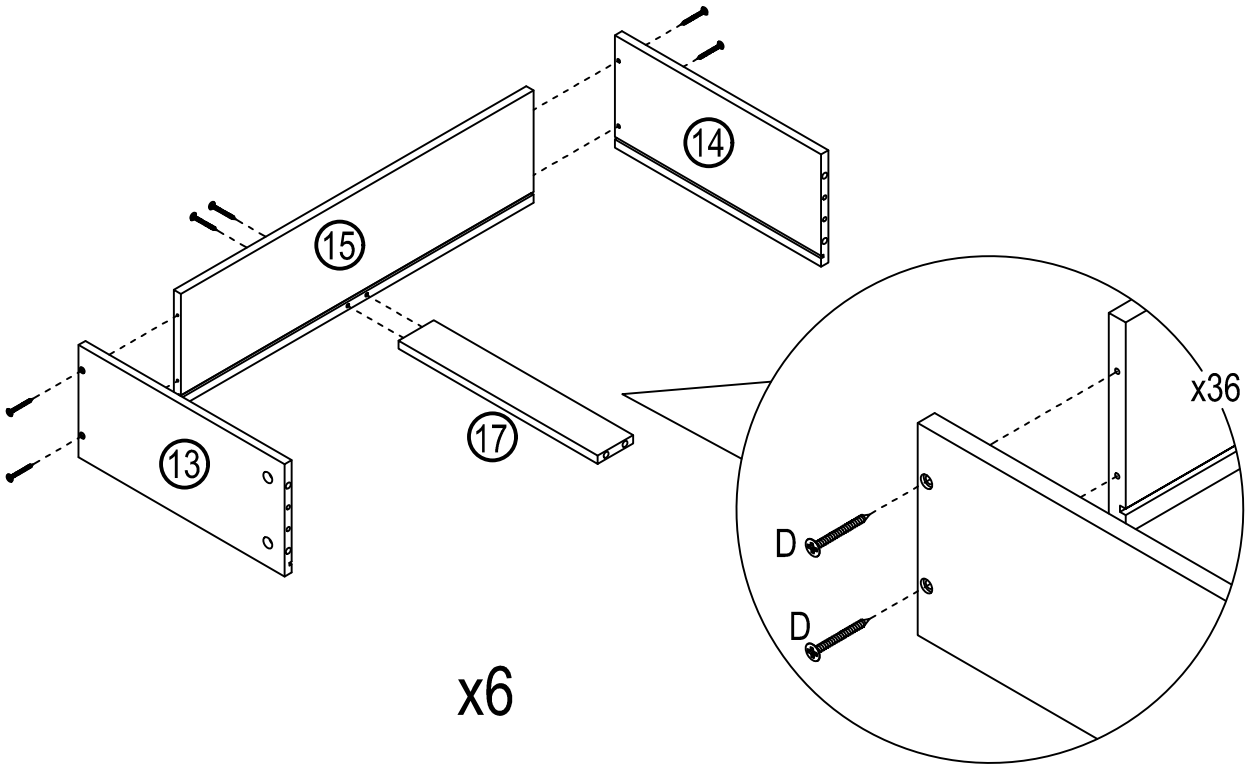


Place the dresser in the desired position, then use screw D to anchor it securely to the wall.

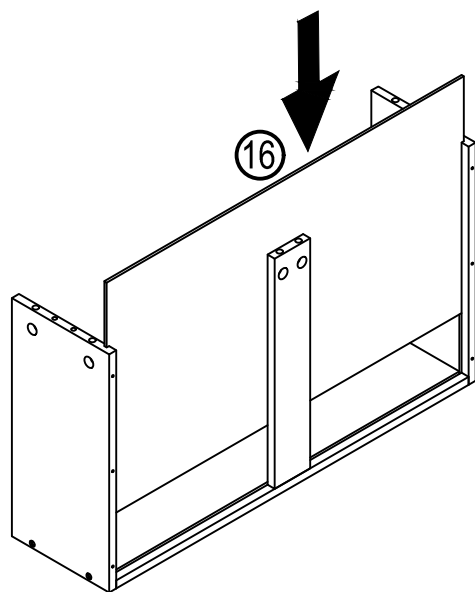
19



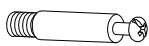


20

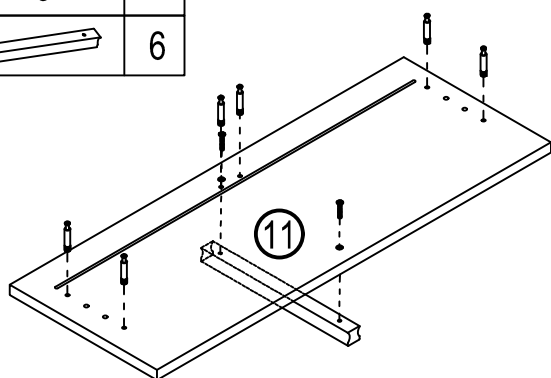


x6

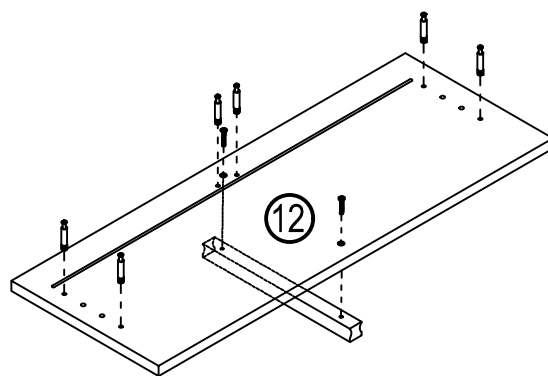


x6

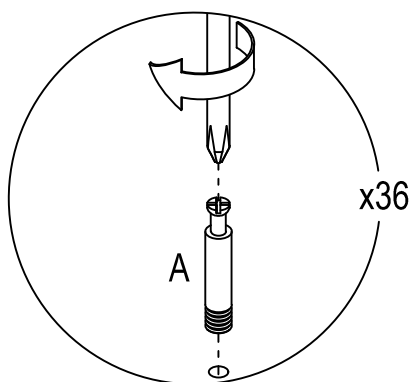
A		36
H		12
M		6



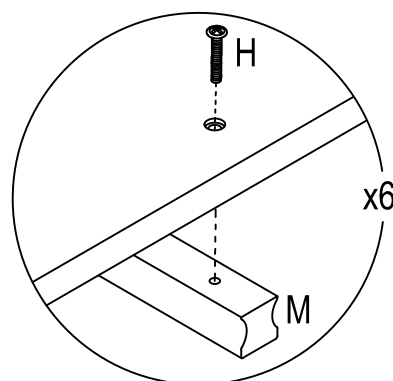
x3





x3

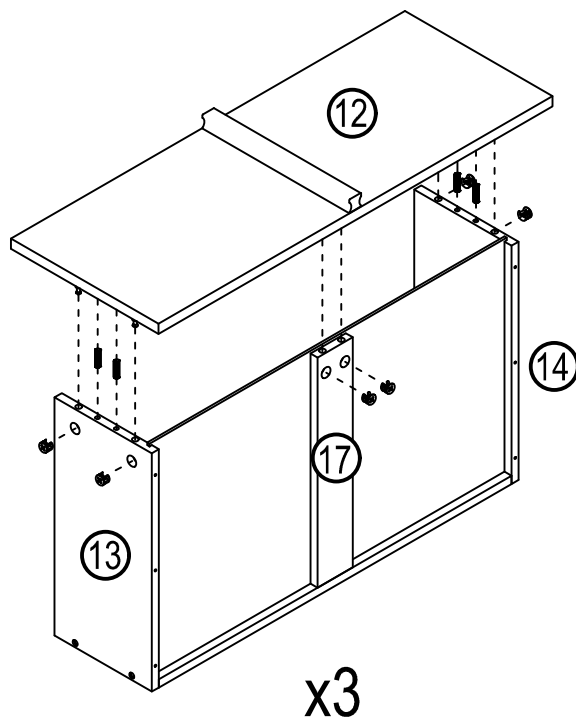
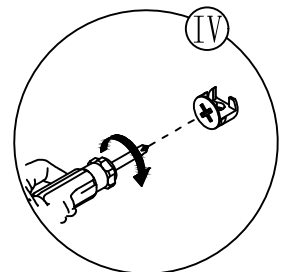
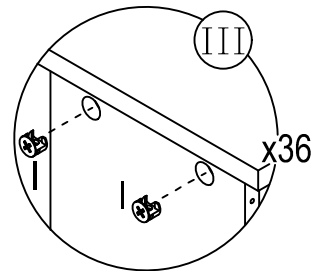
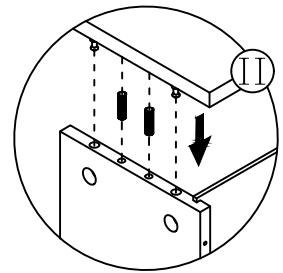
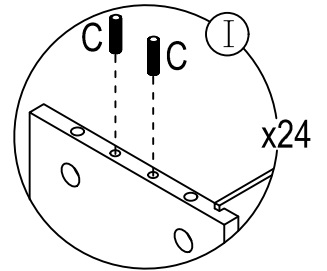
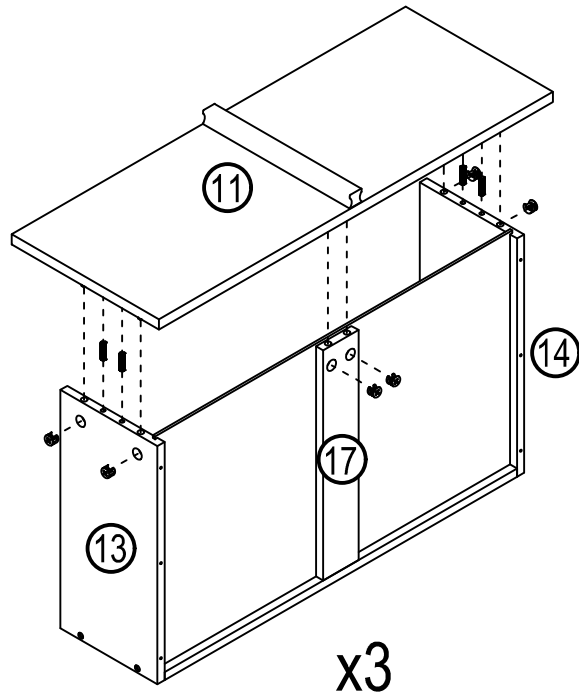





x36

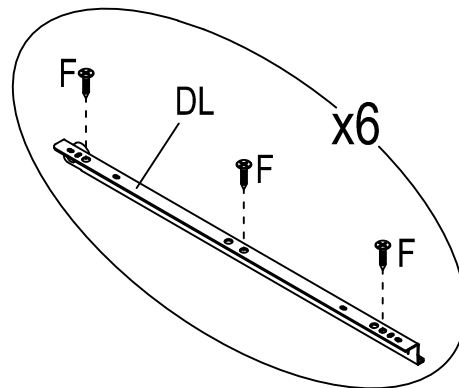
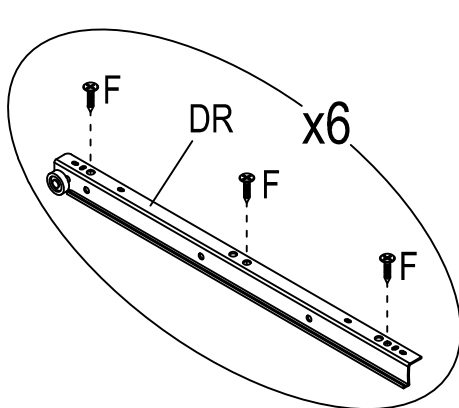
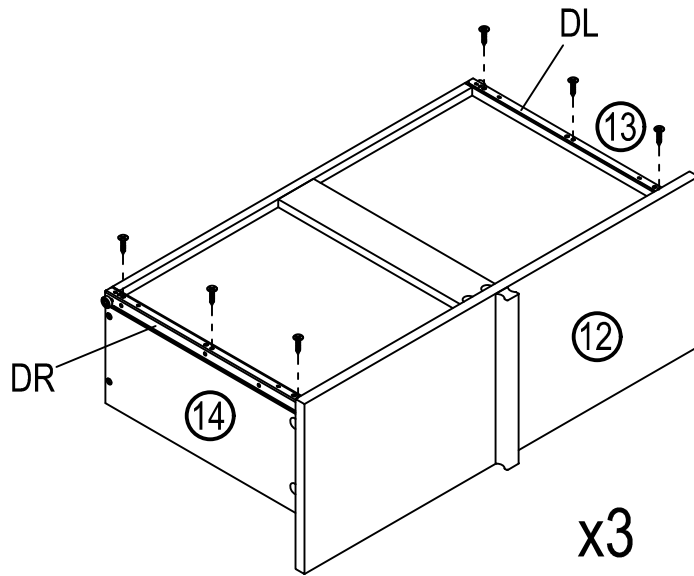
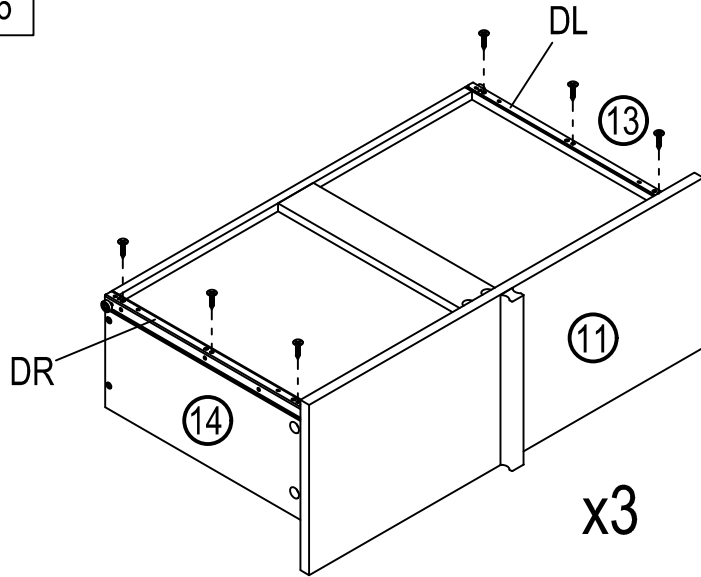


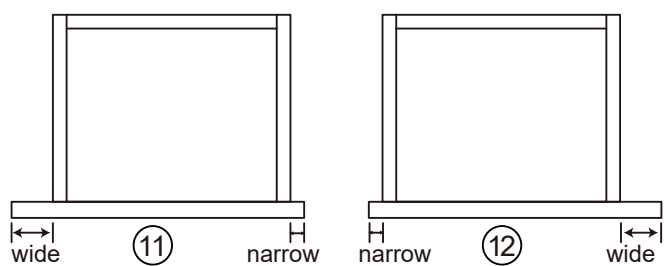
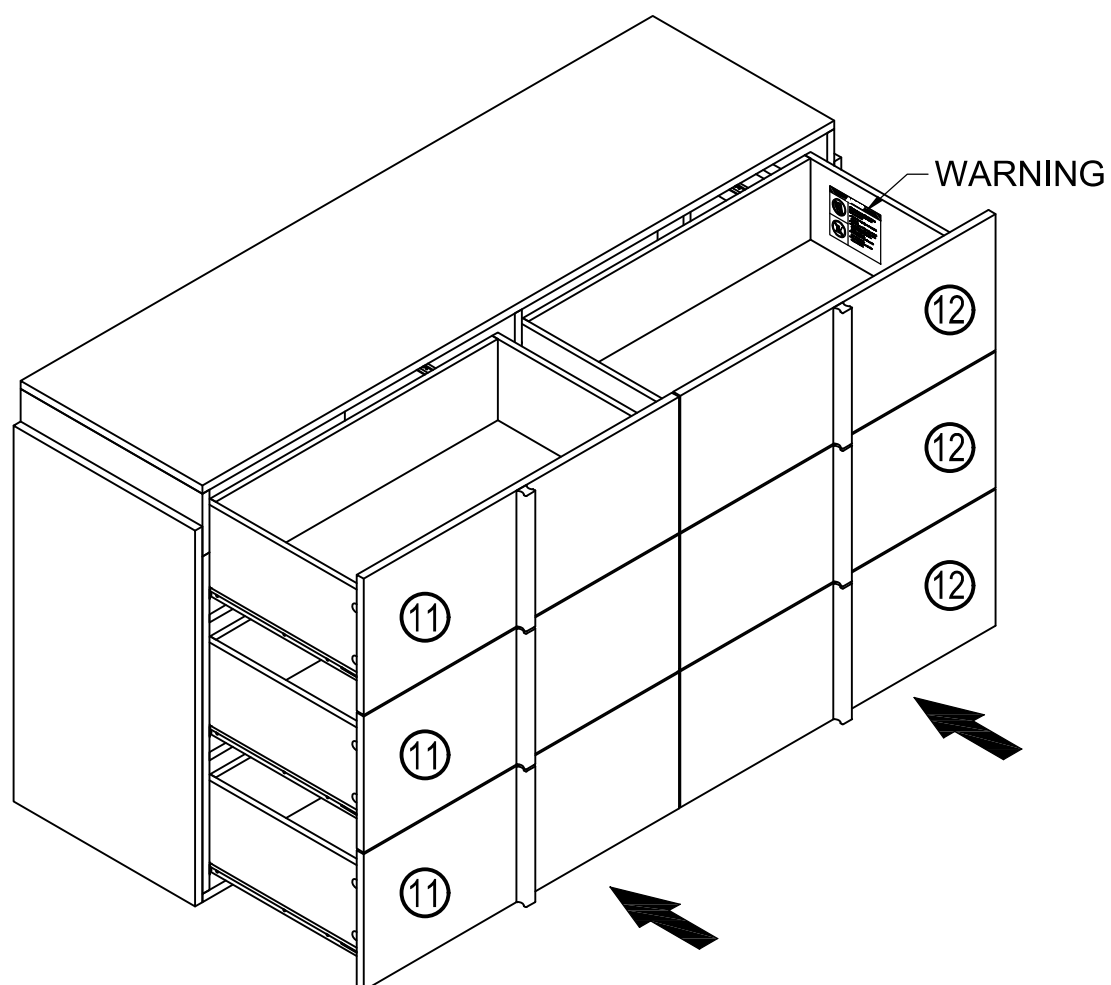
x6

I		36
C		24

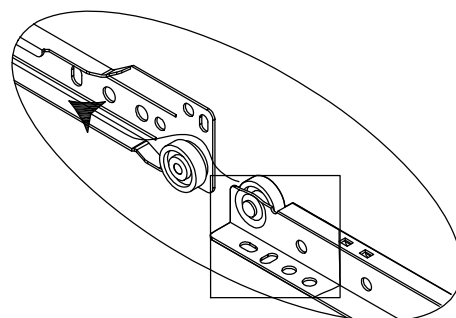
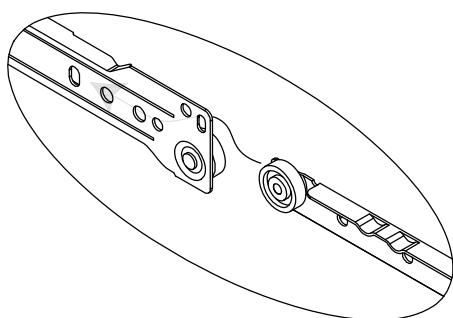


F		36
DL		6
DR		6





Make sure parts #11 are for the left drawer and #12 are for the right drawer.



⚠ WARNING

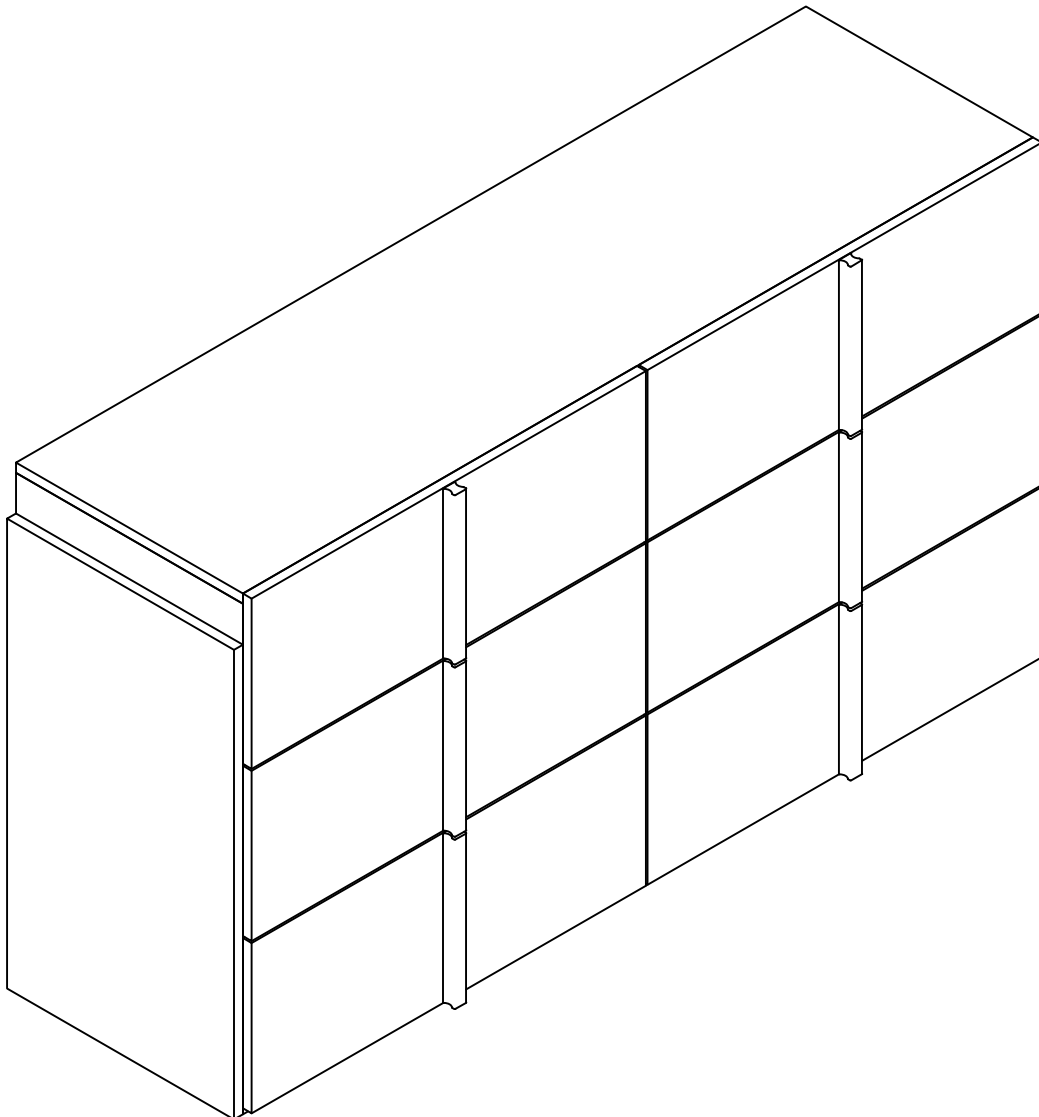


Children have died from furniture tipover. To reduce the risk of furniture tipover:

- **ALWAYS** install Anti-tip device provided.
- **NEVER** put a TV on this product.
- **NEVER** allow children to stand, climb or hang on any drawers, doors, or shelves.
- **NEVER** open more than one drawer at a time.
- Place heaviest items in the lowest drawers.



***This is a permanent label.
Do not remove!***



SAFETY FIRST, STYLE ALWAYS

Thank you for choosing our products. To ensure safety and performance, please follow these instructions:

- **Assembly:** Carefully follow instructions and tighten all parts.
- **Intended Use:** Use furniture as intended and adhere to weight limits.
- **Handling:** Move gently and check for loose parts regularly.
- **Tipping:** Tall or unstable furniture may tip over if not secured, especially in homes with children or pets.
- **Overloading:** Exceeding weight limits can lead to collapse or damage.
- **Sharp Edges:** Handle furniture with sharp corners carefully, especially around children.

MAINTENANCE & CLEANING TIPS

- **Regular Cleaning:** Use a soft, dry cloth to wipe the surface of cabinet regularly. Avoid harsh chemical cleaners.
- **Protect from Sunlight:** Keep cabinet out of direct sunlight to prevent damage to the material and finish.

DON'T WORRY, WE'VE GOT YOUR BACK.

We don't just sell furniture — we're here for the long haul! If you run into any issues due to manufacturing defects or material problems, we offer a 1-year warranty. That means we'll replace any faulty parts for free — no hassle.