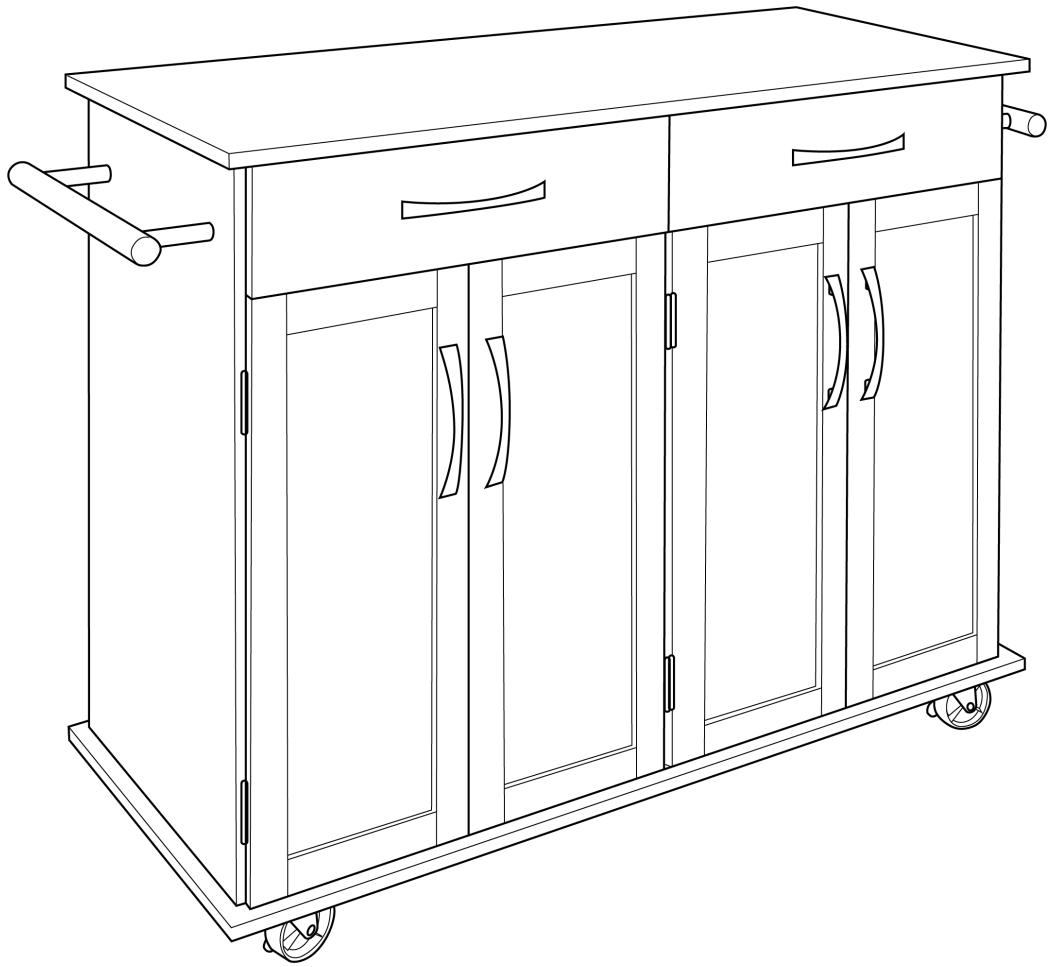


# Kitchen Trolley



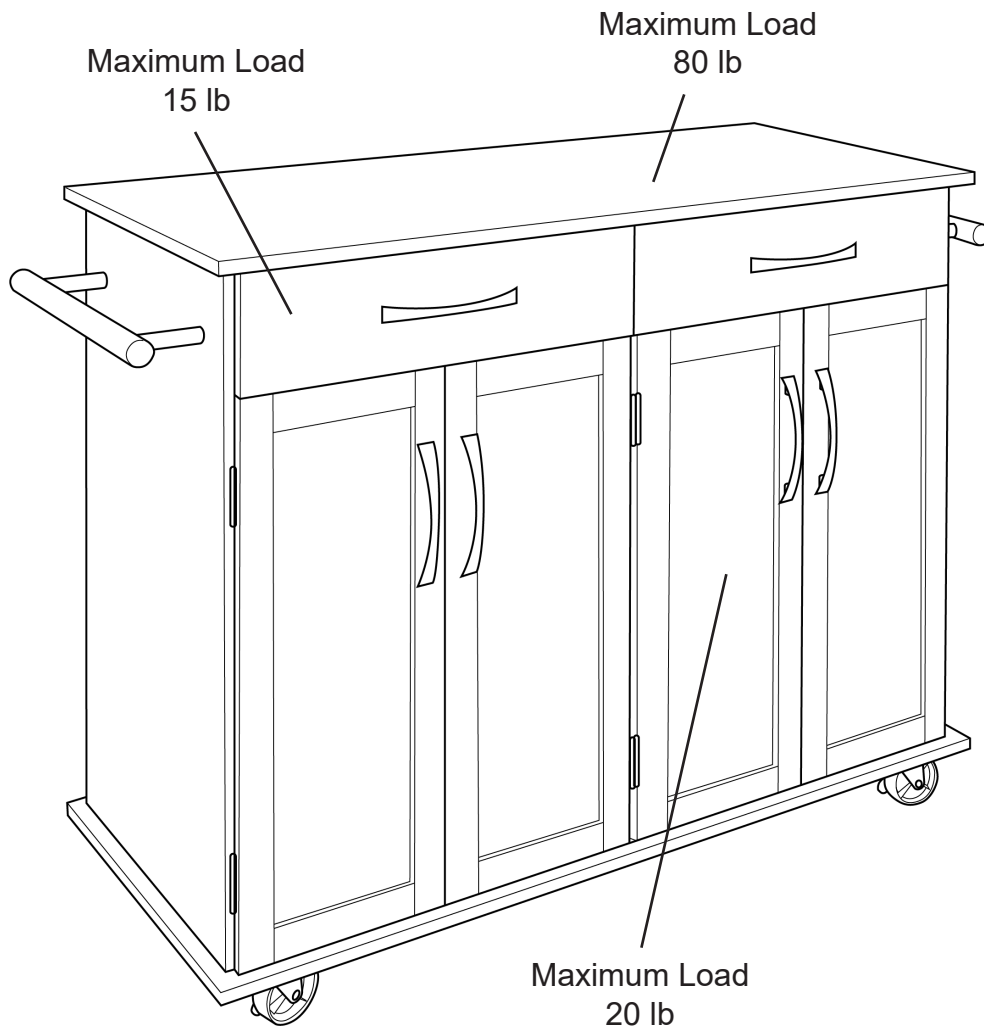


Estimated time for assembly:

**120 mins**



Weight limitations are as follows:





Assemble the furniture on an empty carton, carpet, or rug to prevent scratches or damage.

For safety, please keep pets and children away from the assembly area.

Ensure the product is fully assembled before use. If you are missing any hardware or products, do not use it until you have restored the missing parts.



This furniture requires 2 people for assembly.

Read this instruction manual prior to assembly to familiarize yourself with the various steps.

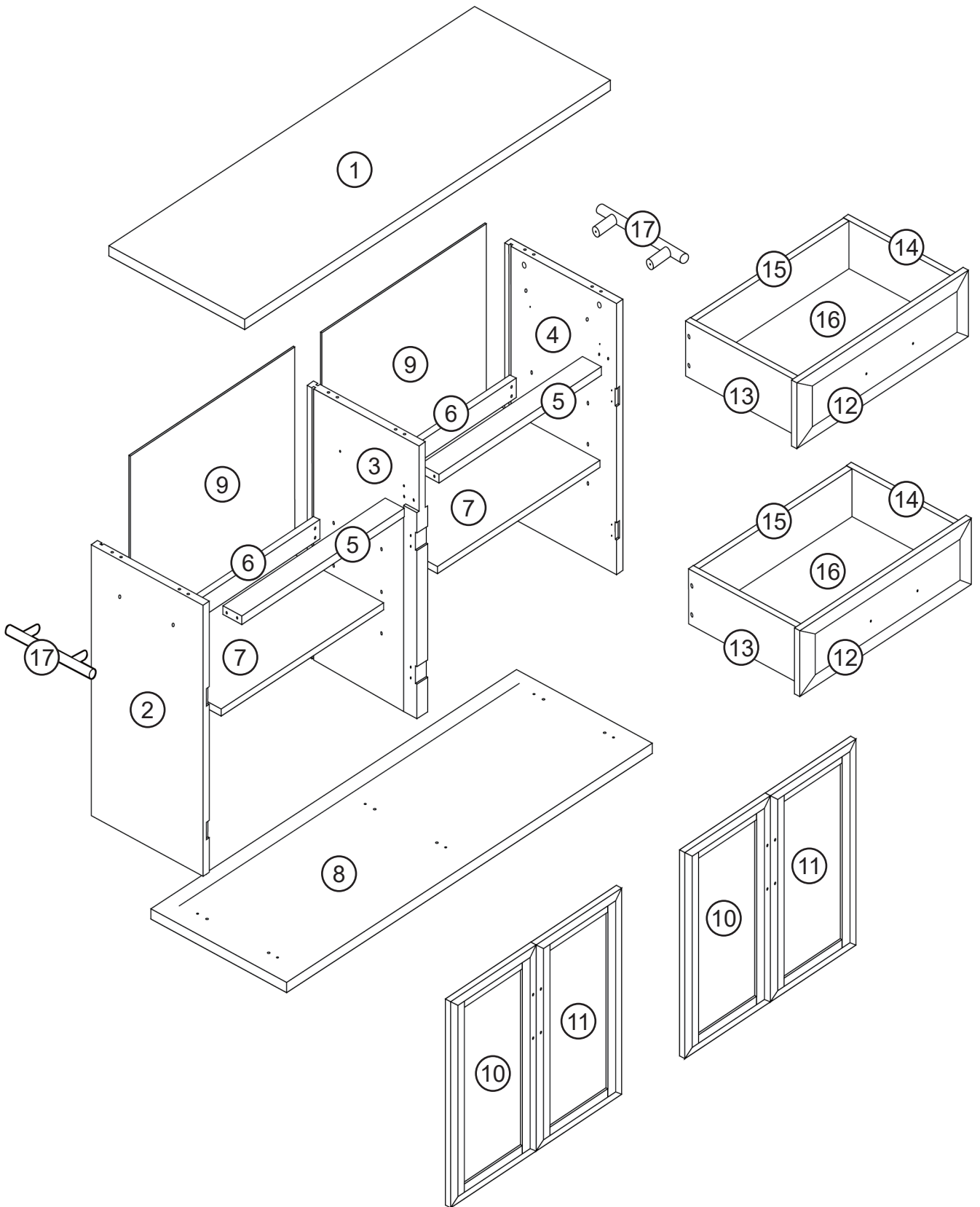
Lay out all components and hardware separately on a flat surface and make sure that no parts are missing or damaged before assembly. Do not destroy or discard any packaging until you are certain that you have all the necessary parts for assembly.

## **CAUTION**

There are small components used in the construction of this product. Loose items should be kept away from pets and children to avoid a choking hazard.

Keep all plastic bags and packaging film away from pets and children to avoid suffocation.

# PACKAGE CONTENTS



## PACKAGE CONTENTS (A)

CODE	DESCRIPTION	QTY
1	Top Panel	1
2	Left Panel	1
3	Center Panel	1
4	Right Panel	1
5	Drawer Crossbar	2
6	Back Crossbar	2
7	Storage Shelf	2
8	Bottom Panel	1
9	Back Panel	2
10	Left Cabinet Door	2
11	Right Cabinet Door	2
12	Drawer Front Panel	2
13	Drawer Left Panel	2
14	Drawer Right Panel	2
15	Drawer Back Panel	2
16	Drawer Bottom Panel	2
17	Handle	2

# PACKAGE CONTENTS

(A)



30x

(B)



30x

(C)



12x

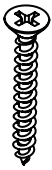
(D)



M3 x 12mm

52x

(E)



M4 x 30mm

8x

(F)



M3 x 14mm

8x

(G)



6x

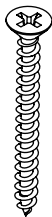
(H)



M4 x 18mm

12x

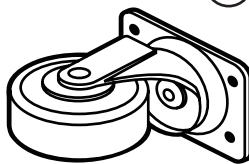
(I)



M4 x 35mm

10x

(J)



4x

(K)



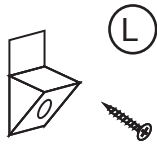
M5 x 12mm

16x



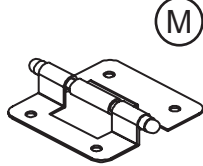
Install all hardware perpendicular to the opening.

# PACKAGE CONTENTS



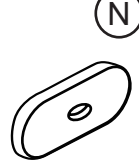
(L)

8x



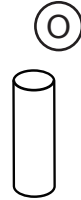
(M)

8x



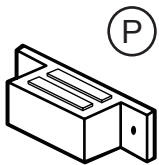
(N)

4x



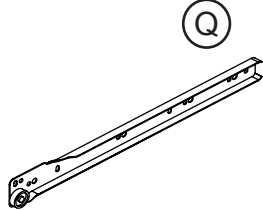
(O)

8x



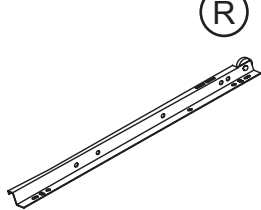
(P)

4x



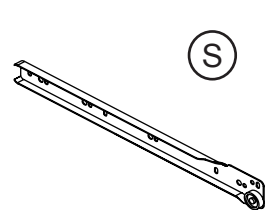
(Q)

2x



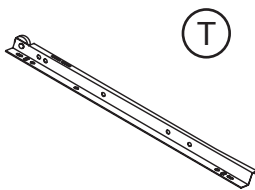
(R)

2x



(S)

2x



(T)

2x

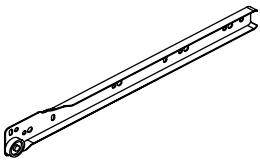
Required tools for assembly (Not included)



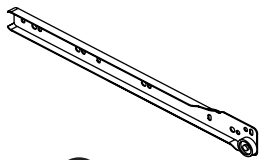
1



(D) 4x

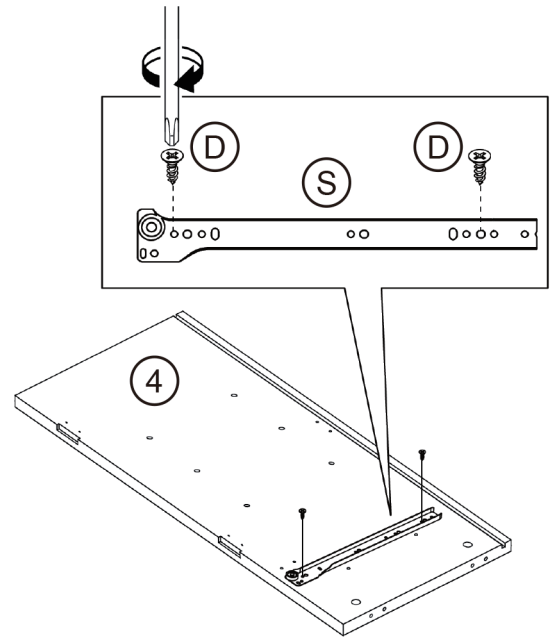
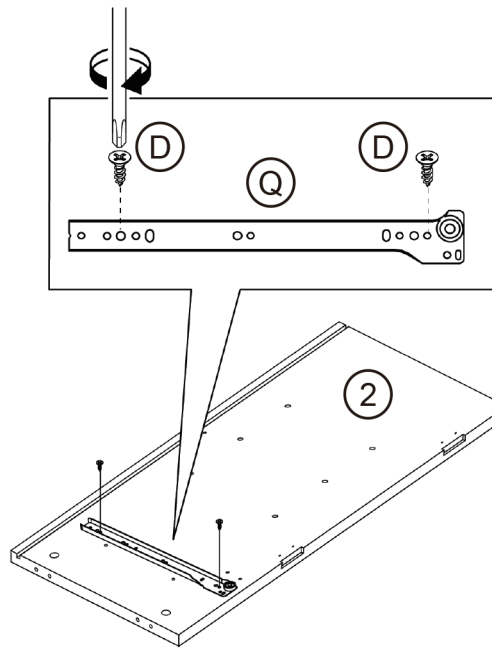


(Q) 1x



(S) 1x

Attach slider mounting brackets to the side panels.

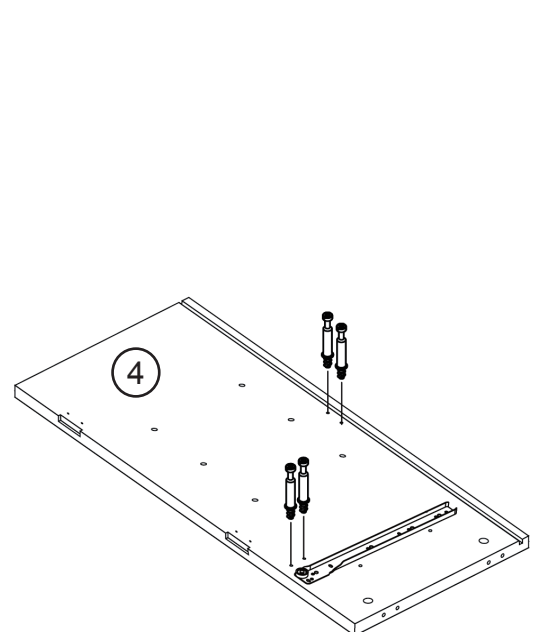
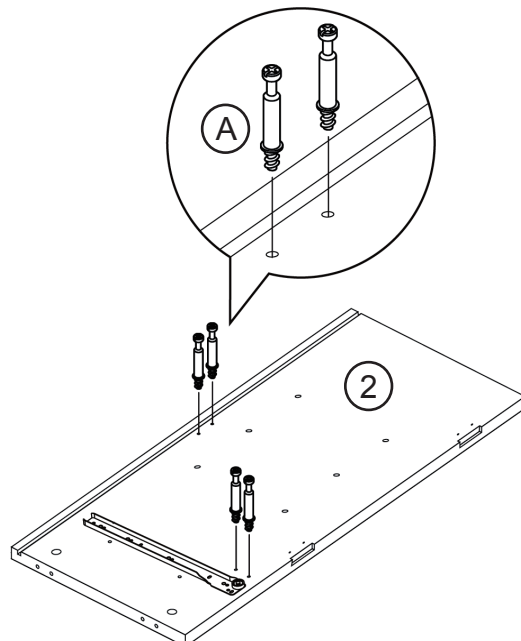


2



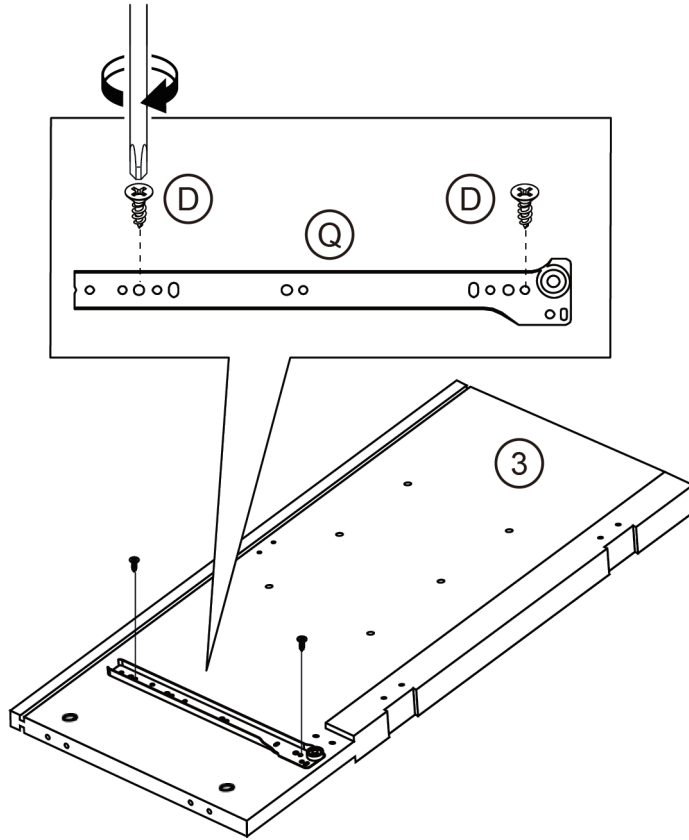
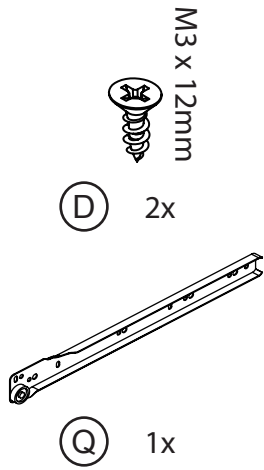
(A) 8x

Attach cam bolts to the side panels.



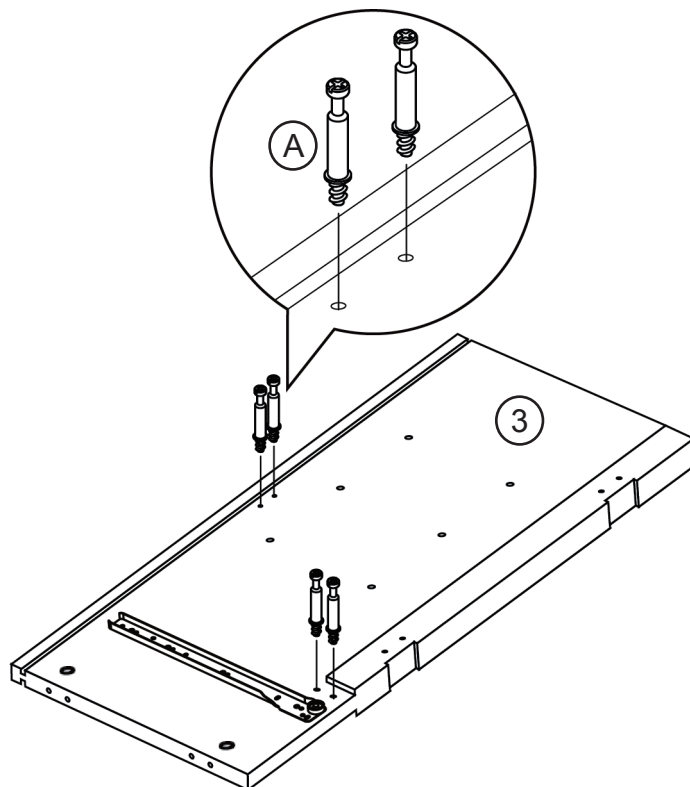
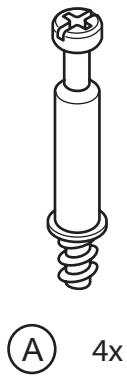
# 3

Attach slider mounting bracket to the right side of the center panel.



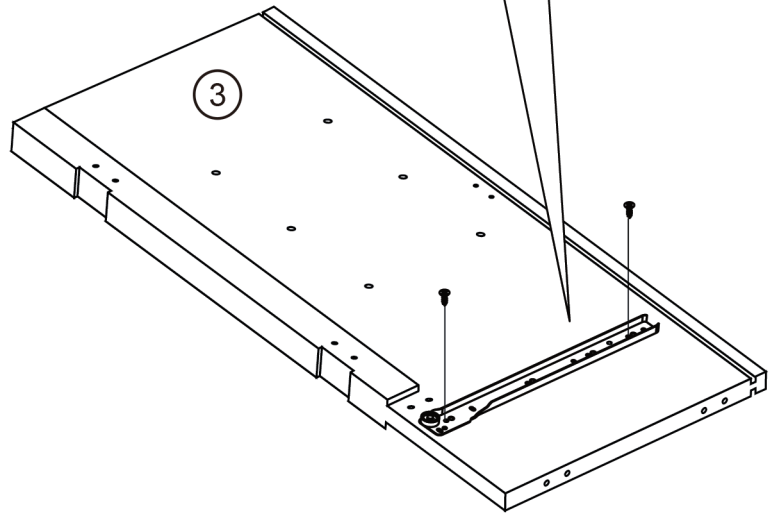
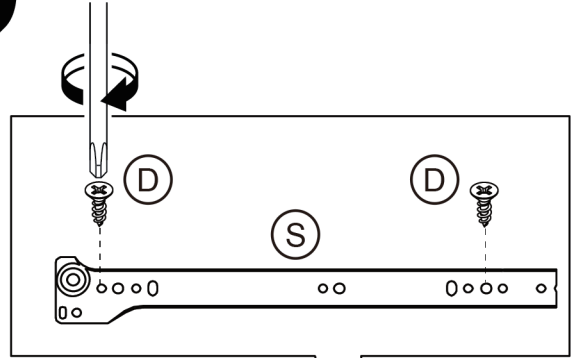
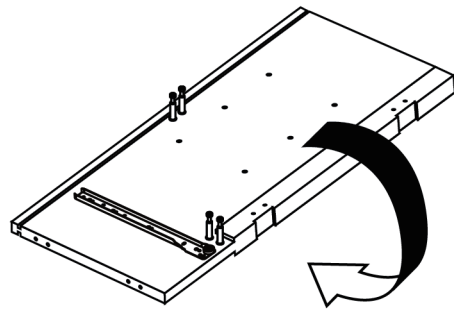
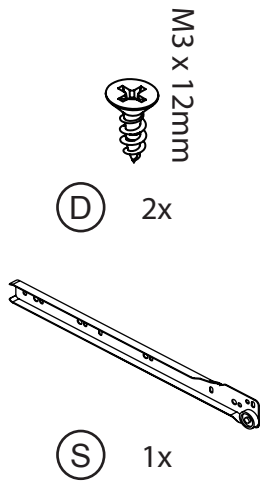
# 4

Attach cam bolts to the right side of the center panel.



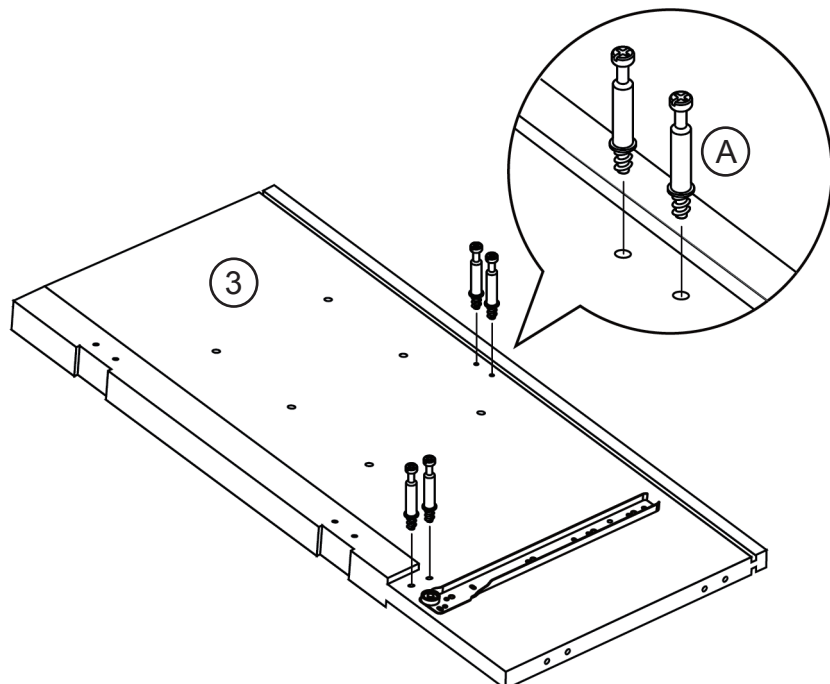
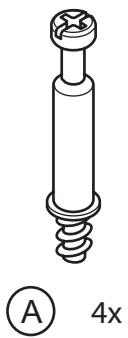
# 5

Attach slider mounting bracket to the left side of the center panel.



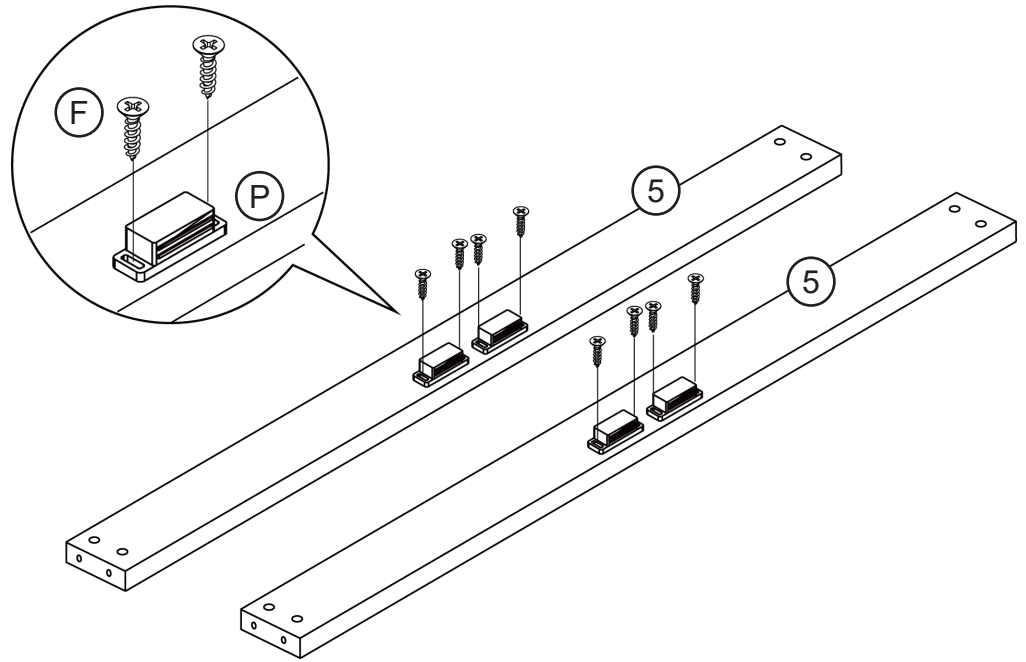
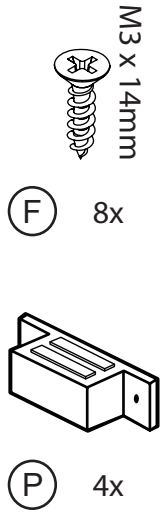
# 6

Attach cam bolts to the left side of the center panel.



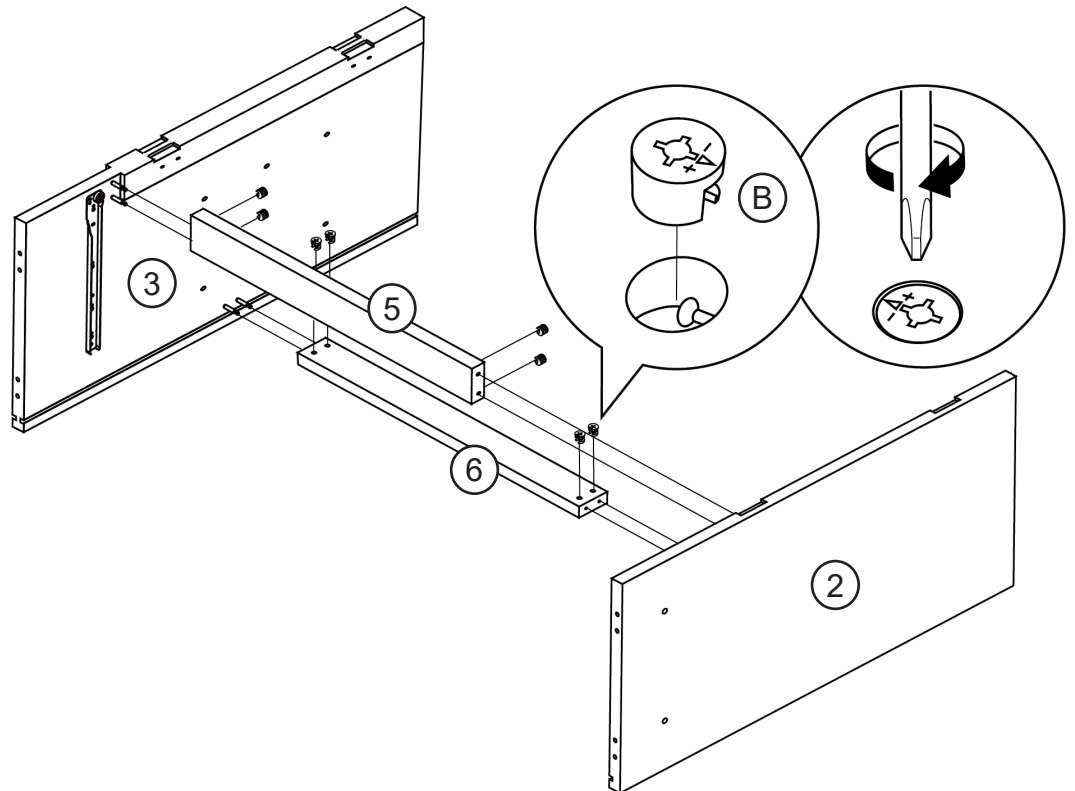
# 7

Attach the handle to the left legs.



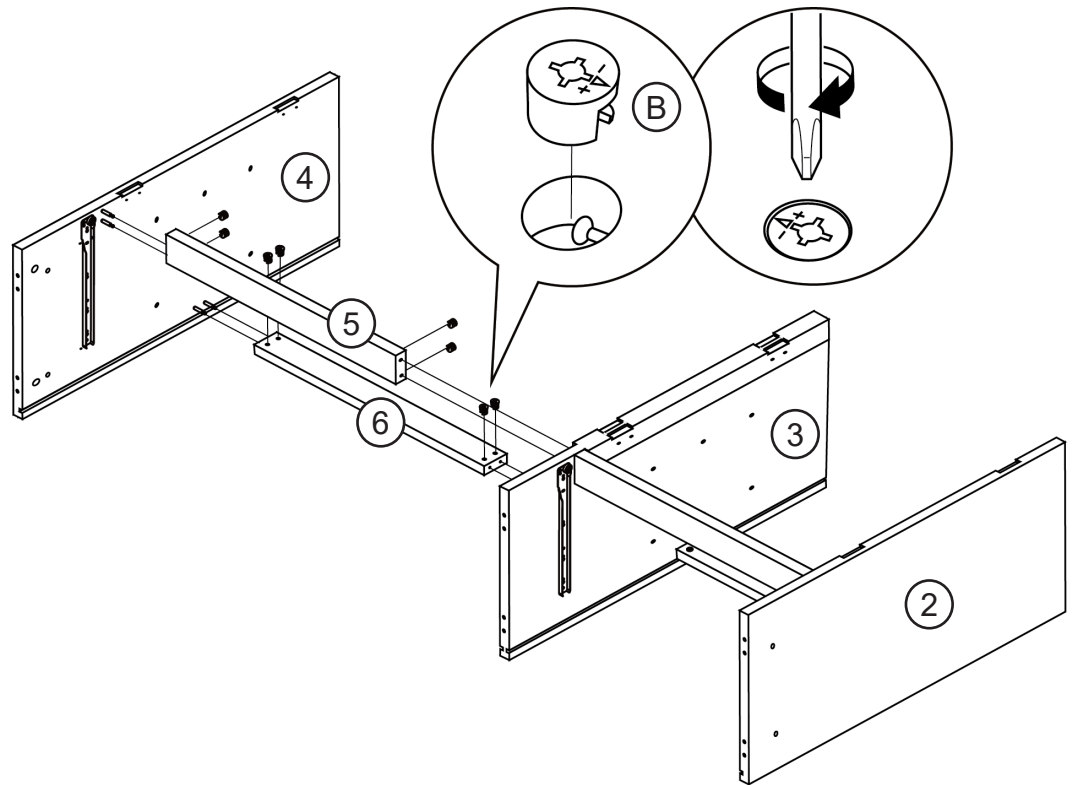
# 8

Assemble crossbars between the left panel and the center panel.



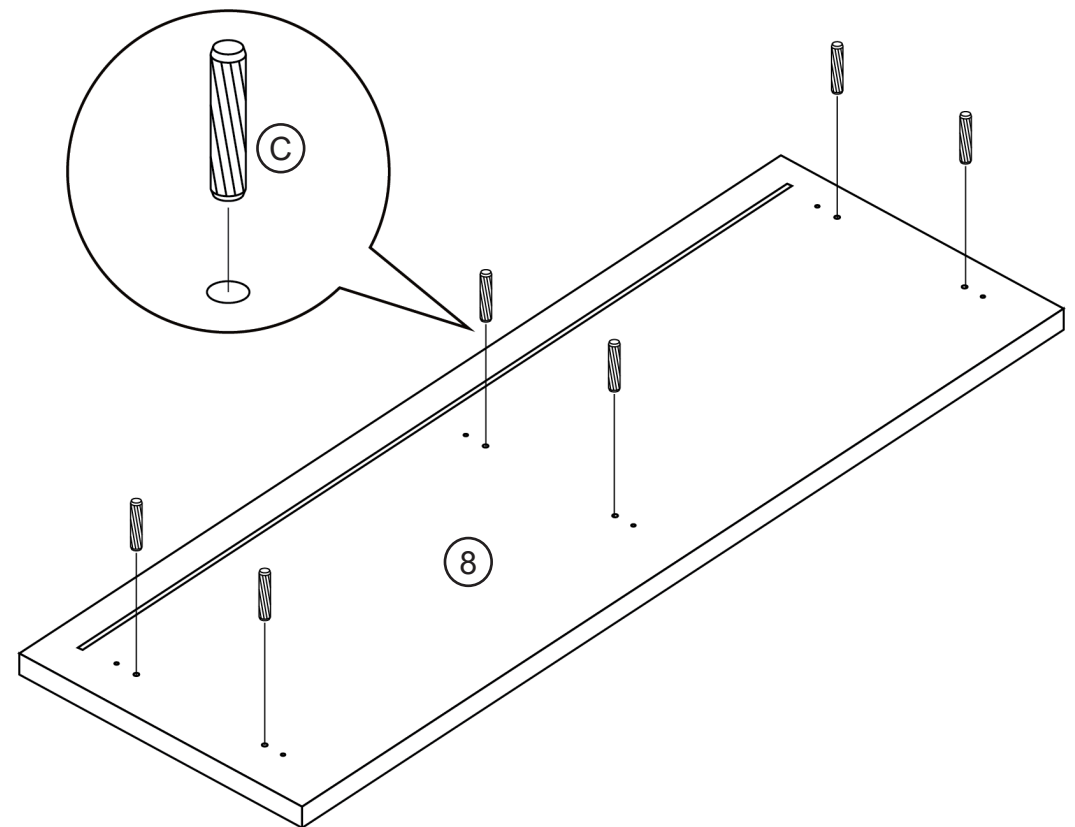
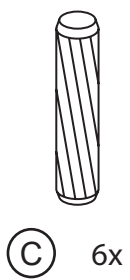
# 9

Assemble crossbars between the center panel and the right panel.



# 10

Attach wood dowels to the bottom panel.

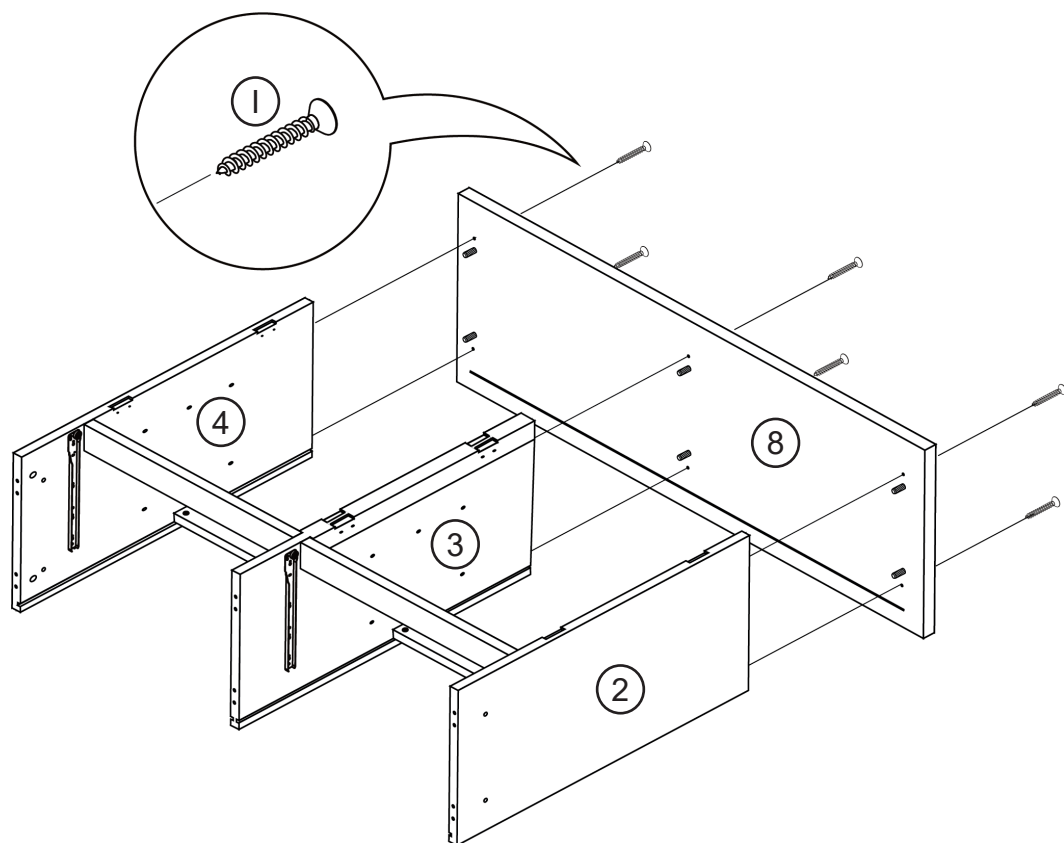


# 11

Attach the bottom panel under the side panels and center panel.

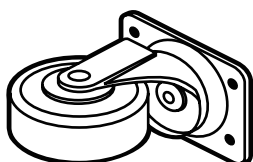


Ⓛ 6x



# 12

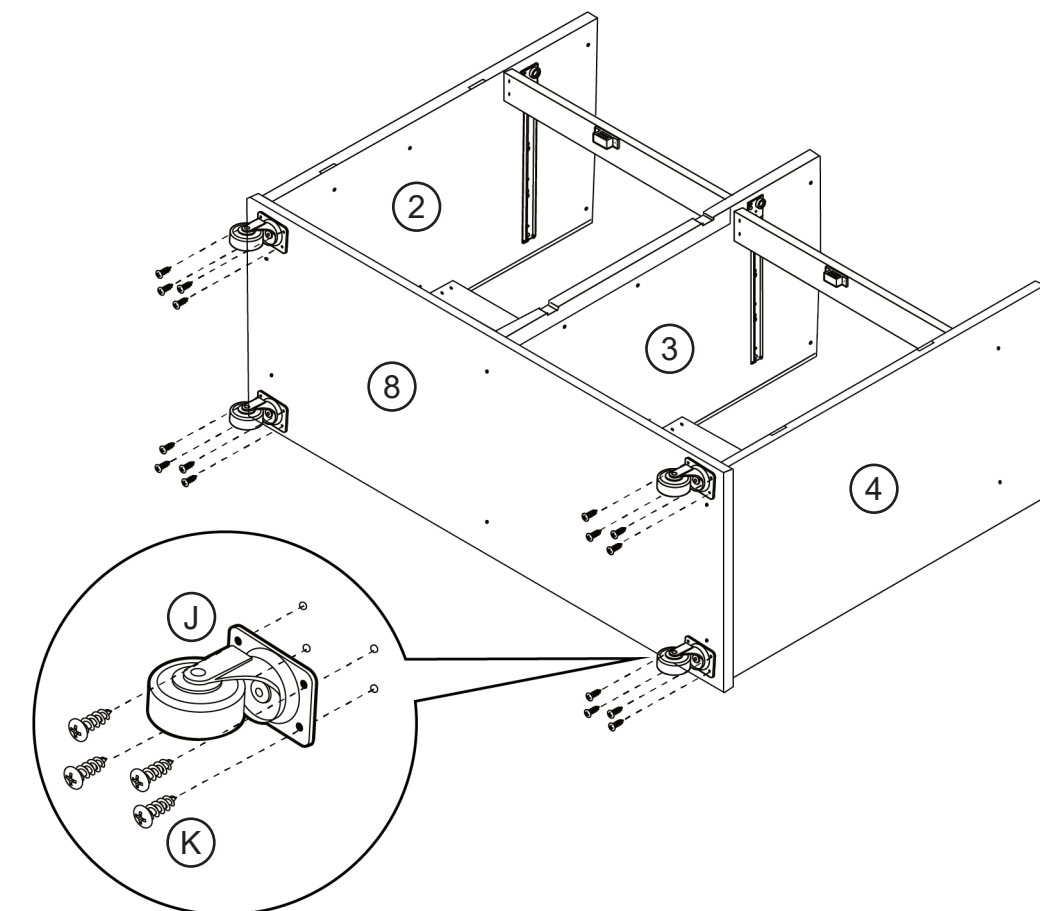
Attach casters under the bottom panel.



Ⓧ 4x

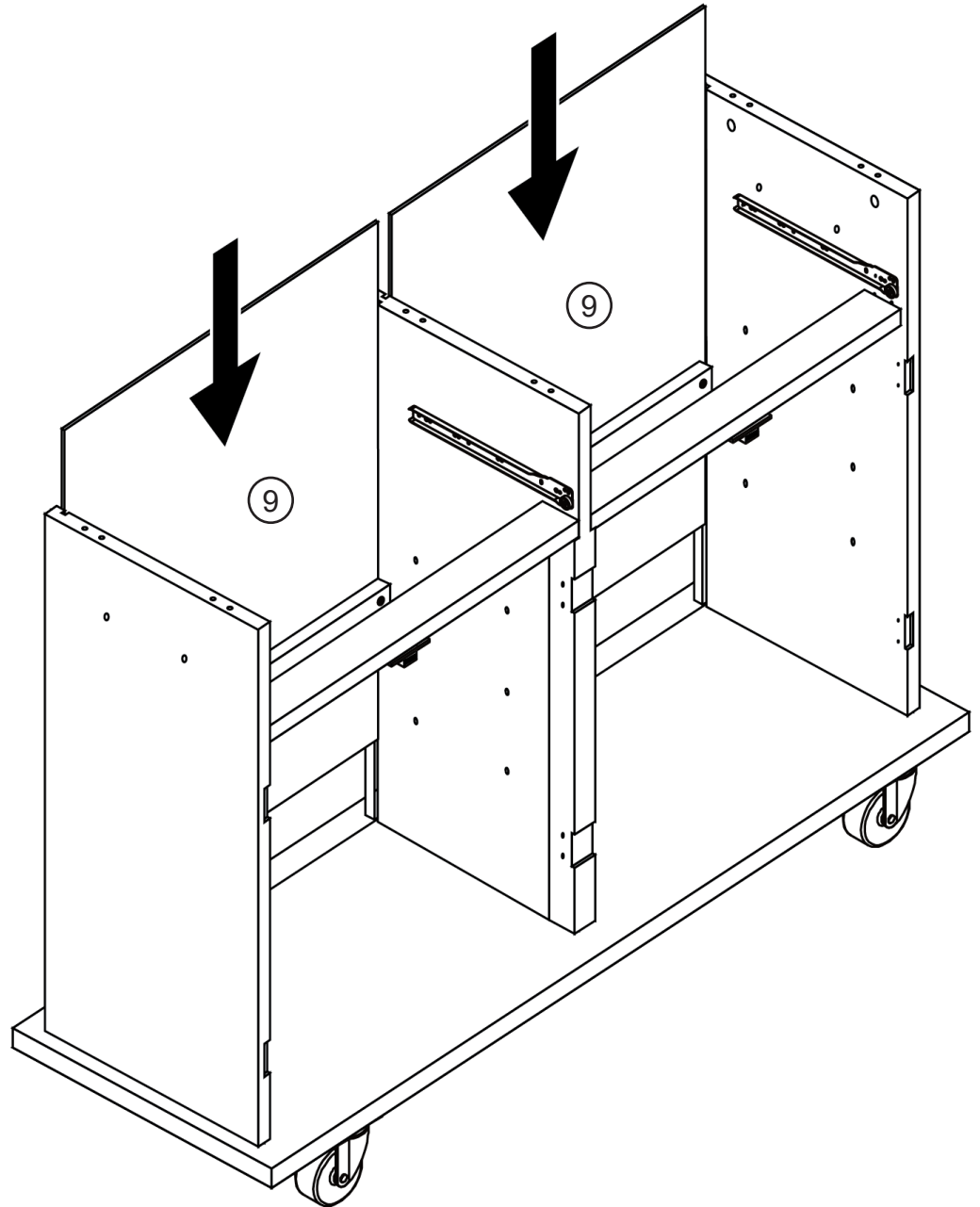


Ⓚ 16x



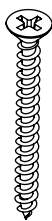
# 13

Slide the back panel to the trolley.



# 14

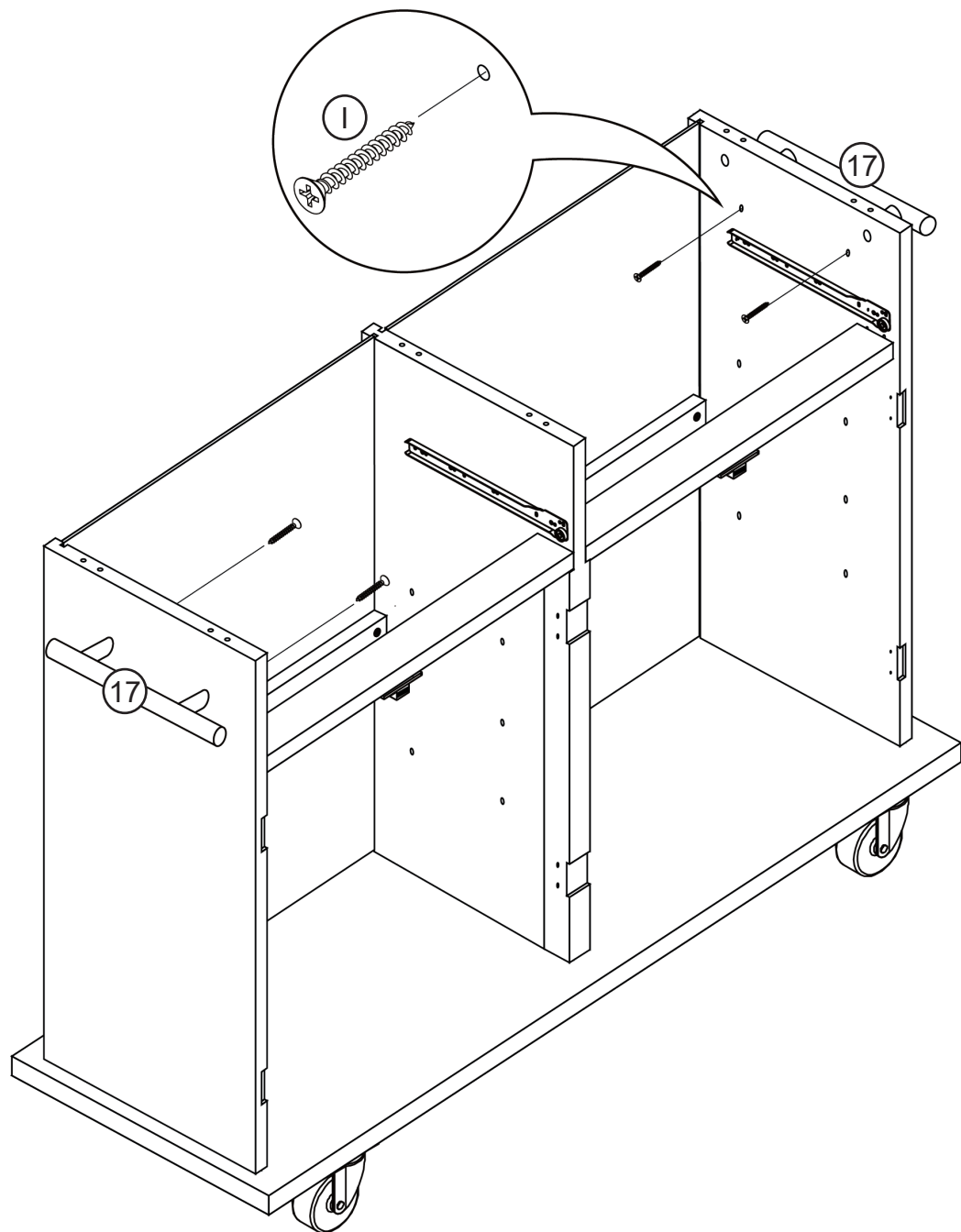
Attach handles to the side of the trolley.



M4 x 35mm

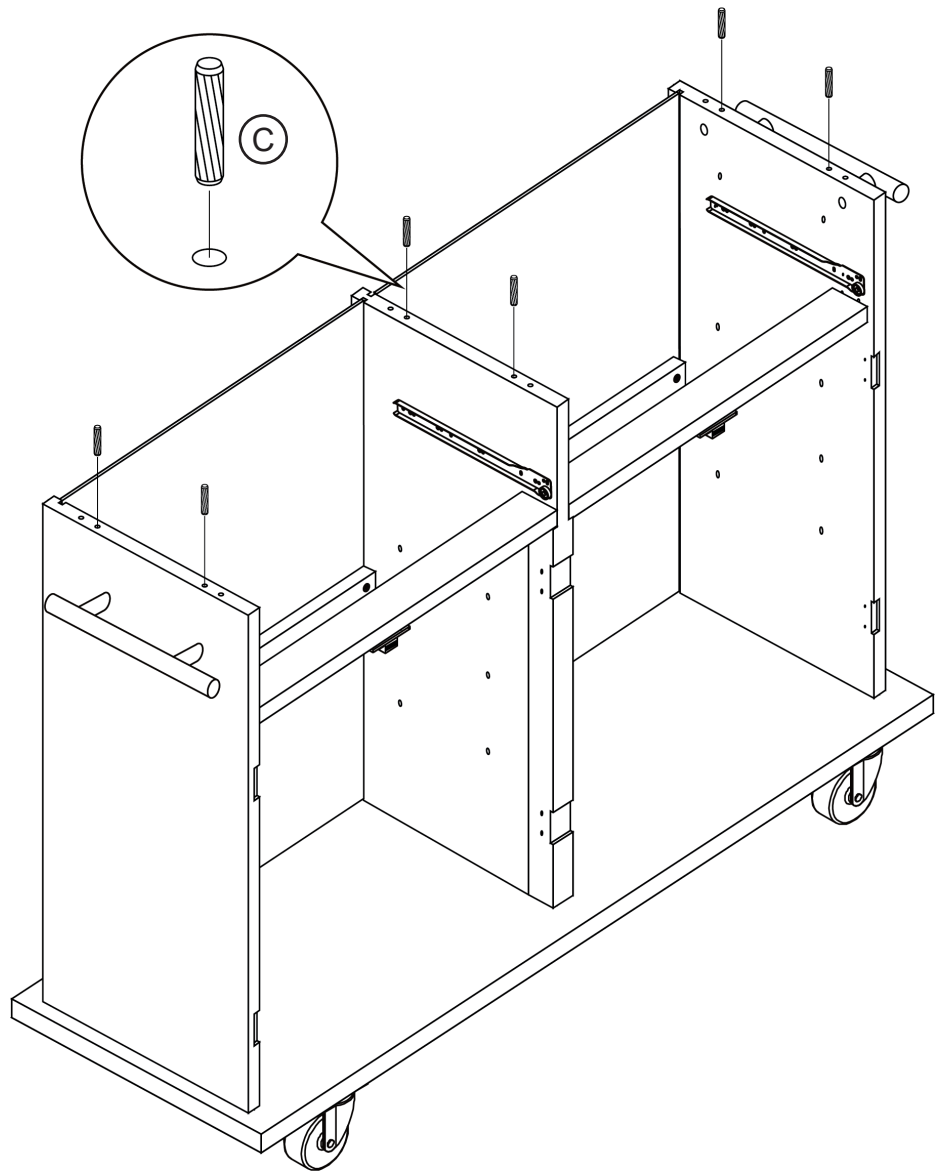
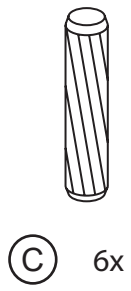


4x



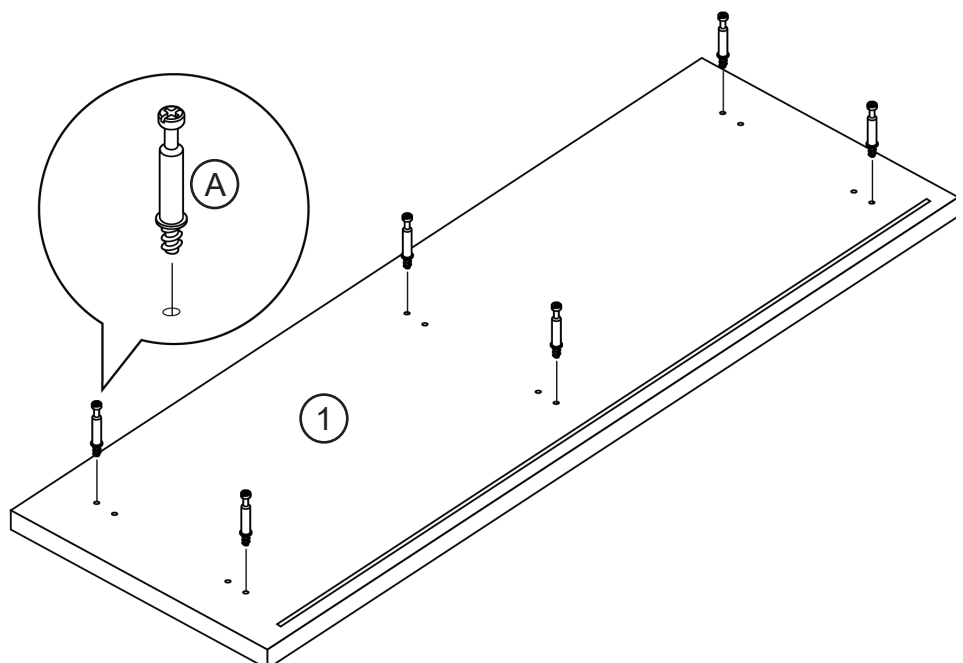
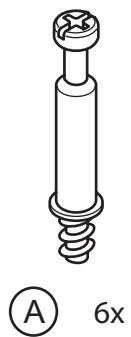
# 15

Attach wood dowels to top of the side panels and center panel.



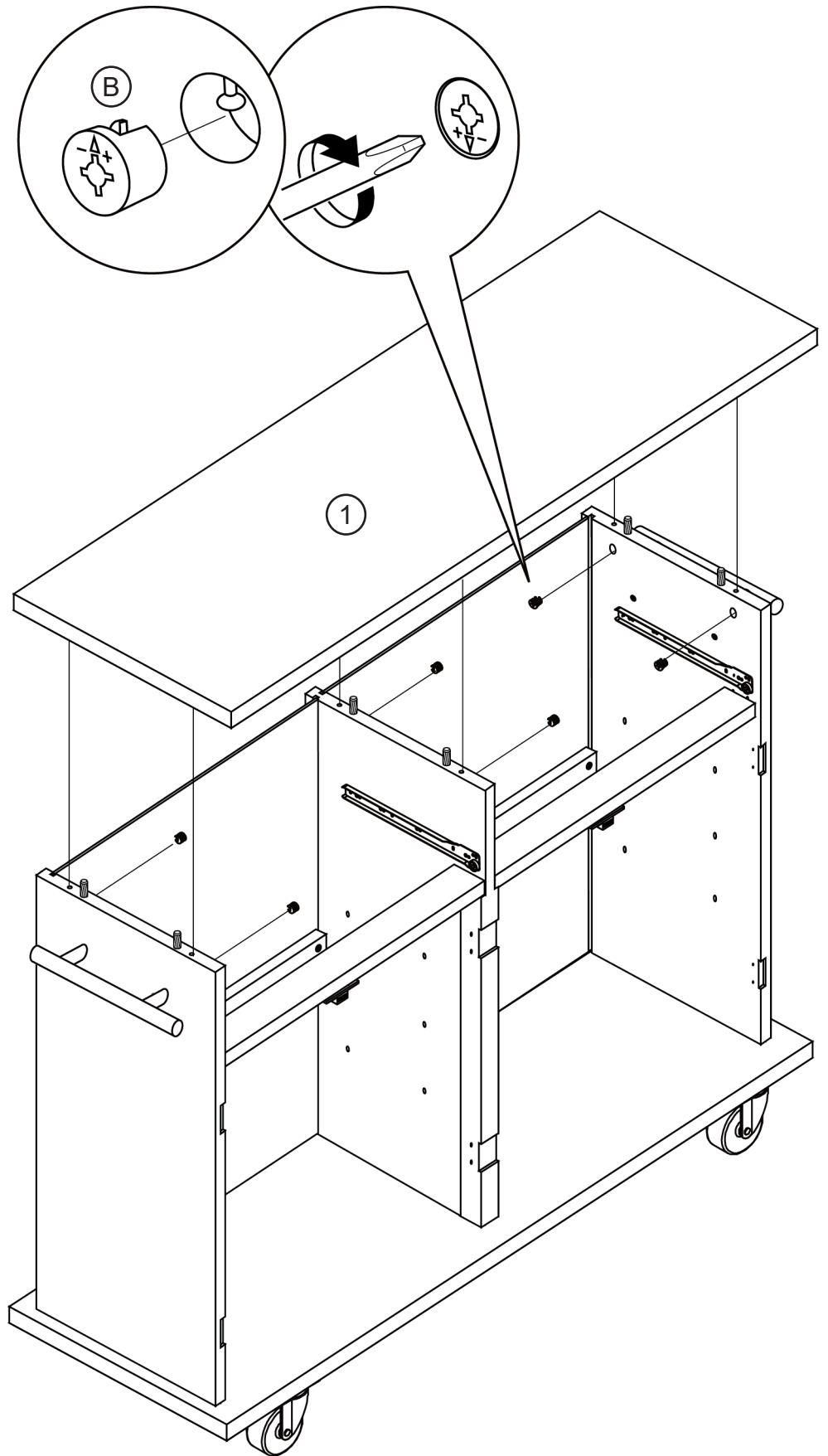
# 16

Attach cam bolts underneath the top panel.




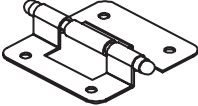

# 17

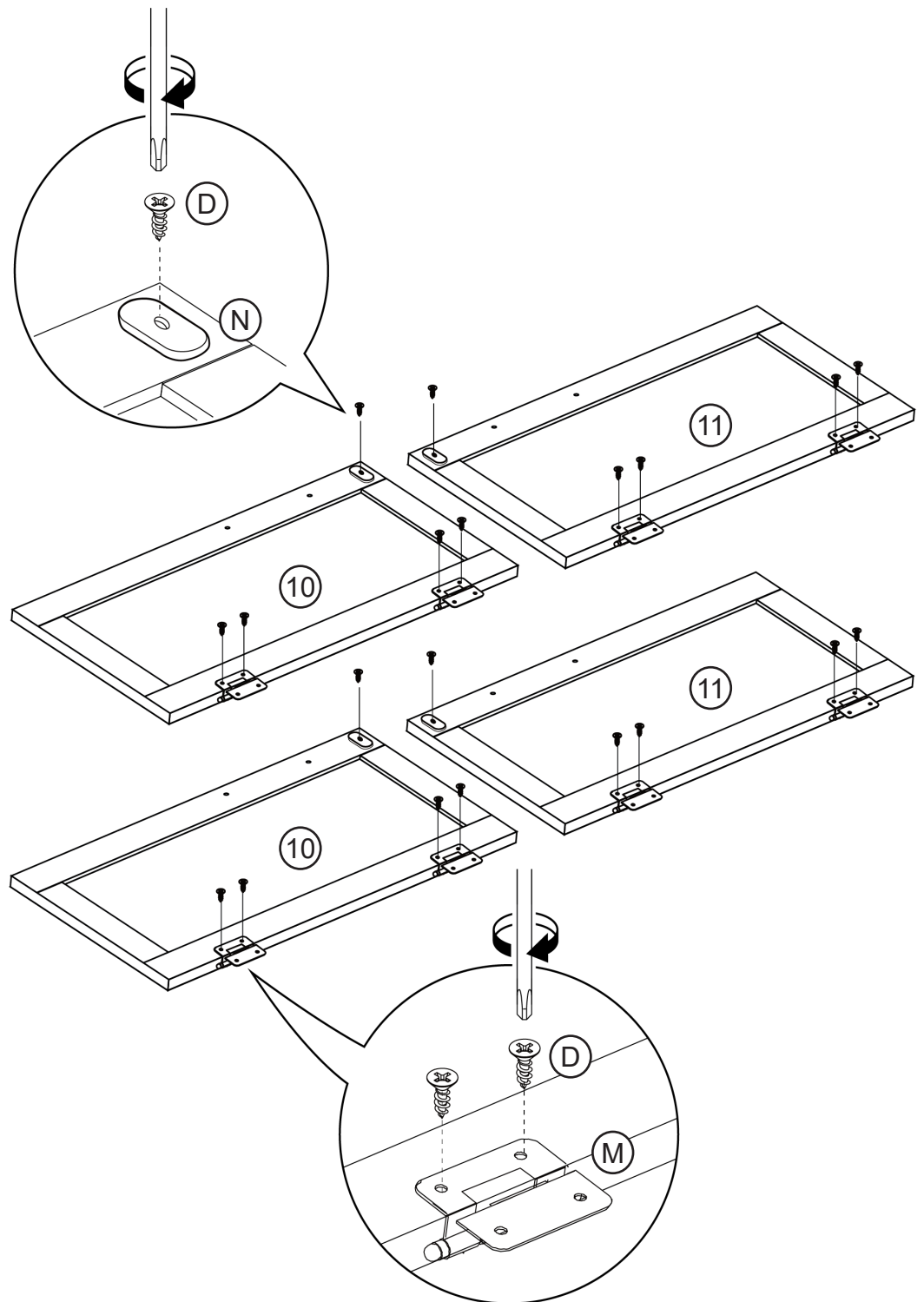
Attach the top panel to the trolley.



# 18

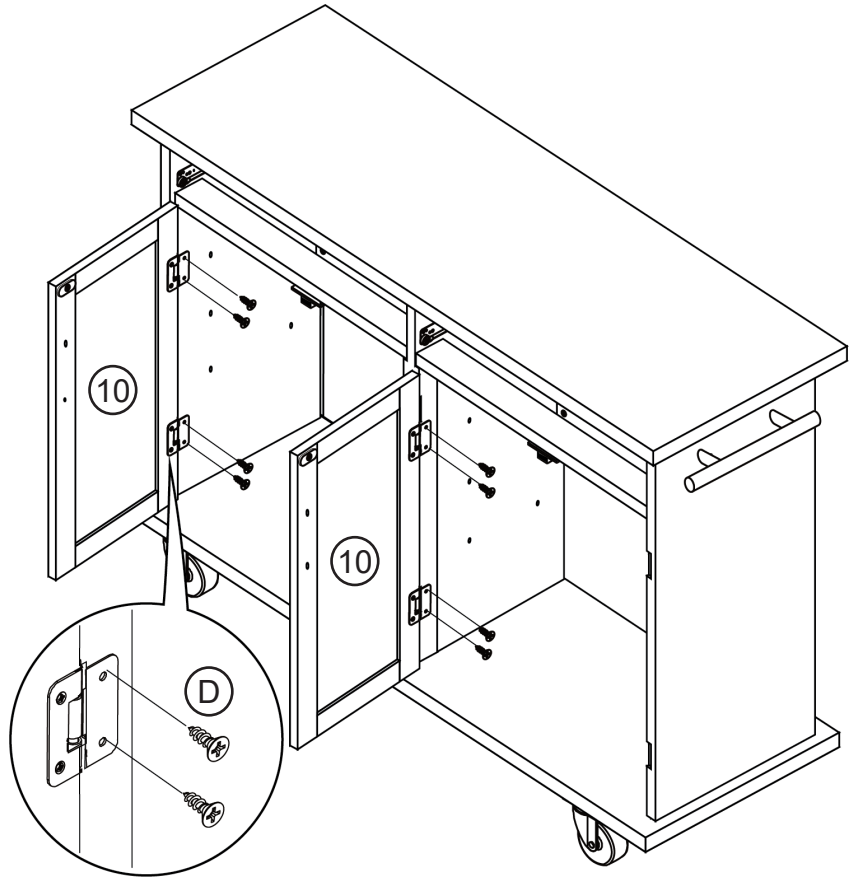
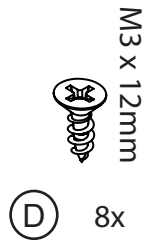
Attach door hinges and counter plates to the cabinet doors.

- M3 x 12mm
-  (D) 20x
-  (M) 8x
-  (N) 4x



# 19

Attach left cabinet doors to the trolley.



# 20

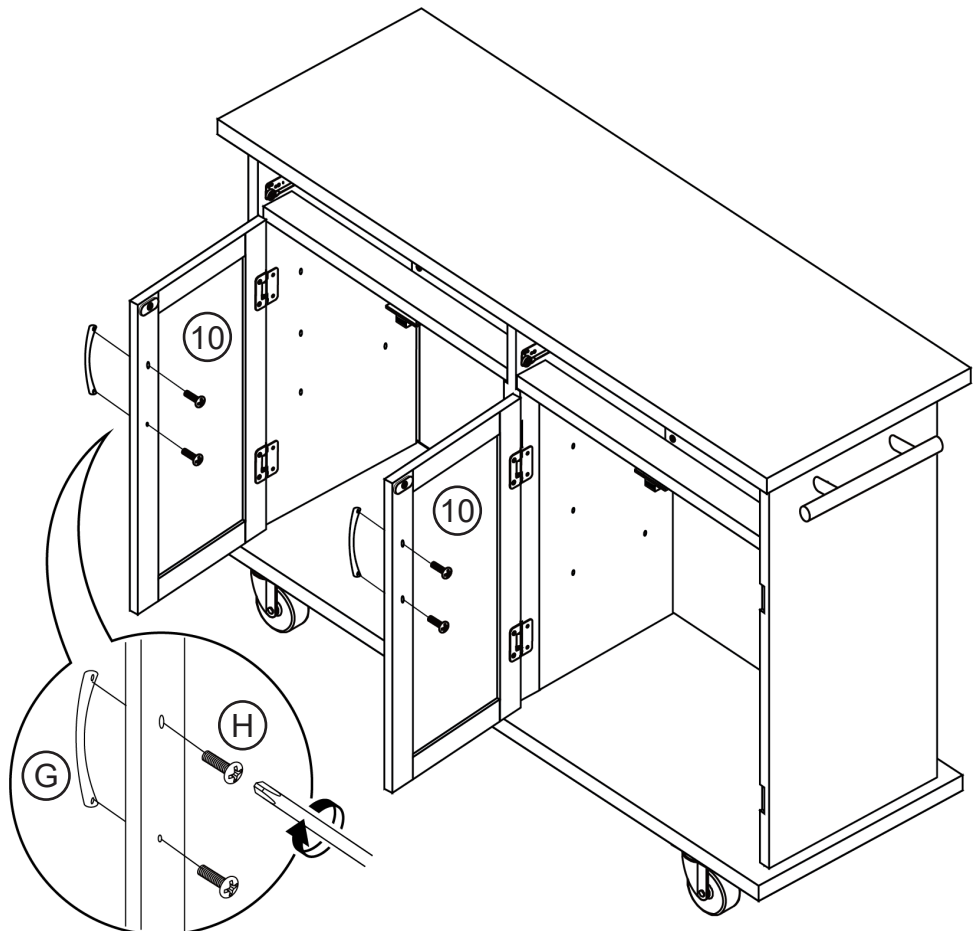
Attach door handles to the cabinet doors.



G 2x

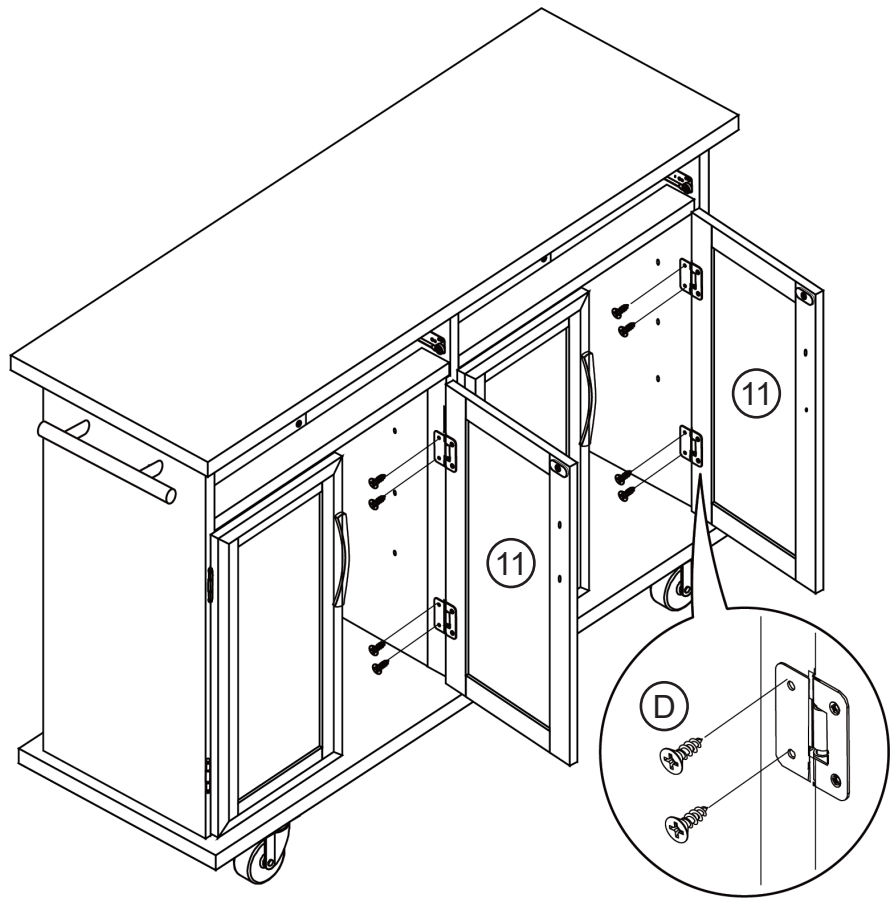


H 4x



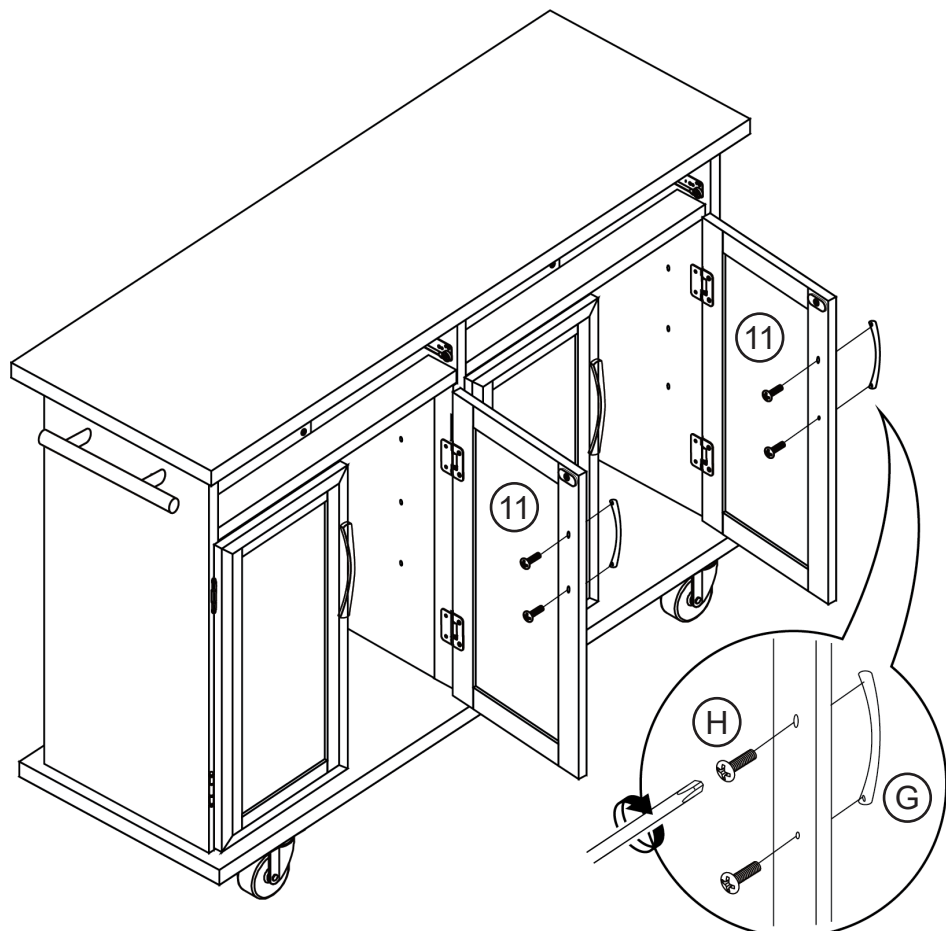
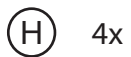
# 21

Attach right cabinet doors to the trolley.



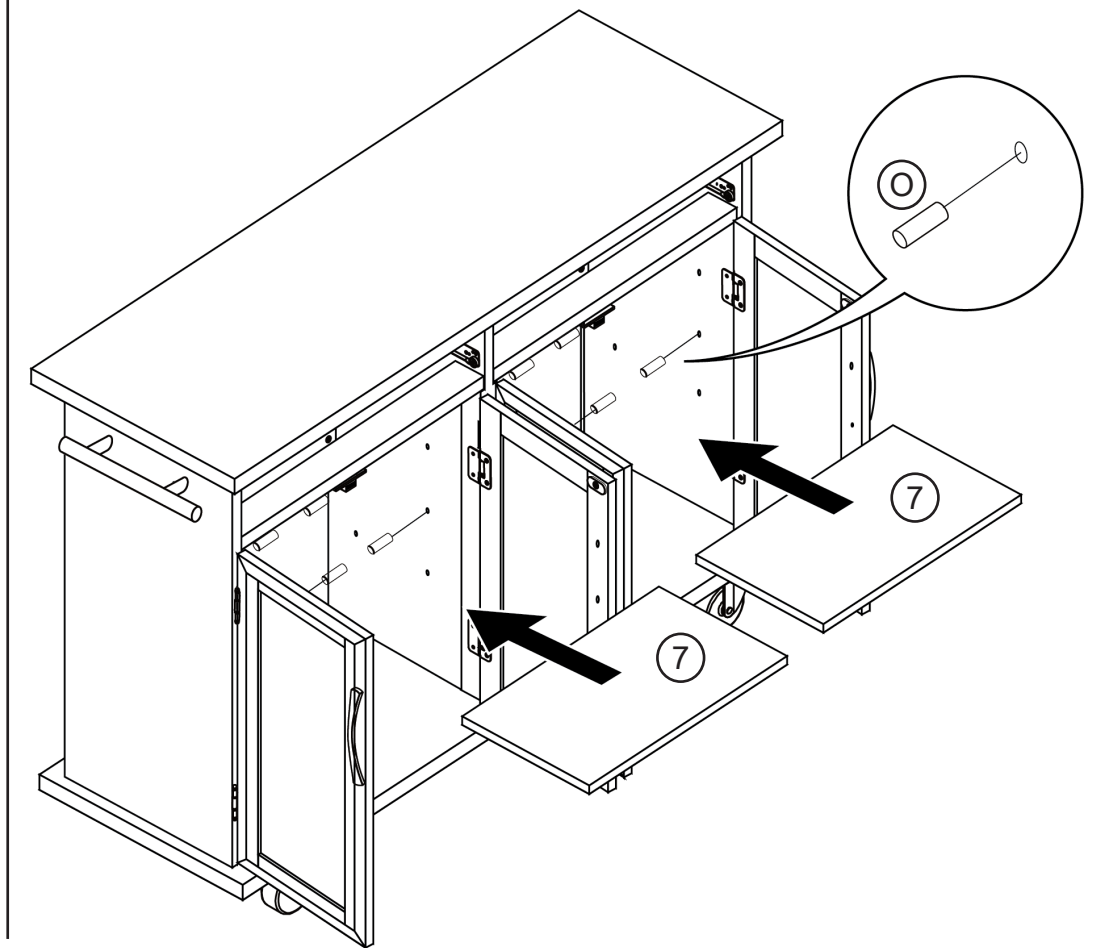
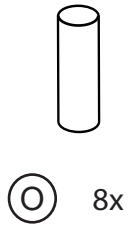
# 22

Attach door handles to the cabinet door.



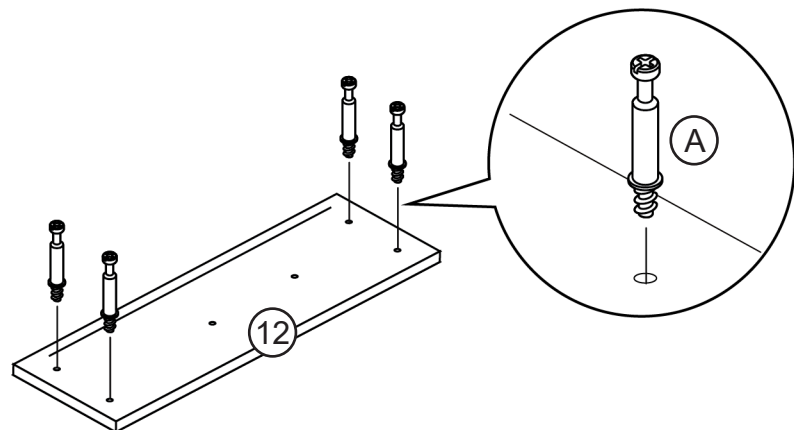
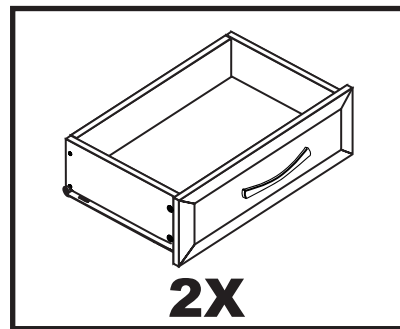
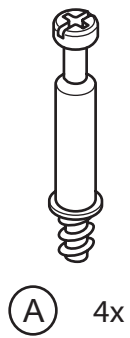
# 23

Attach shelf pegs into the trolley and put on the storage shelf.



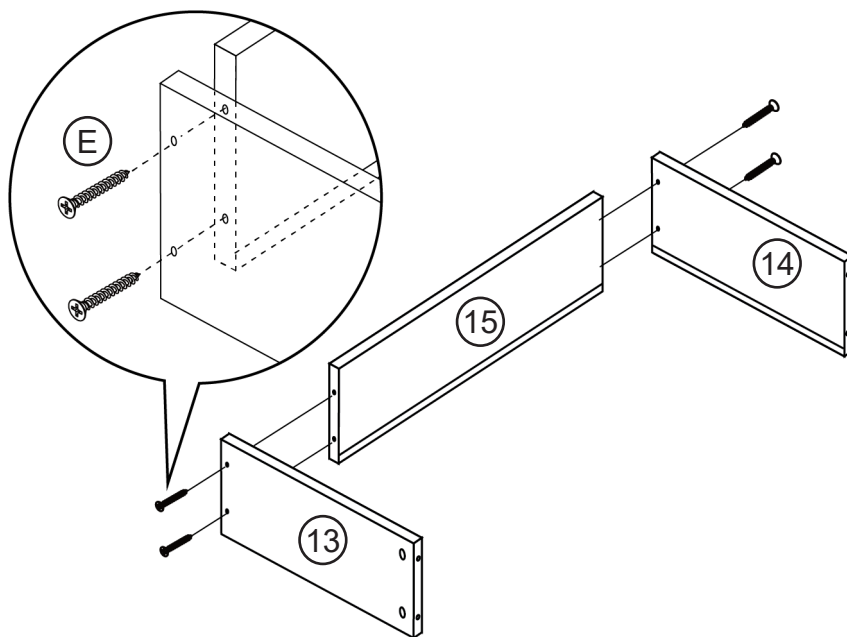
# 24

Attach cam bolts to the drawer front panel.



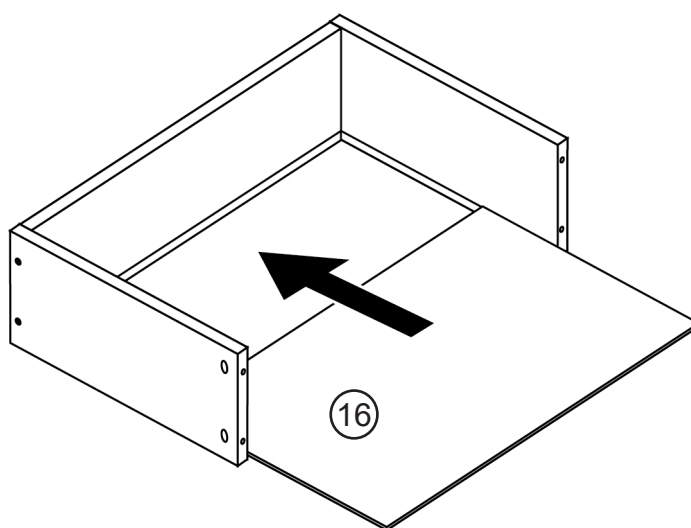
# 25

Assemble the drawer back panel between the drawer left and right panels.



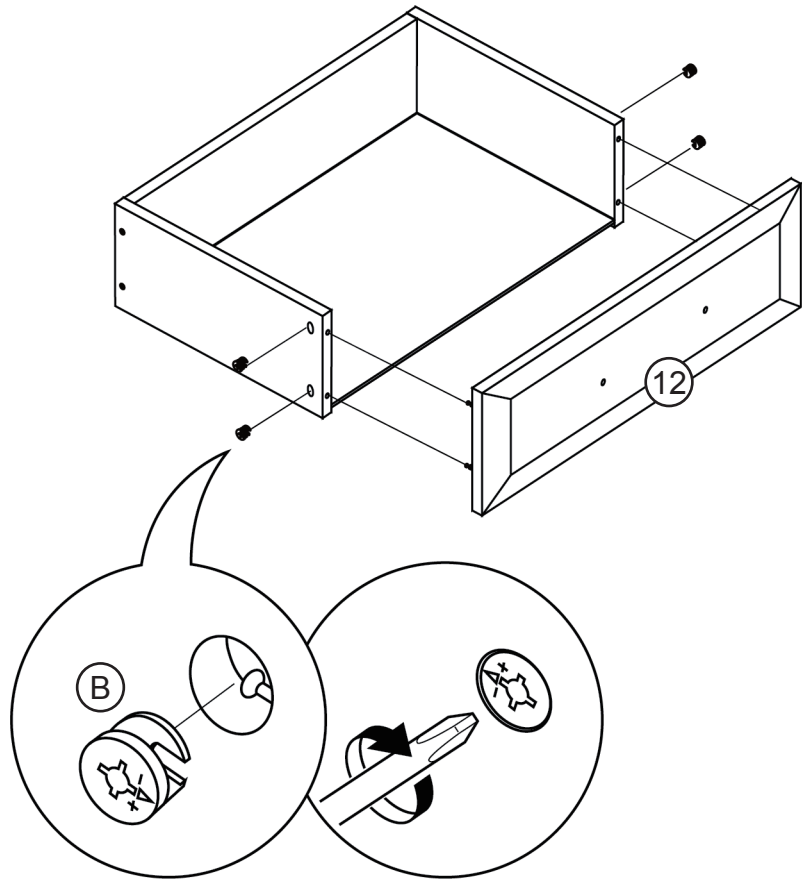
# 26

Slide the drawer bottom panel into the drawer assembly.



# 27

Attach the drawer front panel to the drawer side panels.



# 28

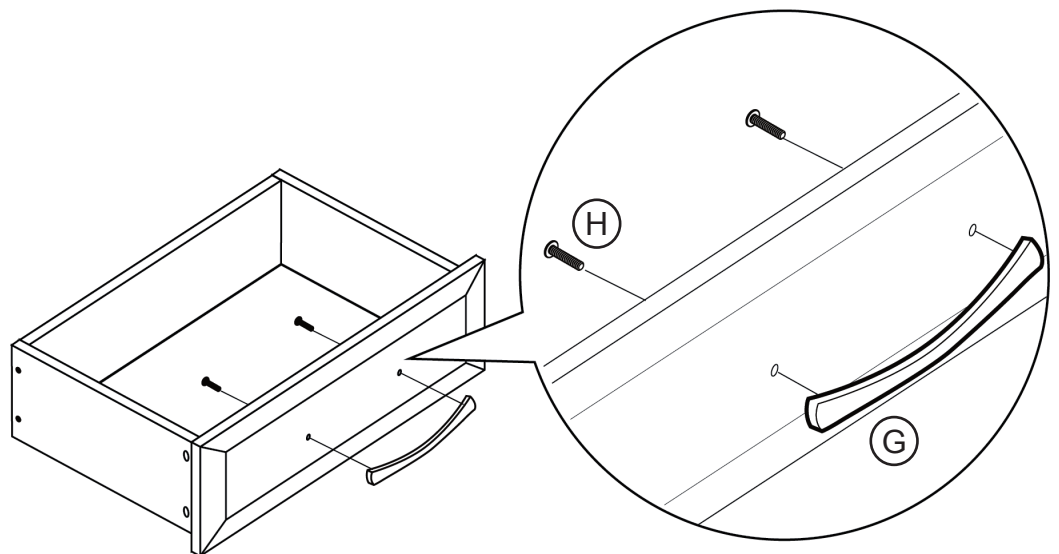
Attach handle to the drawer front panel.



(G) 1x



(H) 2x

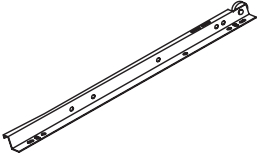


# 29

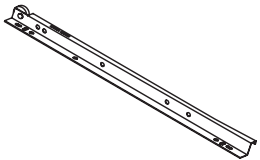
Attach slider to the side of the drawer.



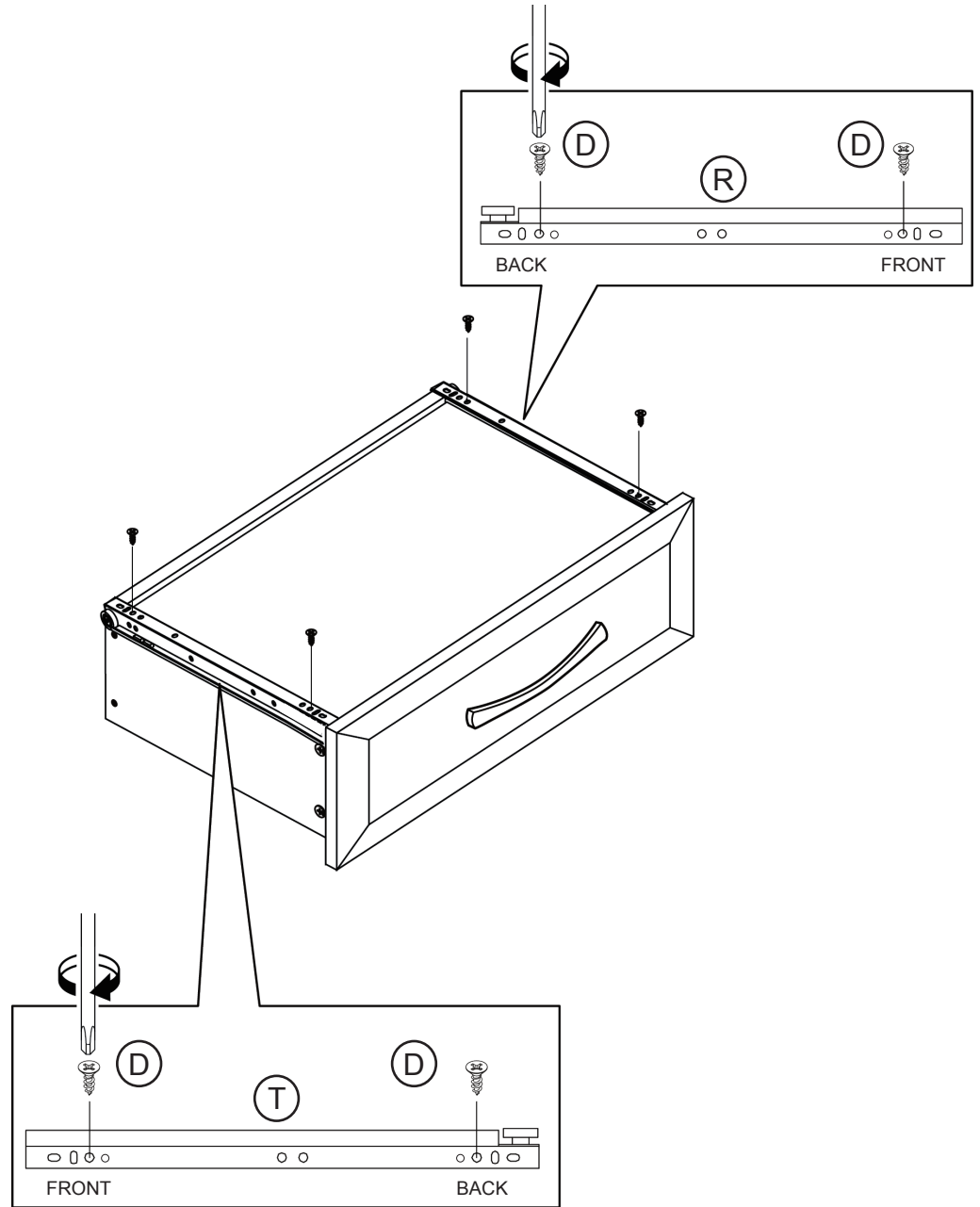
(D) 4x



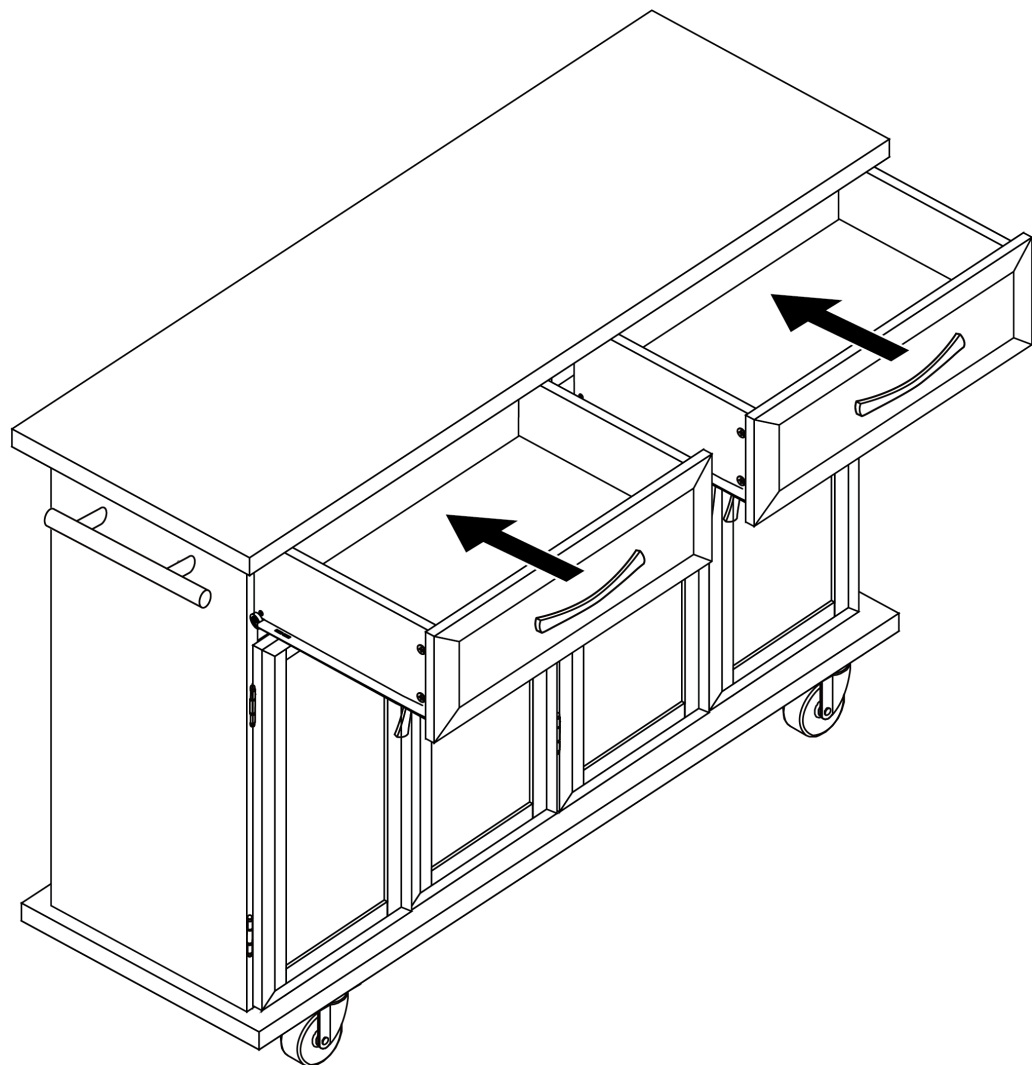
(R) 1x



(T) 1x

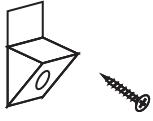


Slide the drawer into the trolley.

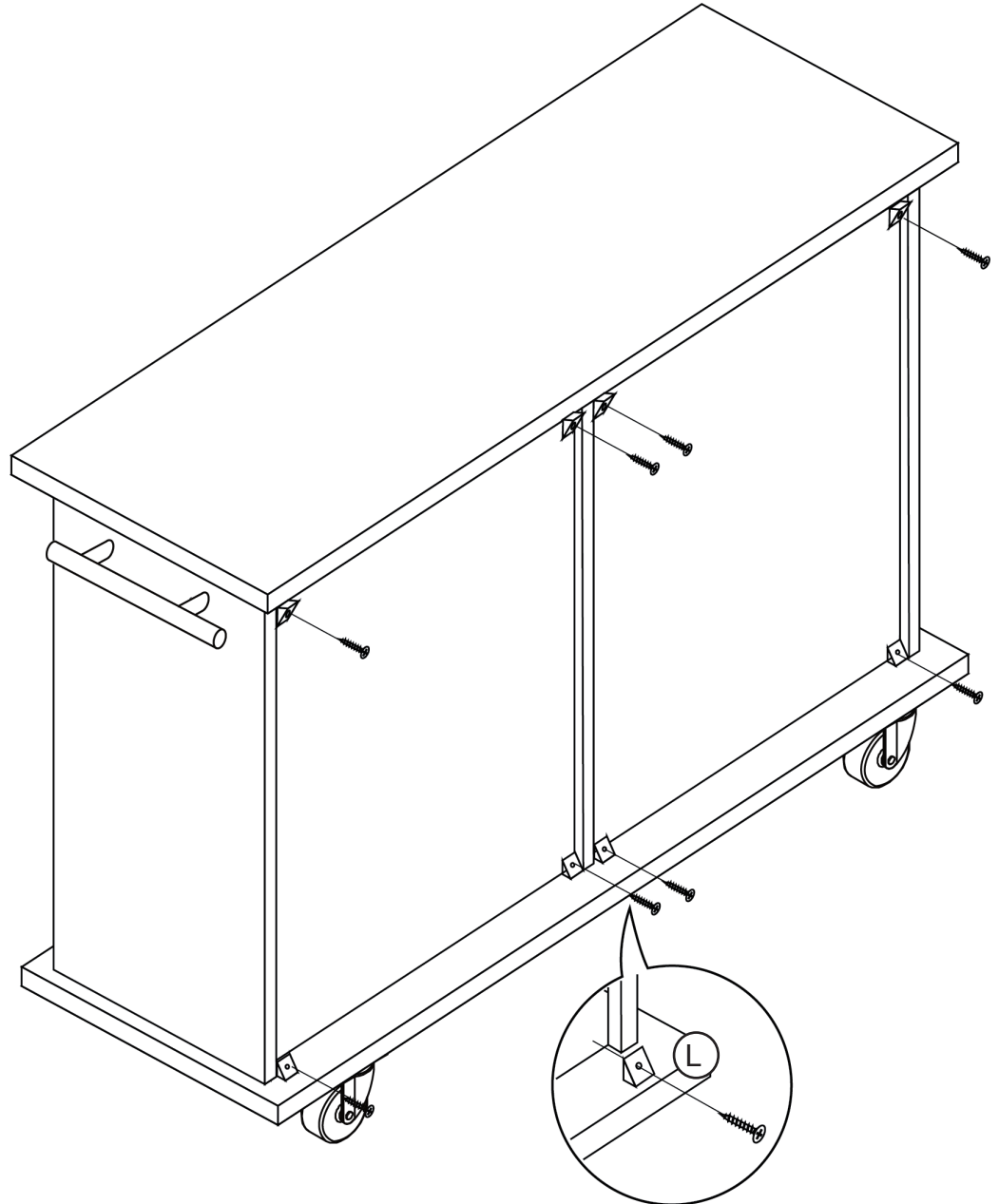


# 31

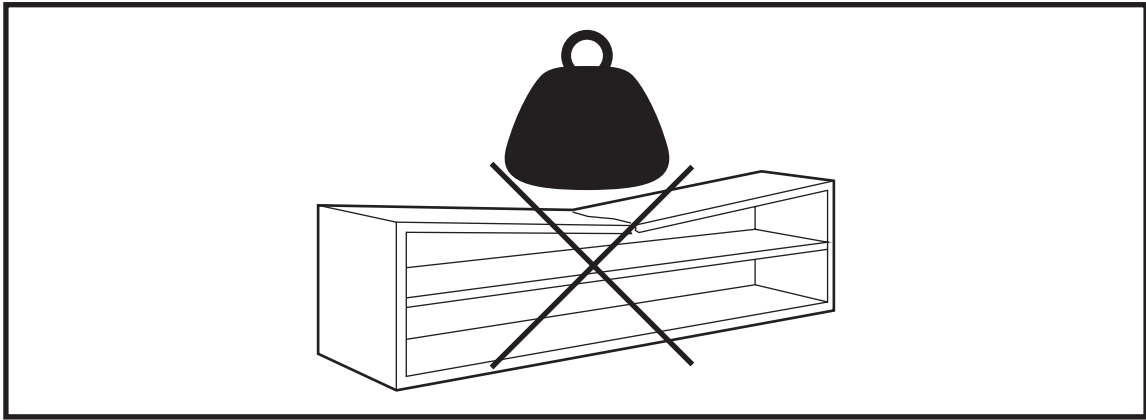
Secure the back panel in place.



(L) 8x



## YOU'RE FINISHED!



## **Warning**

Only place items on top of the product if they meet the recommended size and weight limits.

Climbing on, stepping on, or placing overweighted objects on the product may cause property damage and/or injuries.

Items placed onto this product must be resting on a support surface without hanging over the edges.

# WARRANTY

BELLEZE products come with a 1-year warranty from the date of delivery.  
**Register your product on our website to enjoy our limited lifetime warranty!**  
**FURNITURE CARE AND MAINTENANCE**

Medium - Density Fiberboard

Thank you for your purchase. We want your item to last as long as possible.  
To ensure the product gives you years of longevity, please follow the recommendations  
in this care and maintenance guide.



## MAINTENANCE

- Tighten all bolts and screws again within the first 2 weeks of assembly.
- Check the tightness of all bolts every 2 months and tighten them if necessary.



## CLEANING

- Clean the surface of the MDF (medium - density fiberboard) with a lightly dampened cloth.
- A small amount of mild soap can be used if necessary.
- Dry the surface immediately after cleaning.

- ⚠ DO NOT use bleach or alcohol to clean the surface.
- ⚠ DO NOT apply wood treatment on parts made with MDF.

MDF will swell and distort when exposed to water damage. Make sure to dry the furniture immediately after cleaning.

## ⚠ WARNING

The manufacturer and seller are not responsible for any and all liability relating to personal injury, property damage or losses, whether direct, indirect, or incidental, resulting from the incorrect attachment, improper use, inadequate maintenance, unapproved modification or neglect of this product.

# WARRANTY

The products come with a 1-year warranty from the date of delivery.