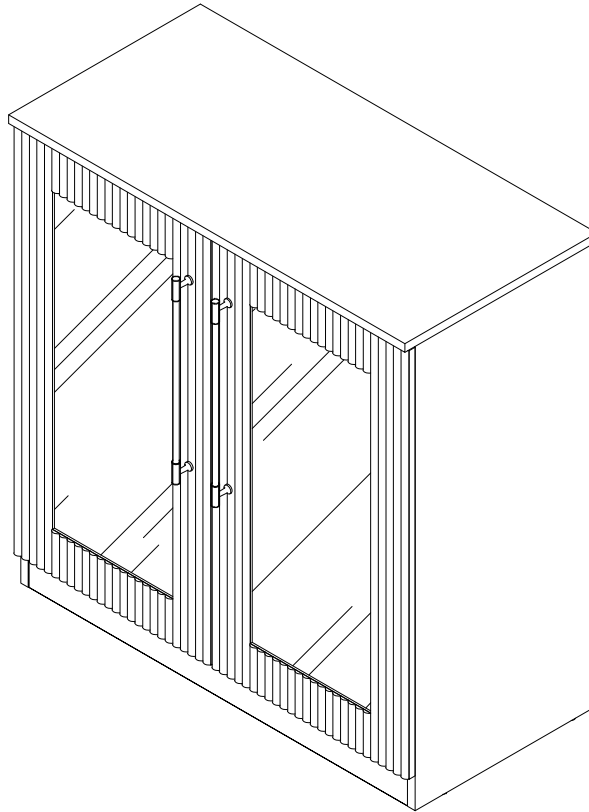


# ASSEMBLY INSTRUCTIONS

(1pc x carton )

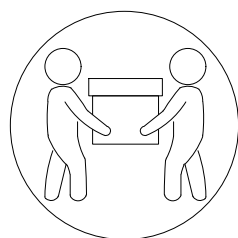
Thank you for purchasing our product.

We appreciate your trust and hope you enjoy your new furniture.

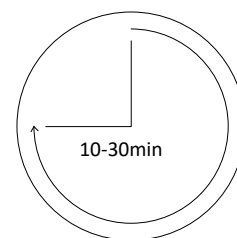


## Notice:

- 1.Place a protective mat or cloth on the floor to prevent scratches.
- 2.Follow these assembly instructions. Make sure all parts and hardware are included before starting.
- 3.Do not fully tighten the bolts during assembly.Tighten them only after all parts are properly aligned.
- 4.If you have any questions, please contact our customer support team or call us directly at.

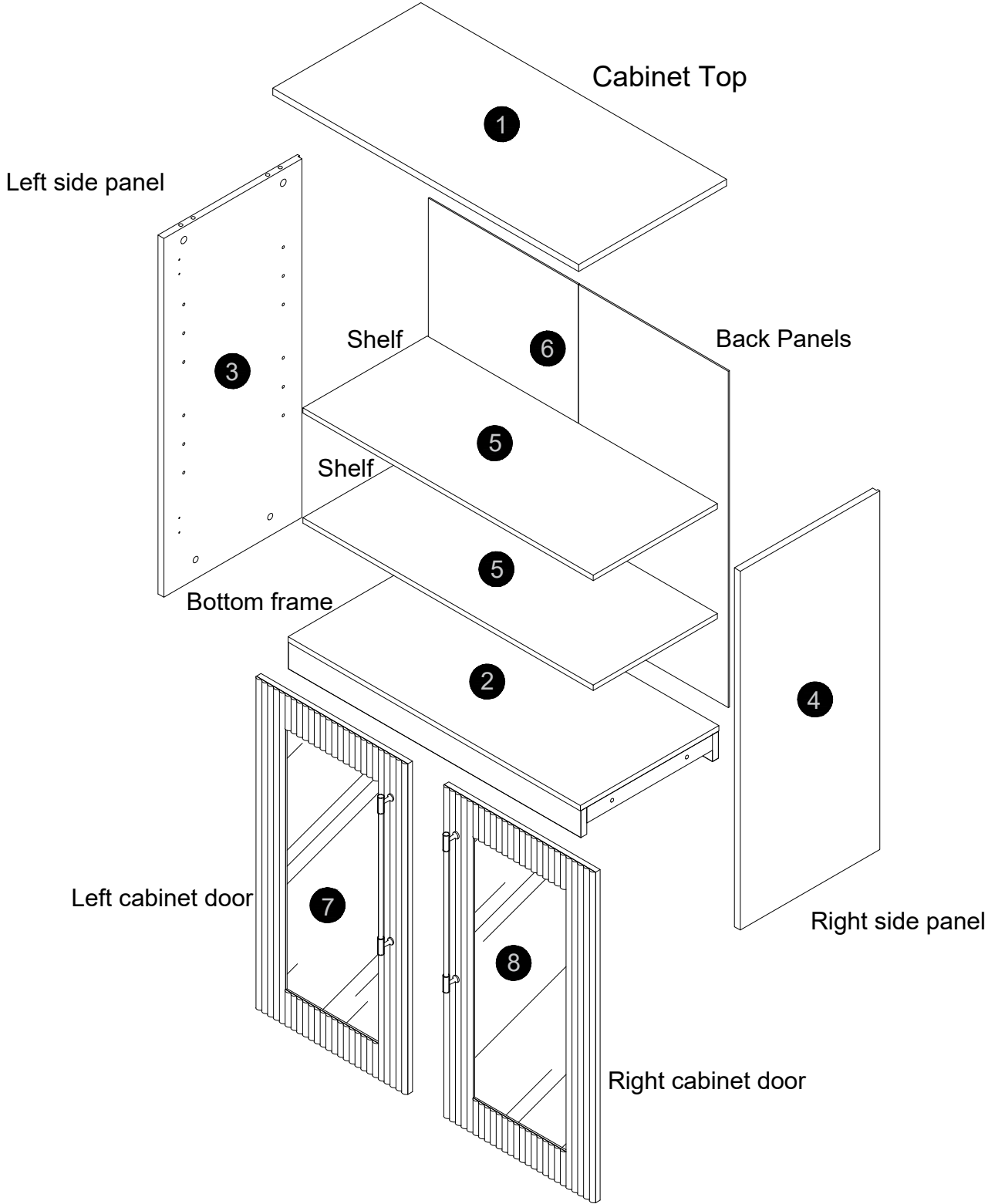


Recommended Assembly: 2 people

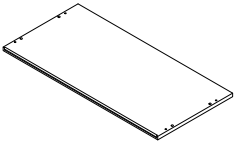
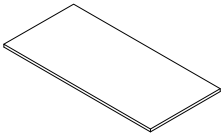
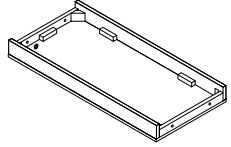
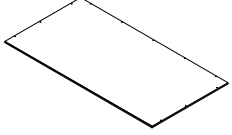
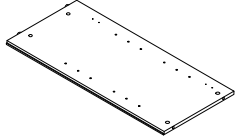
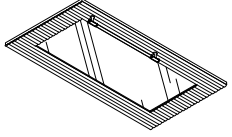
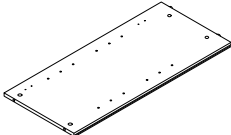
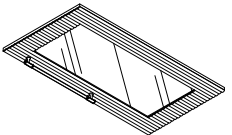


Estimate installation time

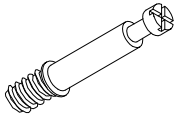
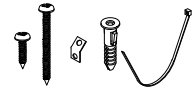
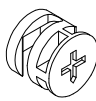
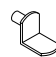
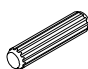

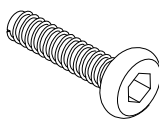
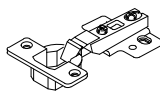

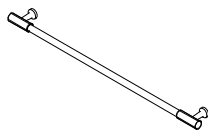
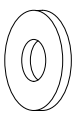

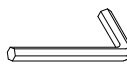
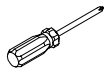
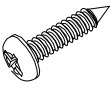

Assembly Explosion Diagram



## PARTS LIST

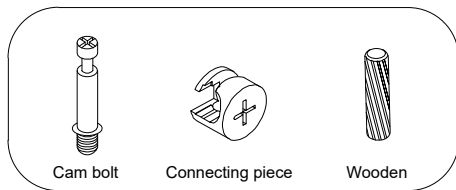
Item no.	Sketch	Description	Qty	Item no.	Sketch	Description	Qty
1		Cabinet Top	1	5		Shelf	2
2		Bottom frame	1	6		Back Panels	1
3		Left side panel	1	7		Left cabinet door	1
4		Right side panel	1	8		Right cabinet door	1

## HARDWARE LIST

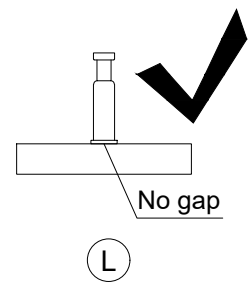
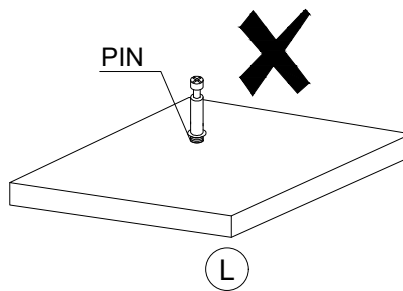
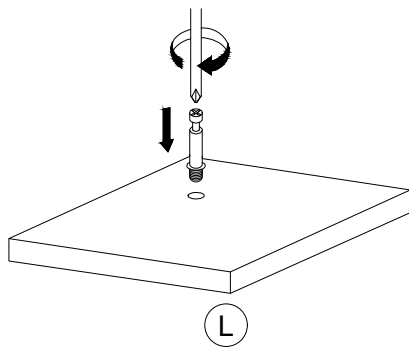
Item no.	Sketch	Description	Qty	Item no.	Sketch	Description	Qty
<b>A</b>		M6*36	4	<b>G</b>		Anti toppling assembly	2
<b>B</b>		Ø15*9	4	<b>H</b>		Ø6*10	8
<b>C</b>		Ø8*30	4	<b>I</b>		Flat head screw M3.5*14	24+2
<b>D</b>		1/4"*25	4	<b>J</b>		Ø35*8	4
		Ø6	4	<b>K</b>		320	2
		Ø6*14	4			M4*25	4
<b>E</b>		4	1	<b>L</b>			1
<b>F</b>		Umbrella head screw M3*16	22+2	<b>M</b>		Ø10*1	2

# ASSEMBLY INSTRUCTIONS

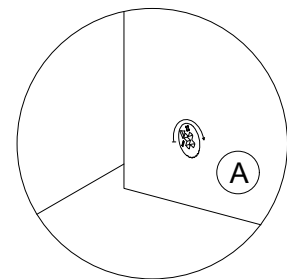
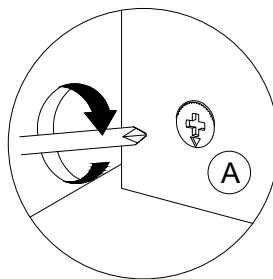
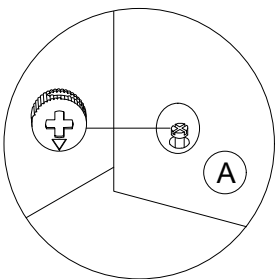
## CAM BOLT INSTALLATION AS BELOW



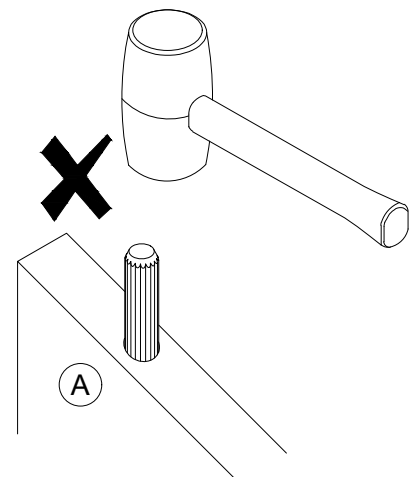
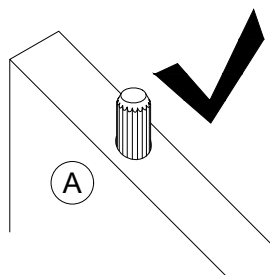
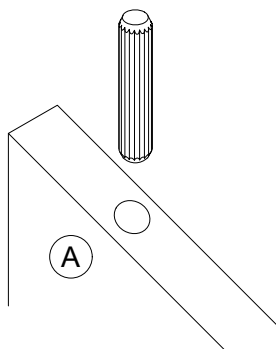
Screw the Cam bolt(5) fully into the wood board.



Insert camlock to the cam-bolt head. Then tightening camlock.



Insert wooden dowel into part A/B/C/D

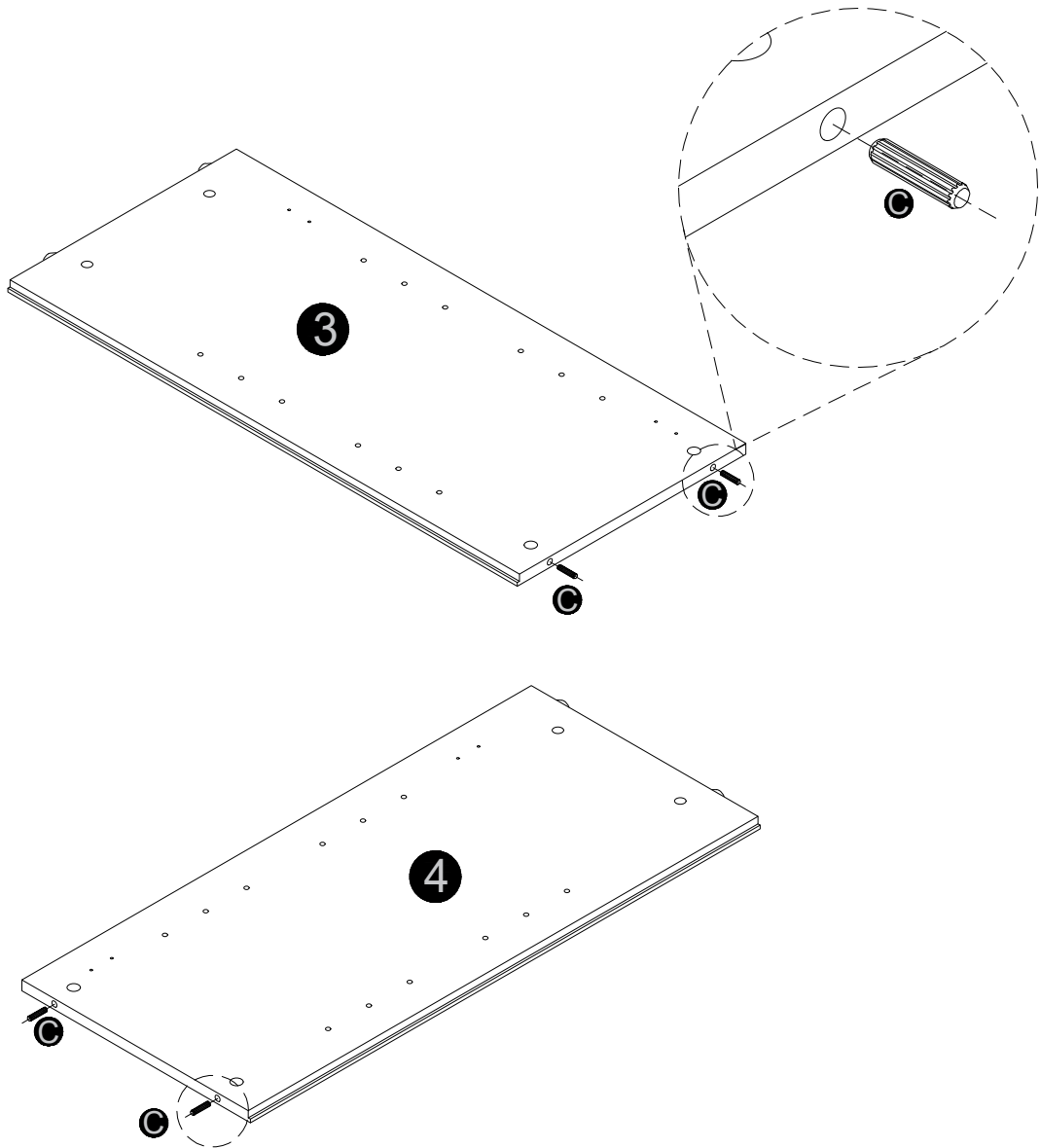


1

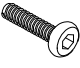


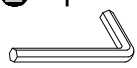
● 4pcs



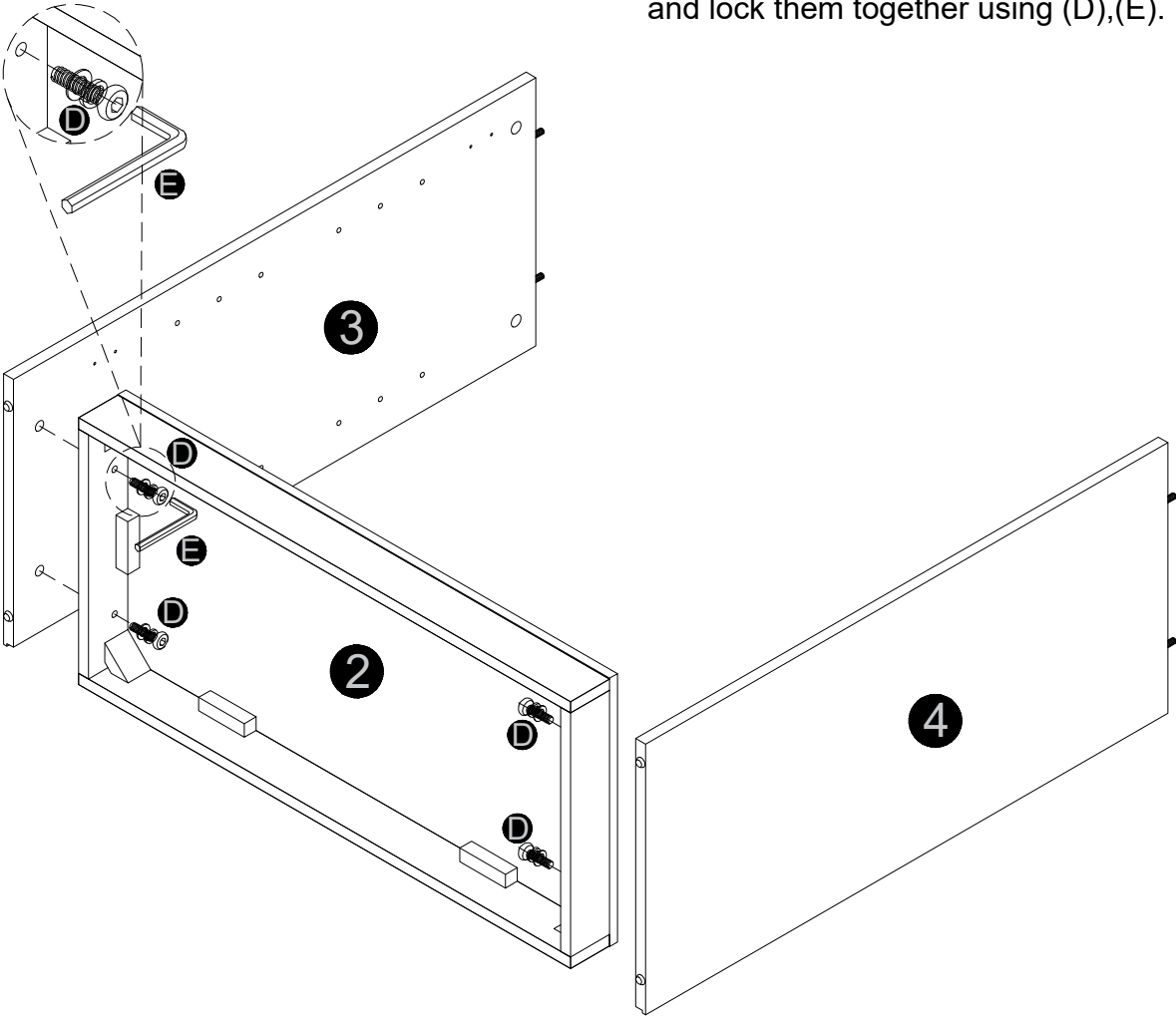
Ø8\*30



Insert wood dowels (C) into left side panel ③ and right side panel ④.

2	<b>D</b> 4pcs	4pcs	4pcs	<b>E</b> 1pc
				
	1/4"*25	Ø6	Ø6*14	4

Align the left side panels ③ and right side panels ④ with the bottom frame ② , and lock them together using (D),(E).



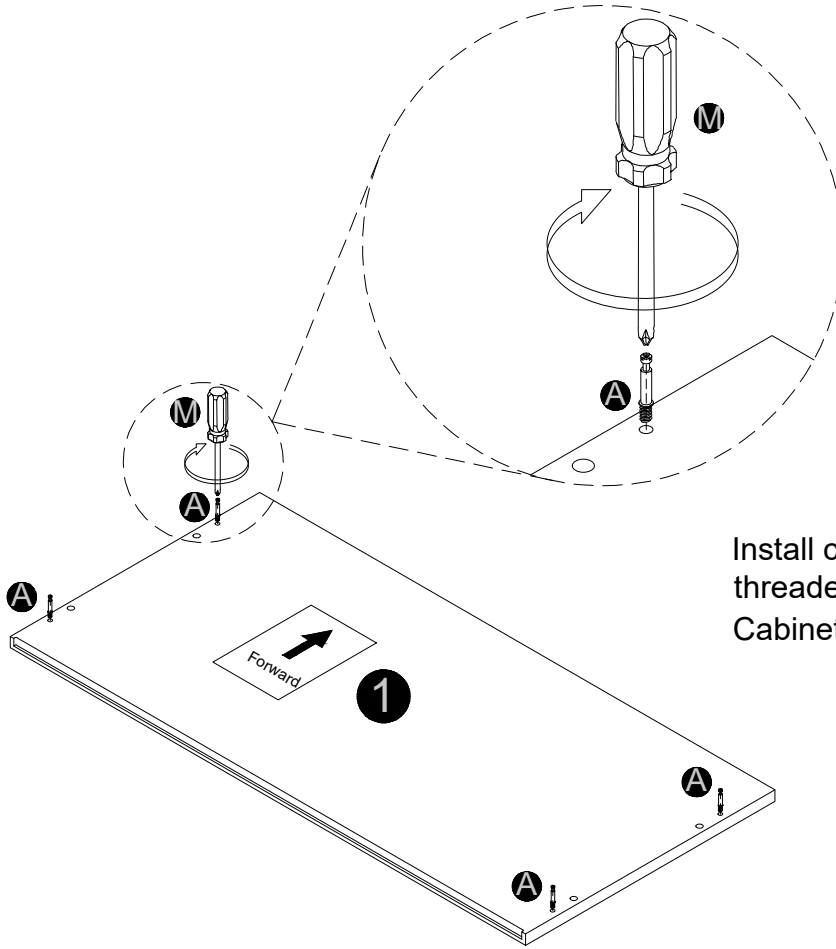
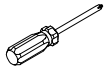
3

**A** 4pcs

**L** 1pc



M6\*36

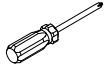


Install cam posts (A) into threaded inserts in Cabinet Top ①.

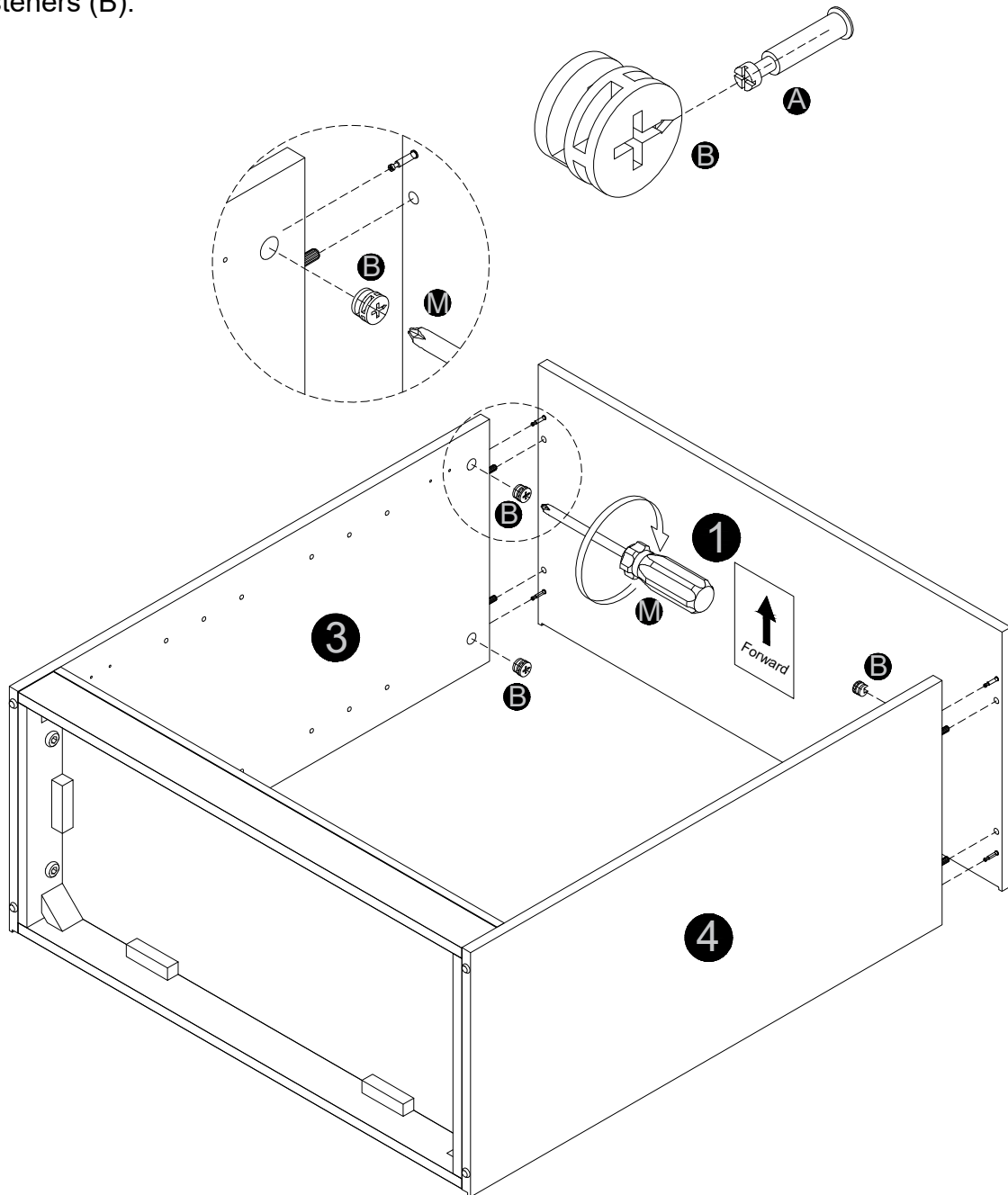
4

**B** 4pcs**L**

Ø15\*9



Attach left side panels ③ and right side panels ④ to cabinet top ① by turning cams fasteners (B).

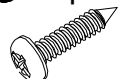


5

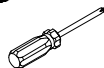
**F** 22pcs

**G** 2pcs

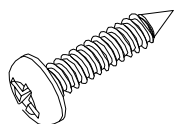
**L**



M3\*16



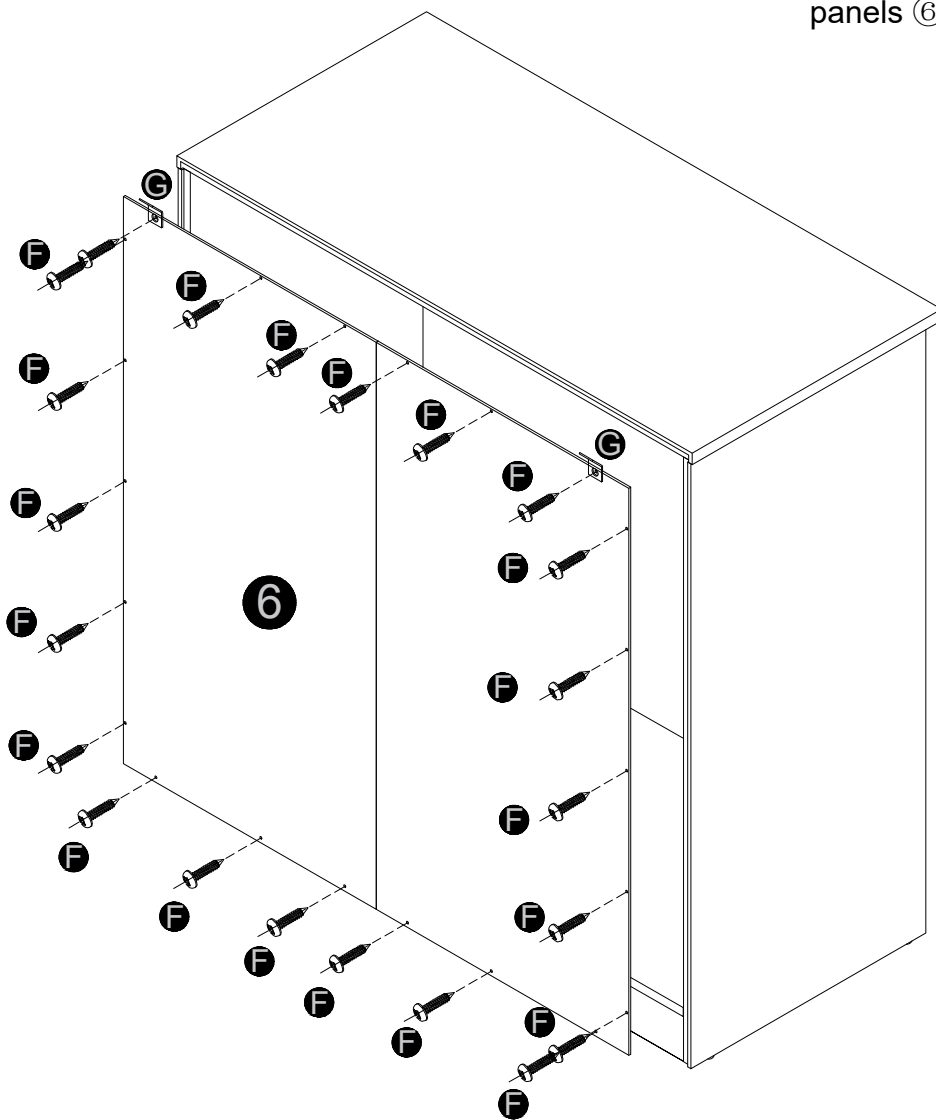
Install the back panels **6**  
using screw (F).



**F**

Umbrella head screw

Install the anti toppling  
device (G) on the back  
panels **6**



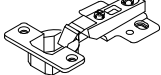
6

8pcs



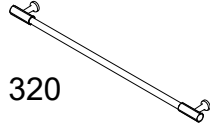
M3.5\*14

4pcs



Ø35\*8

2pcs



320

4pcs



M4\*25

2pcs

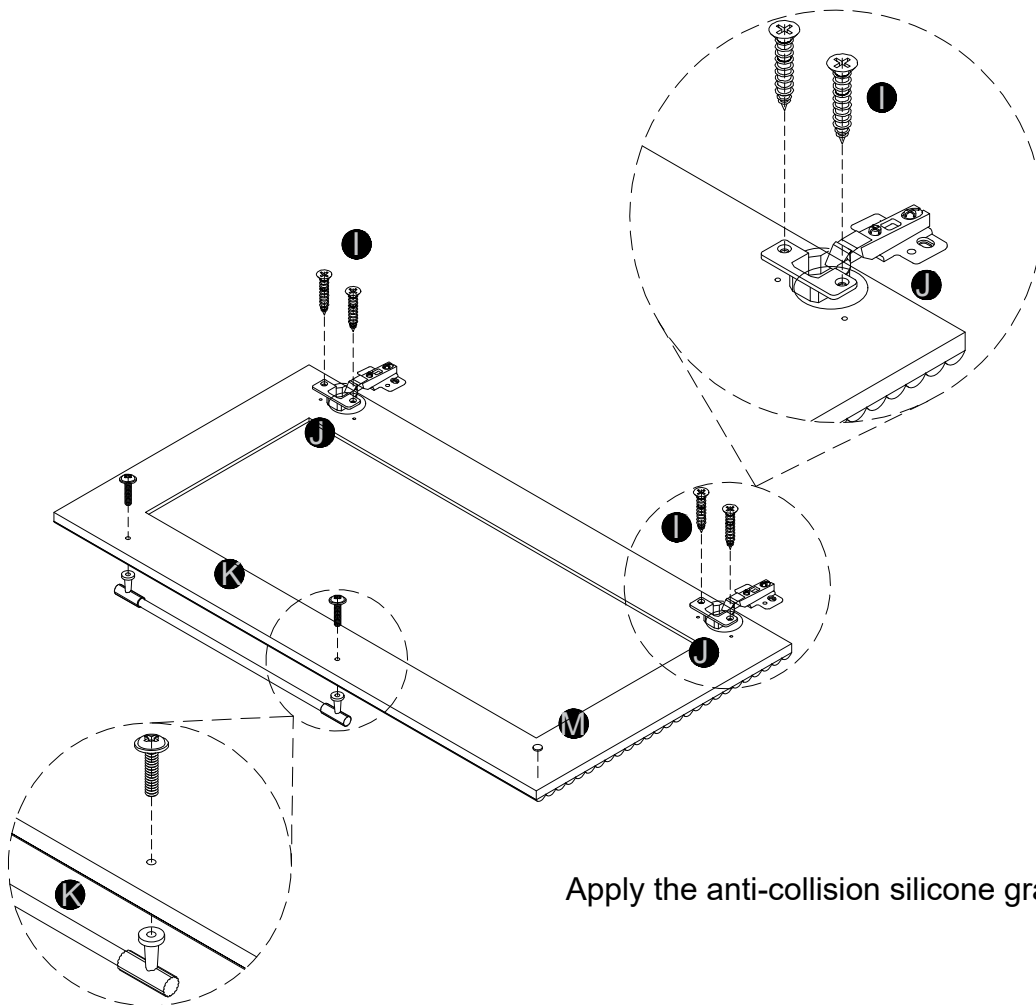


Ø10\*1



Flat head screw

Align (I) with the door leaf guide hole through sheet (J) and lightly lock it. Loosen the door leaf before it stands upright. In case there is an adjustment position in the next part.



Apply the anti-collision silicone granules

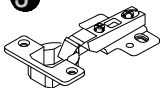
7

16pcs



M3.5\*14

Ø35\*8

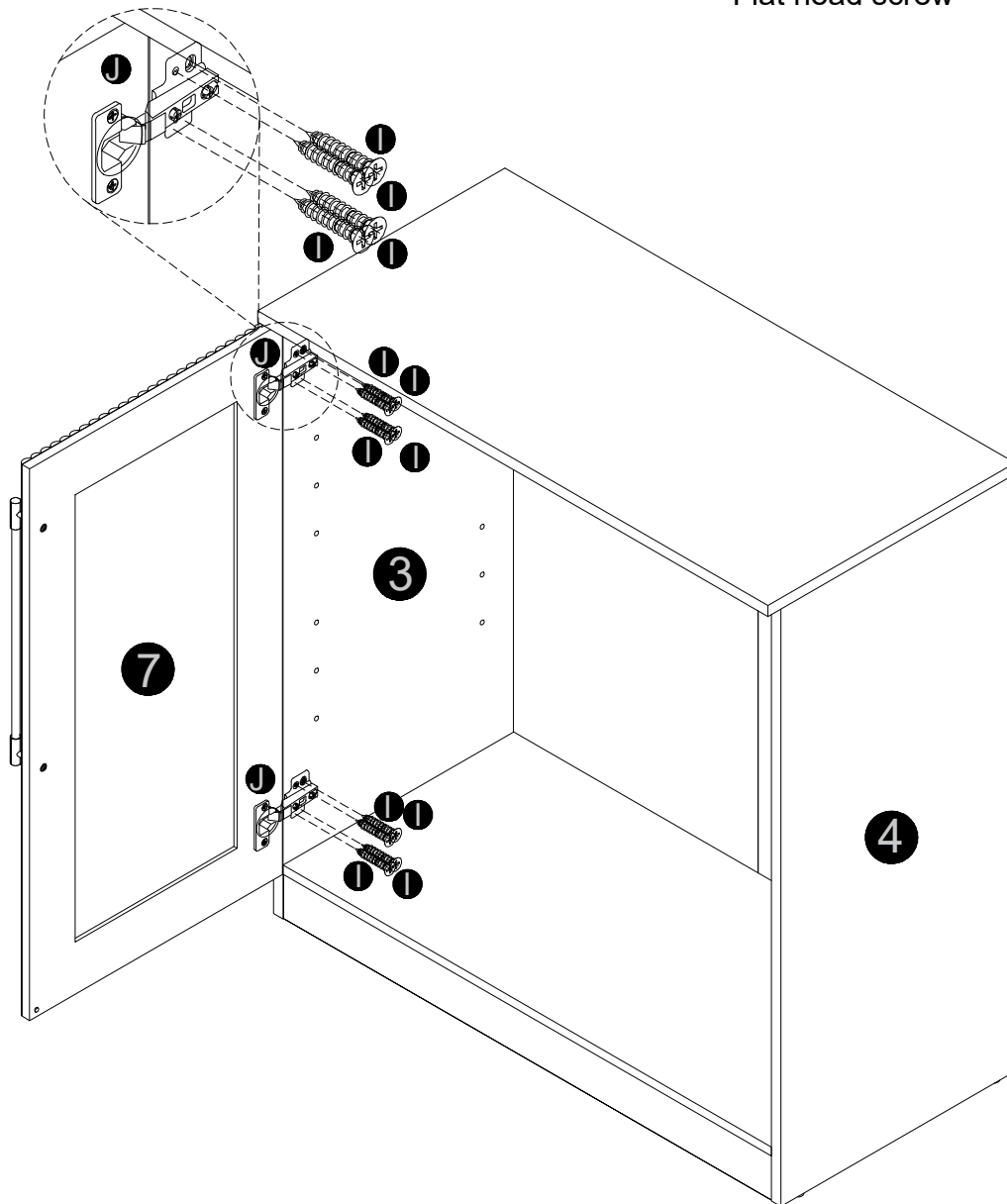


Ø35\*8



1

Flat head screw

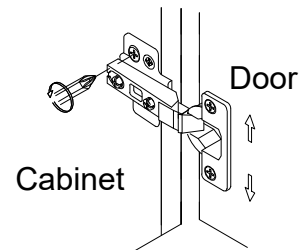
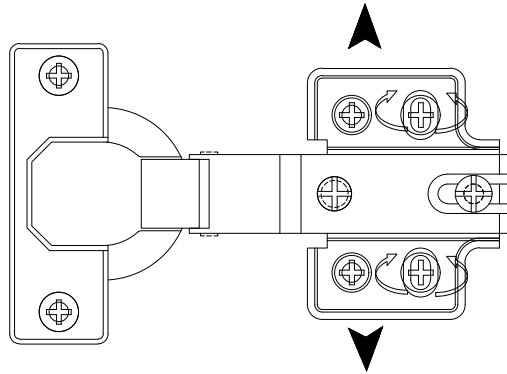
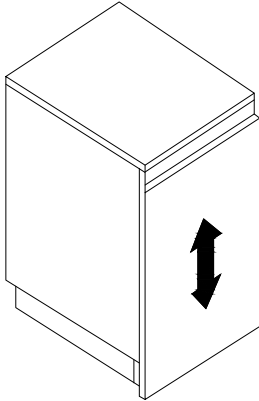


The right door is installed in the same manner as the left door. Repeat the above steps to install the right door.

# Cabinet Door Adjustment Instructions

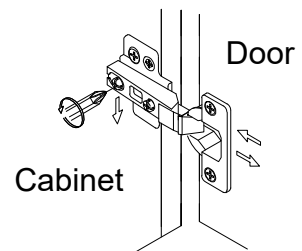
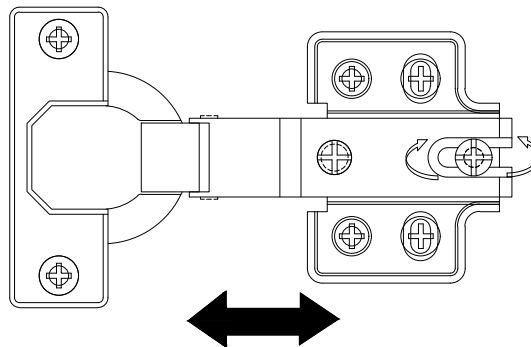
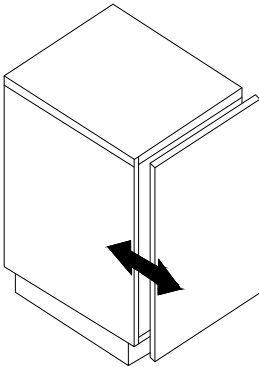
## Height adjustment:

- Locate the height adjustment screws on the hinge.
- Use the Phillips screwdriver to either tighten or loosen the screws to raise or lower the cabinet door as desired.



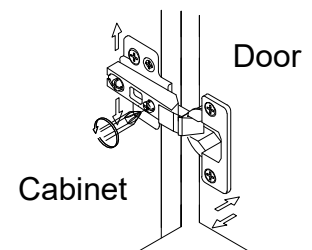
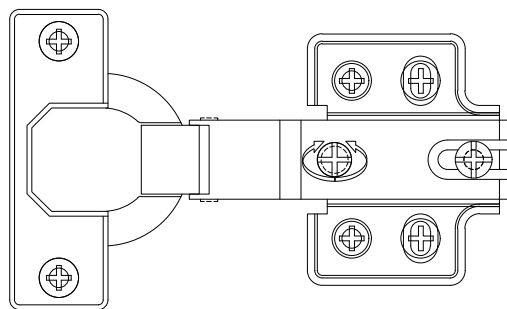
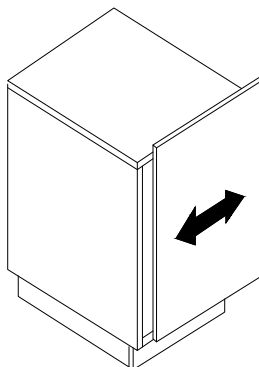
## Side-to-side adjustment:

- If the cabinet door needs to be moved closer to or away from the cabinet frame, locate the side-to-side adjustment screws on the hinge.
- Use the Phillips screwdriver to adjust these screws and gradually move the door in the desired direction.



## Depth adjustment (if applicable):

- Check if the cabinet door needs to be brought closer to or further away from the cabinet frame.
- For depth adjustment, locate the depth adjustment screws on the hinge.
- Use the Phillips screwdriver to turn these screws clockwise or counterclockwise accordingly.



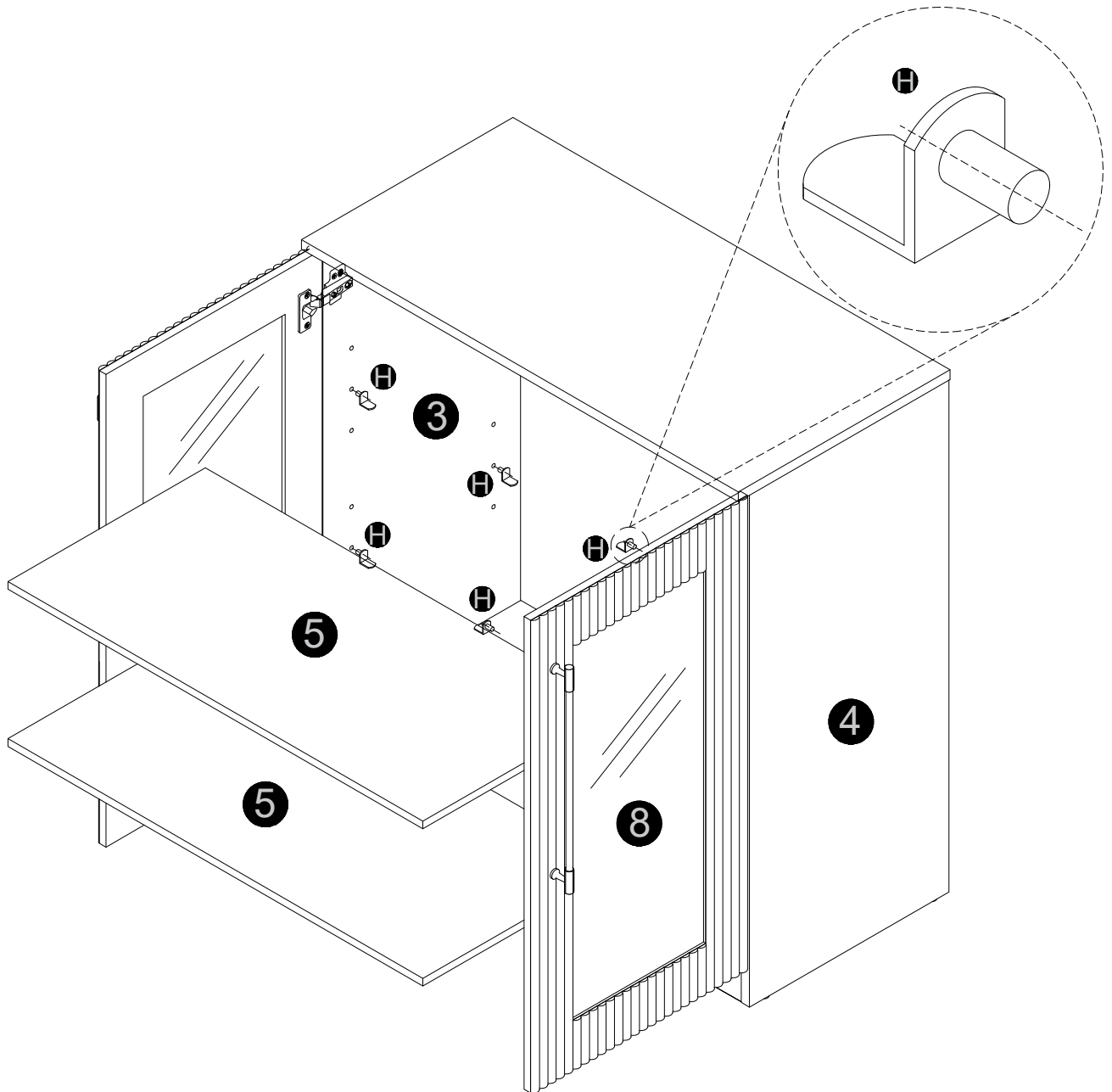
8

H 8pcs



Ø6\*10

Install shelf support pins (H) into left side panel ③ and right side panel ④ .  
Install moveable shelves ⑤.

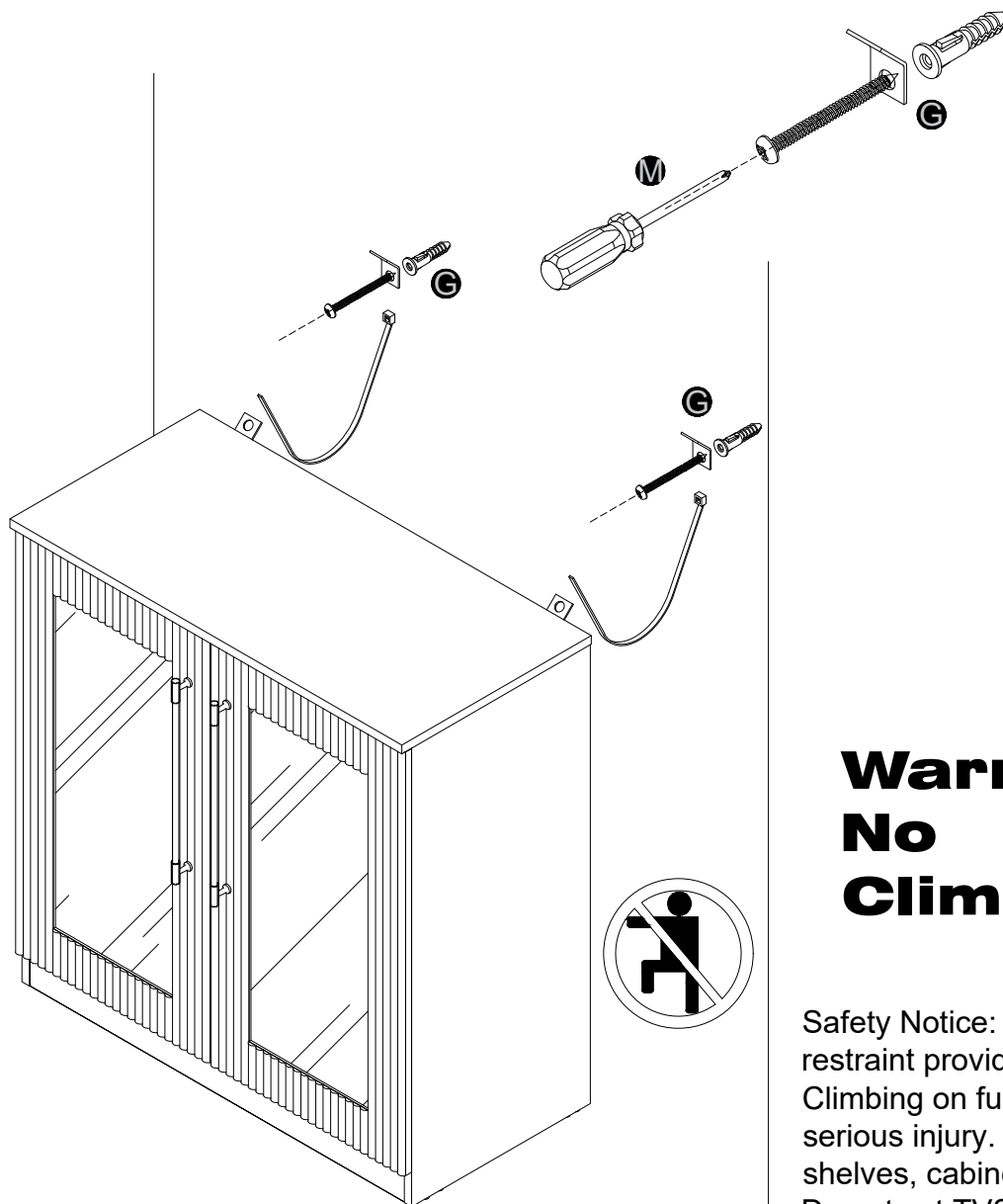
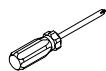


9

G 2pcs

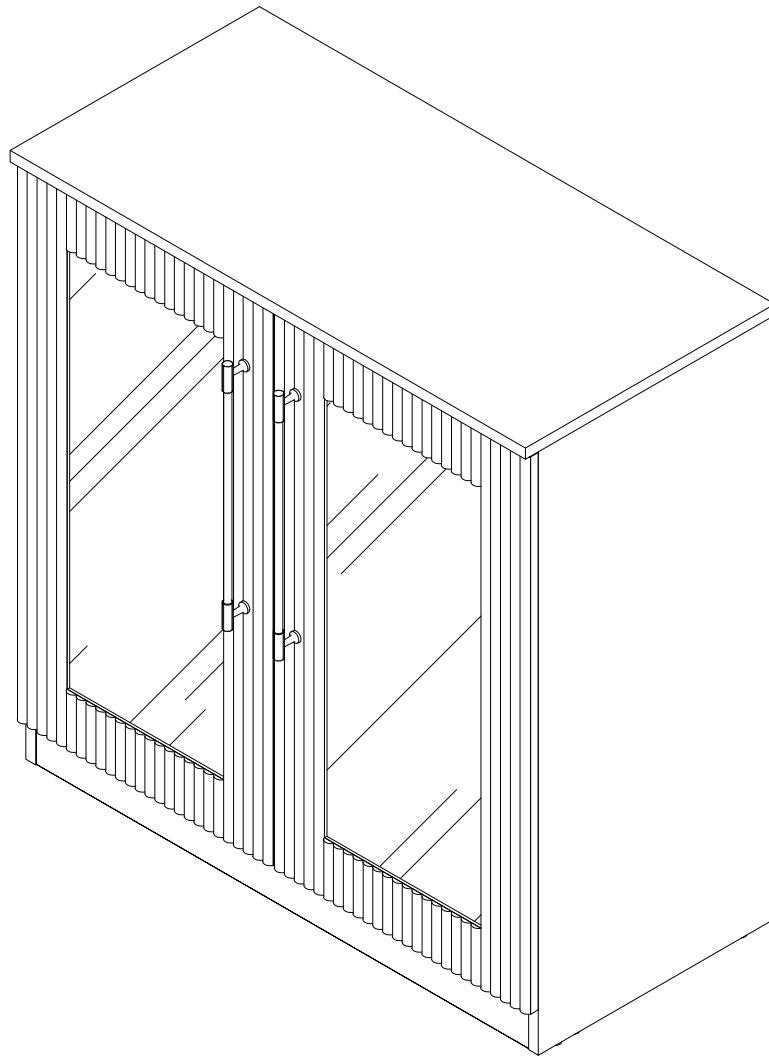


L



## Warning: No Climbing

Safety Notice: Always install tipover restraint provided. Climbing on furniture may result in serious injury. Keep children away from shelves, cabinets and furniture. Do not set TVS or other heavy objects on top of this product. Unless objects on top of this product. Unless accommodate them.



Completed