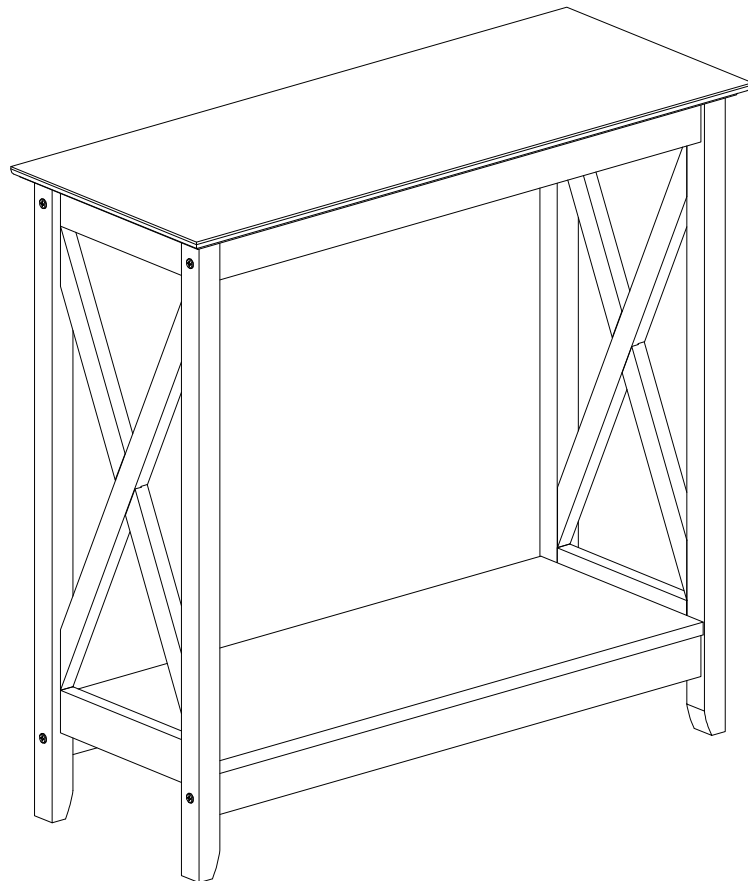


ASSEMBLY INSTRUCTIONS

Important Safety Instructions:

- Please read all instructions before beginning assembly
- Please make sure receive all the parcels to start the assembly
- For your safety and convenience, assembly by two people is recommended
- Use the parts and hardware lists to identify and separate each of the components included
- Save all packing materials until assembly is completed to avoid the accidental discarding of smaller parts or hardware



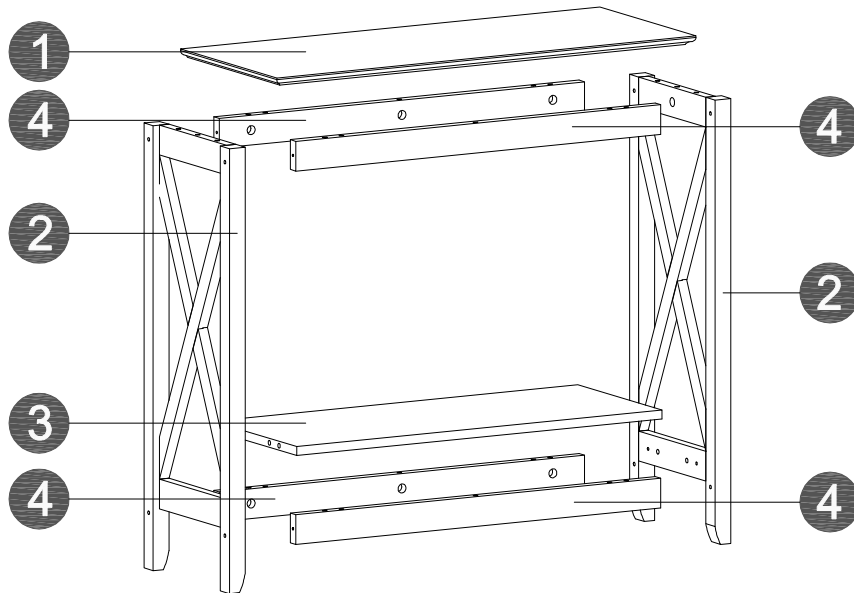
PARTS LIST

① X1

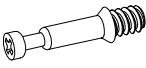


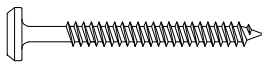
② X2

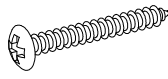
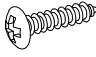
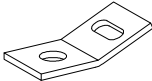
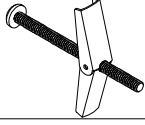

③ X1

④ X4



HARDWARE LIST

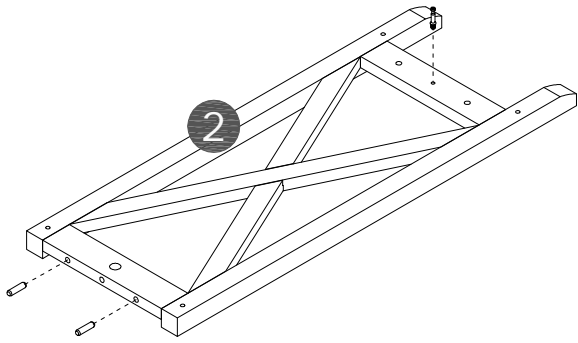
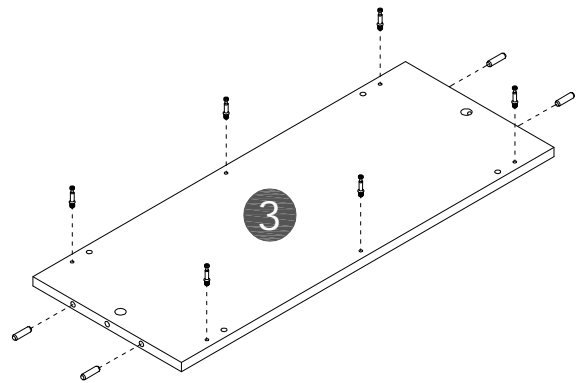
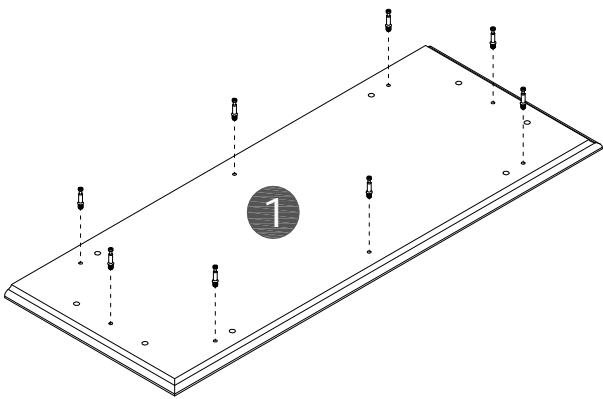
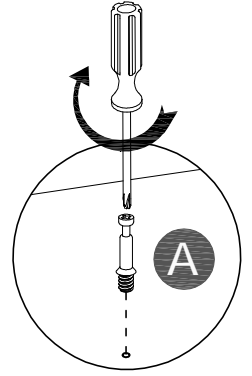
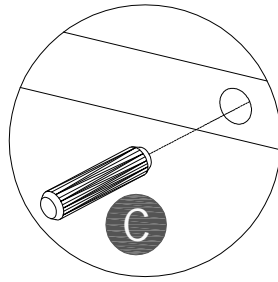
Name	Part	Qty.	Spare
A		16	1
B		16	1
C		16	1
D	 2-3/8" Screw	8	1

Name	Part	Qty.	Spare
U1		1	
U2		1	
U3		2	
U4		1	
U5		1	

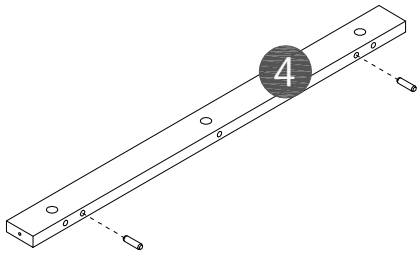
STEP 1

C x 16pcs 

A x 16pcs 



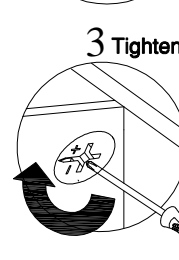
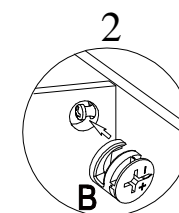
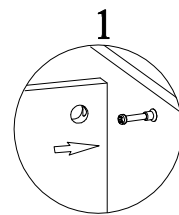
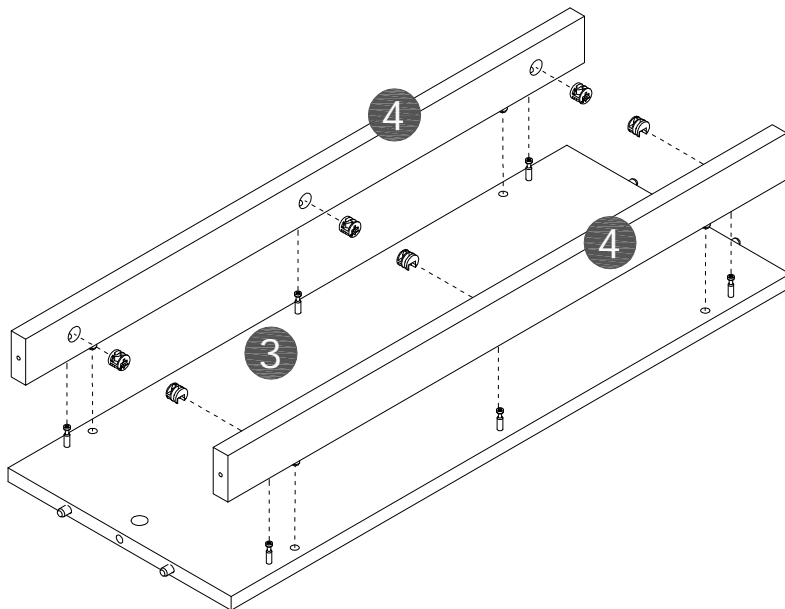
x 2



x 4

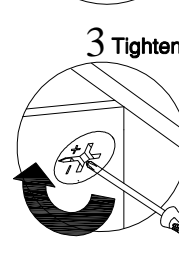
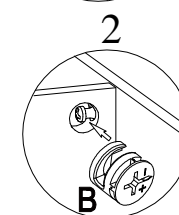
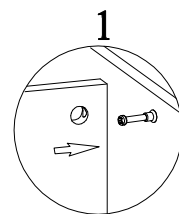
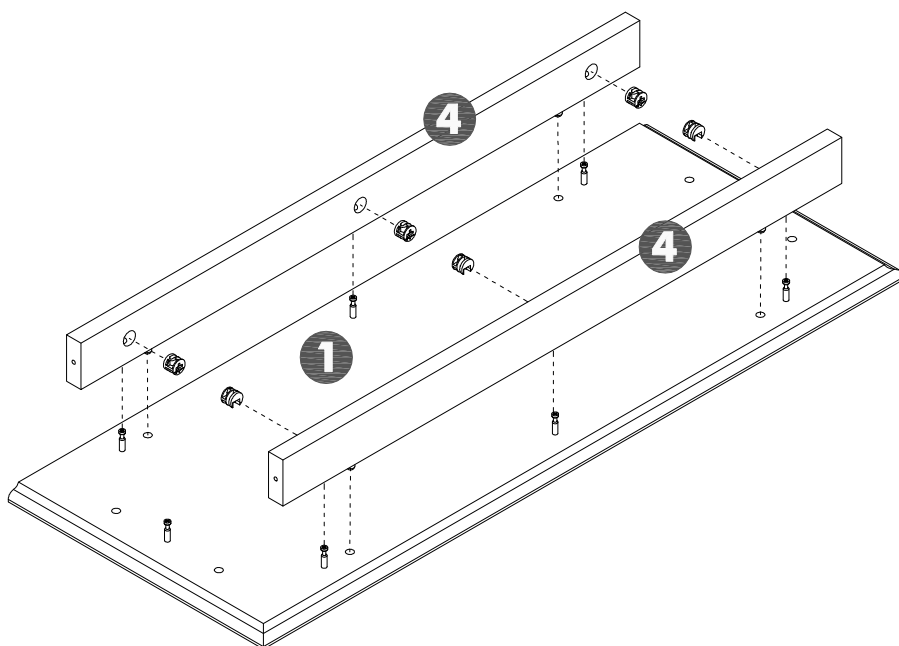
STEP 2

B x 6pcs



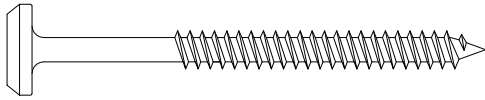
STEP 3

B x 6pcs

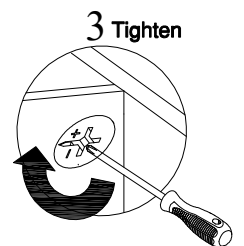
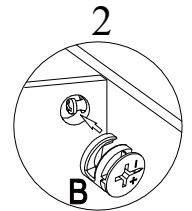
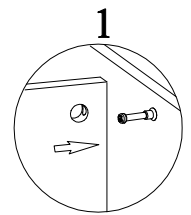
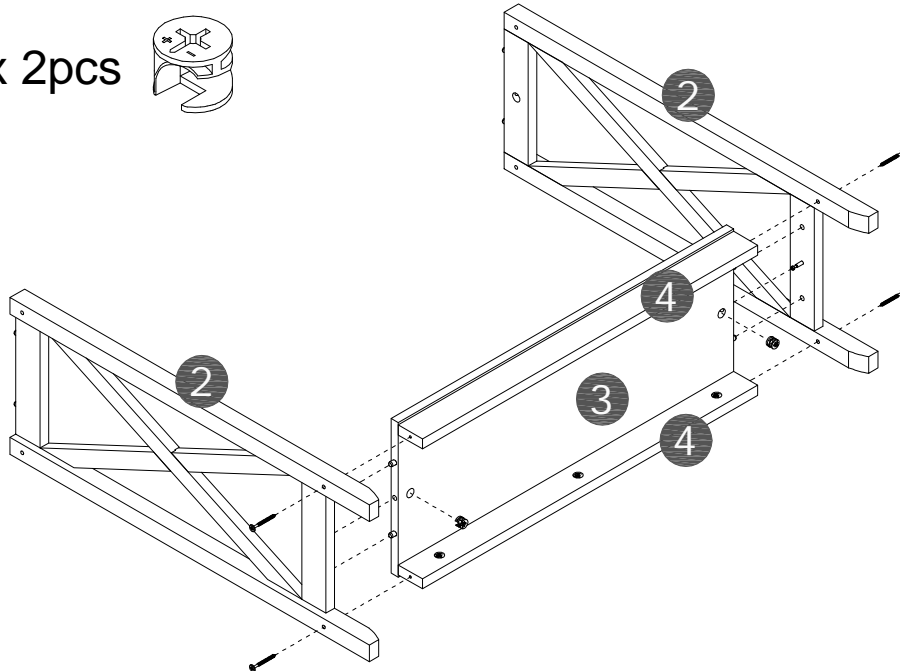


STEP 4

D x 4pcs

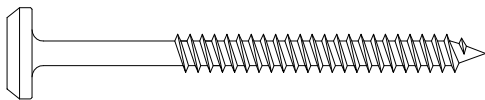


B x 2pcs

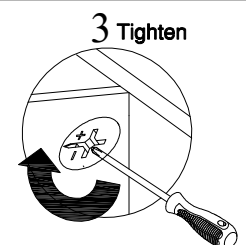
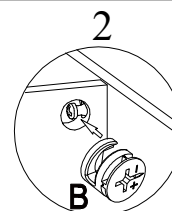
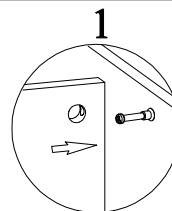
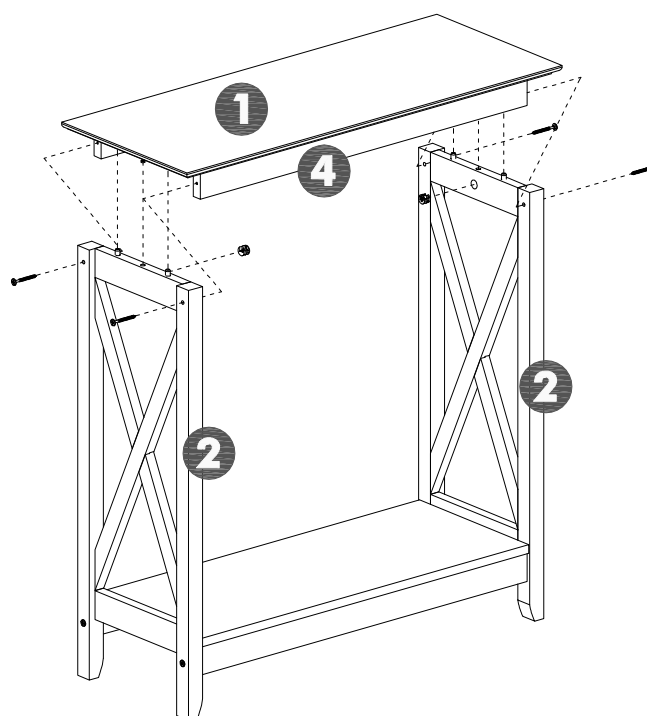


STEP 5

D x 4pcs

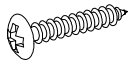


B x 2pcs

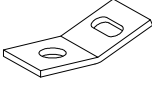


STEP 6

U2 x 1pc

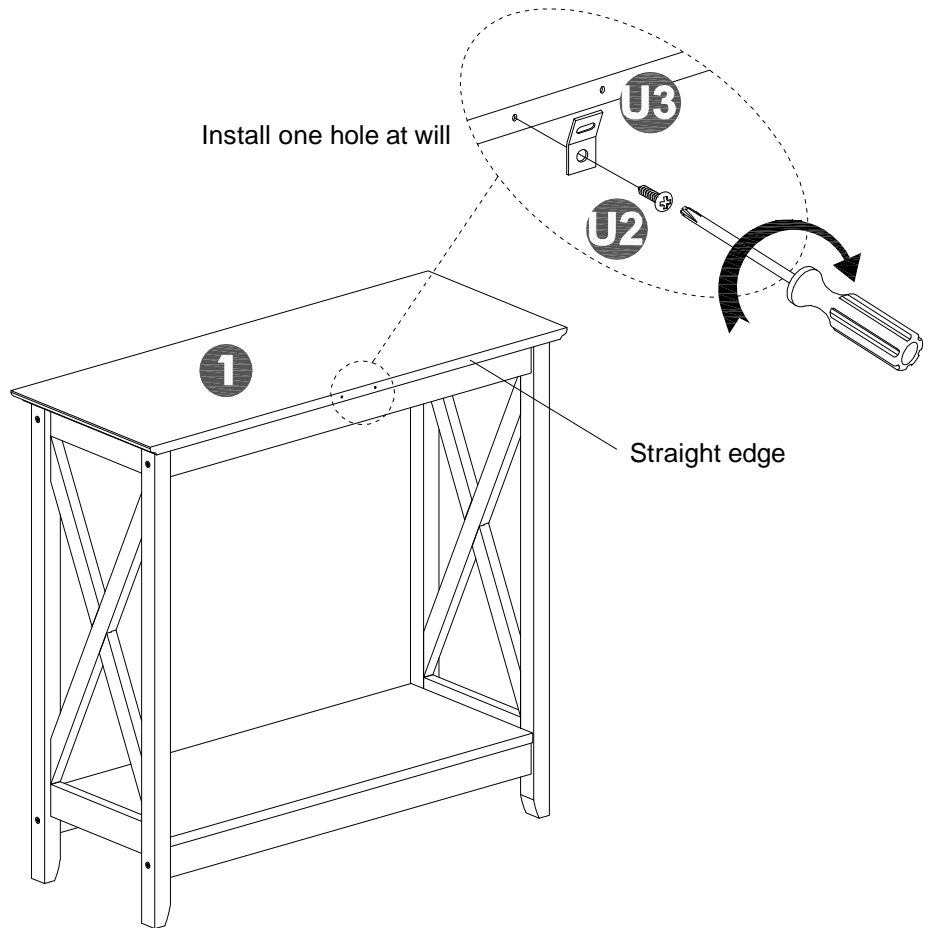


U3 x 1pc



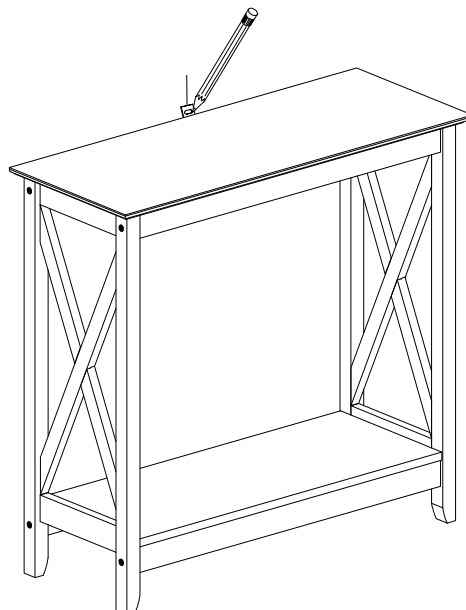
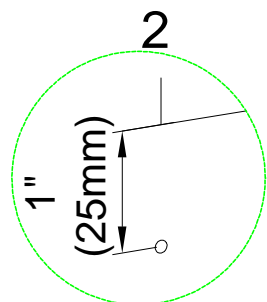
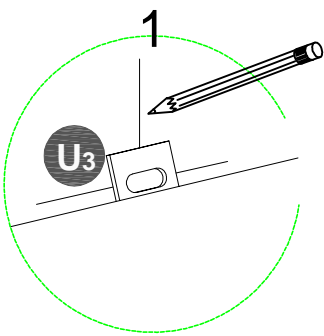
Connecting Plate

Install one hole at will



STEP 7

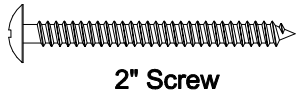
1. Place unit in desired location.
2. Locate wall stud nearest unit center.
3. On wall, mark center of stud location 1" below top of unit.
4. If a wall stud cannot be located mark hollow wall at unit center.



STEP 8

WALL STUD ATTACHMENT

U₁ x1pcs



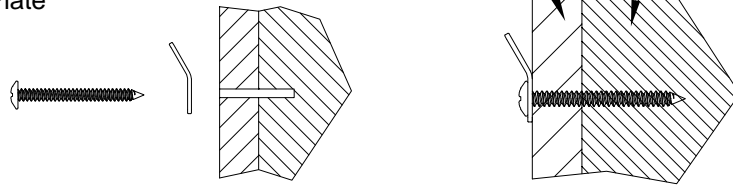
Drill 1/8" hole 2" deep at mark on wall.

U₃ x1pcs



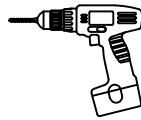
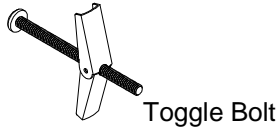
Drywall
Paneles de yeso
cloisons sèches

Wood stud
Montante de madera
Stud bois



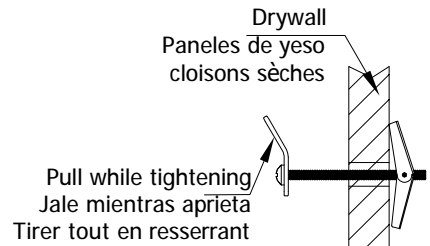
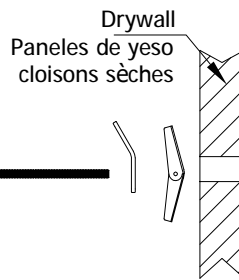
HOLLOW WALL ATTACHMENT

U₄ x1pcs



Drill 1/2" hole 1" deep at mark on wall.

U₃ x1pcs



STEP 9

U₅ x 1pc

