

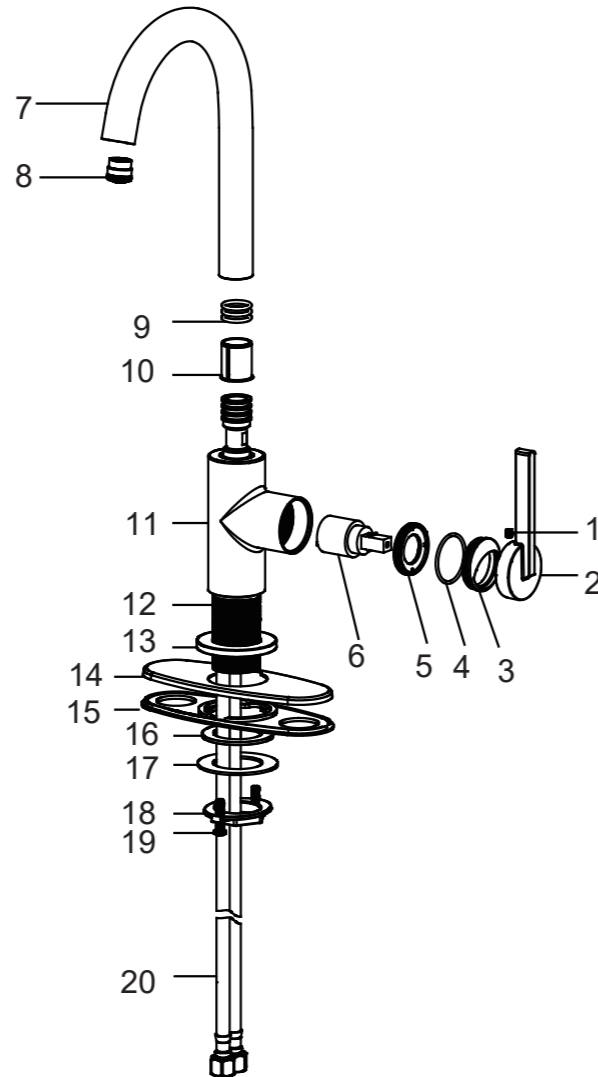
UF14300
UF14303
UF14307

KREE Series

Single Handle Bar Faucet
with Deck Plate



NO.	Description	Part No.
1	Screw	30105
2	Handle	13210CP/BN/MT
3	Cap	13206CP/BN/MT
4	O-Ring A	28887
5	Bonnet	13207
6	Cartridge	Y85014
7	Spout	13213CP/BN/MT
8	Aerator	22515
9	O-Ring B	28886
10	Ring	28835
11	Body assembly	13201CP/BN/MT
12	Shank	33163
13	Flange	13202CP/BN/MT
14	Escutcheon	35161CP/BN/MT
15	Base plate	50713
16	Rubber washer	06305
17	Metal washer	08326
18	Mounting nut	85587
19	Screws	08327
20	Hose	S50955H&C

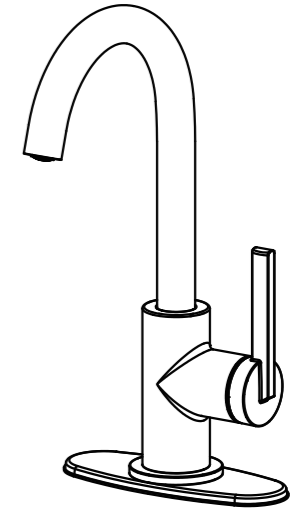


Installation/Installation/Instalación

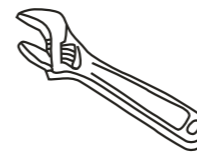
CUSTOMER SERVICE

TOLL-FREE 1-888-OK-ULTRA (658-5872)

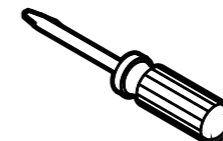
UF14300 - Chrome
UF14303 - Brushed Nickel
UF14307 - Matte Black



Tools You Will Need / Outils dont vous aurez besoin / Herramientas necesarias



Adjustable Wrench
Clé à molette
Llave ajustable



Phillips Screwdriver
Tournevis Phillips
Destornillador cruciforme



Pipe Tape
Ruban pour tuyau
Cinta selladora para rosca



Groove joint pliers
Pince multiprise
Pinzas ajustables

Limited Lifetime Warranty

Ultra Faucets warrants to the original purchaser that its products will be free from defects in workmanship and materials. All Ultra Faucets are provided with a life time limited warranty. This warranty does not cover any other labor or service charges associated with the removal, repair, or reinstallation of Ultra Faucets products. This express warranty does not apply to products that have been damaged as a result of misuse, abuse, negligence, accident, faulty installation or maintenance practices and/or used in any manner contrary to those recommended by the manufacturer.

Need help? Please call our toll-free customer service line at 1-888-658-5872 for additional assistance or service.

Besoin d'aide? Veuillez communiquer avec notre service à la clientèle au numéro gratuit 1-888-658-5872 pour tous renseignements ou services complémentaires.

Requiere asistencia? Llame a nuestro Servicio al Cliente, sin costo, al 1-888-658-5872 para asistencia adicional o servicio.

SAFETY TIPS

- If you use soldering for the installation of the faucet, the seats, cartridges and washers will have to be removed before using flame. Otherwise, warranty will be void on those parts.
- Cover your drain to avoid losing parts.
- 0°C~55°C.

CONSIGNES DE SÉCURITÉ

- Si vous posez le robinet par brasage, il est essentiel de retirer les sièges, les cartouches et les rondelles avant d'appliquer la flamme, faute de quoi la garantie sur ces pièces sera annulée.
- Couvrez le drain pour ne pas perdre des pièces.
- 0°C~55°C.

CONSEJOS DE SEGURIDAD

- En el caso de utilizar soldadura para instalar el grifo, remueva los asientos, cartuchos y arandelas antes de usar la llama. De lo contrario, se anulará la garantía para esos componentes.
- Tape la boca del desagüe para prevenir la pérdida de piezas pequeñas.
- 0°C~55°C.

Installation/Installation/Instalación

UF14300
UF14303
UF14307



Care & Maintenance:

* To keep the product clean & shining, follow the steps below:

- 1. Rinse with clean water & dry with a soft cloth.
- 2. Do not clean with soaps, acid, polish, abrasives, or harsh cleaners.
- 3. Do not use cloth with a coarse surface.
- 4. Unscrew the aerator and clean when necessary.



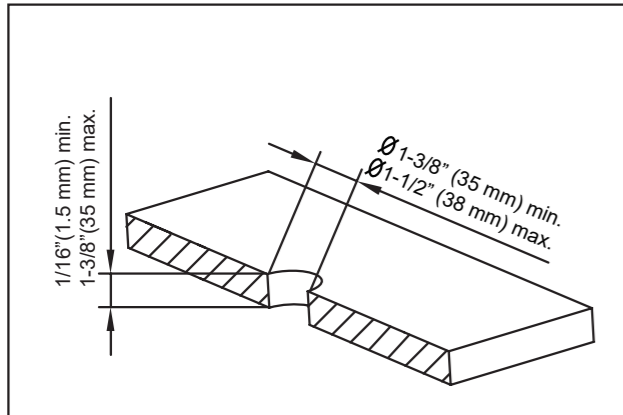
This installation manual is subject to change without further notice.

Please read your care and maintenance documentation to determine the limits of proper use.

This product has been manufactured and tested to the highest quality standards. We offer our customers thoughtfully crafted fixtures & accessories, engineered for enduring performance over years of use.

Prior to Installation:

- Turn off the hot and cold water supply at the angle stops and turn on the old faucet to release any built up pressure. Remove existing faucet. Clean sink or countertop to remove any debris, plumber's putty, or silicone.
- Place bucket under angle stops. Turn on to flush any debris prior to installing new plumbing. Shut off angle stops.
- Pre-drilled hole size requirement: 1-3/8" (min) – 1-1/2" (max)
- Max countertop thickness: 1-3/8"



1

Place flange(13) and escutcheon assembly(14&15) on bottom of new faucet before positioning faucet through the mounting hole.

2

Assemble rubber washer(16), metal washer(17) and thread mounting nut(18) onto shank form underside of sink. Hand tighten, secure locking screws(19) on mounting nut(18) and tighten locking screw(19) using screw driver.

3

Thread hot & cold waterlines onto angle stops. Tighten with adjustable wrench until snug. Turn on the angle stops and check for leaks .
 (DO NOT TURN FAUCET ON)

4

Loosen aerator with wrench or coin. Remove aerator(8). Turn water on for 1 minute to remove any debris. Reassemble aerator(8) .

Trouble-Shooting:

If you have followed the instructions carefully and your faucet still does not work properly, take the following corrective steps:

PROBLEM	CAUSE	ACTION
Leakage under handles	Hot or cold cartridge may be loose	Remove metal handle. Tighten hot or cold cartridge with adjustable wrench
Aerator drips or has inconsistent water flow pattern	Aerator may be dirty or not seated properly	Unscrew aerator with aerator key and clean out debris
Water will not shut off completely	Hot or cold cartridge may need to be adjusted or replaced	Remove metal handle. Remove hot or cold cartridge with adjustable wrench. Check for cracks
Drain is leaking	Washers may be compromised or installed incorrectly	Check washers to make sure they are installed correctly and not cracked