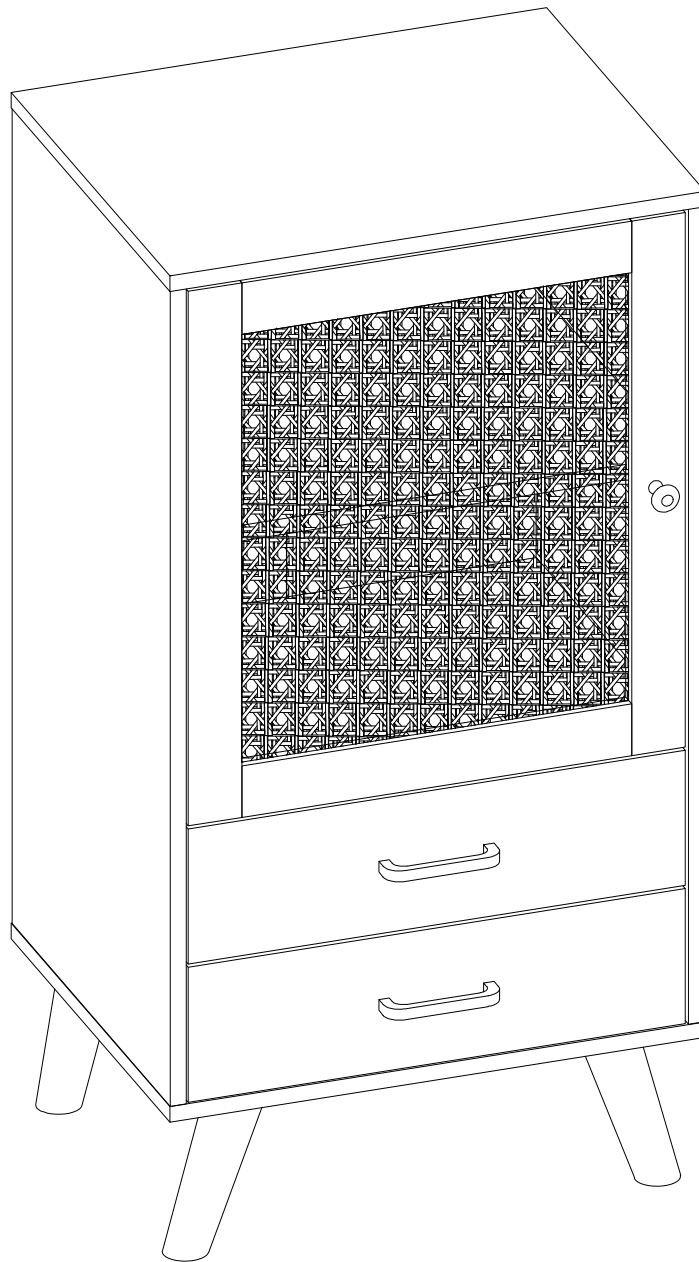
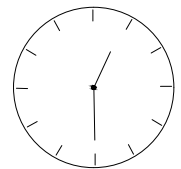
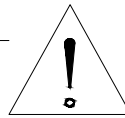
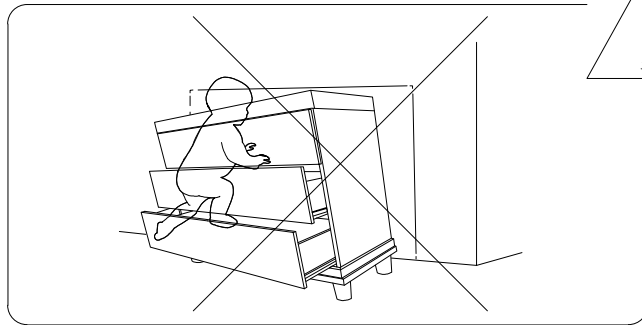
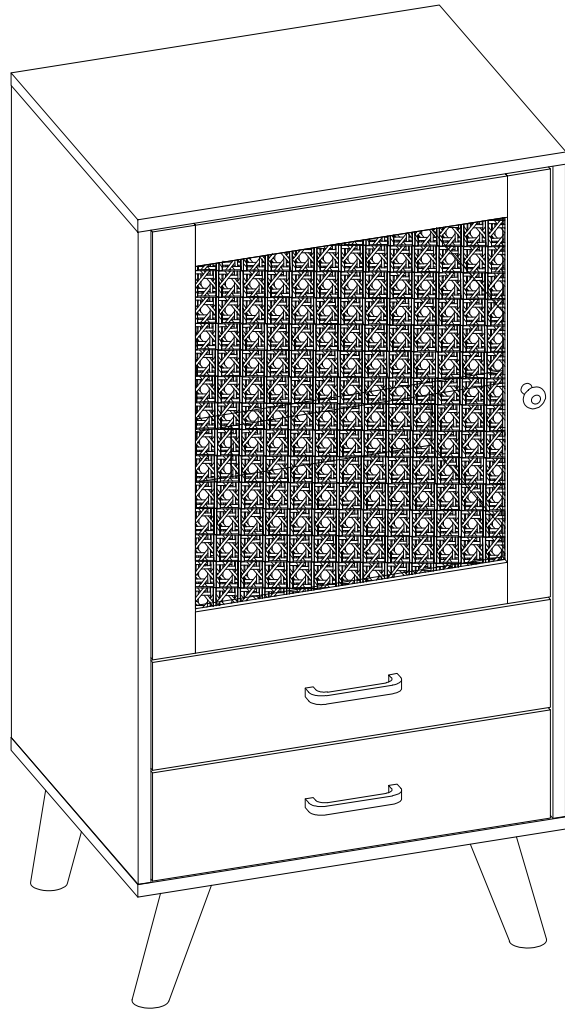
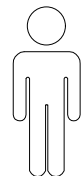
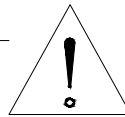
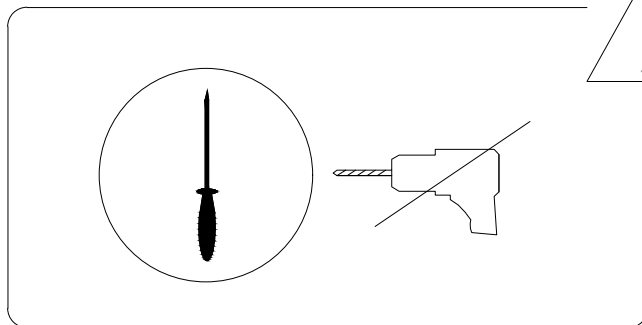


ASSEMBLY INSTRUCTIONS

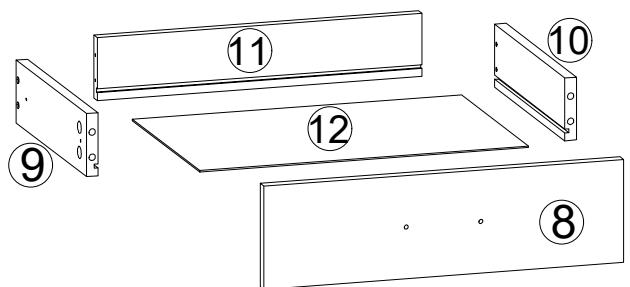
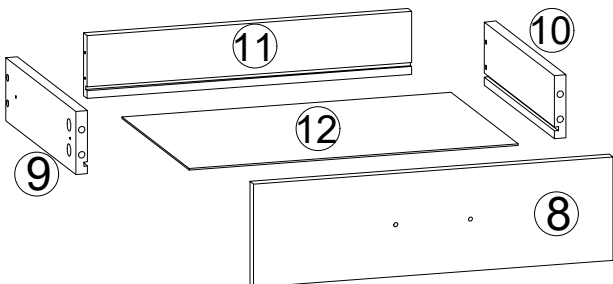
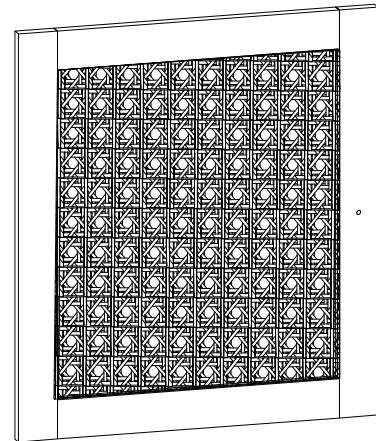
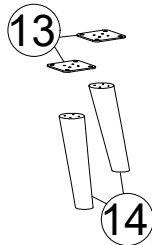
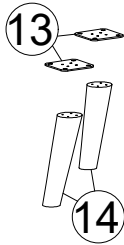
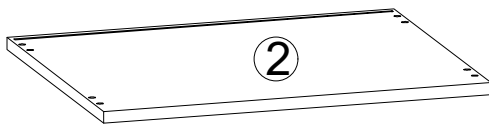
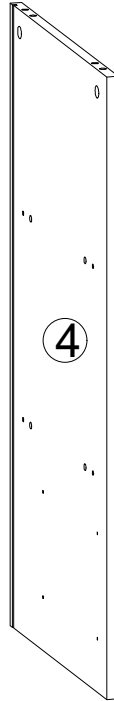
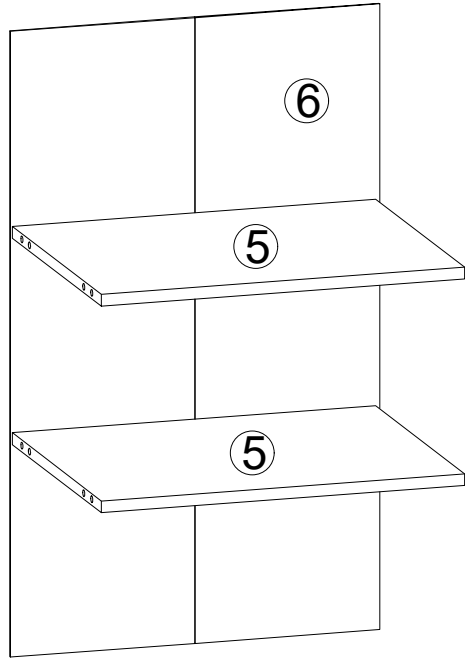
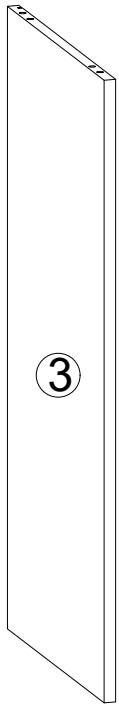
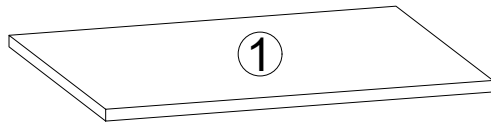




90'



2



A x20



φ6x35mm

B x20



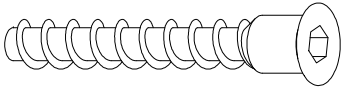
φ15x12mm

C x16



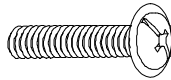
φ8x30mm

D x4



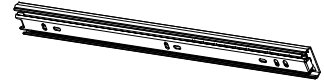
φ7x40mm

E x5

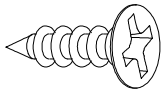


M4x18mm

F x4

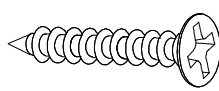


G x28



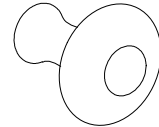
M3.5x14mm

H x8

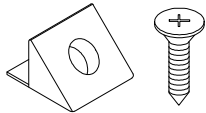


M4x35mm

I x1



J x8

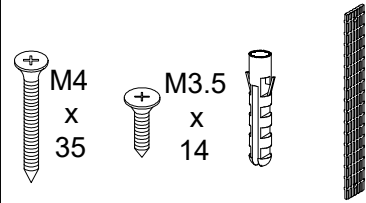


K x1



M4

L x2

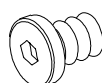


M x16



M4x30mm

N x16

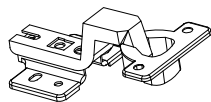


M6x12mm

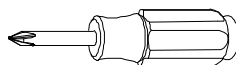
O x2



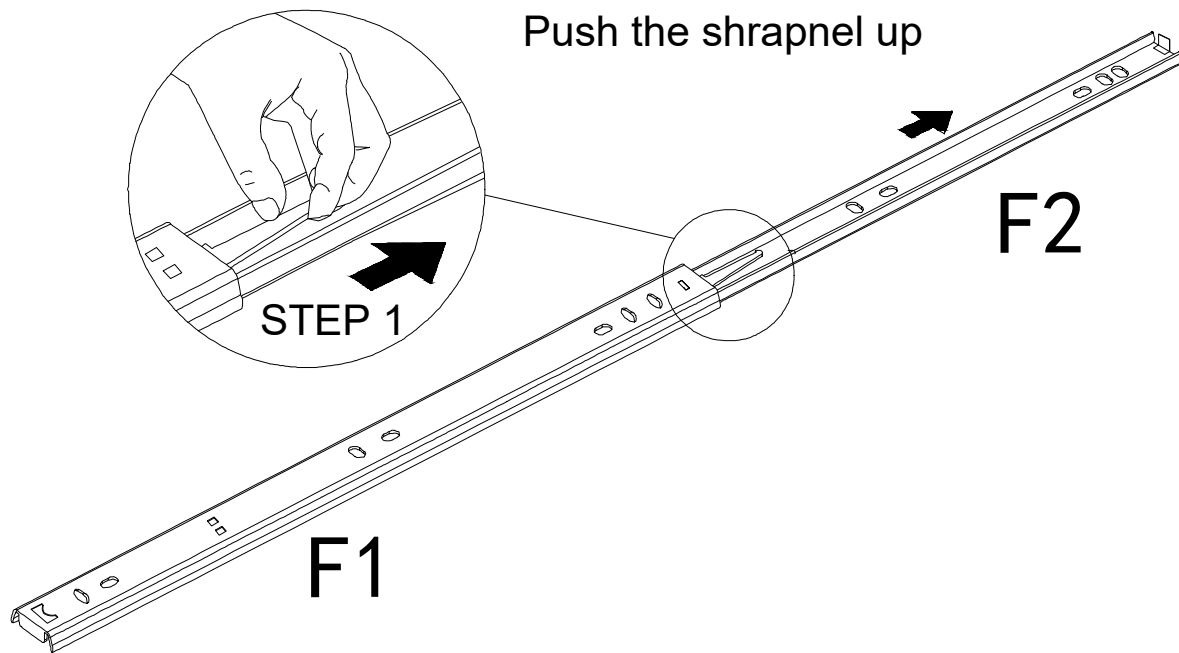
P x2



x1

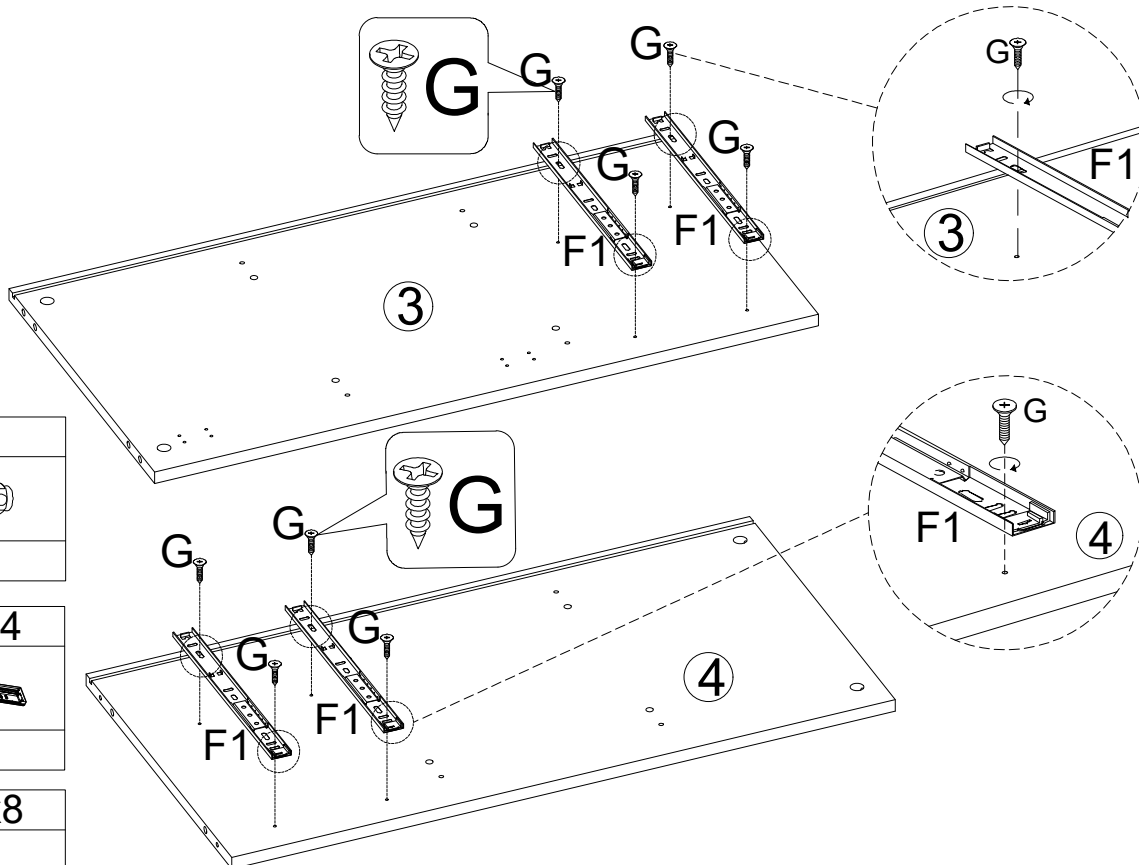


1



F	x4

2

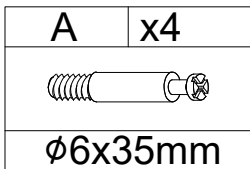
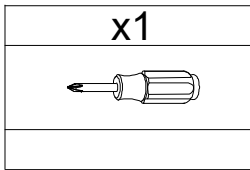
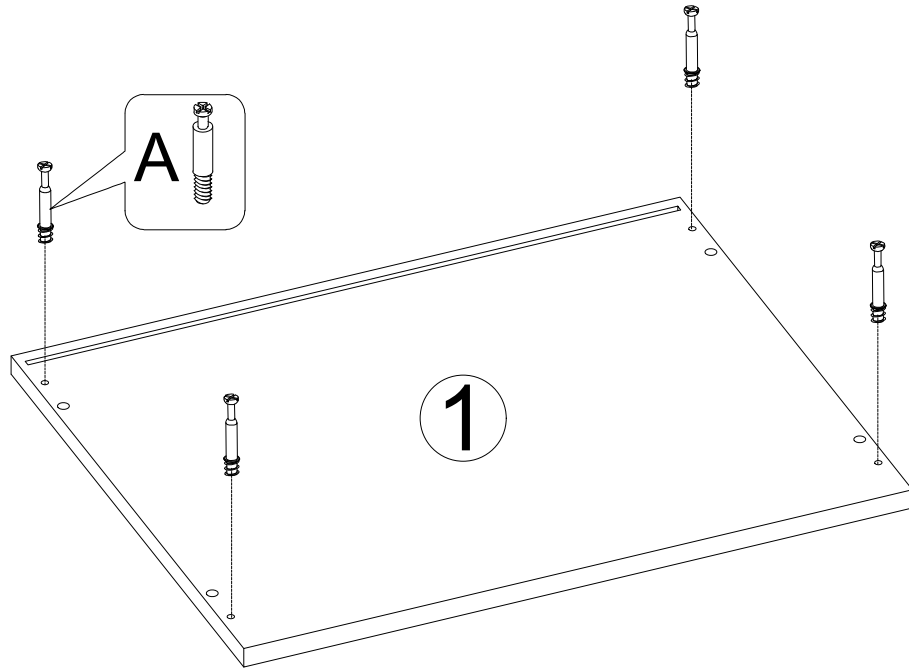


x1	

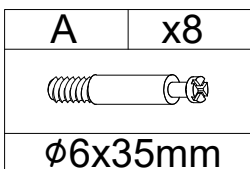
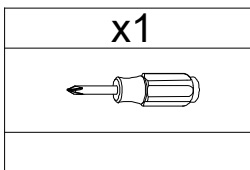
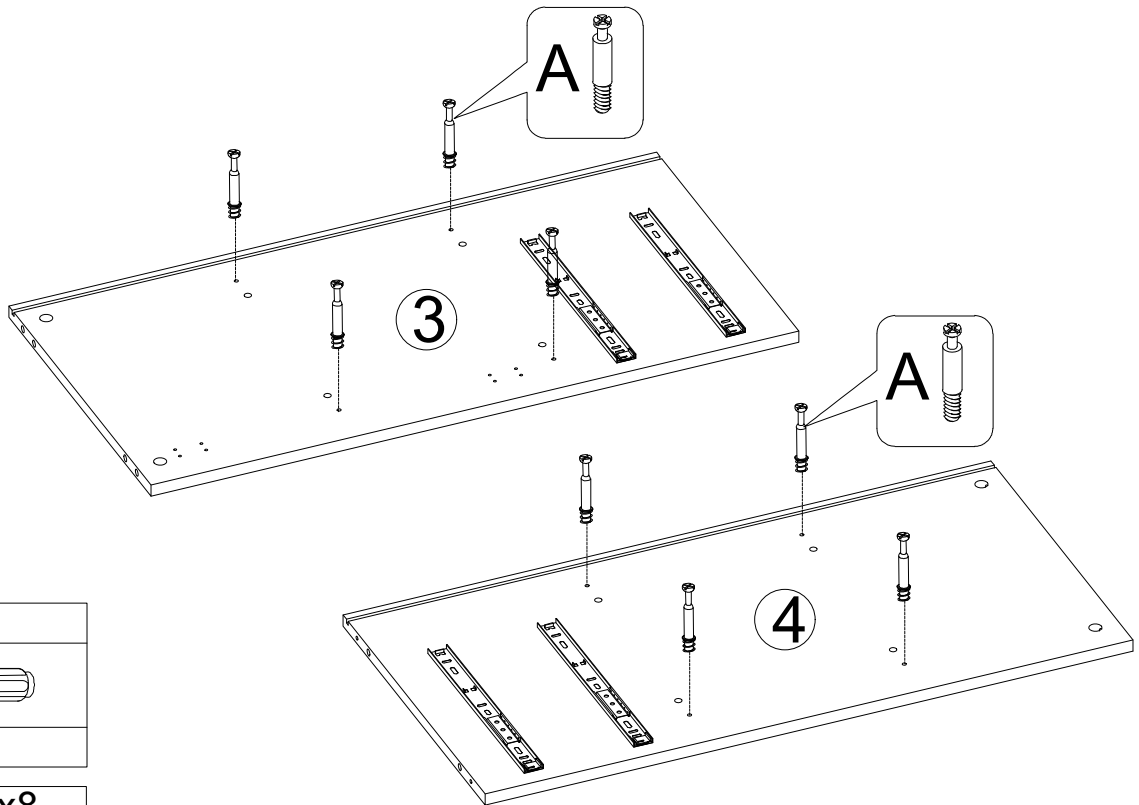
F	x4

G	x8
M3.5x14mm	

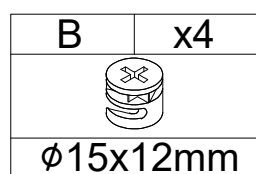
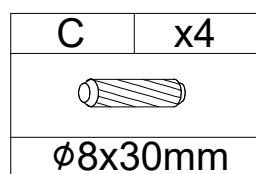
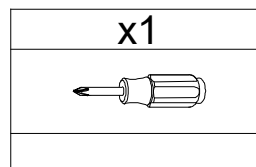
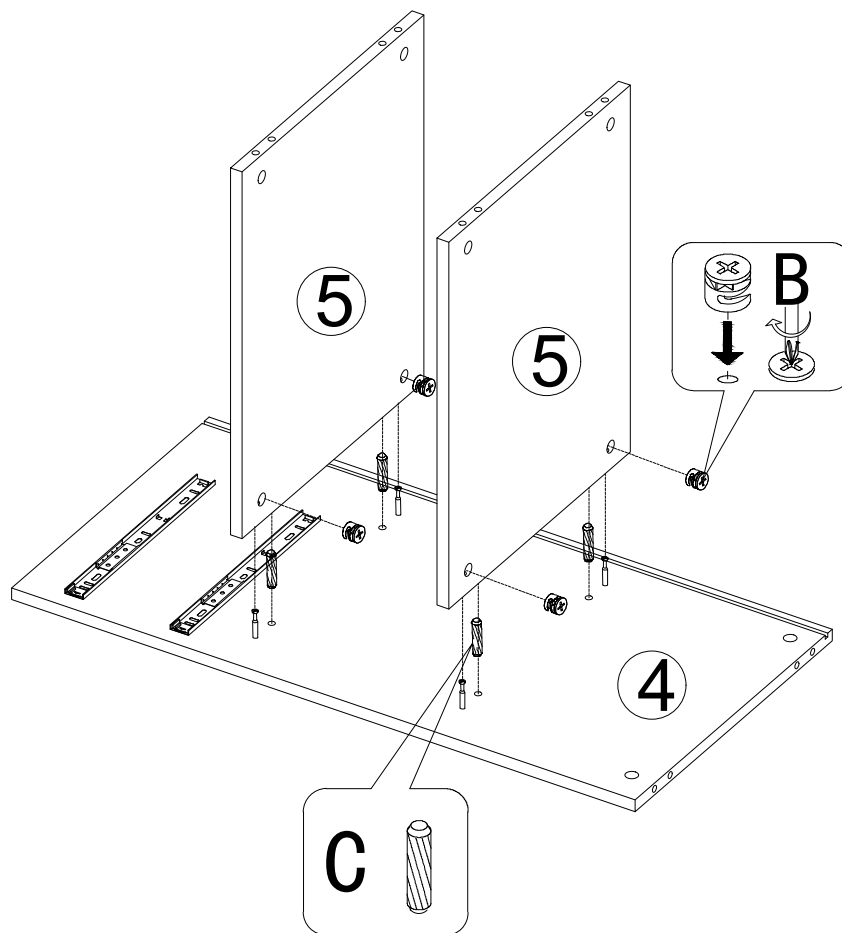
3



4

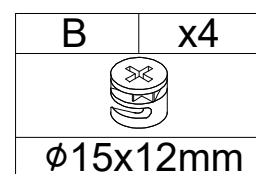
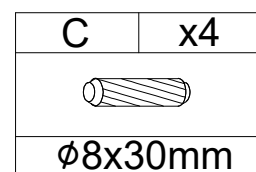
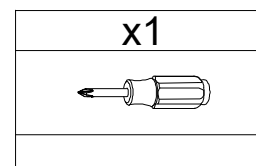
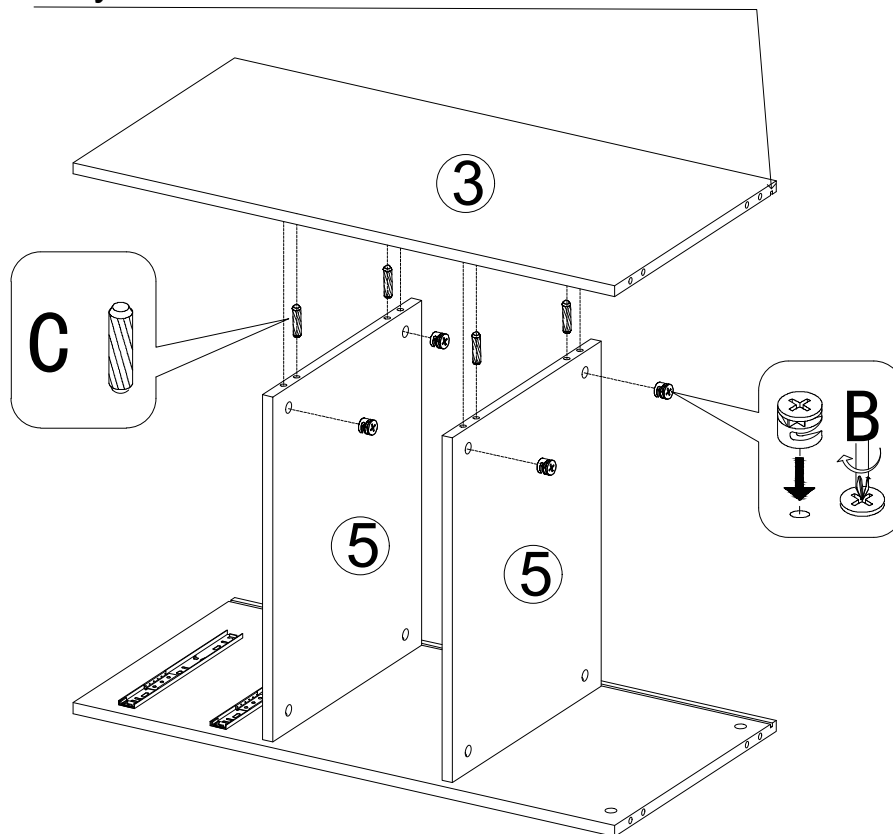


5




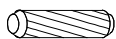

6

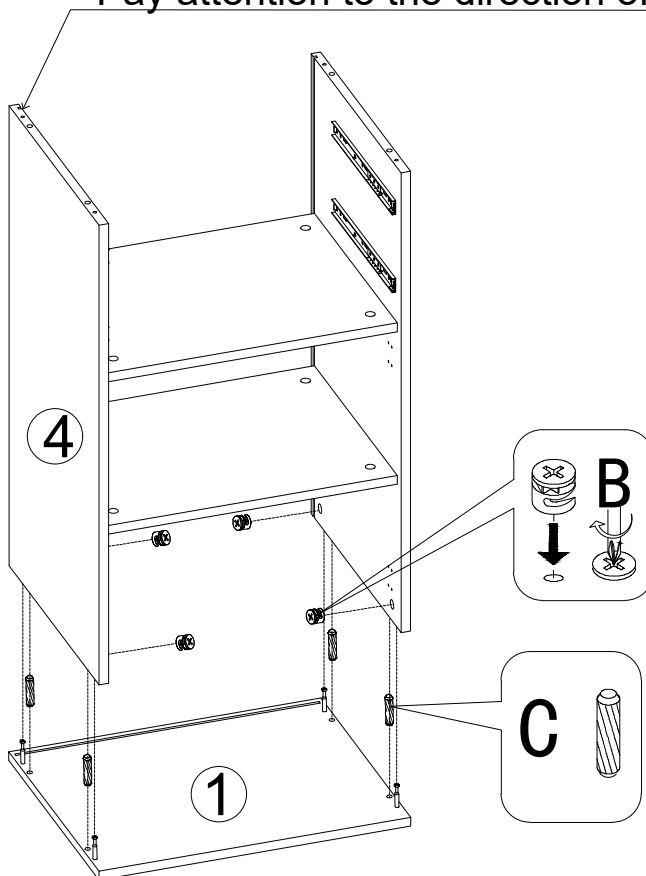
Pay attention to the direction of the slot



7

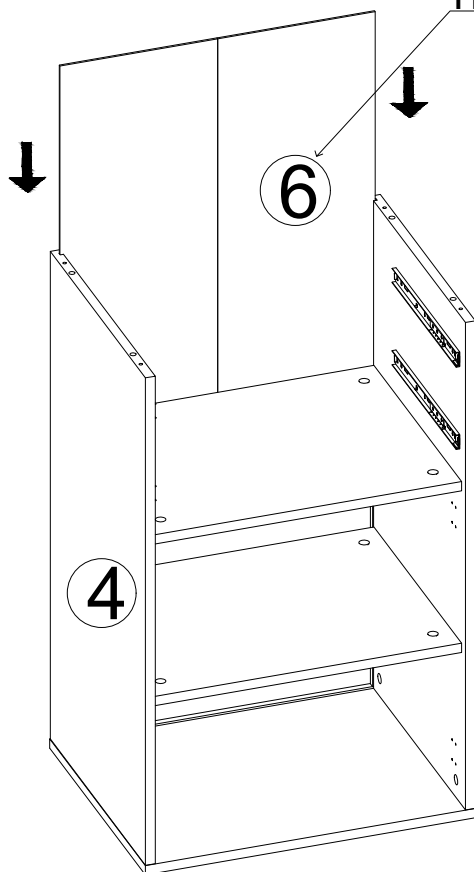
Pay attention to the direction of the slot

- x1

- C x4

ø8x30mm
- B x4

ø15x12mm

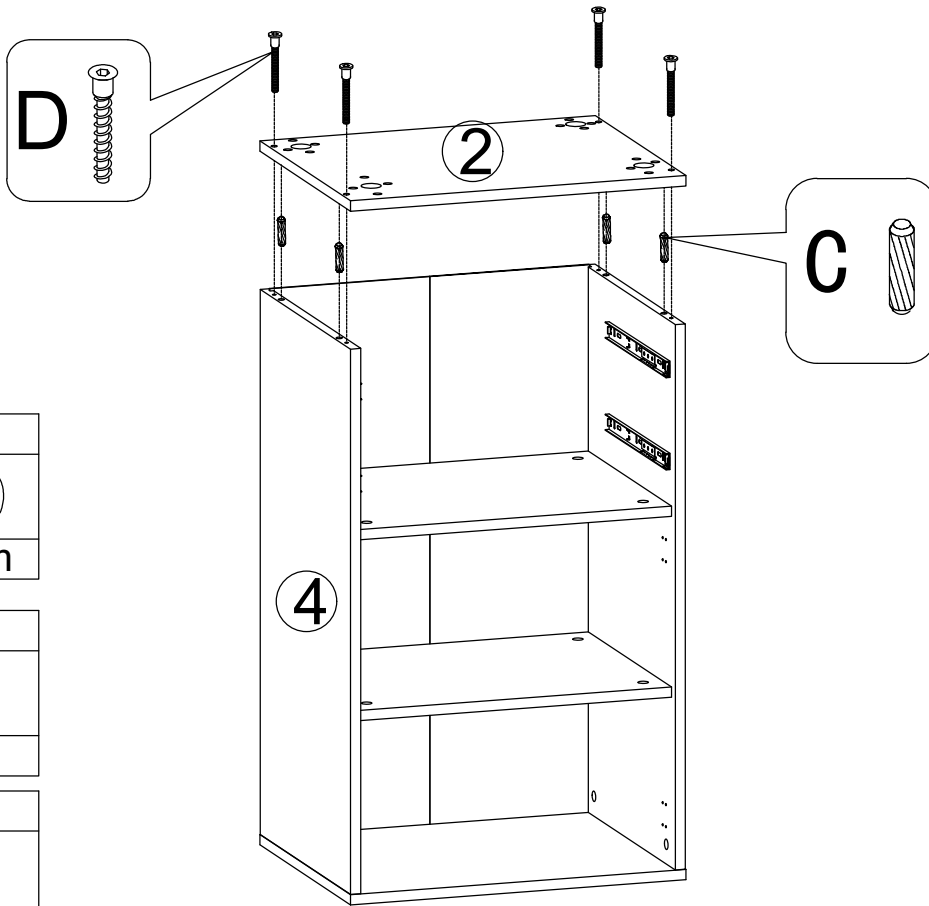


8

The halogen faces outward



9

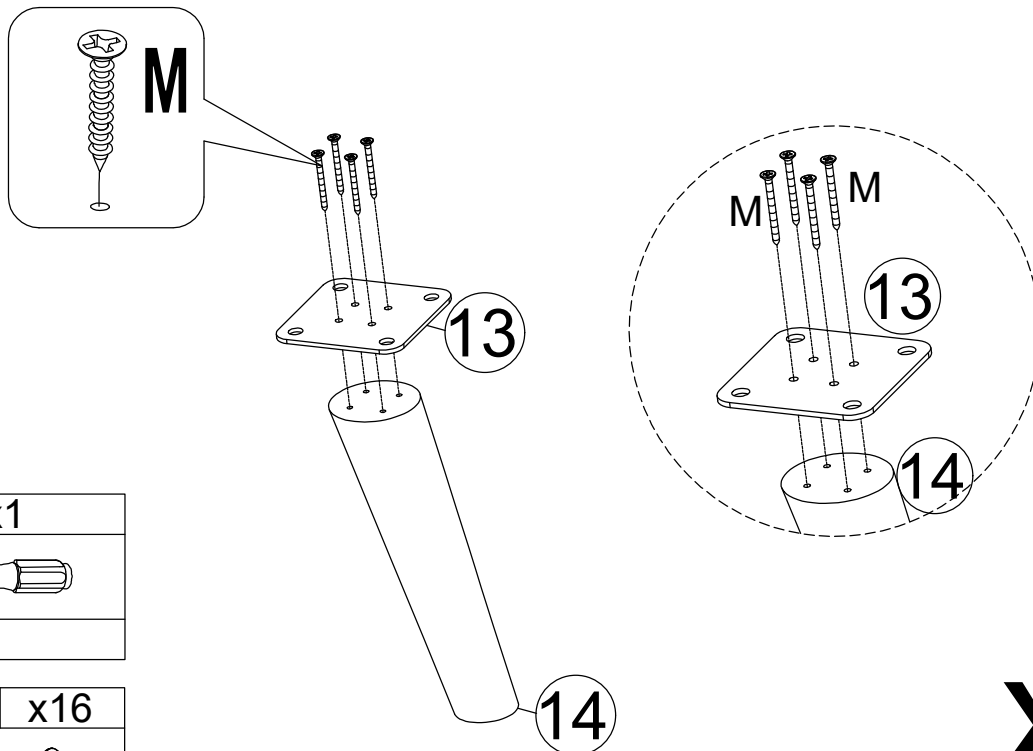


D	x4
φ7x40mm	

K	x1
M4	

C	x4
φ8x30mm	

10



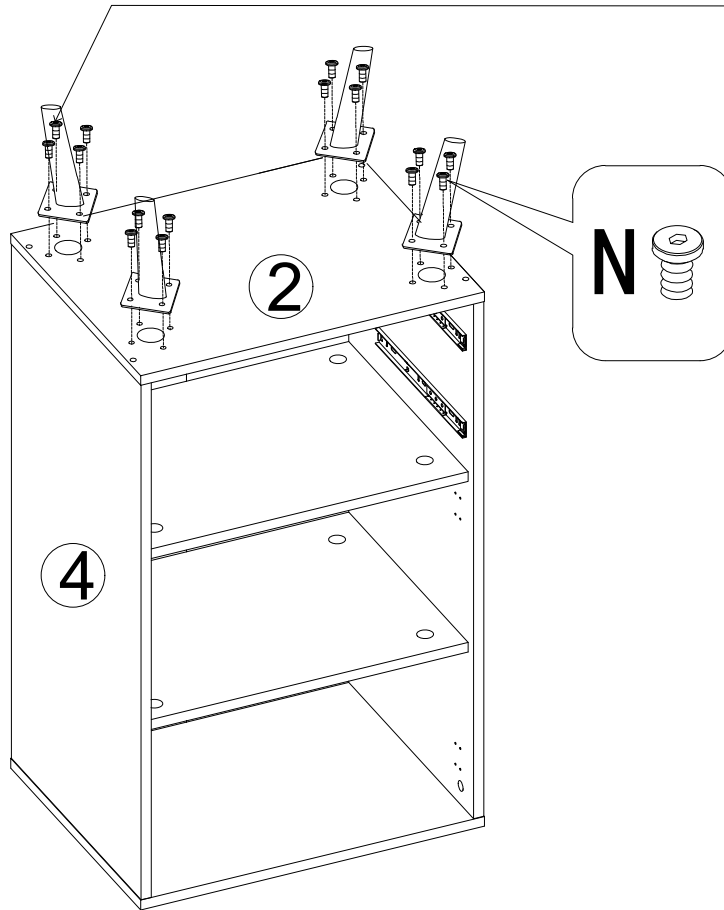
x1



M	x16
M4x30mm	

x4

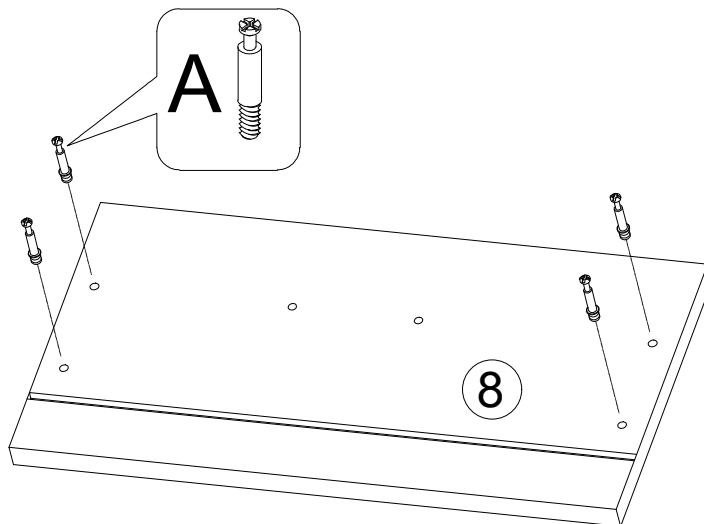
11

The wooden feet are inclined outwards.

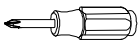
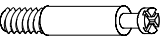


K	x1
	
M4	
N	x16
	
M6x12mm	

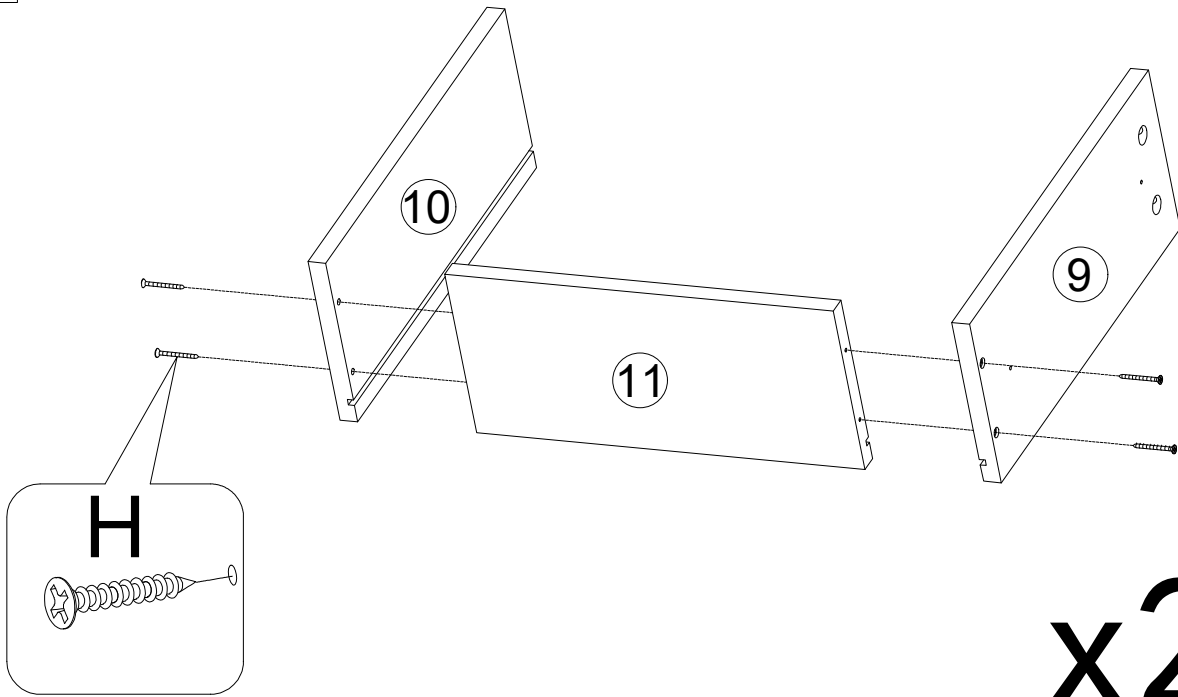
12


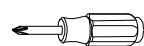


x2

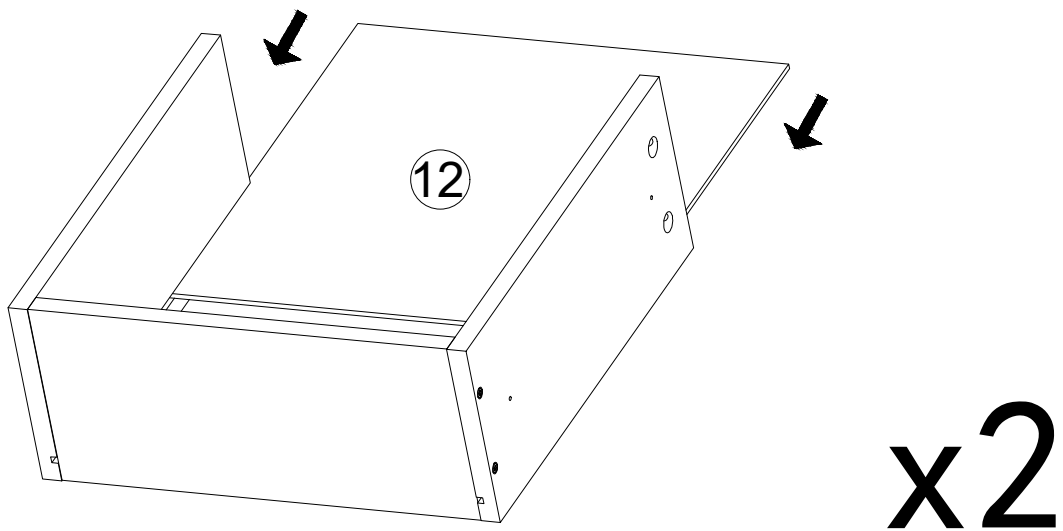
x1	
	
A	x8
	
ø6 x 35mm	

13

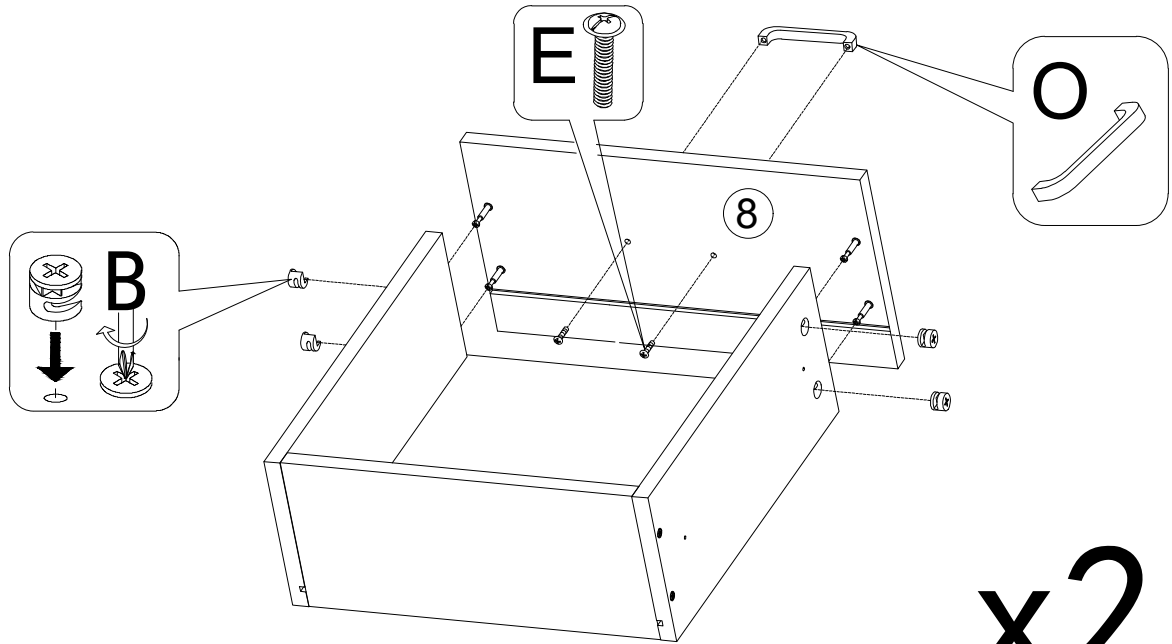


H	x8	x1
		
M4x35mm		




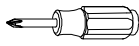
14



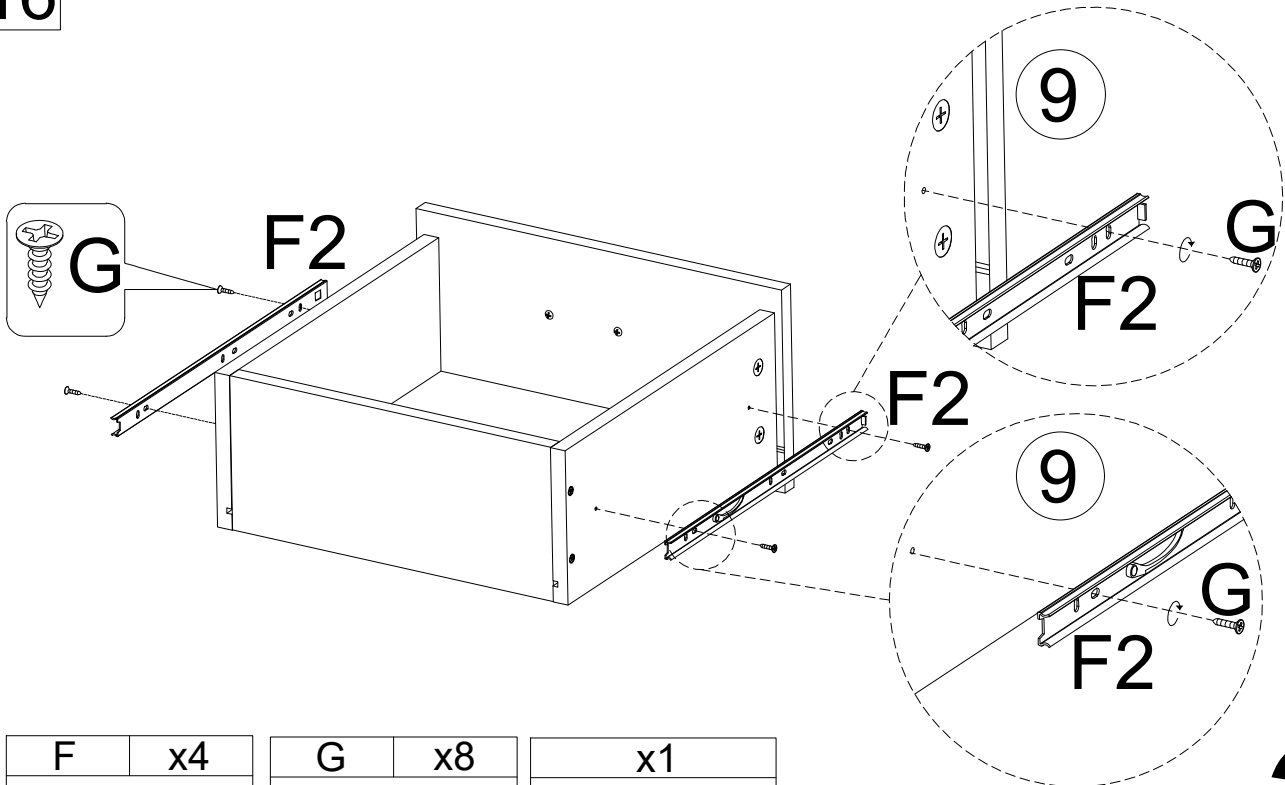
15





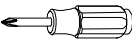
x2

B	x8	E	x4	O	x2	x1
						
ø15x12mm		M4x18mm				

16

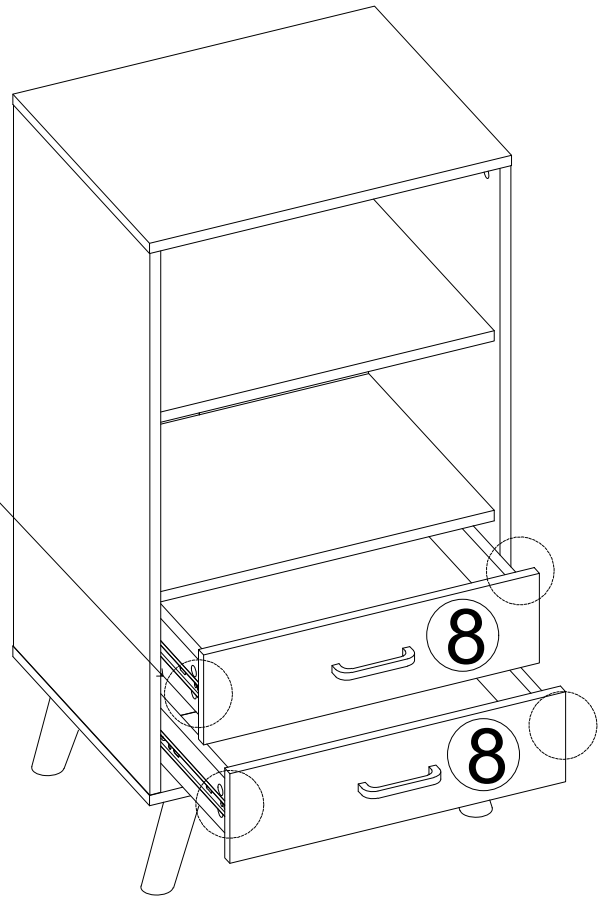
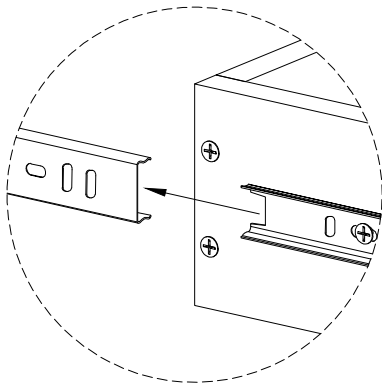


x2

F	x4	G	x8	x1
				
		M3.5x14mm		

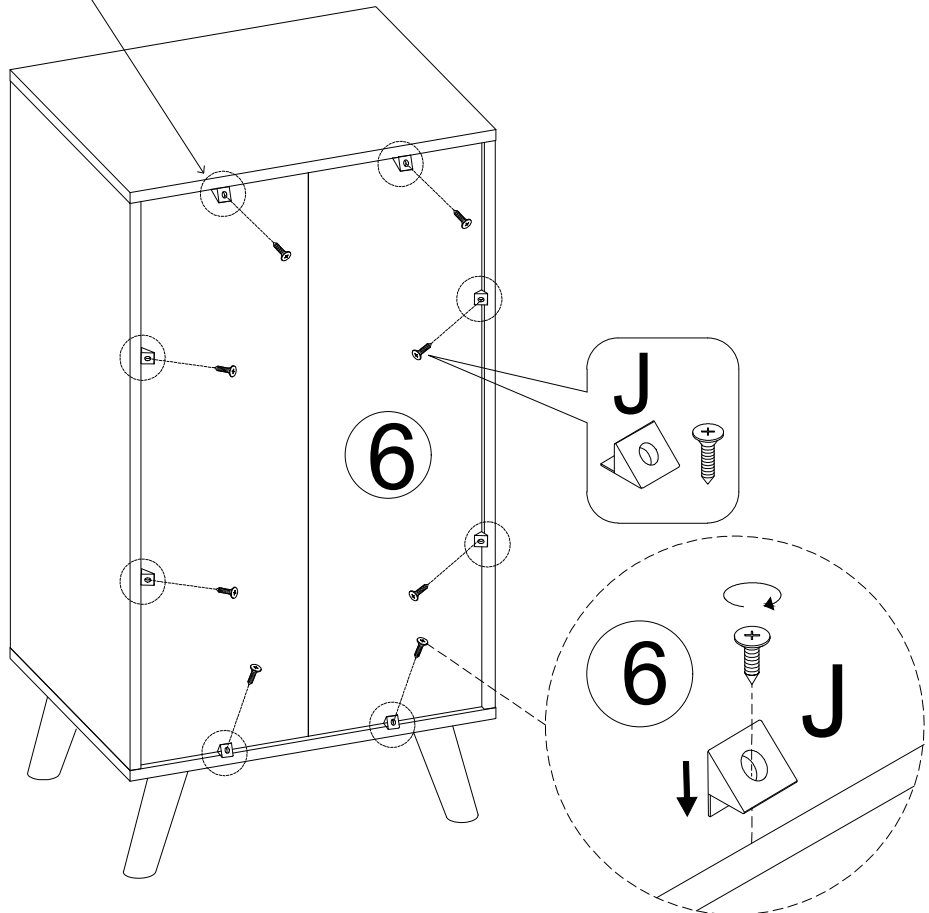
17



Double-sided slide rail flush push-in



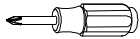

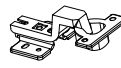

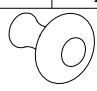
18

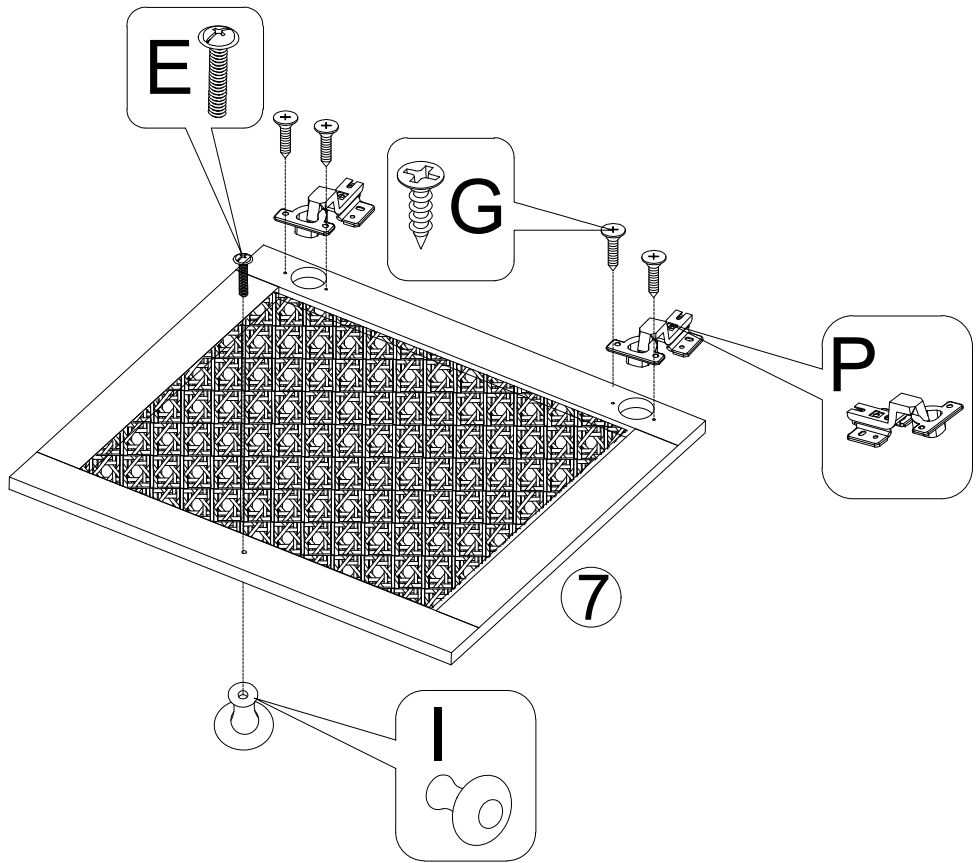
Insert the backboard clip first and then lock the screws.



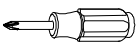

J	x8
	

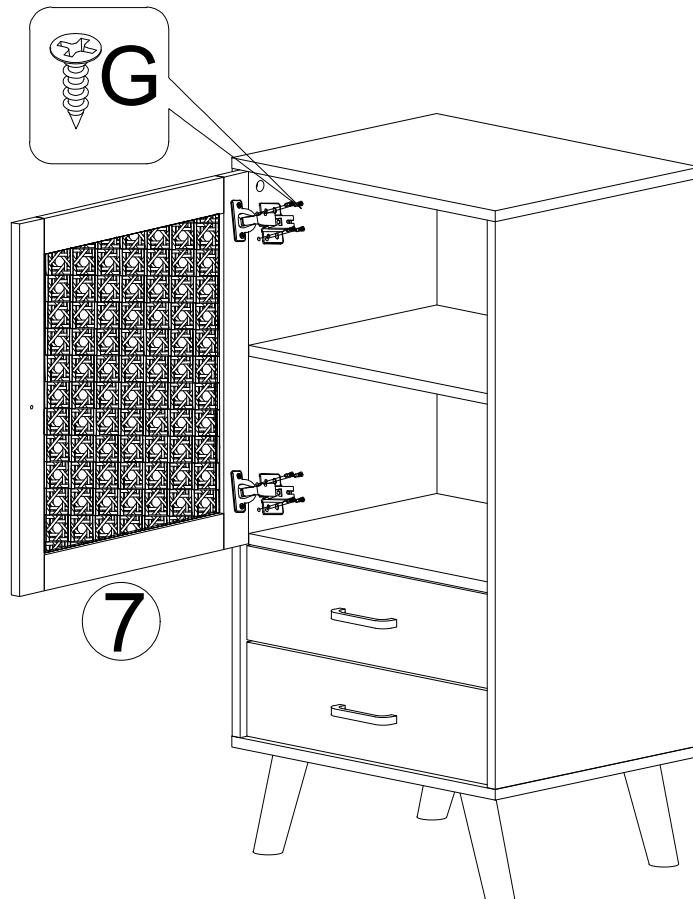
19

x1	
	
E	x1
	
M4x18mm	
P	x2
	
G	x4
	
M3.5x14mm	
I	x1
	

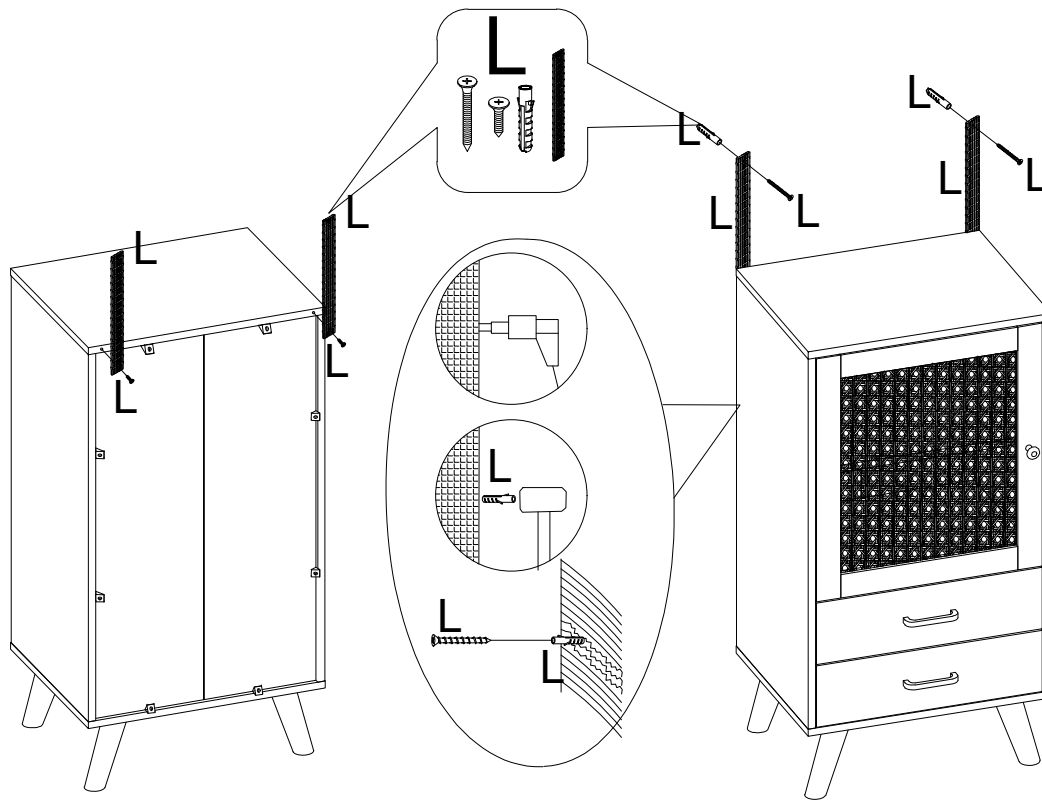






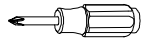
20

x1	
	
G	x8
	
M3.5x14mm	



21



L	x2	x1
 M4 x 35	 M3.5 x 14	
		

22

