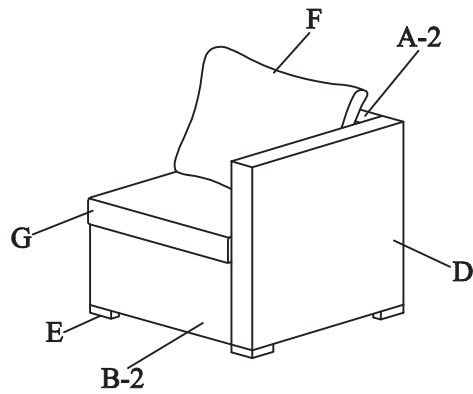
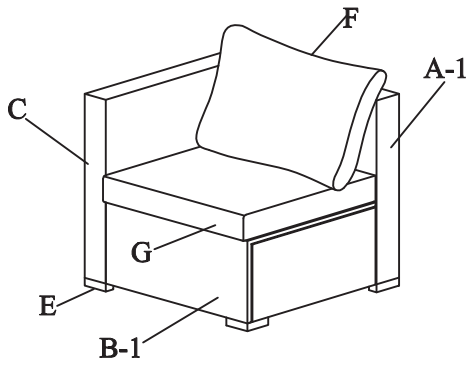


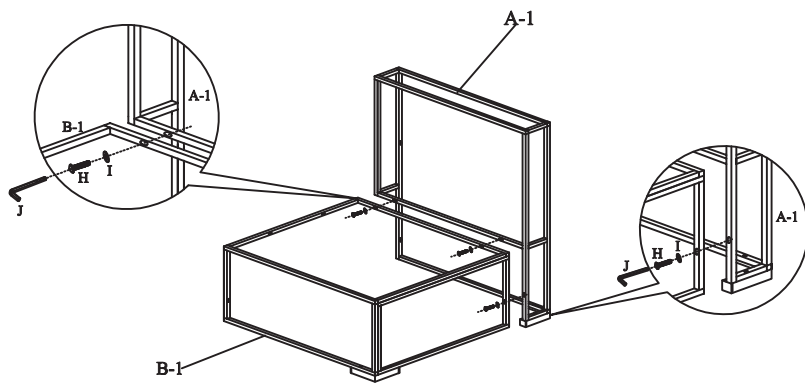
# ASSEMBLY INSTRUCTIONS ARM SOFA

## ASSEMBLY INSTRUCTIONS

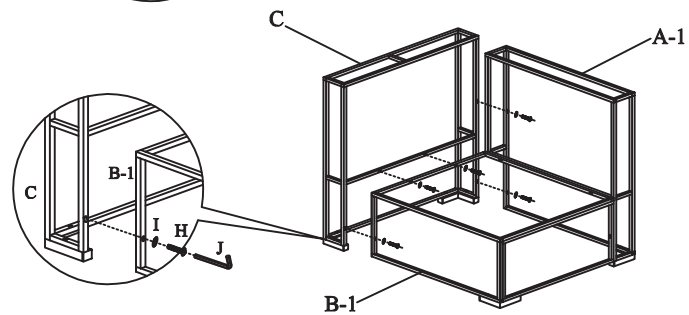


Parts List				Hardware List		
Part	Description	Box	Qty	Part	Description	Qty
A-1	Back Panel	2	1	H	M6*40mm Bolt	16
A-2	Back Panel(Left Arm Sofa)	2	1	I	M14mm Washer	16
B-1	Seat Panel	2	1	J	M4 Allen Key	1
B-2	Seat Panel(Left Arm Sofa)	2	1			
C	Right Side Panel	2	1			
D	Left Side Panel(Left Arm Sofa)	2	1			
E	L Leg	2	8			
F	Back Cushion	2	2			
G	Seat Cushion	2	2			

STEP 1



STEP 2



STEP 3: repeat step 1 and assemble part D to finish another arm sofa

