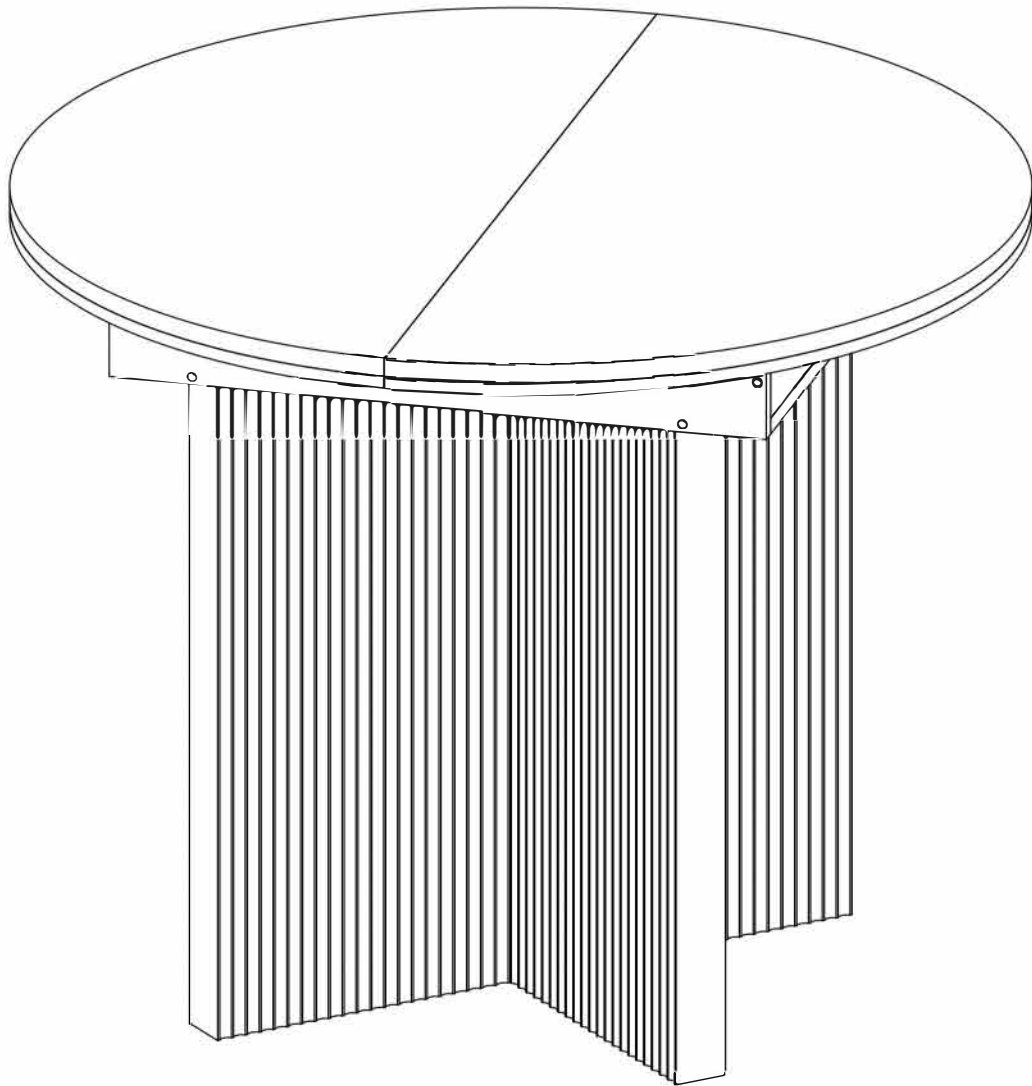


# Installation & Assembly



# SAFETY INSTRUCTIONS



Refer to and follow all instructions in the user manual.



Warning: Keep small parts away from children.



This product is intended for use in a dry environment.



Please note that wood is not scratch-resistant.



Clean water stains and spills promptly to avoid damage.



Do not exceed the maximum load capacity.

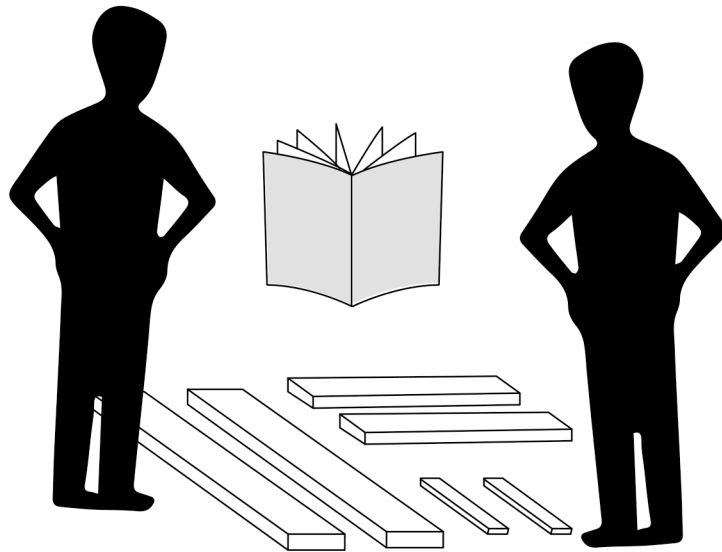


Please handle the wood and other accessories with proper care.

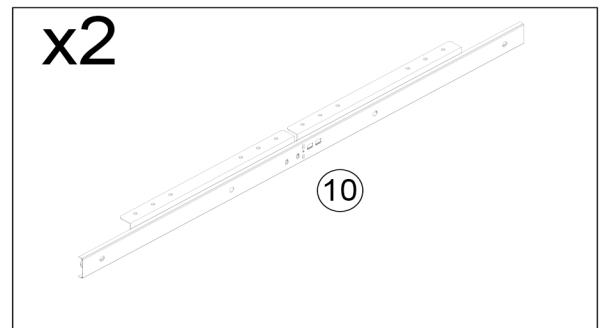
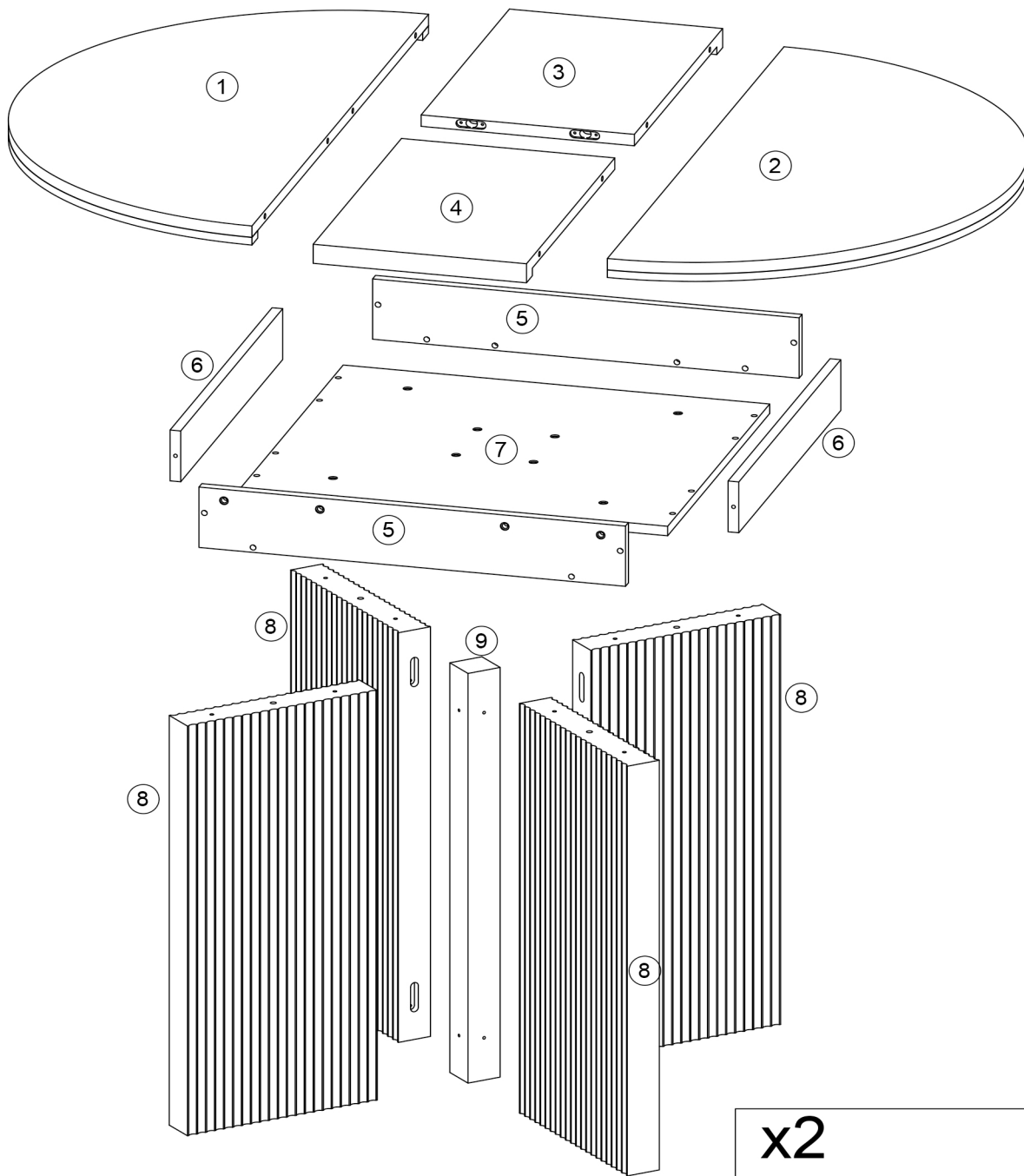
## — SAFETY INSTRUCTIONS —

We request that you read this manual completely before assembling and operating the article. We cannot be held responsible or liable for any damage or injury resulting from improper or unsafe use of the article. We expressly disclaim responsibility for bodily injury or property damage that may occur during any use that does not comply with applicable federal, state, or local laws or regulations. Please keep this manual for future reference.

# INSTALLATION PREPARATION

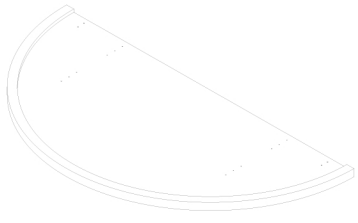


- Please prepare a carpet or mat to protect your floor. You must lay out all accessory parts.
- Please prepare a pair of gloves to avoid scratches from sharp wood sawdust that may occur during installation.
- Please open all boxes to verify that the accessories are complete and in good condition.
- The box contains some small components; please position them properly before installation to keep them away from children and ensure safety.
- If you need to use power tools to install this product, please set the speed to a low setting in advance.
- During installation, please align all holes before tightening any screws.



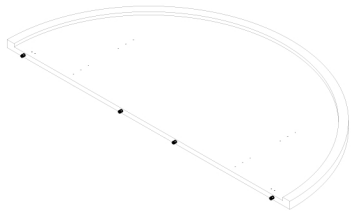
# ACCESSORY PARTS

①



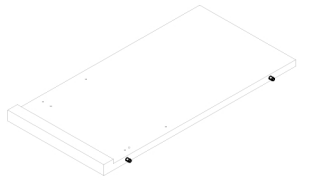
x1

②



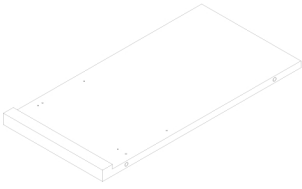
x1

③



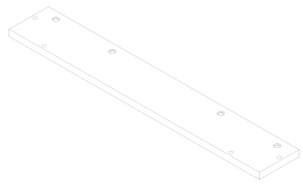
x1

④



x1

⑤



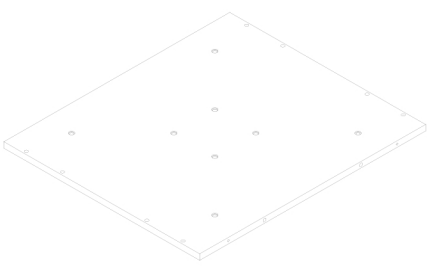
x1

⑥



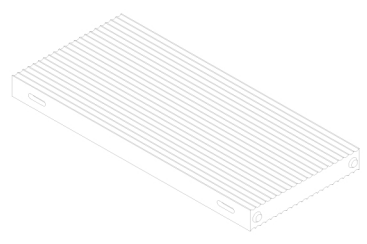
x1

⑦



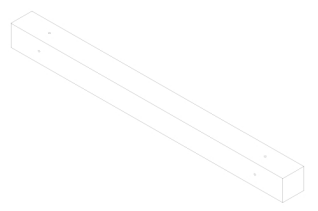
x1

⑧



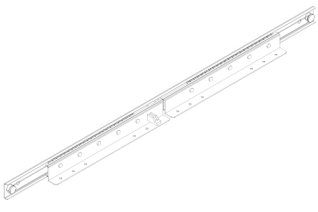
x1

⑨



x1

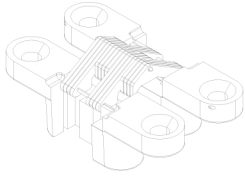
⑩



x2

# SCREW SET

**A**



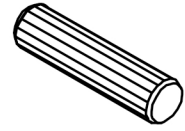
Ø6\*35mm **x34**

**B**



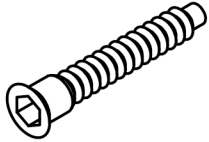
Ø15\*9mm **x34**

**C**



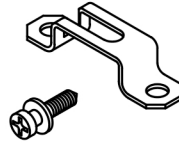
Ø6\*30mm **x28**

**D**



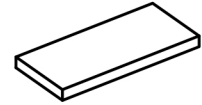
Ø3\*12mm **x16**

**E**



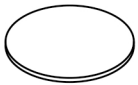
M4\*35mm **x18**

**F**



M3.5\*14mm **x40**

**G**



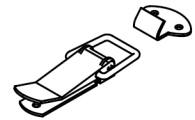
M6\*10mm **x8**

**H**



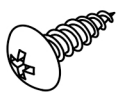
M4\*18mm **x6**

**I**



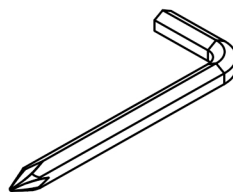
**x30**

**J**



**x2**

**K**



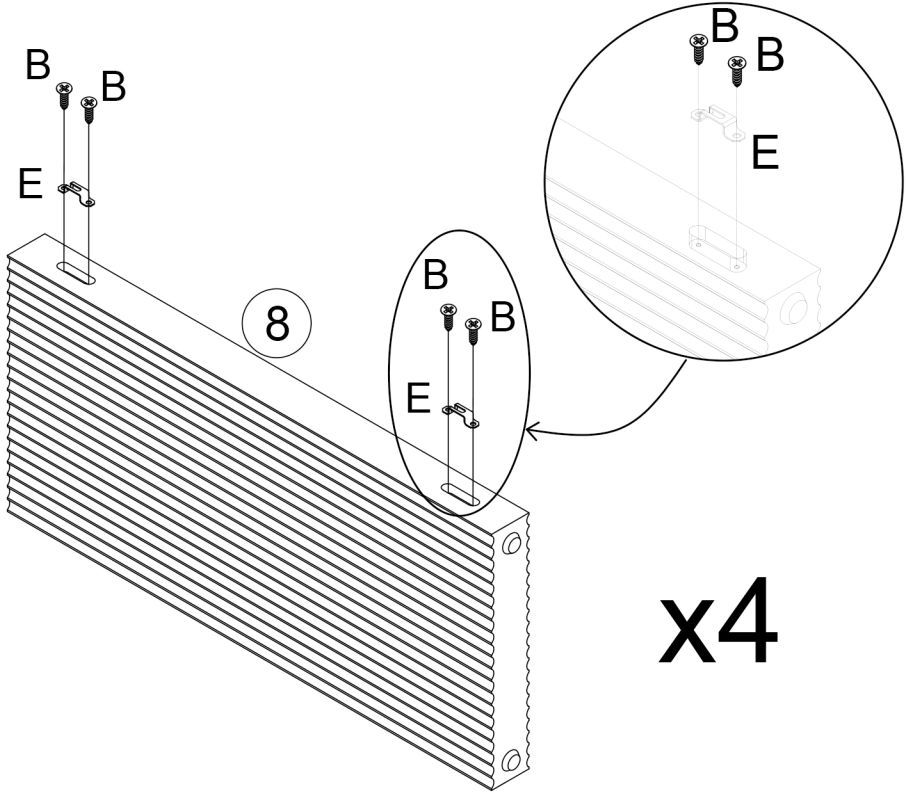
**x2**

# INSTALLATION INSTRUCTIONS

## Step 1

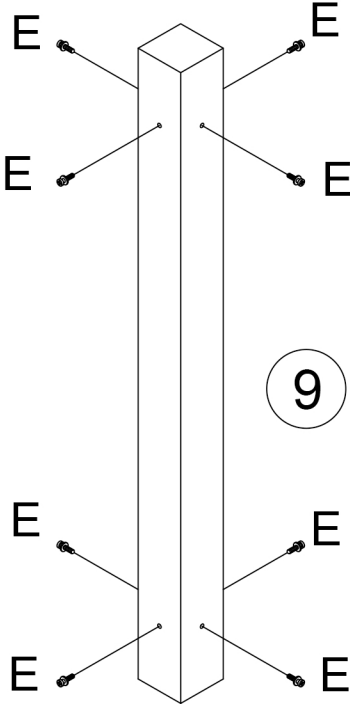
**(B) X 16**

**(E) X 8**



## Step 2

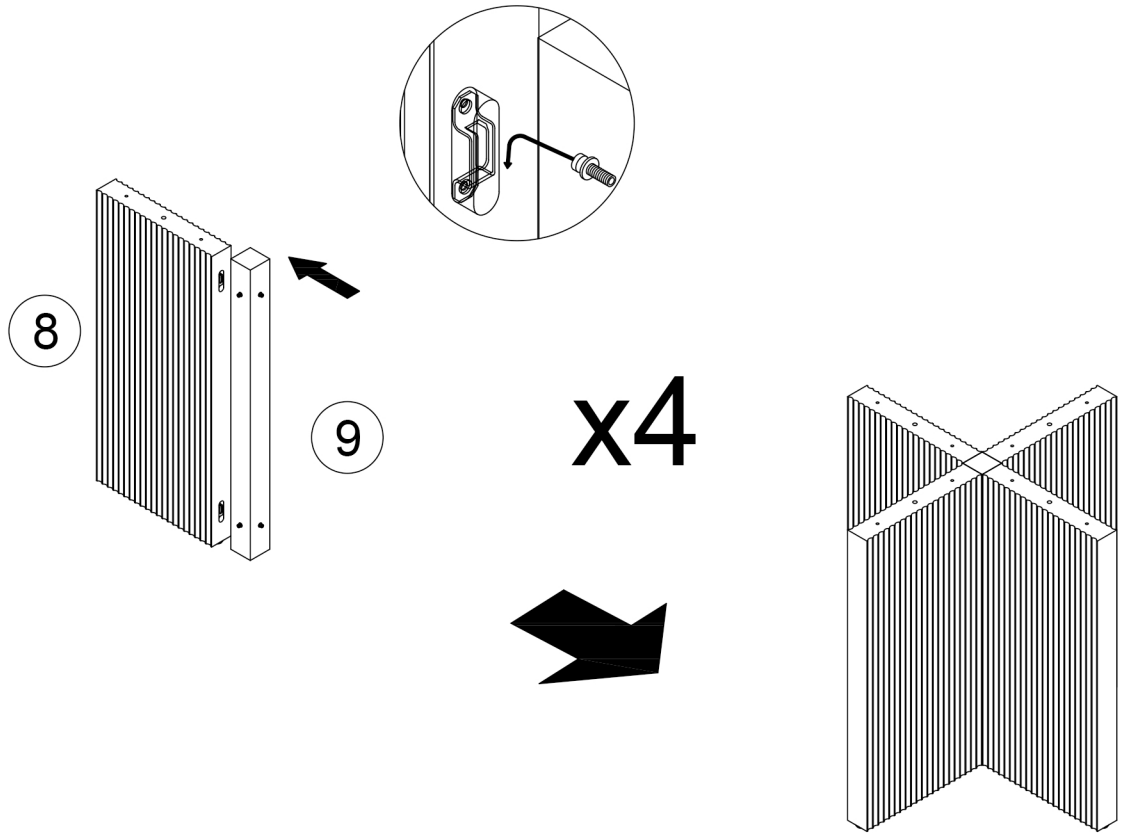
**(E) X 8**



# INSTALLATION INSTRUCTIONS

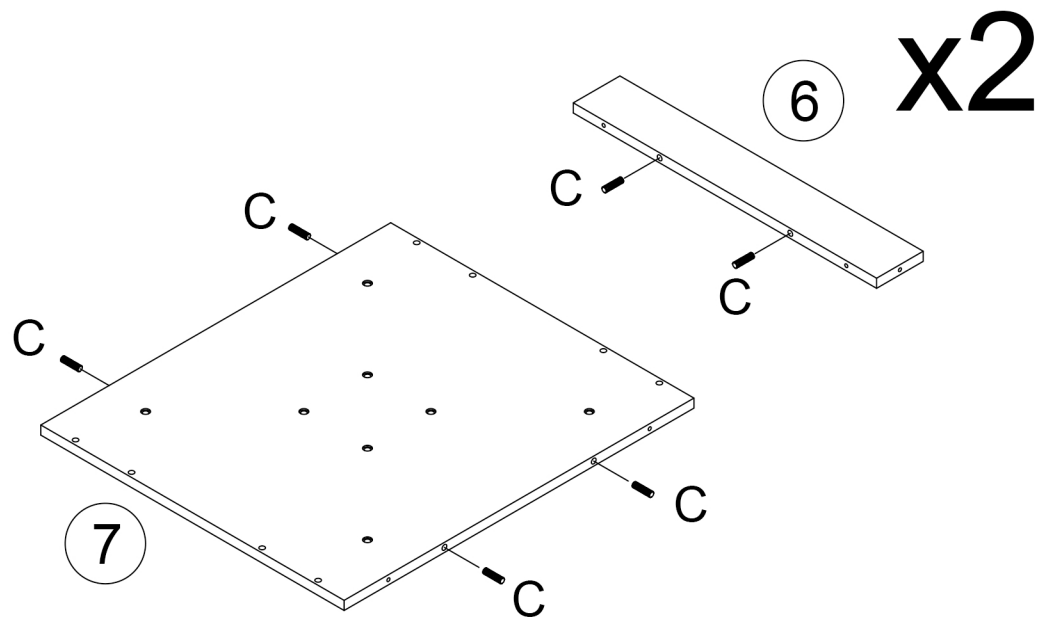
## Step 3

Buckle the No. 9 parts into No. 8 from top to bottom.



## Step 4

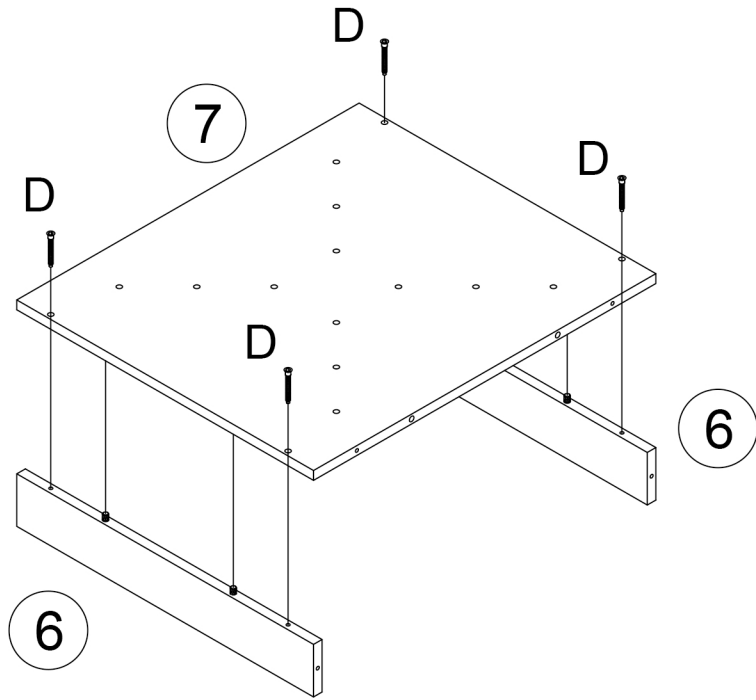
C x 8



# INSTALLATION INSTRUCTIONS

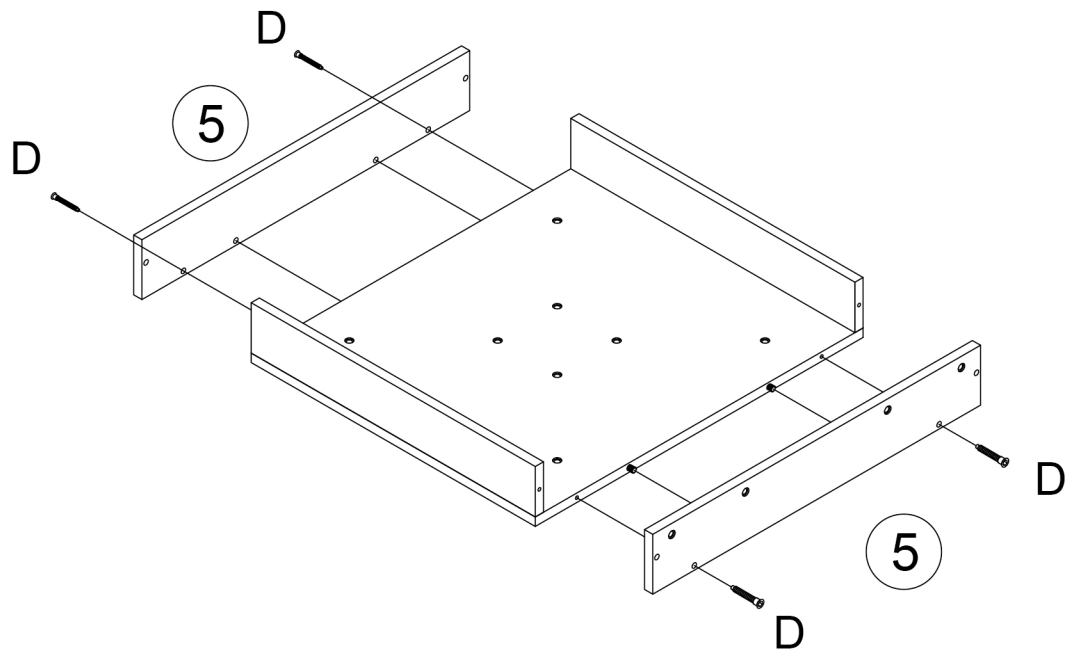
## Step 5

ⓓ X 4



## Step 6

ⓓ X 4

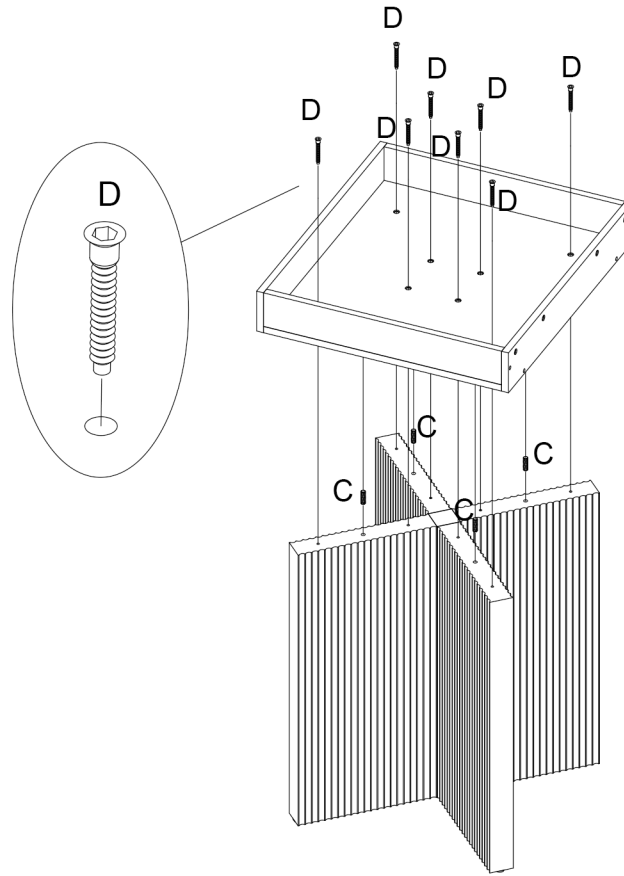


# INSTALLATION INSTRUCTIONS

## Step 7

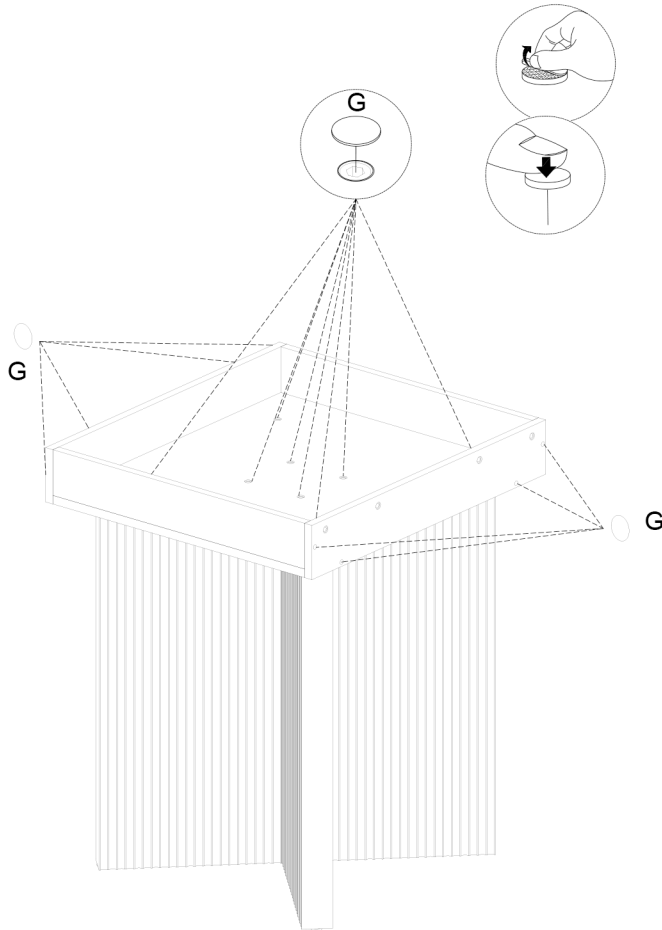
Ⓒ X 4

Ⓓ X 8



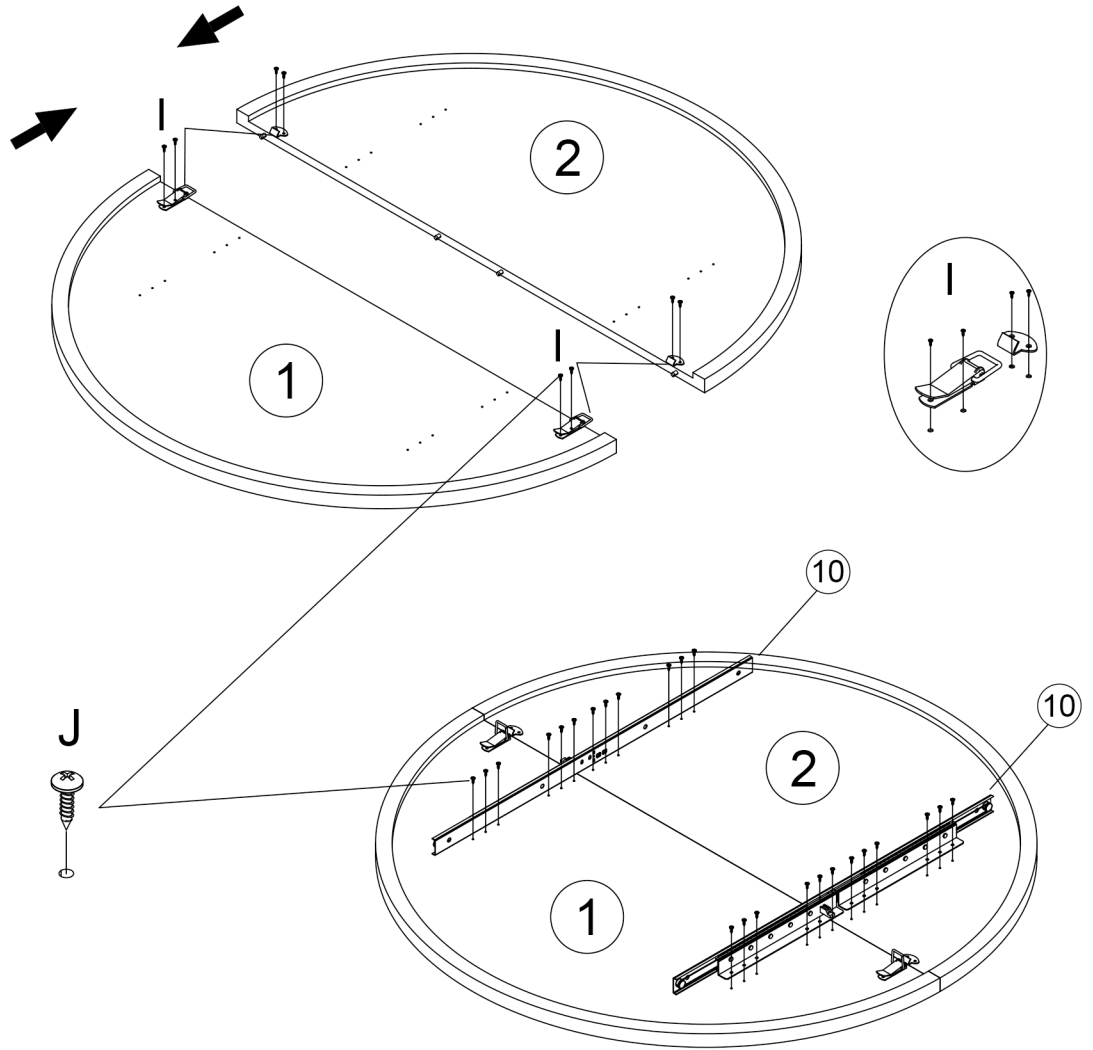
## Step 8

Ⓖ X 16



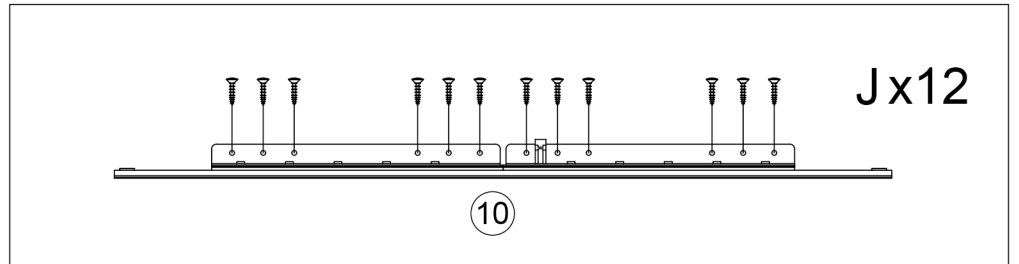
# INSTALLATION INSTRUCTIONS

## Step 11



I X 2

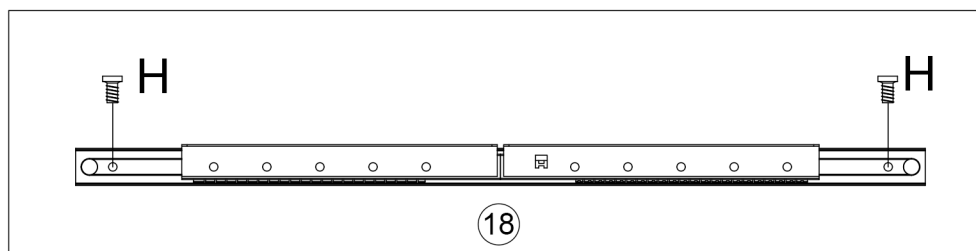
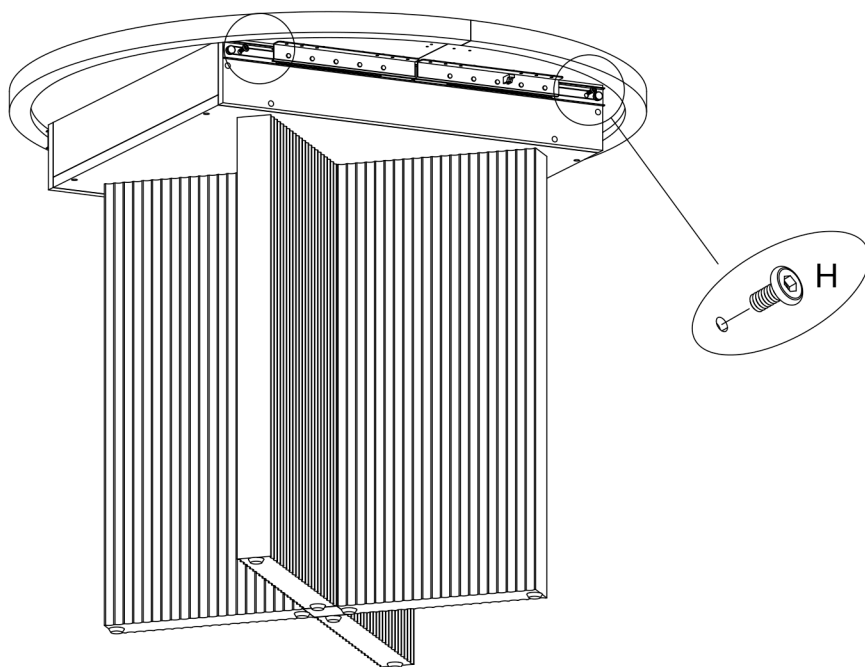
J X 16



# INSTALLATION INSTRUCTIONS

## Step 13

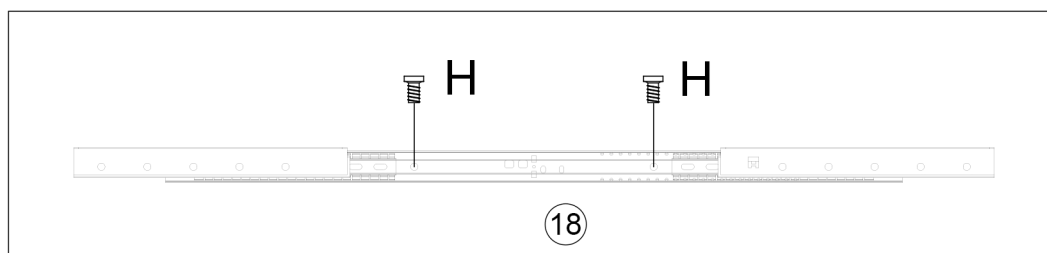
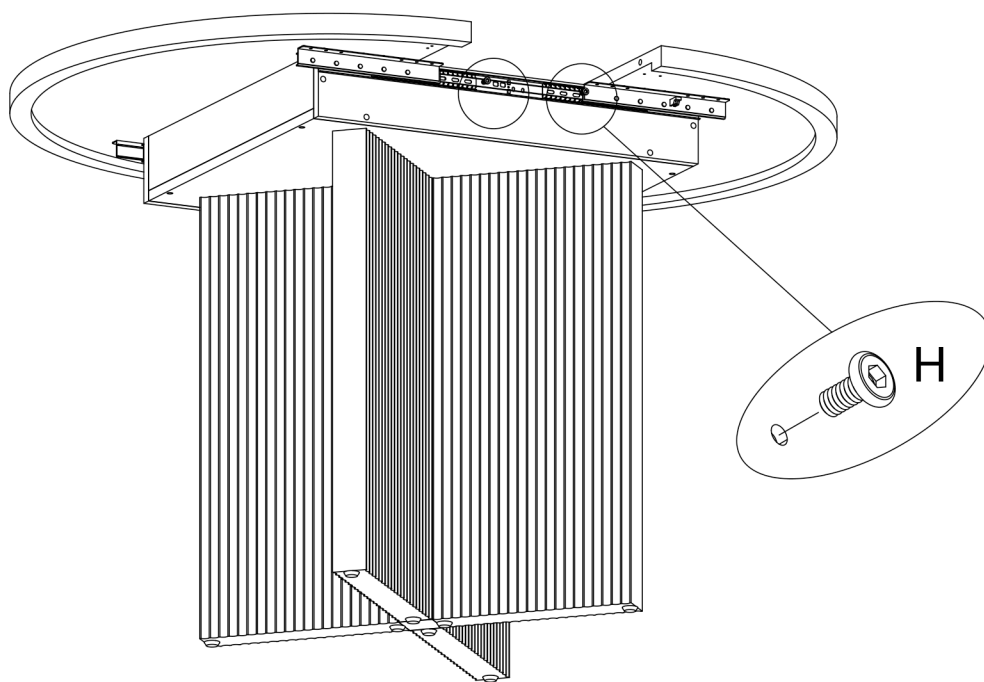
Ⓜ X 4



# INSTALLATION INSTRUCTIONS

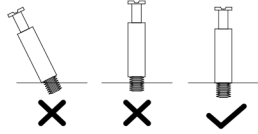
## Step 15

Ⓜ X 4

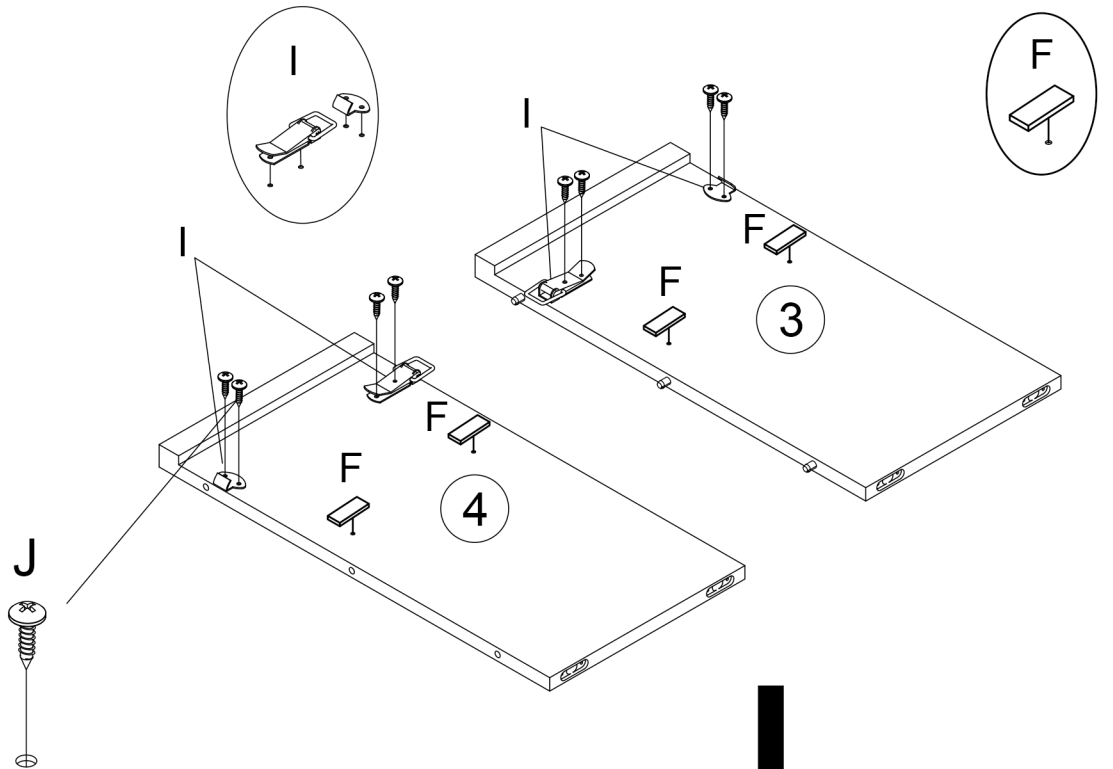


# INSTALLATION INSTRUCTIONS

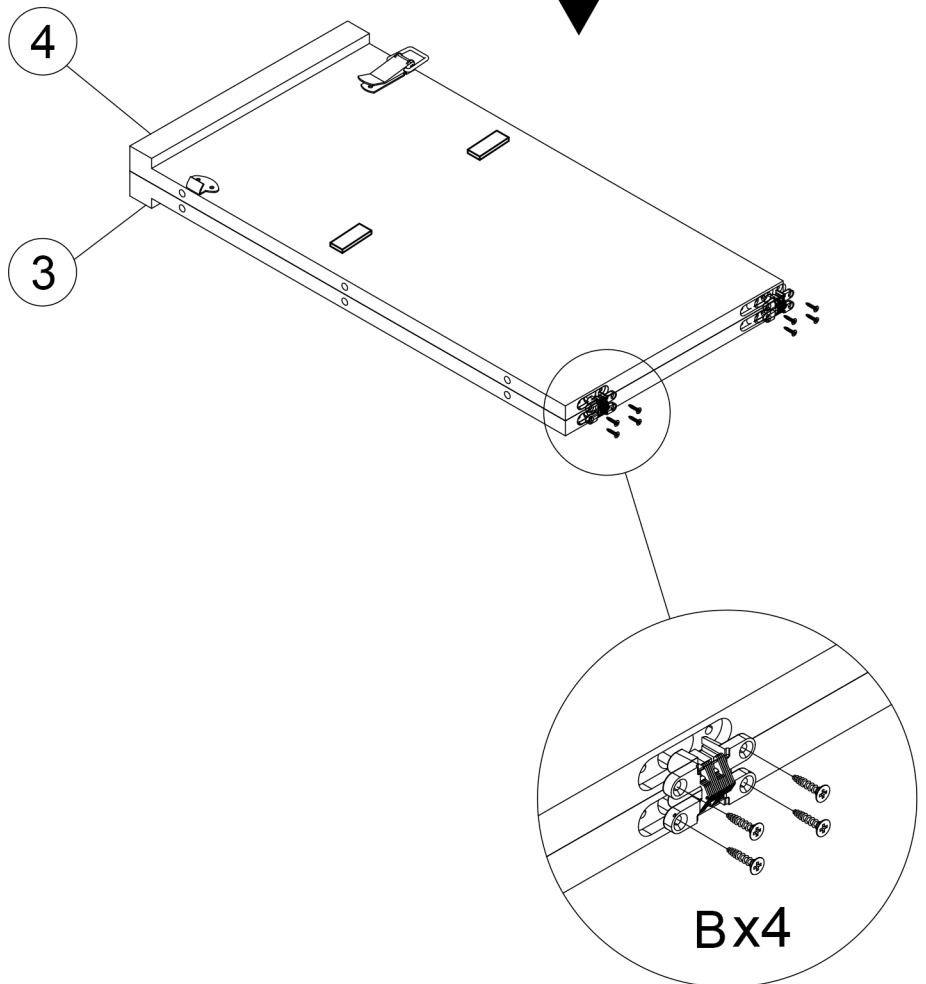
## Step 17



#A must be fully tightened.

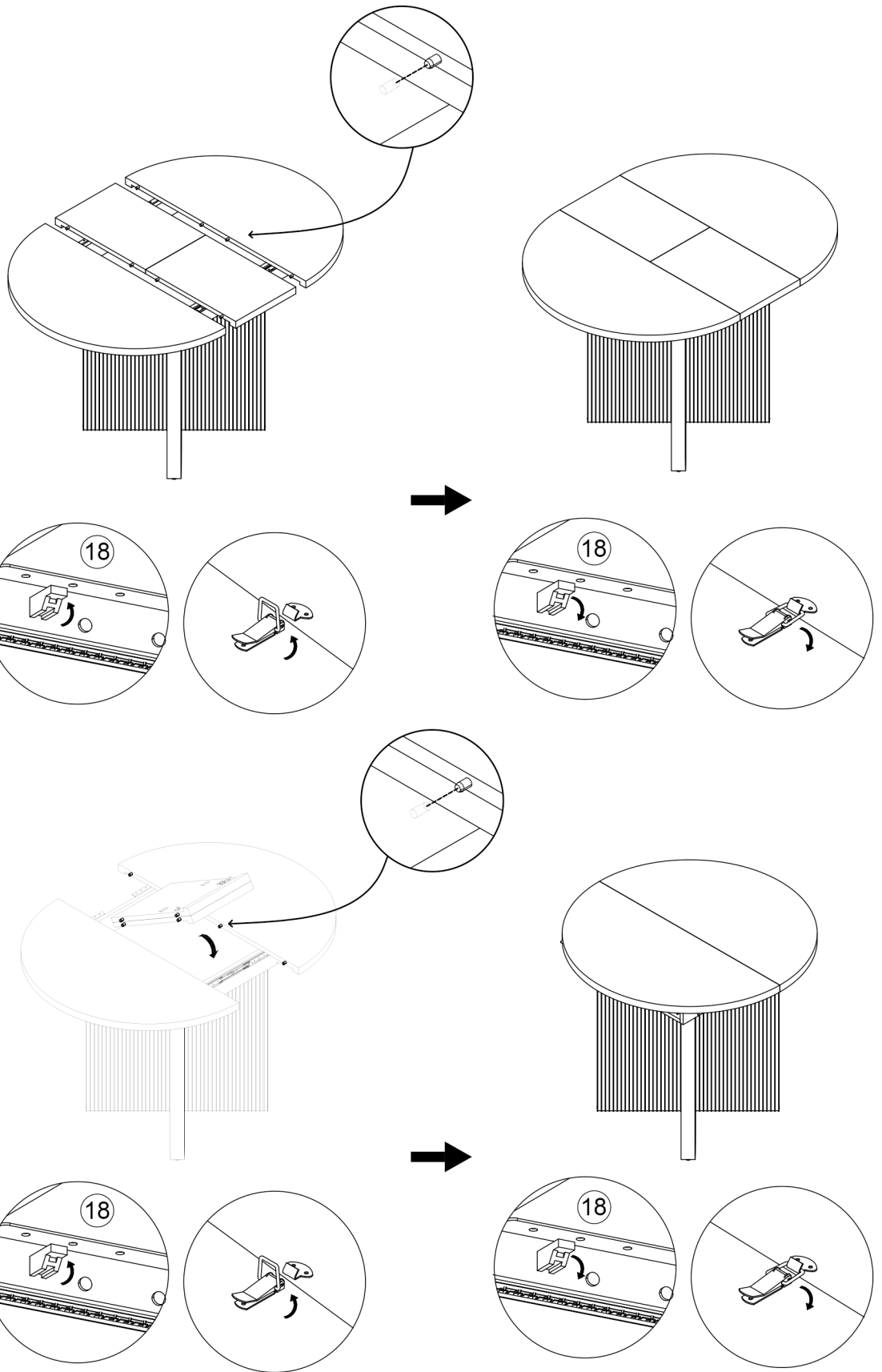


- ⓐ X 2
- ⓑ X 4
- ⓒ X 8
- ⓓ X 2
- ⓔ X 8



# INSTALLATION INSTRUCTIONS

## Step 19



# **CUSTOMER SERVICE**

**Is the product complete? Was the installation and use process smooth?**

**If you have any questions or suggestions, please do not hesitate to contact us in a timely manner. We will do our best to resolve the issue.**

**Do you have any special requirements regarding the size, color, style, material, or other aspects of your product?**

**Please feel free to contact us. We are happy to understand your needs and provide you with better products.**