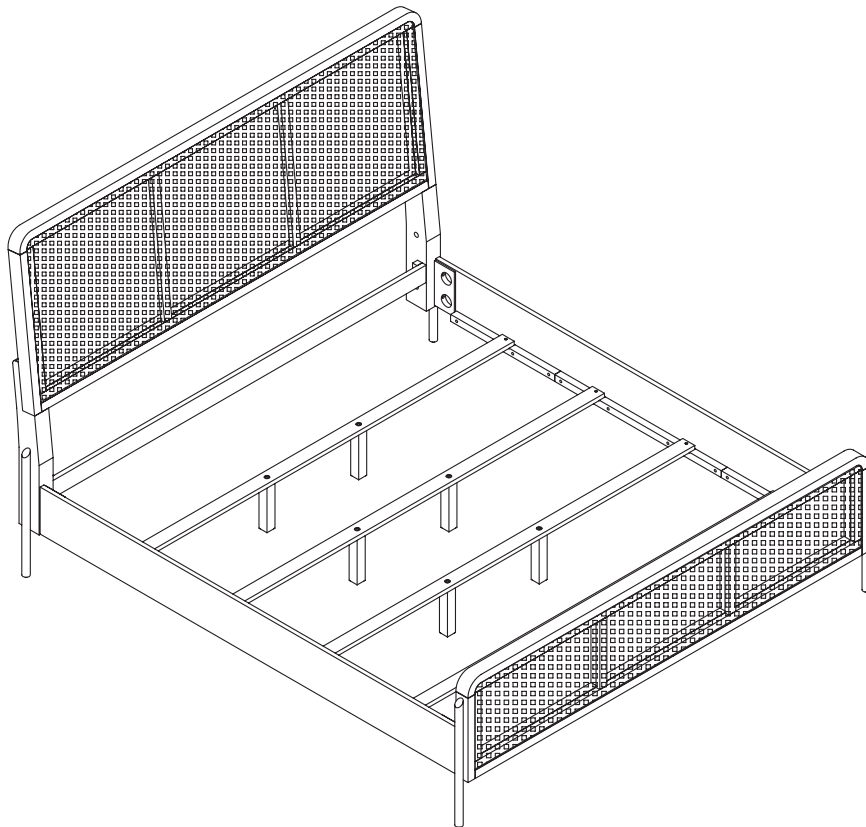


# ASSEMBLY INSTRUCTIONS



## Eastern King Bed

# ASSEMBLY INSTRUCTIONS

## ASSEMBLY TIPS:

1. Remove hardware from box and sort by size.
2. Please check to see that all hardware and parts are present prior to start of assembly.
3. Please follow attached instructions in the same sequence as numbered to assure fast & easy assembly.



### WARNING!

1. Don't attempt to repair or modify parts that are broken or defective. Please contact the store immediately.
2. This product is for home use only and not intended for commercial establishments.



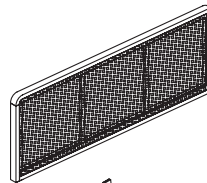
ASSEMBLY TIME

25 MINUTES

## PART IDENTIFICATION

### B1 ( BOX 1 )

A HEADBOARD PANEL



1PC

B LEFT HEADBOARD LEG



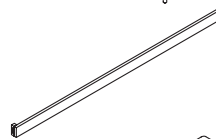
1PC

C RIGHT HEADBOARD LEG



1PC

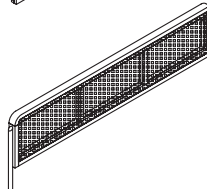
D HEADBOARD BOTTOM RAIL



1PC

### B2 ( BOX 2 )

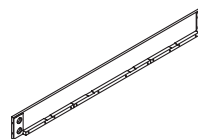
E FOOTBOARD



1PC

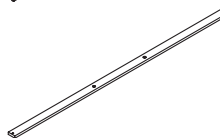
### B3 ( BOX 3 )

F BED RAIL



2PCS

G BED SLAT



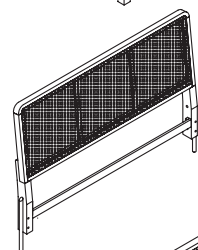
4PCS

H BED SLAT SUPPORT WITH LEVELER



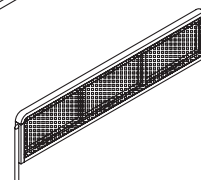
8PCS

HB \*FROM BOX 1  
HEADBOARD COMPLETE



1PC

E \*FROM BOX 2  
FOOTBOARD\*



1PC

# ASSEMBLY INSTRUCTIONS

## ASSEMBLY TIPS:

1. Remove hardware from box and sort by size.
2. Please check to see that all hardware and parts are present prior to start of assembly.
3. Please follow attached instructions in the same sequence as numbered to assure fast & easy assembly.

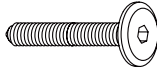
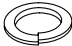





### WARNING!






1. Don't attempt to repair or modify parts that are broken or defective. Please contact the store immediately.
2. This product is for home use only and not intended for commercial establishments.

## HARDWARE IDENTIFICATION

### Z-B1 (BOX 1) - HARDWARE PACK IS LOCATED IN (B1)

1	<b>BOLT</b> (5/16" x 45mm - BLK)		8PCS
2	<b>LOCK WASHER</b> (1.6 x 14mm - BLK)		8PCS
3	<b>FLAT WASHER</b> (1 x 18mm - BLK)		8PCS
4	<b>ALLEN WRENCH</b> (M5 x 65mm - BLK)		1PC
5	<b>WOOD DOWEL</b> (10 x 30mm - BRW)		4PCS

### Z-B3 (BOX 3) - HARDWARE PACK IS LOCATED IN (B3)

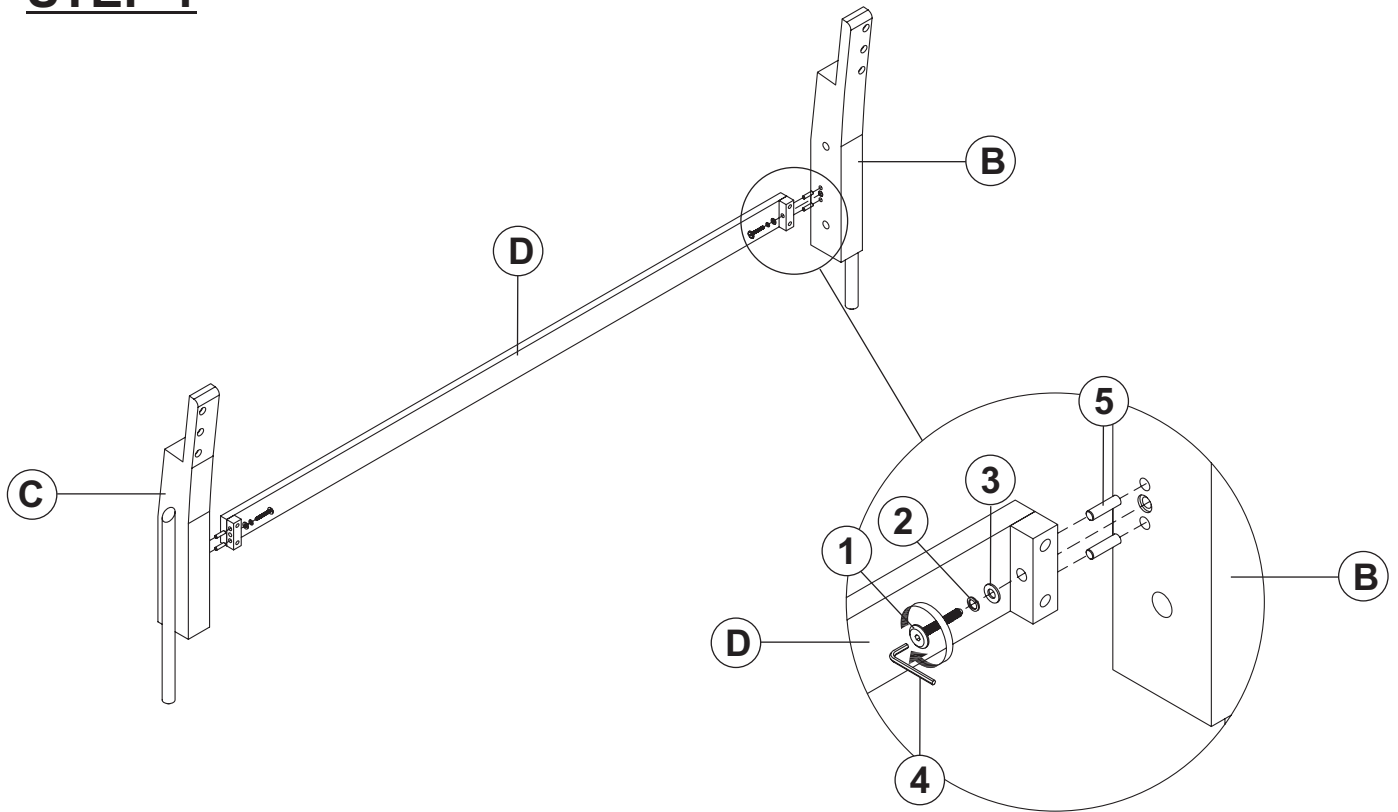
6	<b>FLAT HEAD SCREW</b> (8 x 38mm - BLK)		8PCS
7	<b>THREADED BOLT</b> (5/16" x 80mm - WHT)		8PCS
8	<b>HEX NUT</b> (5/16" x 100mm - WHT)		8PCS
9	<b>HALF ROUND NUT</b> (22 x 17 x 10mm - WHT)		8PCS
10	<b>WRENCH</b> (13mm - WHT)		1PC

### NOTE :

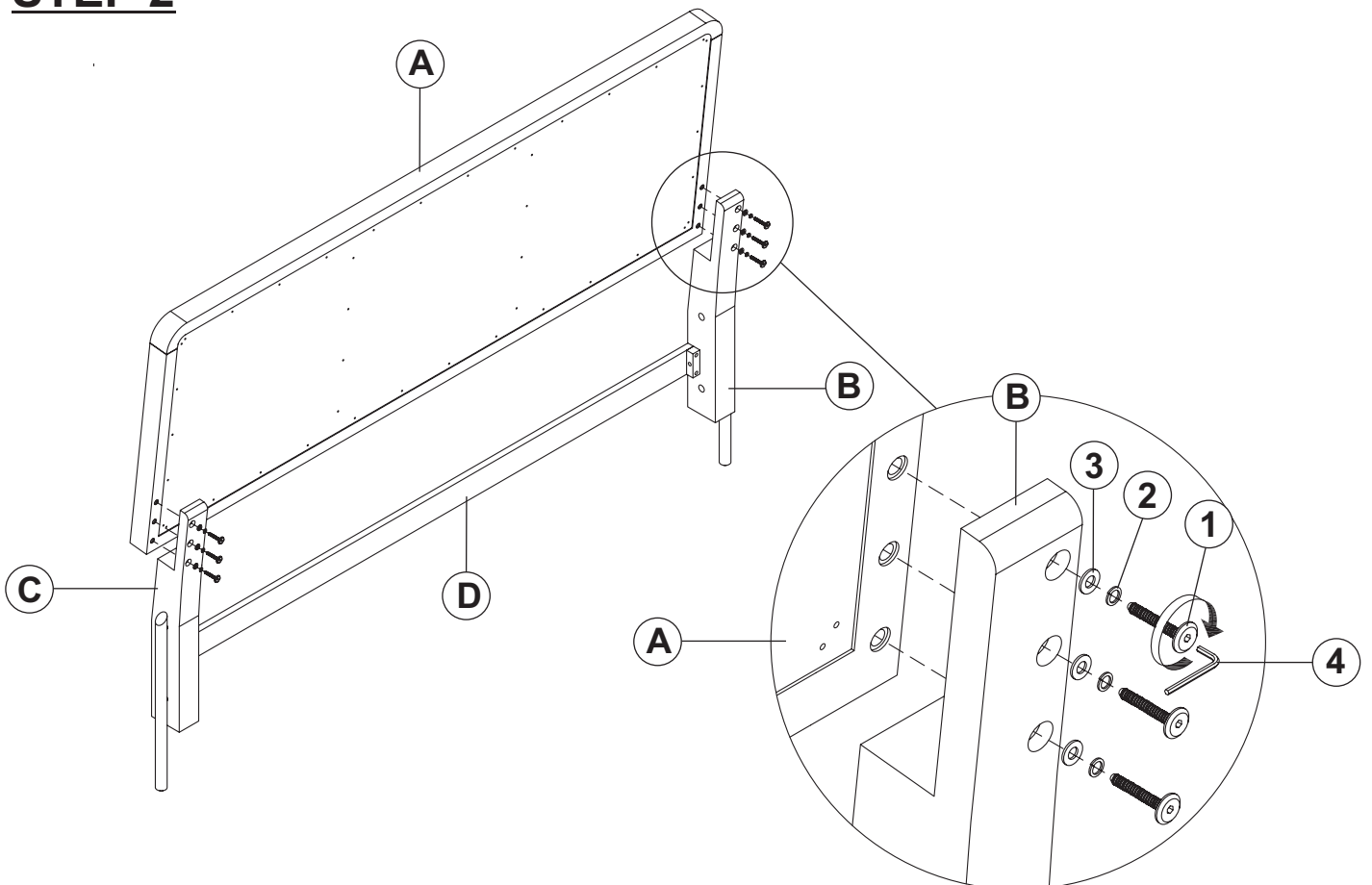
Phillips head screw driver is required in the assembly process; however, manufacturer does not provide this item.

# ASSEMBLY INSTRUCTIONS

## STEP 1

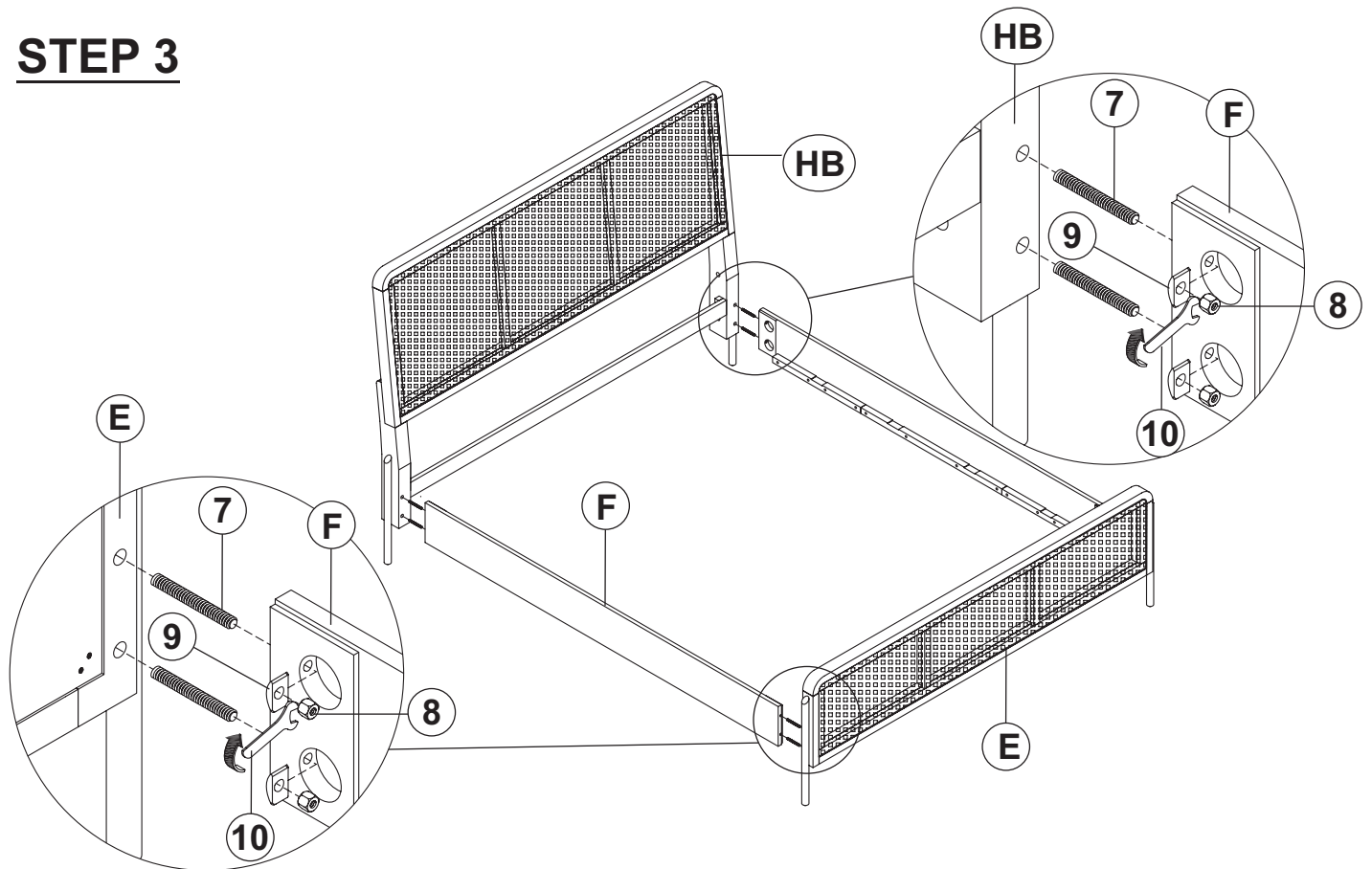


## STEP 2

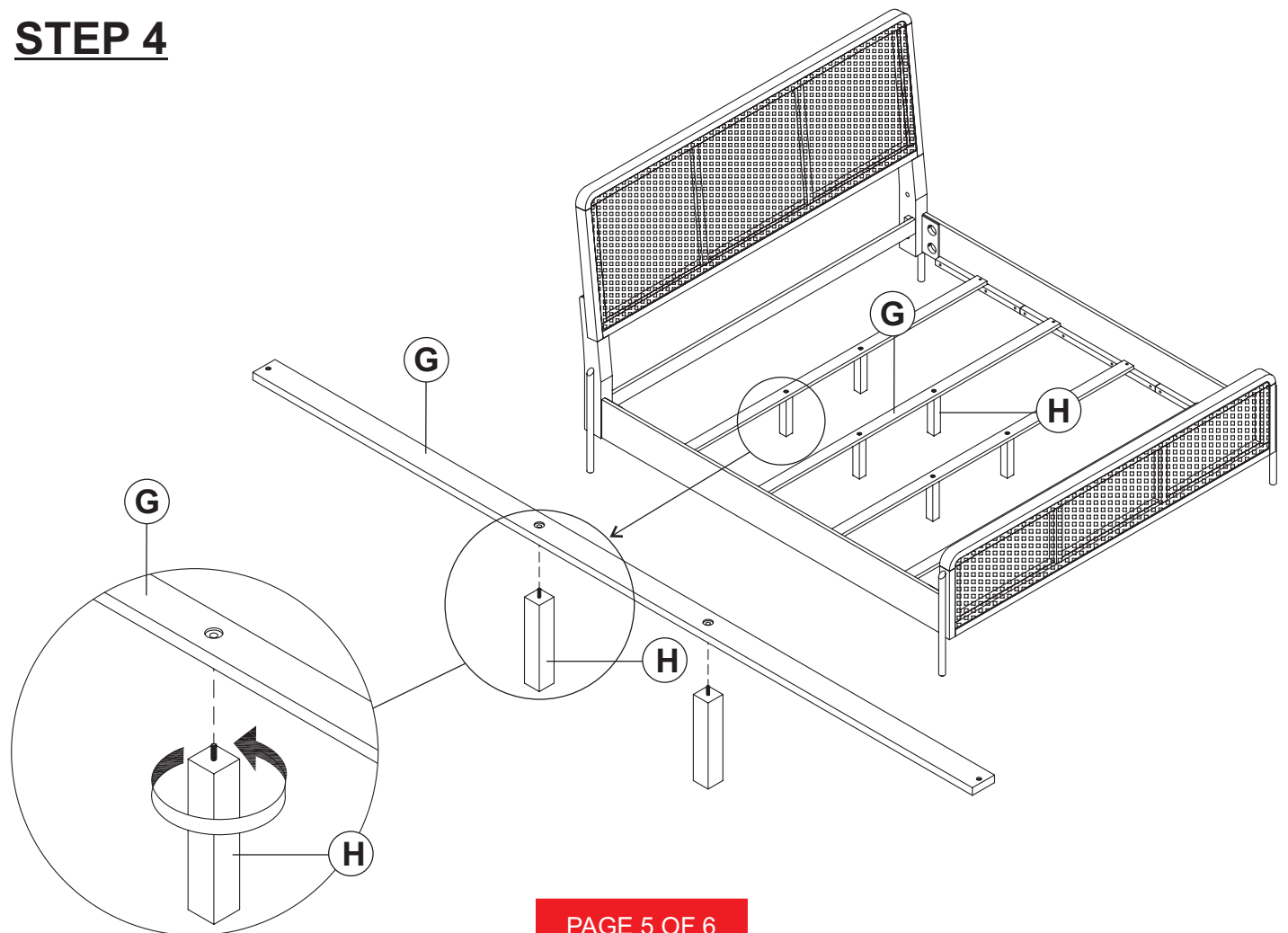


# ASSEMBLY INSTRUCTIONS

## STEP 3

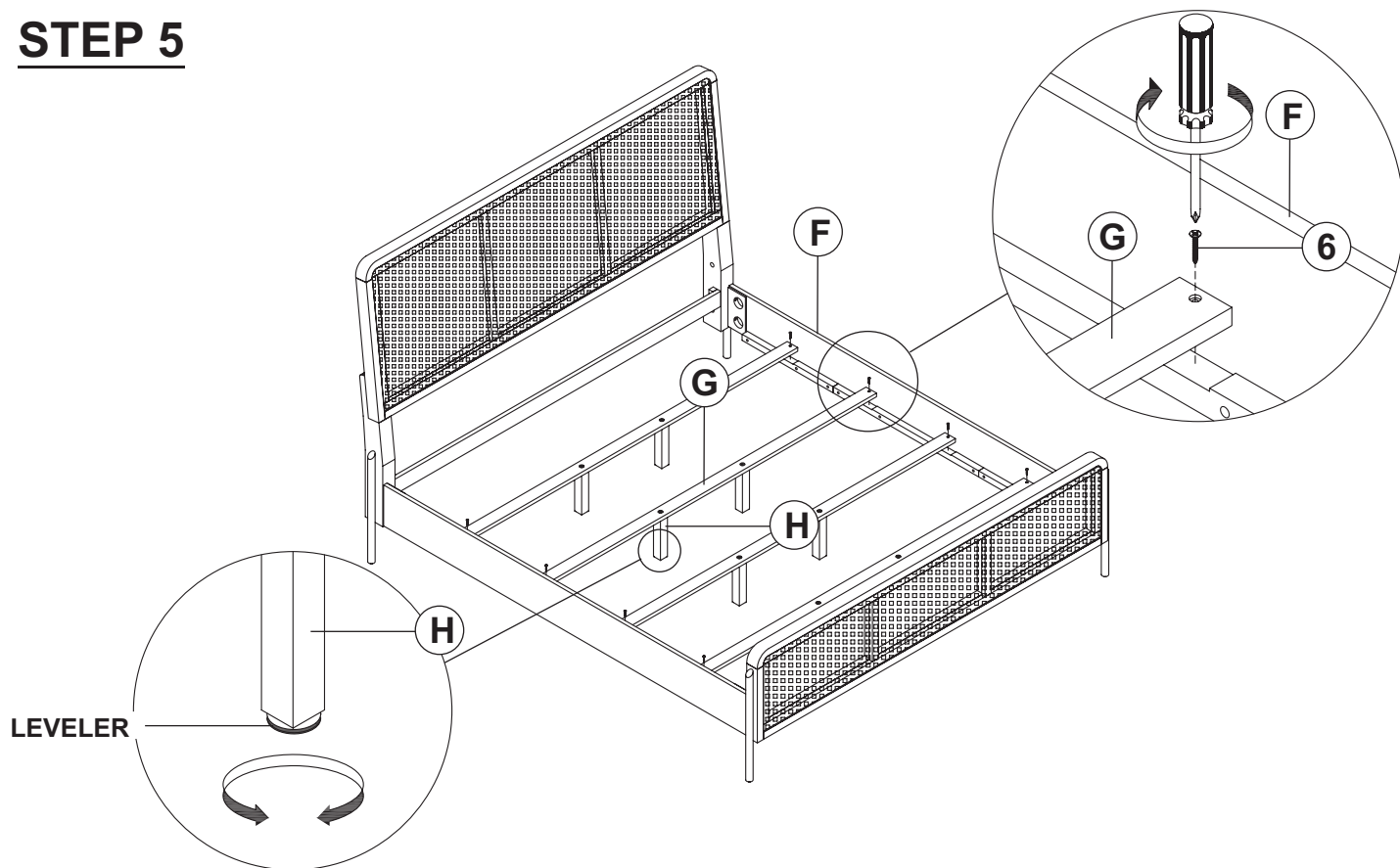


## STEP 4

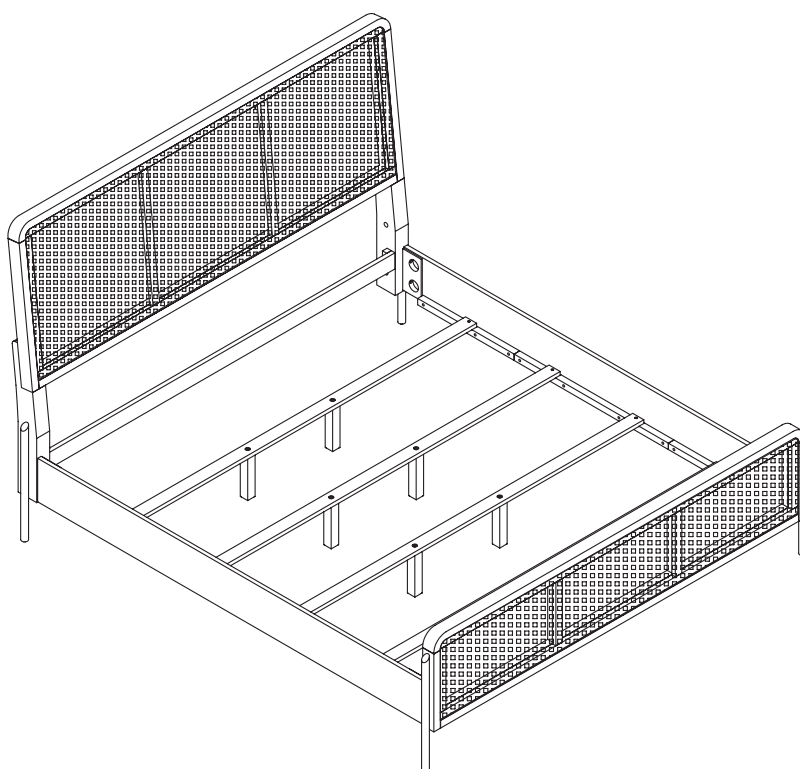


# ASSEMBLY INSTRUCTIONS

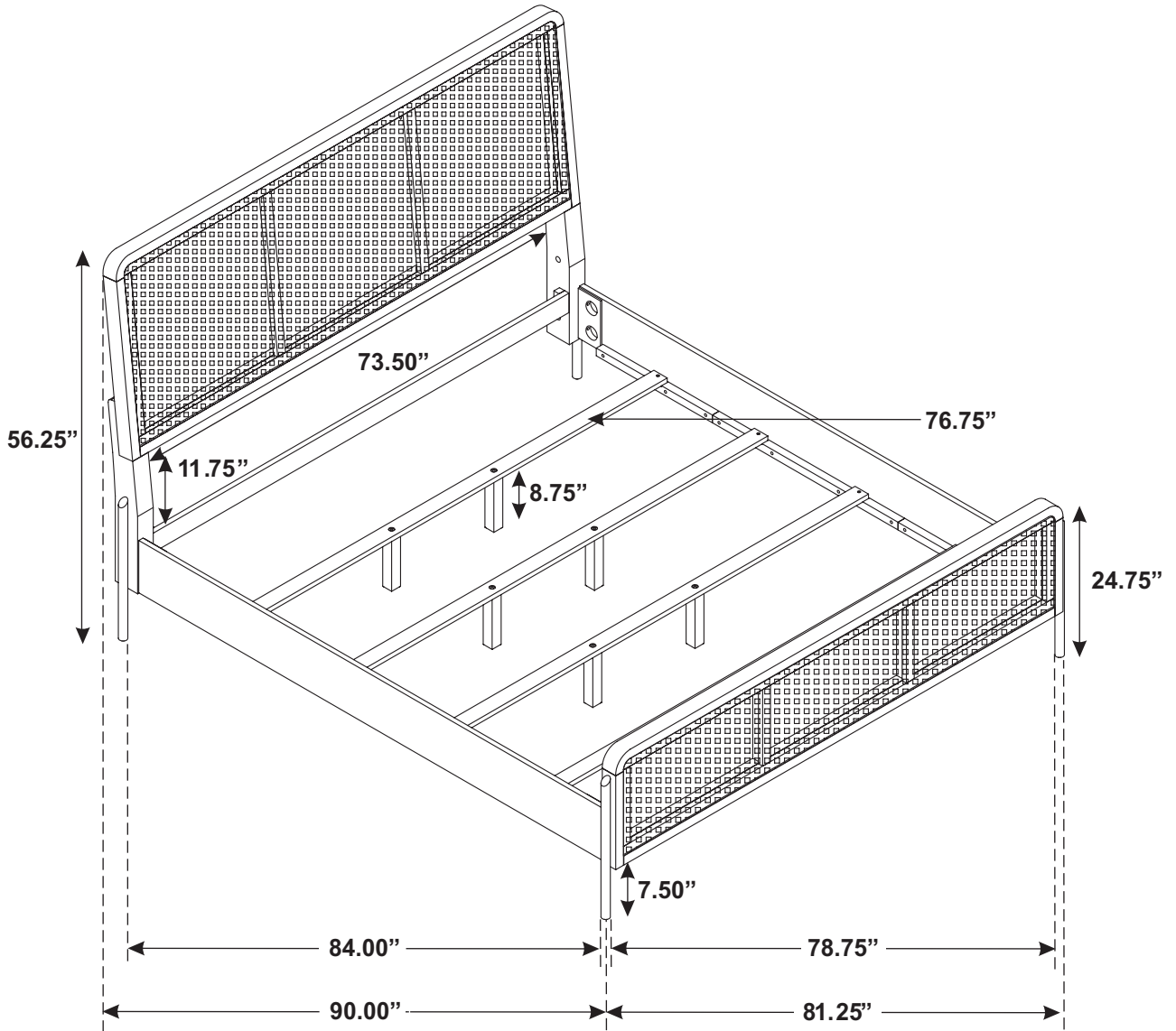
## STEP 5



## STEP 6 COMPLETE



Inner Size : 77.00"W x 82.00"D



Note: Dimension tolerance  $\pm 5\%$

# *ASSEMBLY INSTRUCTIONS*



**Nightstand**

# ASSEMBLY INSTRUCTIONS

## ASSEMBLY TIPS:

1. Remove hardware from box and sort by size.
2. Please check to see that all hardware and parts are present prior to start of assembly.
3. Please follow attached instructions in the same sequence as numbered to assure fast & easy assembly.



### WARNING!

1. Don't attempt to repair or modify parts that are broken or defective. Please contact the store immediately.
2. This product is for home use only and not intended for commercial establishments.

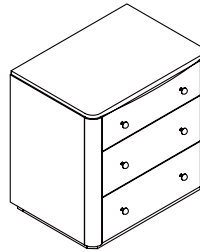


ASSEMBLY TIME

10 MINUTES

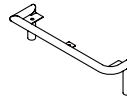
## PART IDENTIFICATION

A NIGHTSTAND



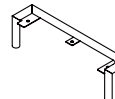
1PC

B LEFT METAL LEG



1PC

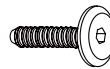
C RIGHT METAL LEG



1PC

## HARDWARE IDENTIFICATION

1 BOLT  
(M6 x 22mm - BLK)



6PCS

2 LOCK WASHER  
(1.6 x 14mm - BLK)



6PCS

3 FLAT WASHER  
(1 x 18mm - BLK)



6PCS

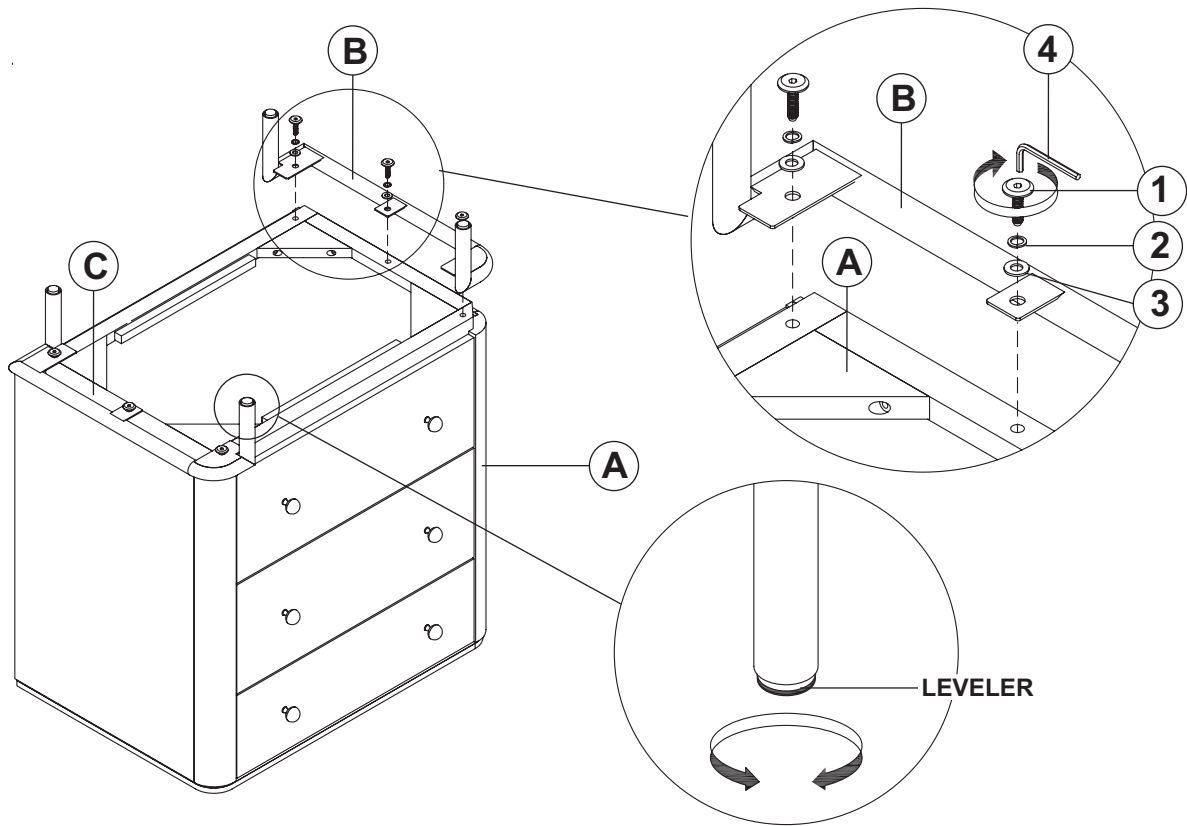
4 ALLEN WRENCH  
(M4 x 65mm - BLK)



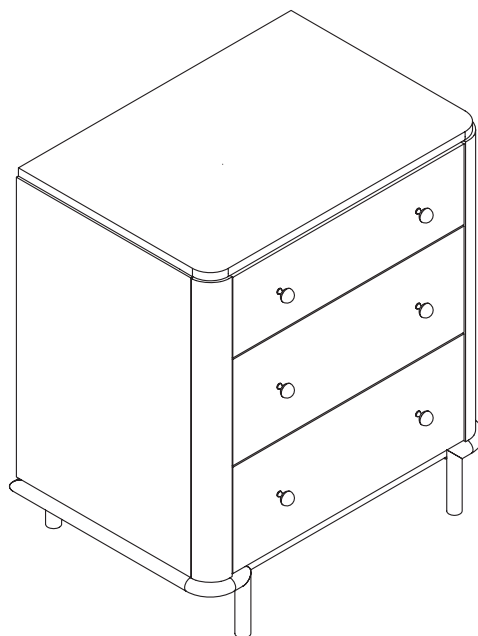
1PC

# ASSEMBLY INSTRUCTIONS

## STEP 1



## STEP 2 COMPLETE



# ANTI-TIPPING INSTALLATION INSTRUCTIONS

## FURNITURE TIPPING RESTRAINT

### WARNING

Injury may result from tipping furniture.

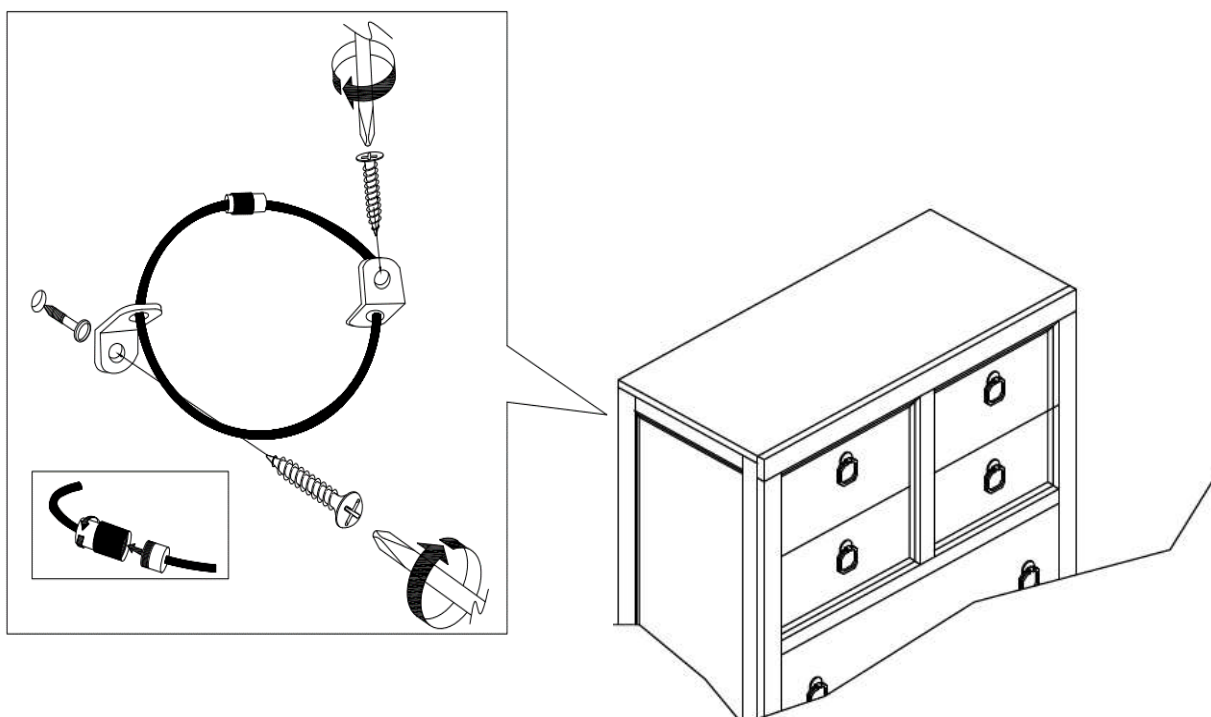
This restraint may protect against tipping furniture.

Do not allow children to climb on furniture.

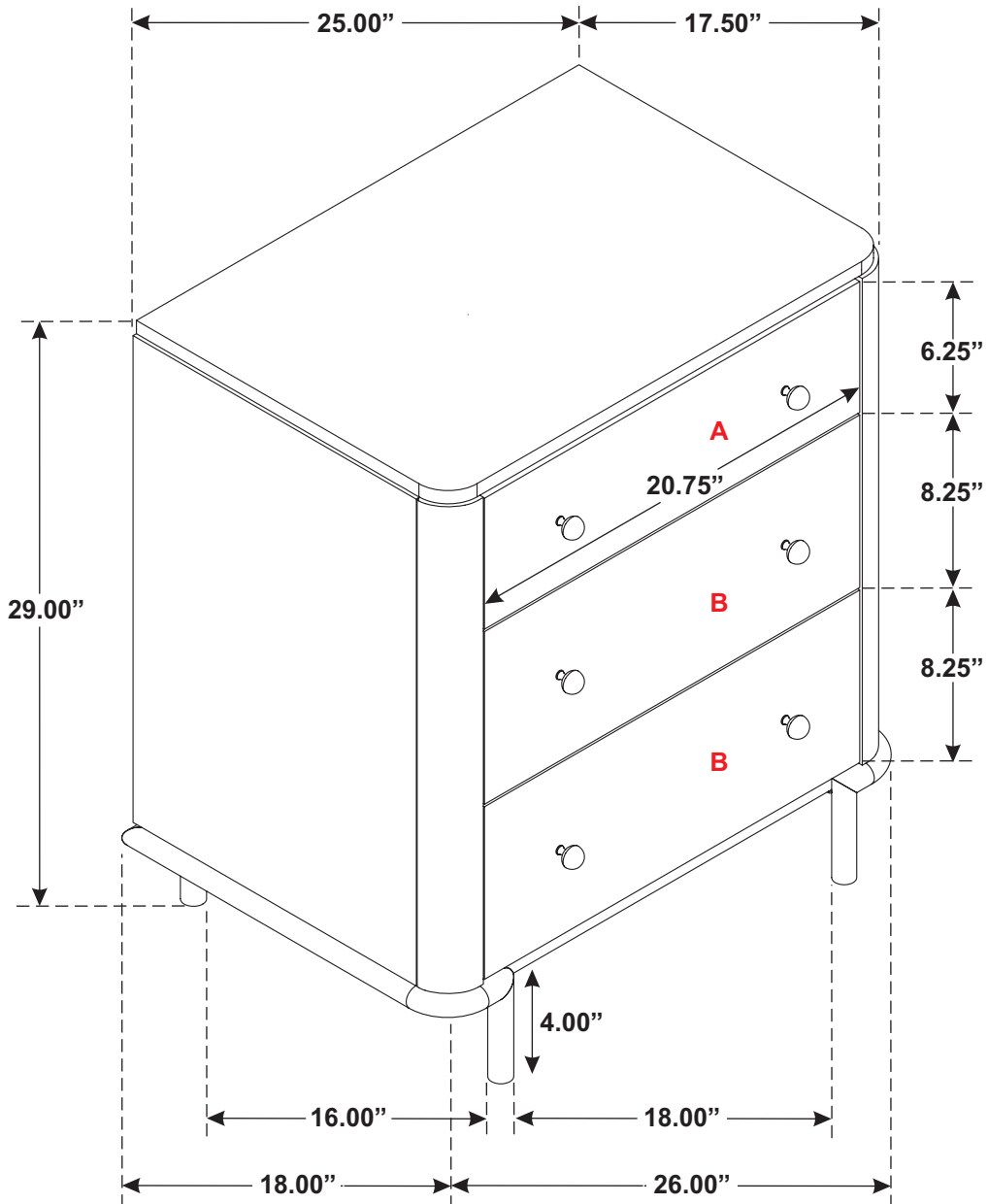
This restraint is not a substitute for proper adult supervision.

Failure to detach this restraint before moving the furniture may result in injury and damage.

1. Attach one of the mounting brackets securely to the back edge of the unit, using the short screw.
2. Determine where the unit is to be placed, and mark the location on the wall for the other mounting bracket. The bracket on the wall needs to be approximately 2" below the bracket mounted to the edge of the unit.
3. Drill a hole in the wall. Insert the plastic wall anchor into the hole and if necessary, use a small block of wood and hammer to tap it in so that it's flush with the wall.
4. Attach the bracket over the plastic wall anchor using the long screw.
5. Place the unit against the wall, both brackets need to be facing each other.
6. Lace an end of the restraint strap through the hole in each bracket. Bring both ends together and rotate the thumb nut onto the threaded end until tight.
7. Ensure that the restraint strap is securely laced and locked.



Inner Size of Drawer A : 18.75"W x 13.75"D x 3.50"H x 0.5"T  
Inner Size of Drawer B : 18.75"W x 13.75"D x 6.00"H x 0.5"T



Note: Dimension tolerance  $\pm 5\%$

# ASSEMBLY INSTRUCTIONS



***Dresser***

# ASSEMBLY INSTRUCTIONS

## ASSEMBLY TIPS:

1. Remove hardware from box and sort by size.
2. Please check to see that all hardware and parts are present prior to start of assembly.
3. Please follow attached instructions in the same sequence as numbered to assure fast & easy assembly.



### WARNING!

1. Don't attempt to repair or modify parts that are broken or defective. Please contact the store immediately.
2. This product is for home use only and not intended for commercial establishments.

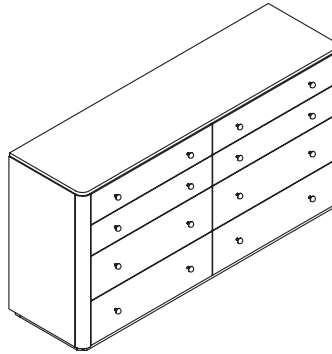


ASSEMBLY TIME

10 MINUTES

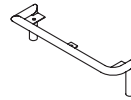
## PART IDENTIFICATION

A DRESSER



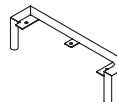
1PC

B LEFT METAL LEG



1PC

C RIGHT METAL LEG



1PC

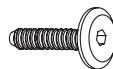
D CENTER SUPPORT LEG WITH LEVELER



1PC

## HARDWARE IDENTIFICATION

1 BOLT  
(M6 x 22mm - BLK)



6PCS

2 LOCK WASHER  
(1.6 x 14mm - BLK)



6PCS

3 FLAT WASHER  
(1 x 18mm - BLK)



6PCS

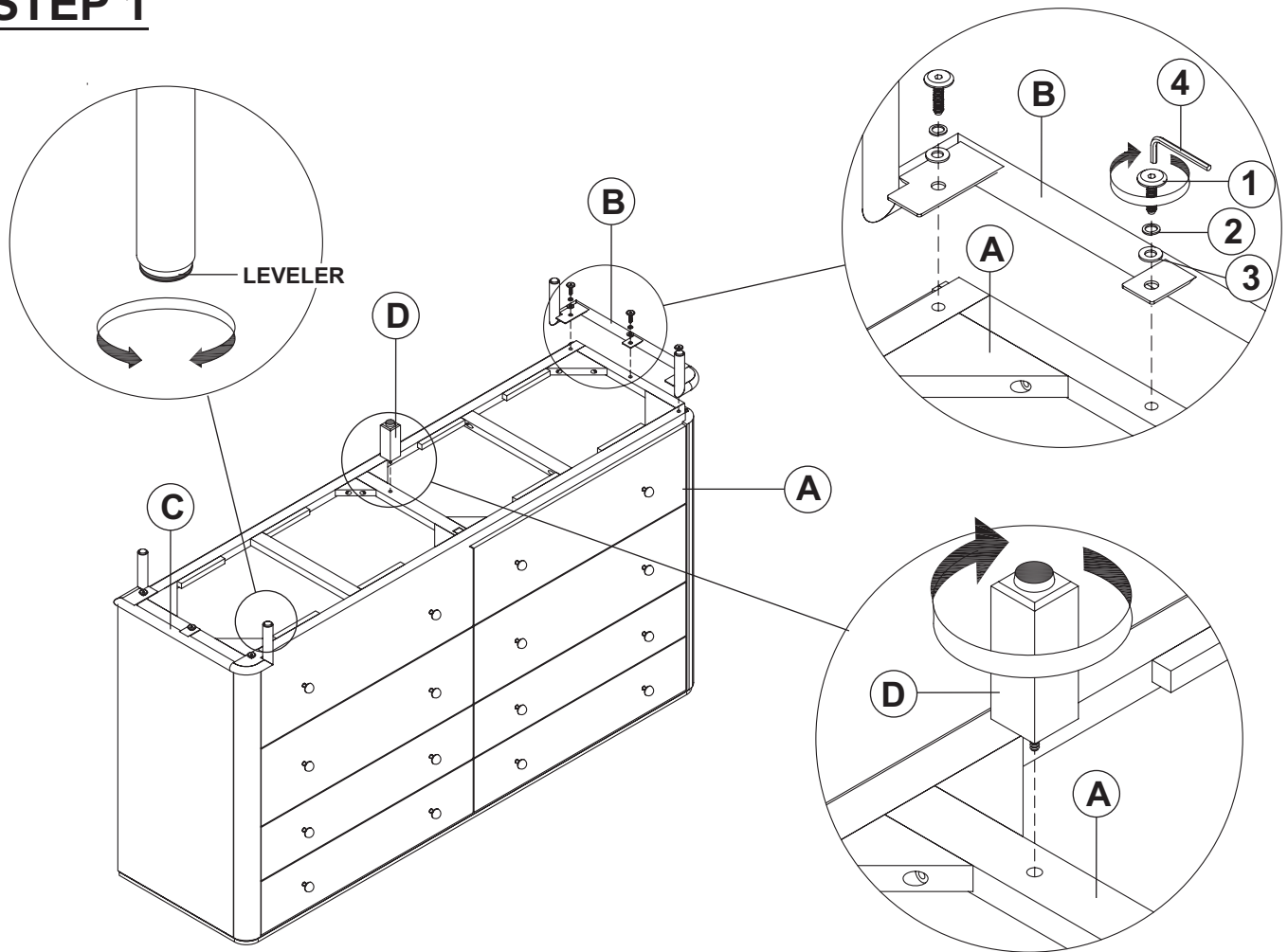
4 ALLEN WRENCH  
(M4 x 65mm - BLK)



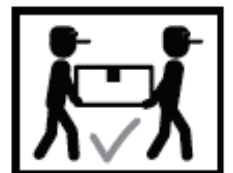
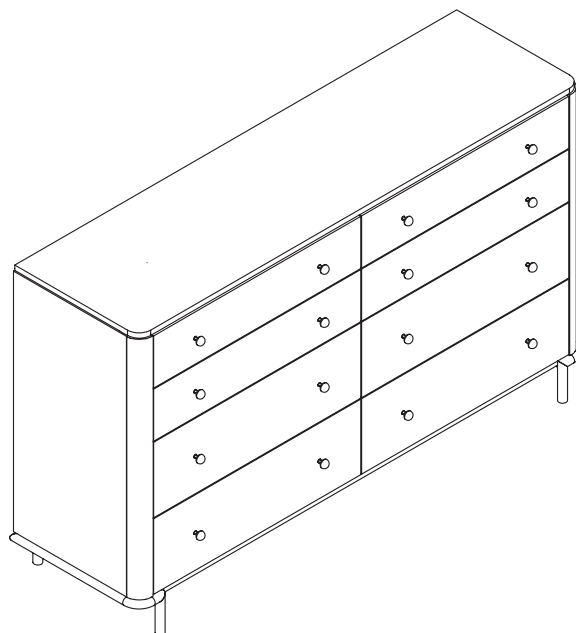
1PC

# ASSEMBLY INSTRUCTIONS

## STEP 1



## STEP 2 COMPLETE



# ANTI-TIPPING INSTALLATION INSTRUCTIONS

## FURNITURE TIPPING RESTRAINT

### WARNING

Injury may result from tipping furniture.

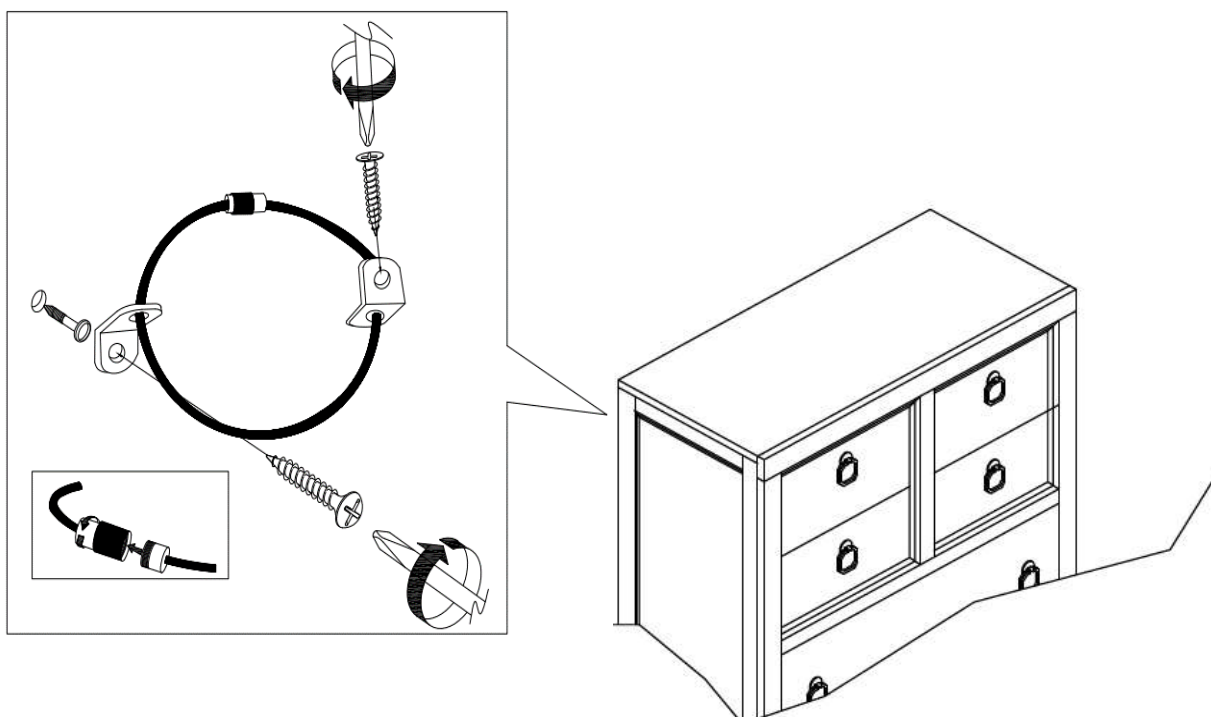
This restraint may protect against tipping furniture.

Do not allow children to climb on furniture.

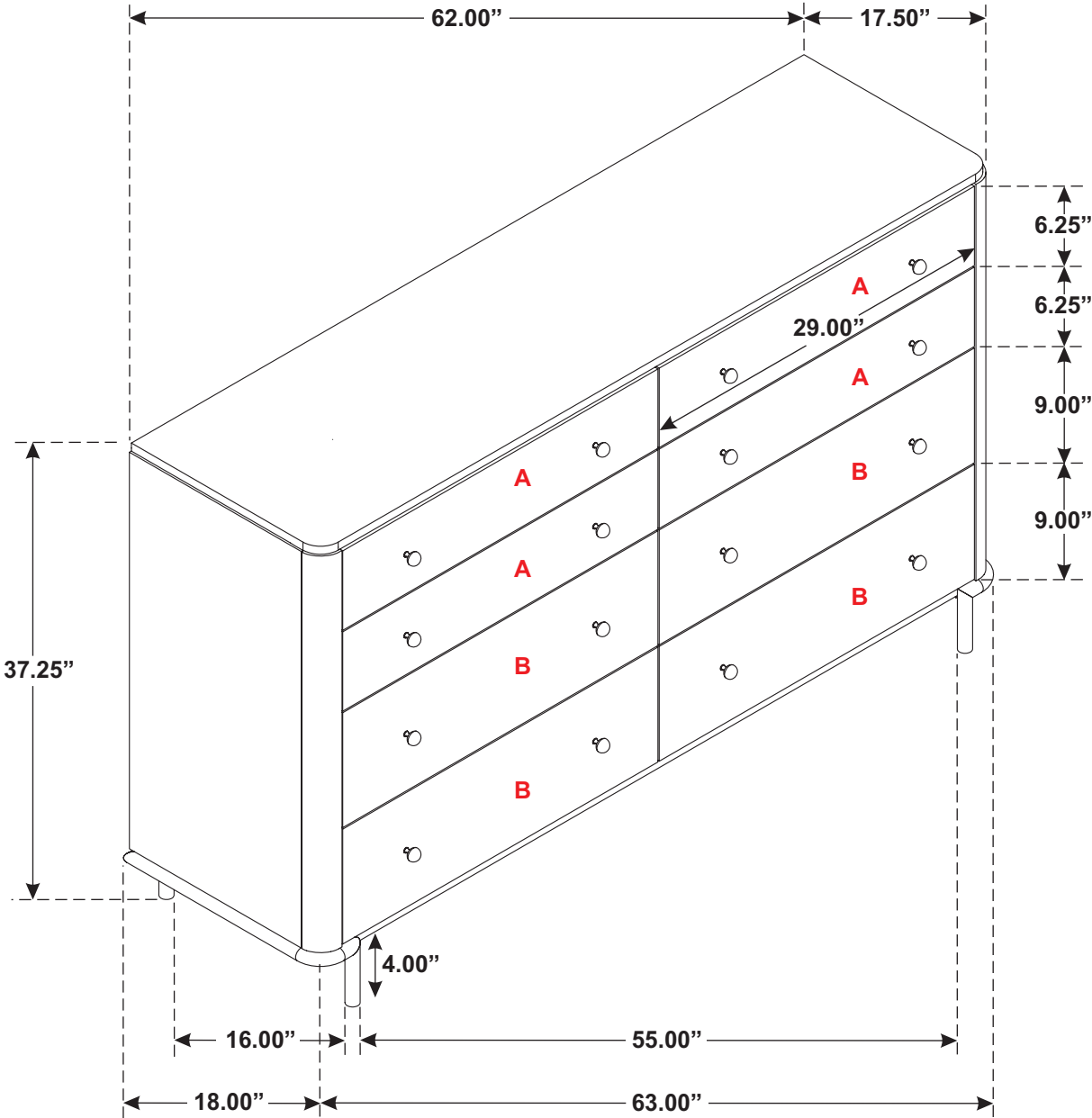
This restraint is not a substitute for proper adult supervision.

Failure to detach this restraint before moving the furniture may result in injury and damage.

1. Attach one of the mounting brackets securely to the back edge of the unit, using the short screw.
2. Determine where the unit is to be placed, and mark the location on the wall for the other mounting bracket. The bracket on the wall needs to be approximately 2" below the bracket mounted to the edge of the unit.
3. Drill a hole in the wall. Insert the plastic wall anchor into the hole and if necessary, use a small block of wood and hammer to tap it in so that it's flush with the wall.
4. Attach the bracket over the plastic wall anchor using the long screw.
5. Place the unit against the wall, both brackets need to be facing each other.
6. Lace an end of the restraint strap through the hole in each bracket. Bring both ends together and rotate the thumb nut onto the threaded end until tight.
7. Ensure that the restraint strap is securely laced and locked.



Inner Size of Drawer A : 26.50"W x 13.75"D x 3.50"H x 0.5"T  
Inner Size of Drawer B : 26.50"W x 13.75"D x 6.50"H x 0.5"T



Note: Dimension tolerance  $\pm 5\%$

# *INSTRUCTIONS D'ASSEMBLAGE*



*Fine Furniture for every stage of life*

***Mirror***

# ASSEMBLY INSTRUCTIONS

## ASSEMBLY TIPS:

1. Remove hardware from box and sort by size.
2. Please check to see that all hardware and parts are present prior to start of assembly.
3. Please follow attached instructions in the same sequence as numbered to assure fast & easy assembly.



### WARNING!

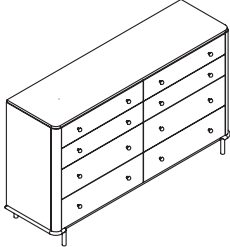

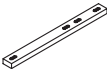
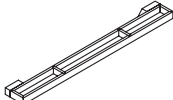
1. Don't attempt to repair or modify parts that are broken or defective. Please contact the store immediately.
2. This product is for home use only and not intended for commercial establishments.



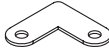





ASSEMBLY TIME

15 MINUTES

## PART IDENTIFICATION

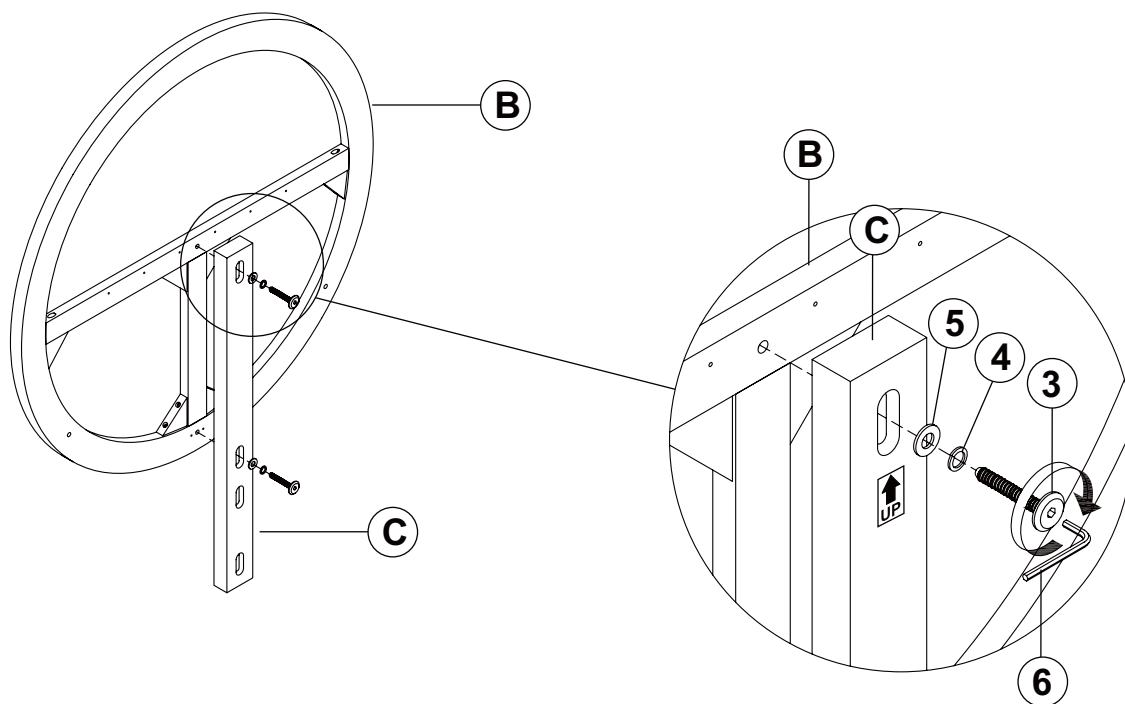
A	<b>DRESSER</b> *FROM BOX ITEM		1 PC
B	<b>MIRROR</b>		1 PC
C	<b>MIRROR SUPPORT</b> (PACKED WITH MIRROR)		1 PC
D	<b>JEWELRY TRAY</b> (PACKED WITH MIRROR)		1 PC

## HARDWARE IDENTIFICATION

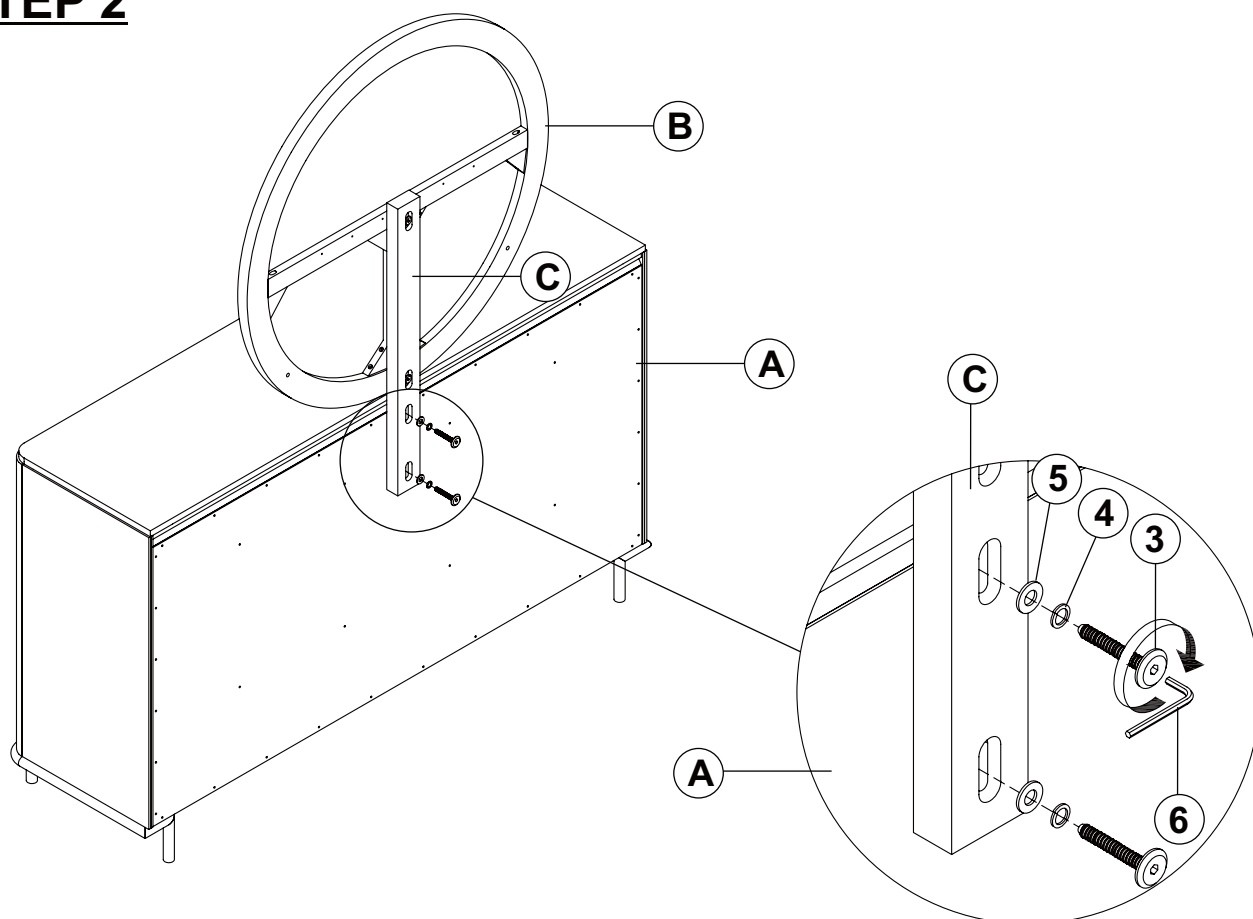
1	<b>METAL CONNECTING MIRROR</b> (2.5 x 65 x 65mm - BLK)		2 PCS
2	<b>BOLT</b> (M6 x 22mm - BLK)		4 PCS
3	<b>BOLT</b> (M6 x 45mm - BLK)		4 PCS
4	<b>LOCK WASHER</b> (1.6 x 14mm - BLK)		4 PCS
5	<b>FLAT WASHER</b> (1 x 18mm - BLK)		4 PCS
6	<b>ALLEN WRENCH</b> (M4 x 65mm - BLK)		1 PC

# ASSEMBLY INSTRUCTIONS

## STEP 1

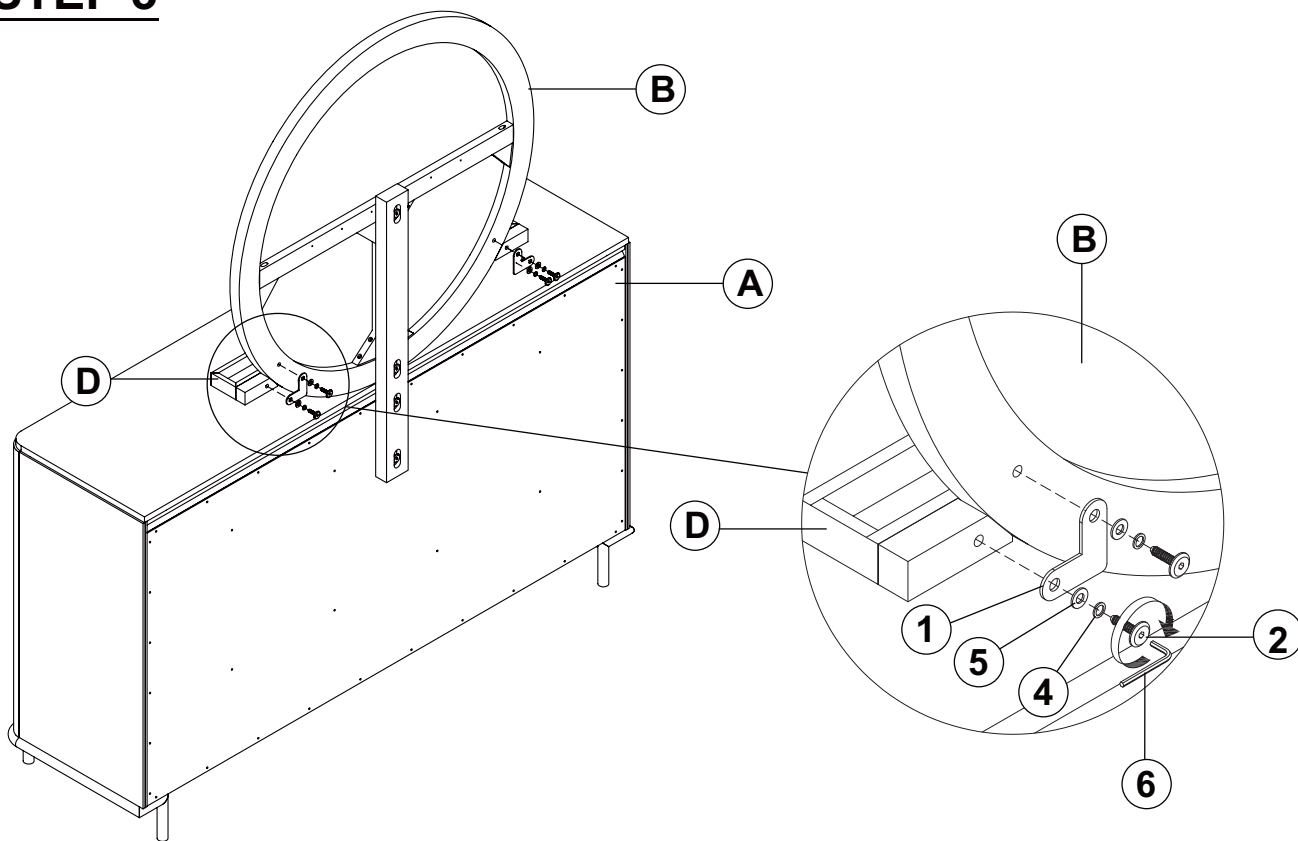


## STEP 2

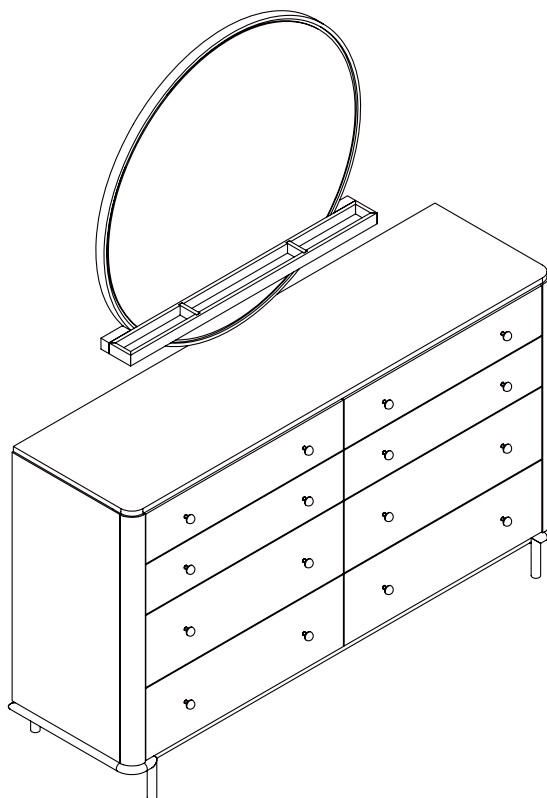


# ASSEMBLY INSTRUCTIONS

## STEP 3



## STEP 4 COMPLETE



# ASSEMBLY INSTRUCTIONS

## ASSEMBLY TIPS:

1. Remove hardware from box and sort by size.
2. Please check to see that all hardware and parts are present prior to start of assembly.
3. Please follow attached instructions in the same sequence as numbered to assure fast & easy assembly.



### WARNING!

1. Don't attempt to repair or modify parts that are broken or defective. Please contact the store immediately.
2. This product is for home use only and not intended for commercial establishments.



ASSEMBLY TIME

15 MINUTES

## PART IDENTIFICATION

**B MIRROR**



**1 PC**

**E SHORT HANGING BAR  
( PACKED WITH MIRROR )**



**1 PC**

**F LONG HANGING BAR  
( PACKED WITH MIRROR )**



**2 PCS**

## HARDWARE IDENTIFICATION

**7 FLAT HEAD SCREW  
( 8 x 1" - BLK )**



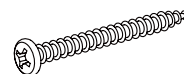
**2 PCS**

**8 SHORT PAN HEAD SCREW  
( 8 x 5/8" - BLK )**



**6 PCS**

**9 LONG PAN HEAD SCREW  
( 8 x 2" - BLK )**



**6 PCS**

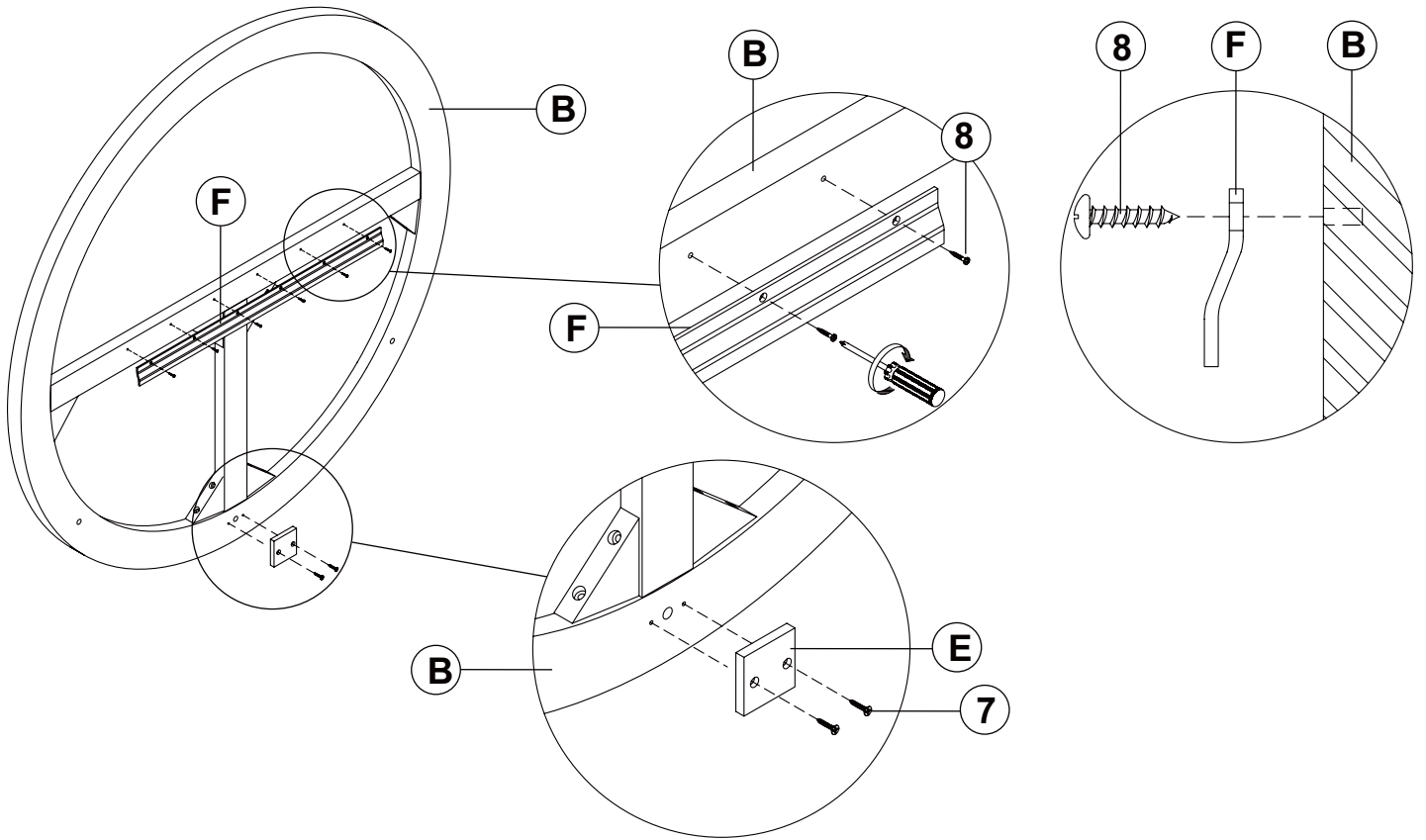
**10 PLASTIC ANCHOR  
( S8 - GREY )**



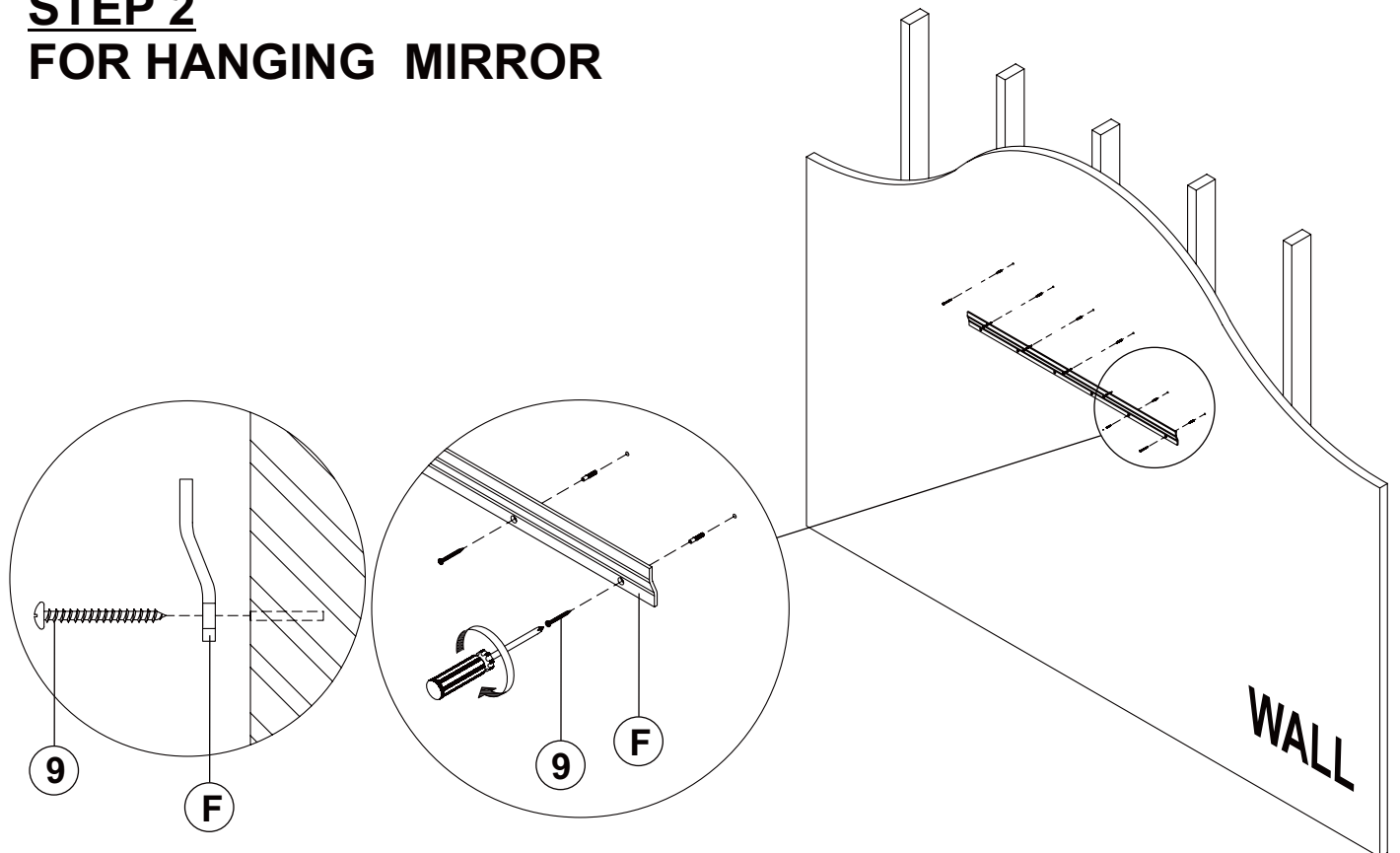
**6 PCS**

# ASSEMBLY INSTRUCTIONS

## STEP 1 FOR HANGING MIRROR

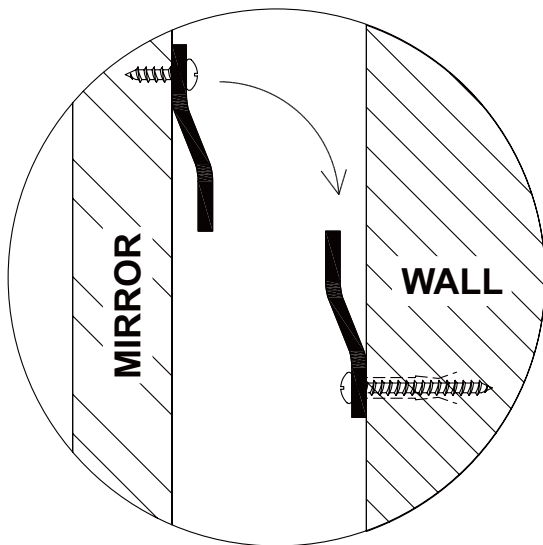
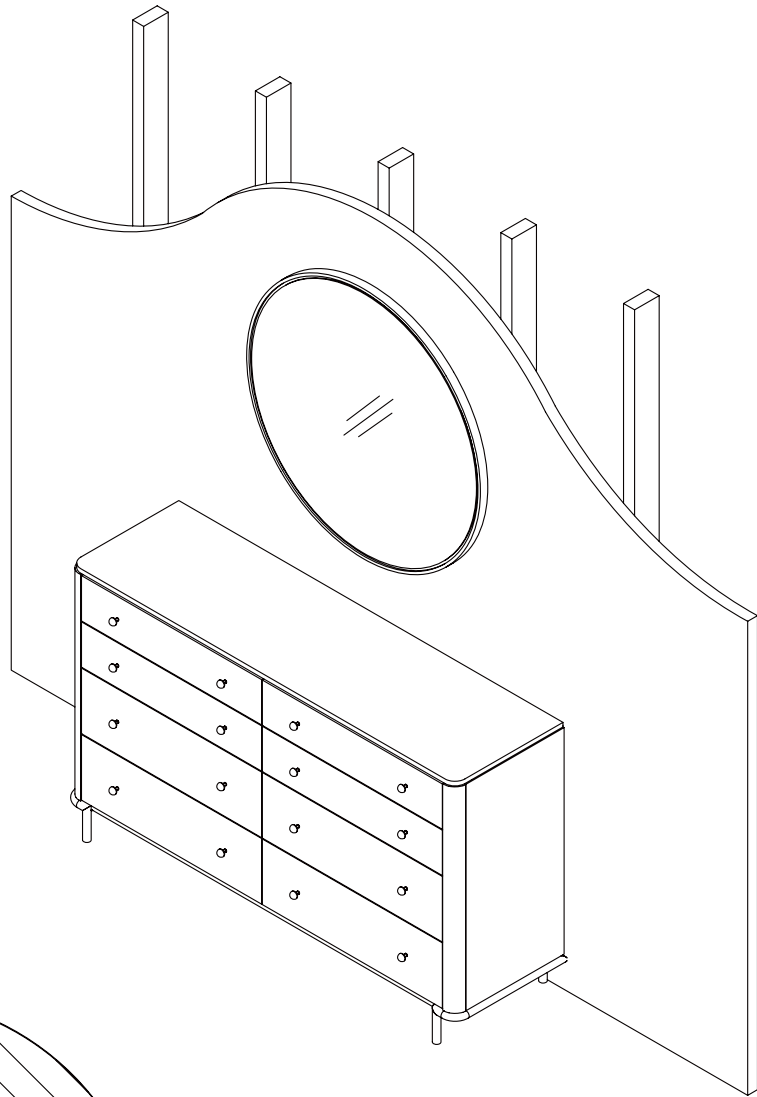


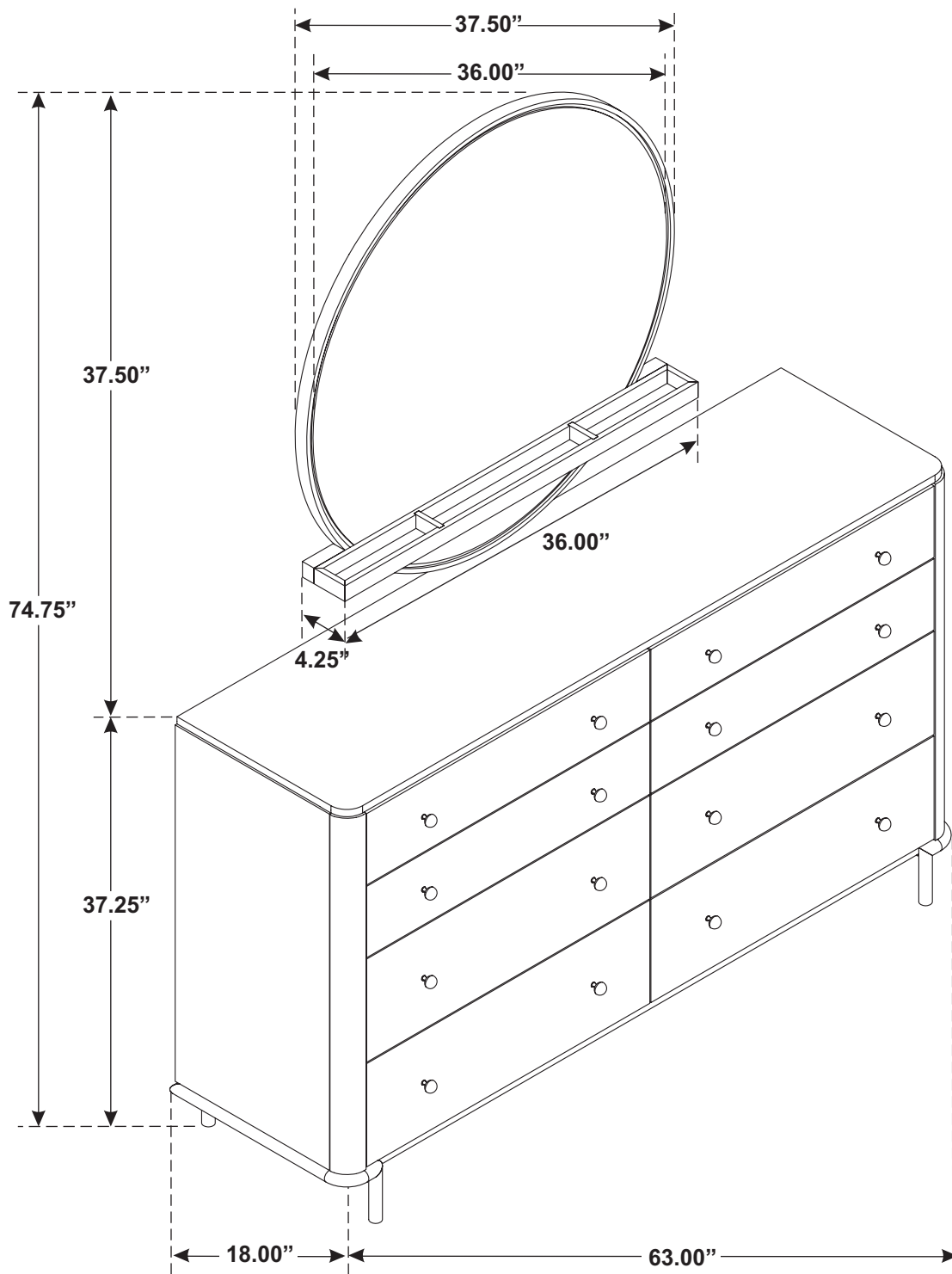
## STEP 2 FOR HANGING MIRROR



# ASSEMBLY INSTRUCTIONS

## STEP 3 FOR HANGING MIRROR COMPLETE





**Note: Dimension tolerance  $\pm 5\%$**