

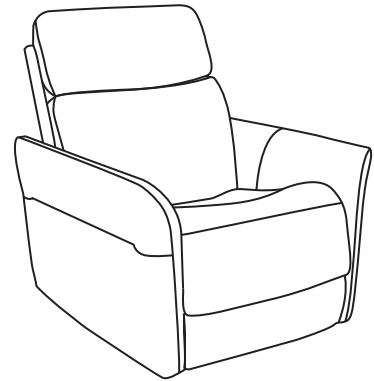
FLEXSTEEL®

Power Recliner with Power Headrest, Lumbar and Air Massage

IMPORTANT NOTE

Read these instructions carefully, and familiarize yourself with each procedure before assembling the furniture. Check that you have all the component parts, and familiarize yourself with each part before proceeding.

Take all the fittings out of the plastic bag and separate them into groups. Ensure you have enough space to lay out all the parts before assembly. To prevent damage to the parts, we recommend that you assemble the unit on a soft, level surface.



Part List

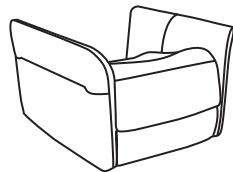
A. Back Cushion
1 piece



C. Hand Wand



B. Seat Cushion
1 piece



D. Transformer

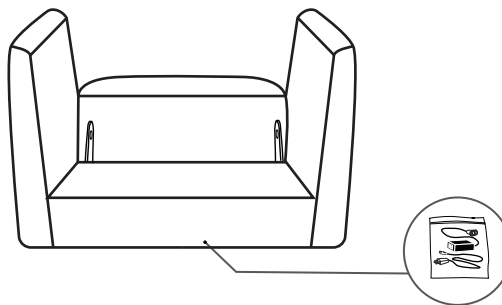


Assembly Instructions

STEP 1

Detach the transformer from the back rail of the mech where under the seat (B). (See Figure 1.)

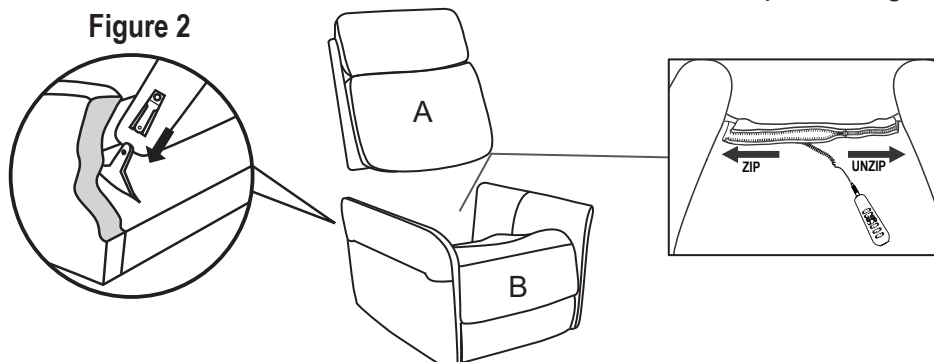
Figure 1



STEP 2

Attach the Back (A) to the Seat (B). Ensure the latches fit well. (See Figure 2.) Locate the zippers in the flaps of the back of the seat and the bottom of the backrest. Zip them together.

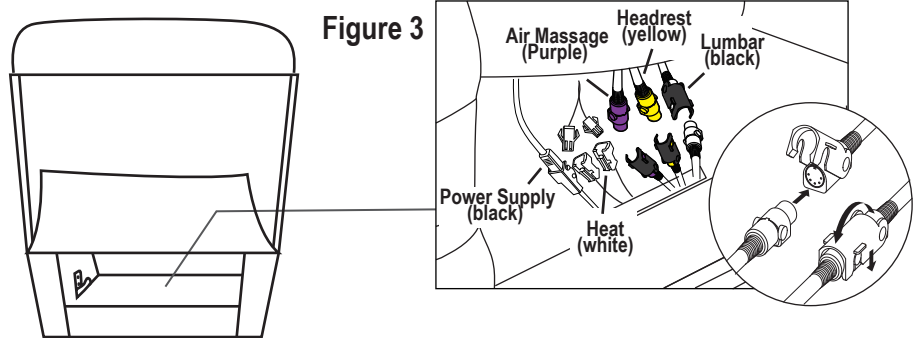
Figure 2



Assembly Instructions

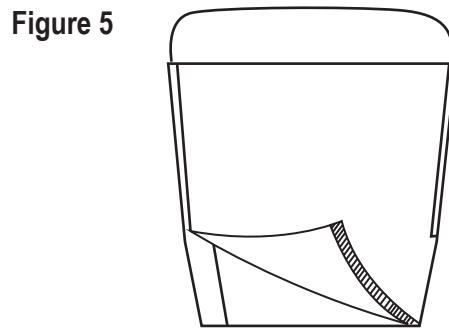
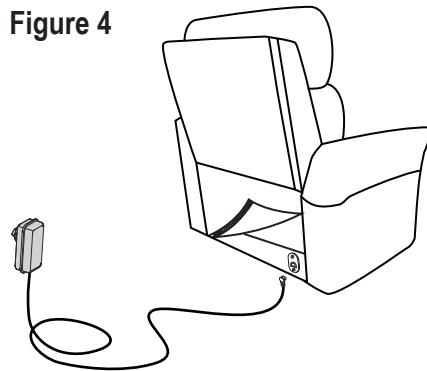
STEP 3

Flip up the back flaps, and remove the cables from the Backs (A). Plug all the connectors. (See the Figure 3.)



STEP 4

Plug the transformer to the plug coming from the recliner. Plug the transformer into a nearby outlet, still making sure it is clear of the metal base. (See Figure 4.)



STEP 5

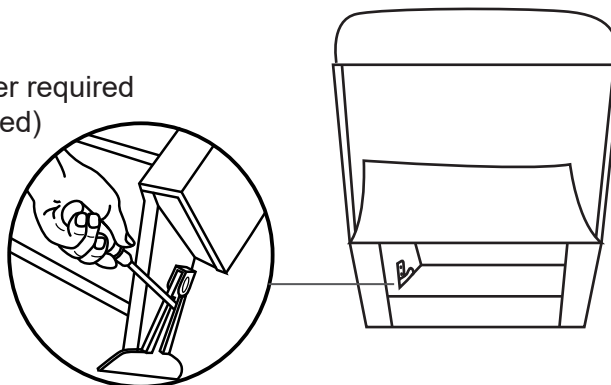
Fasten the back flap to the bottom of the furniture. (See Figure 5.)

STEP 6

To remove the back from the base, use a screwdriver pressing outward on the black tab in the metal receivers on both sides of the chair back and lift the back from the base of the chair to release. (See Figure 6.)

Figure 6

Screwdriver required
(not included)



IMPORTANT NOTE

- To avoid any risk of suffocation to children or pets, dispose of all plastic bags immediately.
- To ensure proper performance, occasionally check for loose screws and tighten as needed.
- If the reclining functions are not working properly, check for loose cable connections before contacting the retailer.