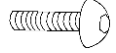
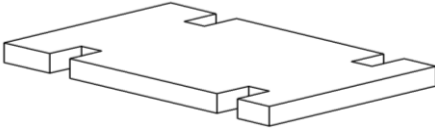




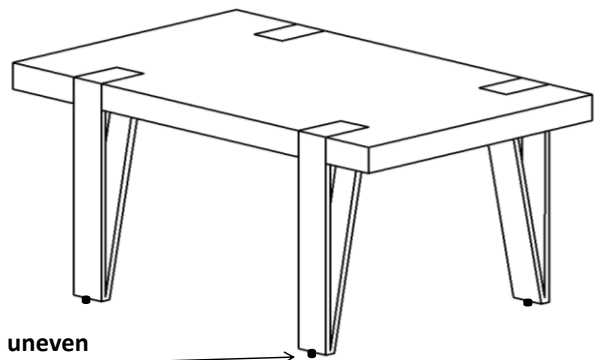
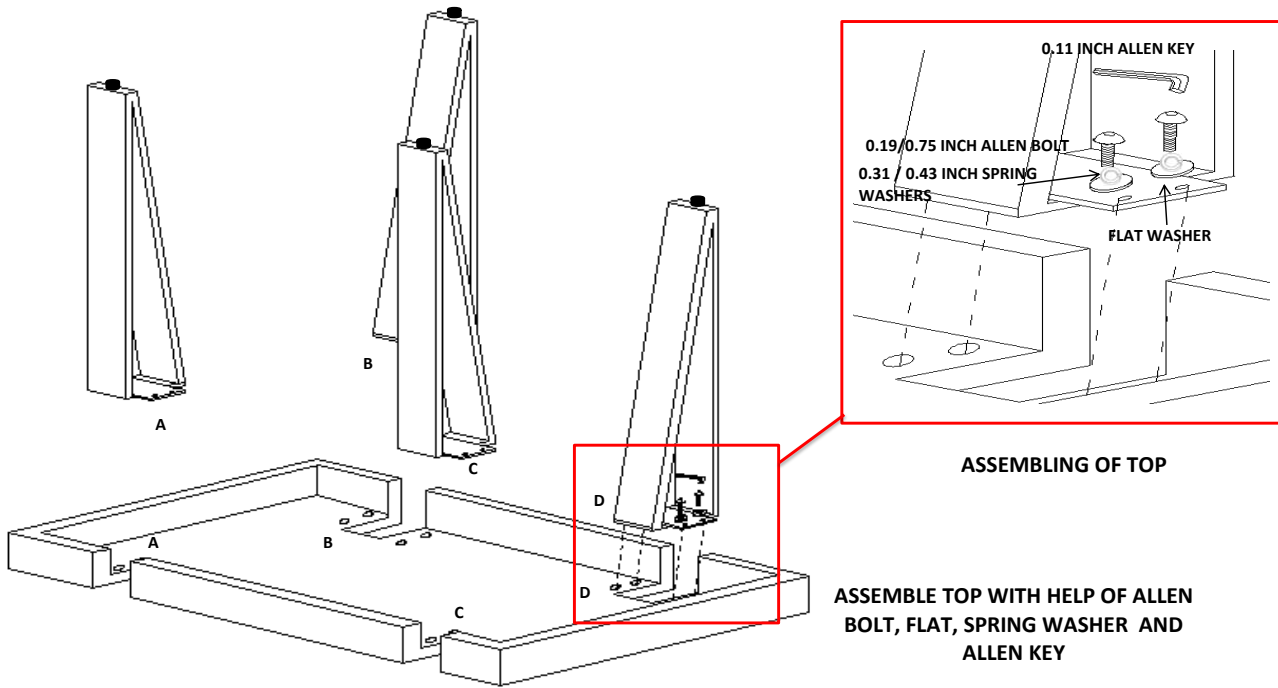


ASSEMBLY INSTRUCTIONS

HARDWARE PARTS				DINING TABLE PARTS	
No.	Drawing	Qty.	Extra Qty.		
1	 0.19/0.75 INCHES ALLEN BOLT 16 PCS.	16	1	 DINING TABLE TOP	 TABLE LEG
2	 0.11 INCH ALLEN KEY 1 PC.	1	0		
3	 0.31 / 0.43 INCH SPRING WASHER	16	1		
4	 FLAT WAHSER	16	1		

Step:- 1 Spread a rug on floor & put the table parts. As shown in drawing

Step:-2 Place the Iron Leg to the wooden part after screw the Allen bolt 16(0.19/0.75 inch), along with flat and spring washer help of allen key 1(0.11 Inch). As shown in drawing



Tip for leveling of product: When the product rests on an uneven floor surface it will appear to be unbalanced. To aid in leveling, try adjusting the levelers located on the bottom of each foot.

READY TO USE