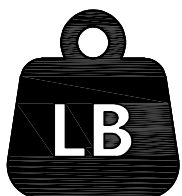


NOTE:

This brochure contains **IMPORTANT** safety info. Please read and keep for future reference.

MAINTENANCE AND WARNING

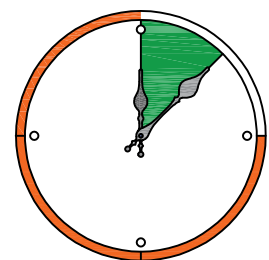
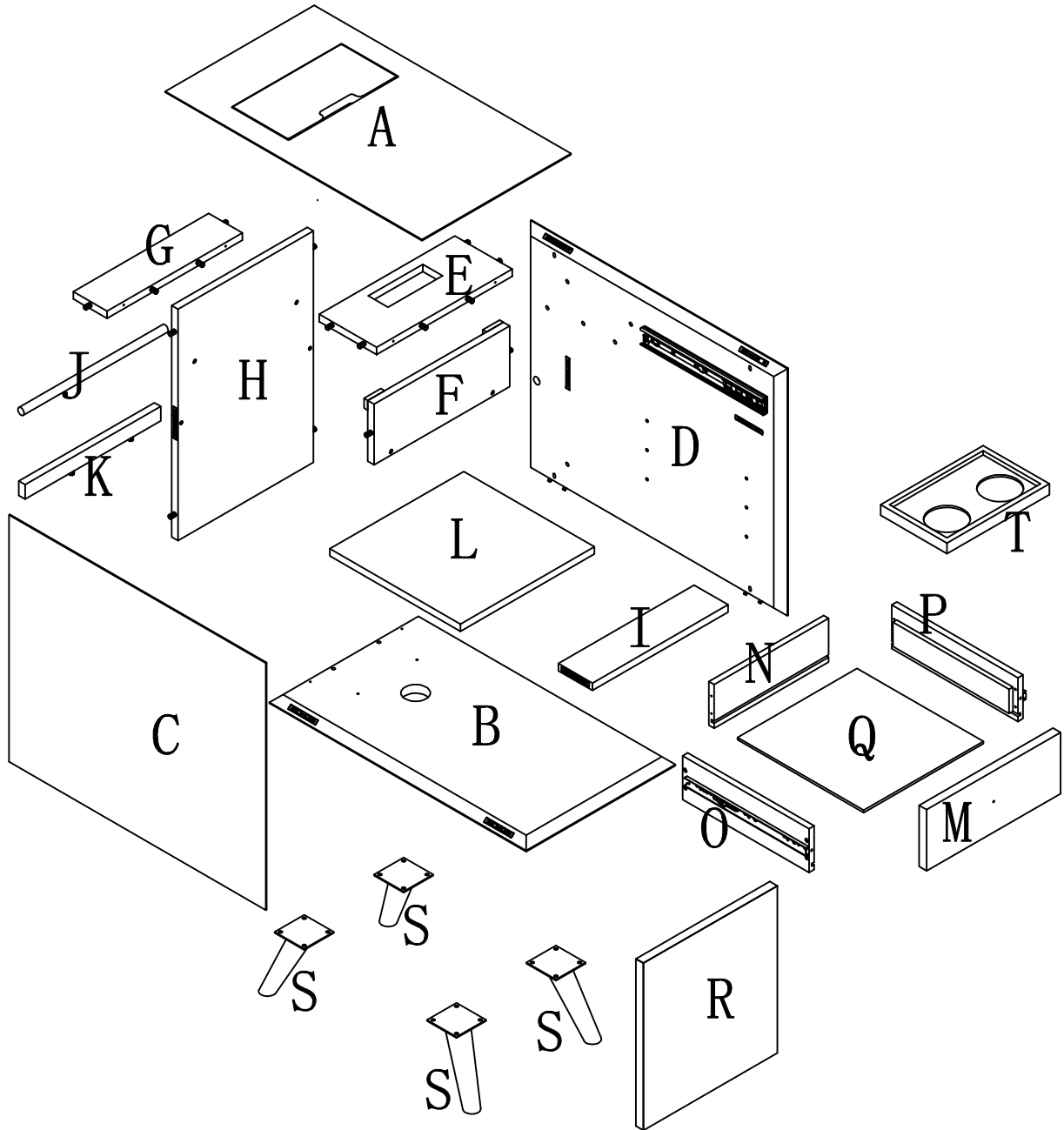
- 1.Keep furniture away from heat sources.
- 2.Do not clean furniture with harsh cleaner or polishes.Do not use detergents,solvents,abrasives,spray packs or leather cleaner. Use non-color mild soa with warm water to clean spills(Mix 1:10 soap to water).
- 3.Do not place furniture under direct sunlight,material will possibly fade over time.
- 4.Do not use on site dry cleaning machine.Children should not climb or jump on the furniture.
- 5.Do not write on furniture that is not protectedby a padded barrier.
- 6.Not for commercial use,only for residential use.



Weight Limitation

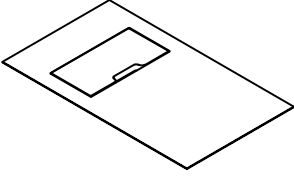
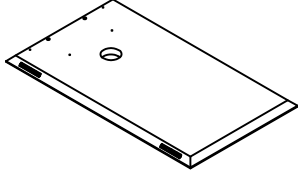
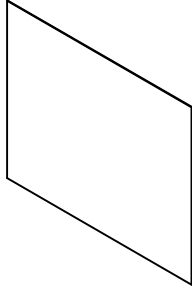
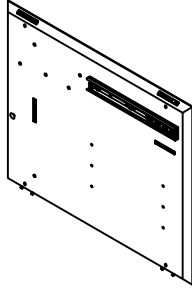
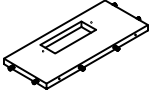
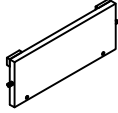
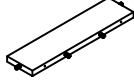
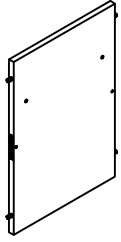
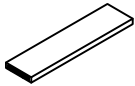


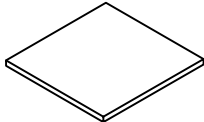
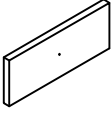
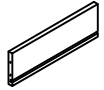
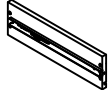
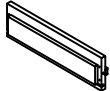
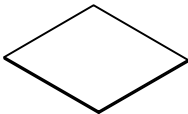
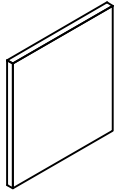

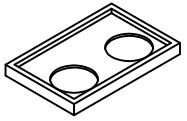
80 LBS

EXPLOSIVE VIEW

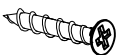
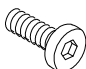


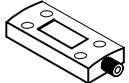

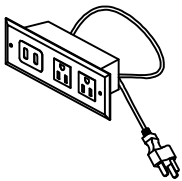


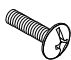

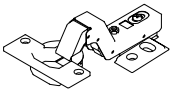
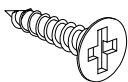


Around 65 min

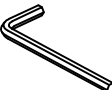
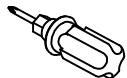
PARTS LIST

A	x1	B	x1	C	x1	D	x1
							
E	x1	F	x1	G	x1	H	x1
							
I	x1	J	x1	K	x1	L	x1
							
M	x1	N	x1	O	x1	P	x1
							
Q	x1	R	x1	S	x4	T	x1
							

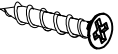
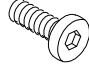


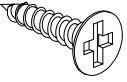
HARDWARE LIST

#1	x16	#2	x16	#3	x16	#4	x16	#5	x1	#6	x4
											
$\phi 8\#1"$		$\phi 1/4\#1/2"$		$\phi 1/4"$		$\phi 1/4"$				$\phi 4\#19\text{mm}$	
#7	x1	#8	x2	#9	x1	#10	x1	#11	x4	#12	x2
											
		$\phi 3\#12\text{mm}$				$\phi 5/32\#1"$					
#13	x12										
											
$\phi 3.5\#14\text{mm}\#6\#$											

TOOL LIST

#14	x1	#15	x1
			
M4			

HARDWARE SPARE LIST

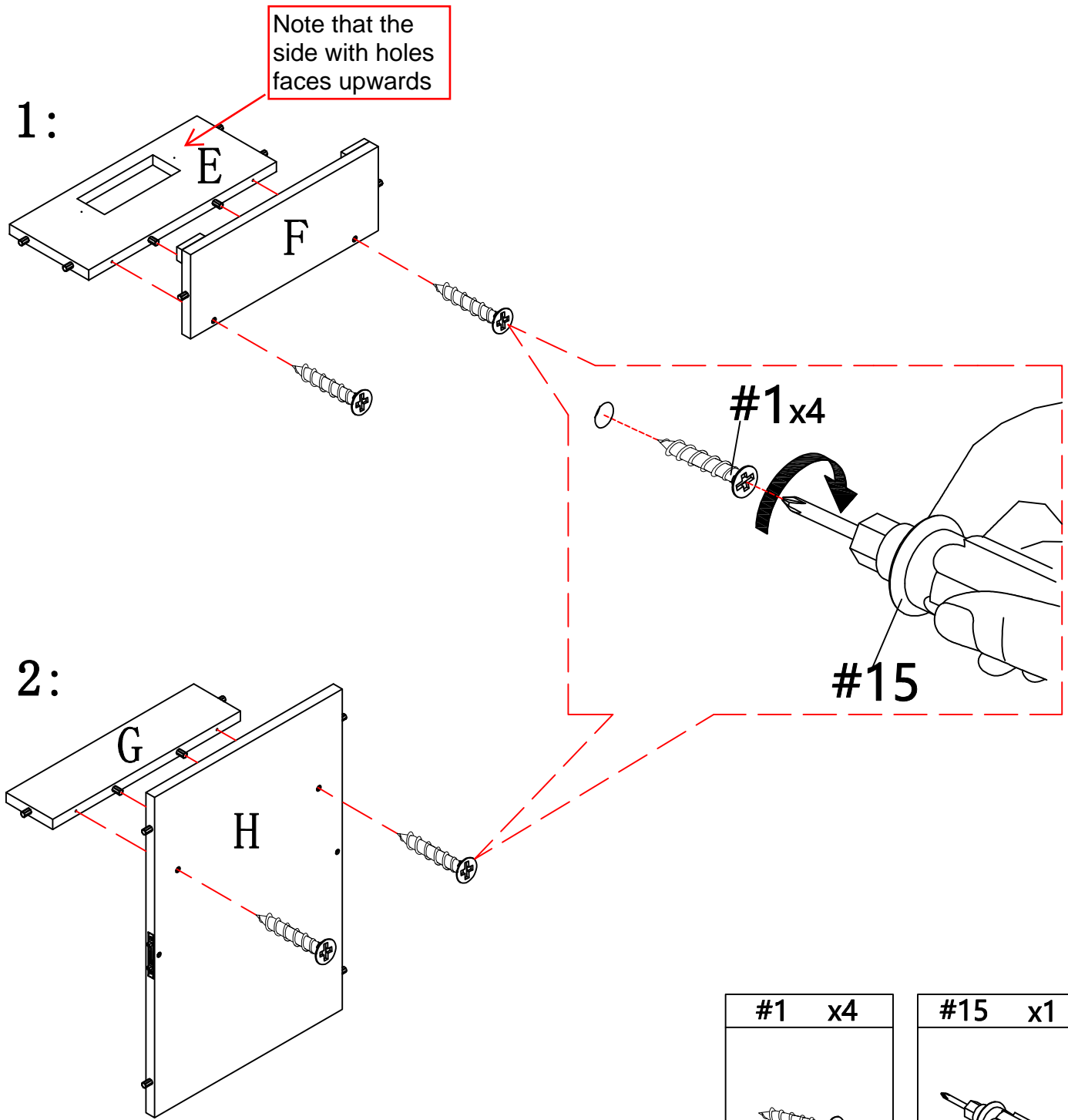
#1	x1	#2	x1	#3	x1	#4	x2	#13	x1
									
$\phi 8\#1"$		$\phi 1/4\#1/2"$		$\phi 1/4"$		$\phi 1/4"$		$\phi 3.5\#14\text{mm}\#6\#$	

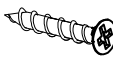
ASSEMBLY INSTRUCTIONS

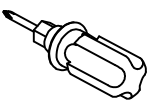
STEP-1

1. connect part(F) to part (E) with screw #1, tight screw with screwdriver #15.

2. connect part (G) to part (H) with screw #1, tight screw with screwdriver #15.



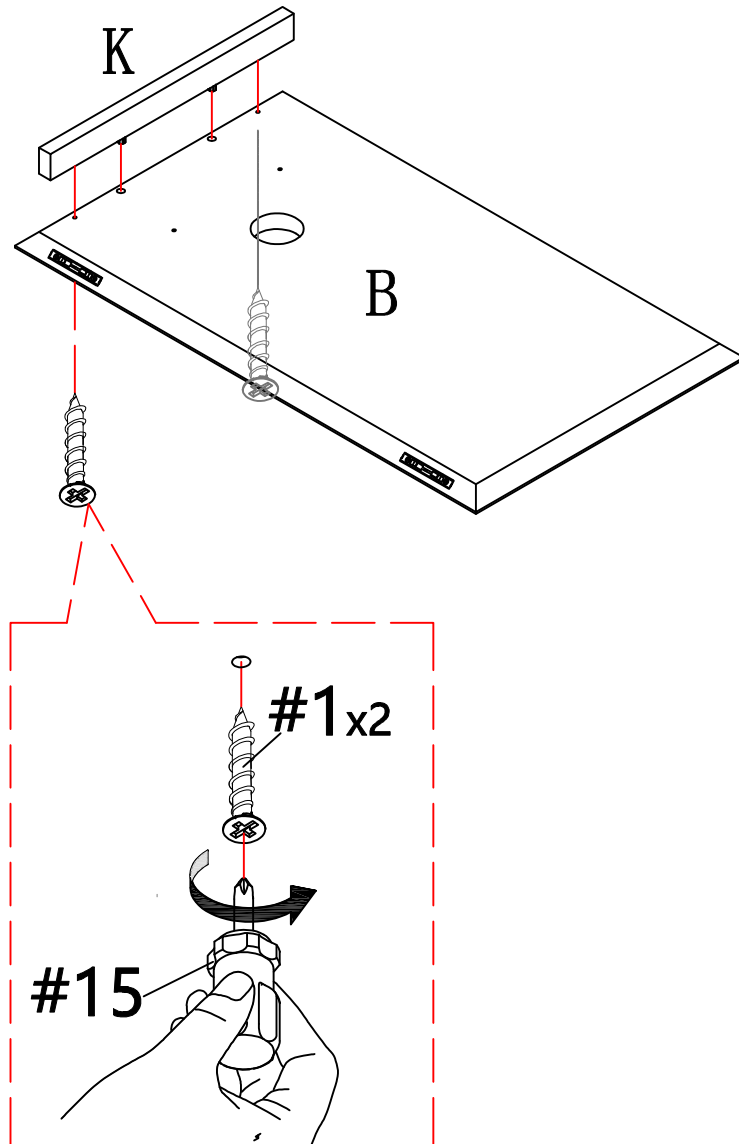
#1	x4
	
ø8#*1"	

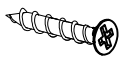
#15	x1
	

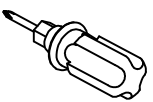
ASSEMBLY INSTRUCTIONS

STEP-2

1. connect part (k) to part (B) with screw #1, tight screw with screwdriver #15.



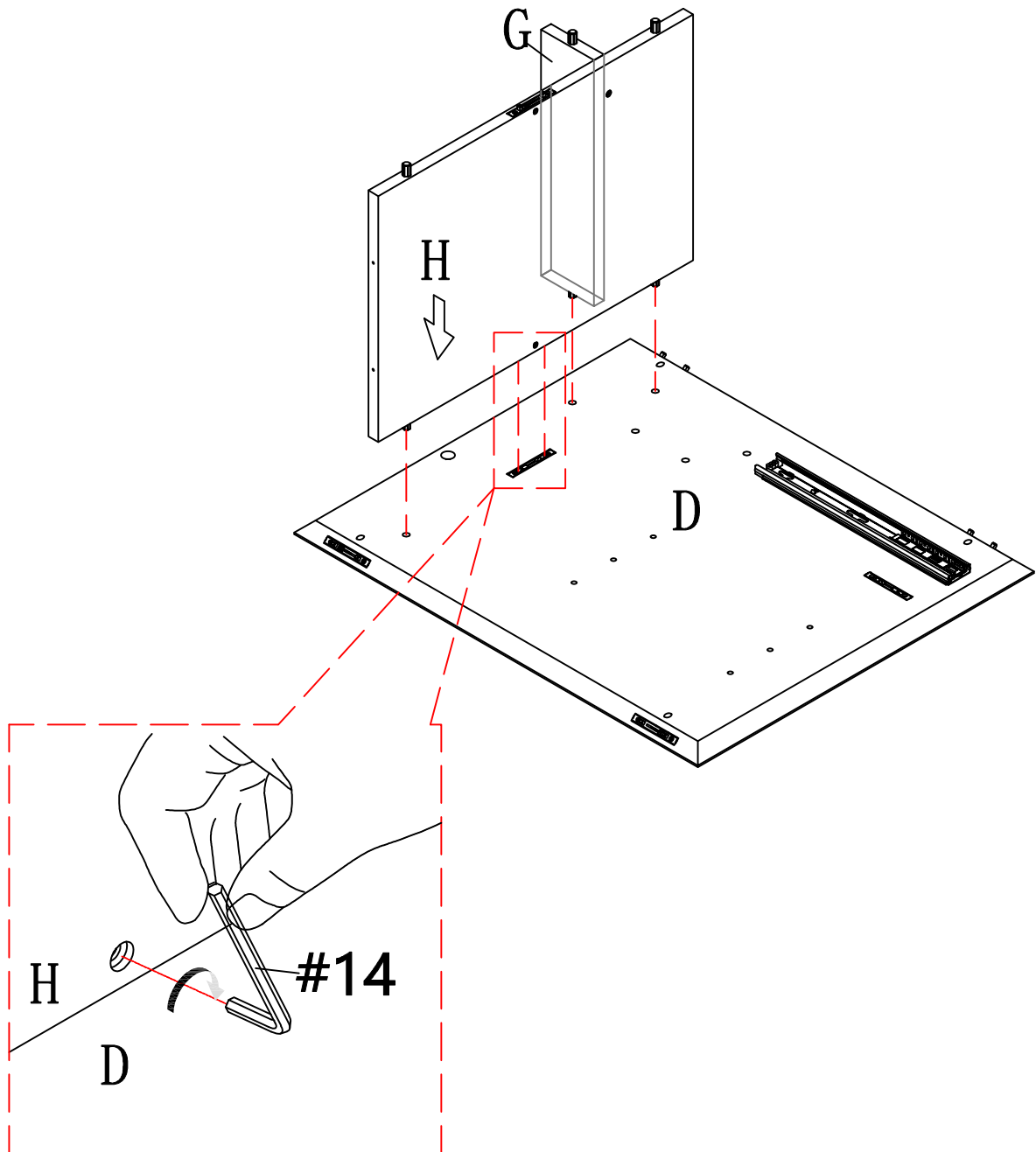
#1	x2
	
ø8#*1"	

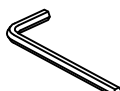
#15	x1
	

ASSEMBLY INSTRUCTIONS

STEP-3

1.insert part (G/H) to part (D) , make sure all holes aligned and tight it with allen wrench #14.

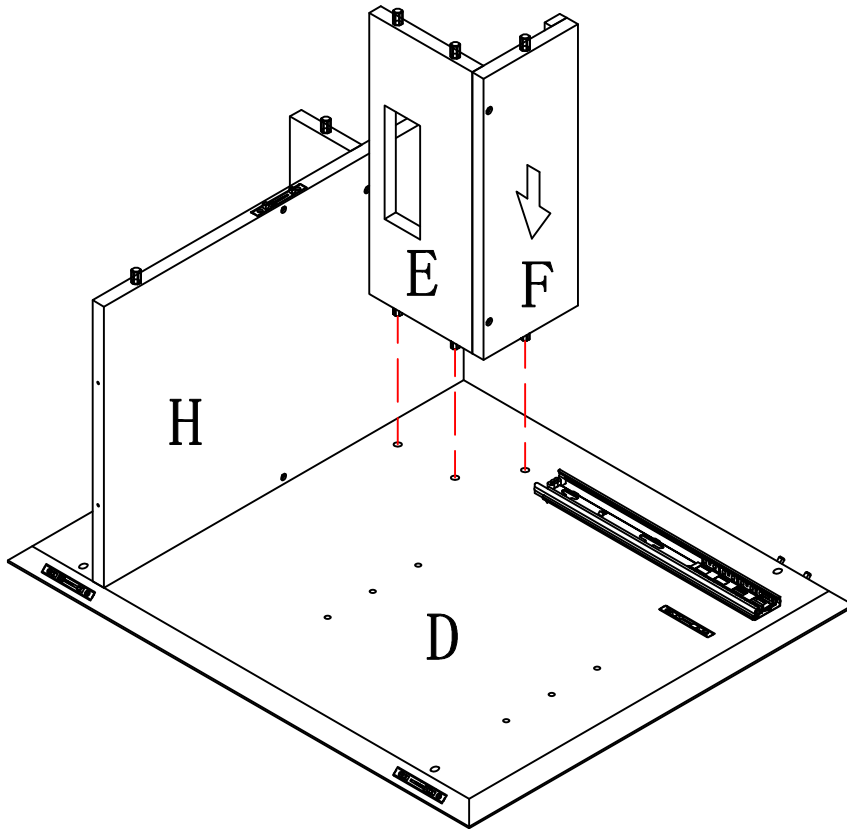


#14	x1
	
M4	

ASSEMBLY INSTRUCTIONS

STEP-4

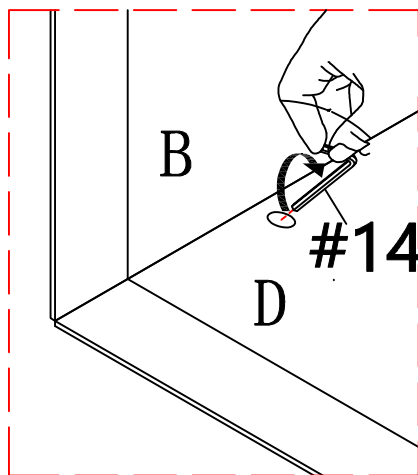
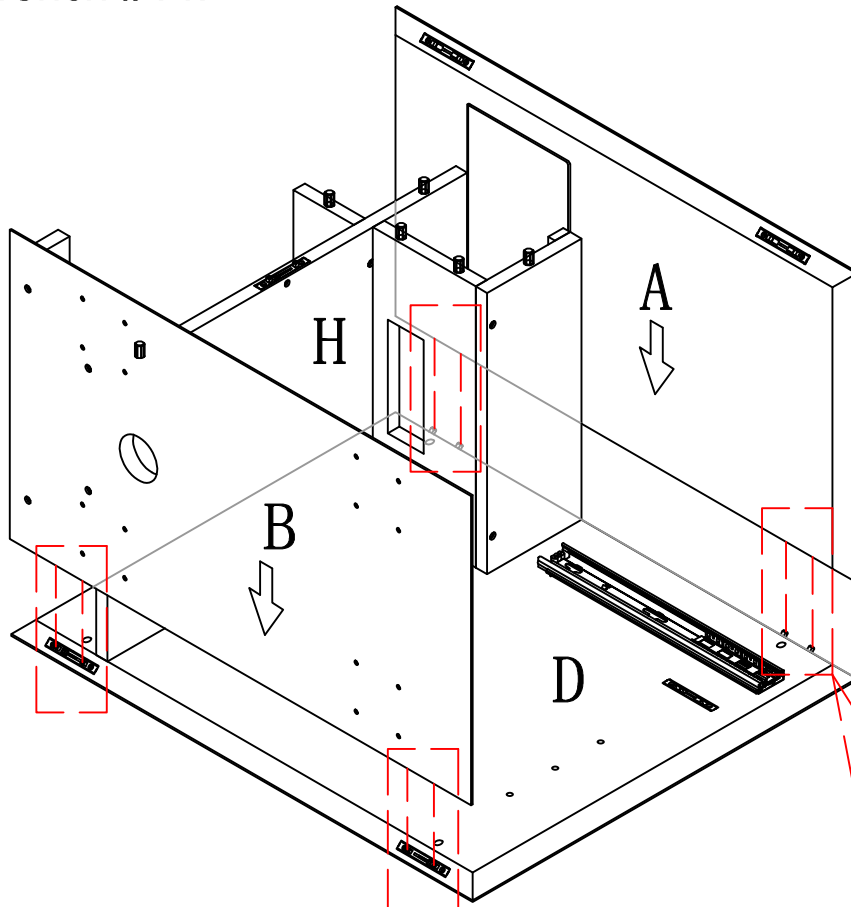
1.insert part (E/F) to part (D) ,make sure all holes aligned.



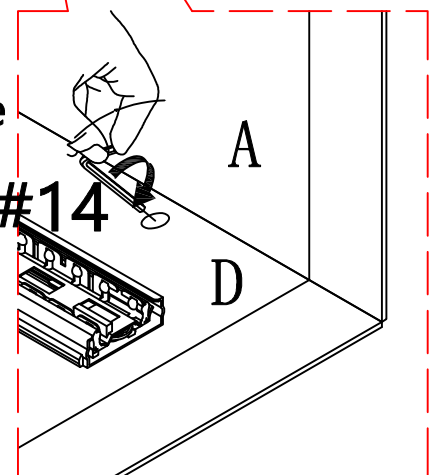
ASSEMBLY INSTRUCTIONS

STEP-5

1.insert part (A/B) to part (D), make sure all holes aligned and tight with allen wrench #14.



The allen wrench must be keep at a 45 degree Angle to the panel A&B

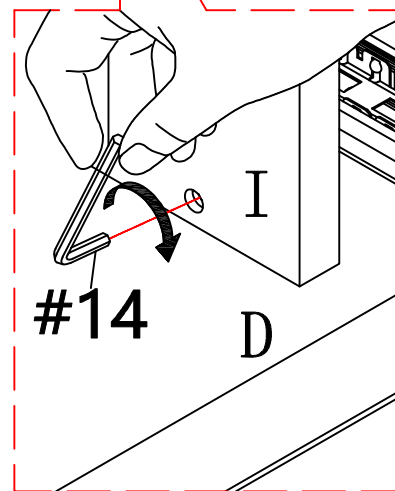
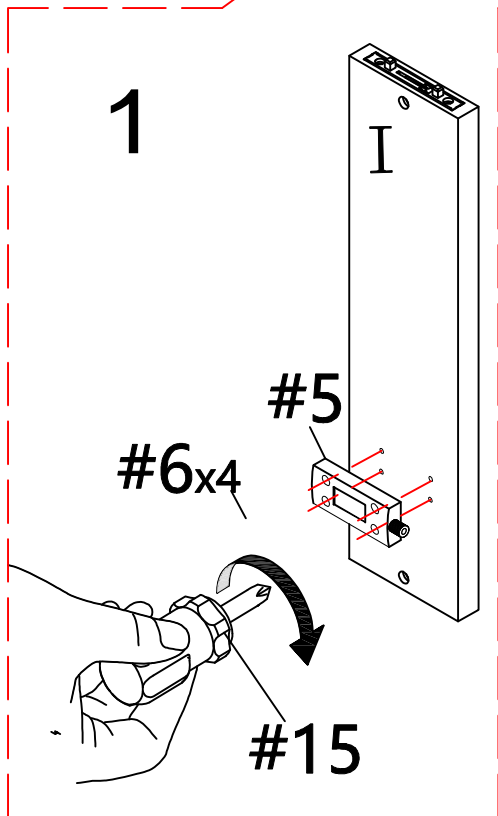
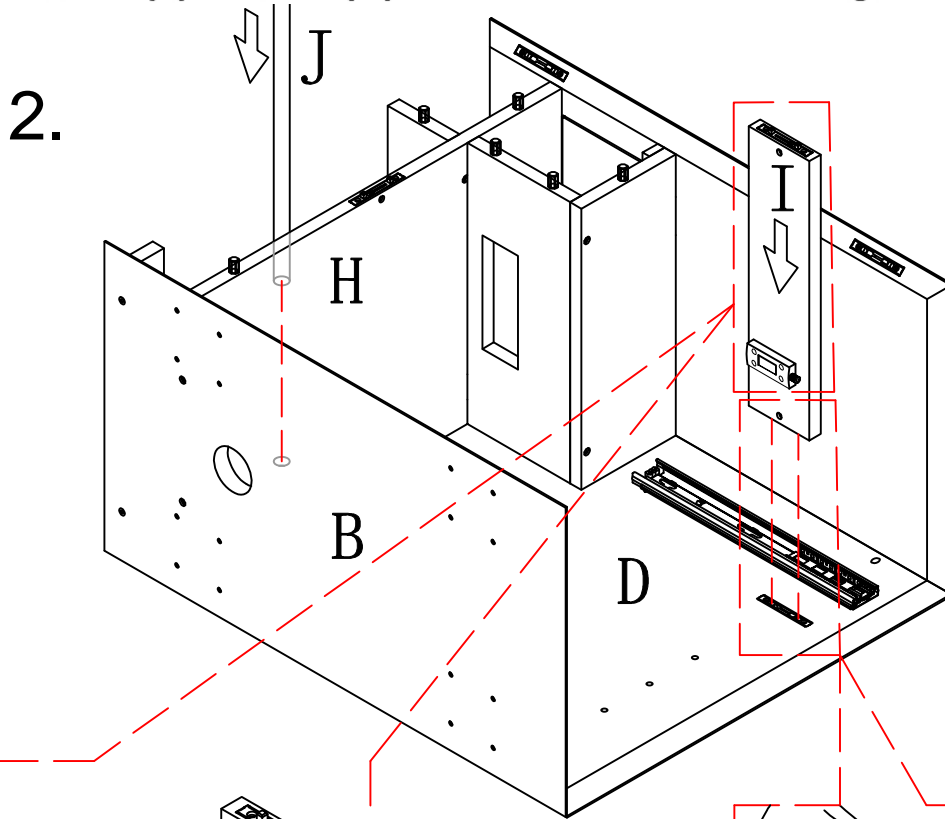


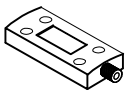

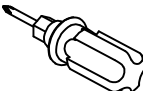

#14	x1
M4	

ASSEMBLY INSTRUCTIONS

STEP-6

1. connect part #5 to part(I) with screw #6, tight it with screwdriver #15. insert part (I) to part (D) ,make sure all holes aligned and tight with allen wrench #14.
2. insert part (J) to part (B), make sure the hole aligned.

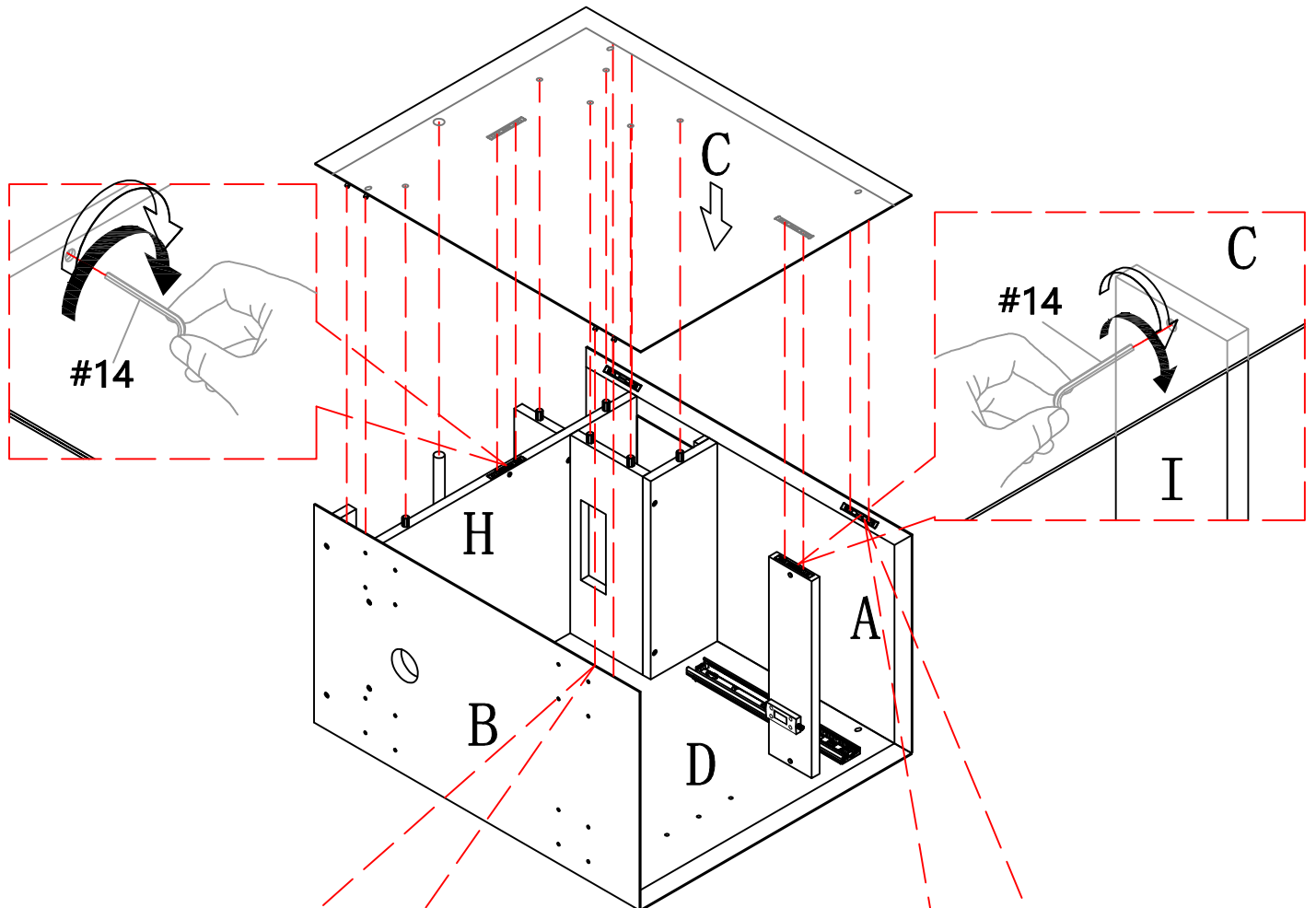


#5	x1	#6	x4	#15	x1	#14	x1
							
		ø3#*20mm				M4	

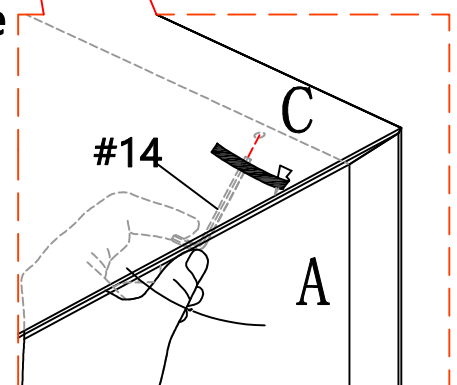
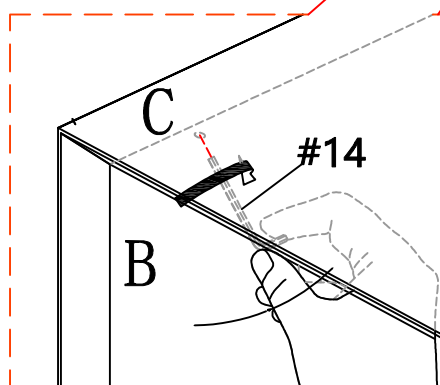
ASSEMBLY INSTRUCTIONS

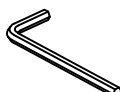
STEP-7

1.insert part (C) to the unit pre-assembled at step 6, make sure all holes aligned and tight with allen wrench #14.



The allen wrench must be keep at a 45 degree Angle to the panel A&B

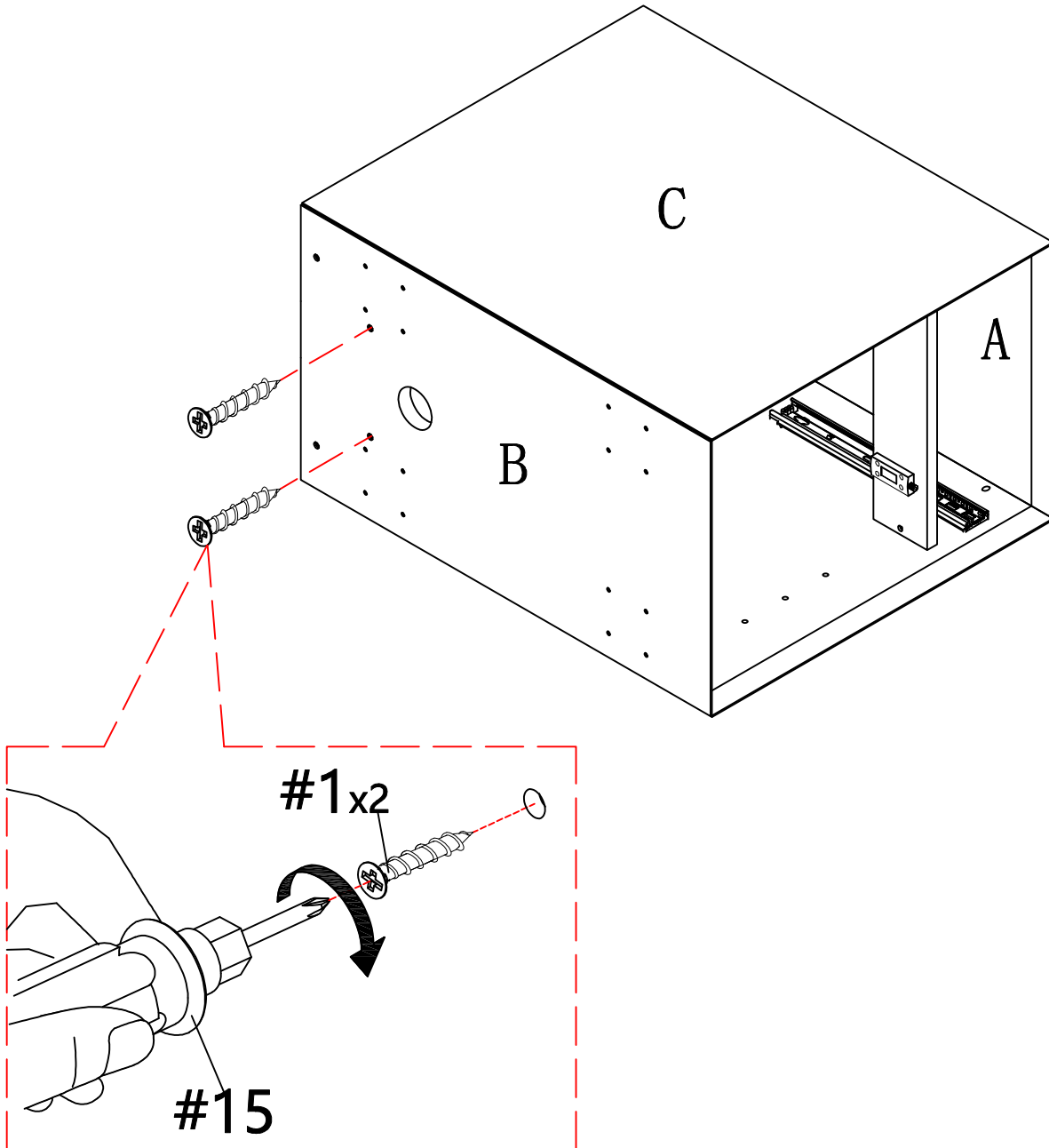


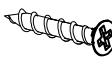
#14	x1
	
M4	

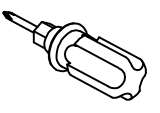
ASSEMBLY INSTRUCTIONS

STEP-8

1. Tight part (H) with part (B) with screw #1, tight screw with screwdriver #15.



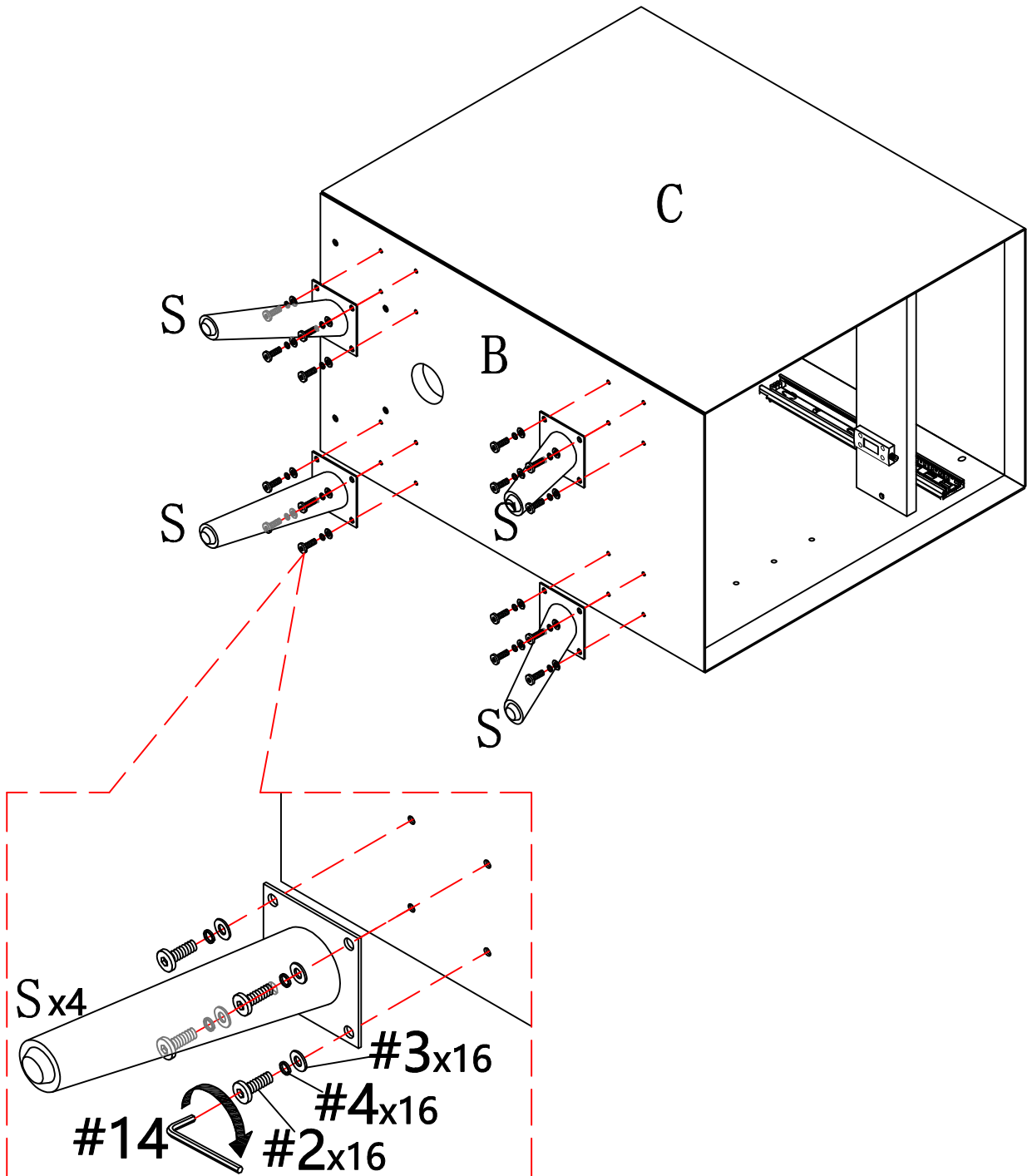
#1	x2
	
ø8#*1"	

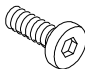



#15	x1
	

ASSEMBLY INSTRUCTIONS

STEP-9

1. connect part (S) to part (B) with bolt #2, flat washer #3 and spring washer #4, tight bolt with allen wrench #14.

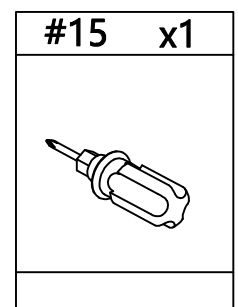
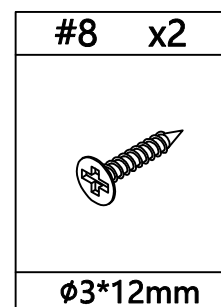
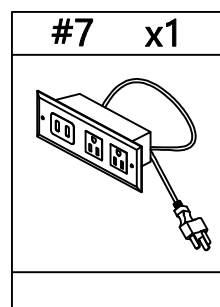
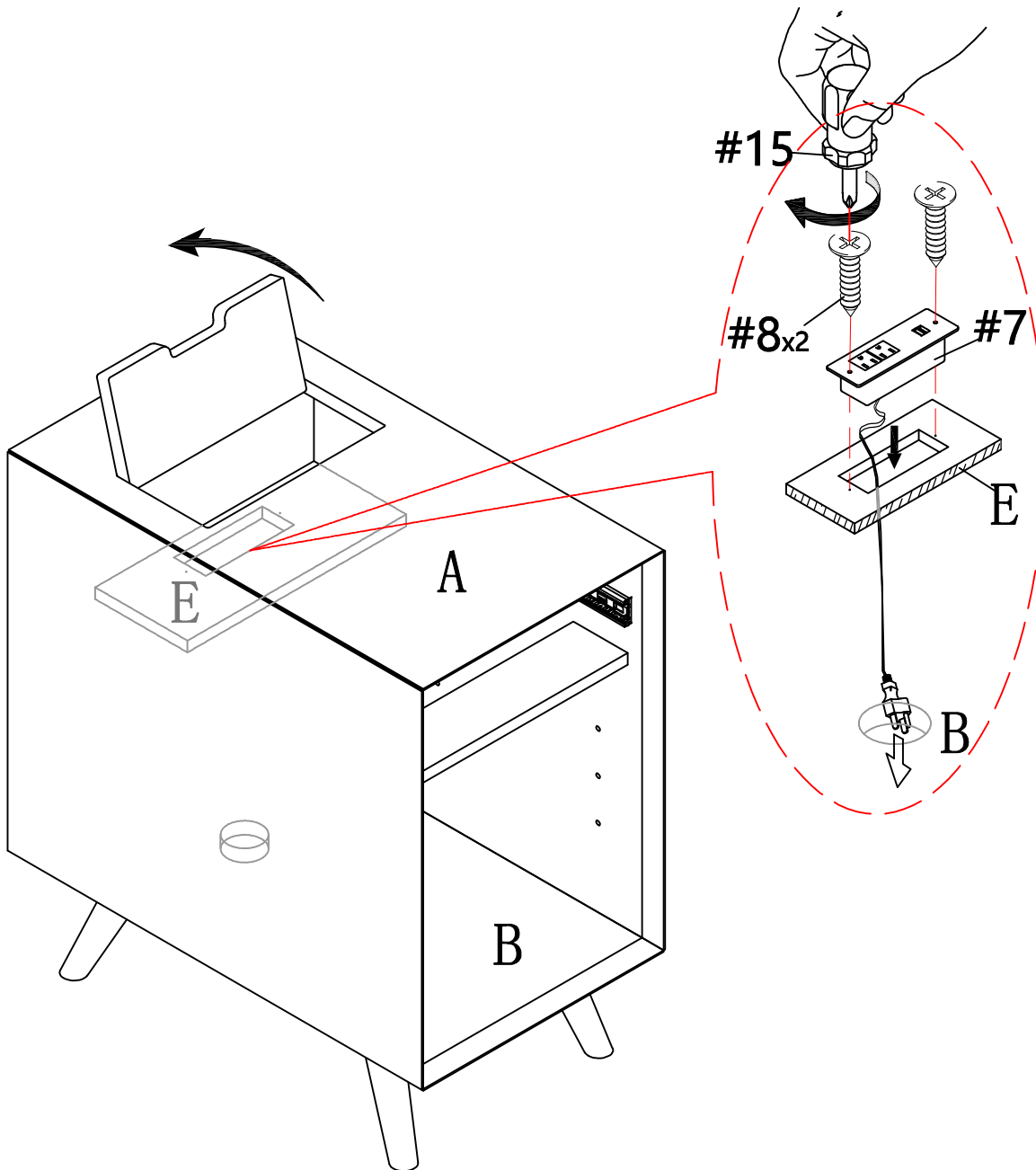


#2	x16	#3	x16	#4	x16	#14	x1
							
$\phi 1/4" \times 1/2"$		$\phi 1/4"$		$\phi 1/4"$		M4	

ASSEMBLY INSTRUCTIONS

STEP-10

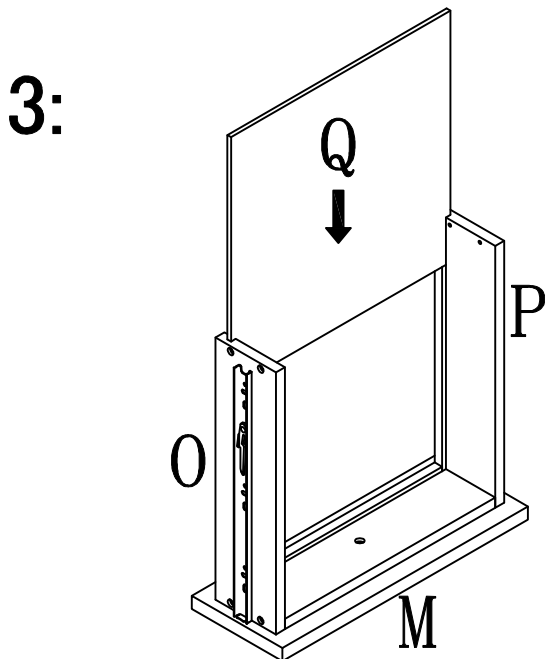
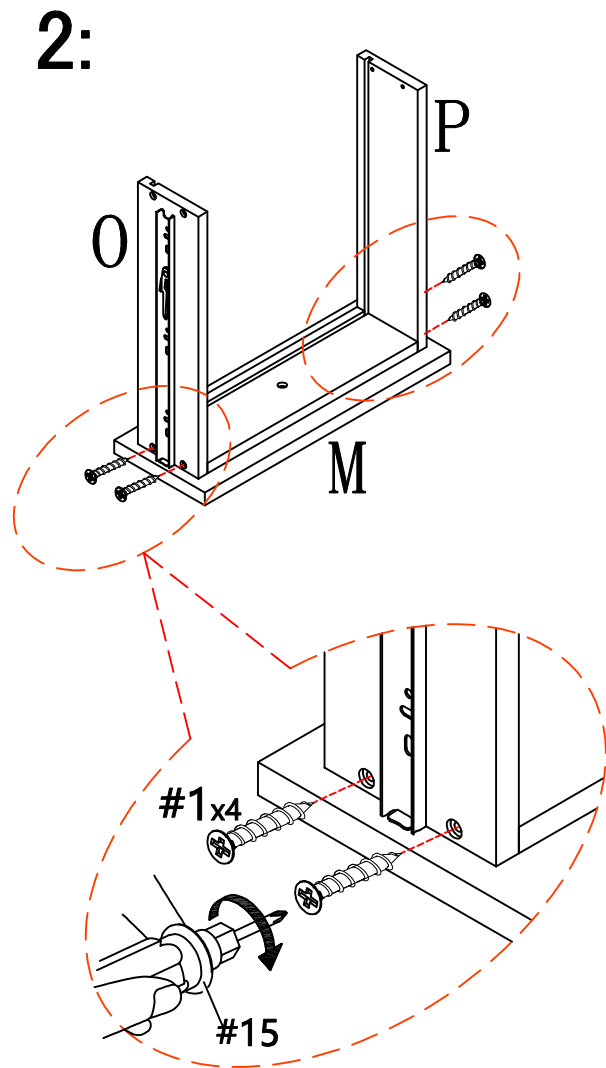
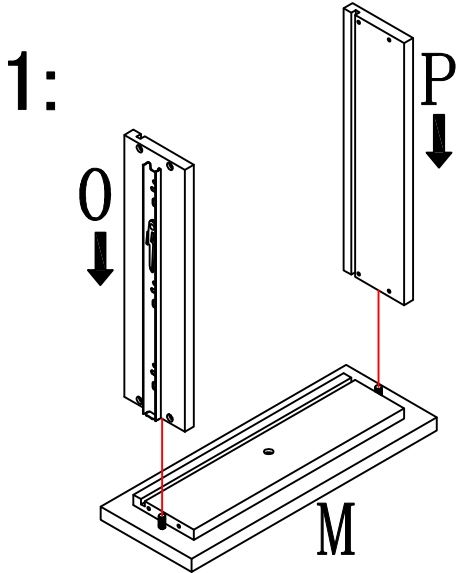
1. connect part #7 to part (E) with screw #8, tight screw with screwdriver #15.

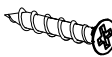


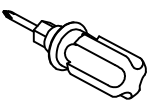
ASSEMBLY INSTRUCTIONS

STEP-11

1. connect part (O/P) to part (M) with screw #1, tight screw with screwdriver #15.
2. slide part (Q) to part (O/P), make sure it also in the groove of part (M).



#1	x4
	
ø8#*1"	

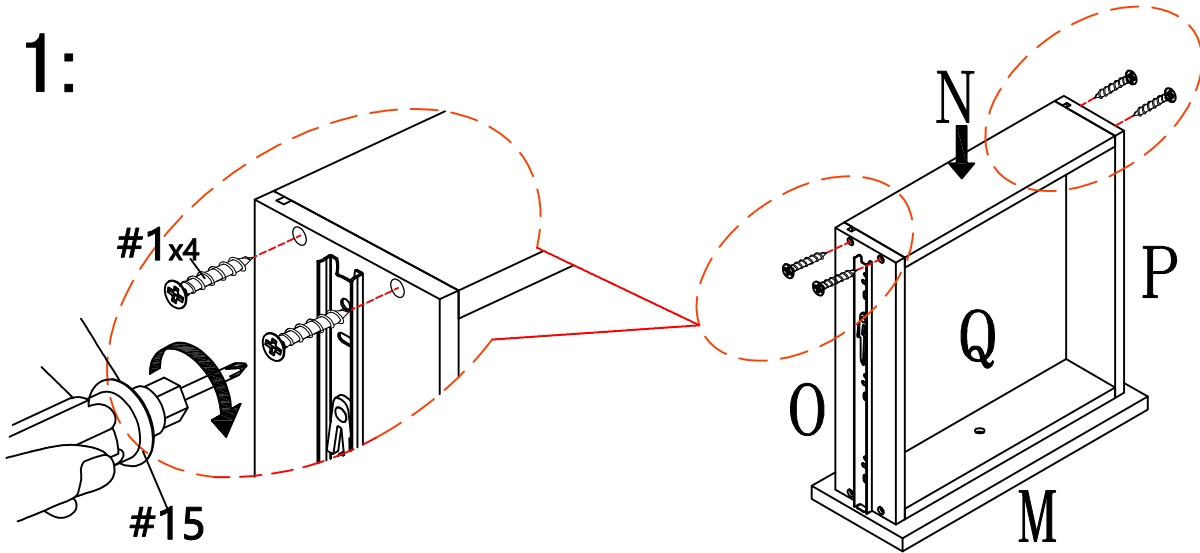
#15	x1
	

ASSEMBLY INSTRUCTIONS

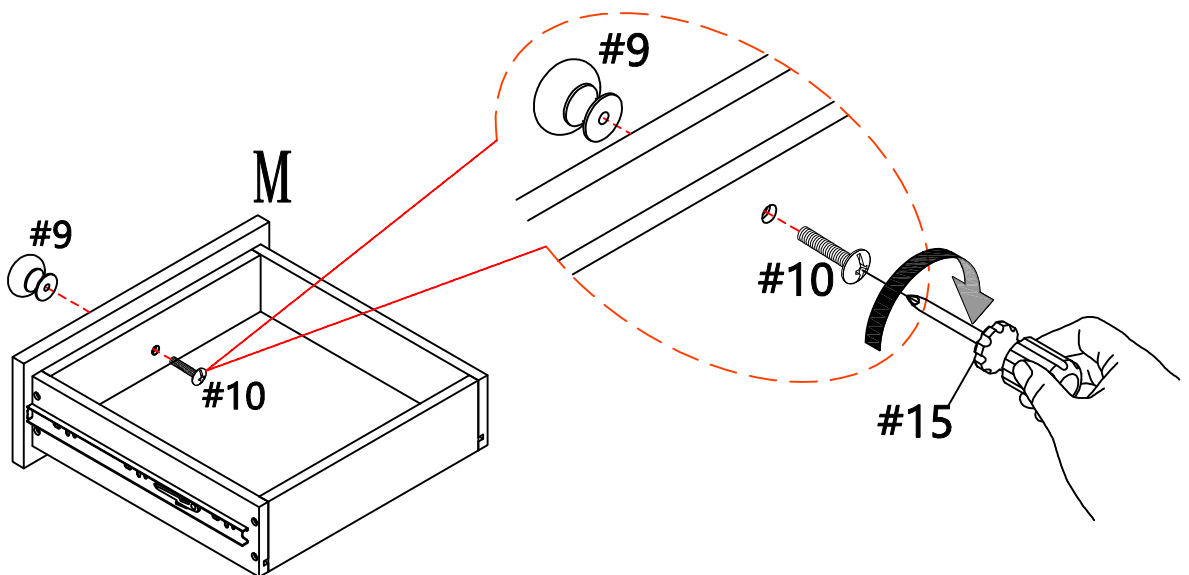
STEP-12

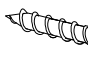


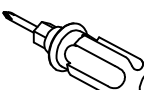
1. Connect part (N) to part (O/P) using screw #1 and tighten it with screwdriver #15.
2. Attach knob (#9) to drawer front left (M) with bolt (#10), Tight bolt with screwdriver (#15).

1:



2:

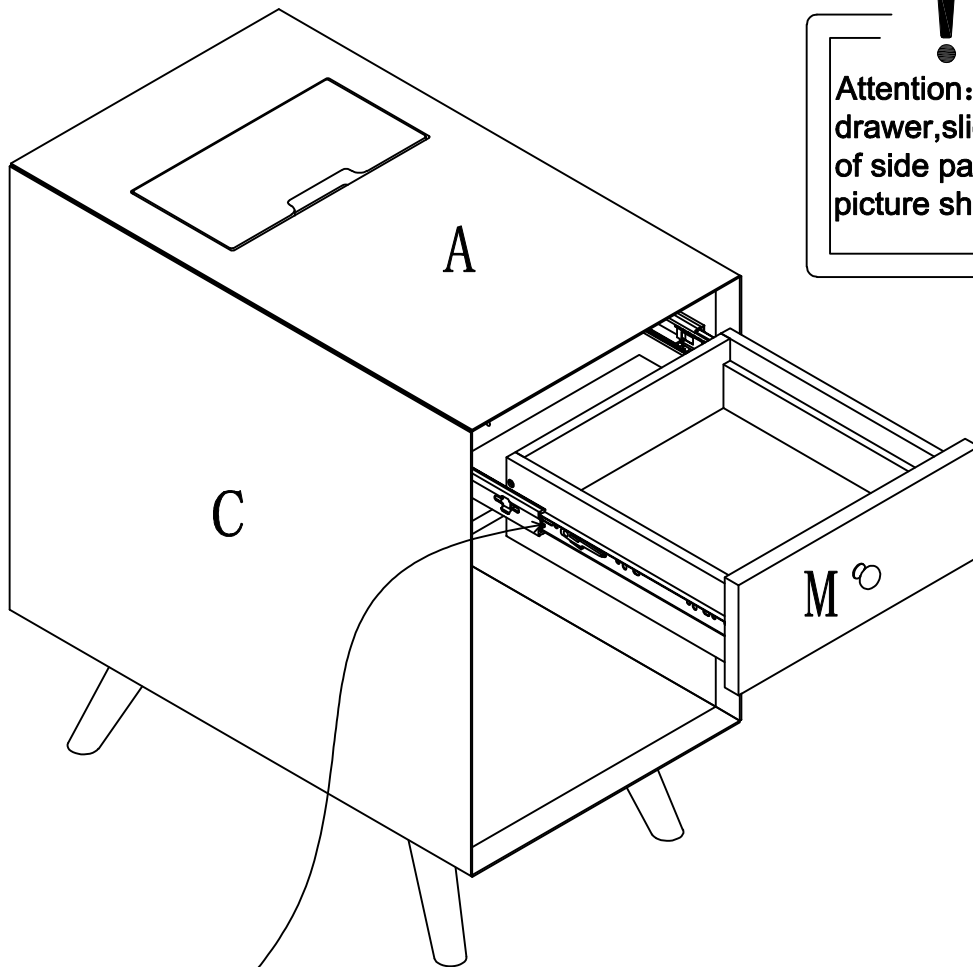


#1 x4	#9 x1	#10 x1	#15 x1
			
φ8#*1"		φ5/32"*1"	

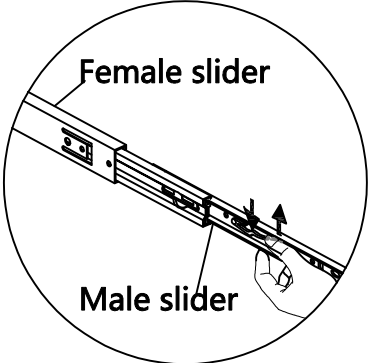
ASSEMBLY INSTRUCTIONS

STEP-13

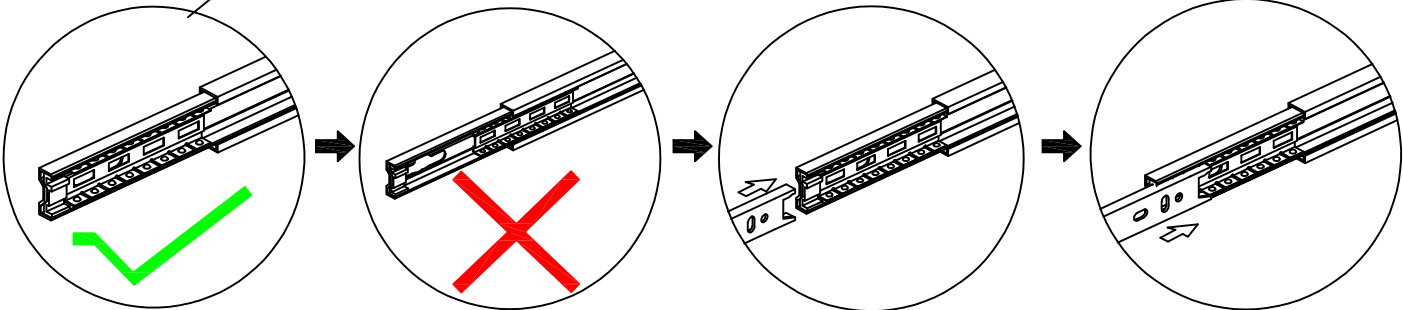
1.



Attention: When installing the drawer, slide the steel ball slide rail of side panel to the most front as picture show.



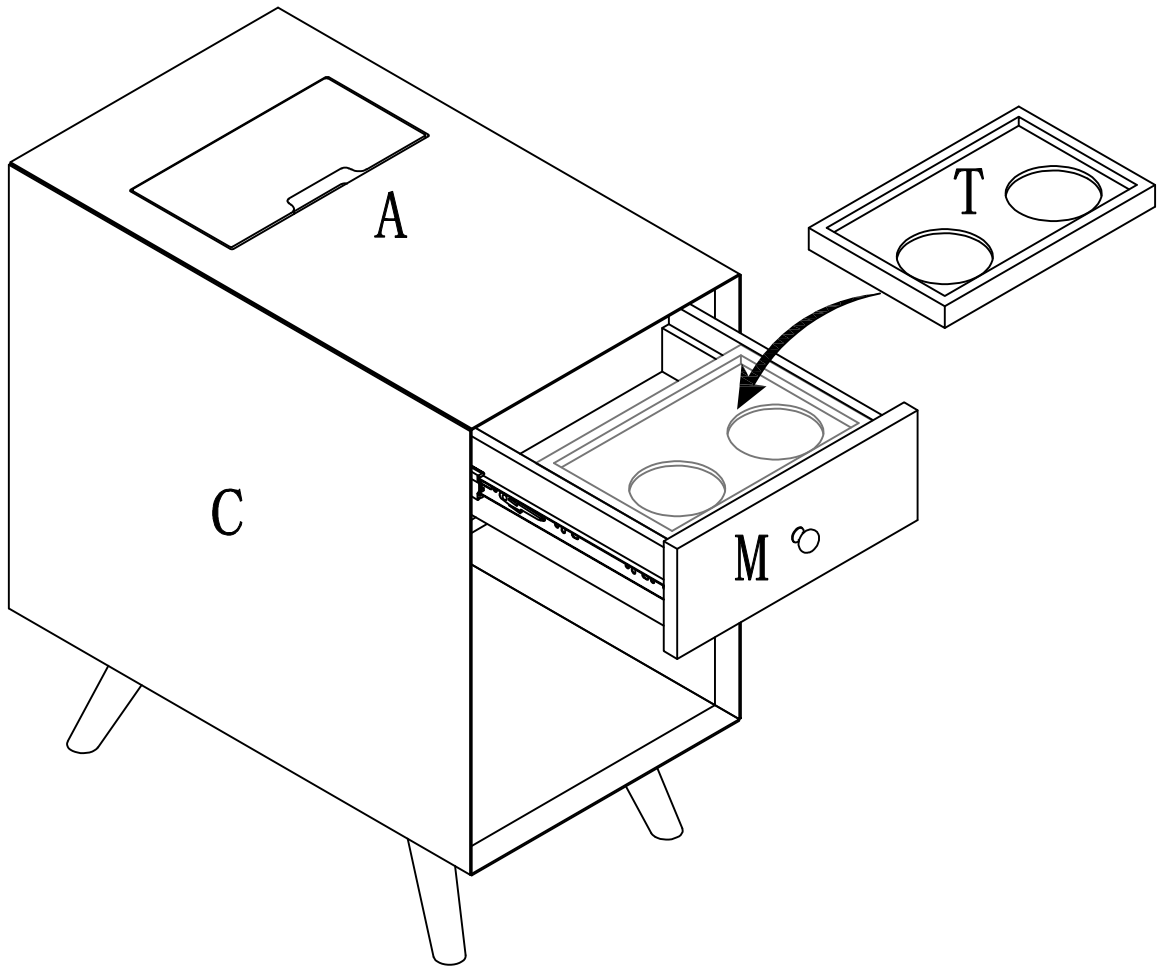
Schematic diagram of slide rail disassembly



ASSEMBLY INSTRUCTIONS

STEP-14

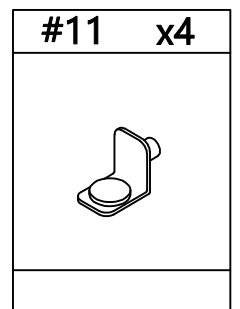
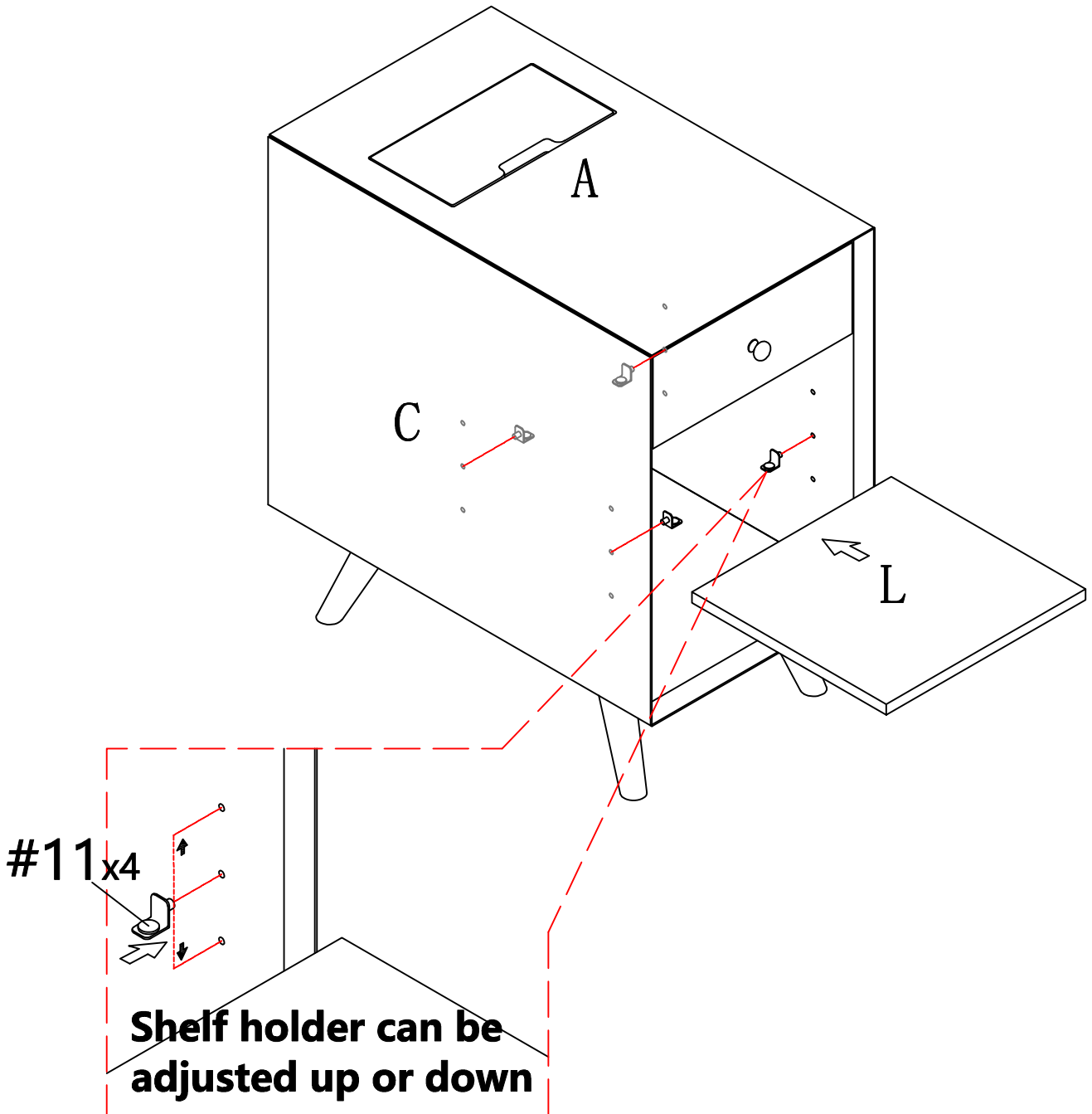
1.attach part (T) to drawer with hand.



ASSEMBLY INSTRUCTIONS

STEP-15

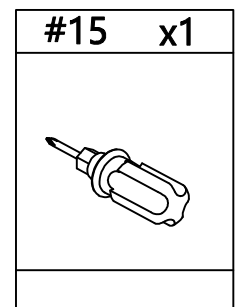
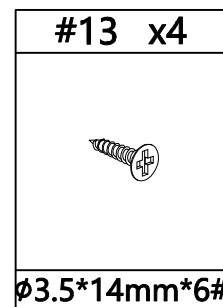
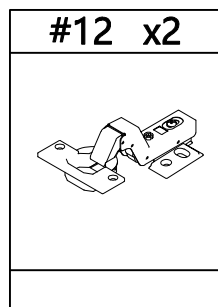
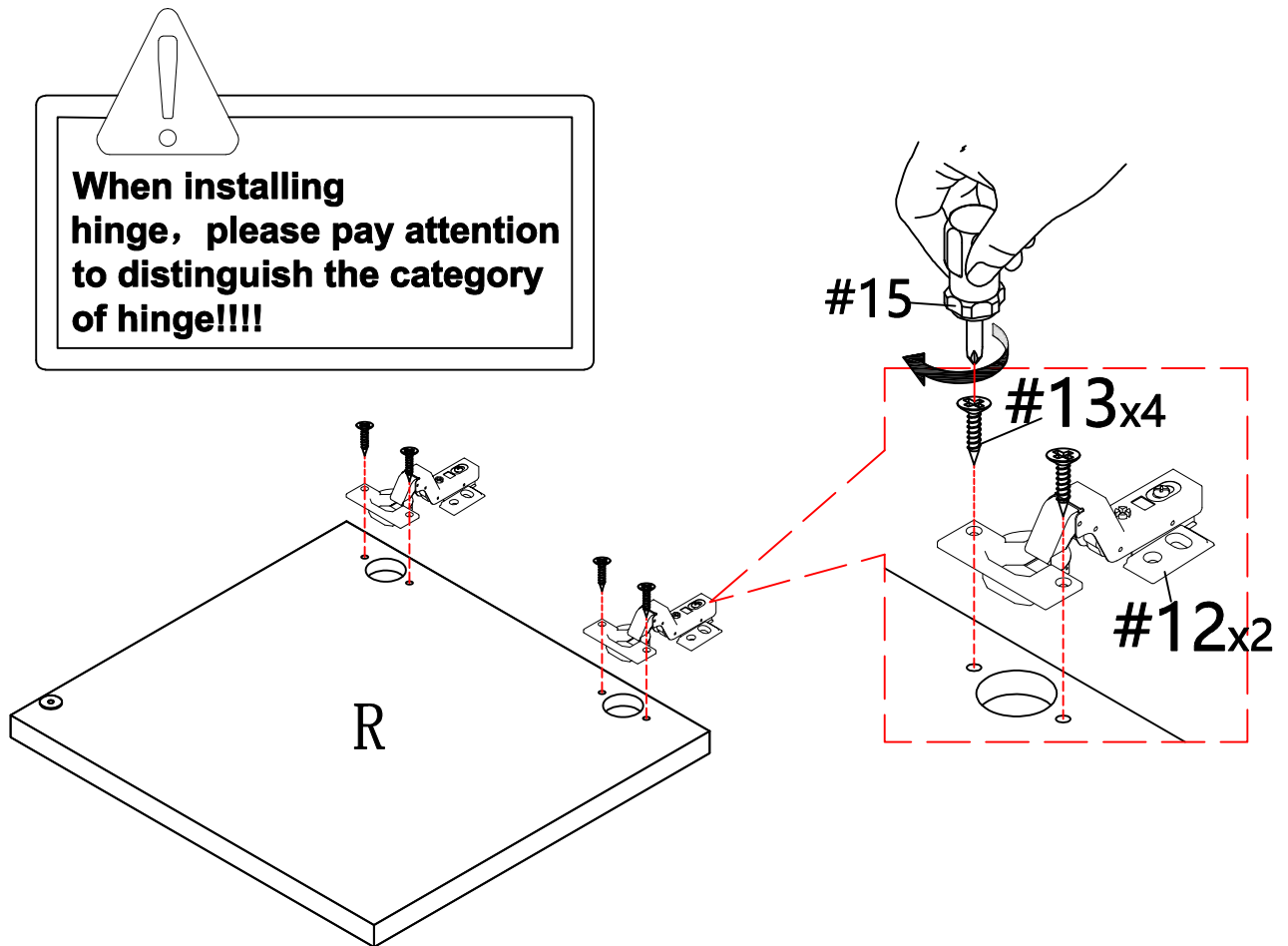
1.insert shelf holder #11 into the corresponding hole of panel (C/D) and then attach part (L) to it.



ASSEMBLY INSTRUCTIONS

STEP-16

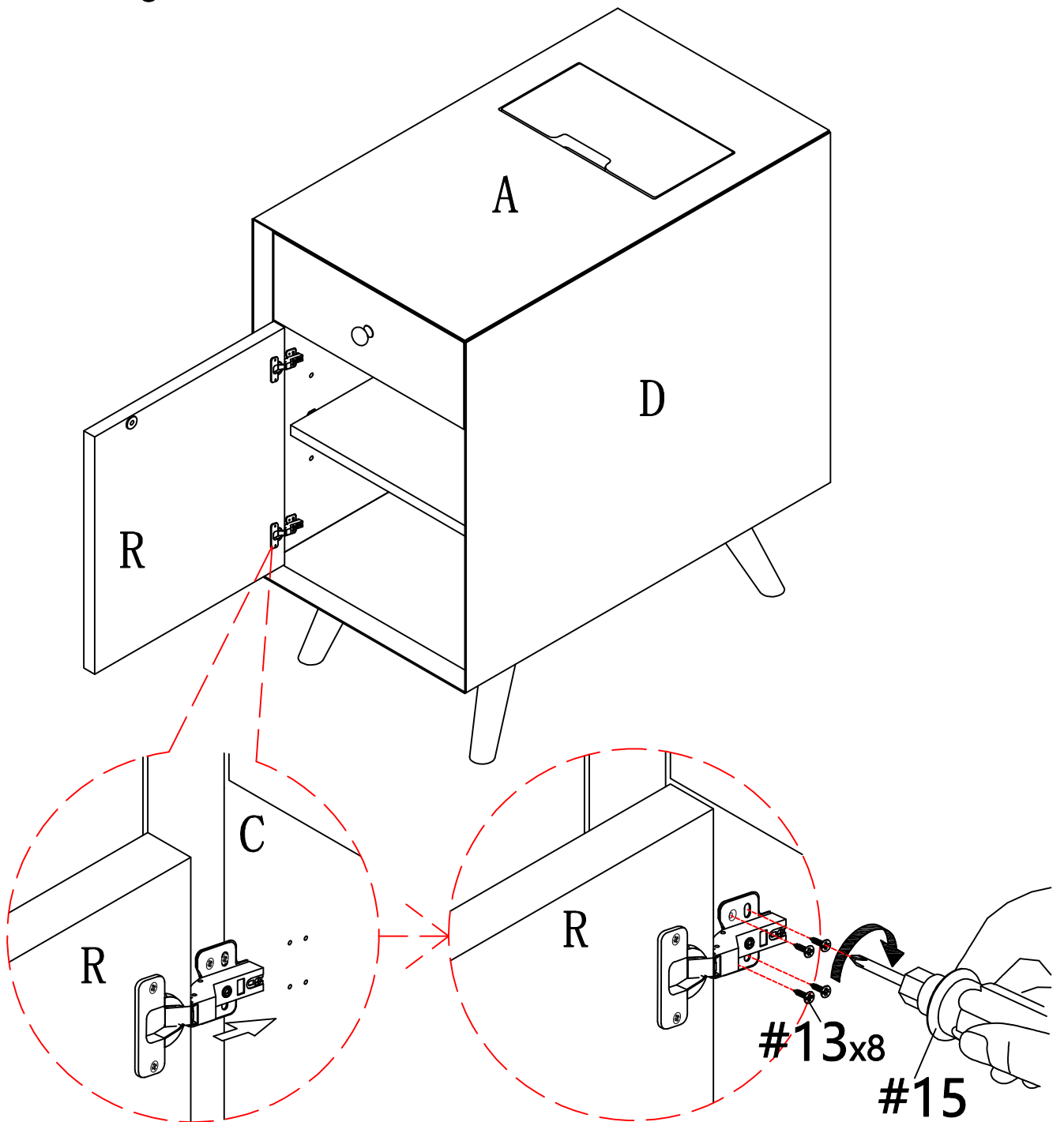
1. connect part #12 to part (R) with screw #13, tight screw with screwdriver #15.




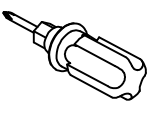
ASSEMBLY INSTRUCTIONS

STEP-17

1. connect the door (R) to the unit pre-assembled at step 15 with screw #13, tight screw with screwdriver #15.

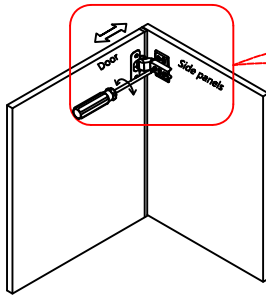


#13 x8

ø3.5*14mm*6#

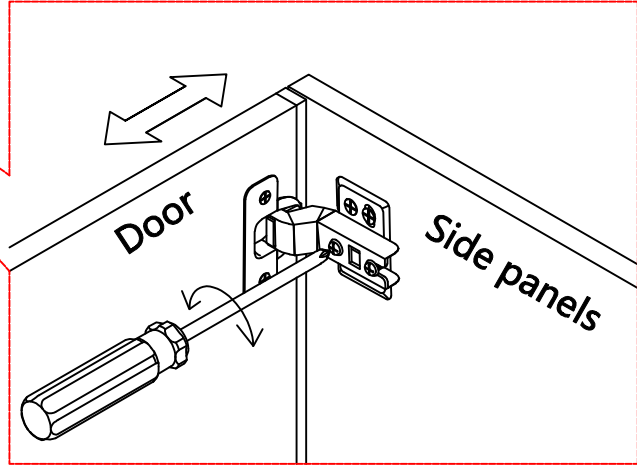
#15 x1


ASSEMBLY INSTRUCTIONS

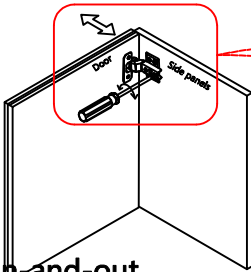
Concealed hinges are three-way adjustable:



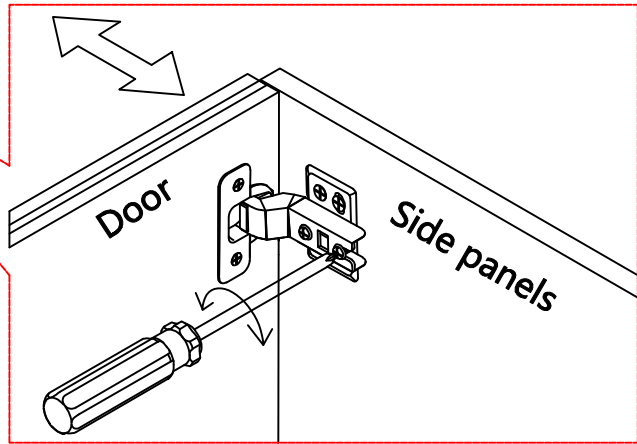
Horizontal
by screw adjustment!



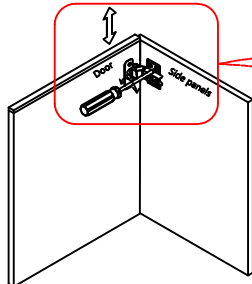
Concealed hinges are three-way adjustable:



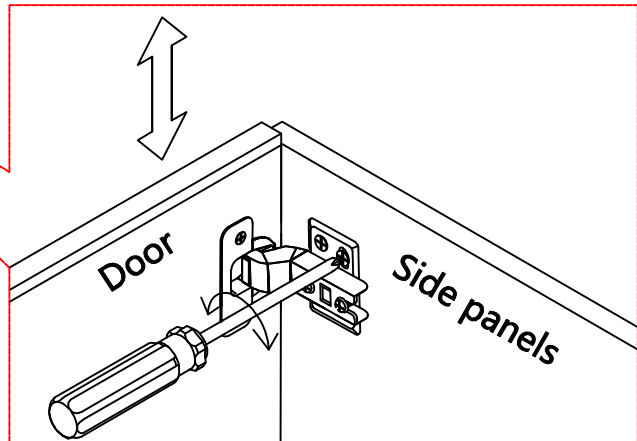
In-and-out
by loosening the hinge arm
mounting screw or via cam
adjustment!



Concealed hinges are three-way adjustable:



Vertical via slots in
the mounting plate
or via cam
adjustment!



Hinge adjustment method

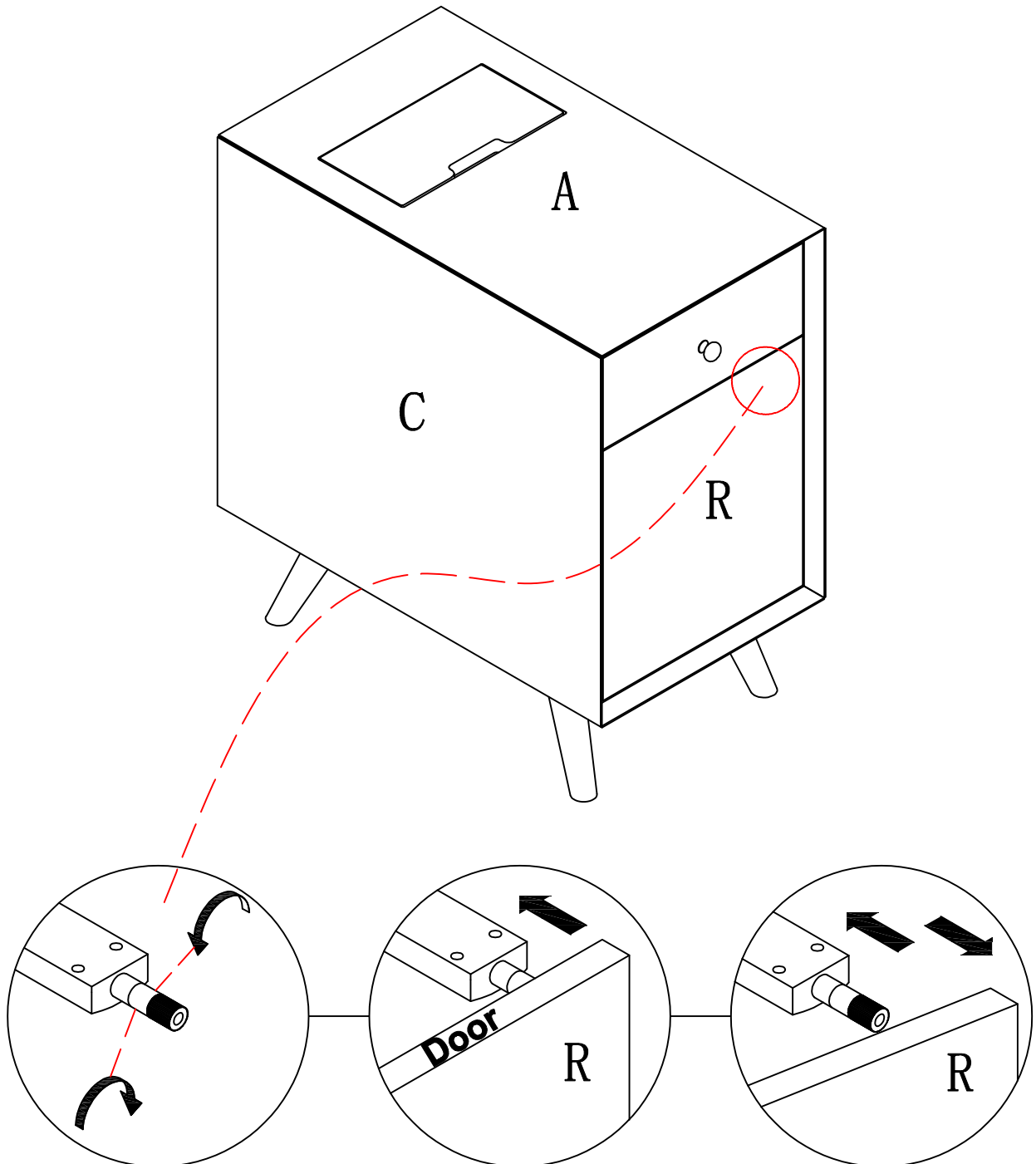


Video for door adjustment

ASSEMBLY INSTRUCTIONS

STEP-18

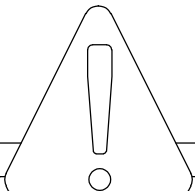
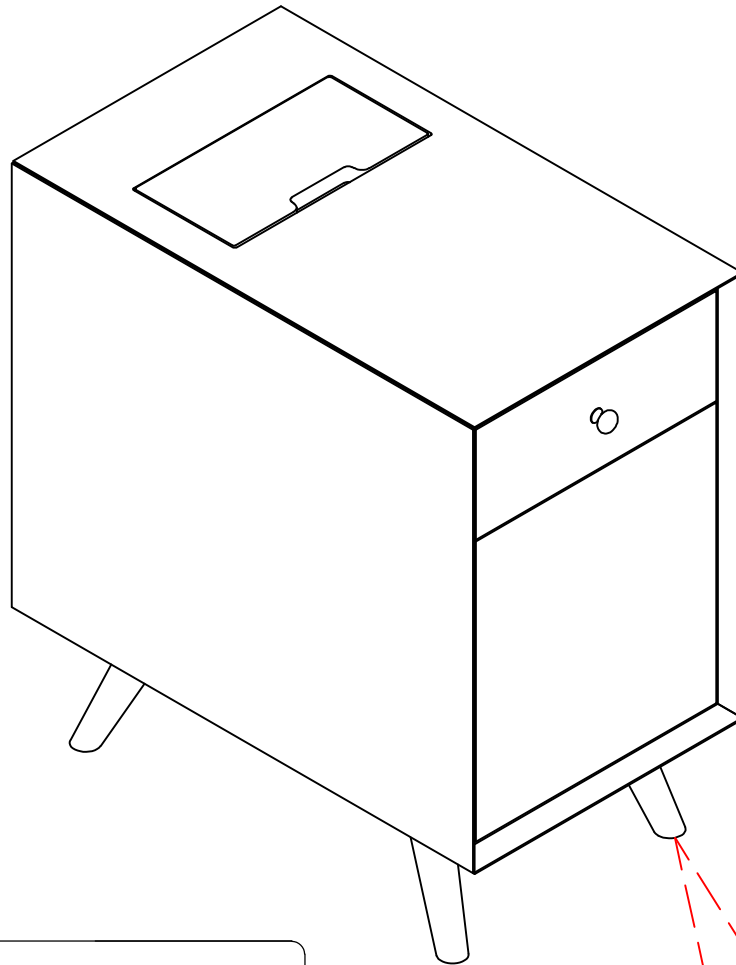
1.



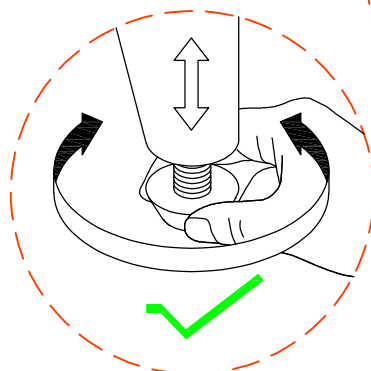
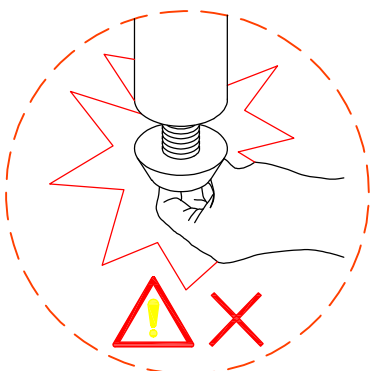
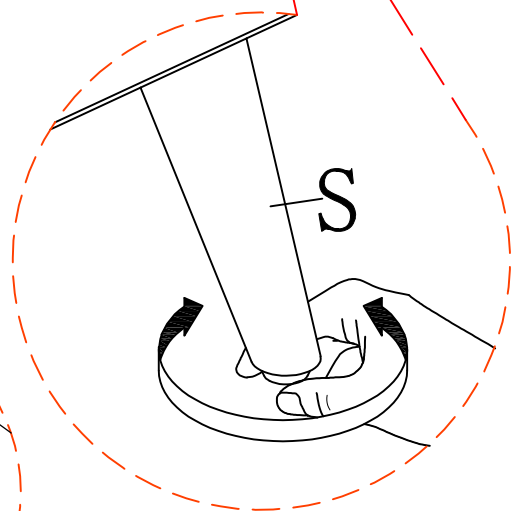
ASSEMBLY INSTRUCTIONS

STEP-19

1.



Attention:
Before the next step, adjust the feet of the locker to keep it level.



WARRANTY

1. We strive to offer high-quality products, and we also try our best to satisfy each and every customer that orders from us with product or service as needed.
2. We provide 30 days warranty starting from the time you receive the item. Each customer must provide a record of their order such as the order number, or item receipt for any items that are out of the warranty period you may also still receive.
3. Replacement parts by purchasing them with our company if they are available.