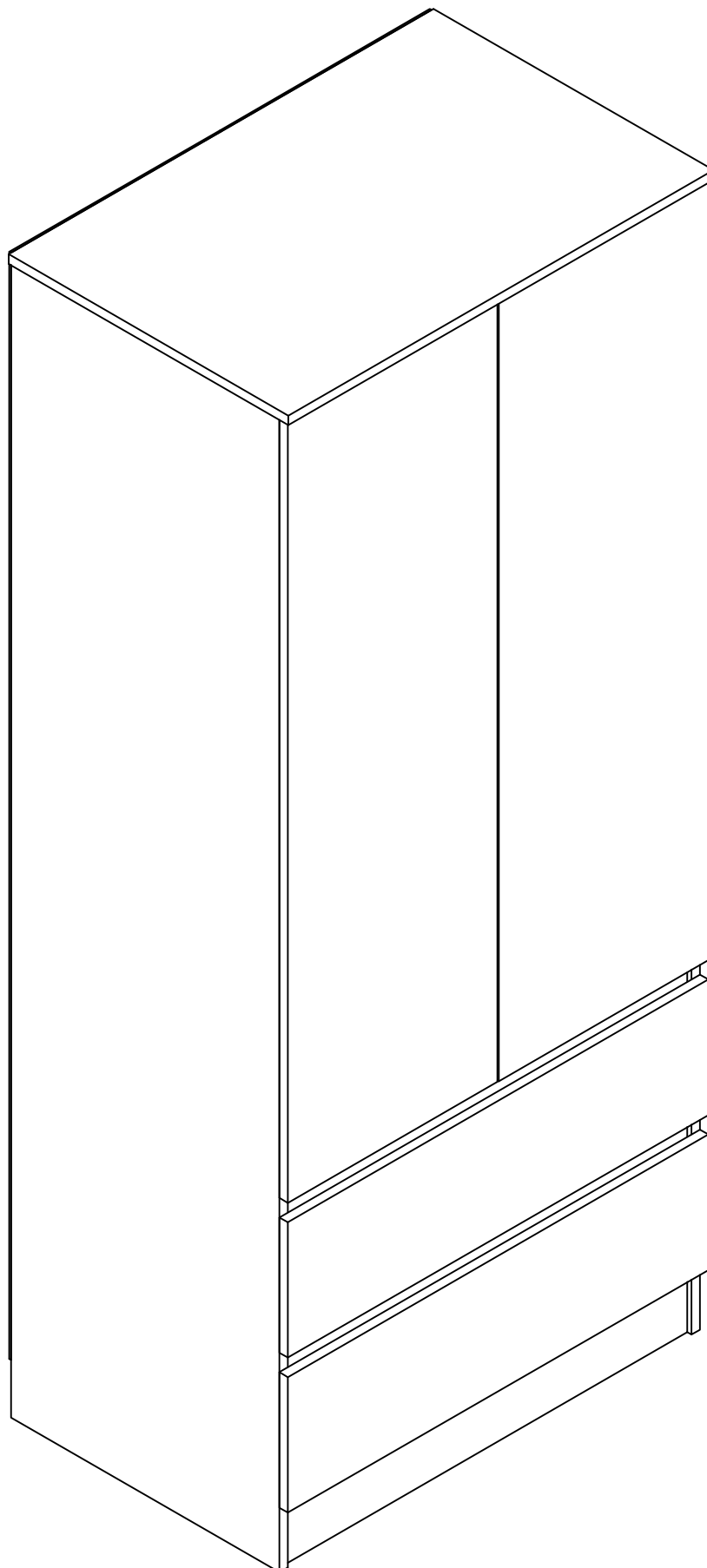


2 DOOR COMBI WARDROBE

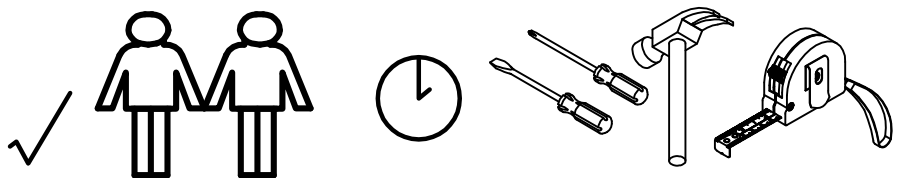
ASSEMBLY INSTRUCTION - Please Keep For Future Reference



Safety and Care Advice

IMPORTANT - Please Read This Instruction Carefully Before Assembly.

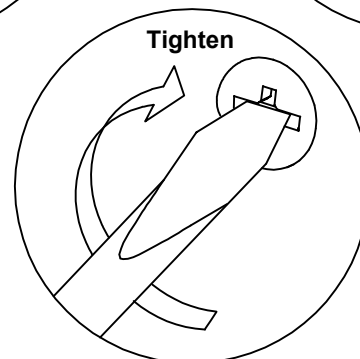
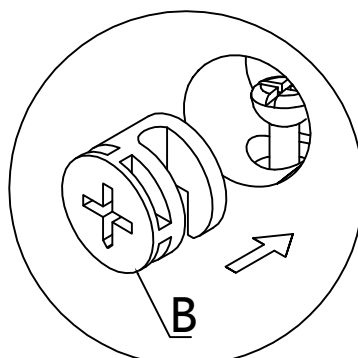
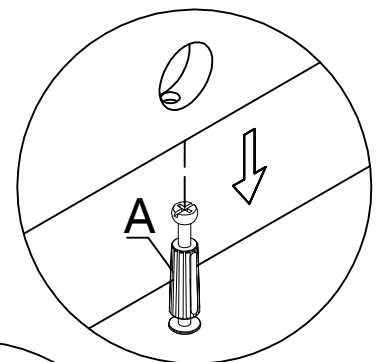
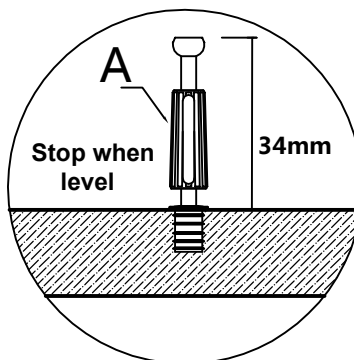
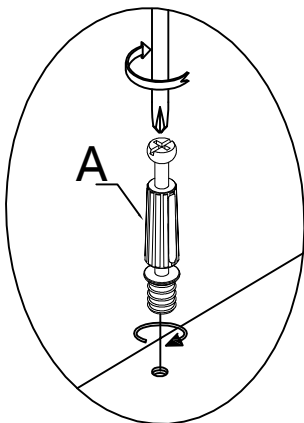
- Check you have all the components and tools listed on page 3.
- Do not stand or put weight on the product, this could cause damage.
- Do not use power drill/drivers for assembly, or the unit may be damaged.
- Remove all settings from the plastic bags and separate them into their groups.
- Assemble the item as close to its intended position (in the same room) as possible.
- Assemble on a soft level surface to avoid damaging the unit.
- Dispose of all packaging carefully and responsibly.
- Keep children and animals away from the work area, small parts could choke if swallowed.
- Parts of the assembly will be easier with 2 people.
- Make sure you have enough space to layout the parts before assembly.



CARE and MAINTENANCE

- Only clean using a damp cloth and mild detergent, do not use bleach or abrasive cleaners.
- From time to time check that there are no loose screws on this unit.
- This product should not be discarded with household waste. Take to your local authority waste disposal center.

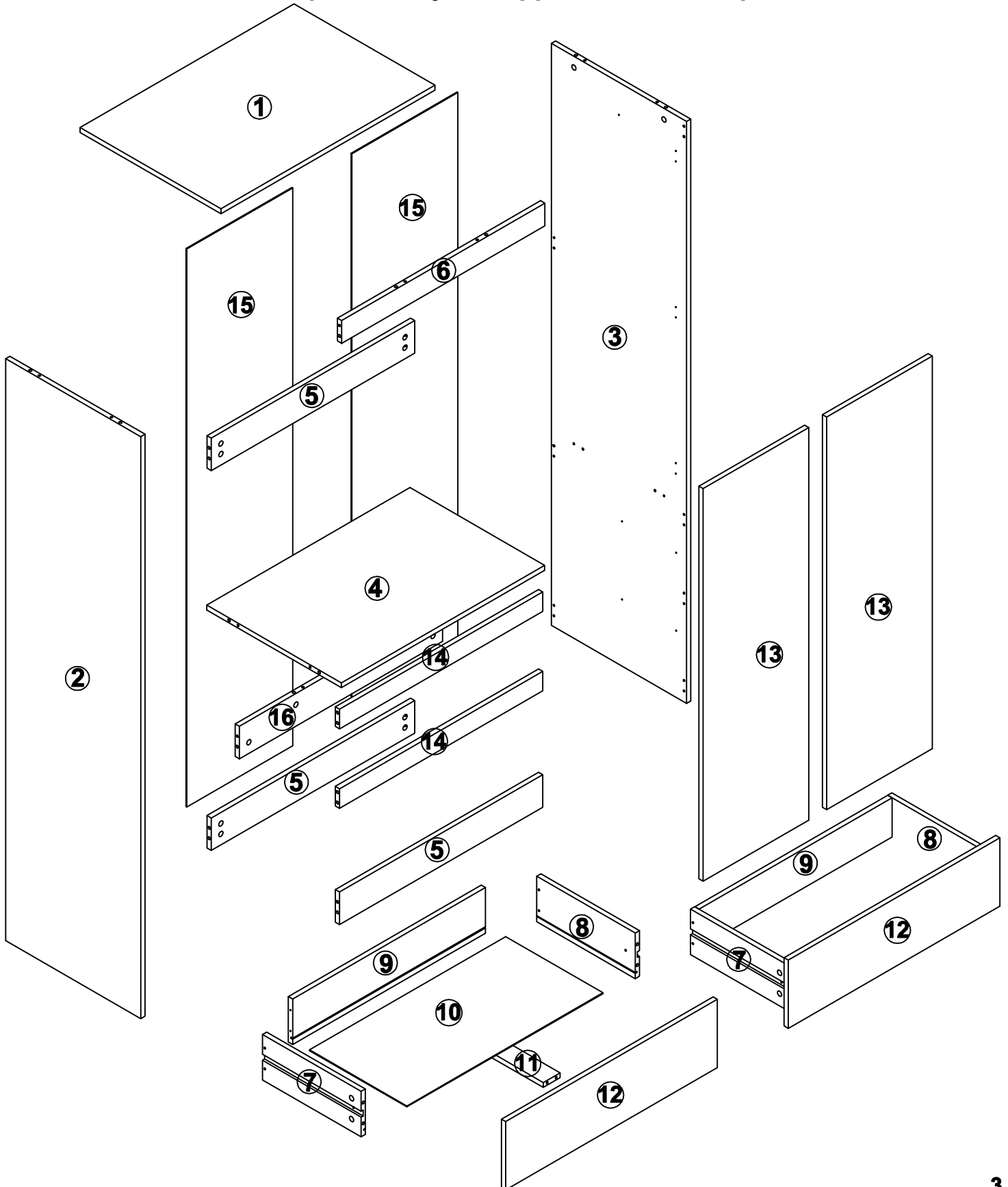
General Hints & Tips



Components and Tools

IMPORTANT - Please Check If You Have All The Components and Tools.

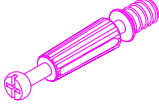
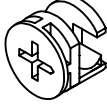
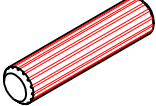


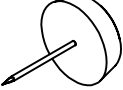
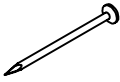
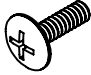
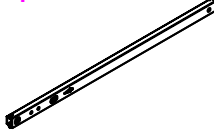

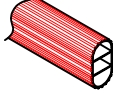
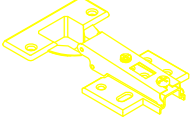
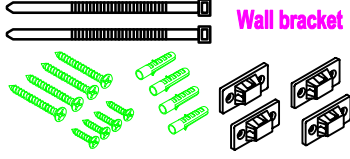
Note: The quantities below are the correct amount to complete the assembly. In some cases more pieces may be supplied than are required.



Components and Tools

IMPORTANT - Please Check If You Have All The Components and Tools.

Note: The quantities below are the correct amount to complete the assembly. In some cases more pieces may be supplied than are required.

<p>A=44</p>  <p>Peg M6*34mm</p>	<p>B=44</p>  <p>Lock M15*12mm</p>	<p>C=24</p>  <p>Dowel M8*30mm</p>	<p>D=54</p>  <p>Screw M3.5*14mm</p>	<p>E=8</p>  <p>Screw M4*38</p>	<p>F=4</p>  <p>Plastic Feet</p>
<p>G=22</p>  <p>Pin</p>	<p>H=4</p>  <p>Screw M4*12mm</p>	<p>I=4</p>  <p>Drawer Runner</p>	<p>J=2</p>  <p>Clothes Holder</p>	<p>K=1</p>  <p>Clothes Bar 716mm</p>	<p>L=6</p>  <p>Full Overlay</p>
<p>P=1</p>  <p>Wall bracket</p>					

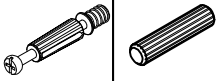
1OF2 ②, ③, ⑦ X2, ⑧ X2, ⑩ X2, ⑪ X2, ⑫ X2, ⑬ X2, ⑮ X2.

2OF2 ①, ④, ⑤ X3, ⑥, ⑨ X2, ⑭ X2, ⑯, FITTING KIT

Assembly Instruction

Step 1

A=14 C=2



Peg Dowel

D=5 J=1

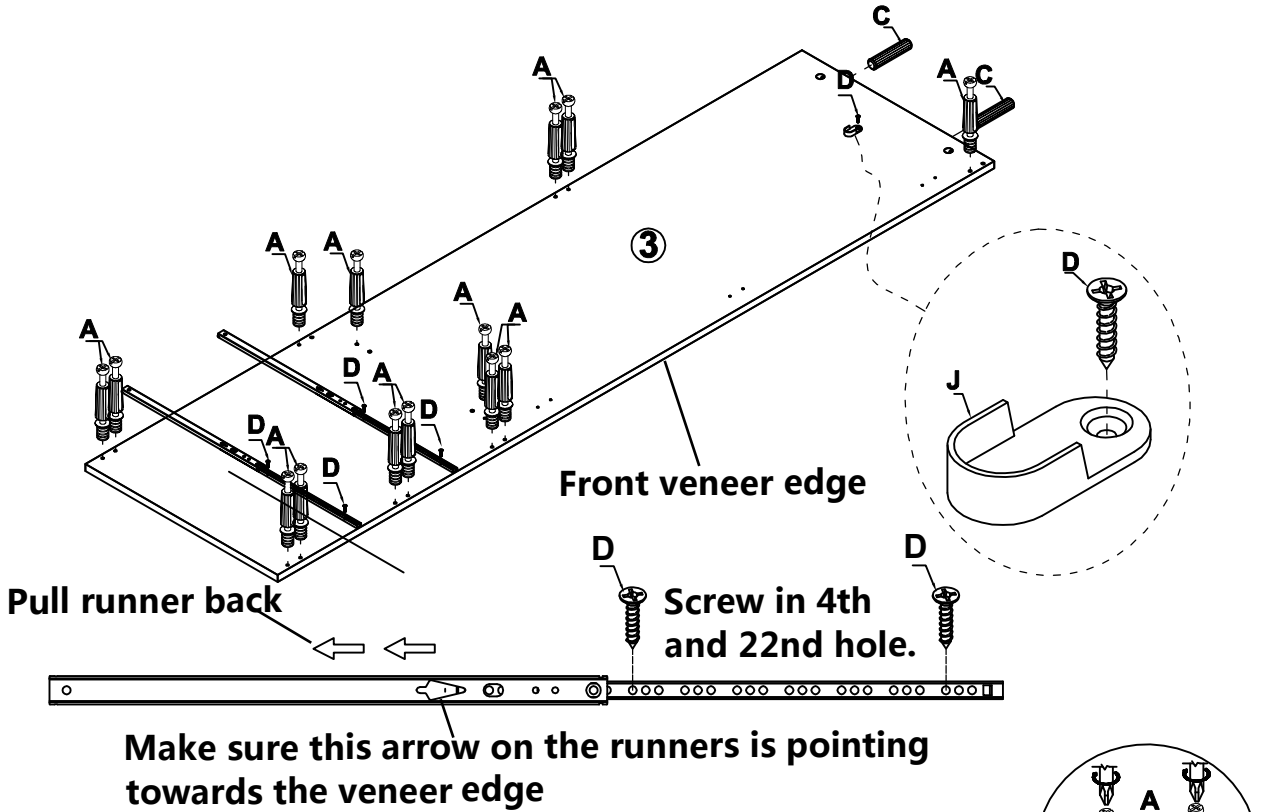


Screw Clothes Holder

I=2

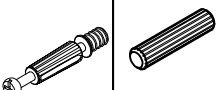


Drawer Runner



Step 2

A=14 C=2



Peg Dowel

D=5 J=1

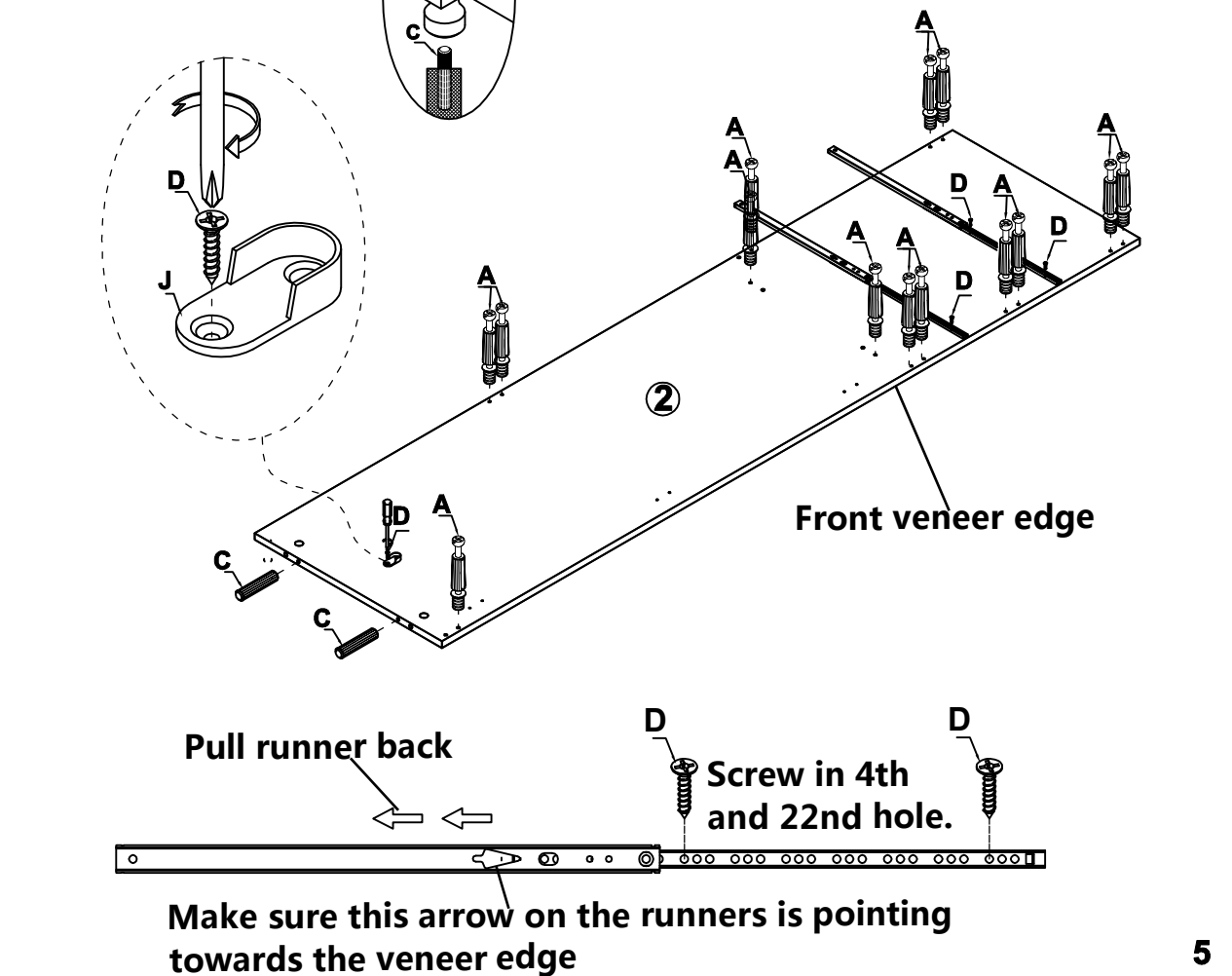


Screw Clothes Holder

I=2



Drawer Runner

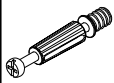


Assembly Instruction

Step 3

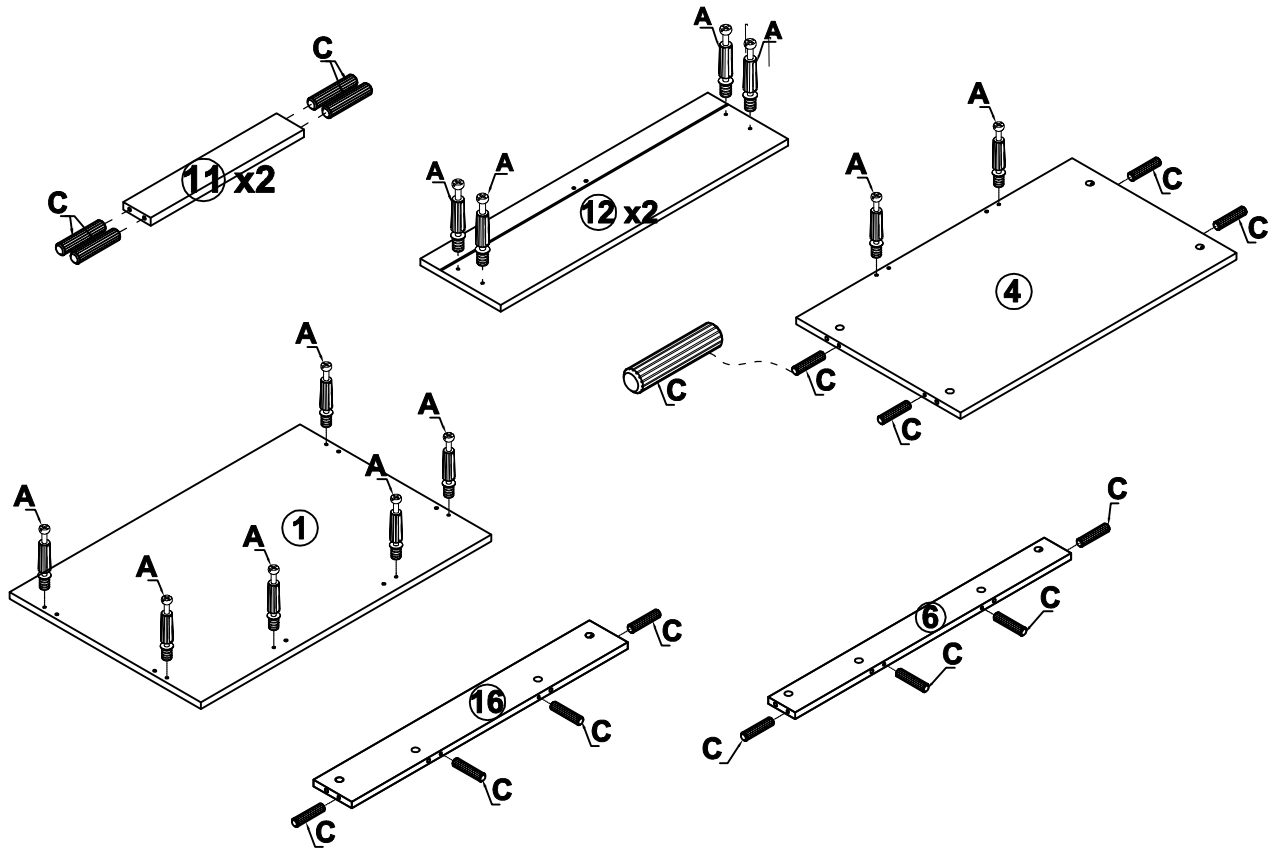
A=16

C=20



Peg

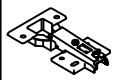
Dowel



Step 4

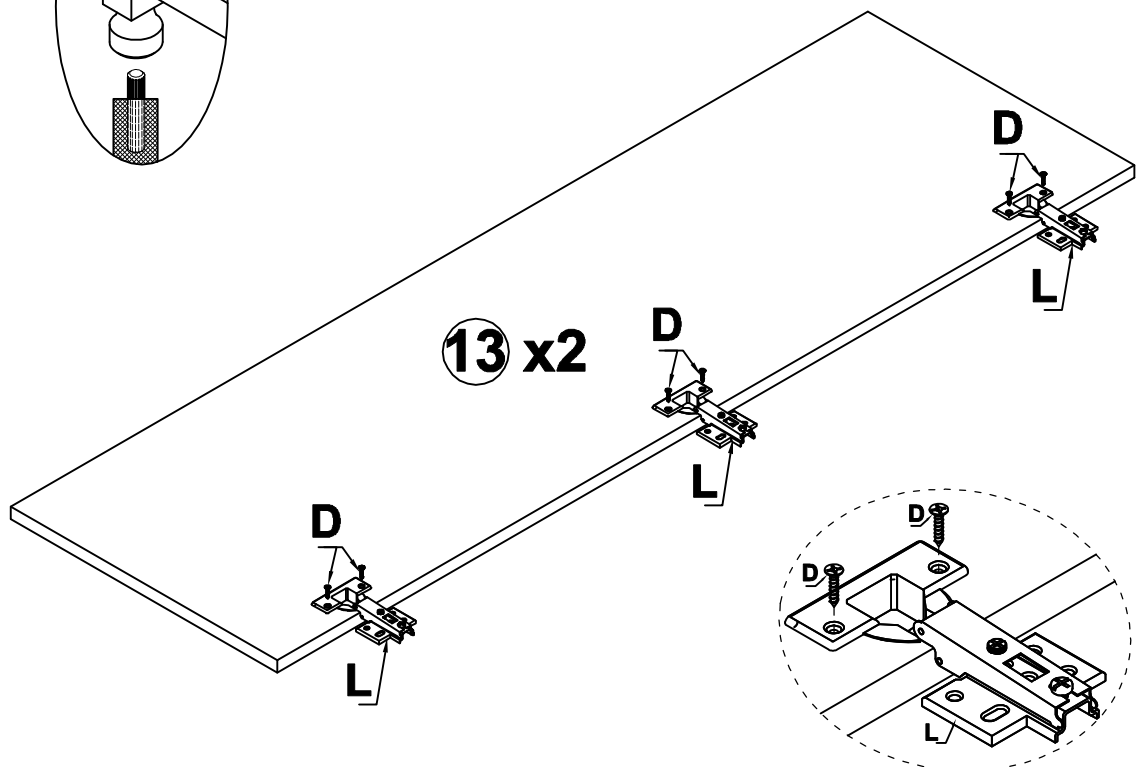
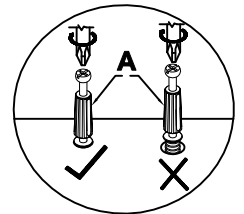
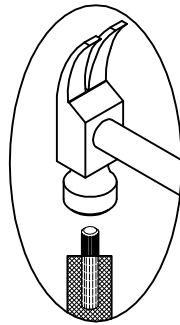
L=6

D=12



Door Hinge

Screw M3.5*14mm



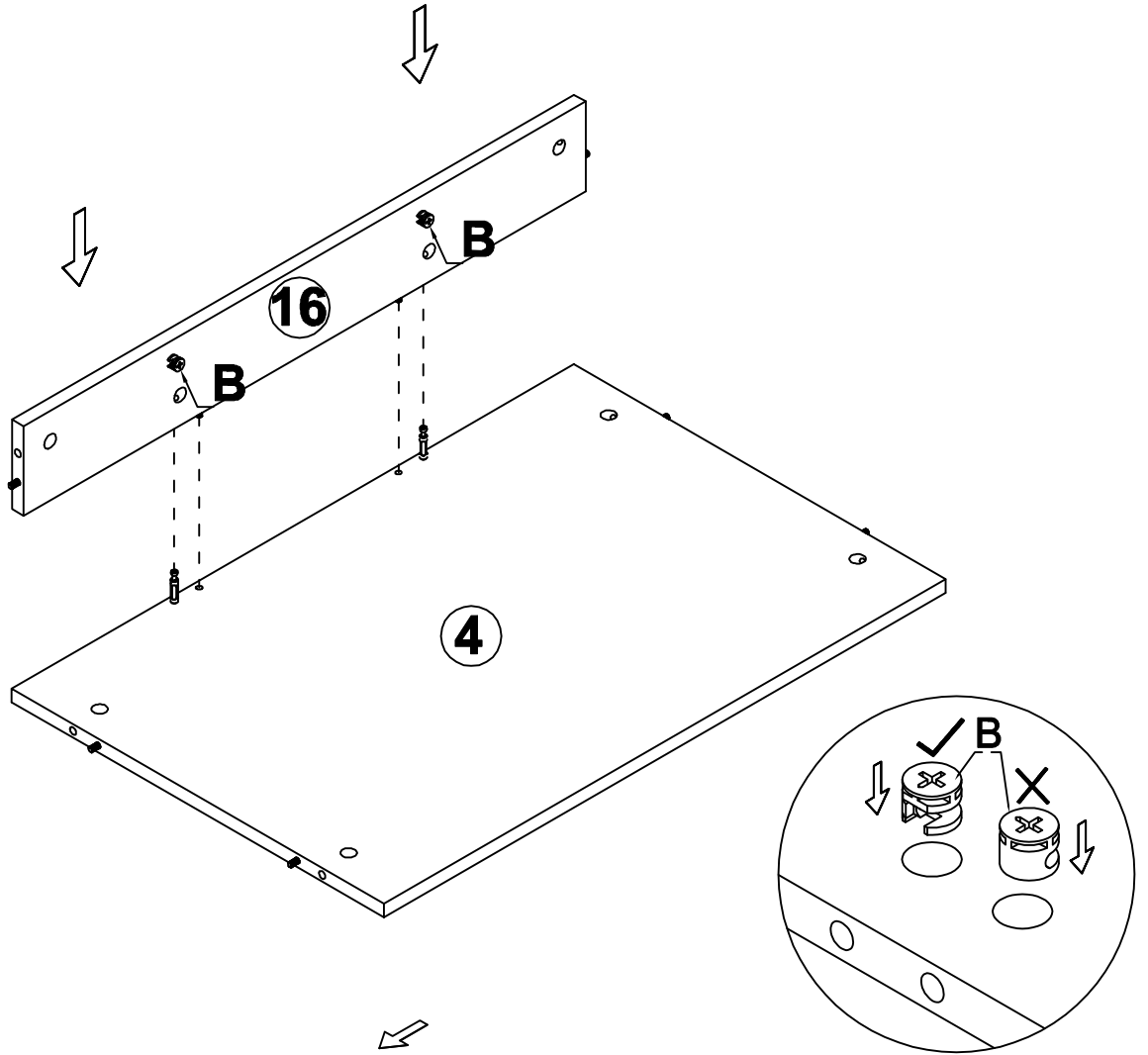
Assembly Instruction

Step 5

B=2



Lock

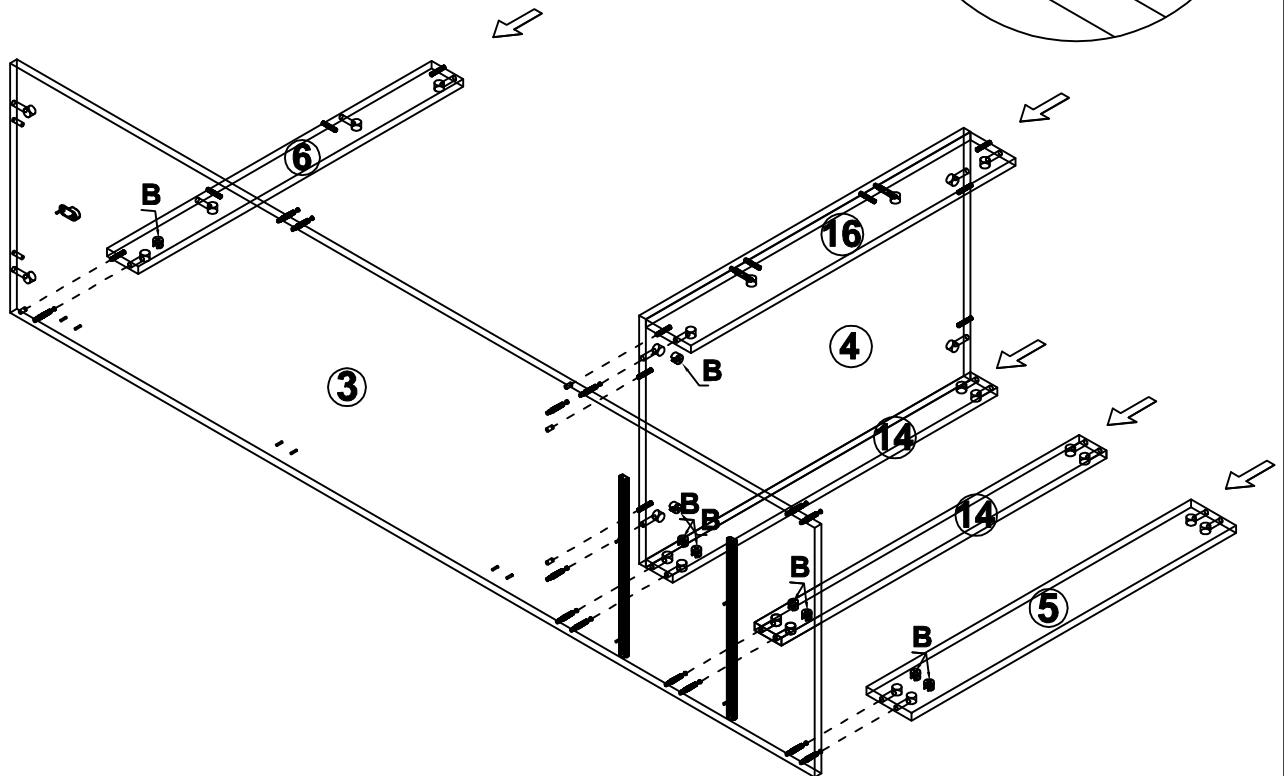


Step 6

B=10



Lock



DO NOT LIFT THE
WARDROBE UNTIL THE BACK
HAS BEEN FITTED

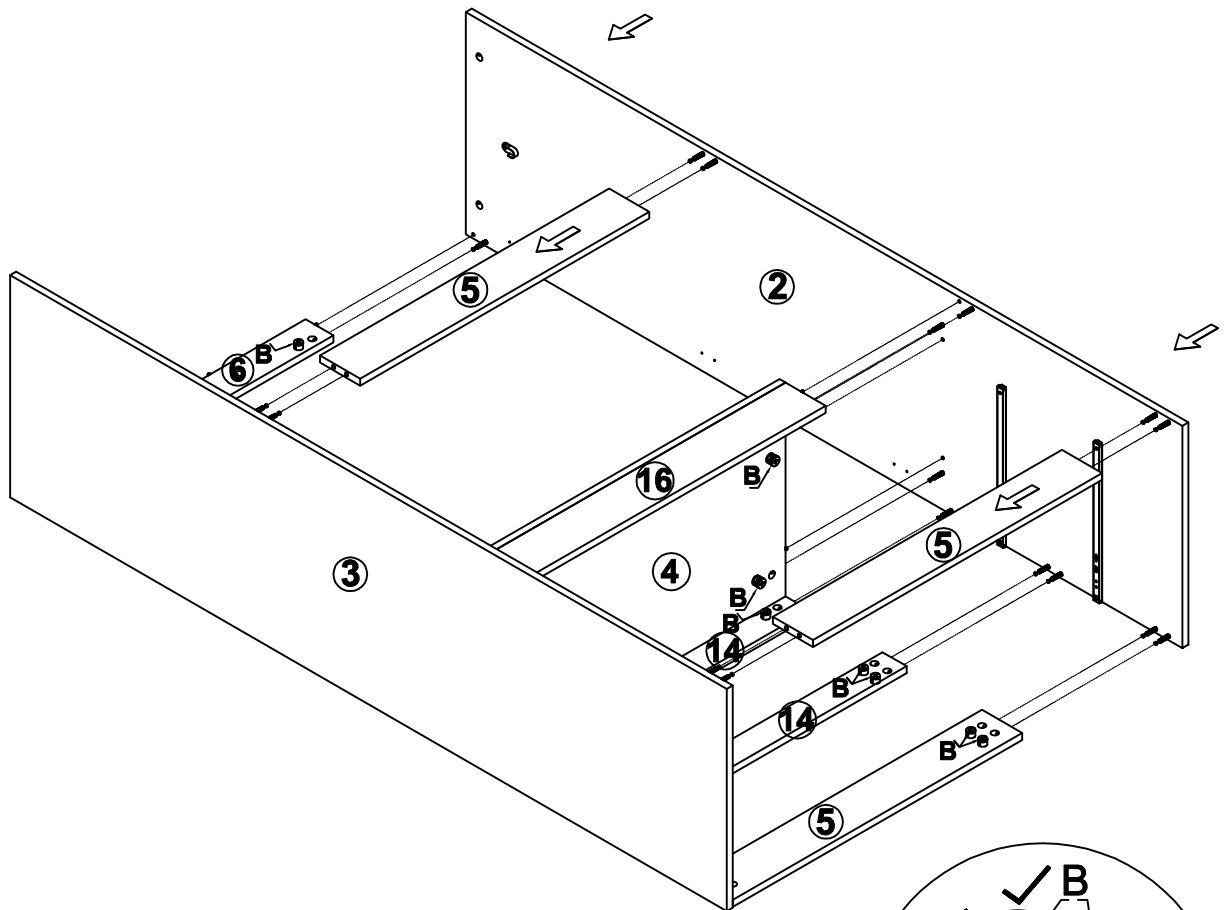
Assembly Instruction

Step 7

B=18



Lock

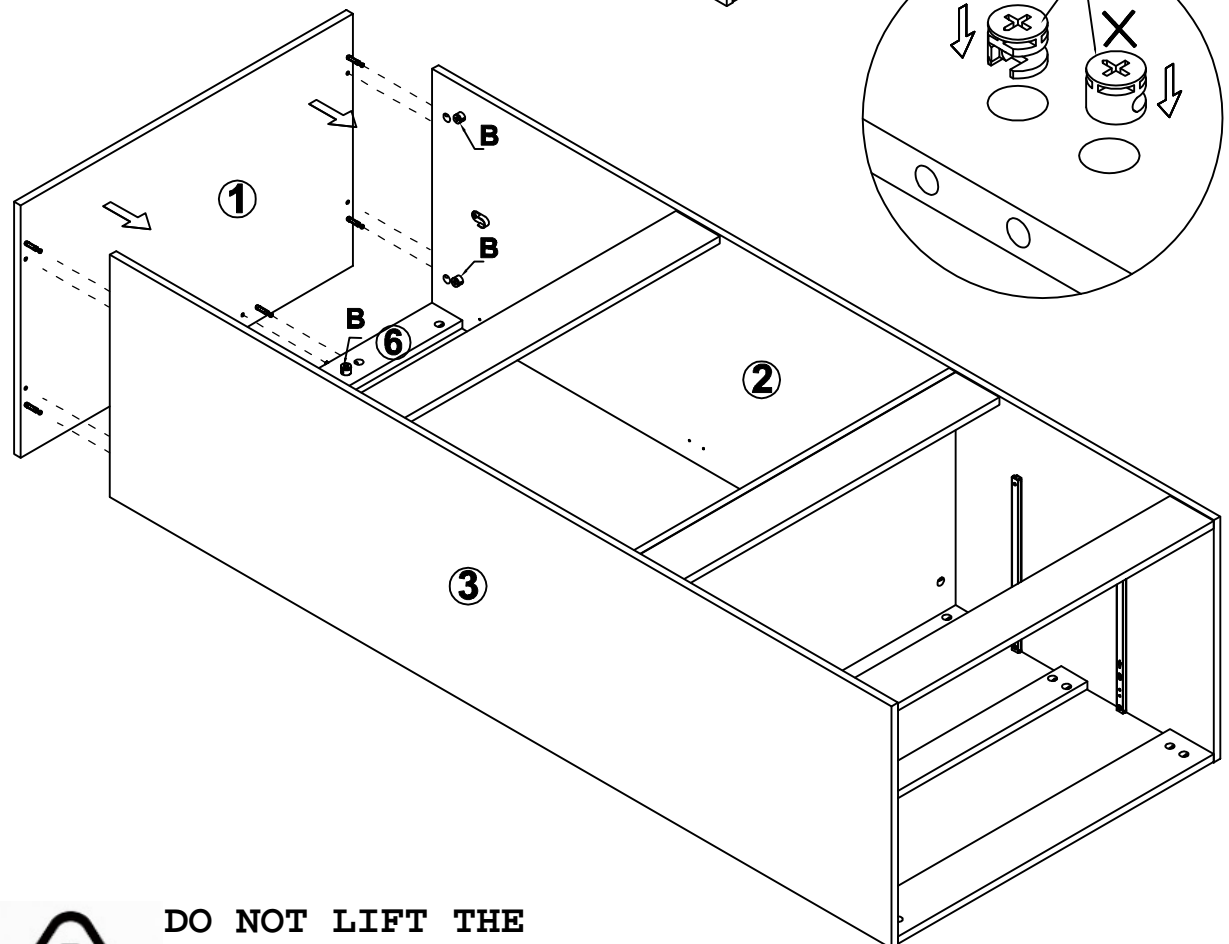


Step 8

B=6



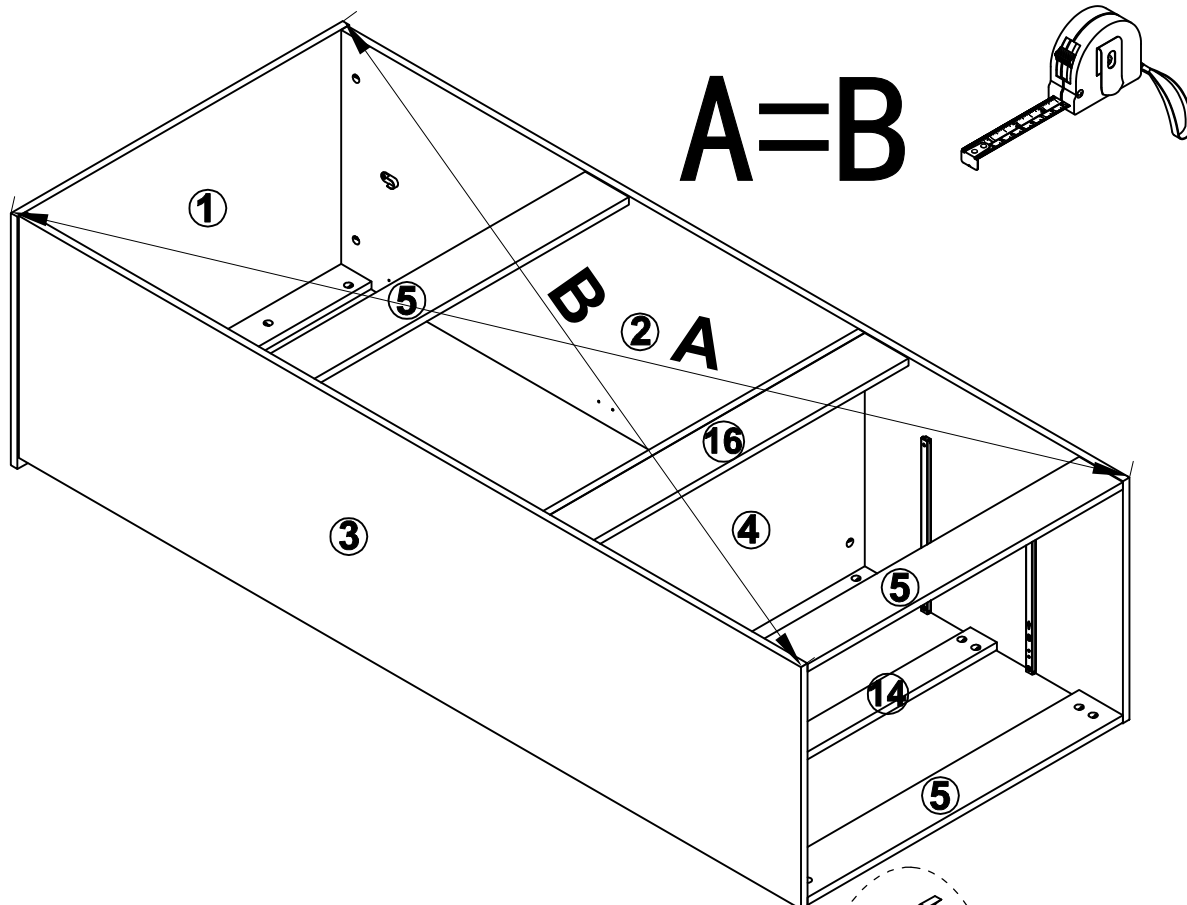
Lock



DO NOT LIFT THE
WARDROBE UNTIL THE BACK
HAS BEEN FITTED

Assembly Instruction

Step 9



Step 10

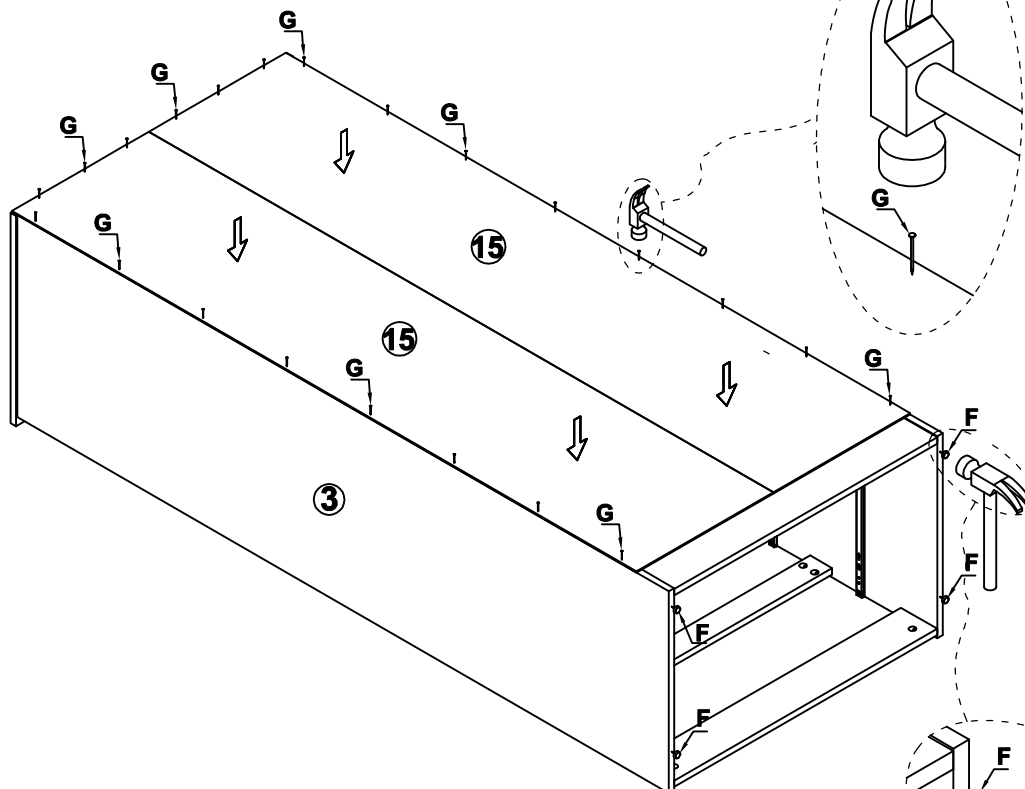
G=22

F=4



Pin

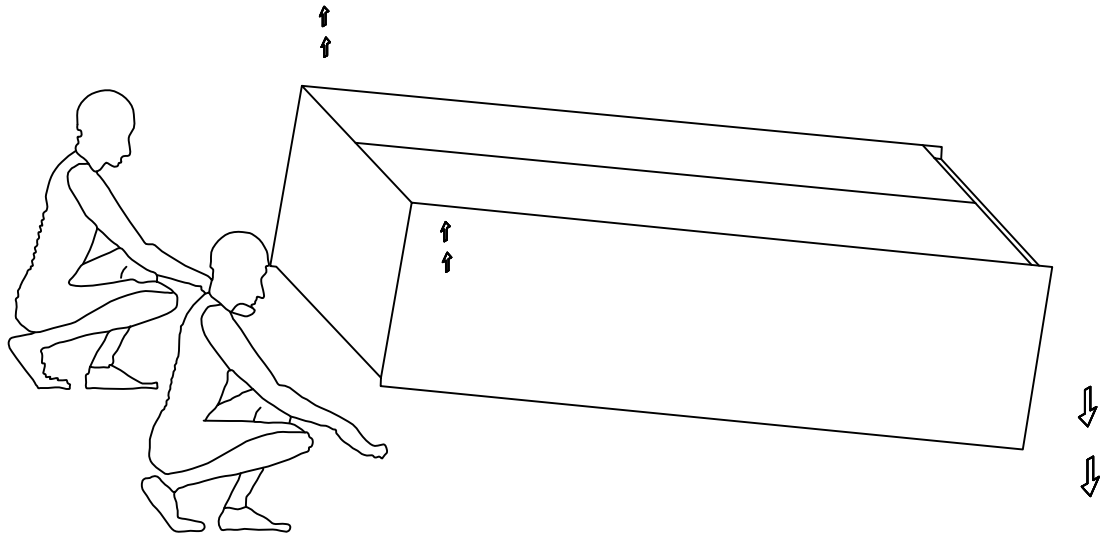
Plastic Feet



DO NOT LIFT THE
WARDROBE UNTIL THE BACK
HAS BEEN FITTED

Assembly Instruction

Step 11



MAKE SURE TO LIFT UP

WARDROBE FROM THE TOP PANEL SIDE

Step 12

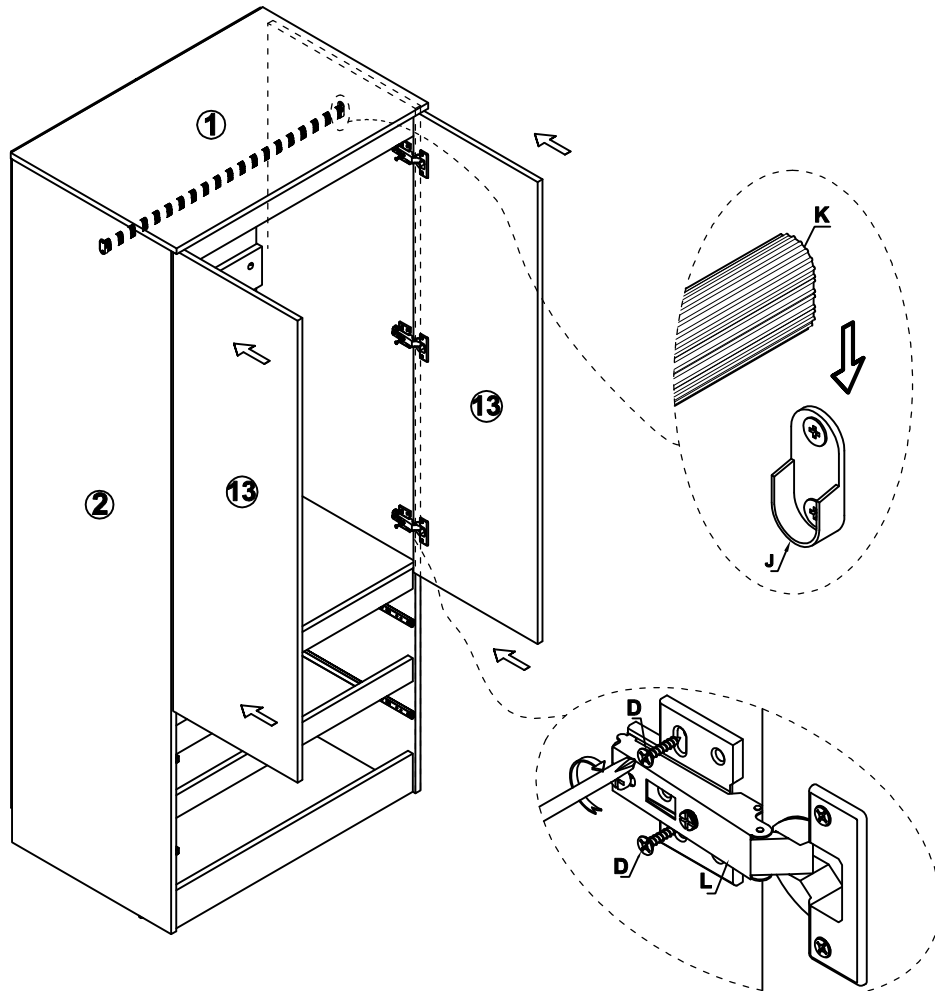
D=12

K=1



Screw
M3.5*14mm

Clothes
Bar



Assembly Instruction

Step 13

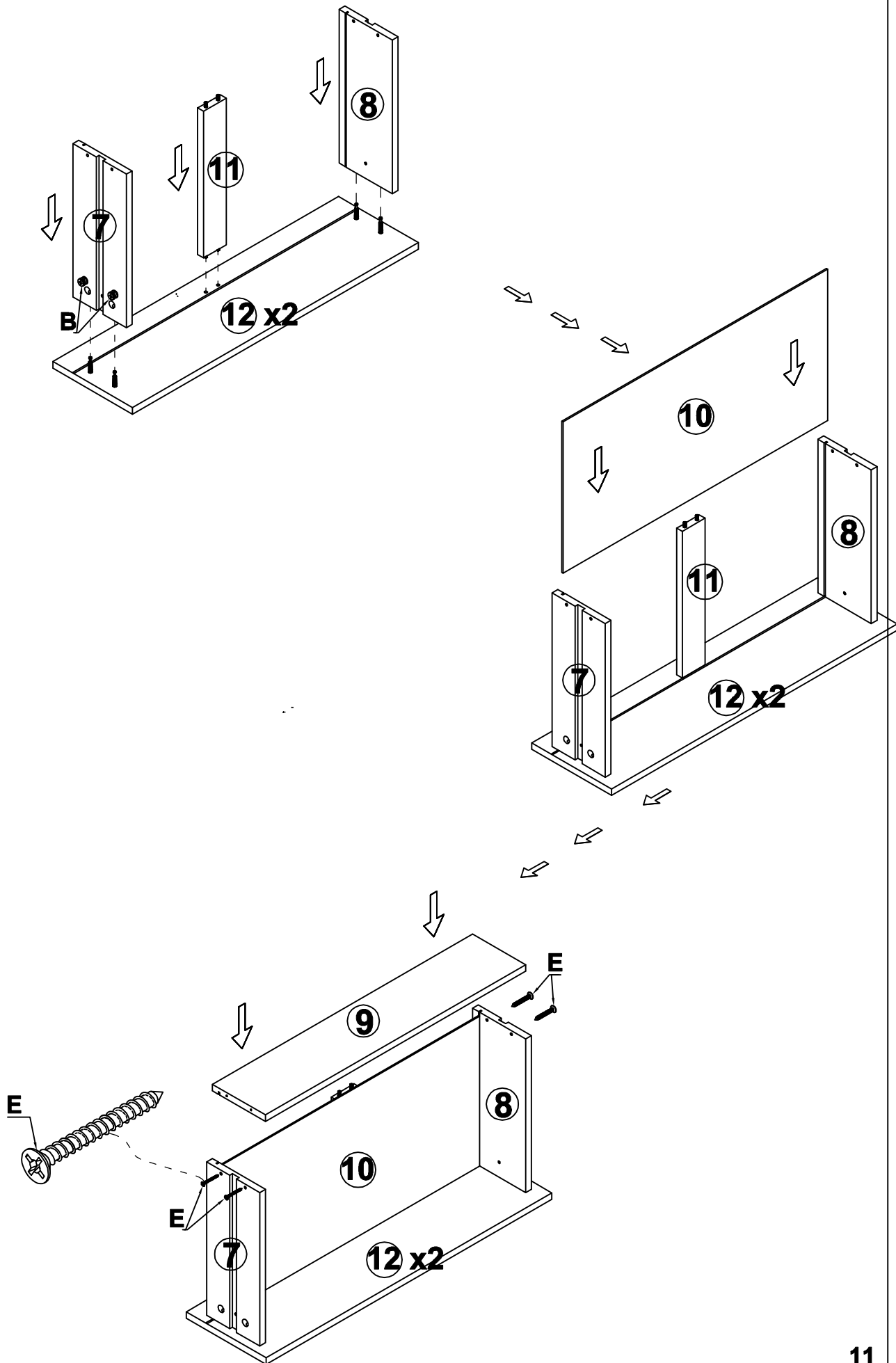
B=8

E=8



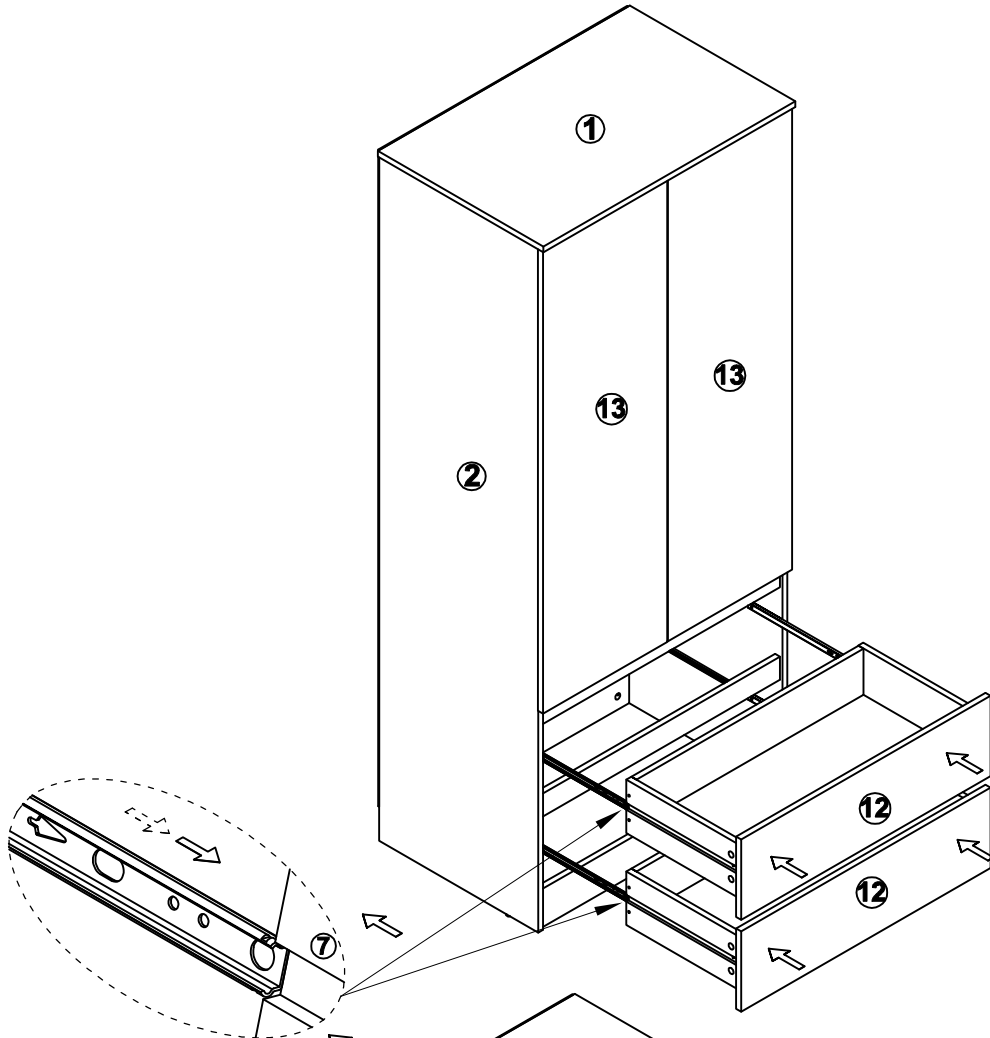
Lock

Screw
M4*38



Assembly Instruction

Step 14

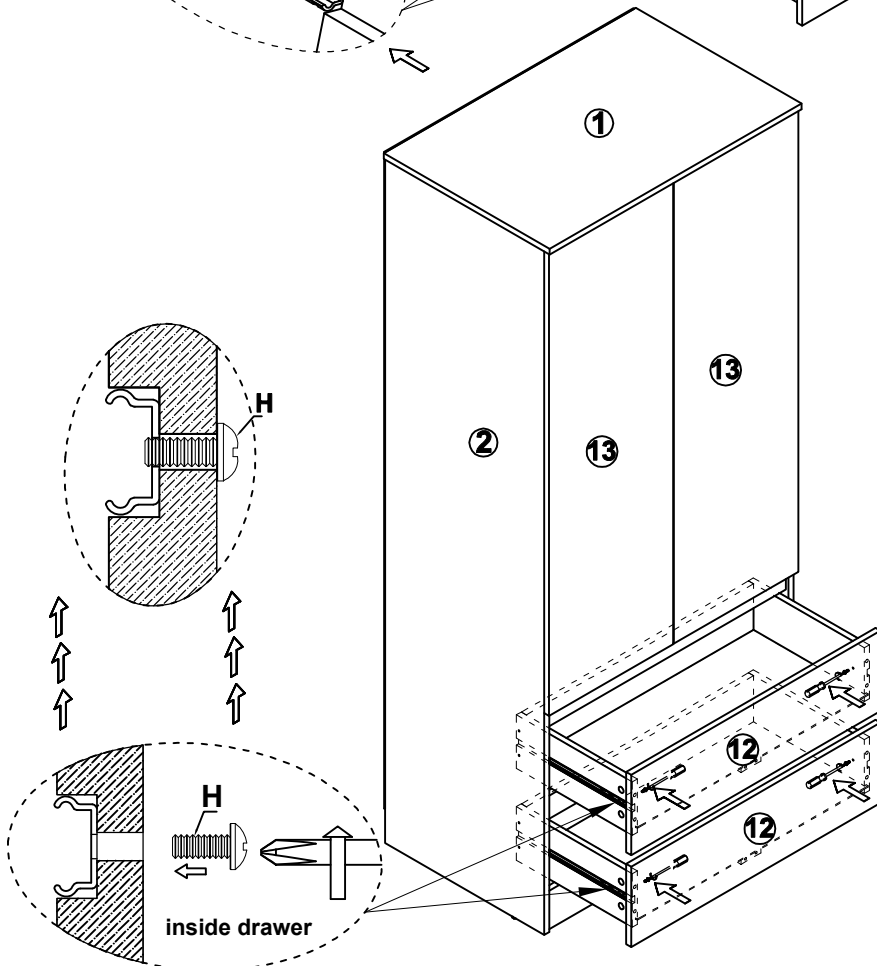


Step 15

H=4



Screw
M4*12mm

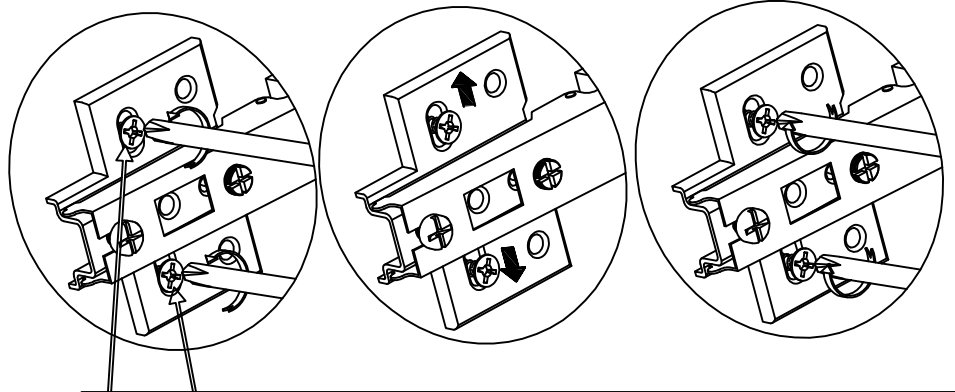
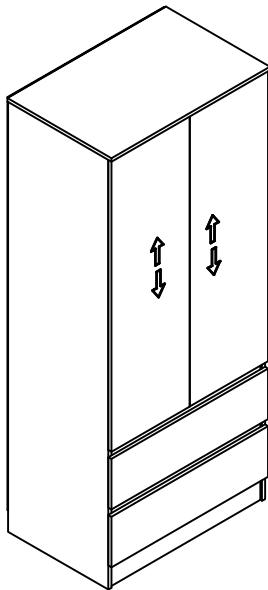


STEP 16



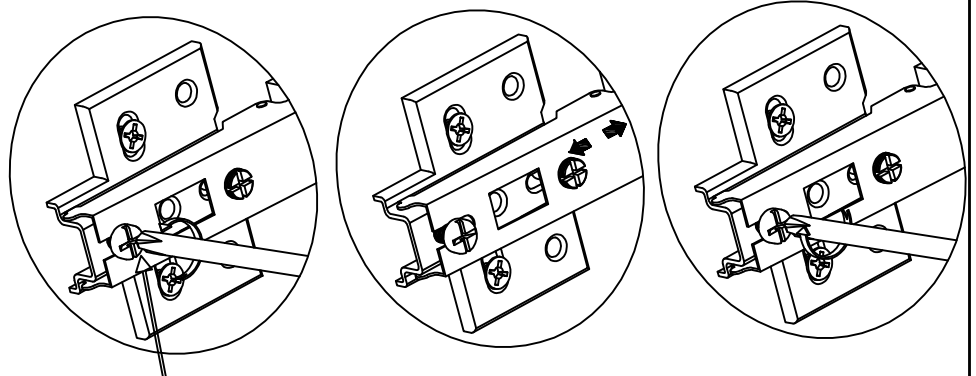
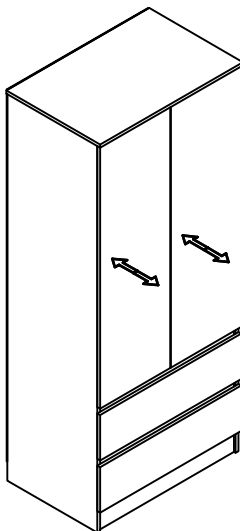
Customer Attention:

To align doors and control gap in between doors.
Product doors may need adjusting during
and after assembly.
This can be done by adjusting appropriate screws.
See below illustration.



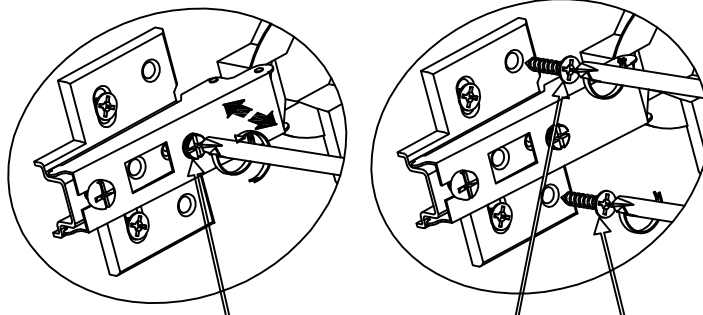
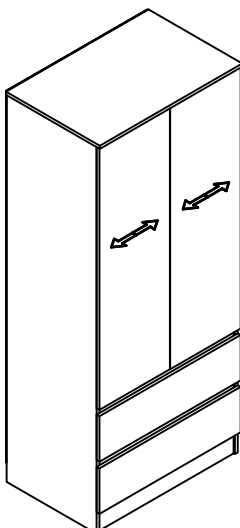
Vertical door adjustment:

Loosen both screws on all hinges and lift the door to the desired height.
This allows an even space at the top and bottom between the door and frame



Lateral Door Adjustment:

If door is hinge bound, (rubbing on frame as you close or open door) loosening screw shown and move the door in appropriate direction. (In or out)



D  12PCS

Horizontal Door Adjustment:

Rotate Screw clock wise or anti clock wise. This will produce an even gap between doors and frame.

after adjusting, you find the doors are in alignment, you can fasten that hinge with 2 screws

P=1

