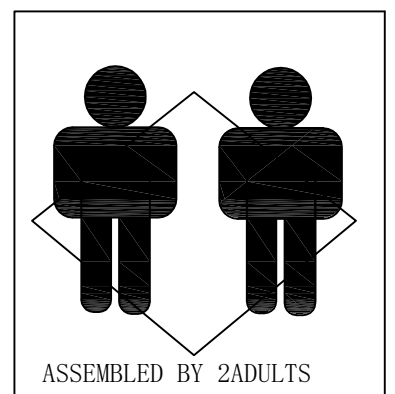
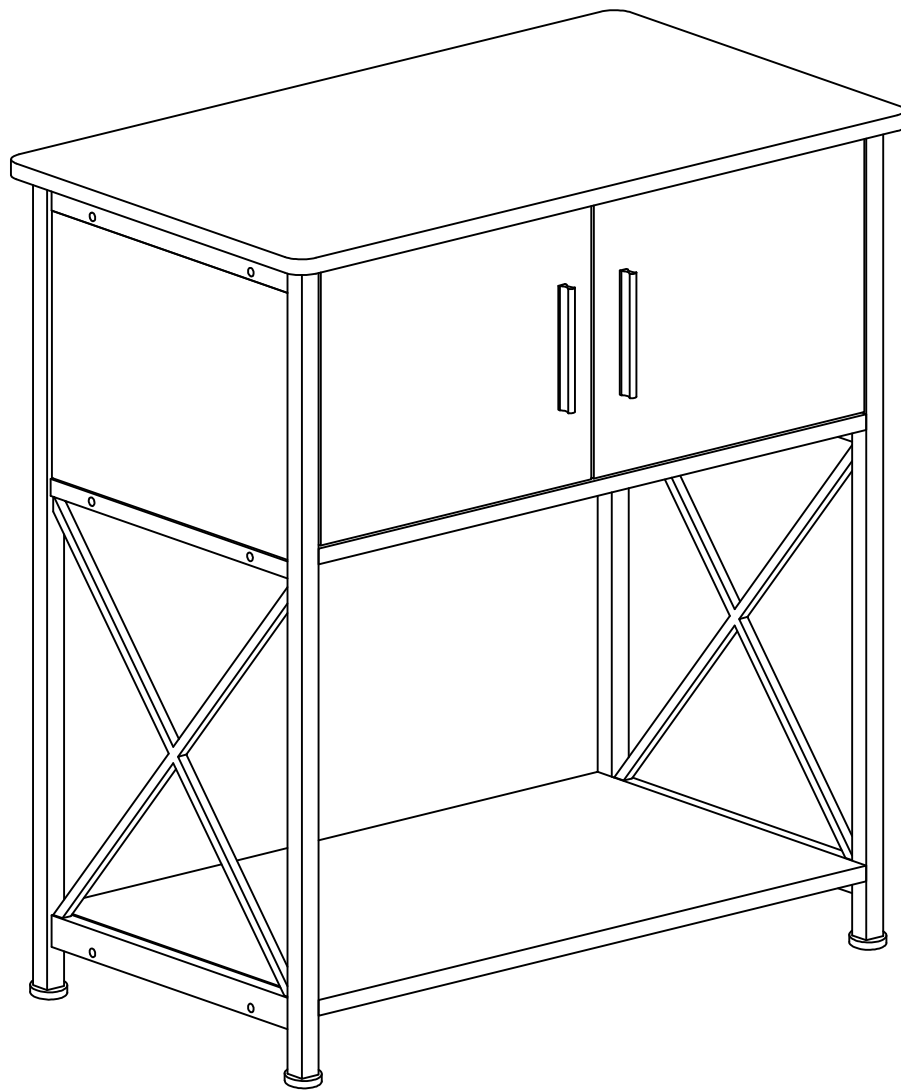
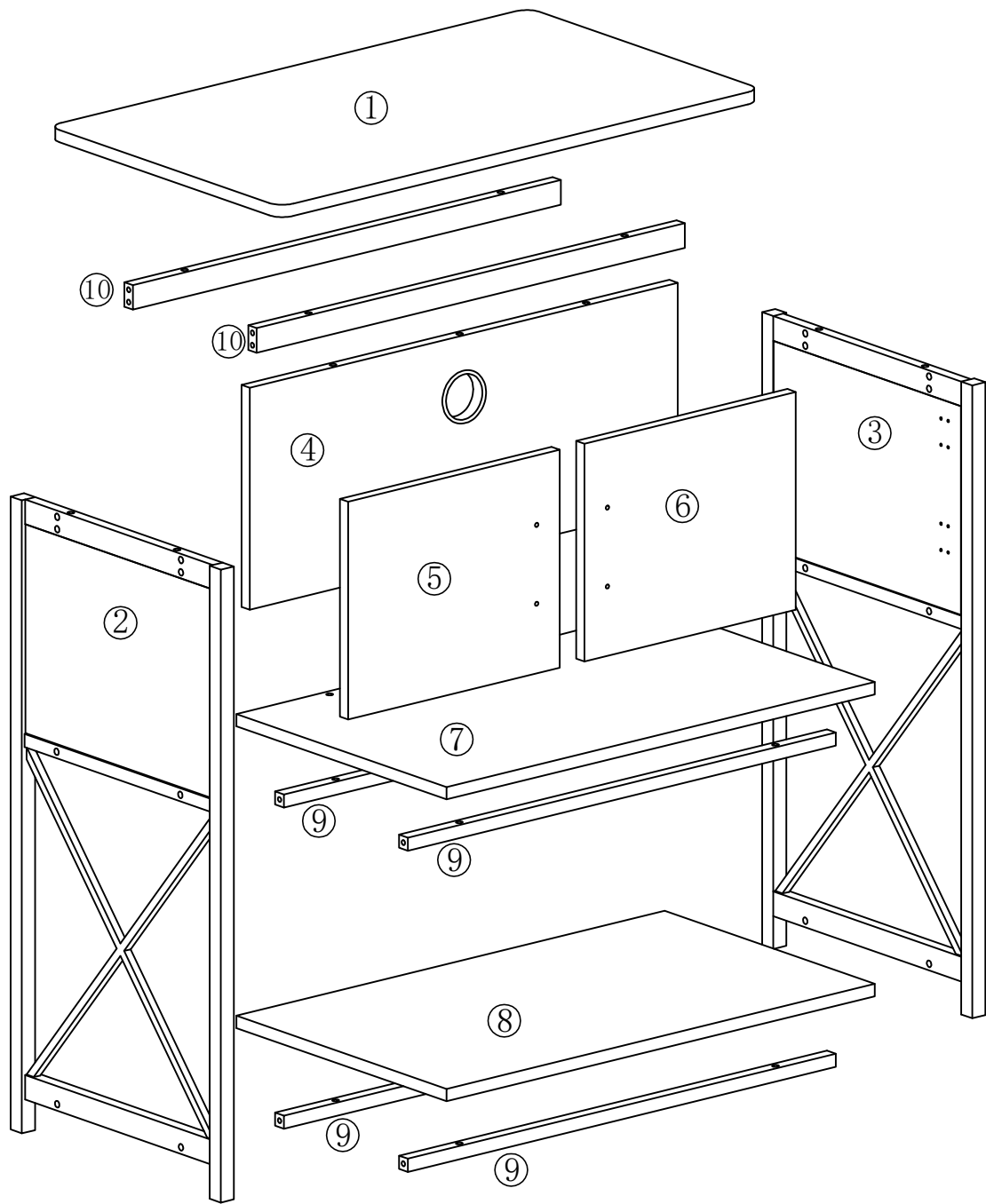
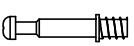


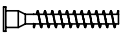

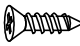
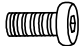






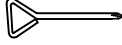




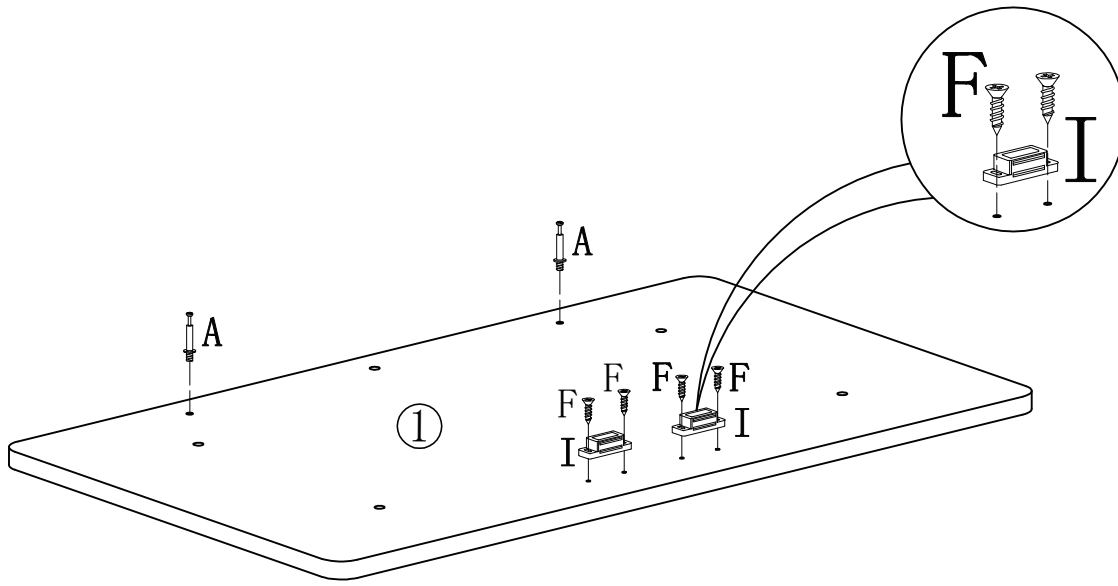
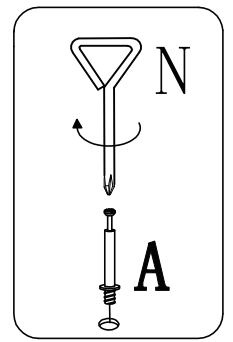
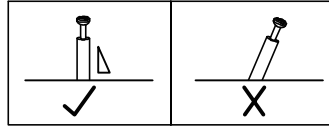
Assembly Instructions



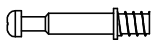


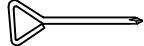


A	X2+1	B	X2+1	C	X2+1	D	X2+1	E	X1	F	X32+1	G	X8+1	H	X20+1
															
φ 6X35mm		φ 15X12mm		φ 8X30mm		φ 7X47mm		M4X55mm		3. 5*14mm		M6*25mm		M6*40mm	
I	X2	J	X2	K	X2	L	X4+1	M	X4	N	X1	O	X4	P	X1
															
46*16*14mm		45*12*1mm		106*16*8mm		M4*18mm		M6* φ 32mm		72*30*5mm				φ 20mm	

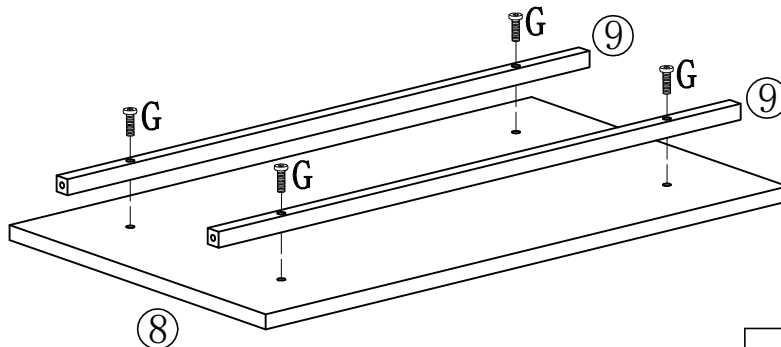
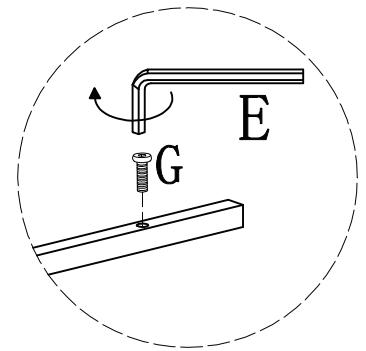
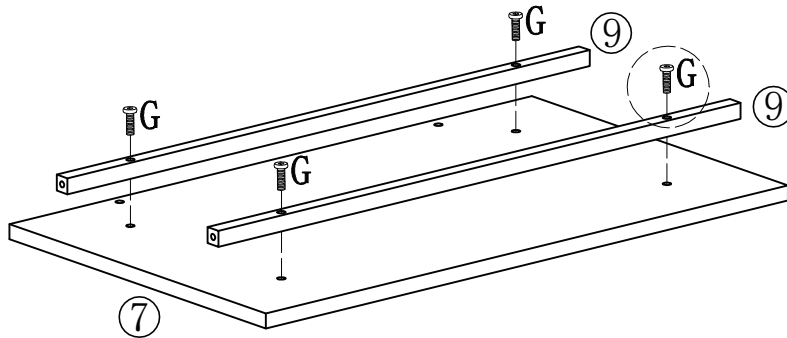
STEP 1




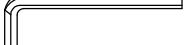
Step 1: Install Connector Bolts A x2 into Part #1 using provided Tool N. Install lush and straight as shown in the diagram. Install Part I x2 using screws F x4.

A	X2	F	X4	I	X2	N	X1
							
Φ 6X35		3.5*14mm		46*16*14mm		72*30*5	

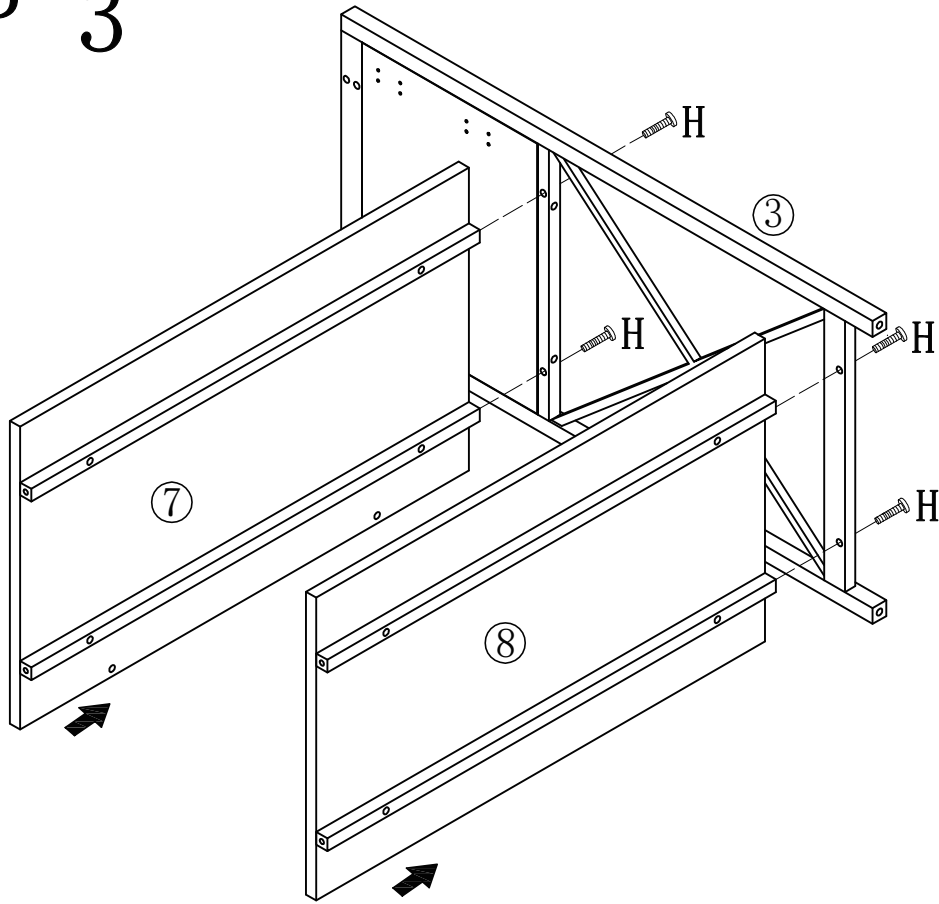
STEP 2



Step 2: Instal Rails Part #9 x2 on both Parts #7 ad #8 using screws G x8 as shown.

G	X8	E	X1
			
M6X25mm		M4X55	

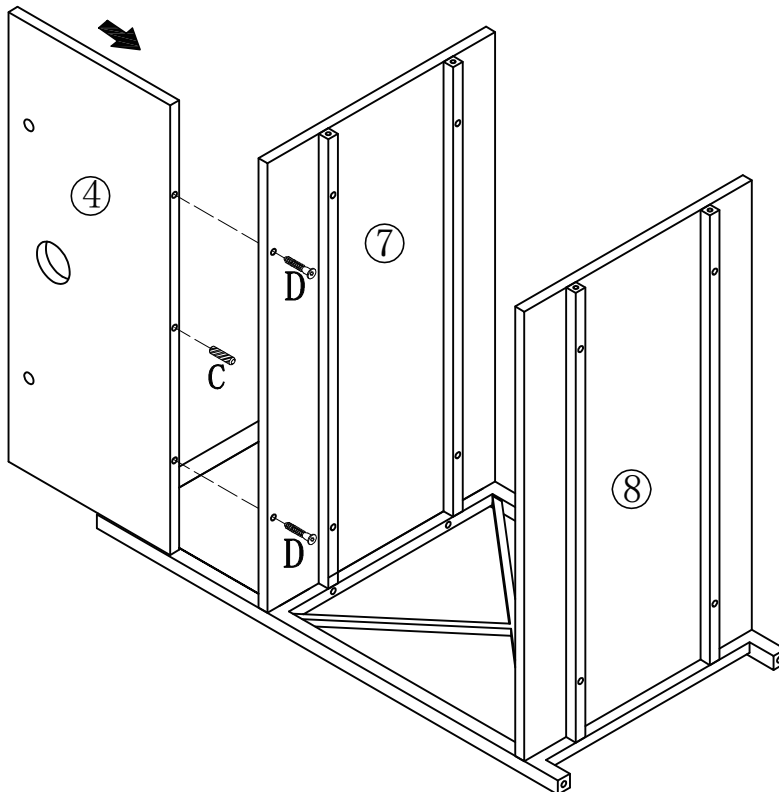
STEP 3



Step 3: Install side Part #3 to Parts #7 & #8 by attaching Crews Hx4 into the Rails (Parts #9)

H	X4
M6X40mm	

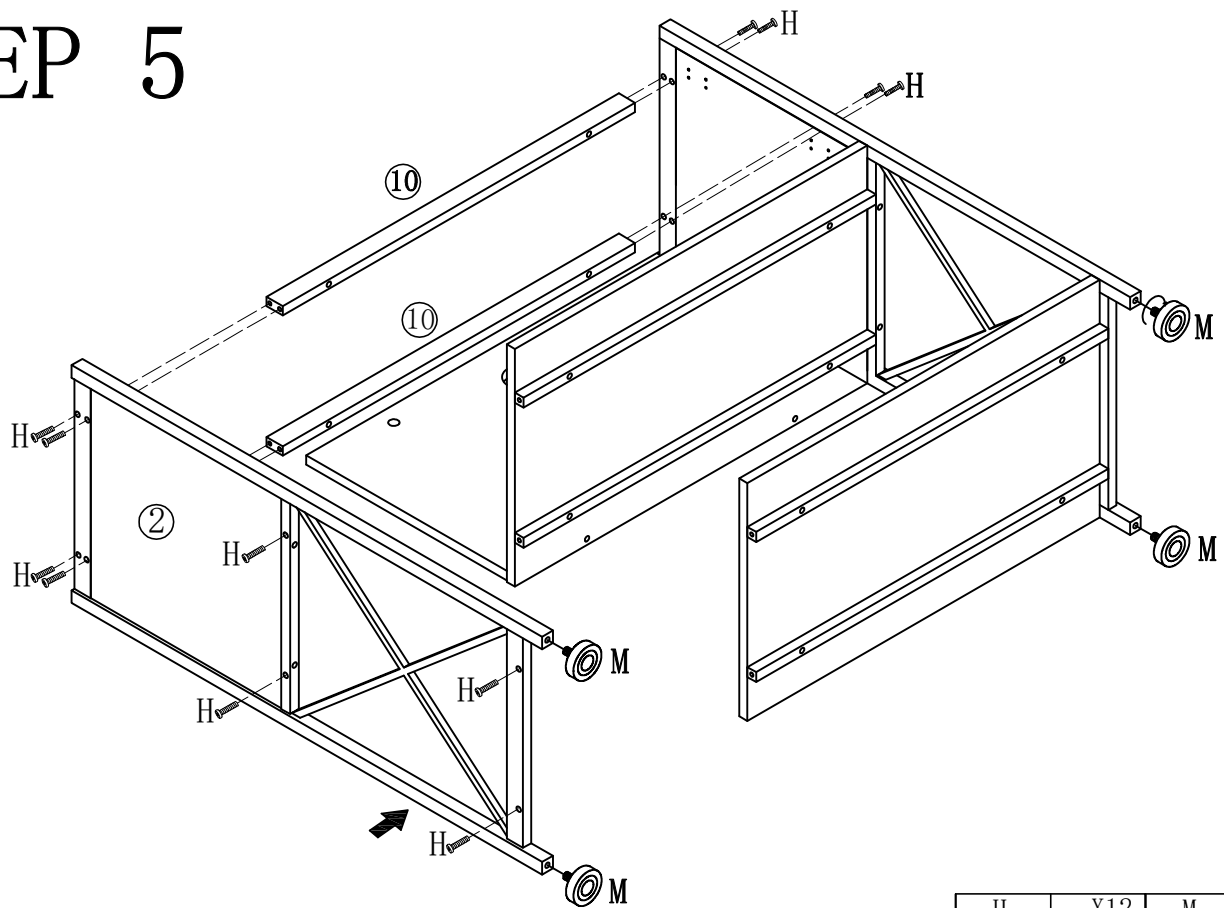
STEP 4





Step 4: Install back part #4 to Part #7 as shown using wooden dowel C and screws D x2

C	X1	D	X2
φ 8X30		φ 7X47	

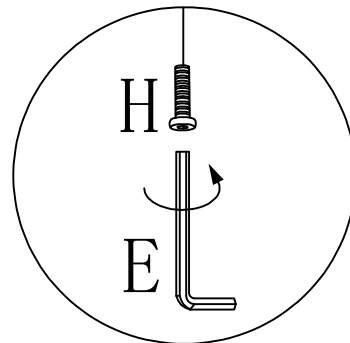
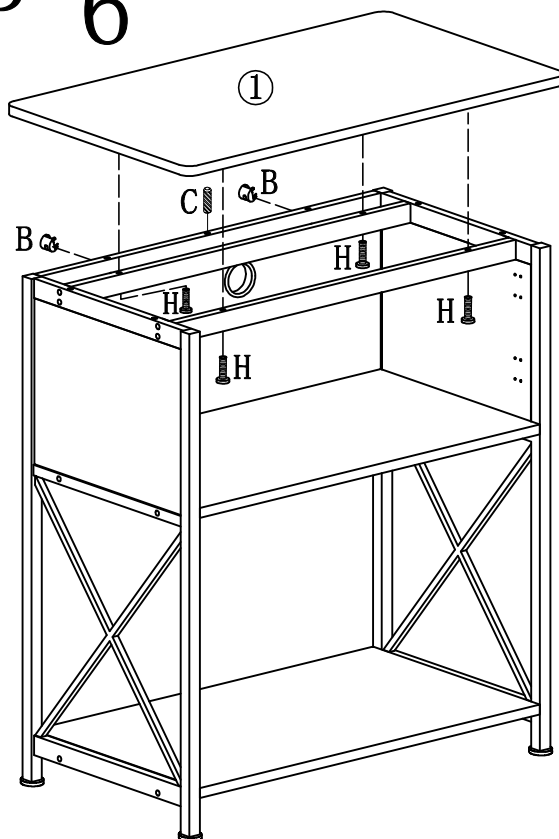
STEP 5






Step 5: Attach the 2nd side Part #2 as shown. Use Rail Part #10 x2 on top connected with screws H. Then also connect Part #2 to Rails on Parts#7 & #8 as shown.. Also install the Feet parts M X4 on bottom of legs.

H	X12	M	X4
			
M6X40mm		M6* φ 32	

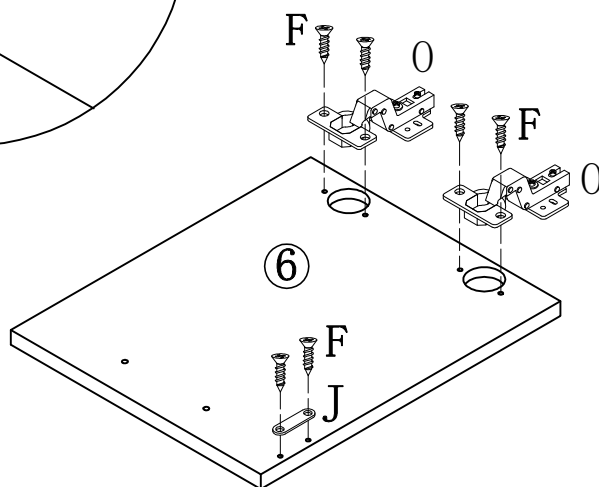
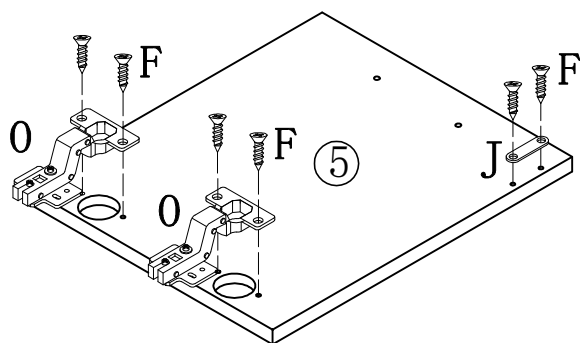
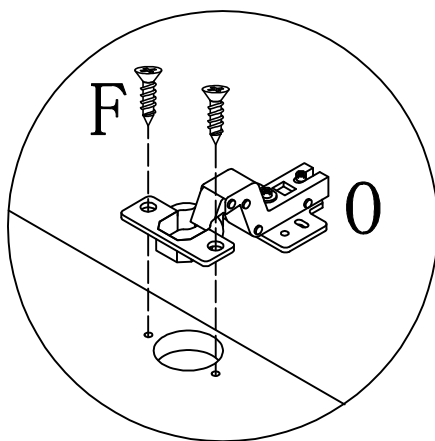
STEP 6


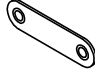



Step 6: Connect Top Part#1 to unit. Add in wooden dowel C×1 as shown, then secure with bolts H×4 by using allen wrench as shown. Connect Nuts B×2 in back at last(tighten with the connector bolts on Part#1 when in place).

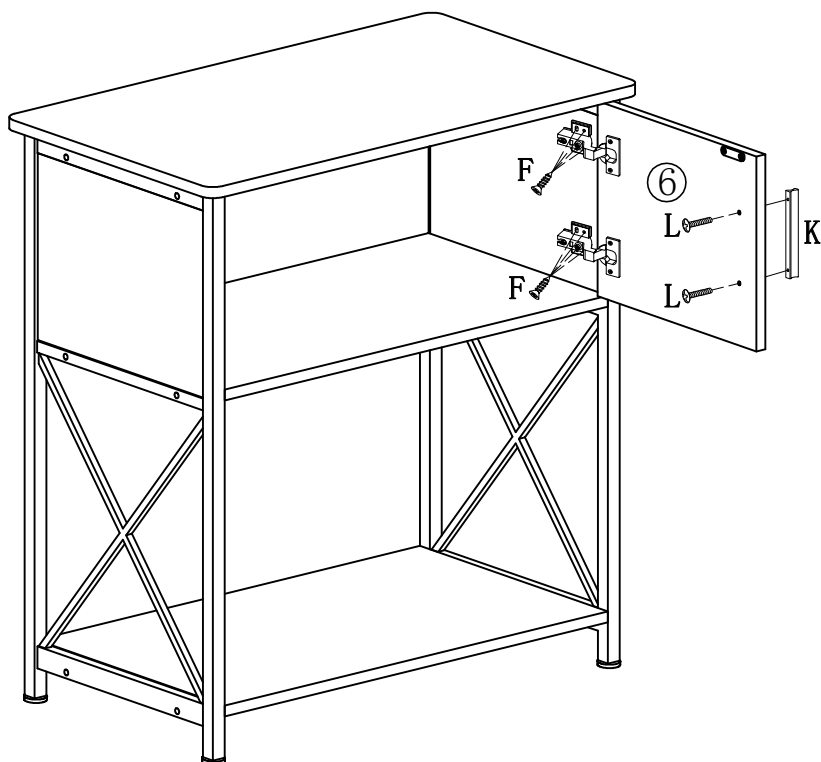
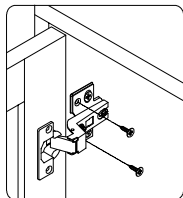
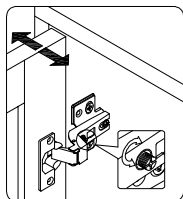
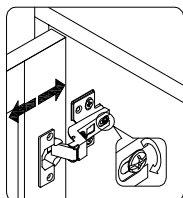
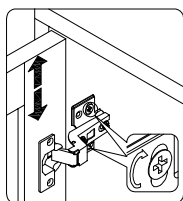
B	X2	C	X1	H	X4
					
φ 15X12		φ 8X30		M6X40mm	

STEP 7






F	X12	J	X2	0	X4
					
3.5*14mm		45*12*1mm			

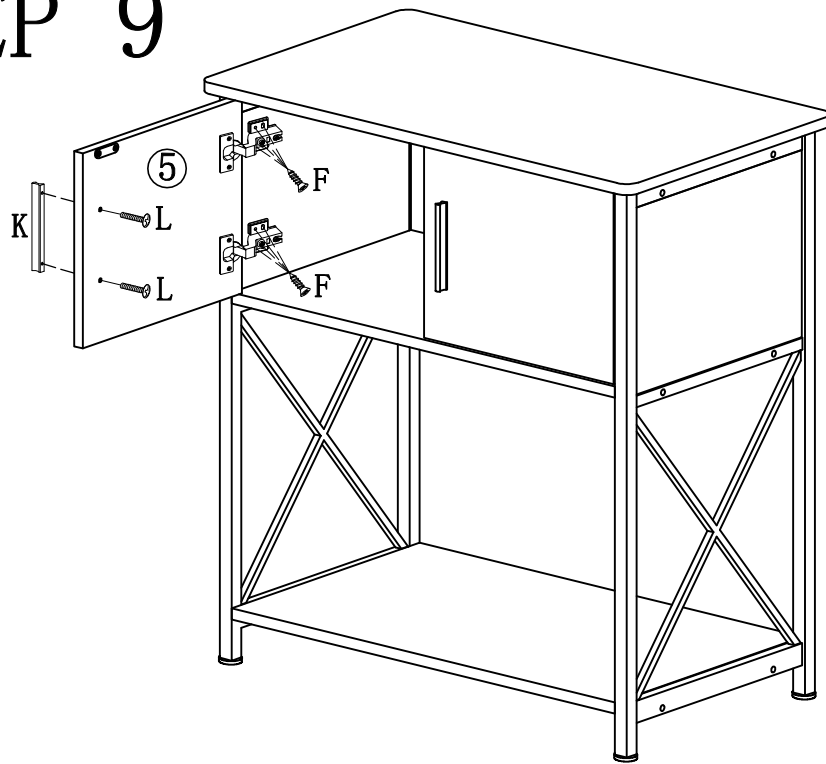
STEP 8






Step 8-9: Attach each door as shown using screws F (x2 per hinge) Also Attach each door handle Part K using screws L.
 You can make the door more compliant by adjusting the door hinges as left picture shows.

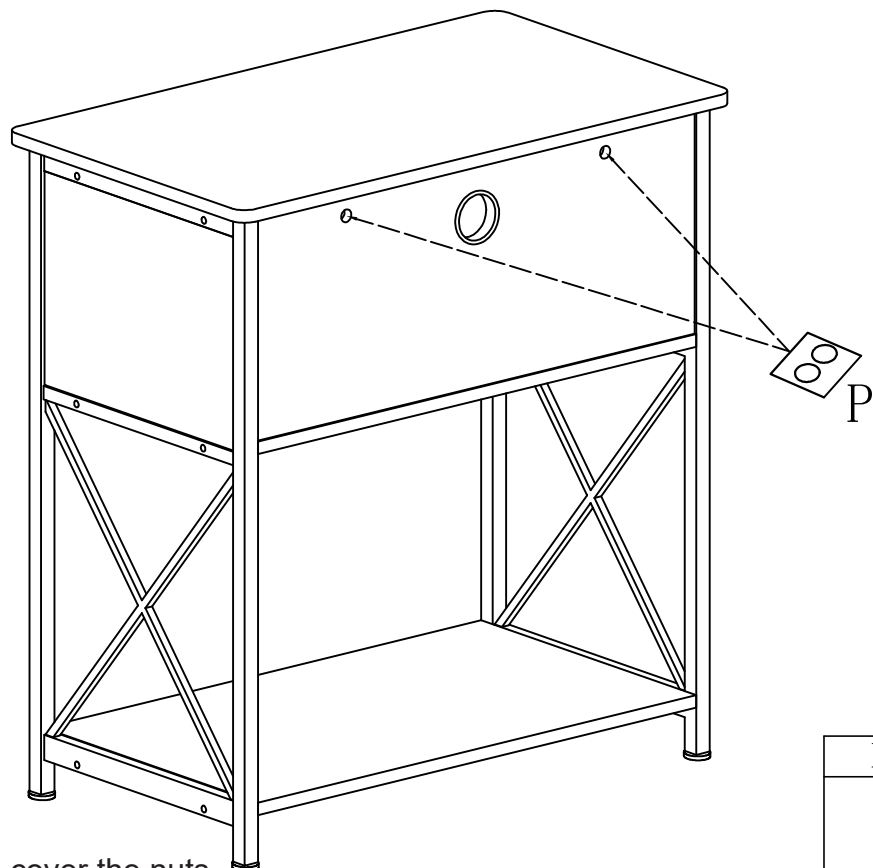
F	X8	K	X1	L	X2
					
φ 3.5*14mm		106*16*8mm		M4*18mm	

STEP 9




F	X8	K	X1	L	X2
					
φ 3.5*14mm		106*16*8mm		M4*18mm	

STEP 10



Step 10: Put two stickers P to cover the nuts.
Enjoy the Fish Tank Stand :)

P	X1
	
	φ 20