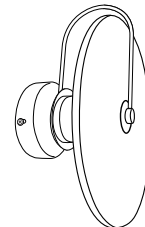
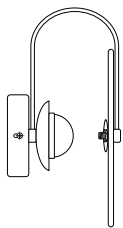


# Round Alabaster Wall Sconce

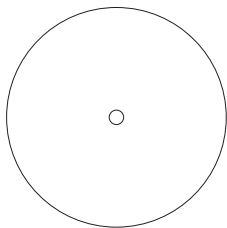
Model# JK-WS004



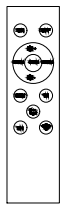
## PACKAGE CONTENTS



Wall Sconces Fixture



Round Alabaster



Remote Control



Gloves



Wire Nuts



Screws

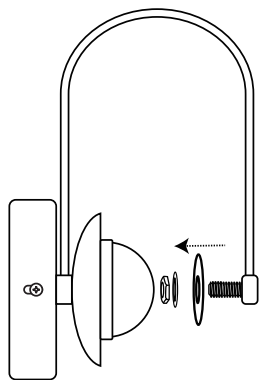


Plastic Expansion Pipes

## How to install the Wall Sconces Fixture

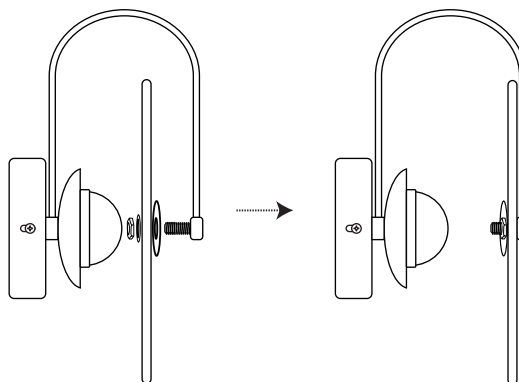
1

Start by unscrewing the screws from the light fixture.



2

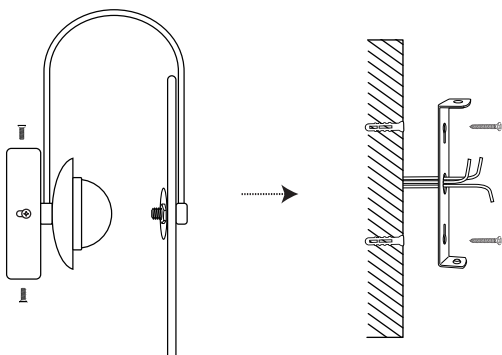
Thread the round alabaster onto the light fixture by rotating it clockwise.



3

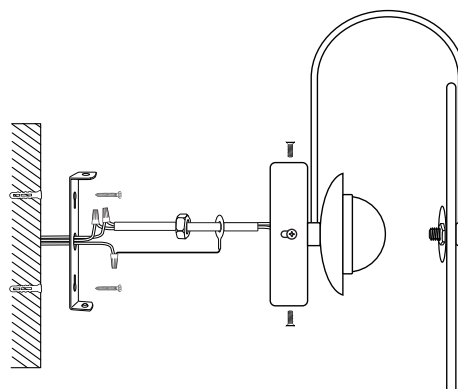
Step 1: Unscrew the two nuts from the fixture base and remove the mounting bracket.

Step 2: Mount the bracket to the wall using screws. Slip the ground wire over the lamp holder's wire, pass the nut through the lamp holder's wire, and tighten the nut to secure the ground wire to the lamp holder.



4

Connect the house live wire to the blue wire from the light fixture using a wire connector. Attach the neutral wire from the house to the brown wire from the light fixture. Then, attach the ground wire from the house to the copper wire from the light fixture the same way. Wrap all wire connections with electrical tape for a more secure connection. Carefully tuck all wire connections into the outlet box.



## Maintenance

1. Voltage: 85-265V
2. Turn off the power before clean out
3. Please wash with the sanitizer without corrosivity.
4. Please install according to the installation manual.

