

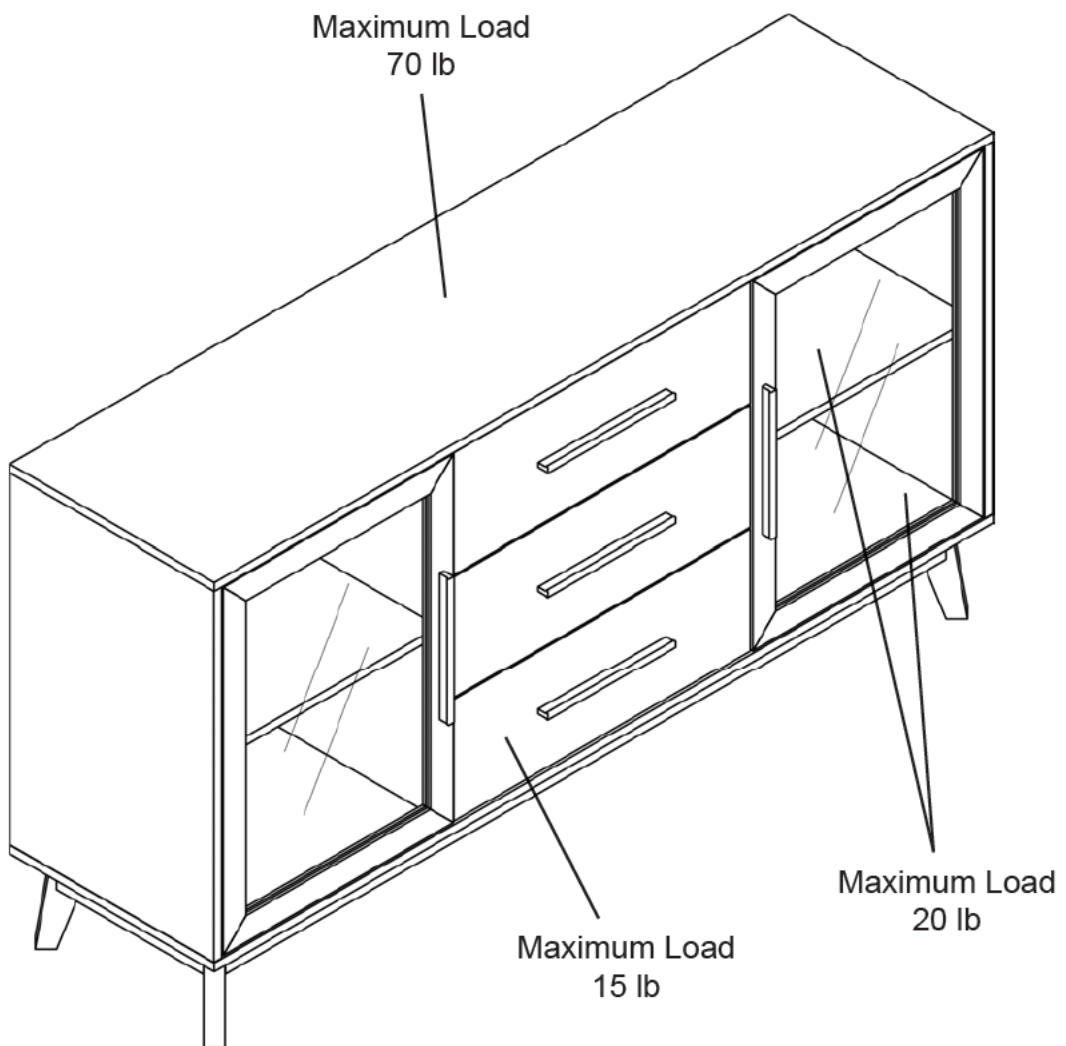


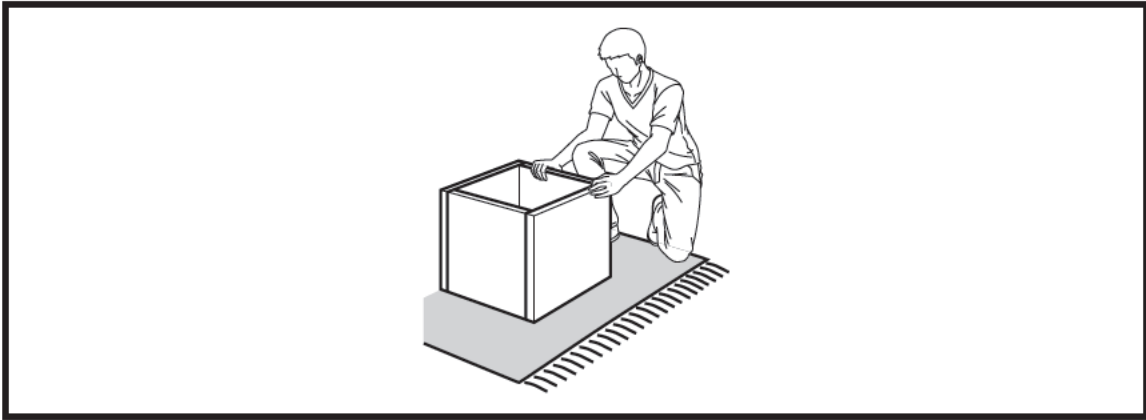
Estimated time for assembly:

90 mins



Weight limitations are as follows:

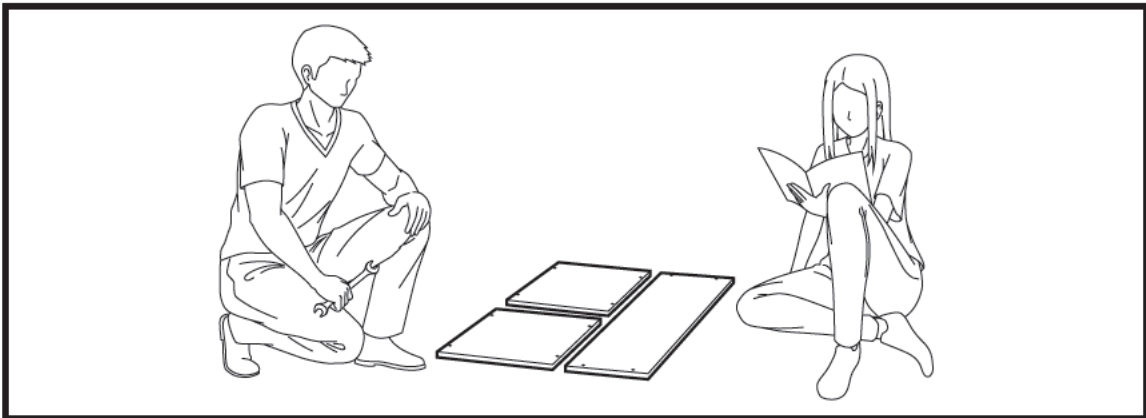




Assemble the furniture on an empty carton, carpet, or rug to prevent scratches or damage.

For safety, please keep pets and children away from the assembly area.

Ensure the product is fully assembled before use. If you are missing any hardware or products, do not use it until you have restored the missing parts.



This furniture requires 2 people for assembly.

Read this instruction manual prior to assembly to familiarize yourself with the various steps.

Lay out all components and hardware separately on a flat surface and make sure that no parts are missing or damaged before assembly. Do not destroy or discard any packaging until you are certain that you have all the necessary parts for assembly.

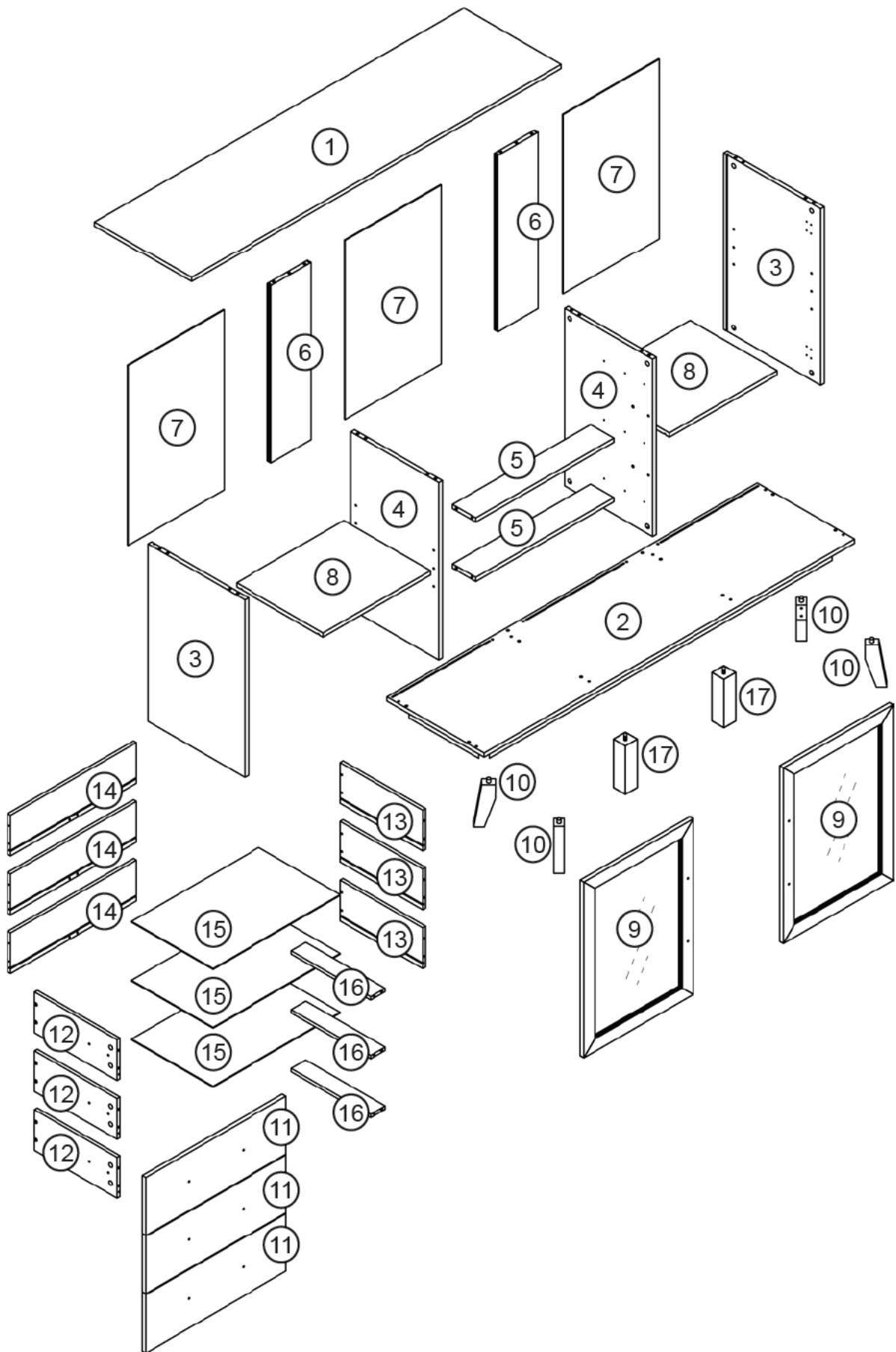
Hand tight all hardware and careful not to over tighten to avoid damaging the product.

CAUTION

There are small components used in the construction of this product. Loose items should be kept away from pets and children to avoid a choking hazard.

Keep all plastic bags and packaging film away from pets and children to avoid suffocation.

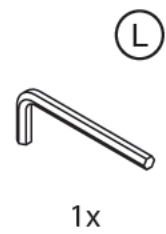
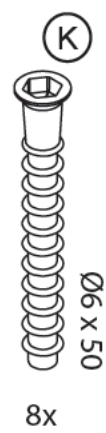
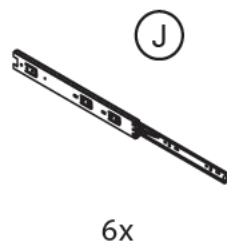
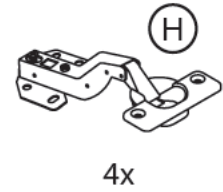
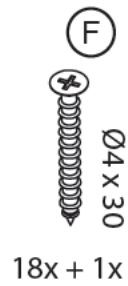
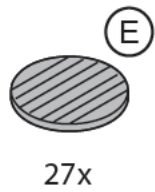
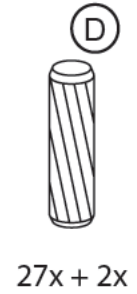
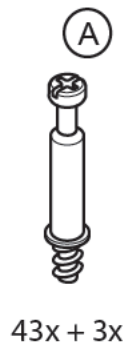
PACKAGE CONTENTS



PACKAGE CONTENTS

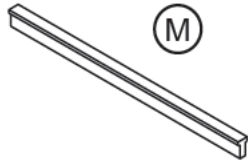
CODE	DESCRIPTION	QTY
1	Top Panel	1
2	Bottom Panel	1
3	Side Panel	2
4	Medial Panel	2
5	Crossbar	2
6	Back Support Panel	2
7	Back Panel	3
8	Storage Shelf Panel	2
9	Cabinet Door	2
10	Leg	4
11	Drawer Front Panel	3
12	Drawer Left Panel	3
13	Drawer Right Panel	3
14	Drawer Back Panel	3
15	Drawer Bottom Panel	3
16	Drawer Support Bar	3
17	Support Leg	2

PACKAGE CONTENTS



Install all hardware perpendicular to the opening.

PACKAGE CONTENTS



5x

(N)



10x + 1x

(O)



8x

(P)



12x + 1x

(Q)



12x + 1x

(R)



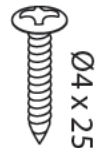
2x

(S)



2x

(T)



2x

(U)



2x

(V)

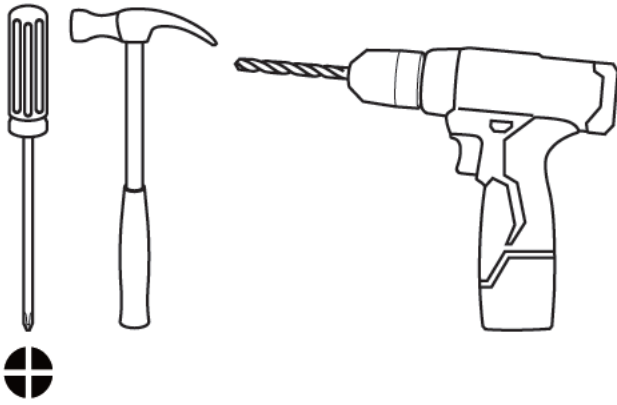


16x



Install all hardware perpendicular to the opening.

Required tools for assembly (Not included)



1

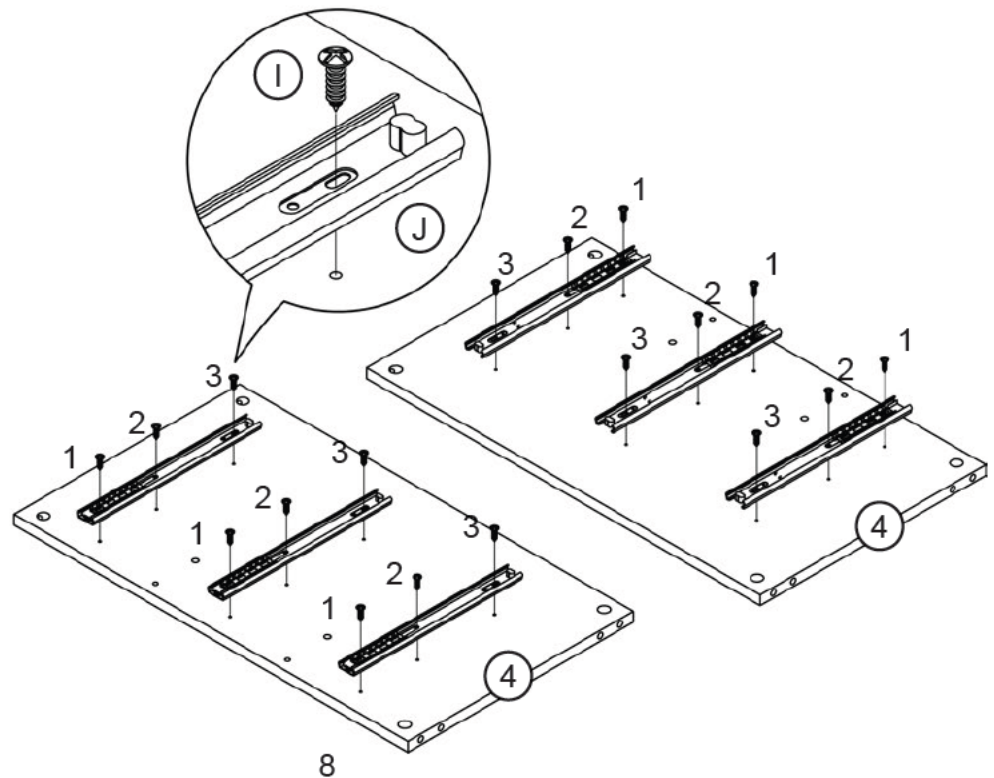
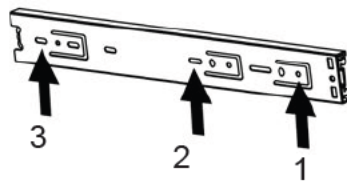
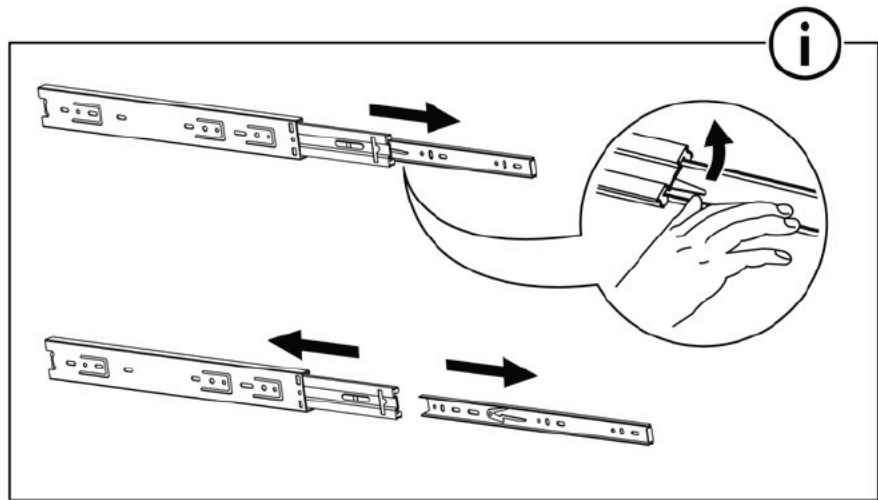
Attach drawer slide mounting bracket to the medial panels.



(I) 18x

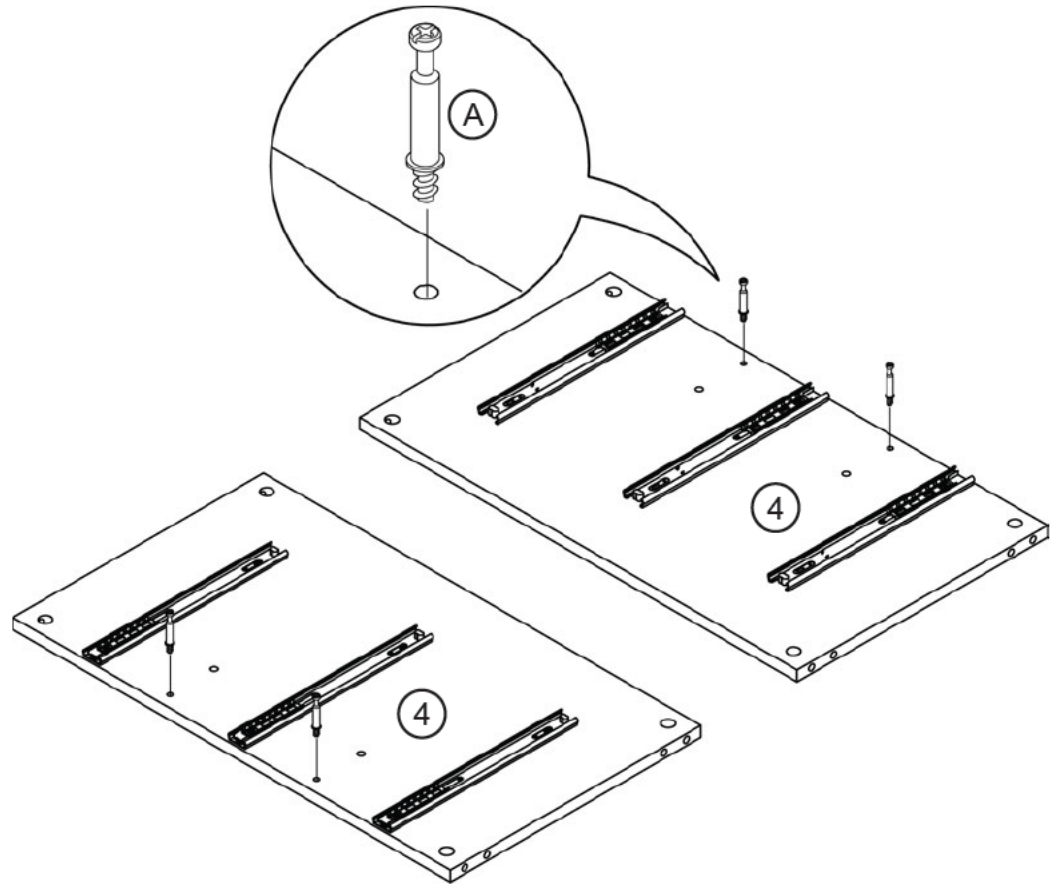
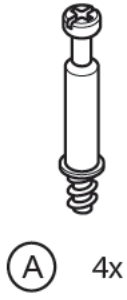


(J) 6x



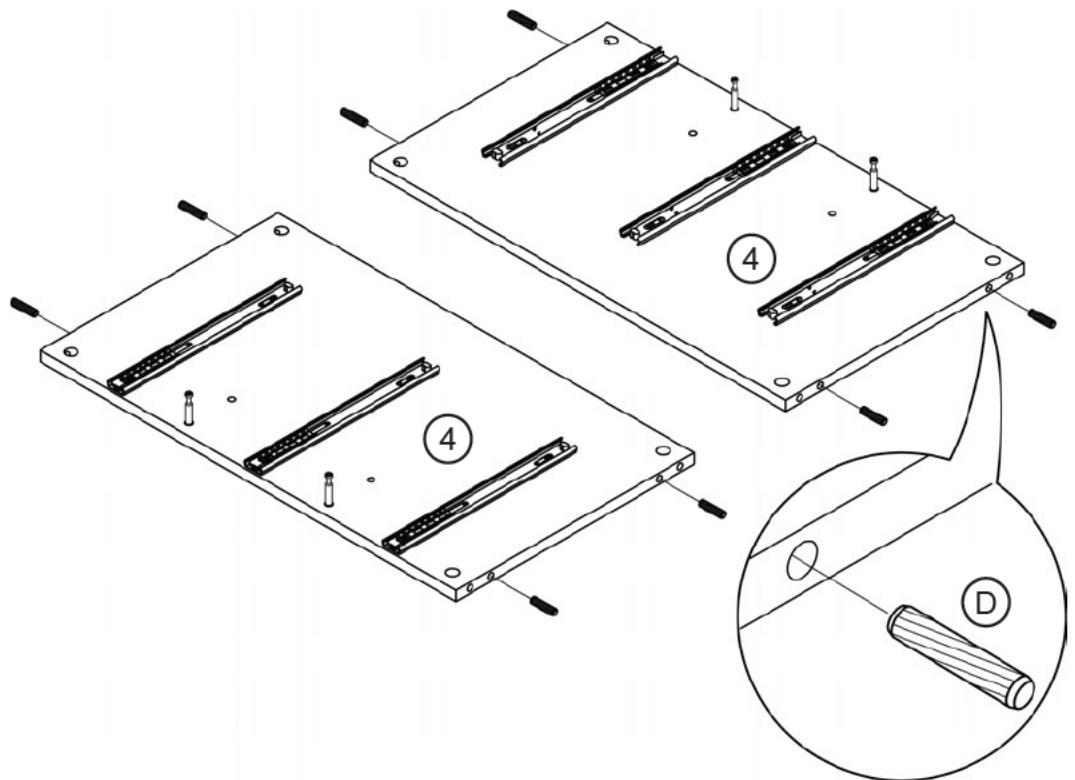
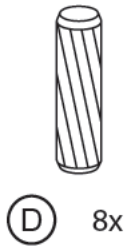
2

Attach cam bolts to the medial panels.

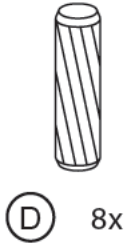


3

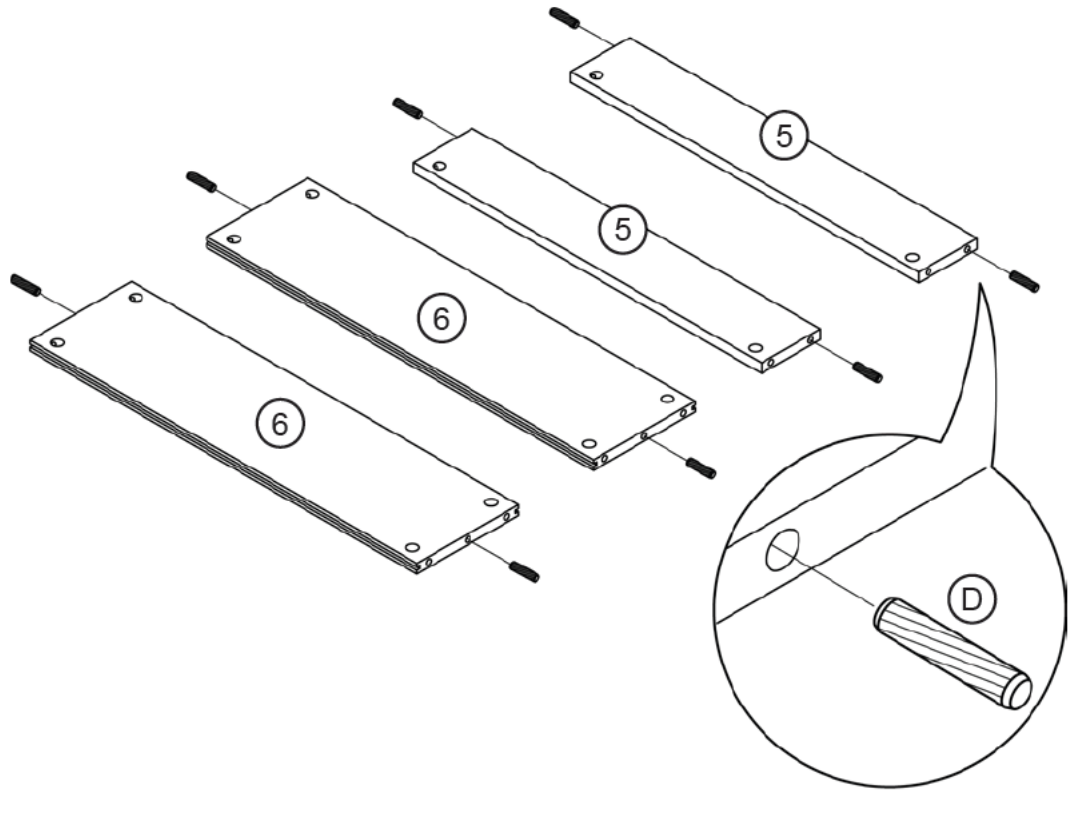
Insert wood dowels to the medial panels.



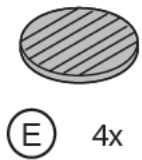
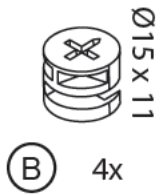
4



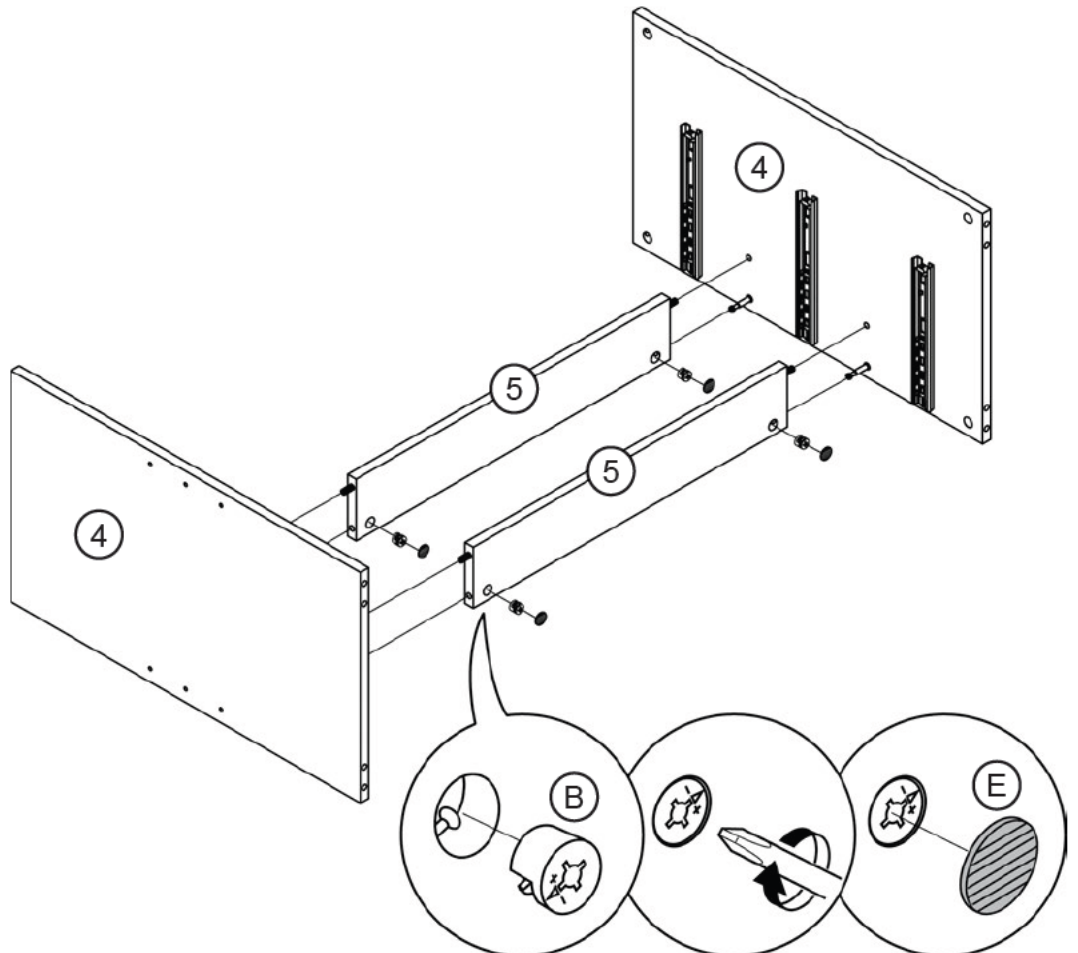
Insert wood dowels to the back support panels and the crossbars.



5

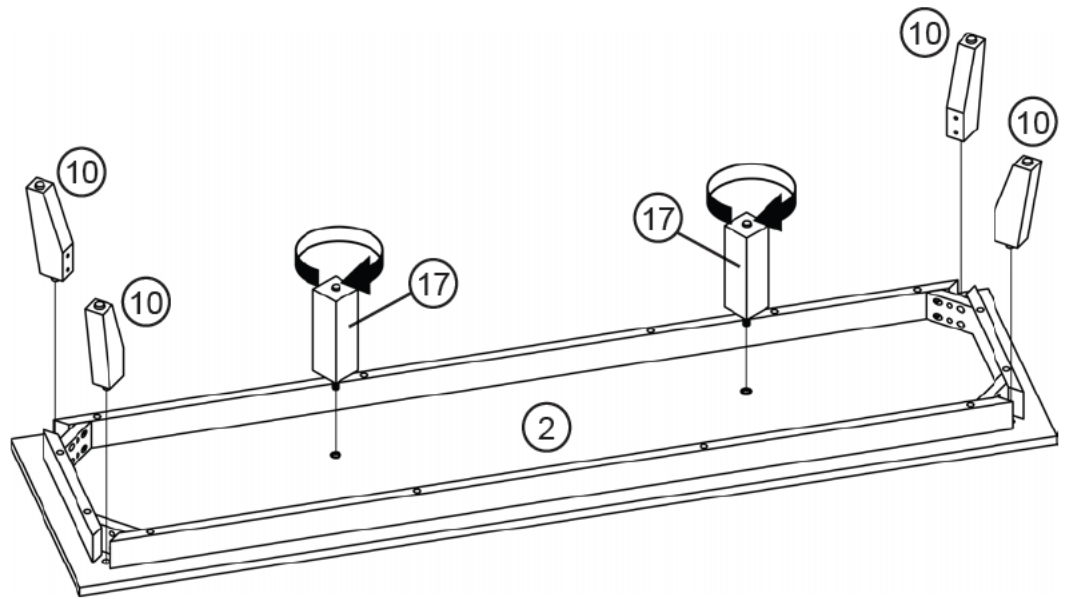


Assemble the crossbars between the medial panels.



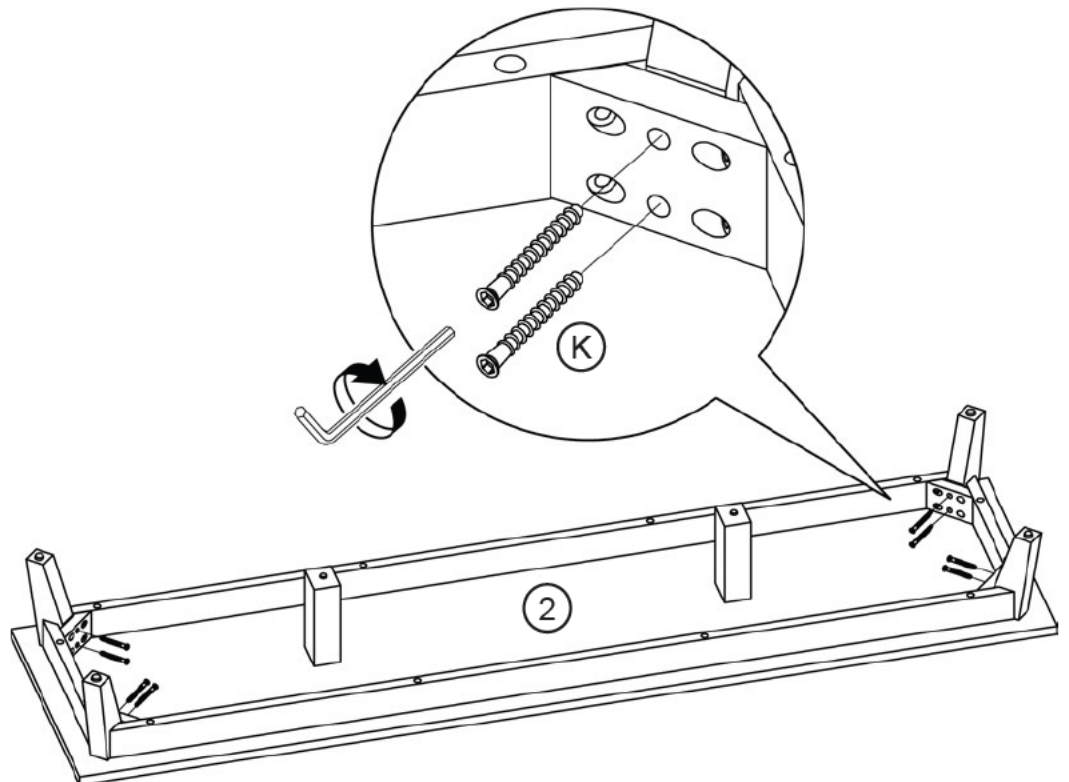
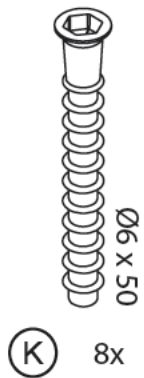
6

Attach legs and support legs underneath the bottom panel.



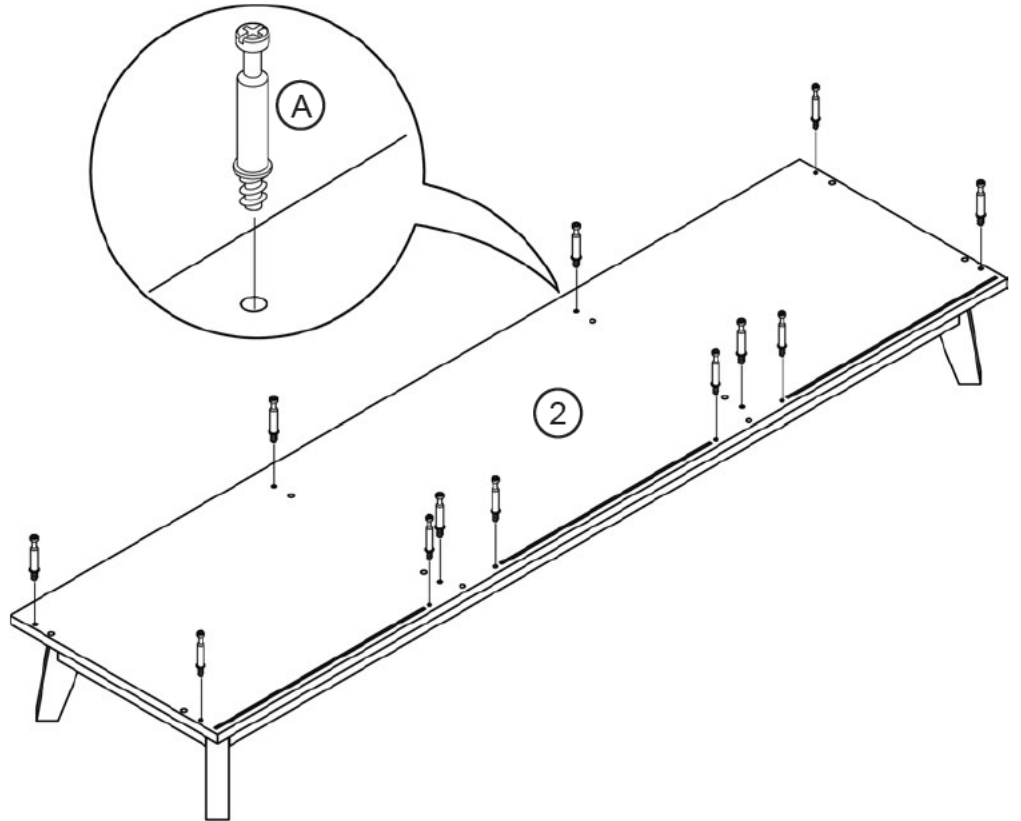
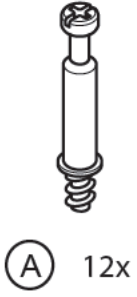
7

Secure the legs to the bottom panels.



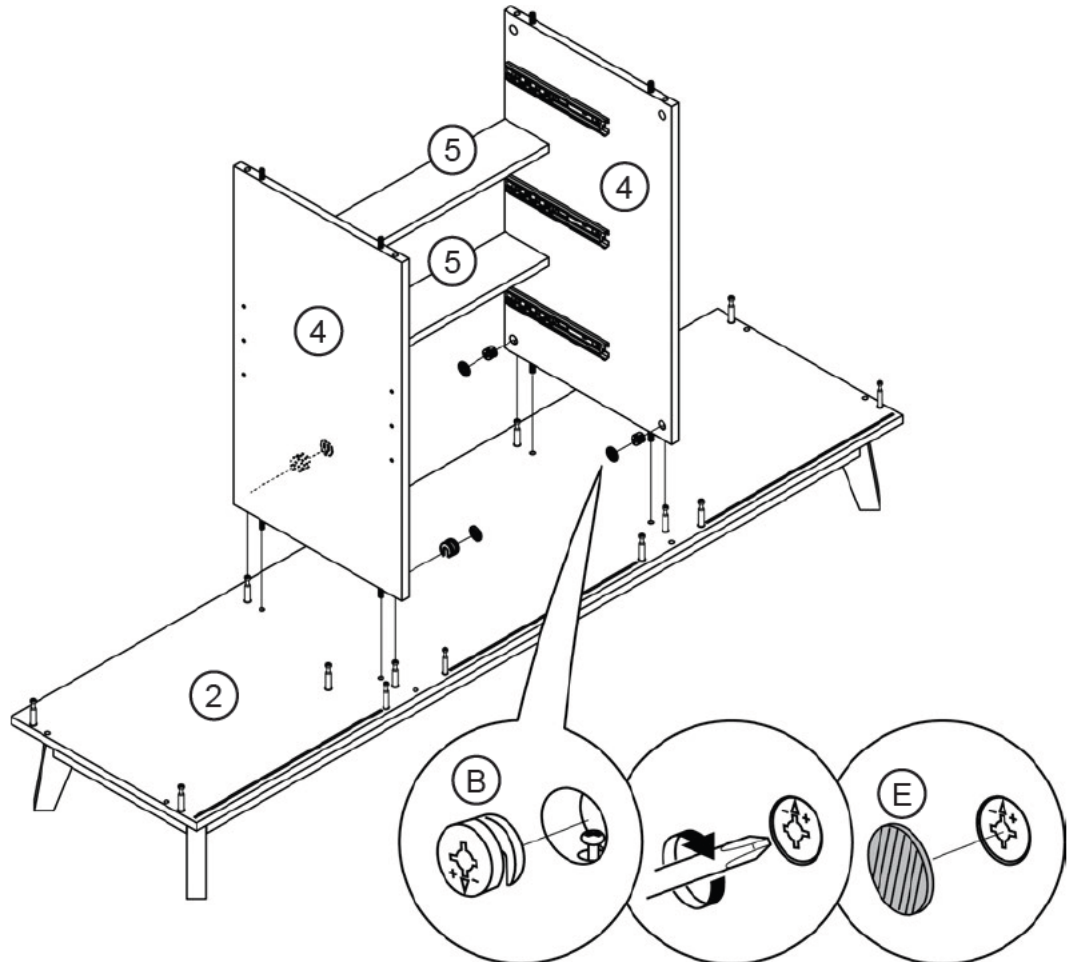
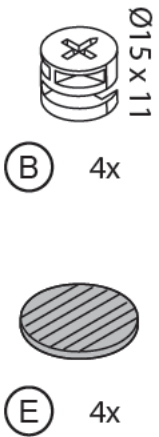
8

Attach cam bolts on top of the bottom panels.



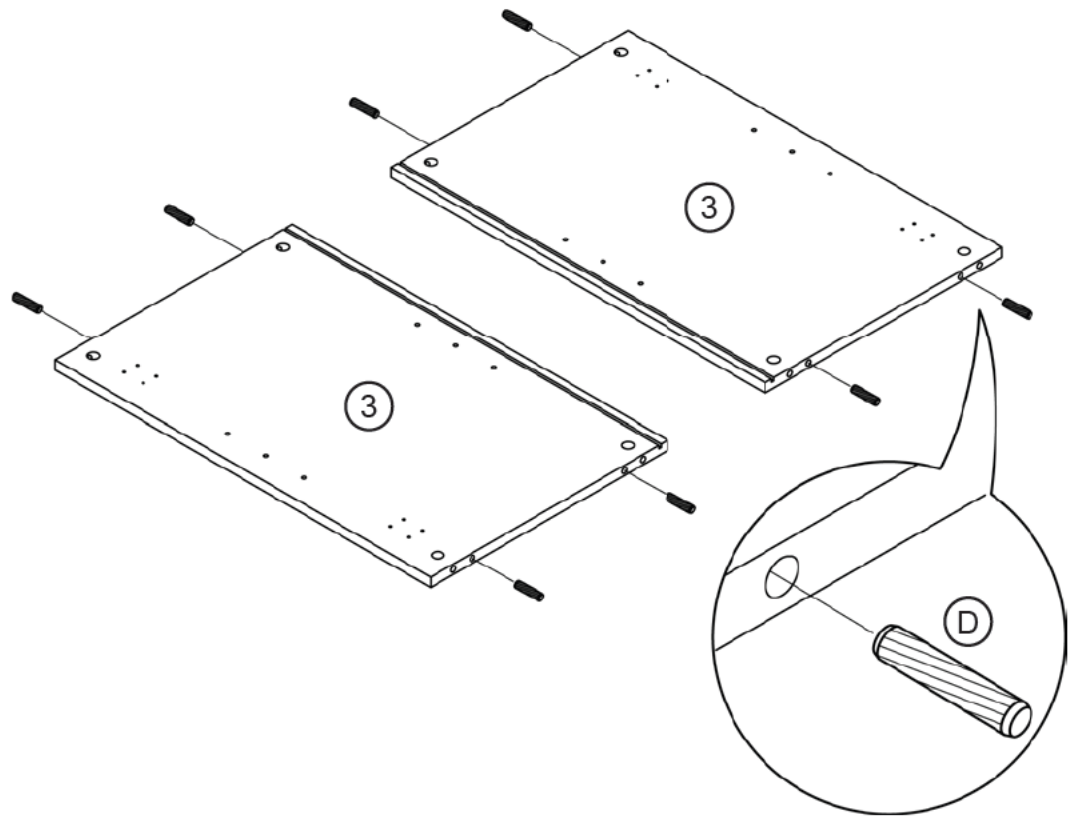
9

Assemble the medial panels on top of the bottom panel.



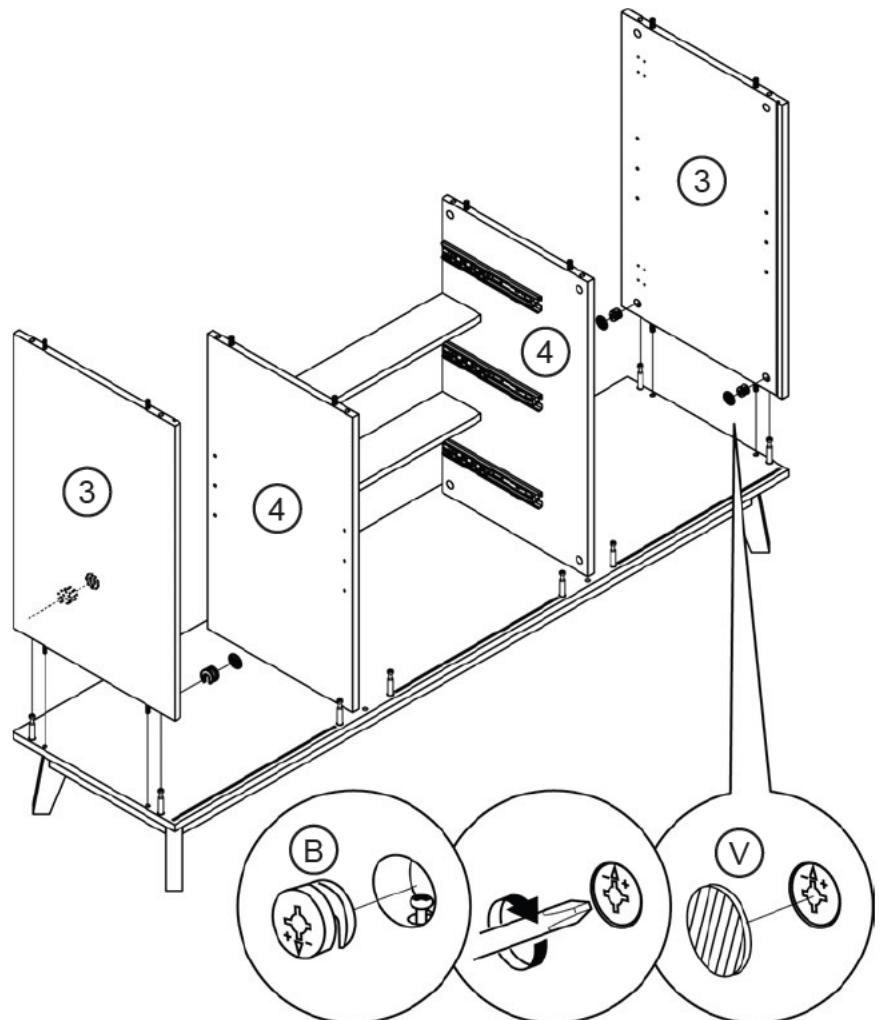
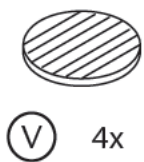
10

Insert wood dowels to the side panels.



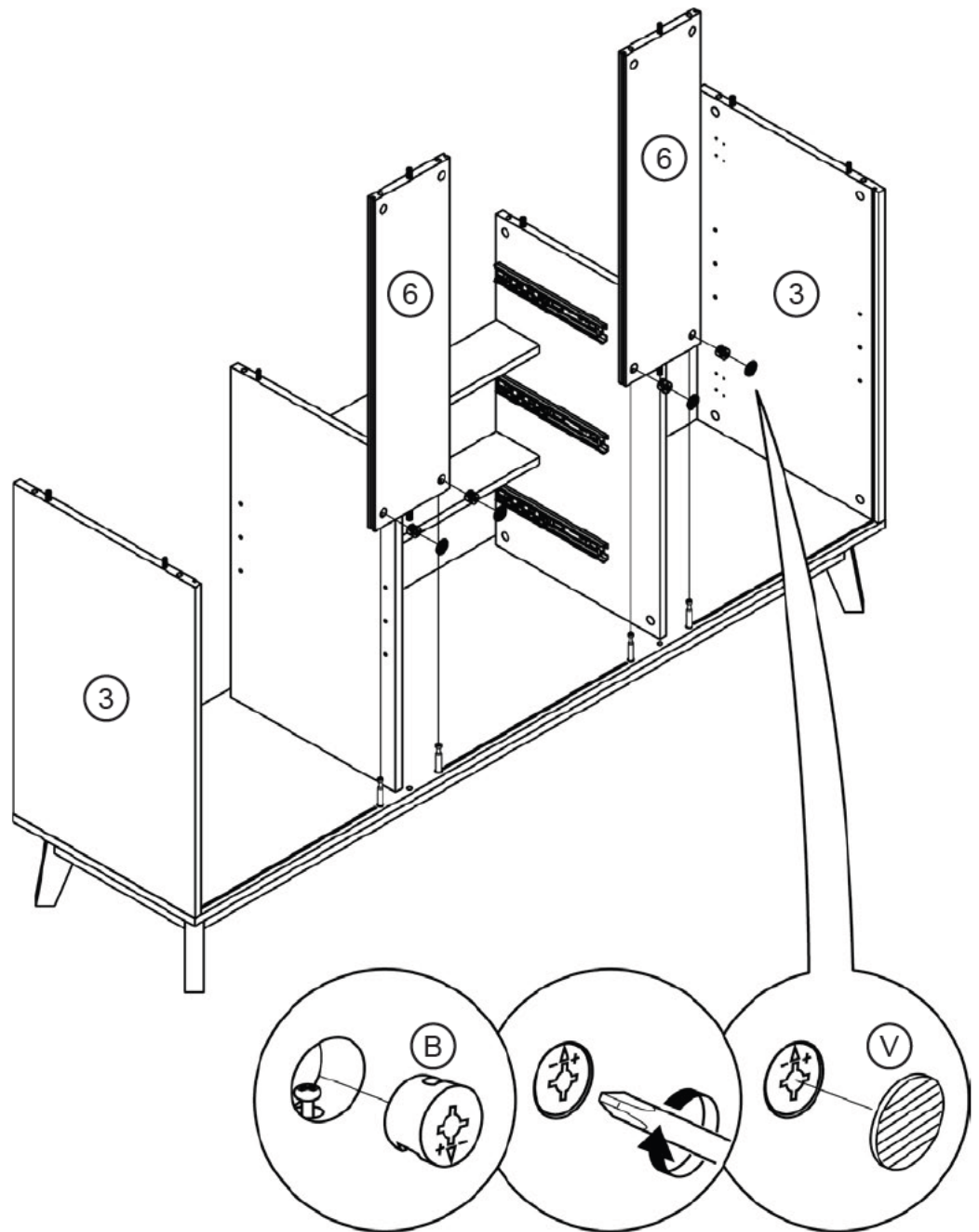
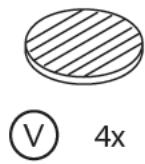
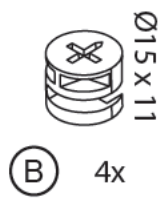
11

Assemble the side panels on top of the bottom panel.



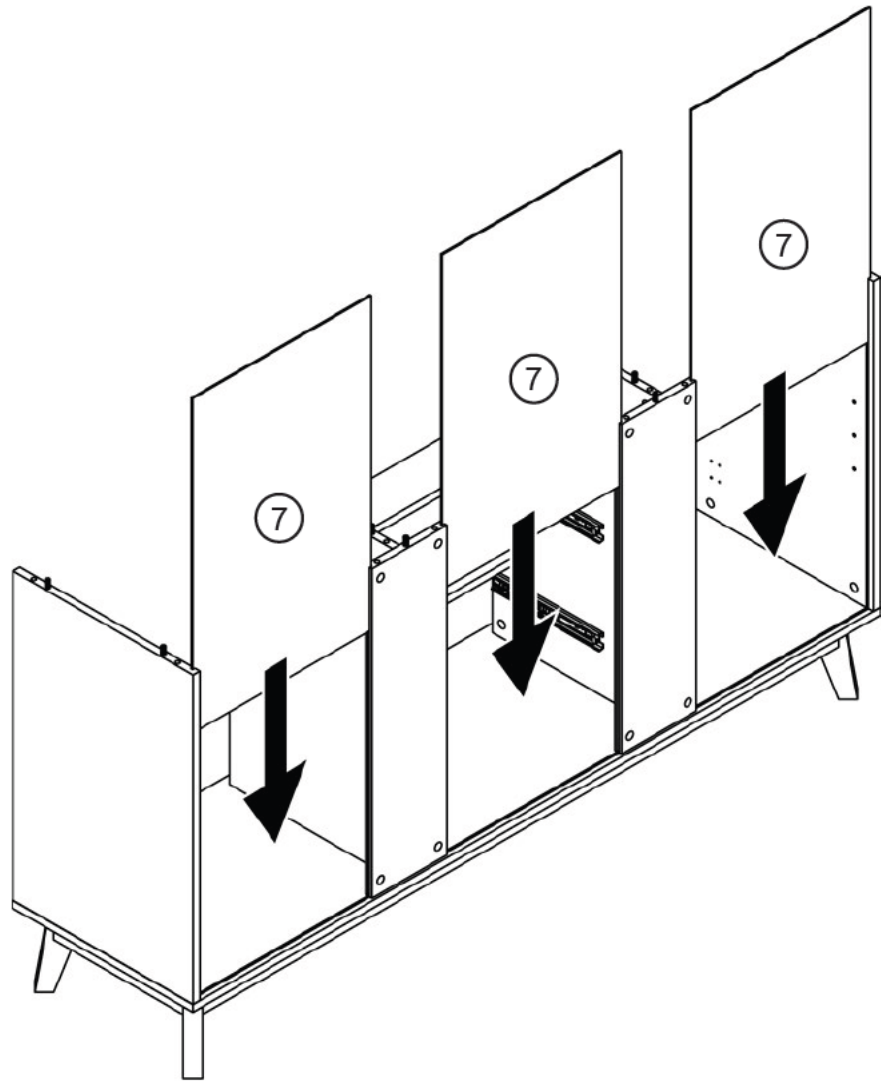
12

Assemble the back support panels on top of the bottom panel.



13

Slide in the back panel into the assembly.

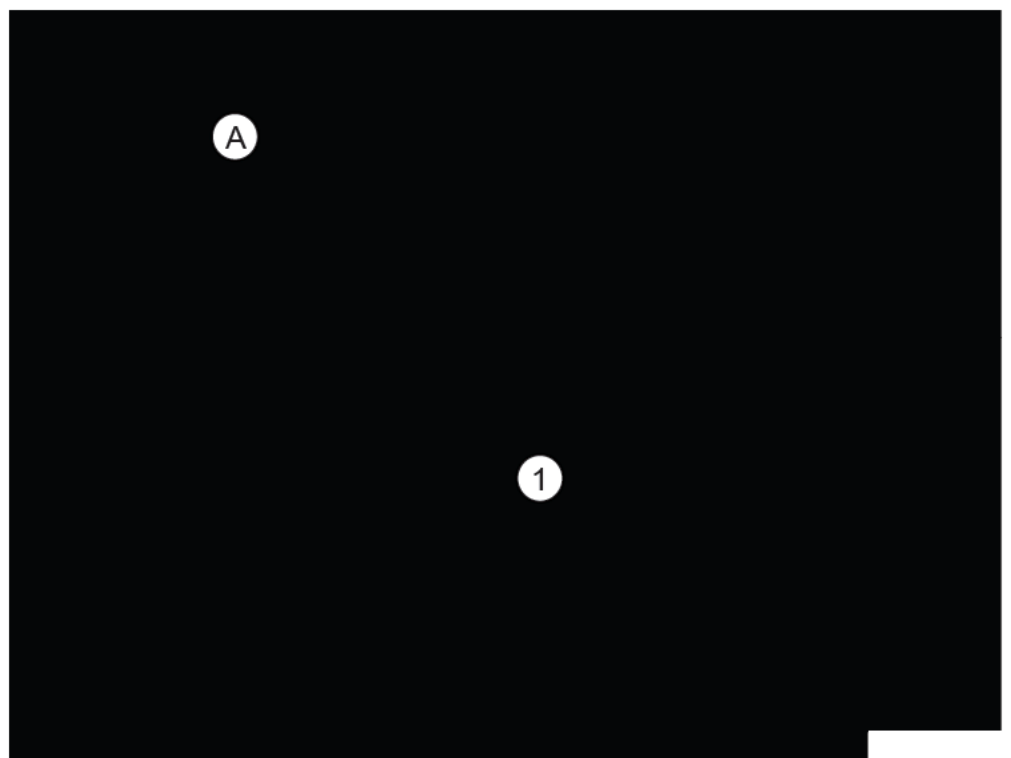


14

Attach cam bolts underneath the top panel.

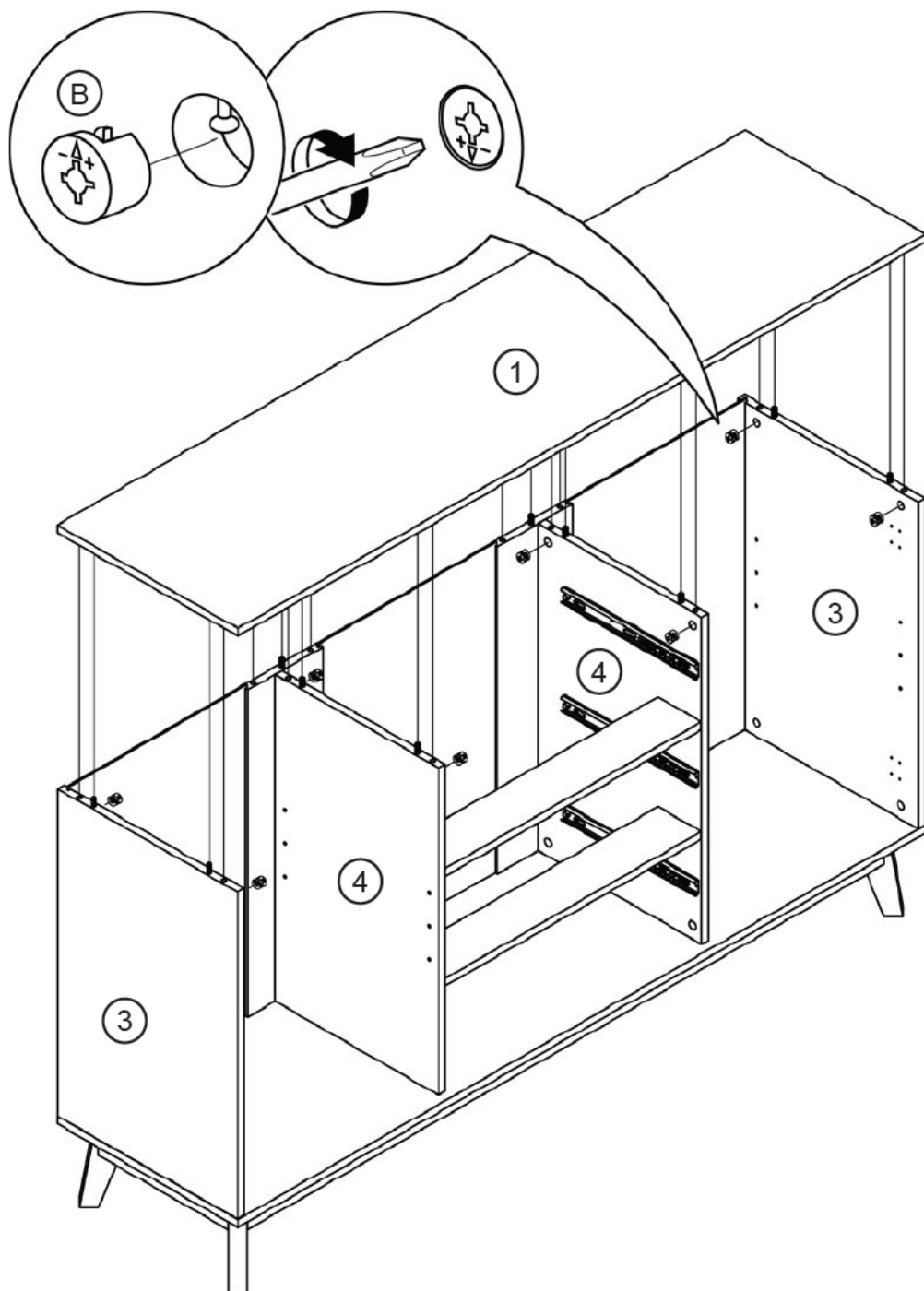


(A) 12x



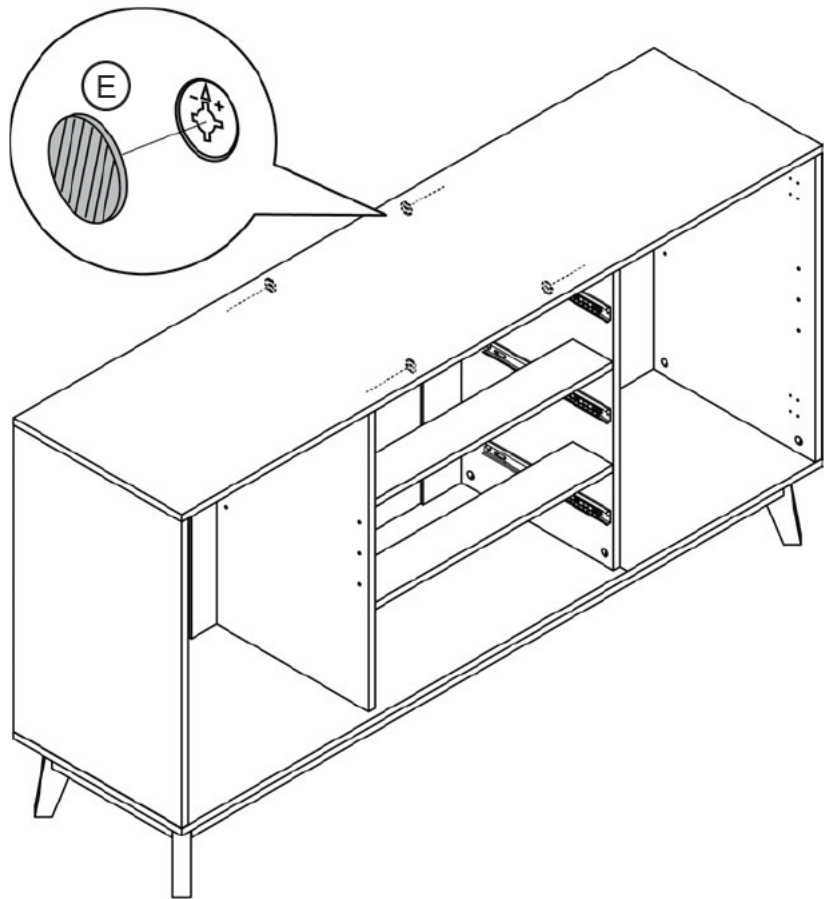
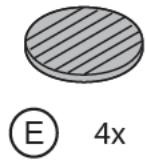
15

Assemble the top panel on top of the sideboard assembly.



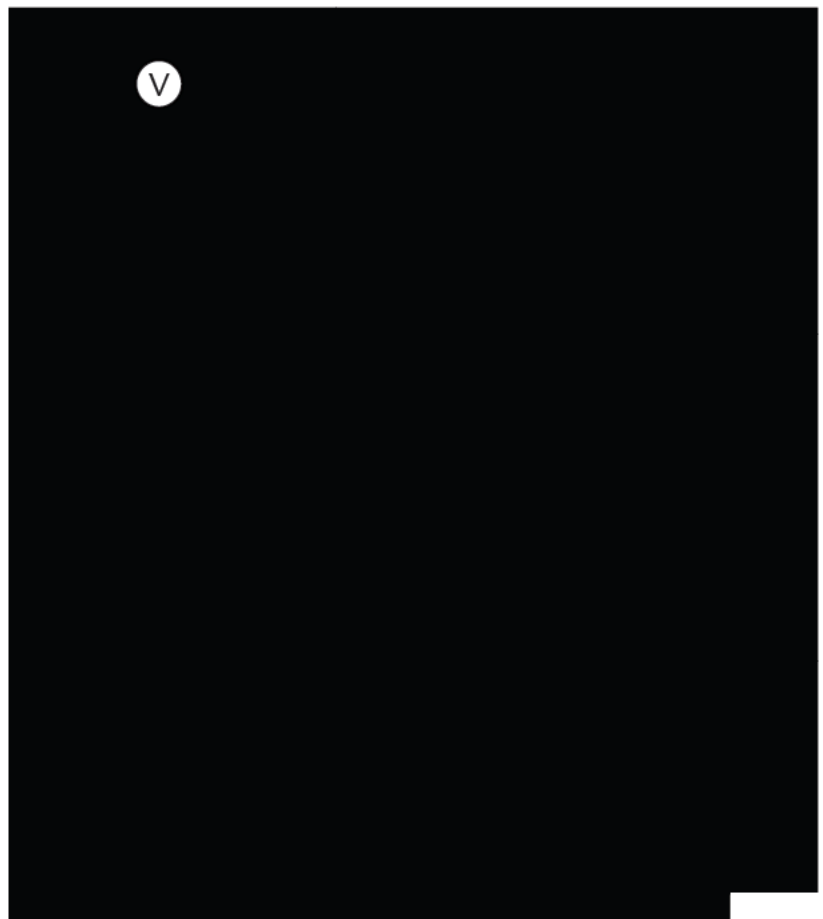
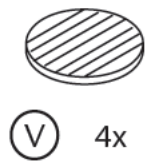
16

Put on the cam lock decorative caps.



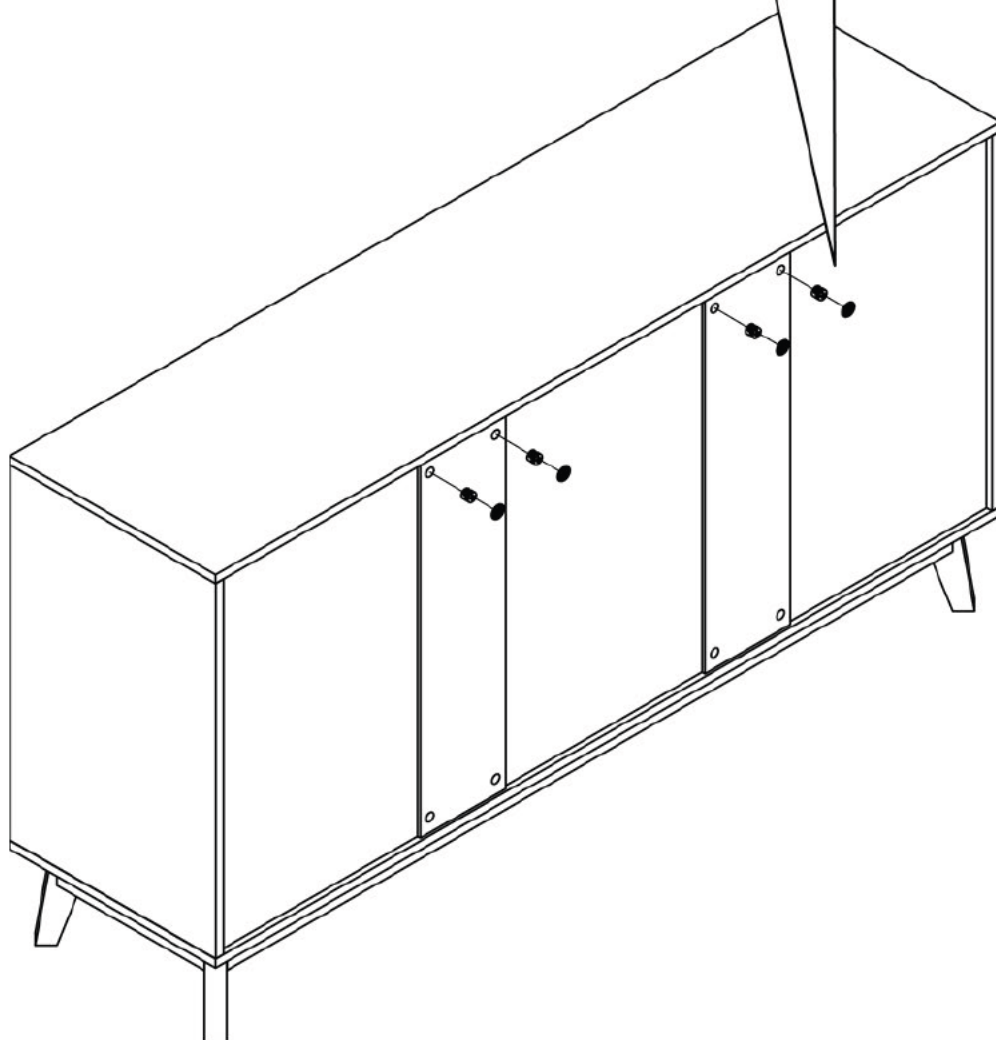
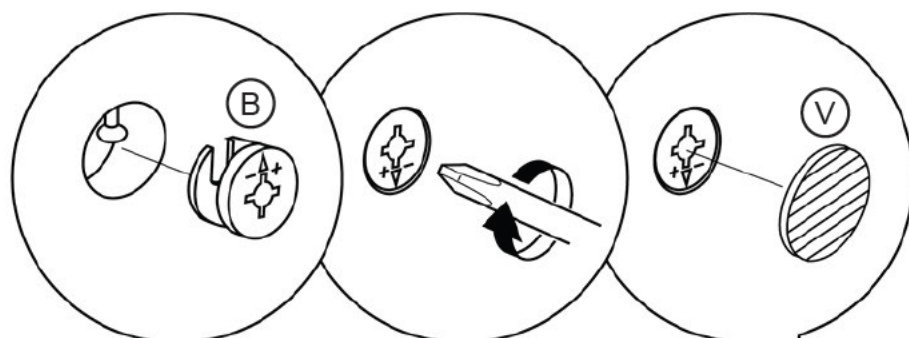
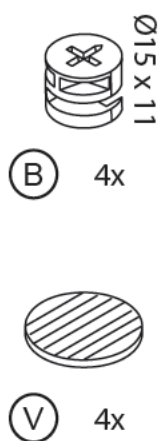
17

Put on the cam lock decorative caps.



18

Secure the back support panels to the top panels.



19

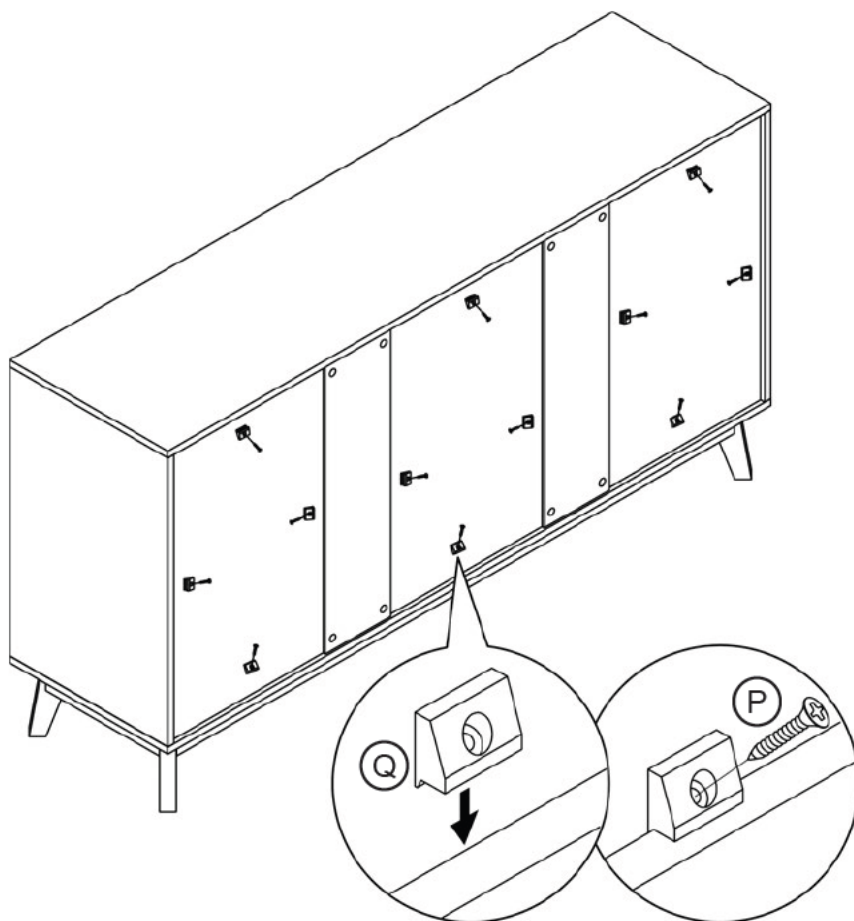
Secure the back panels in place.



(P) 12x



(Q) 12x

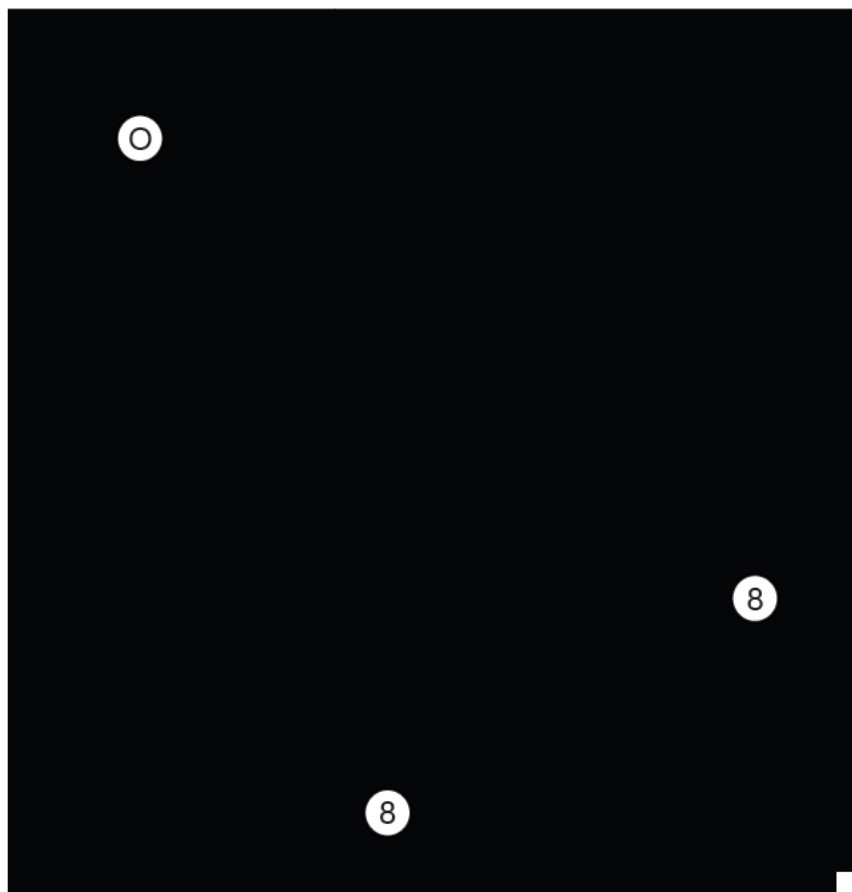


20

Insert shelf pegs into the sideboard and put on the storage shelf panels.



(O) 8x



21

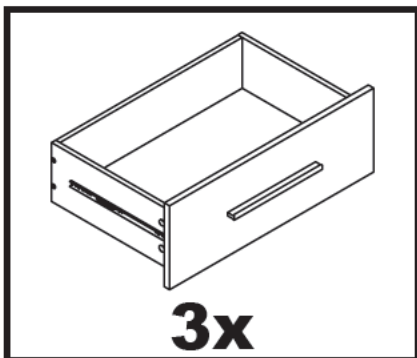
Attach drawer slides to the drawer side panels.



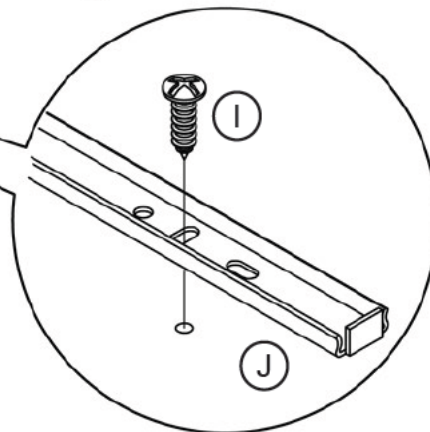
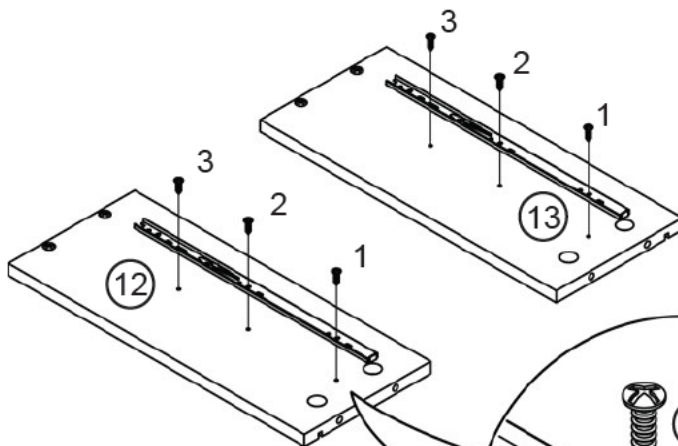
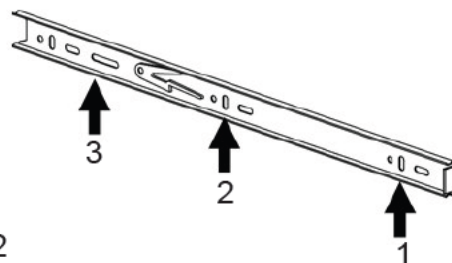
Ⓢ 6x



ⓙ 2x



NOTE: Assemble 3 drawers.

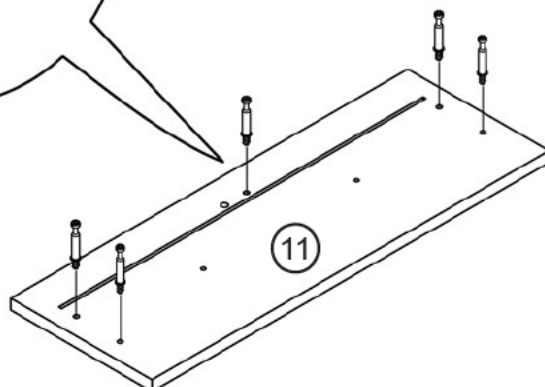
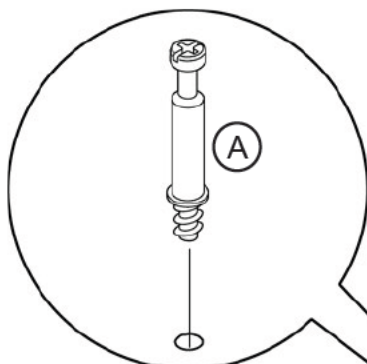


22

Attach cam bolts to the drawer front panels.

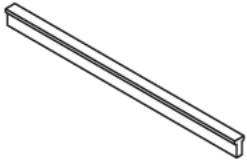


Ⓐ 5x



23

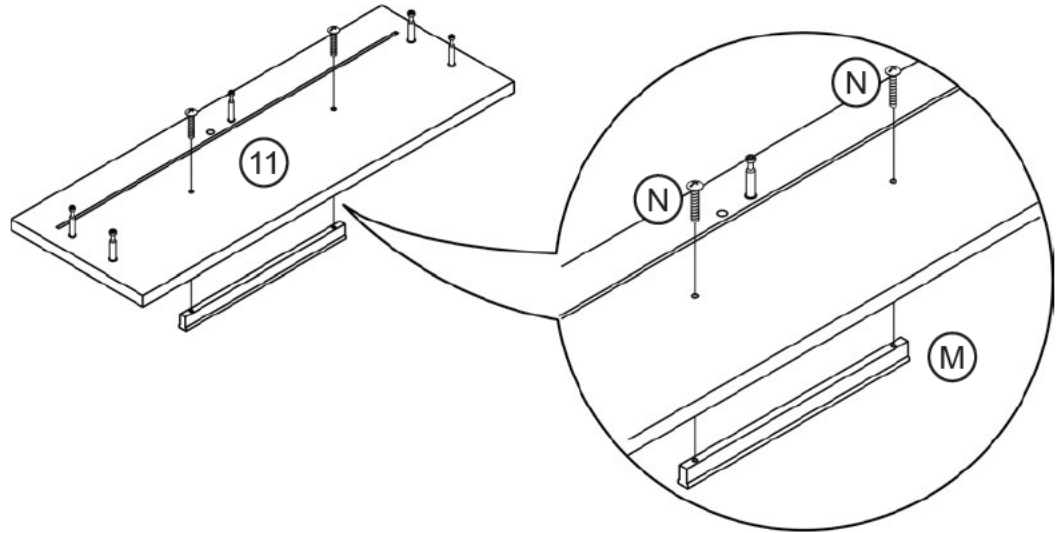
Attach door handle to the drawer front panel.



(M) 1x



(N) 2x

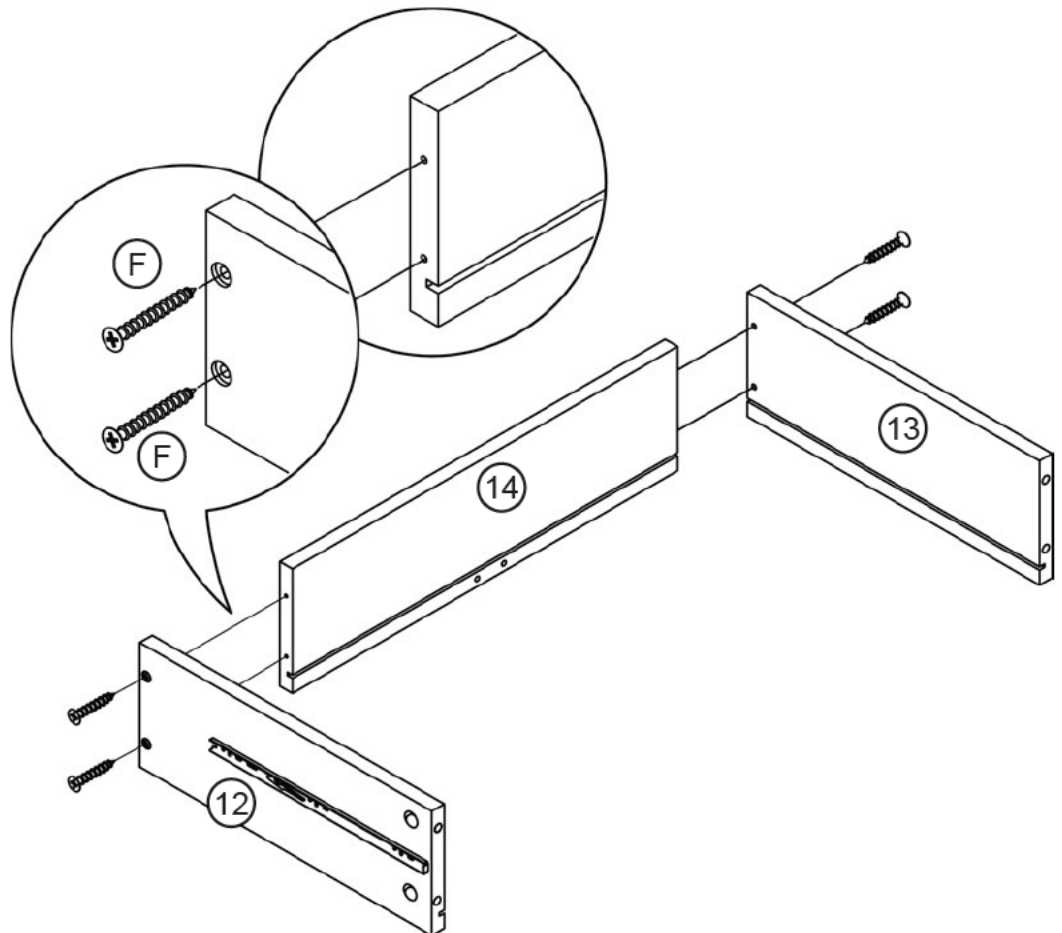


24

Assemble the drawer back panel between the drawer side panels.

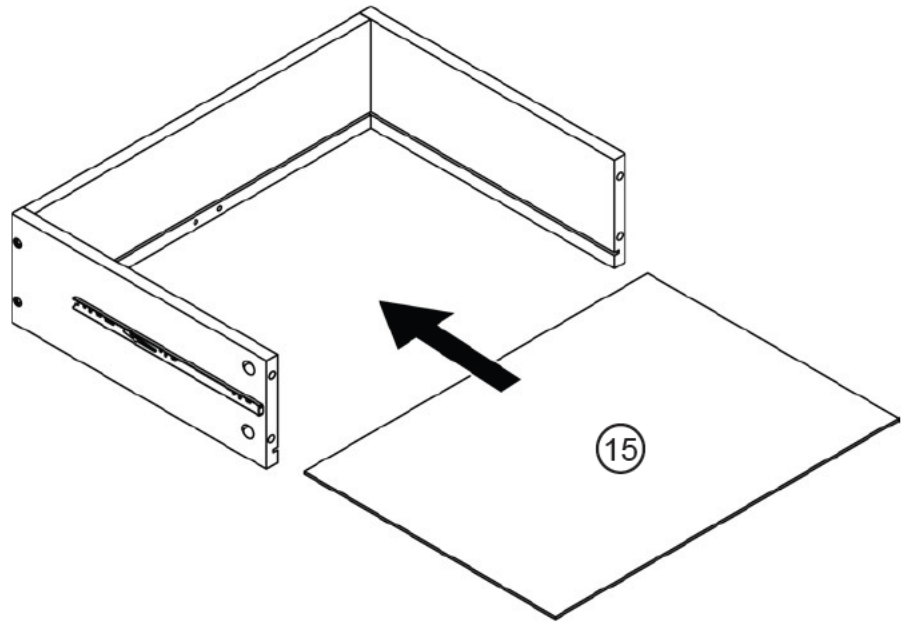


(F) 4x





25

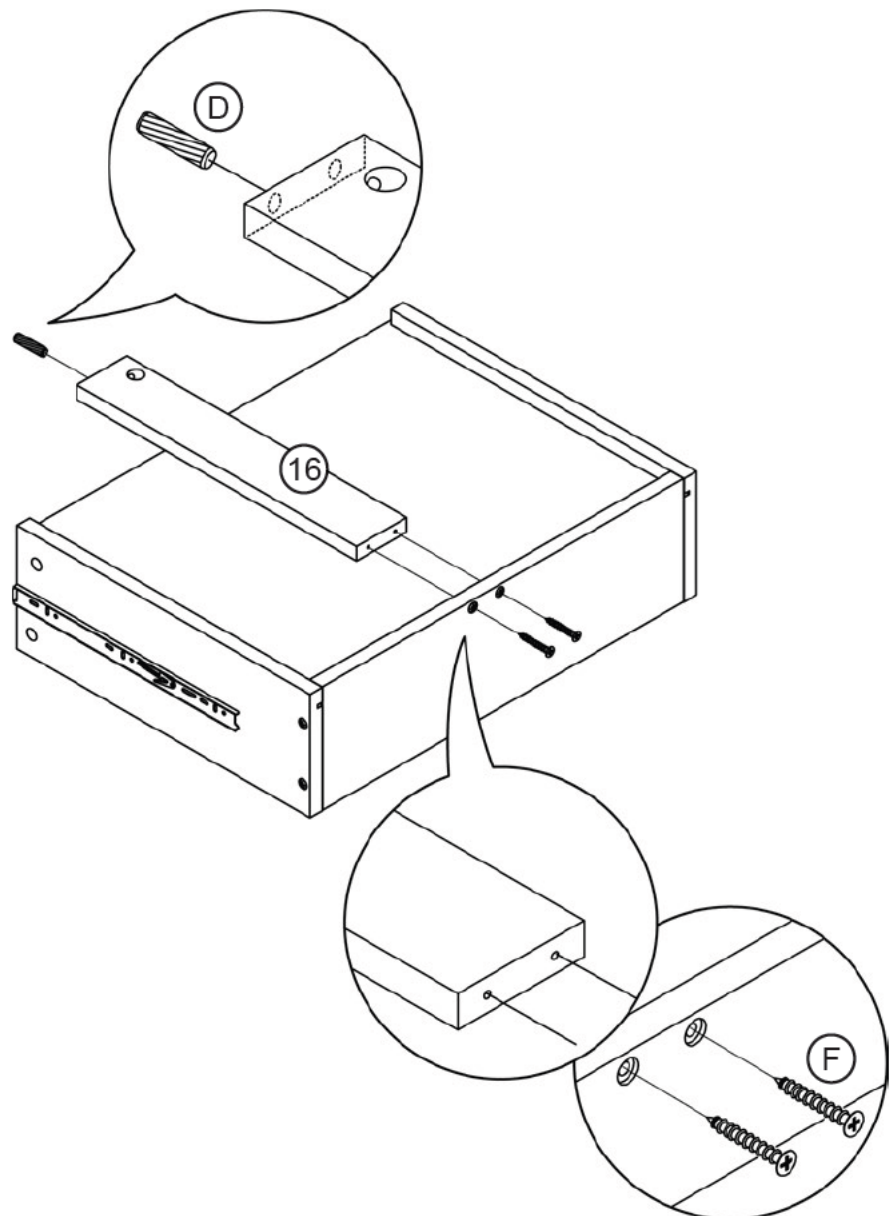
Slide in the drawer bottom panel.



26

Attach drawer support bar underneath the drawer.

- 
D 1x
- 
Ø4 x 30
F 2x

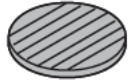


27

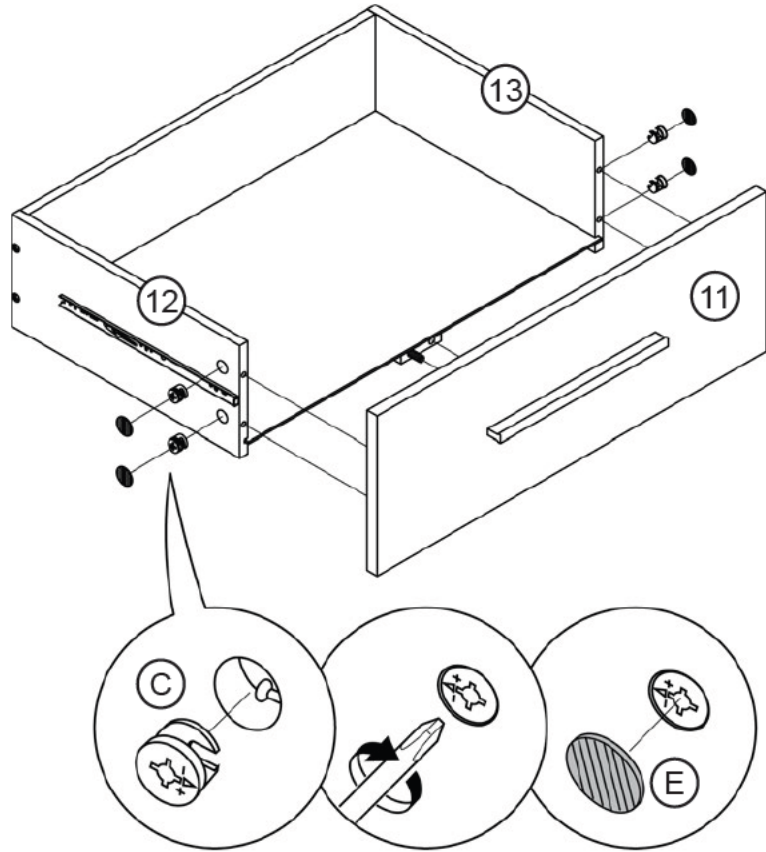
Assemble the drawer front panel to the drawer assembly.



(C) 4x



(E) 4x



28

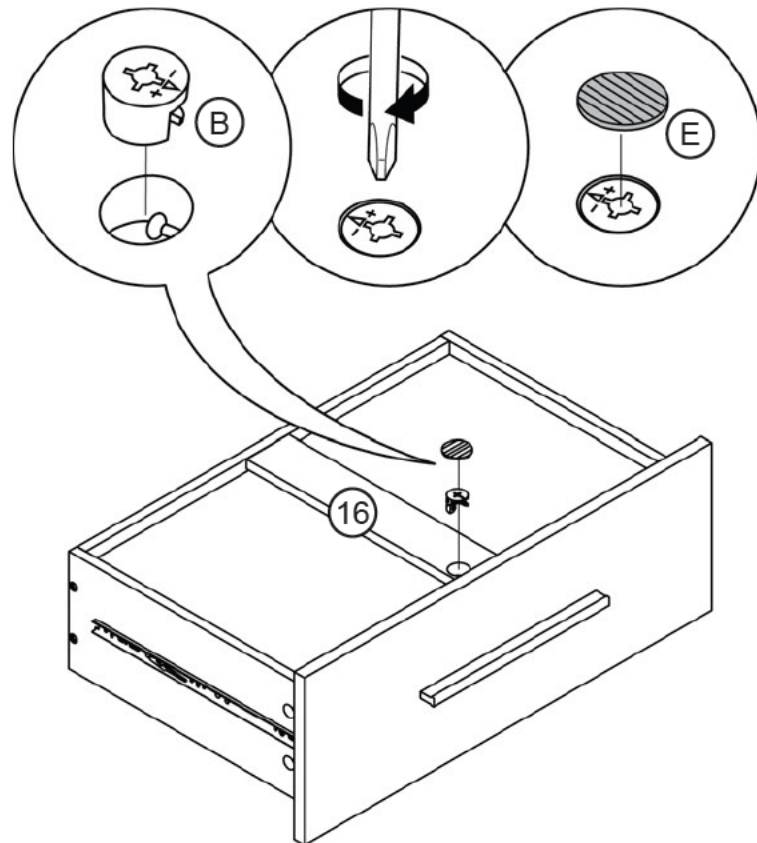
Secure the drawer support bar to the drawer front panel.



(B) 1x

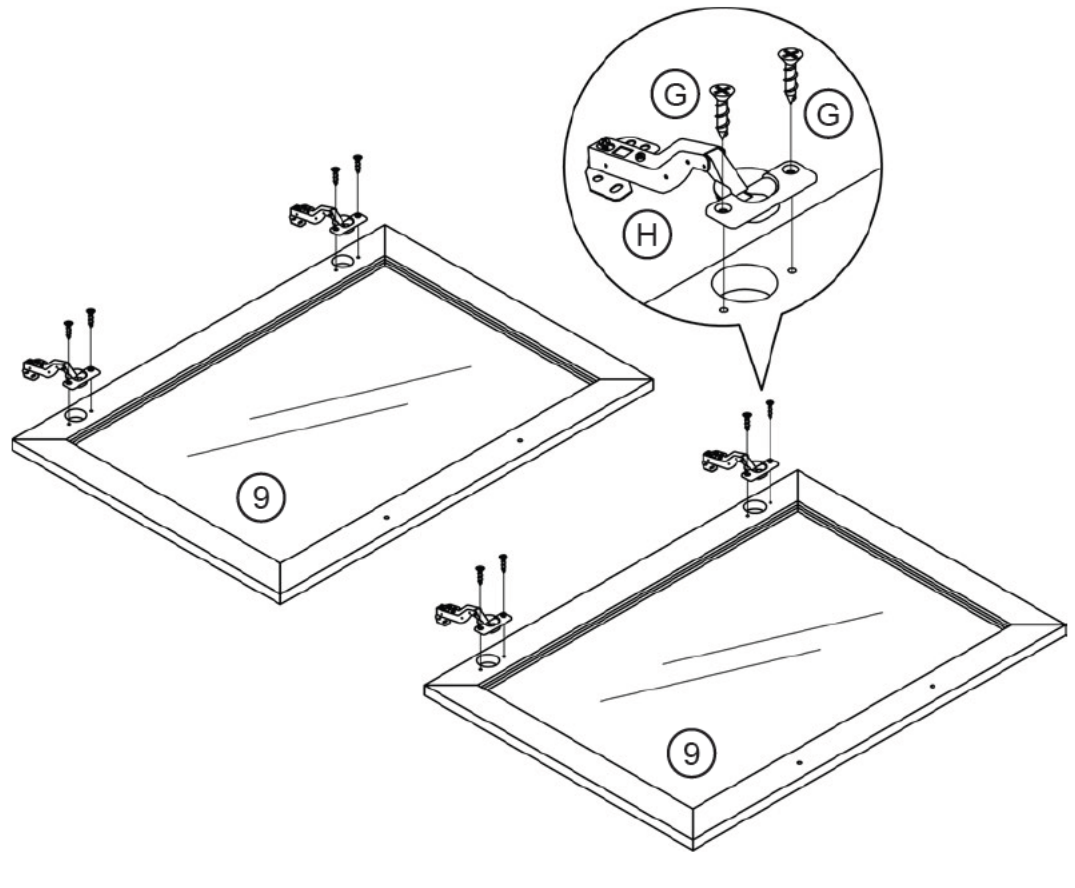
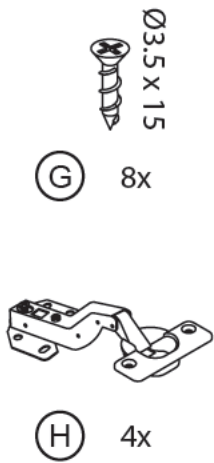


(E) 1x



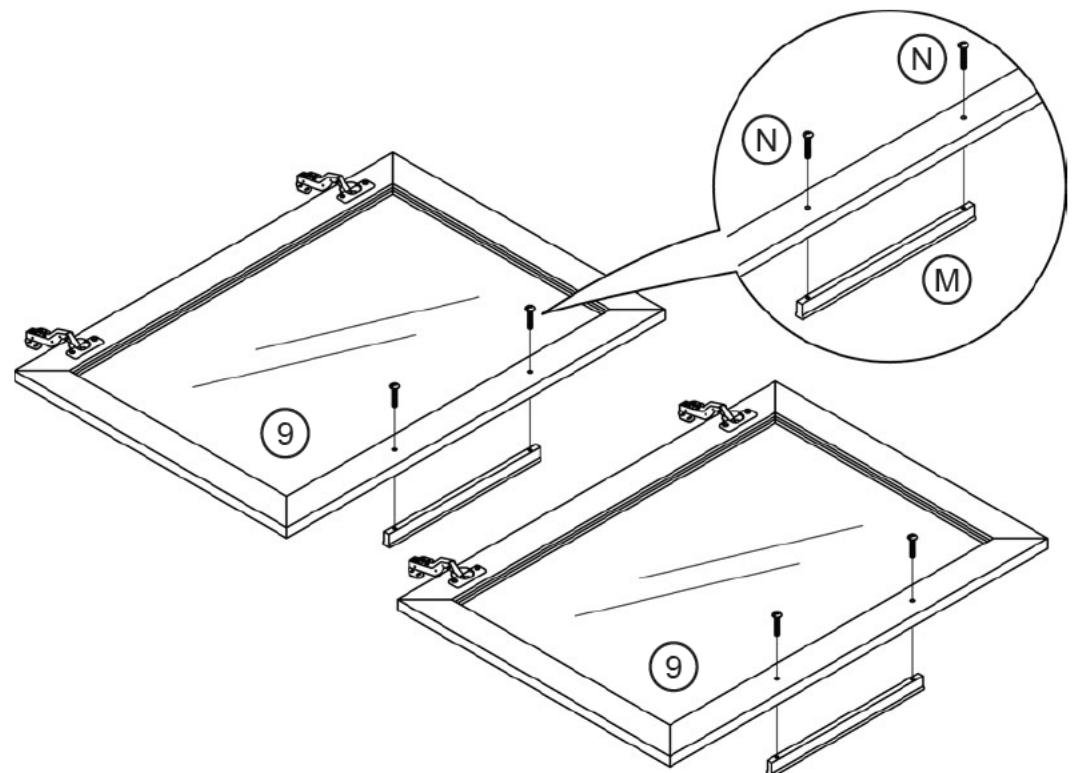
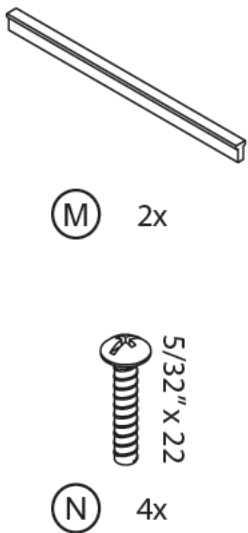
29

Attach door hinges to the cabinet doors.



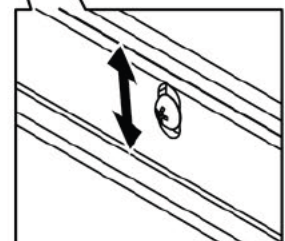
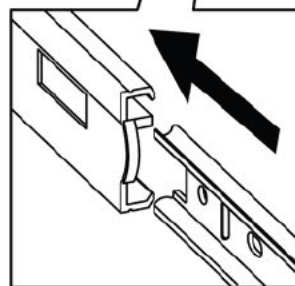
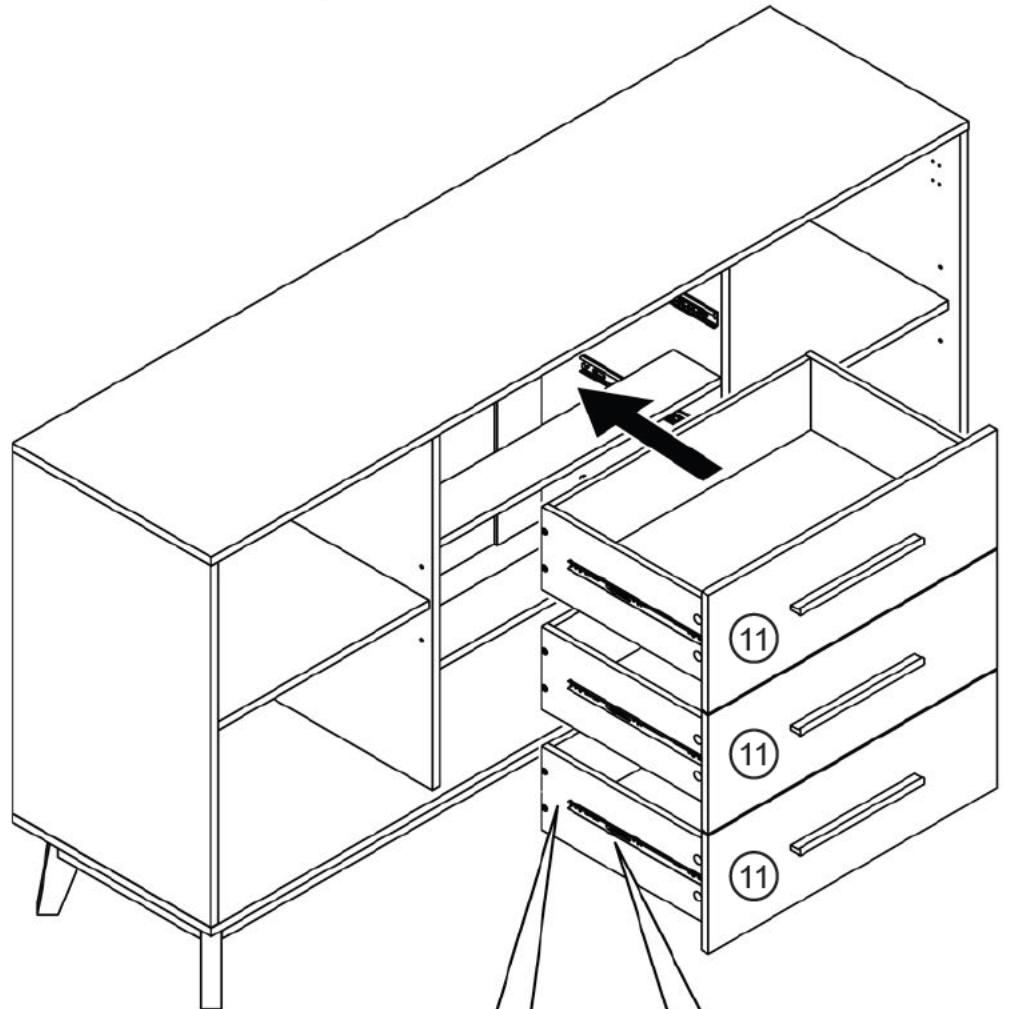
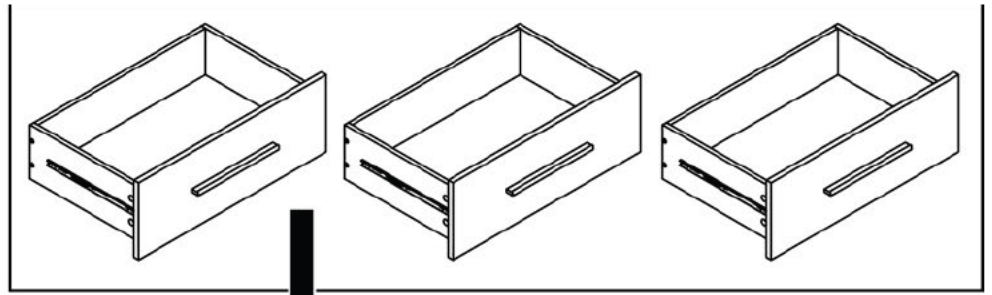
30

Attach door handles to the cabinet doors.



31

Slide drawers into the sideboard.

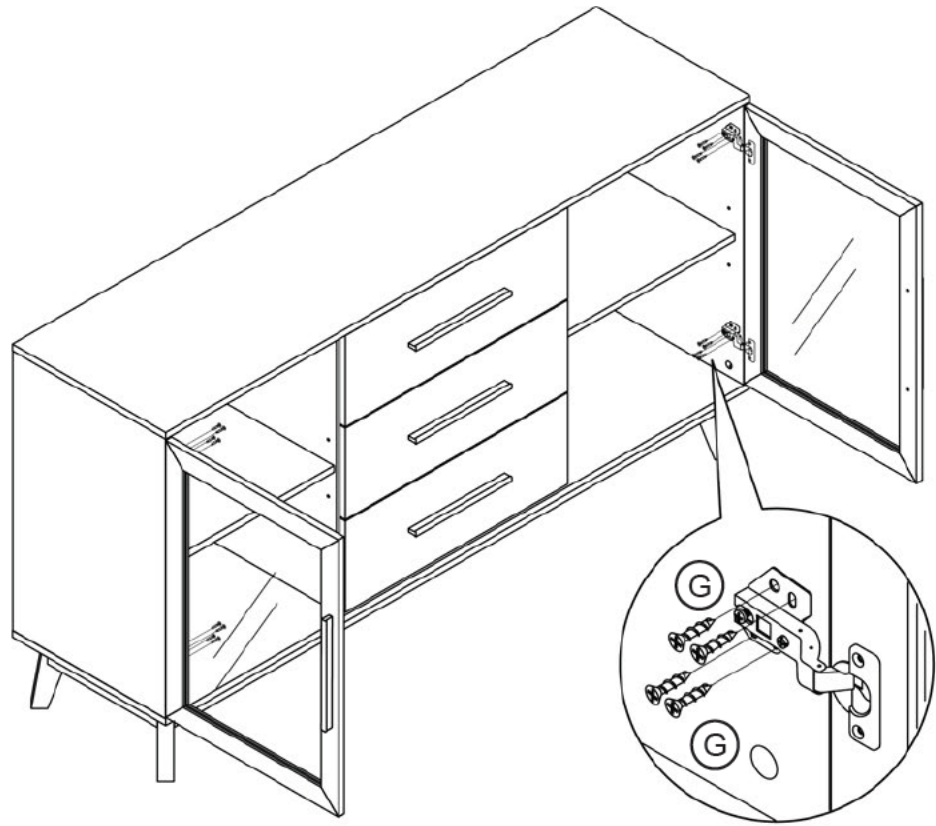


Up and down adjustment by loosening the screws on the drawer slide.

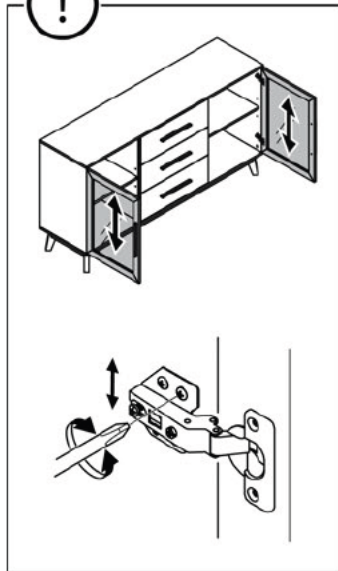
Assemble cabinet doors to the sideboard.



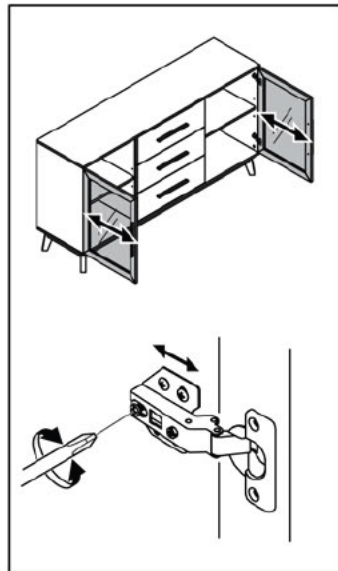
ⓐ 16x



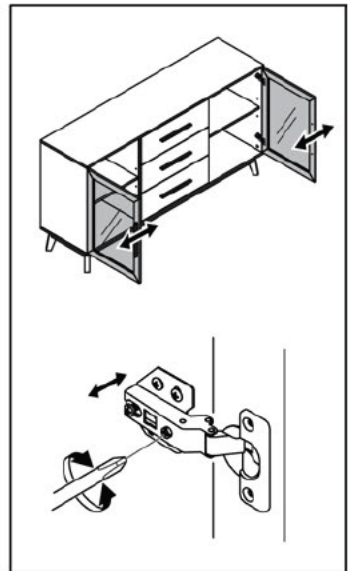
ⓘ Adjust the position of the cabinet doors.



Up and down adjustment by loosening the screws on the mounting plate.



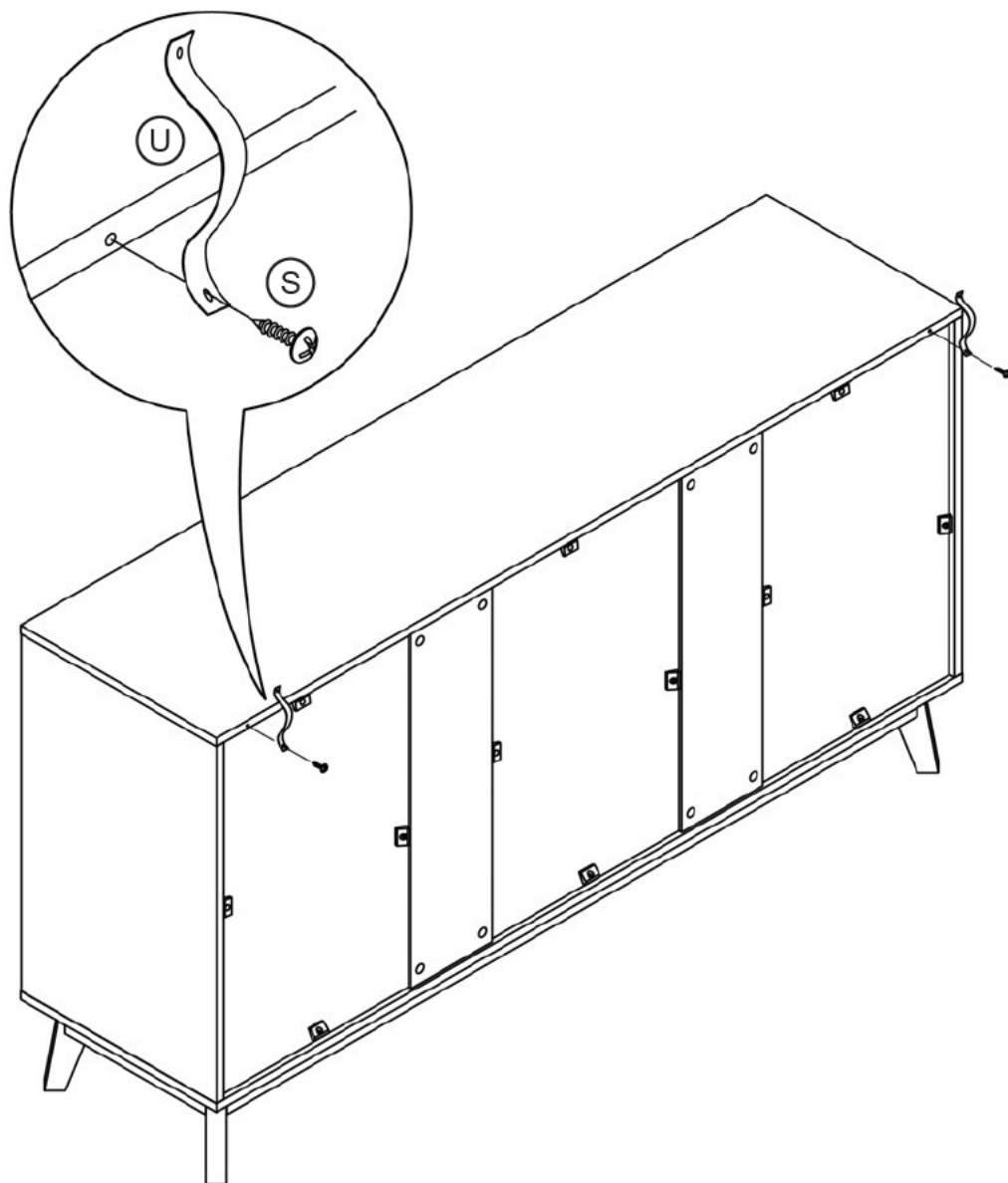
In and out adjustment by loosening the screws on the hinge arm.



Side to side adjustment using the front adjustment screw on the hinge.

33

Attach anti-tip strap behind the sideboard.

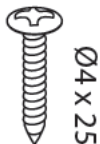


34

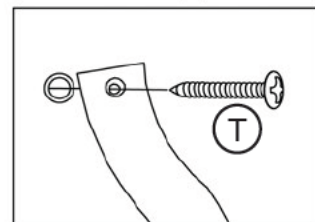
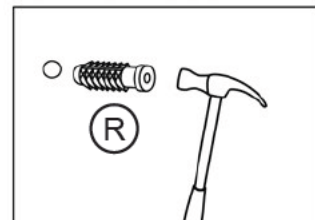
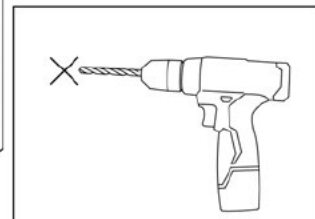
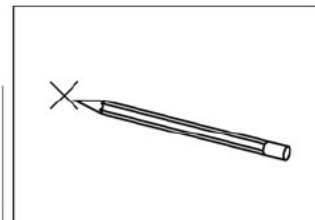
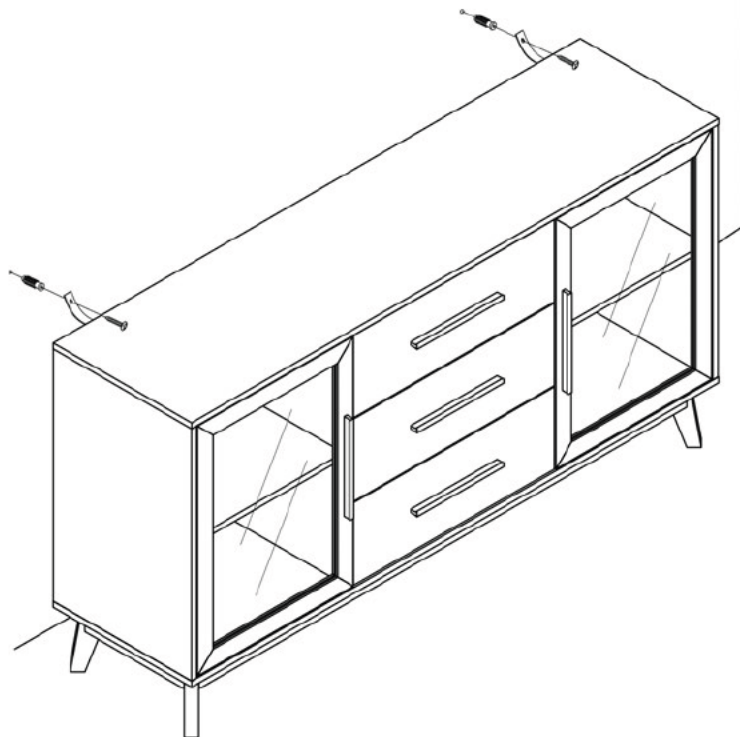
Affix the sideboard to the wall.



(R) 2x



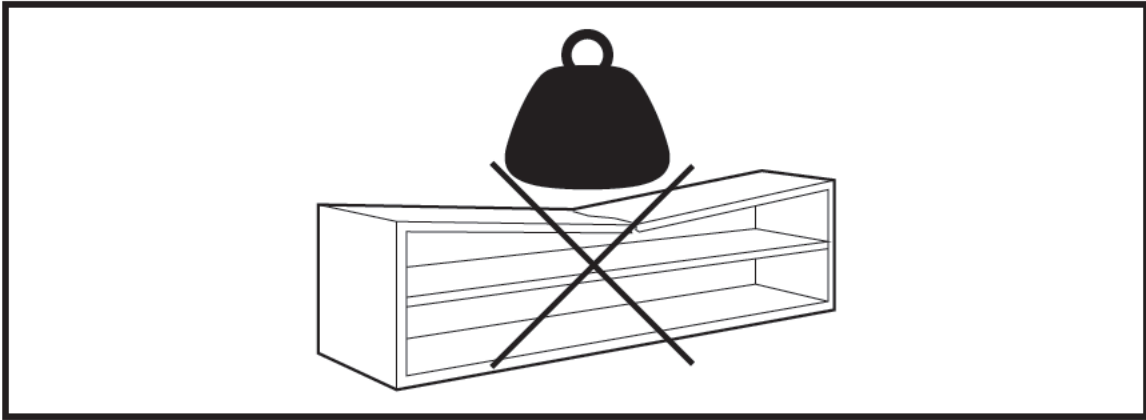
(T) 2x



Furniture must permanently fixed to the wall stud with included anti-tipping device to prevent the furniture from tipping over.

- Mark the drill position on the wall with a pencil.
- Drill a small hole on the marked position.
- Insert a wall anchor into the drilled hole.
- Fixed the anti-tipping strap to the wall with provided screws.

YOU'RE FINISHED!

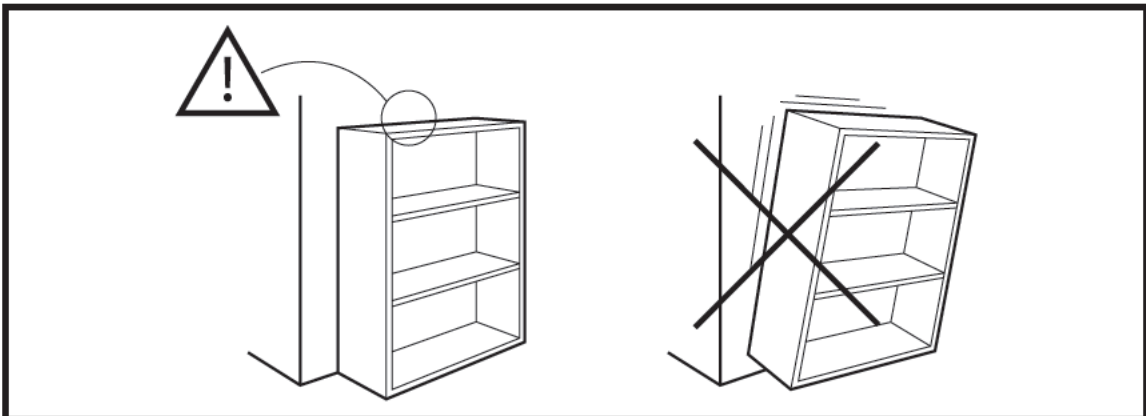


Warning

Only place items on top of the product if they meet the recommended size and weight limits.

Climbing on, stepping on, or placing overweighted objects on the product may cause property damage and/or injuries.

Items placed onto this product must be resting on a support surface without hanging over the edges.



Warning

Serious or fatal crushing injuries may occur if the furniture tip-over. Furniture must permanently affixed to the wall with included anti-tipping device in order to prevent the furniture from tipping over.

Different wall materials requires different types of wall anchors or screws. Use a suitable wall anchors or screws for your specific wall in order to secure the stability and load bearing capacity of the furniture. If you are uncertain about which type of device to use, please contact us or your local hardware store.

Thank you for your purchase. We want your item to last as long as possible. To ensure the product gives you years of longevity, please follow the recommendations in this care and maintenance guide.



MAINTENANCE

- Tighten all bolts and screws again within the first 2 weeks of assembly.
- Check the tightness of all bolts every 2 months and tighten them if necessary.



CLEANING

- Clean the surface of the MDF (medium - density fiberboard) with a lightly dampened cloth.
- A small amount of mild soap can be used if necessary.
- Dry the surface immediately after cleaning.

- ⚠ DO NOT use bleach or alcohol to clean the surface.
- ⚠ DO NOT apply wood treatment on parts made with MDF.

MDF will swell and distort when exposed to water damage. Make sure to dry the furniture immediately after cleaning.

⚠ WARNING

The manufacturer and seller are not responsible for any and all liability relating to personal injury, property damage or losses, whether direct, indirect, or incidental, resulting from the incorrect attachment, improper use, inadequate maintenance, unapproved modification or neglect of this product.