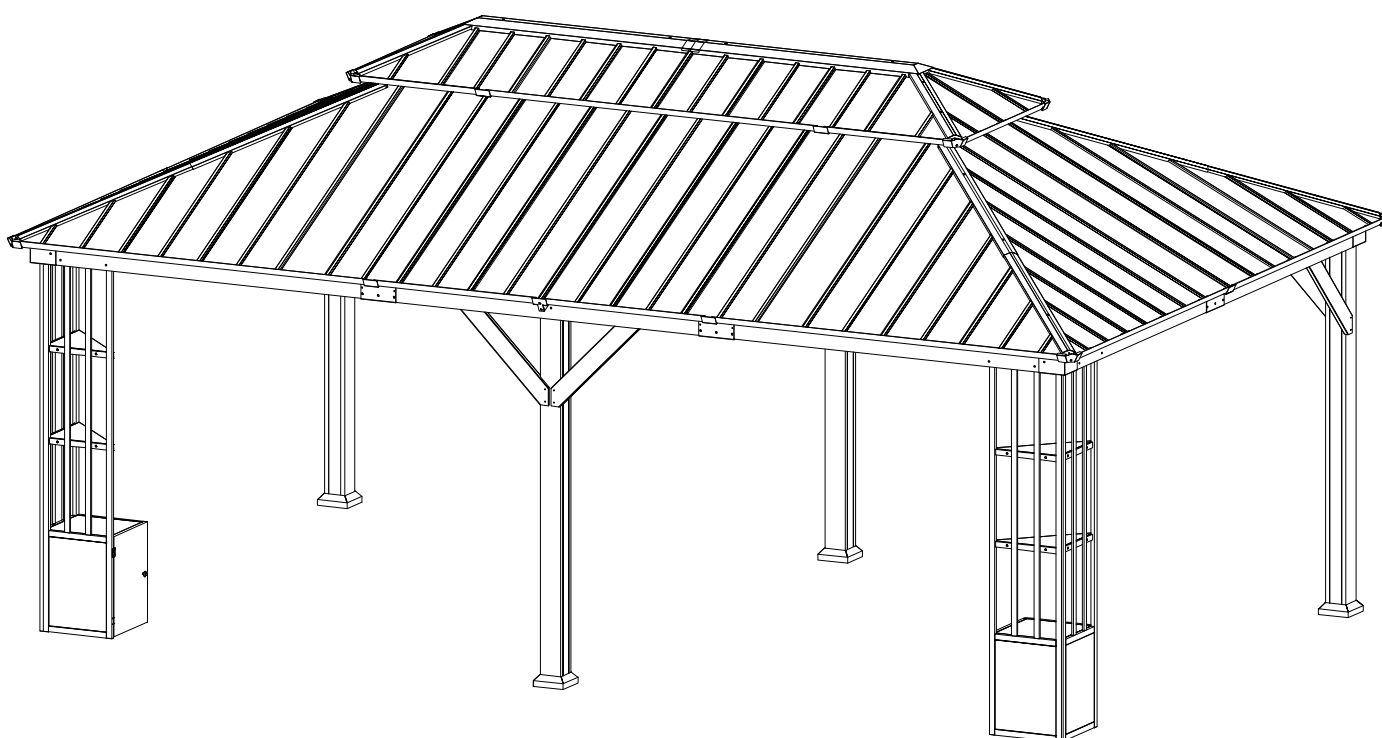


1220 Double Metal Roof Gazebo With Wooden Legs

If you have any questions about the 1220 Double Metal Roof Gazebo With Wooden Legs, please feel free to contact us.

Customer Service Email: Service@alaulm.com



P25115-D1

IMPORTANT

PLEASE READ BEFORE YOU COMMENCE ASSEMBLY

Follow the guidelines in this user guide to ensure correct assembly and care for this product.

Catalog

Specifications..... 02

Notice And Warning 03

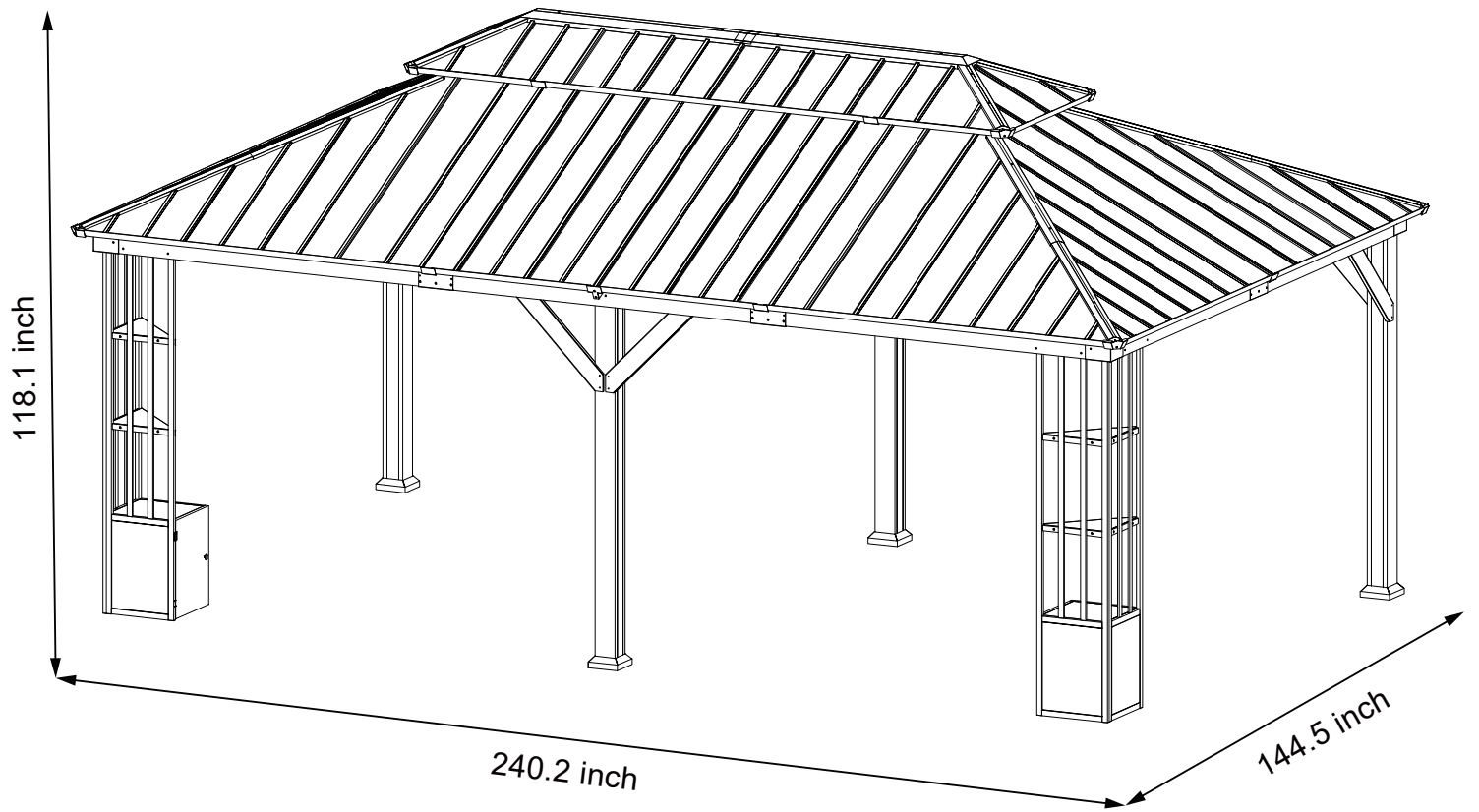
Exploded Views 05

Parts List..... 10

Screw List..... 14

How to Assemble Gazbo..... 15

SPECIFICATIONS



NOTICE 

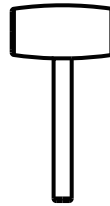
Note: The gazebo needs to be installed in cooperation with two people. The following tools are not included and needed for assembly:



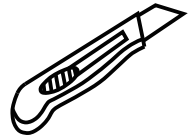
Pistol Drill



Tape Measure



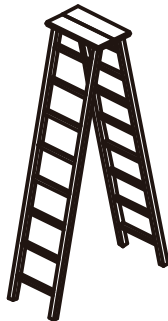
Rubber Hammer



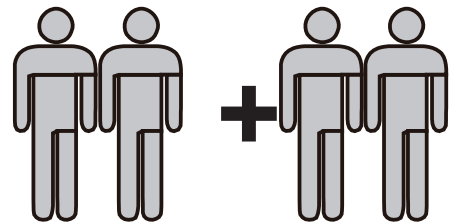
knife



Screw Driver



2 m Adjustable Ladder



2-4 people

Warning

1. This pavilion requires the cooperation of 2-4 people.
2. Please take appropriate actions as heavy rain, wind and snow can damage the gazebo. If necessary please disassemble and store it for later use.

PLEASE RETAIN THESE INSTRUCTIONS FOR FUTURE REFERENCE.**Dear Customer,****Thank you for shopping from us!**

When you receive the product, please make sure that all the parts are intact. Then please browse the entire installation manual before assembling.

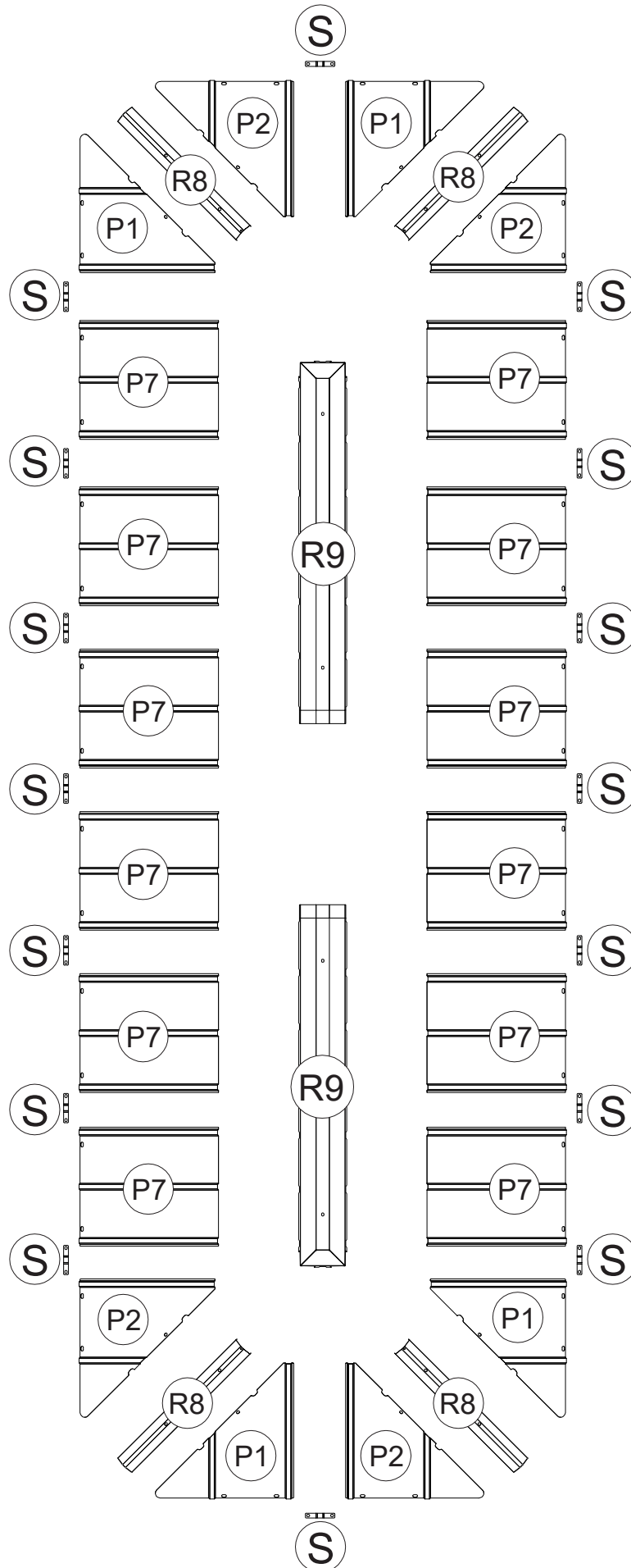
If any problem occurs unsatisfactorily as follows :

- A.The outer box is damaged
- B.The product is damaged / bent / cracked while you open the box
- C.The parts / accessories / assembly tools are missing
- D.The product is hard to assemble
- E. The instructions are not clear and can not be referred
- F.The product has functional problems
- G.Other aspects that you are not satisfied with

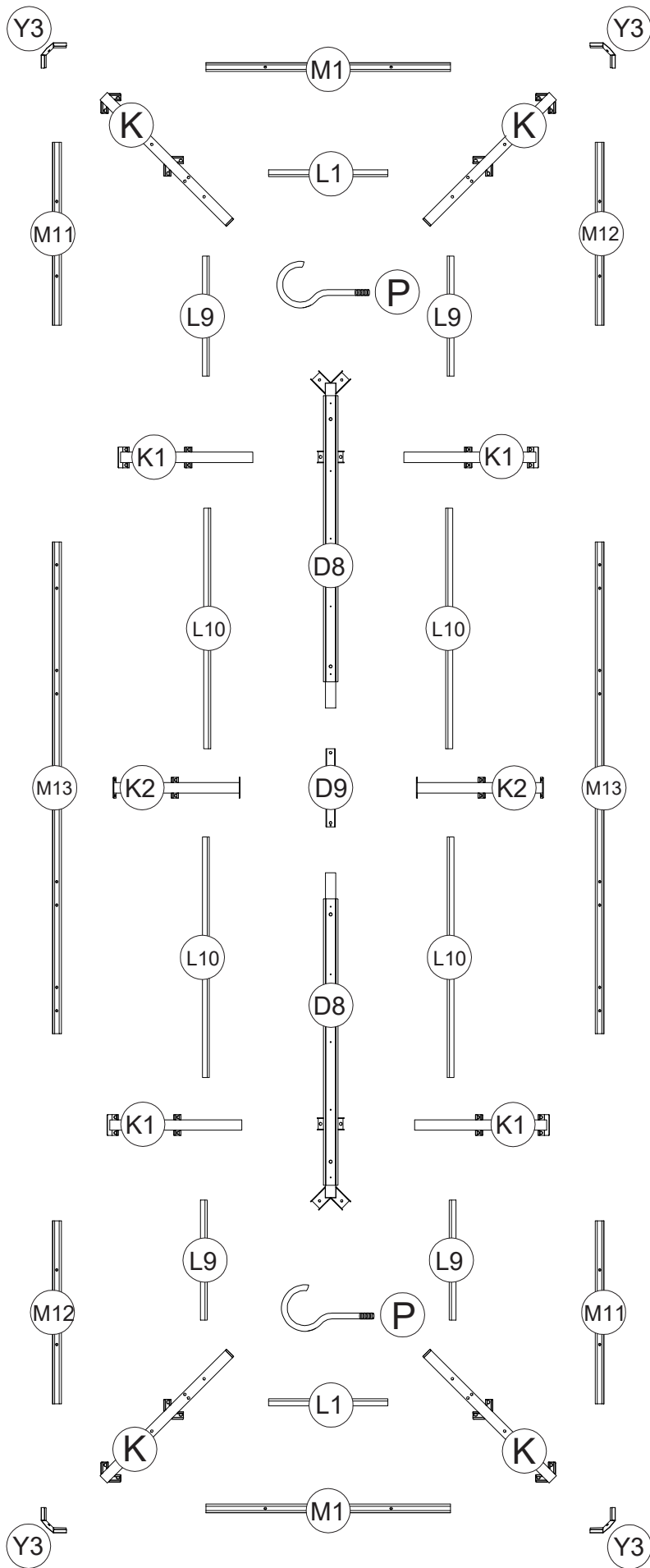
Attention:

- 1.Please fix all the screws first,do not lock them off,after assembling is fully completed, lock all at once finally.
- 2.Please check the manual carefully and make sure you have received all the parts.
- 3.If there is any missing,please let us know the letter of the parts you need.
- 4.If there is any damage,please send clear photos to us,and we will check and offer you best solution soon.

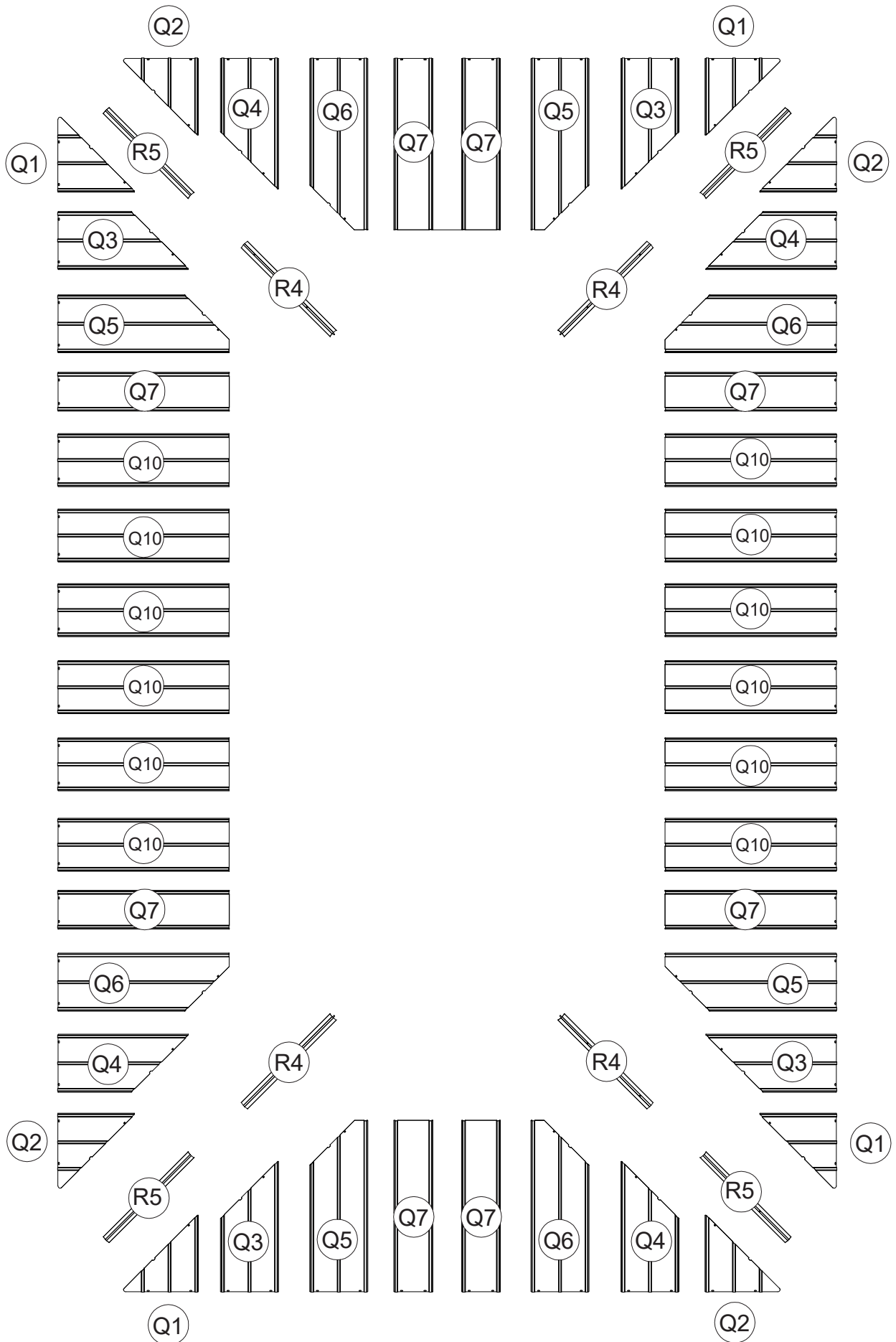
EXPLODED VIEWS



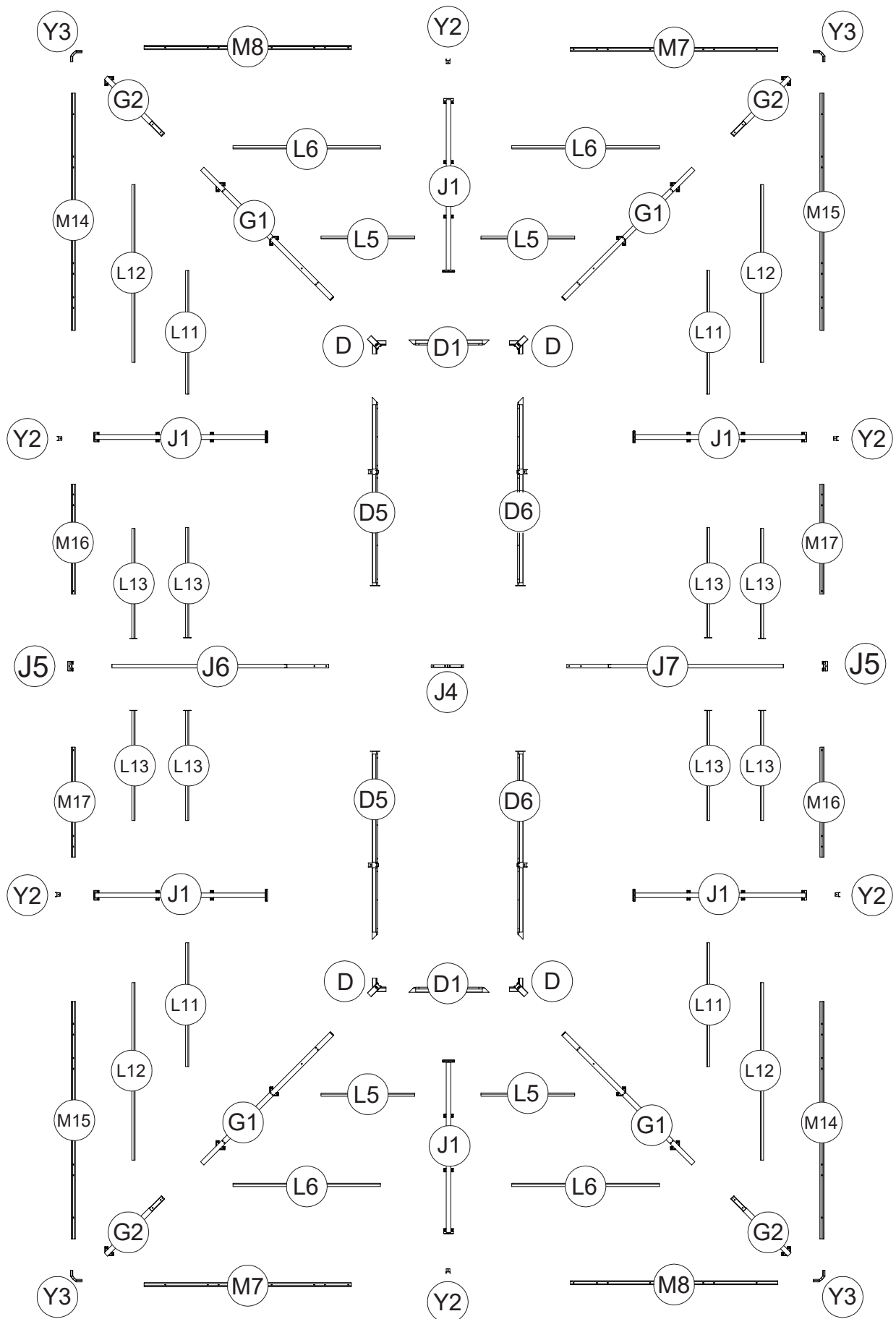
EXPLODED VIEWS



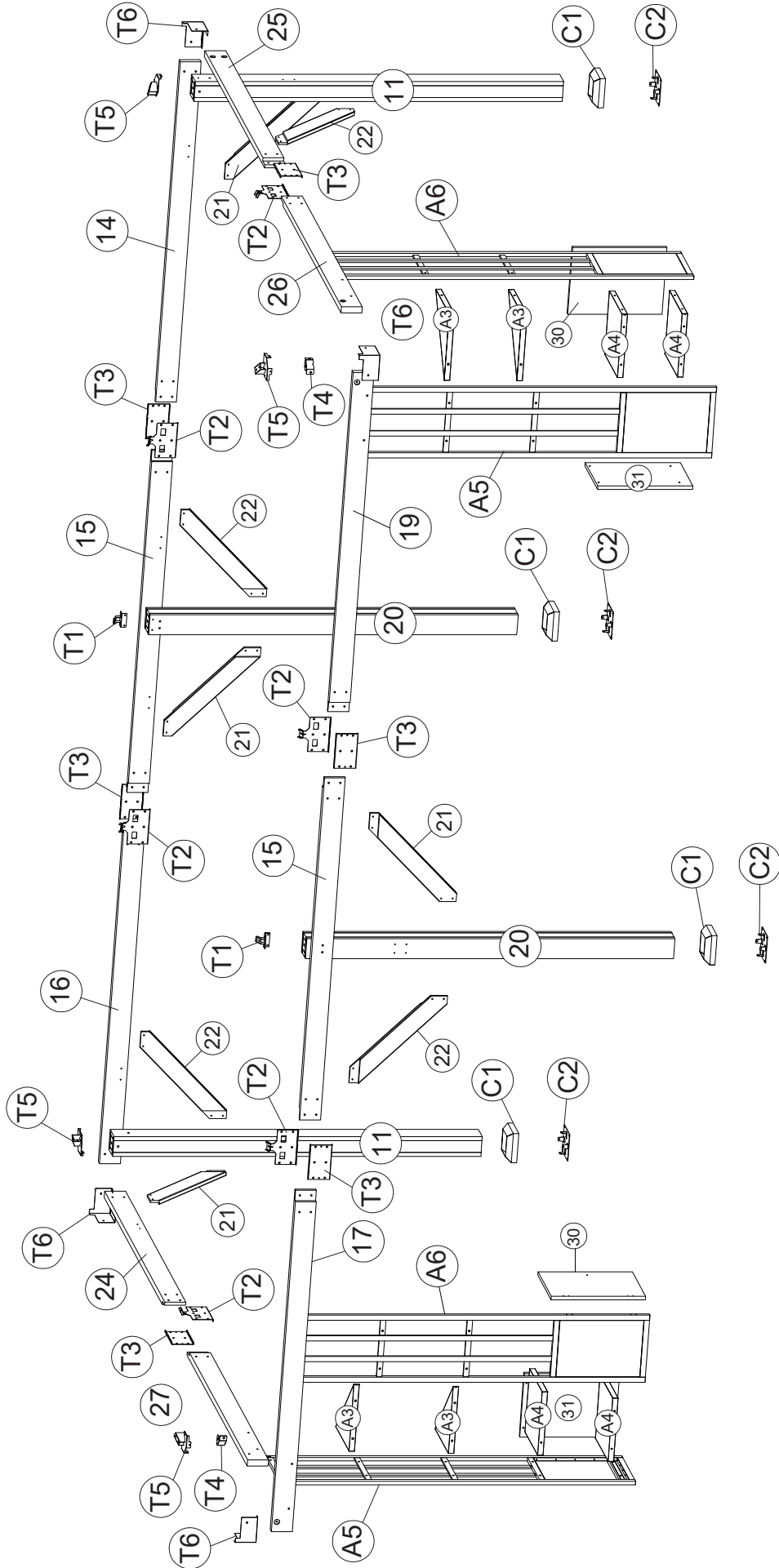
EXPLODED VIEWS



EXPLODED VIEWS


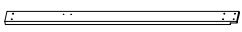
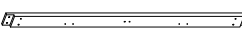

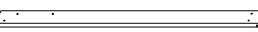
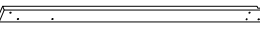


EXPLODED VIEWS

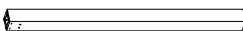
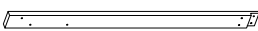









PARTS LIST



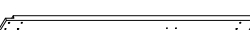


Parts List A

⑪	⑭	⑮	⑯	⑰
 Column	 Left Long Side Beam	 Center Crossbeam of Long Side	 Right Long Side Beam	 Left Long Side Crossbar (Adjacent to Screen)
2 PCS	1 PC	2 PCS	1 PC	1 PC
⑲				
 Right Long Side Crossbar (Adjacent to Screen)				
1 PC				

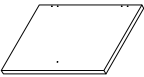
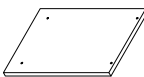
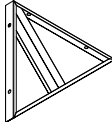
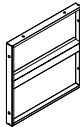
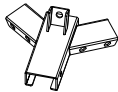
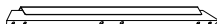






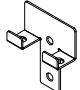
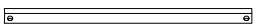



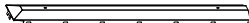
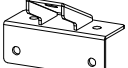
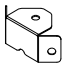
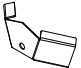
Parts List B

⑳	㉓	J6	J7	M7
 Center Column	 Right Short Side Crossbeam(Screen)	 Large Central Beam 1	 Large Central Beam 2	 Lower Guard Pipe for Short Side of Large Roof 1
2 PCS	1 PC	1 PC	1 PC	2 PCS
M8	M13	M14	M15	
 Lower Guard Pipe for Short Side of Large Roof 2	 Lower Guard Pipe for Center of Long Side of Small Roof	 Side Lower Guard Pipe for Long Side of Large Roof 1	 Side Lower Guard Pipe for Long Side of Large Roof 2	
2 PCS	2 PCS	2 PCS	2 PCS	

Parts List C



㉑	㉒	㉔	㉕	㉖
 Diagonal Support 1	 Diagonal Support 2	 Left Short Side Crossbeam	 Right Short Side Crossbeam	 Left Short Side Crossbeam (Screen)
4 PCS	4 PCS	1 PC	1 PC	1 PC

PARTS LIST

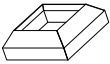
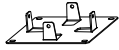
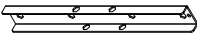
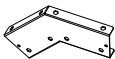


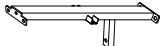






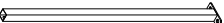
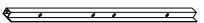

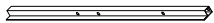



<p>(30)</p>  <p>Storage Door Panel</p>	<p>(31)</p>  <p>Storage Side Panel</p>	<p>(A3)</p>  <p>Partition Shelf</p>	<p>(A4)</p>  <p>Upper and Lower Panels of the Storage Bin</p>	
4 PCS	4 PCS	4 PCS	4 PCS	
Parts List D				
<p>(D)</p>  <p>Upper Connector of the Diagonal Beam of Large Roof</p>	<p>(D1)</p>  <p>Short Pipe for Large Roof Frame</p>	<p>(D5)</p>  <p>Long Pipe for Large Roof Frame 1</p>	<p>(D6)</p>  <p>Long Pipe for Large Roof Frame 2</p>	<p>(D8)</p>  <p>Connector of Small Roof</p>
4 PCS	2 PCS	2 PCS	2 PCS	2 PCS
<p>(G1)</p>  <p>Upper Member of the Diagonal Beam of Large Roof</p>	<p>(G2)</p>  <p>Lower Member of the Diagonal Beam of Large Roof</p>	<p>(J1)</p>  <p>Central Beam</p>	<p>(J5)</p>  <p>Lower Bracket Plate of Large Central Beam</p>	<p>(L12)</p>  <p>Lower Small Beam for Long Side of Large Roof</p>
4 PCS	4 PCS	6 PCS	2 PCS	4 PCS
<p>(P)</p>  <p>Hook</p>	<p>(R4)</p>  <p>Upper Cover Plate of Diagonal Beam of Large Roof</p>	<p>(R5)</p>  <p>Lower Cover Plate of Diagonal Beam of Large Roof</p>	<p>(R9)</p>  <p>Top Cover Plate</p>	<p>(T1)</p>  <p>Lower Connector of Large Central Beam</p>
2 PCS	4 PCS	4 PCS	2 PCS	2 PCS
<p>(T4)</p>  <p>Corner Support Plate</p>	<p>(Y3)</p>  <p>Baffle Plate of Diagonal Beam</p>			
2 PCS	8 PCS			

PARTS LIST

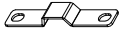
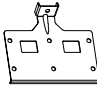
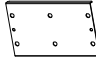
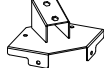
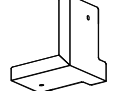
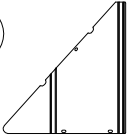
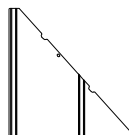
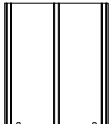
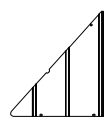
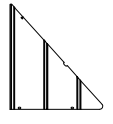
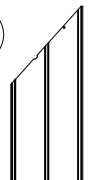
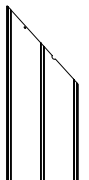




Parts List E

A5	A6			
				
Large Screen	Small Screen			
2 PCS	2 PCS			

Parts List F

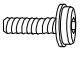


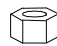
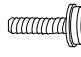
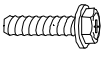
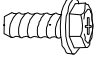




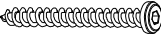

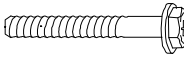
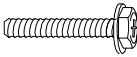
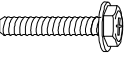


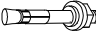

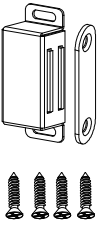
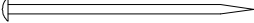
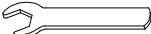



C1	C2	D9	J4	K
				
Ground Anchor Cap	Ground Anchor Plate	Connector Insert of Small Roof	Insert of Large Central Beam	Diagonal Beam of Small Roof
4 PCS	4 PCS	1 PC	1 PC	4 PCS
K1	K2	L1	L5	L6
				
Main Beam of Small Roof	Main Beam of Center of Small Roof	Small Beam for Short Side of Small Roof	Upper Small Beam for Short Side of Large Roof	Lower Small Beam for Short Side of Large Roof
4PCS	2PCS	2 PCS	4 PCS	4 PCS
L9	L10	L11	L13	M1
				
Side Small Beam for Long Side of Small Roof	Center Small Beam for Long Side of Small Roof	Upper Small Beam for Long Side of Large Roof	Center Small Beam for Long Side of Large Roof	Lower Guard Tube for Short Side of Small Roof
4 PCS	4 PCS	4 PCS	8 PCS	2 PCS
M11	M12	M16	M17	R8
				
Lower Guard Tube for Long Side of Small Roof 1	Lower Guard Tube for Long Side of Small Roof 2	Lower Guard Tube for Center of Long Side of Large Roof 1	Lower Guard Tube for Center of Long Side of Large Roof 2	Cover Plate of Diagonal Beam of Small Roof
2 PCS	2 PCS	2 PCS	2 PCS	4 PCS

PARTS LIST

<p>(S)</p>  <p>Fastener</p>	<p>(T2)</p>  <p>Lower Connector of Central Beam</p>	<p>(T3)</p>  <p>Center Baffle Plate of Crossbeam</p>	<p>(T5)</p>  <p>Lower Connector of Diagonal Beam</p>	<p>(T6)</p>  <p>Corner Baffle Plate of Crossbeam</p>
56 PCS	6 PCS	6 PCS	4 PCS	4 PCS
Parts List G				
<p>(P1)</p>  <p>Left Cover Plate for Short Side of Small Roof</p>	<p>(P2)</p>  <p>Right Cover Plate for Short Side of Small Roof</p>	<p>(P7)</p>  <p>Center Cover Plate for Long Side of Small Roof</p>	<p>(Q1)</p>  <p>Left Small Cover Plate of Large Roof</p>	<p>(Q2)</p>  <p>Right Small Cover Plate of Large Roof</p>
4 PCS	4 PCS	12 PCS	4 PCS	4 PCS
<p>(Q3)</p>  <p>Left Center Cover Plate of Large Roof</p>	<p>(Q4)</p>  <p>Right Center Cover Plate of Large Roof</p>	<p>(Q5)</p>  <p>Left Large Beveled Cover Plate of Large Roof</p>	<p>(Q6)</p>  <p>Right Large Beveled Cover Plate of Large Roof</p>	
4 PCS	4 PCS	4 PCS	4 PCS	
Parts List H				
<p>(Q7)</p>  <p>Center Cover Plate for Short Side of Large Roof</p>	<p>(Q10)</p>  <p>Center Cover Plate for Long Side of Large Roof</p>			
8 PCS	12 PCS			

SCREW SET

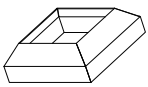
Screw Set (Box H)

<p>AA</p>  <p>M6x30</p>	<p>BB</p>  <p>M6x20</p>	<p>CC</p>  <p>M6x35</p>	<p>DD</p>  <p>M6</p>	<p>EE</p>  <p>M6x50</p>
56 PCS	48 PCS	20 PCS	4 PCS	8 PCS
<p>FF</p>  <p>M6x20</p>	<p>GG</p>  <p>M6x15</p>	<p>H4</p>  <p>M5x25</p>	<p>H5</p>  <p>M6</p>	<p>H6</p>  <p>M8x70</p>
288 PCS	110 PCS	36 PCS	36 PCS	4 PCS
<p>H7</p>  <p>M8x170</p>	<p>H8</p>  <p>M6x30</p>	<p>H9</p>  <p>M8</p>	<p>JJ</p>  <p>M6x55</p>	<p>KK</p>  <p>M6x45</p>
8 PCS	32 PCS	32 PCS	4 PCS	4 PCS
<p>QQ</p>  <p>M6x40</p>	<p>LL</p>  <p>M8</p>	<p>RR</p>  <p>M4x16</p>	<p>UU</p>  <p>M6x80</p>	<p>U1</p>  <p>M6x80</p>
20 PCS	8 PCS	28 PCS	8 PCS	2 PCS
<p>U2</p>  <p>2 PCS</p>	<p>PP</p>  <p>D8x180</p>	<p>Z1</p>  <p>M6</p>	<p>Z2</p>  <p>M6</p>	<p>Z3</p>  <p>M8</p>
2 PCS	8 PCS	2 PCS	2 PCS	2 PCS
<p>Z4</p>  <p>M8</p>				
2 PCS				

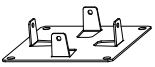
1



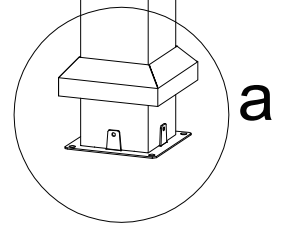
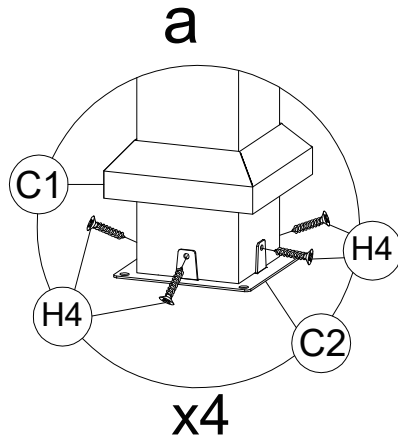
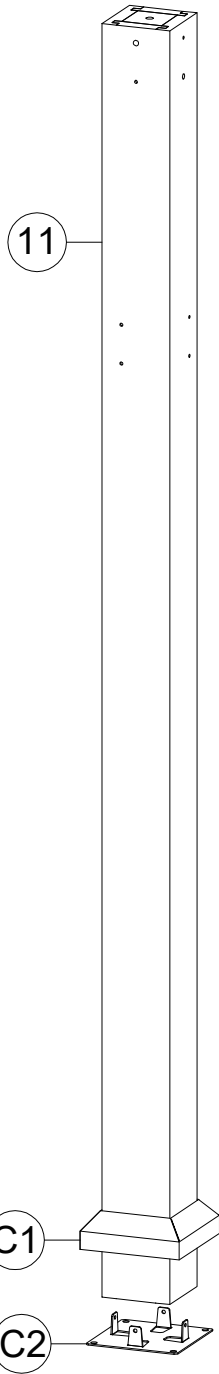
11 x2



C1 x2



C2 x2



H4 x8

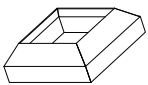


M5x25

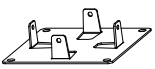
2



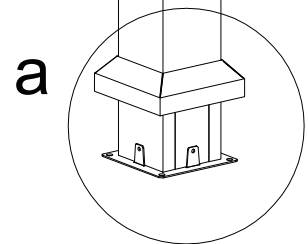
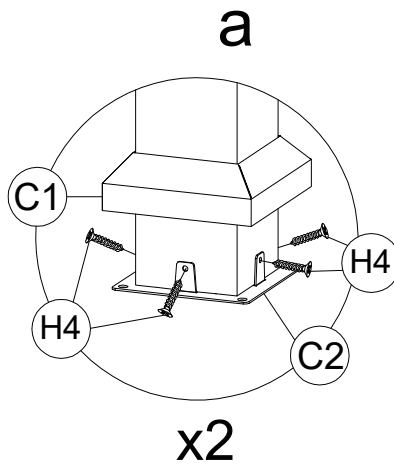
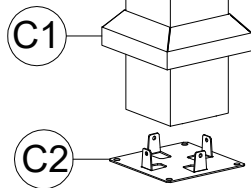
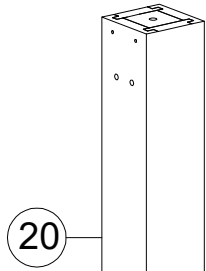
20 x2



C1 x2



C2 x2

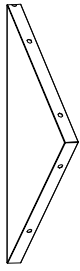


H4 x8

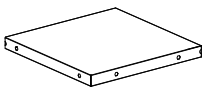


M5x25

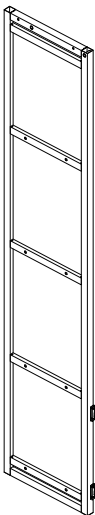
3



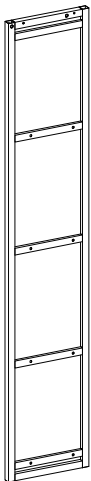
A3 x4



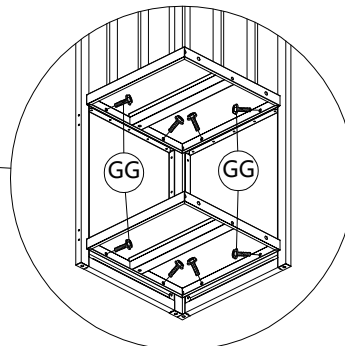
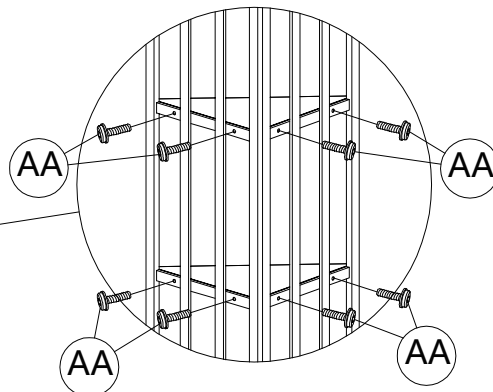
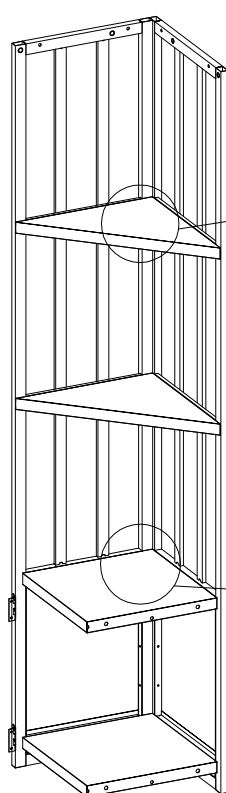
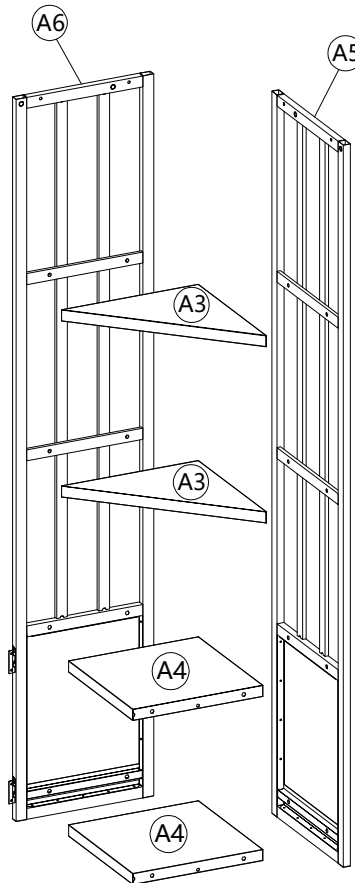
A4 x4



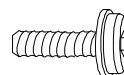
A5 x2



A6 x2

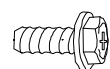


AA x16



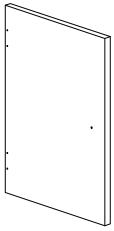
M6x30

GG x16

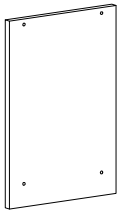


M6x15

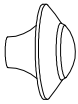
4



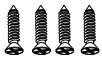
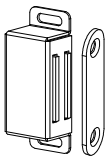
30 x1



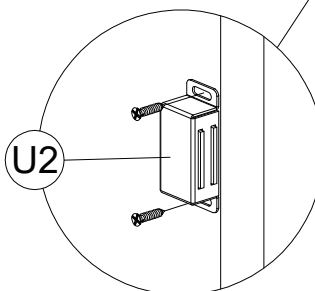
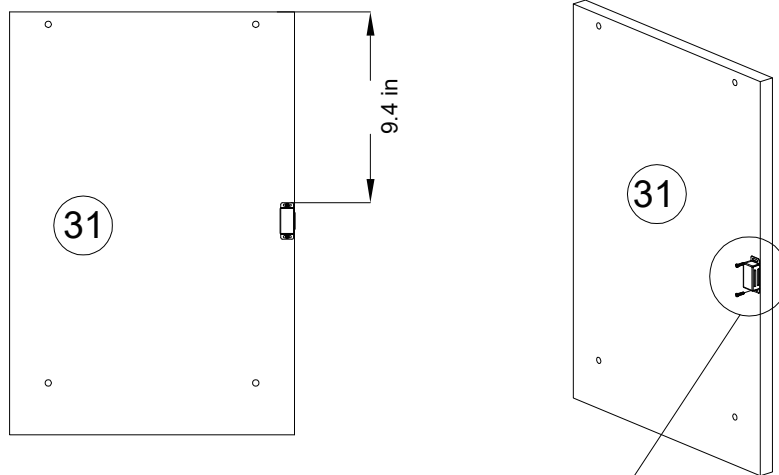
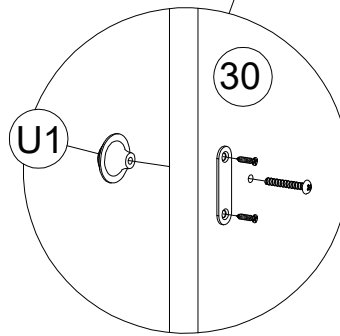
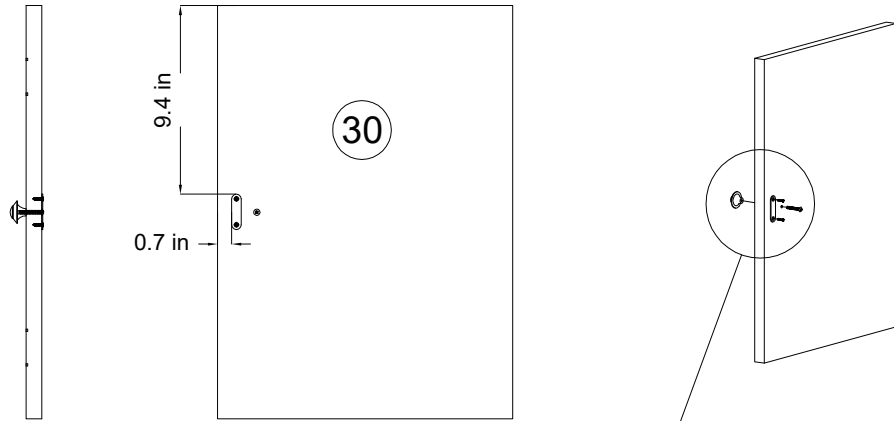
31 x1



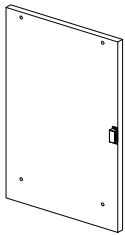
U1 x1



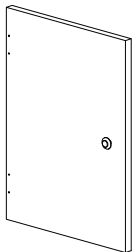
U2 x1



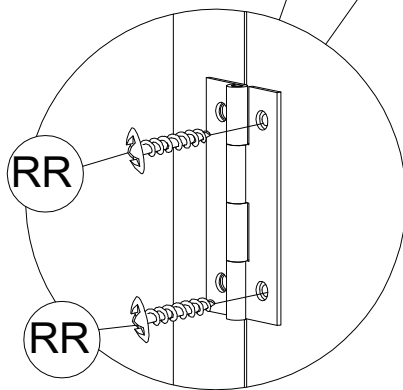
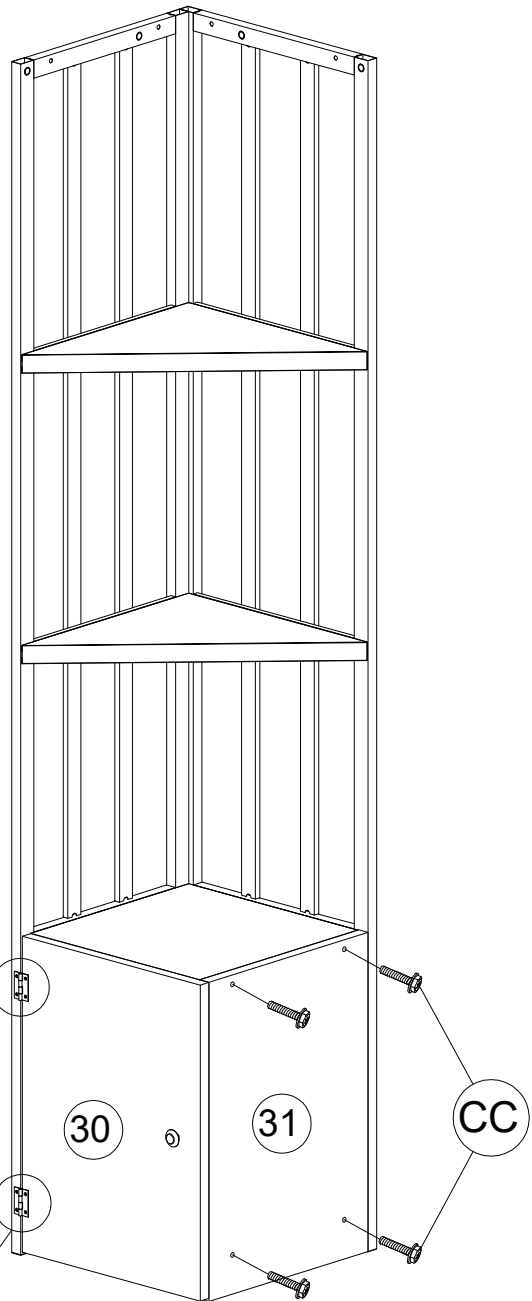
5



31 x1



30 x1



RR x4



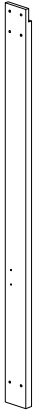
M4x16

CC x4

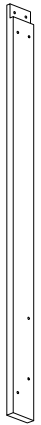


M6x35

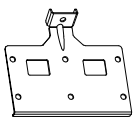
6



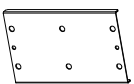
24 x1



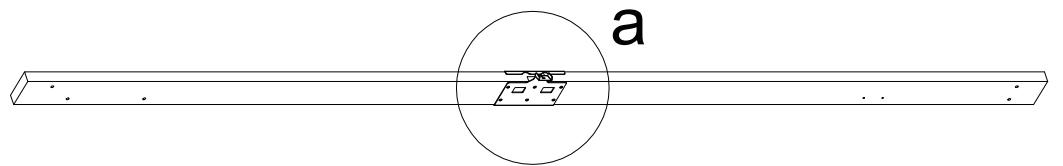
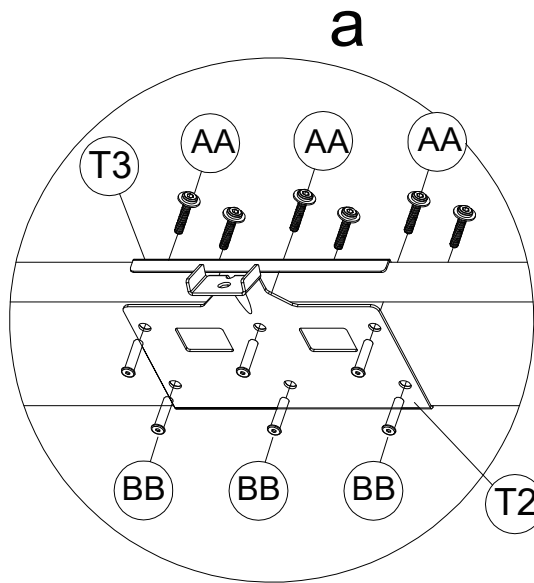
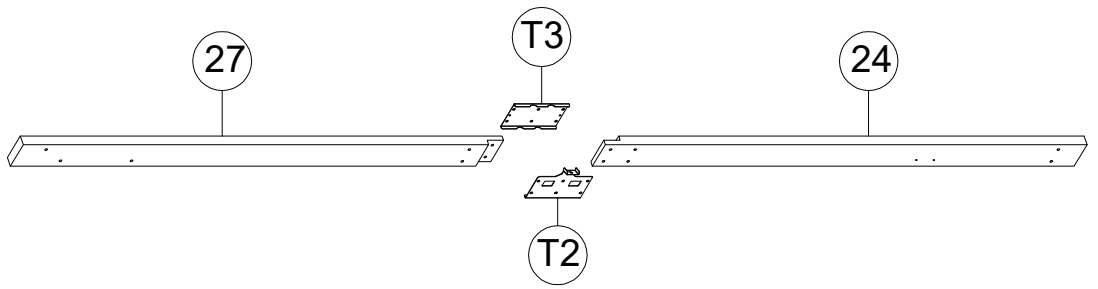
27 x1



T2 x1



T3 x1

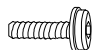


BB 6x



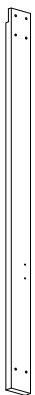
M6x20

AA 6x



M6x30

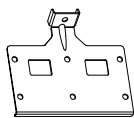
7



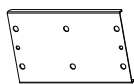
25 x1



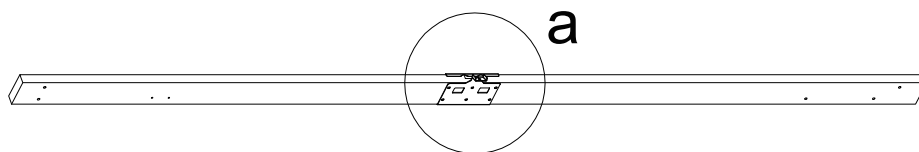
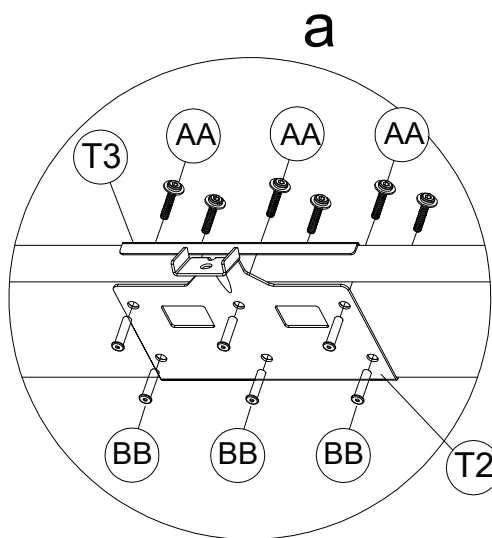
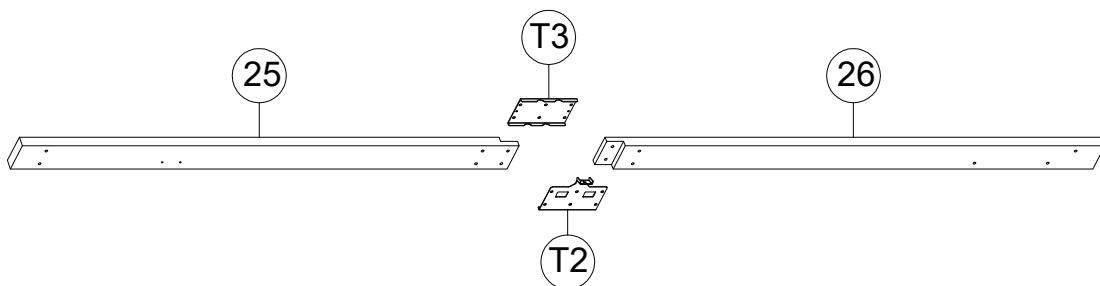
26 x1



T2 x1



T3 x1



BB 6x



M6x20

AA 6x



M6x30

8



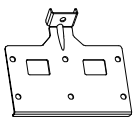
14 x1



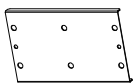
15 x1



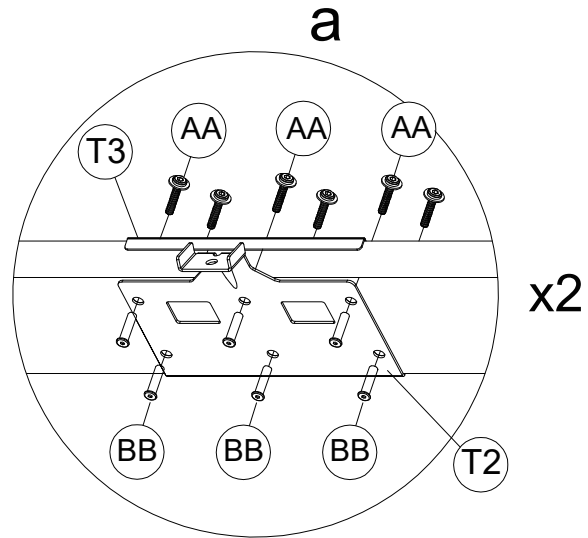
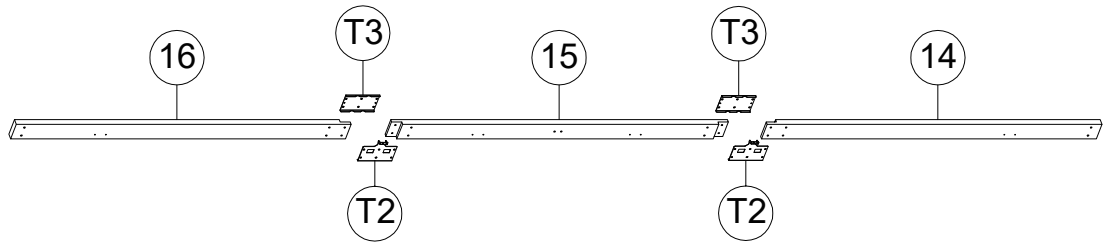
16 x1



T2 x2



T3 x2

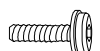


BB x12



M6x20

AA x12



M6x30

9



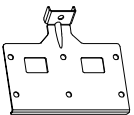
19 x1



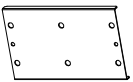
15 x1



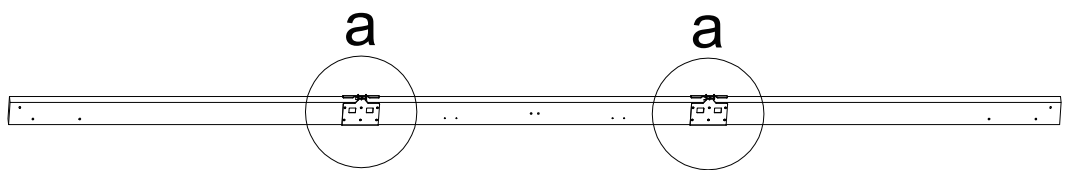
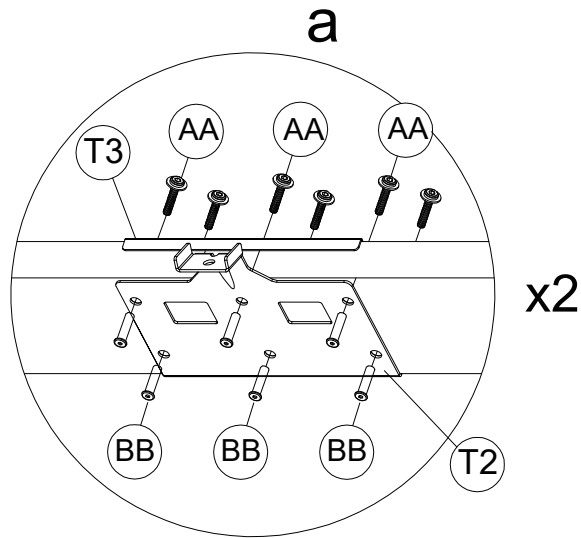
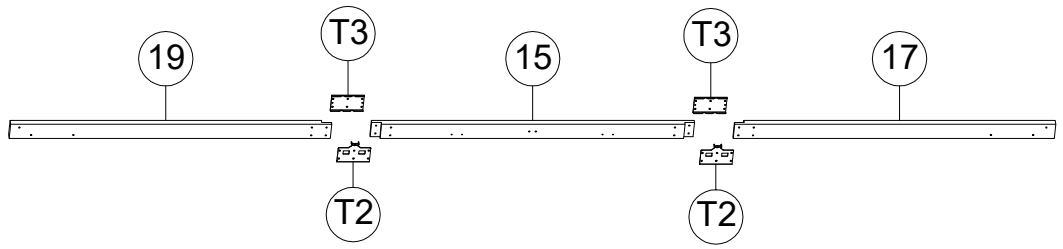
17 x1



T2 x2



T3 x2

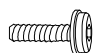


BB x12



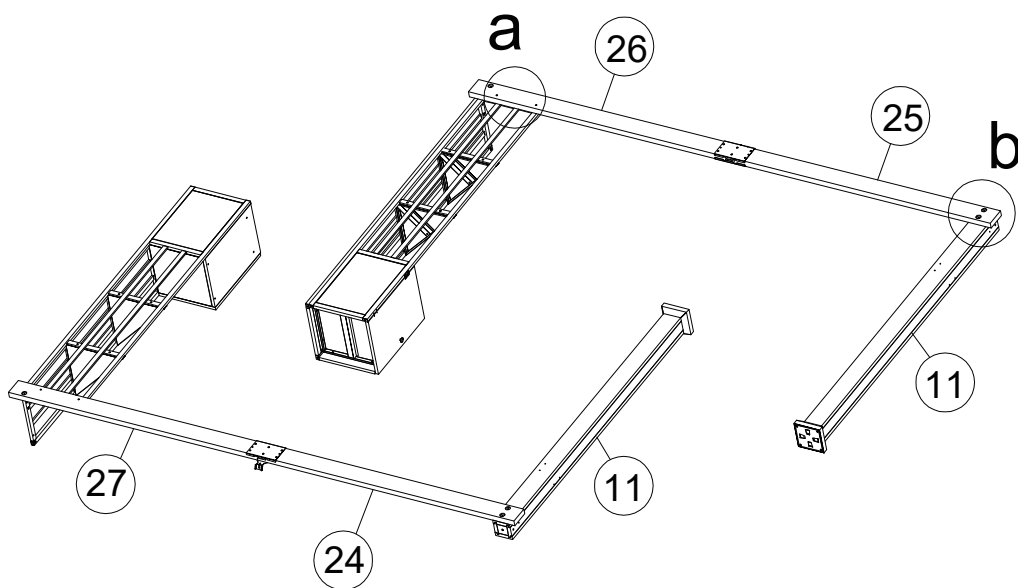
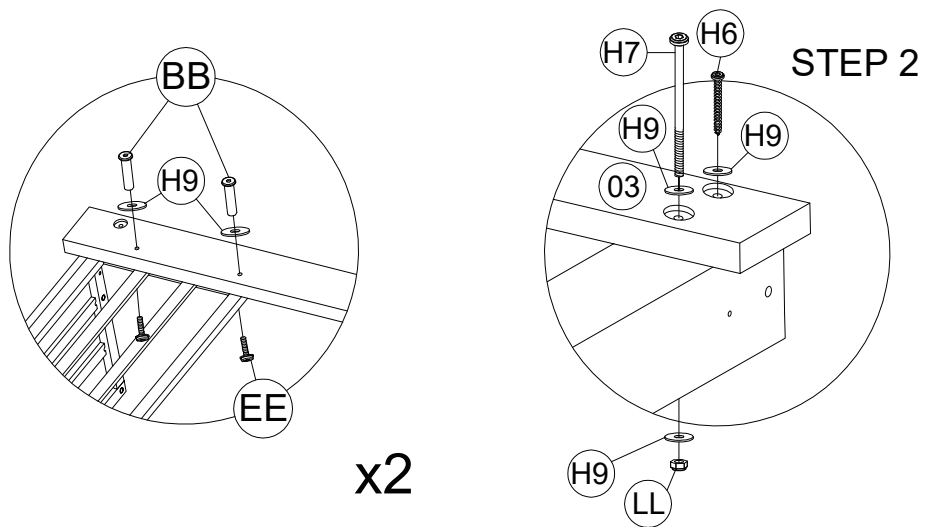
M6x20

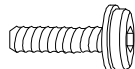
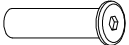
AA x12




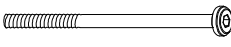


M6x30

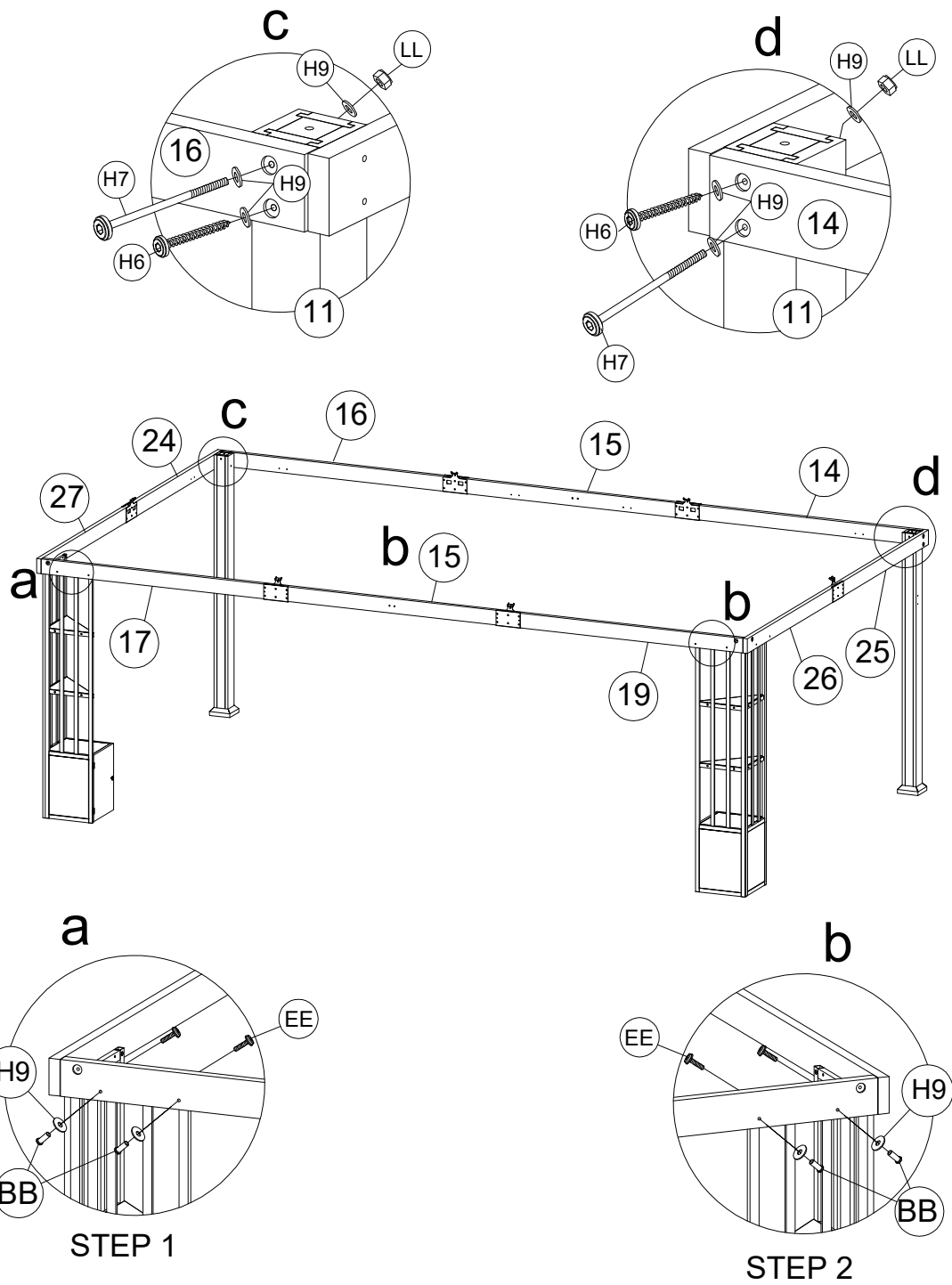
10


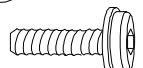



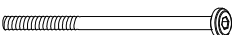


EE x4  M6x50	BB x4  M6x20
---	---

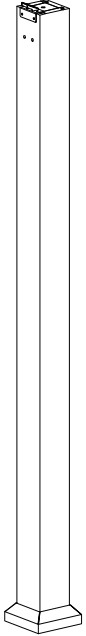
H6 x2  M8x70	H9 x10  M8	LL x2  M8	H7 x2  M8x170
---	---	--	--

11

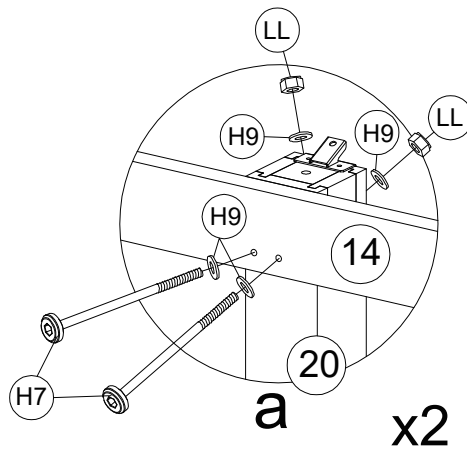
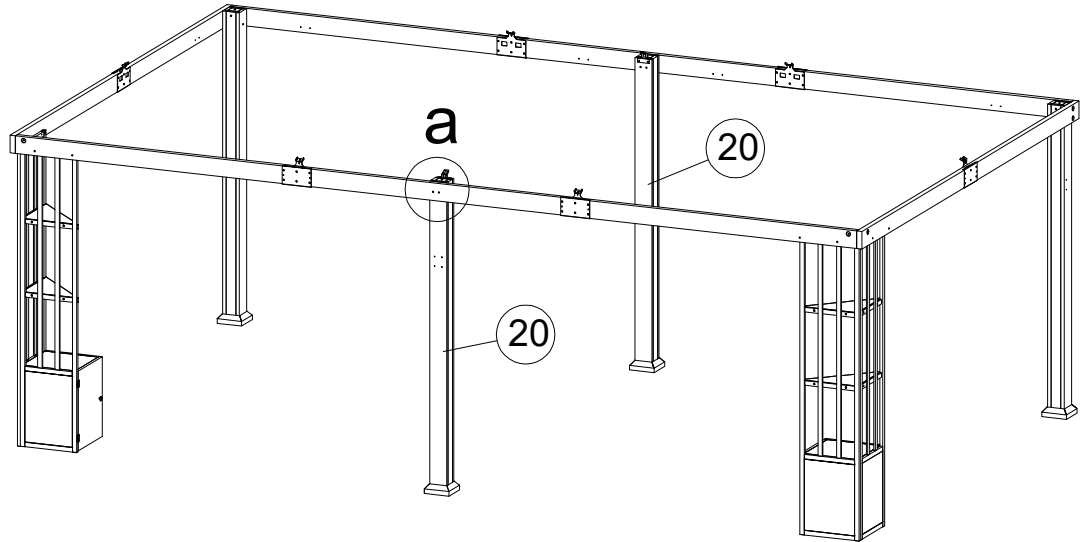




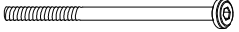
				(H6) x2  M8x70
(EE) x4  M6x50	(BB) x4  M6x20	(H9) x10  M8	(LL) x2  M8	(H7) x2  M8x170

12

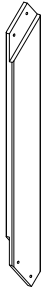


20 x2

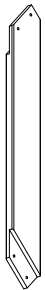


<p>(H9) x8</p>  <p>M8</p>	<p>(LL) x4</p>  <p>M8</p>	<p>(H7) x4</p>  <p>M8x170</p>
--	--	--

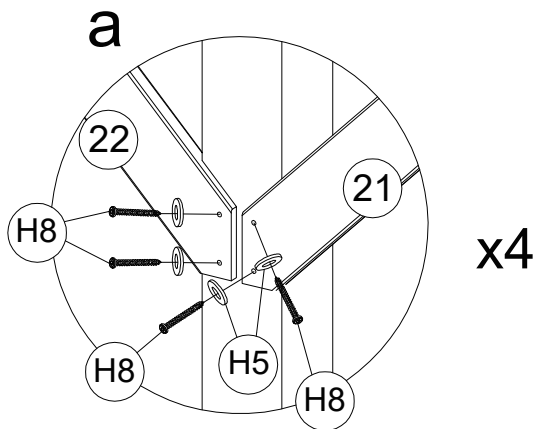
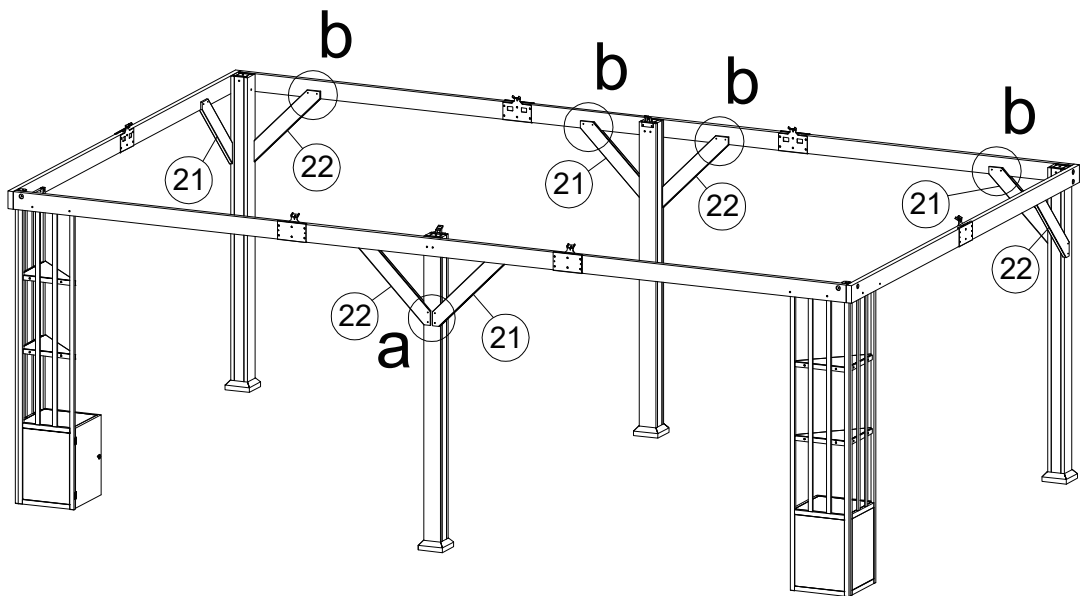
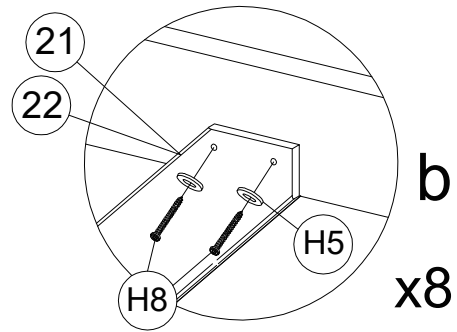
13



21 x4



22 x4



H8 x32



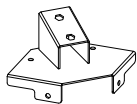
M6x30

H5 x32

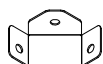


M6

14

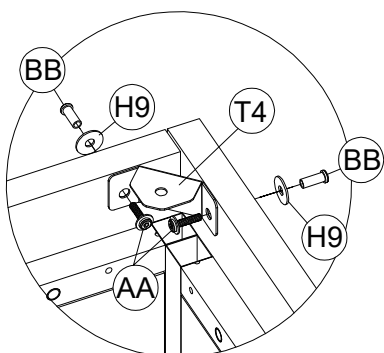


T5 x2



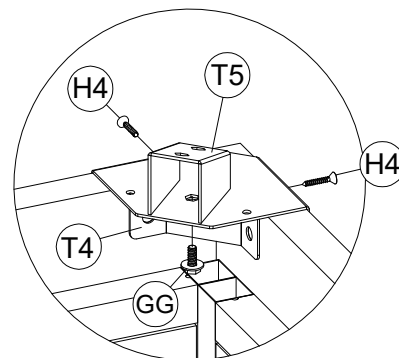
T4 x2

STEP 1

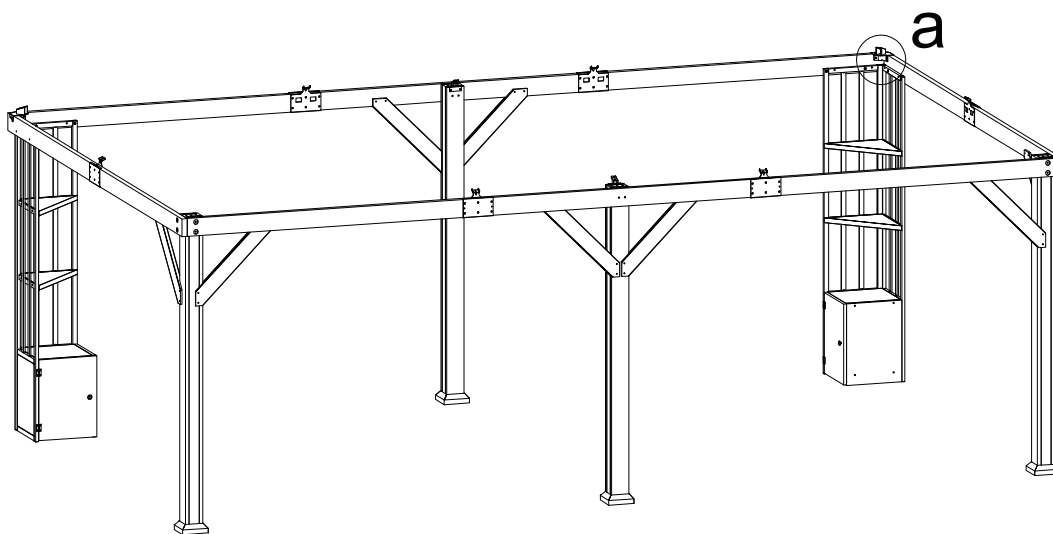


a

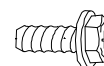
STEP 2



a



GG x2



M6x15

BB x4



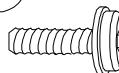
M6x20

H9 x4



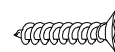
M8

AA x4



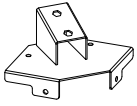
M6x30

H4 x4

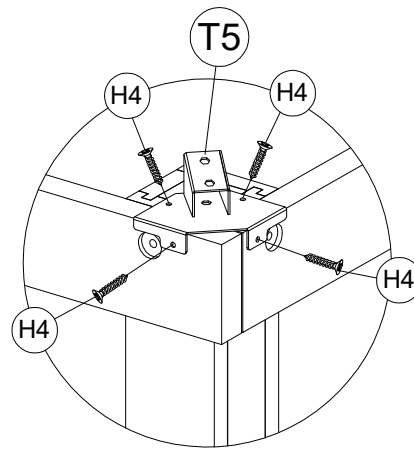


M5x25

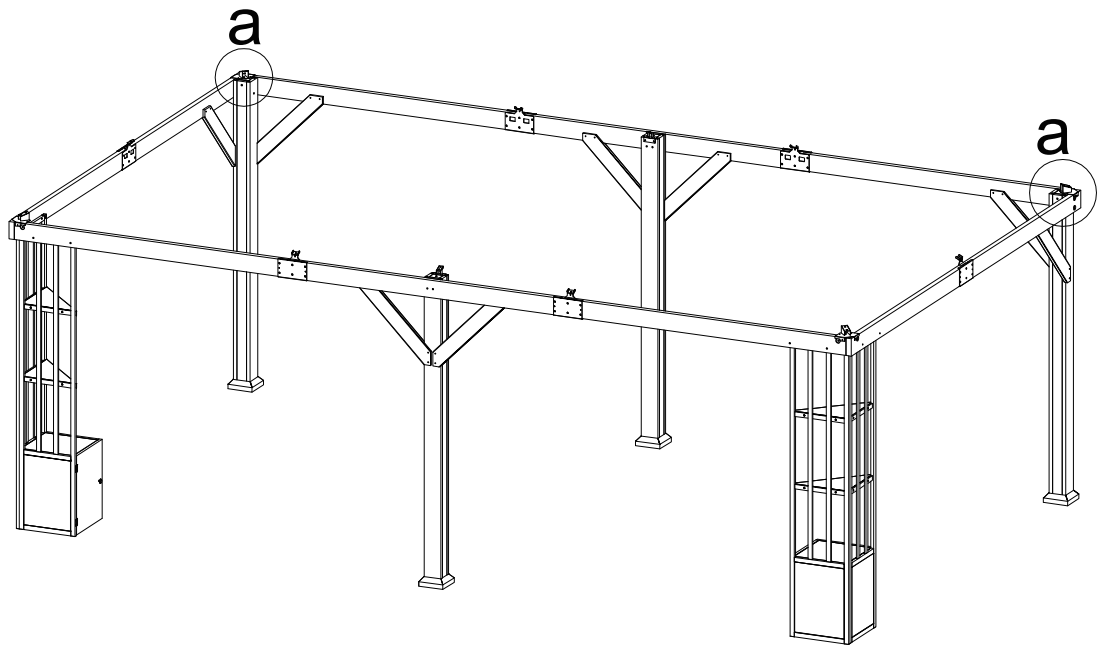
15



T5 x2



a

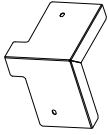


H4 x8

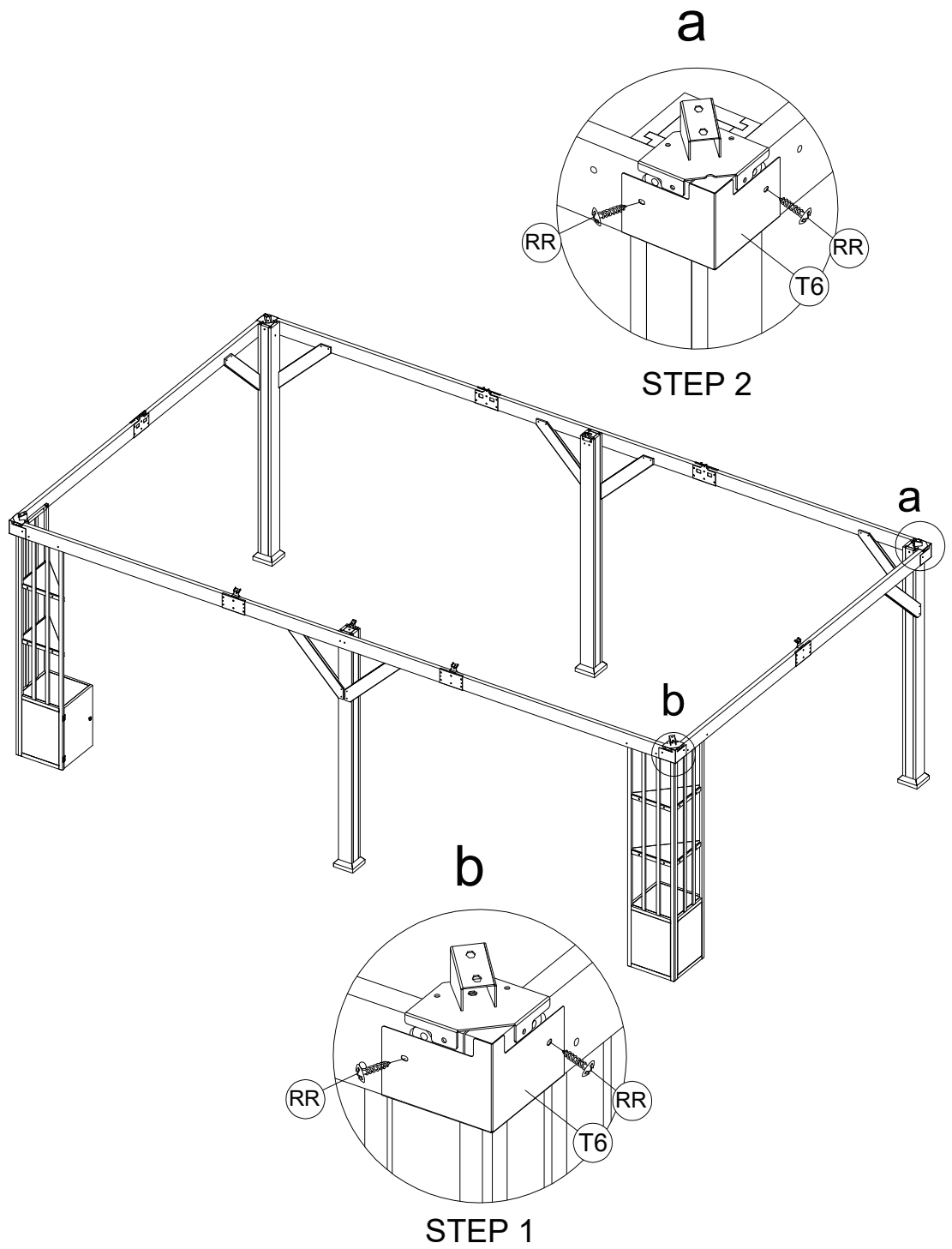


M5x25

16



T6 x4



RR x8



M4x16

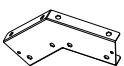
17



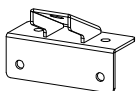
J6 x1



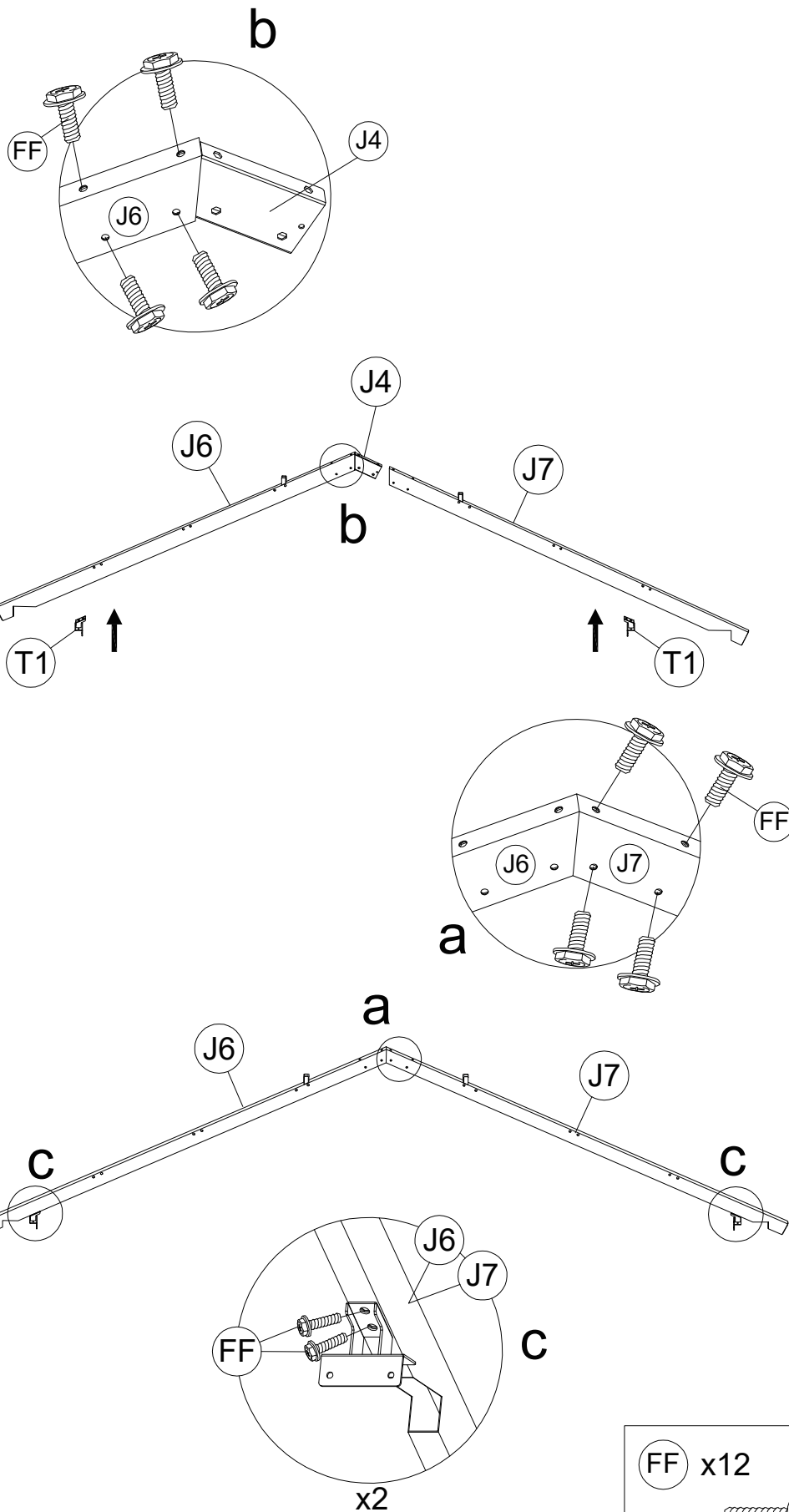
J7 x1



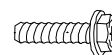
J4 x1



T1 x2

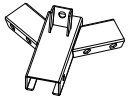


FF x12



M6x20

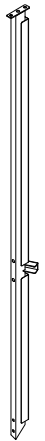
18



D x4



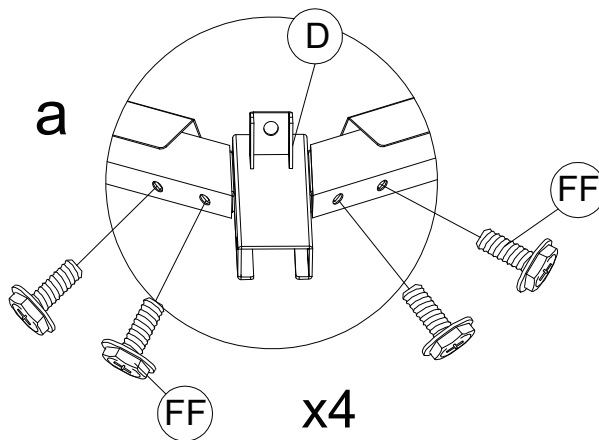
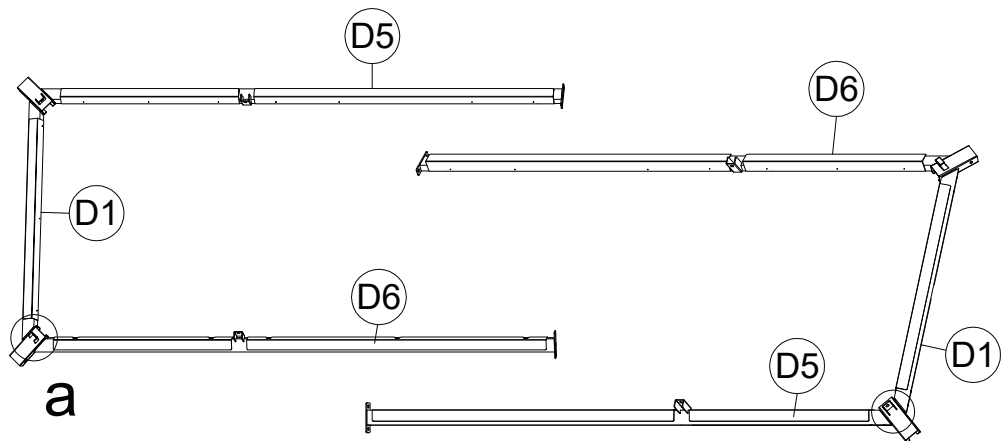
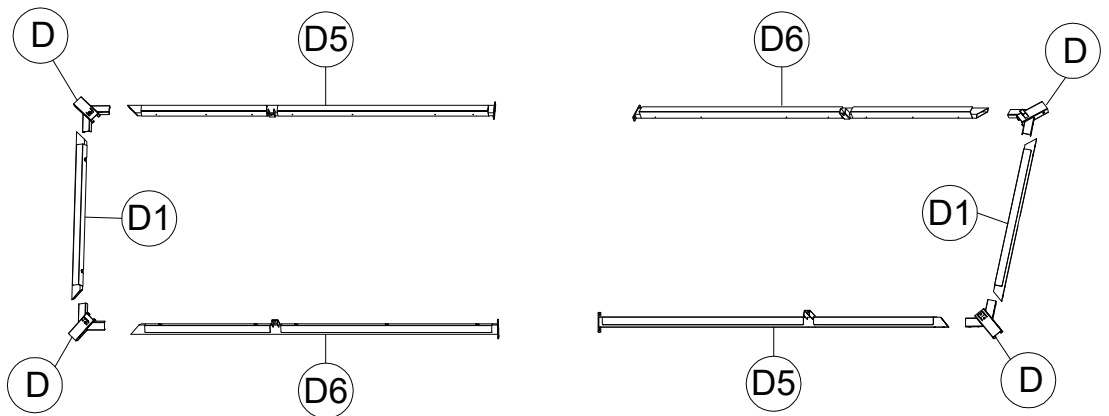
D1 x2



D5 x2

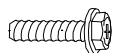


D6 x2



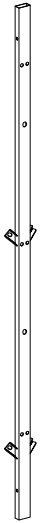
x4

FF x16

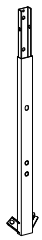


M6x20

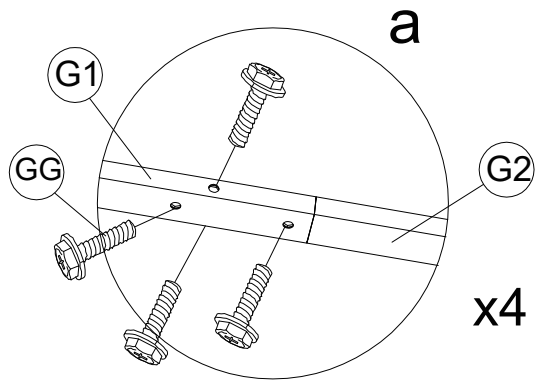
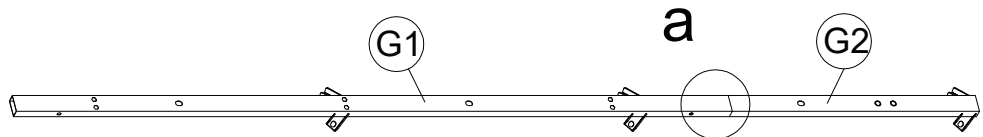
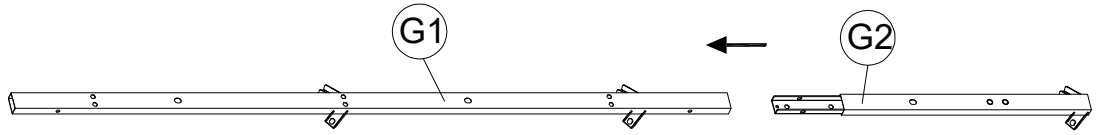
19



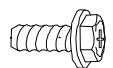
G1 x4



G2 x4

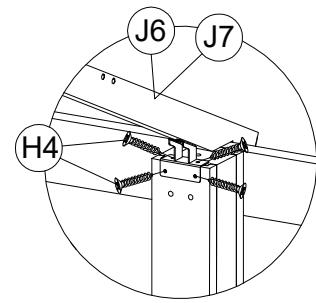
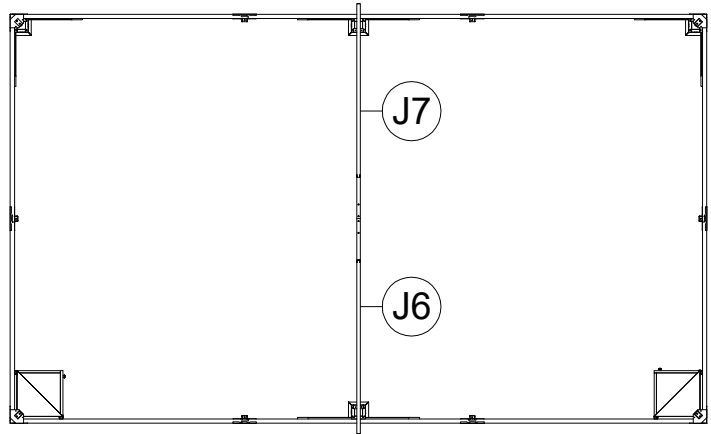


GG x16



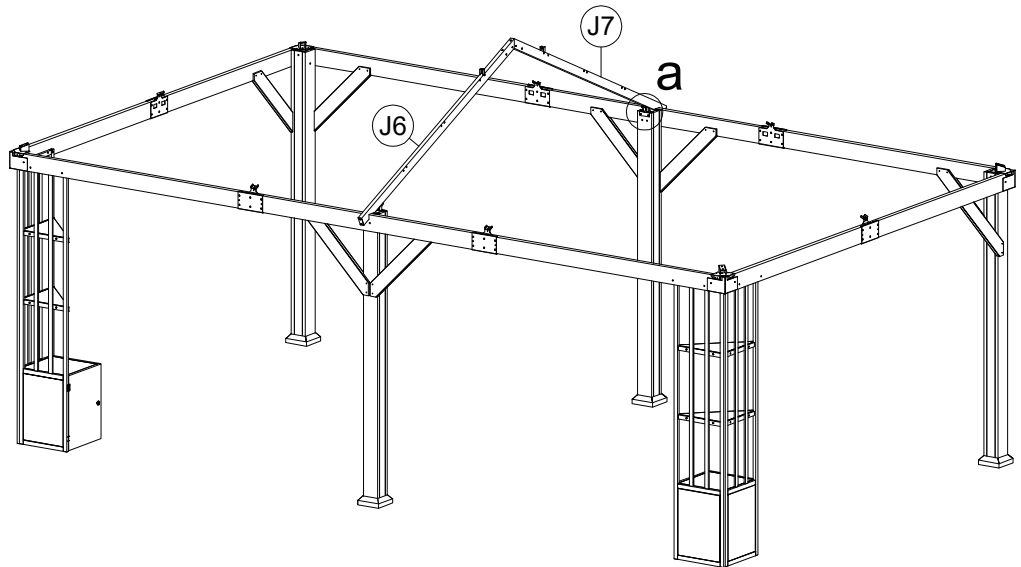
M6x15

20

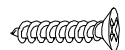


x2

a

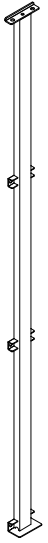


H4 x8

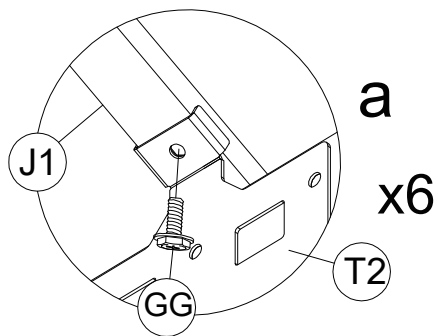
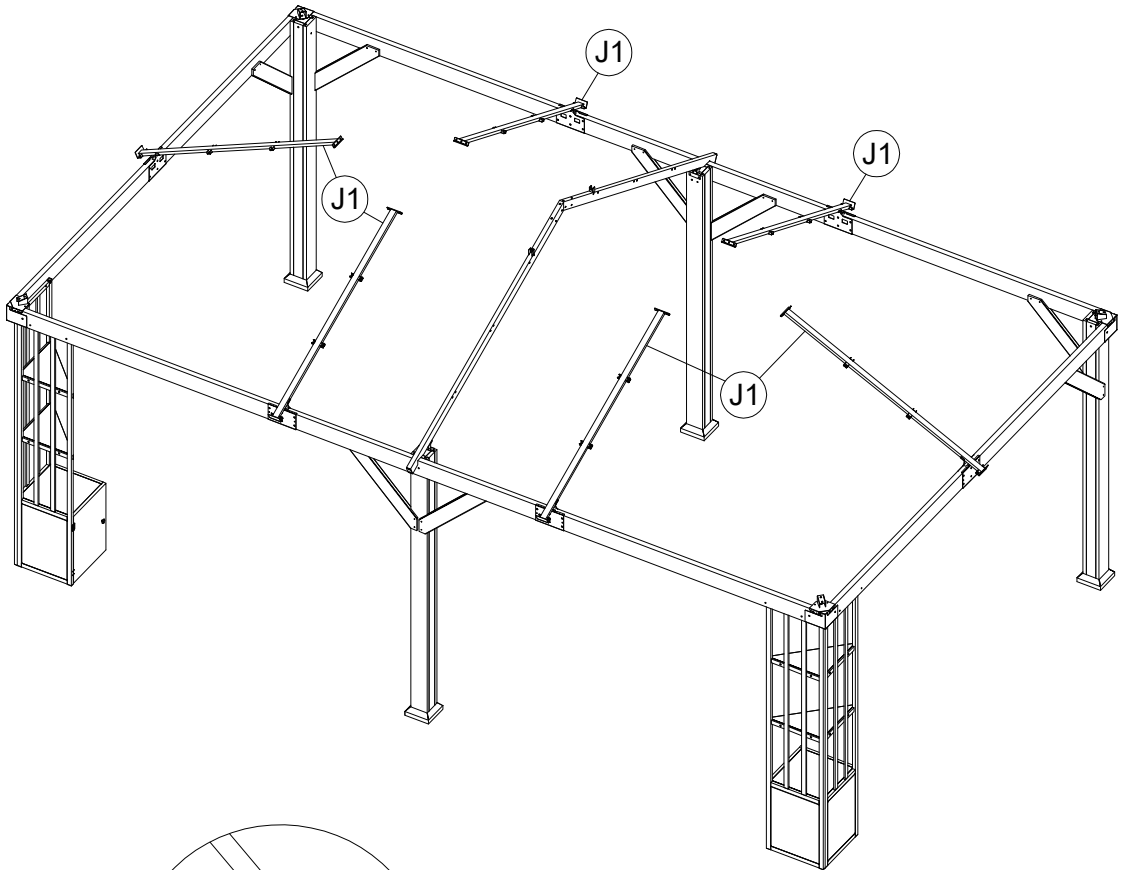
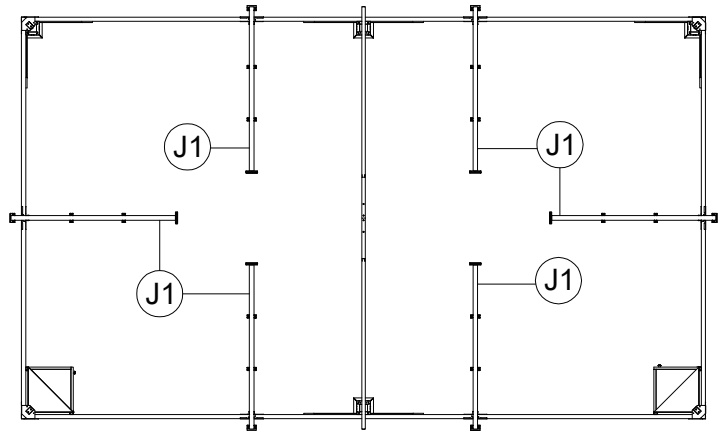


M5x25

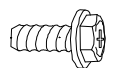
21



J1 x6

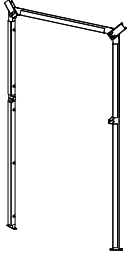


GG x6

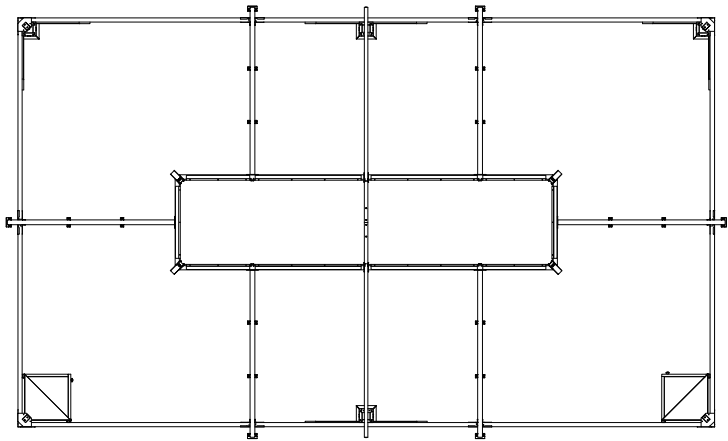


M6x15

22

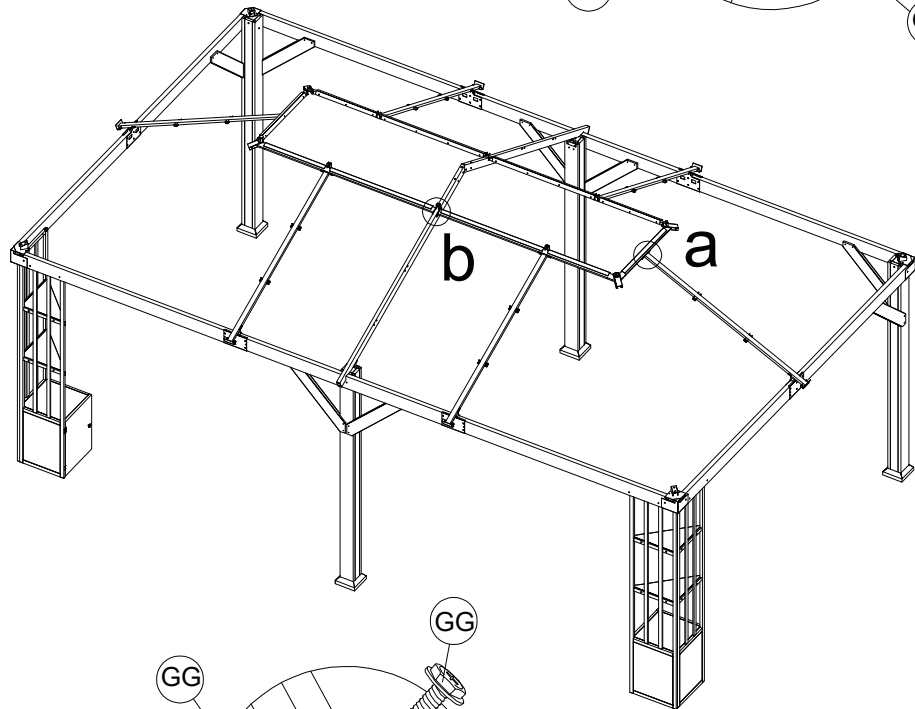
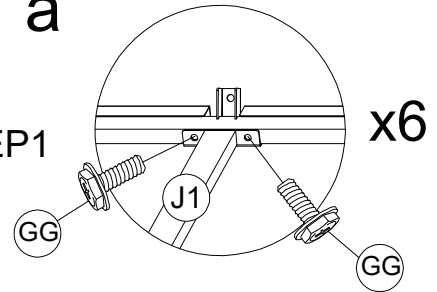


x2



a

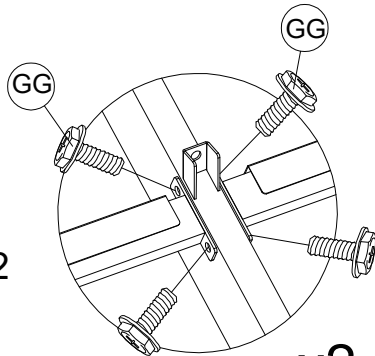
STEP 1



b

a

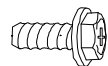
STEP 2



b

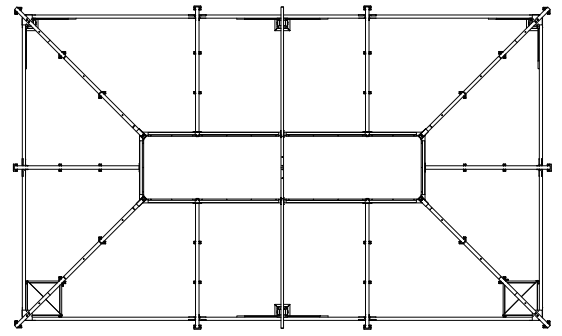
x2

GG x20

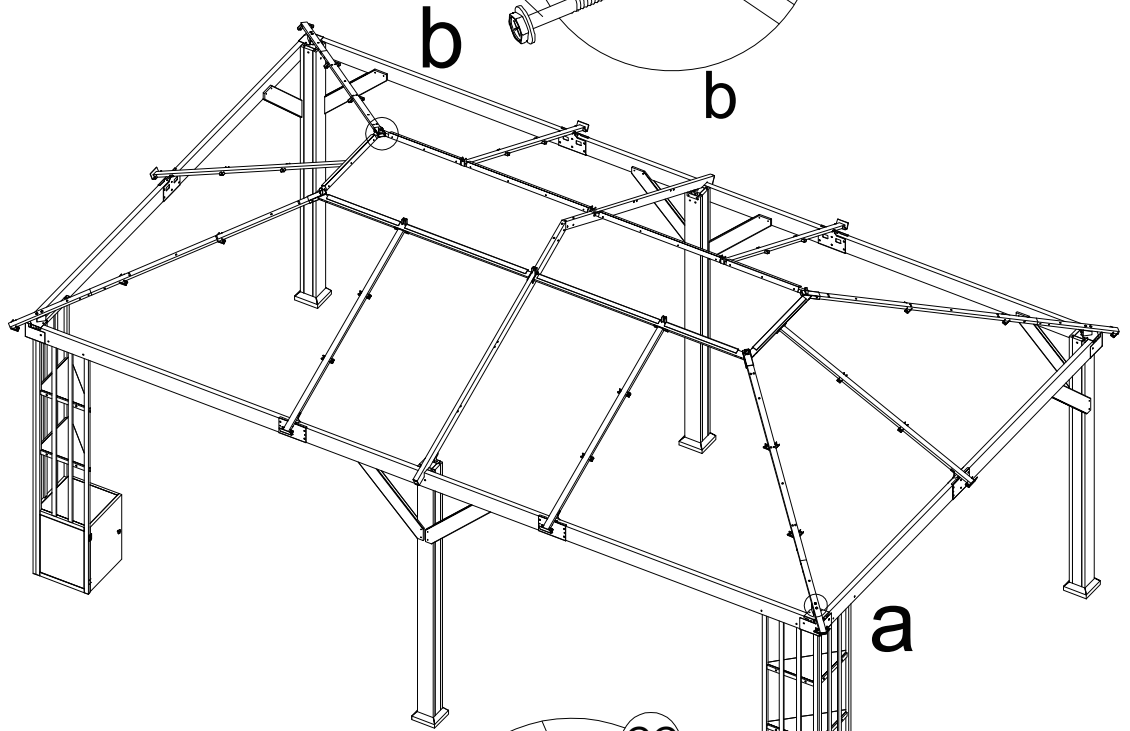
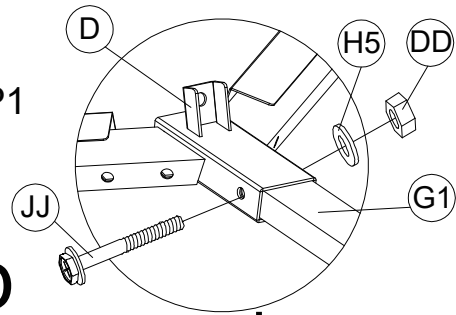


M6x15

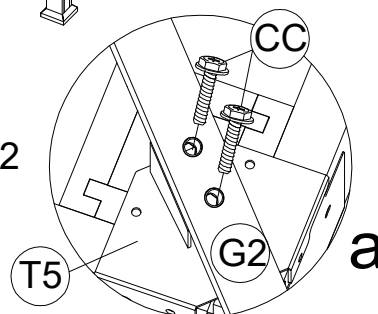
23



STEP 1



STEP 2



DD x4

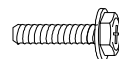


H5 x4



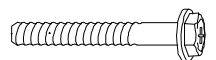
M6

CC x8



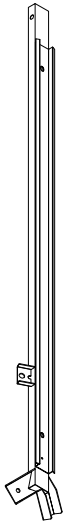
M6x35

JJ x4

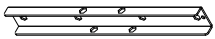


M6x55

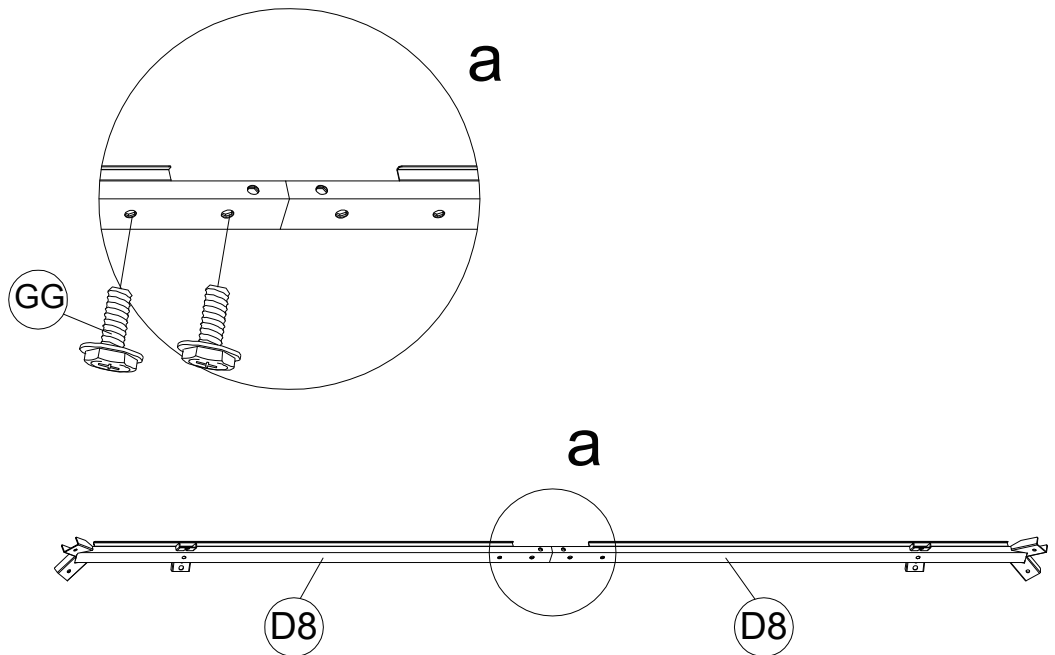
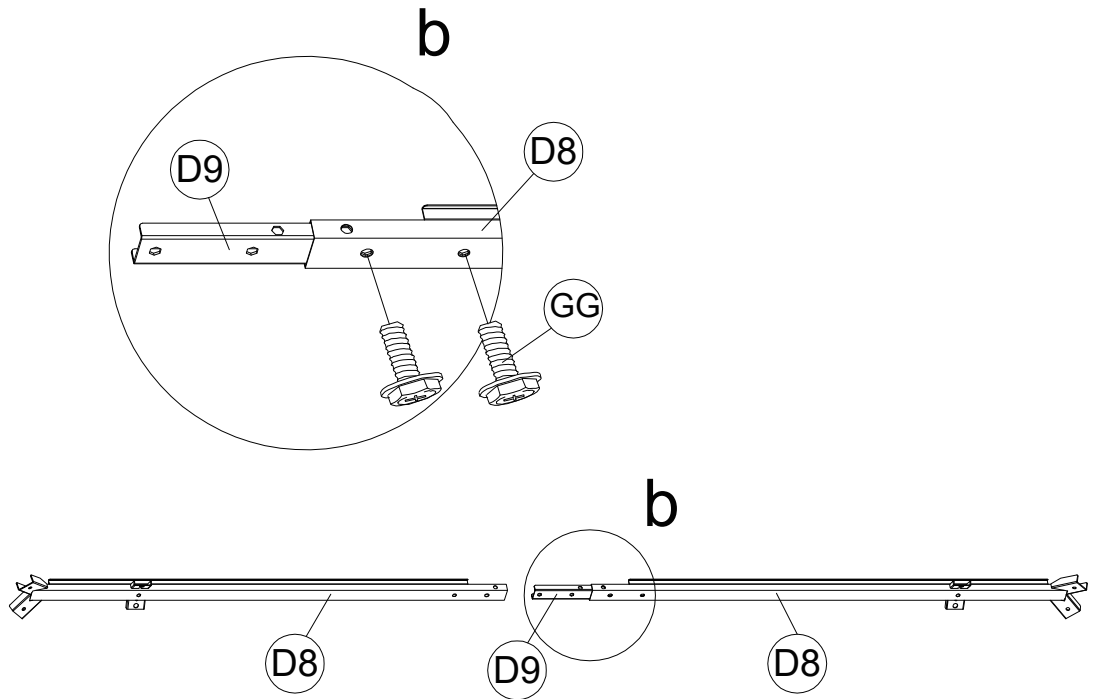
24



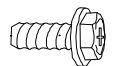
D8 x2



D9 x1

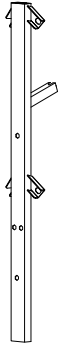


GG x4

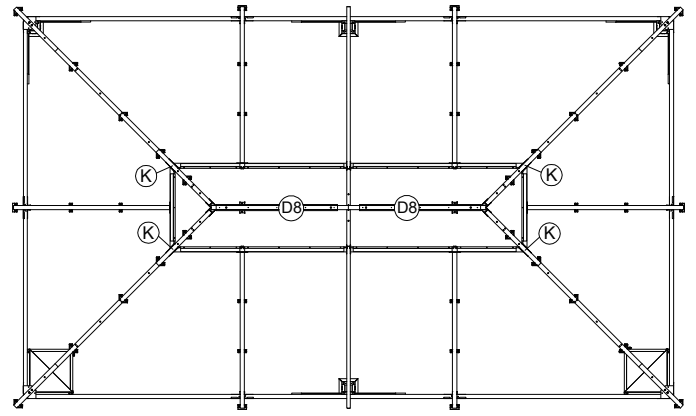


M6x15

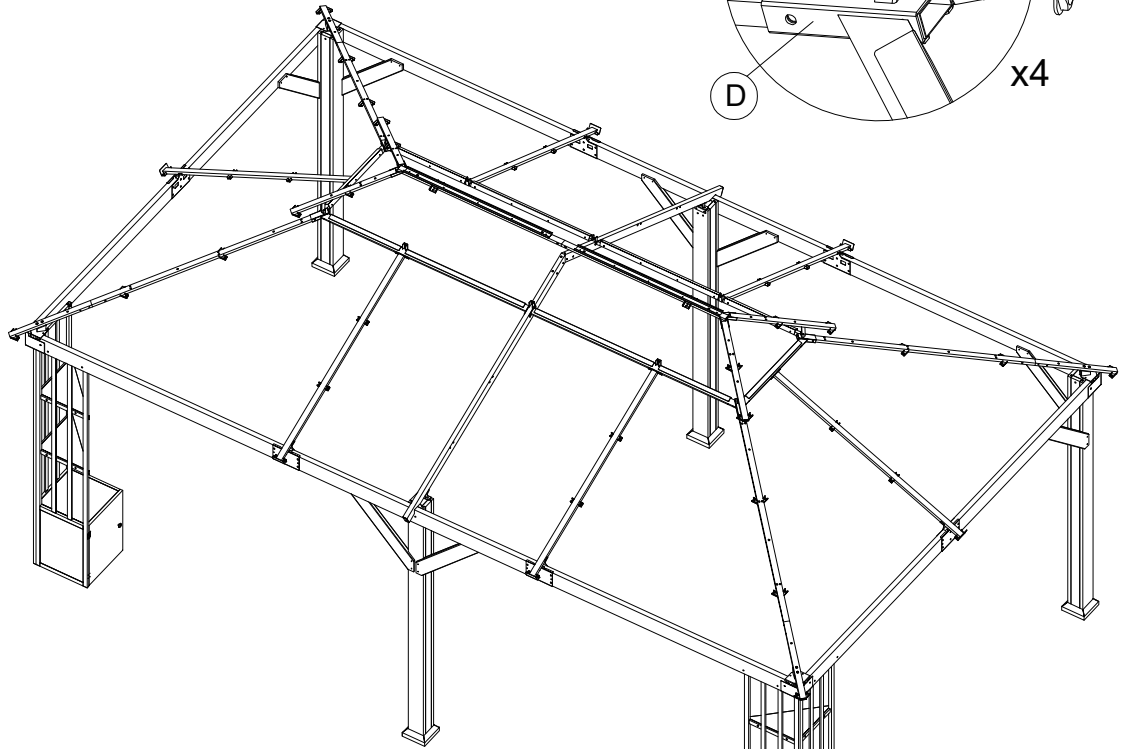
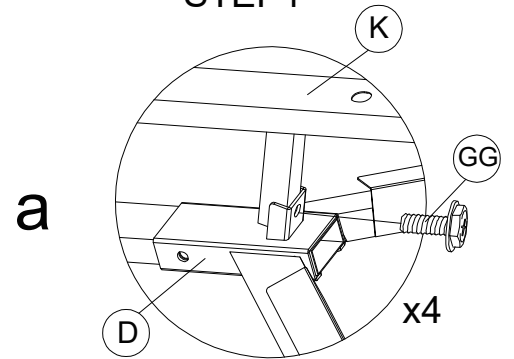
25



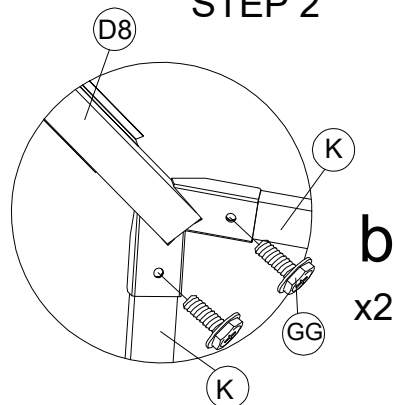
K x4



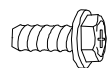
STEP 1



STEP 2

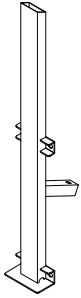


GG x8

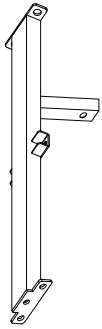


M6x15

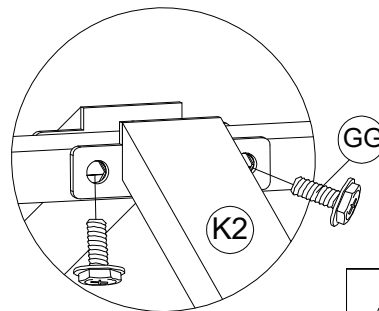
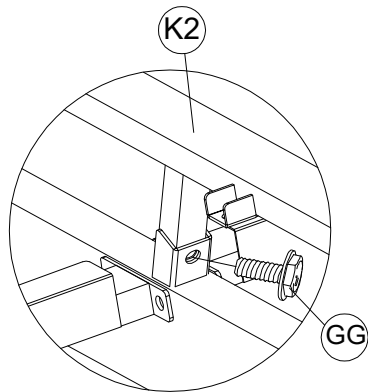
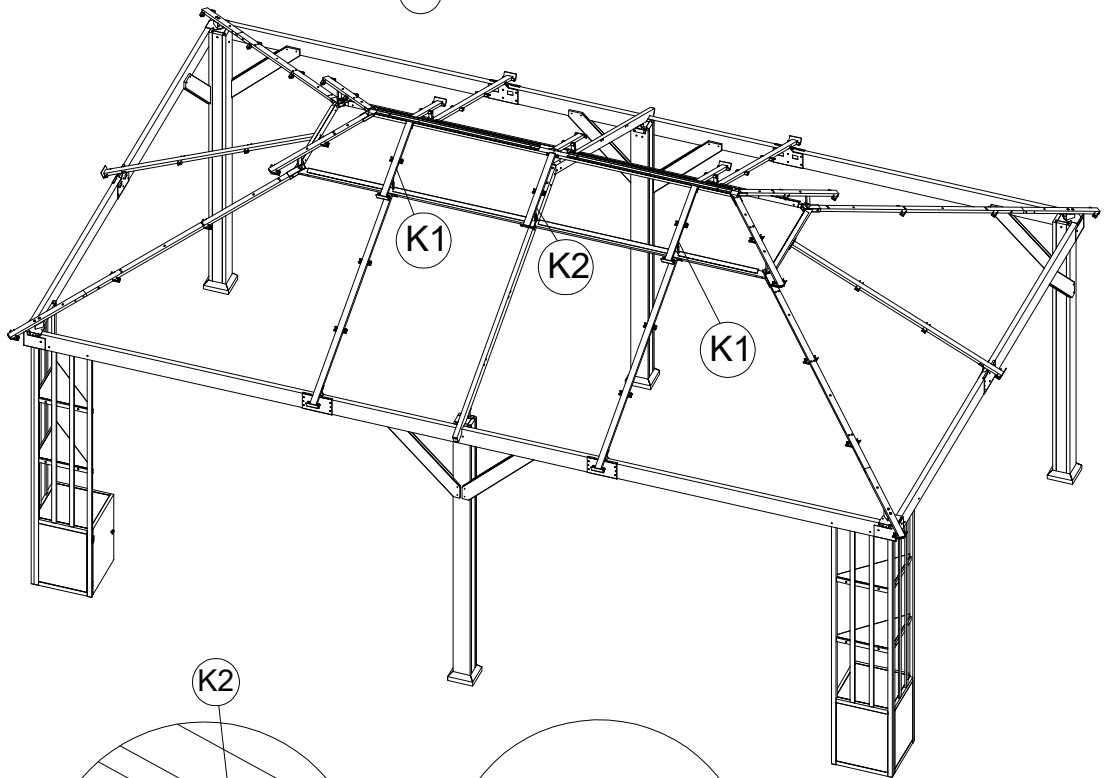
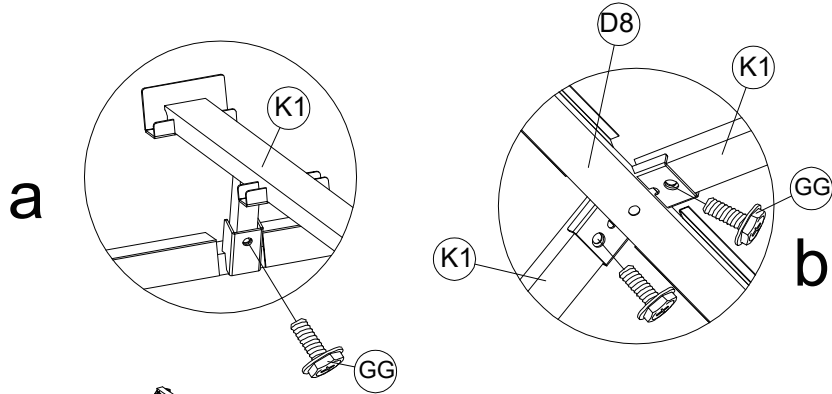
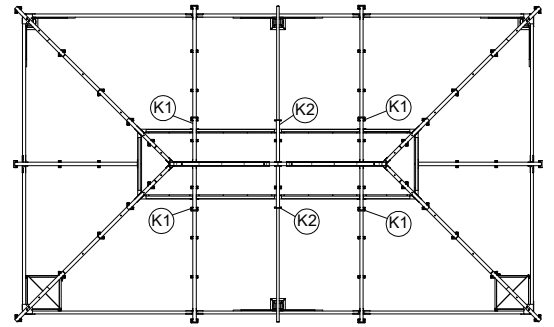
26



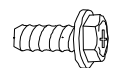
K1 x4



K2 x2



GG x14



M6x15

27



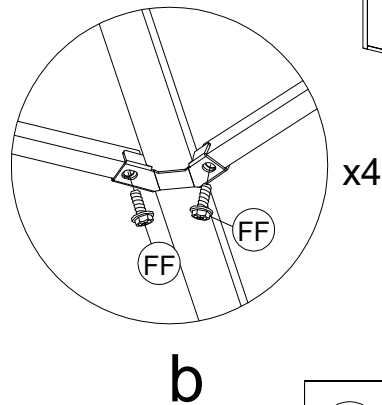
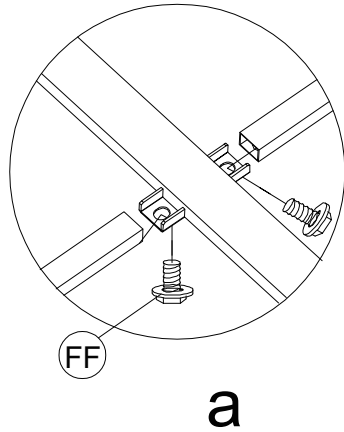
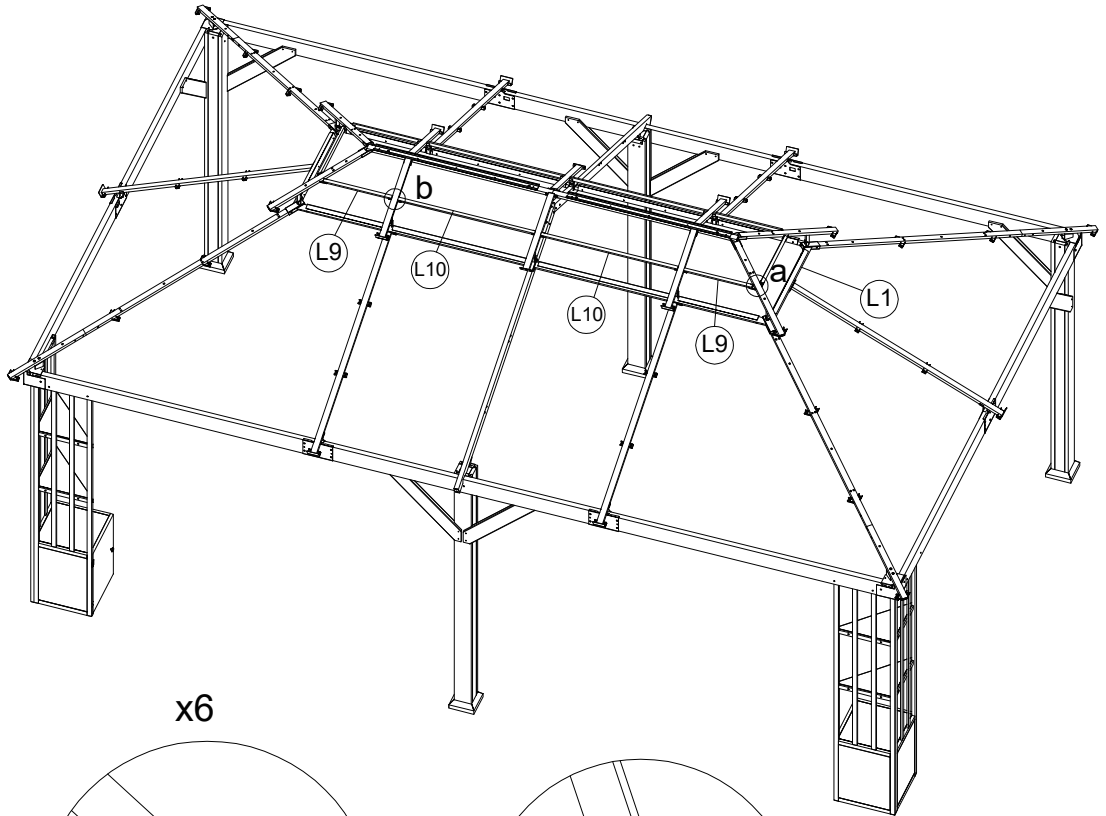
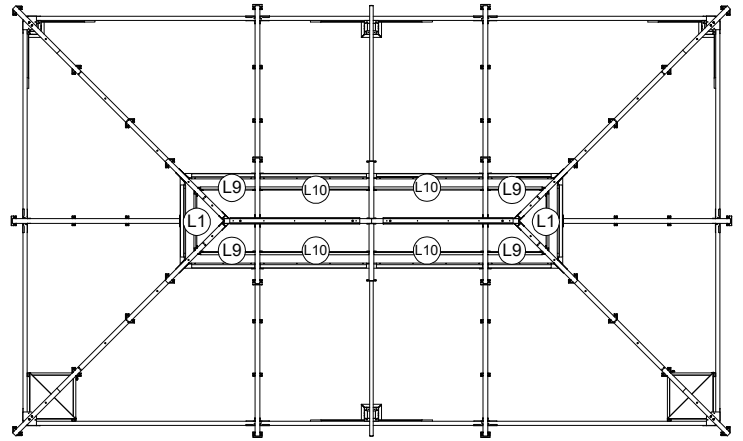
L1 x2



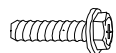
L9 x4



L10 x4

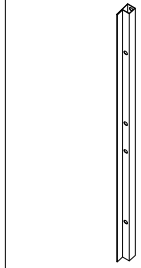


FF x20

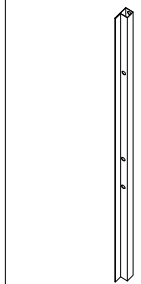


M6x20

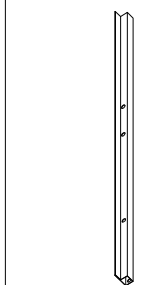
28



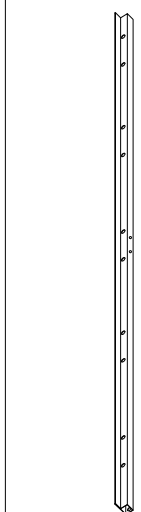
M1 x2



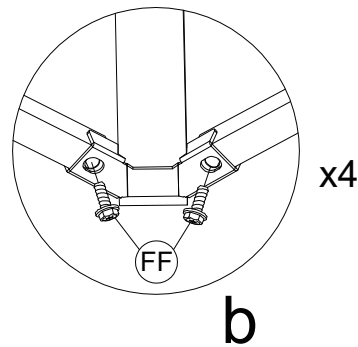
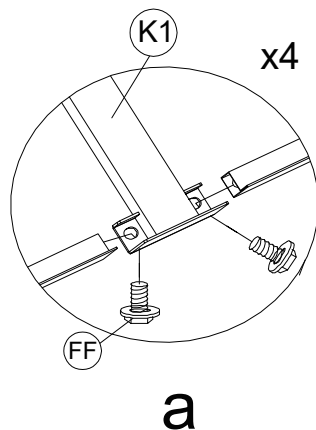
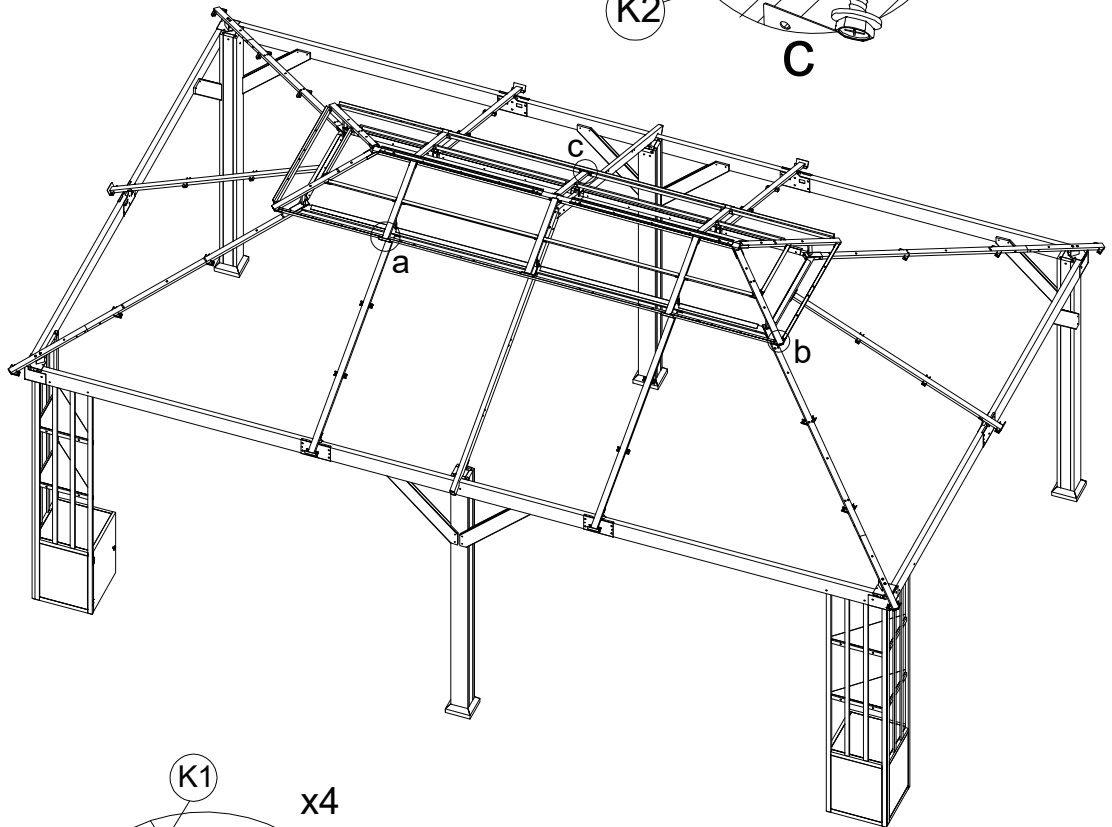
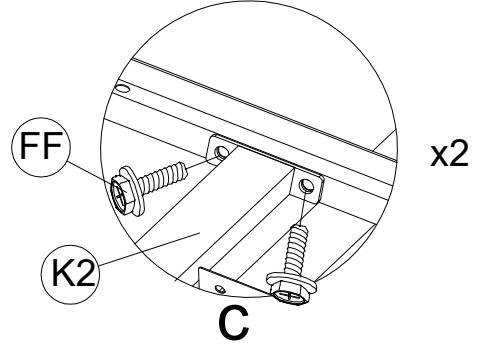
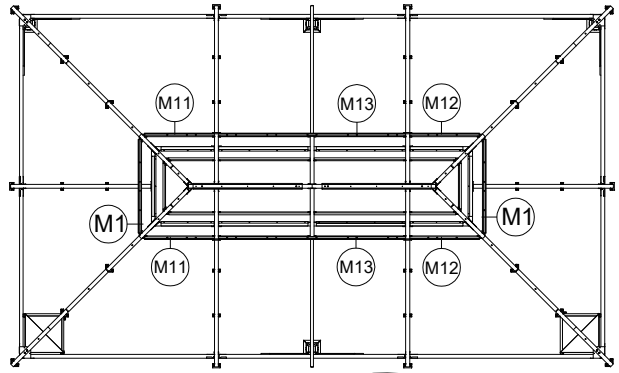
M11 x2



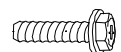
M12 x2



M13 x2

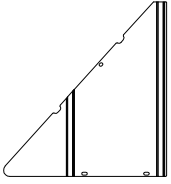


FF x20

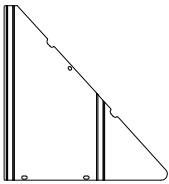


M6x20

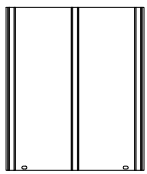
29



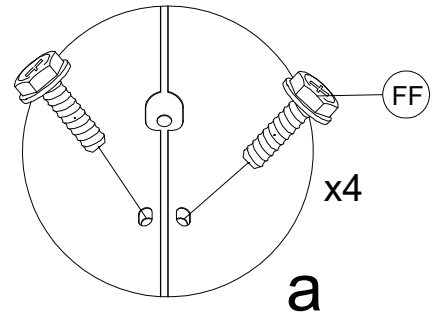
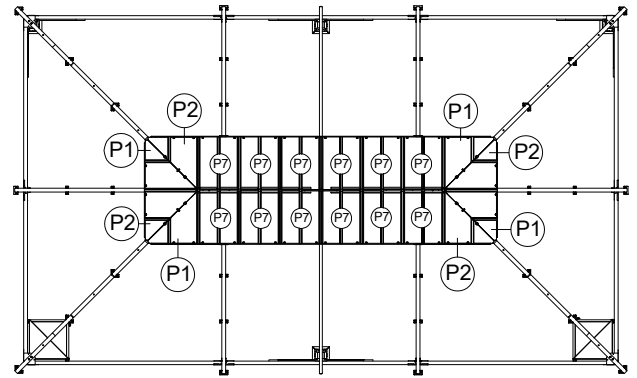
P1 x4



P2 x4

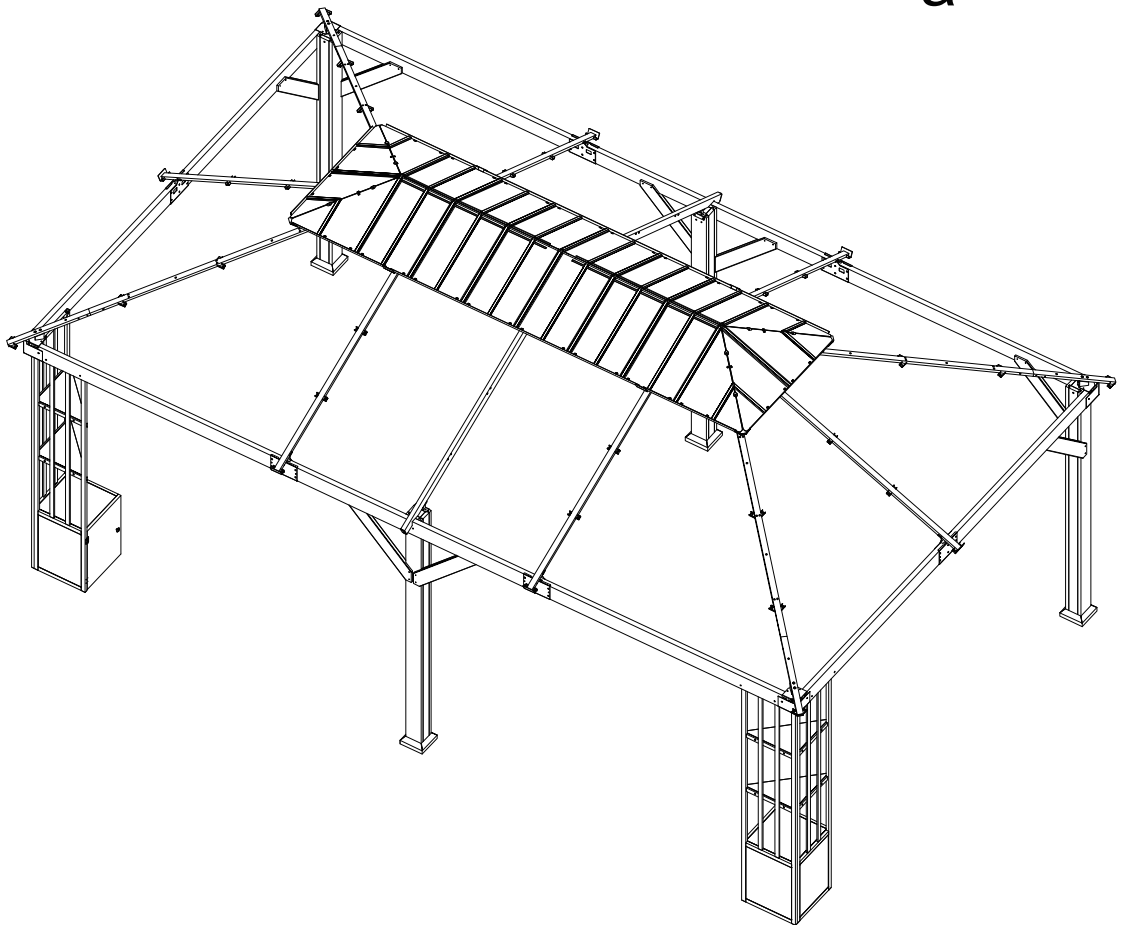


P7 x12

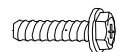


x4

a

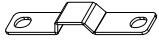


FF x8

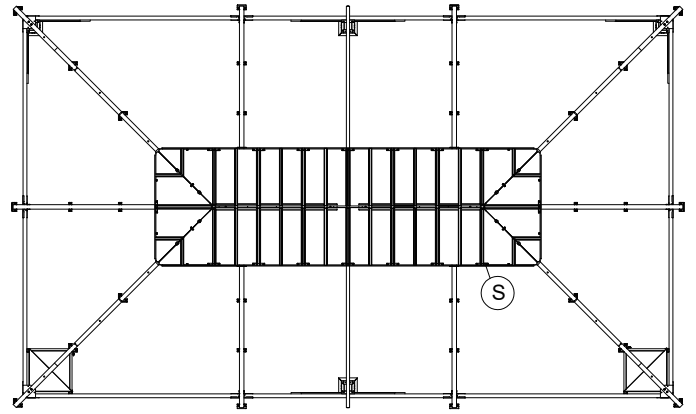


M6x20

30

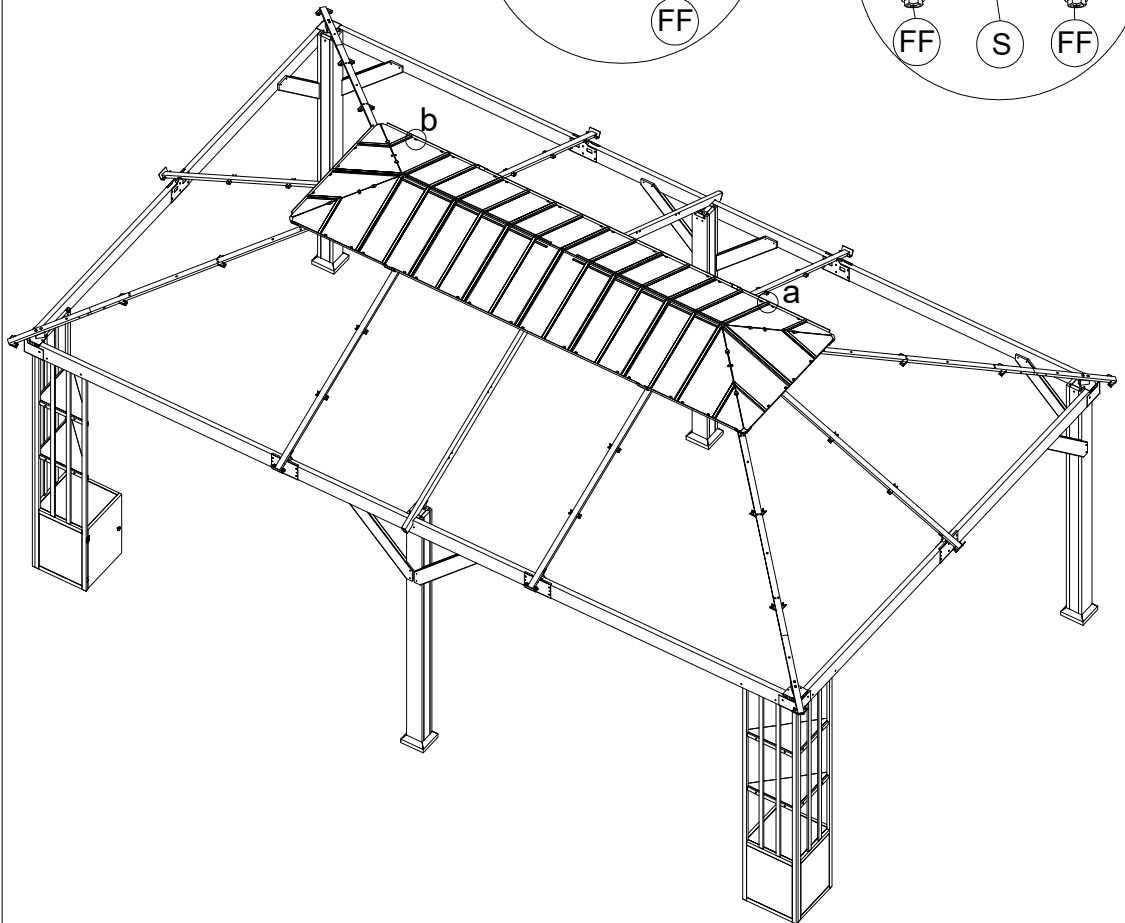
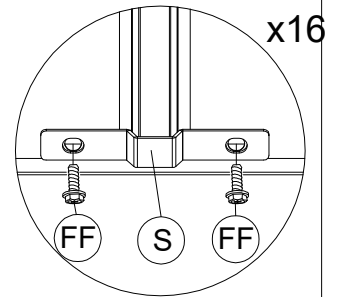
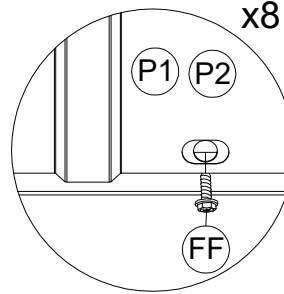


(S) x16



b

a



(FF) x40

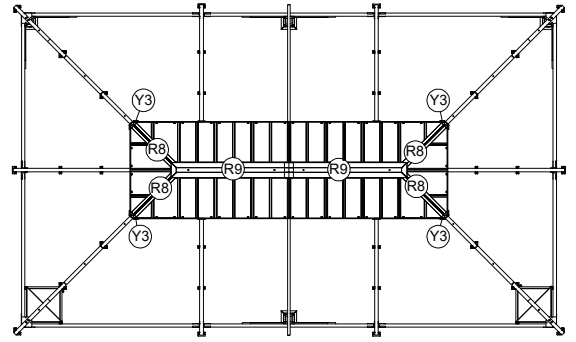
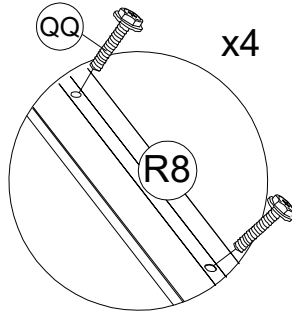


M6x20

31

STEP 1

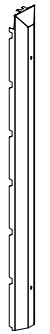
a



(R8) x4



(R9) x2



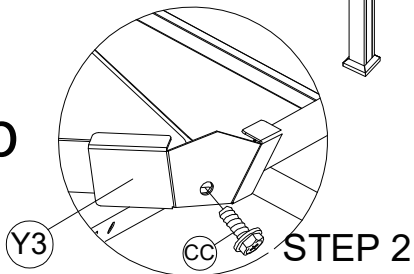
(P) x2



(Y3) x4



b



(Y3)

(CC)

STEP 2

(R9)

(R9)

(P)

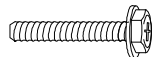
(P)

(D8)

(D8)

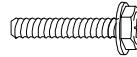
STEP 3

(KK) x4



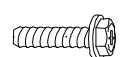
M6x45

(QQ) x8



M6x40

(CC) x4



M6x35

32



L5 x4



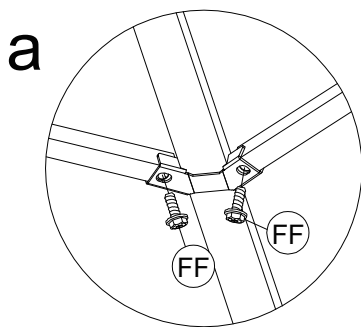
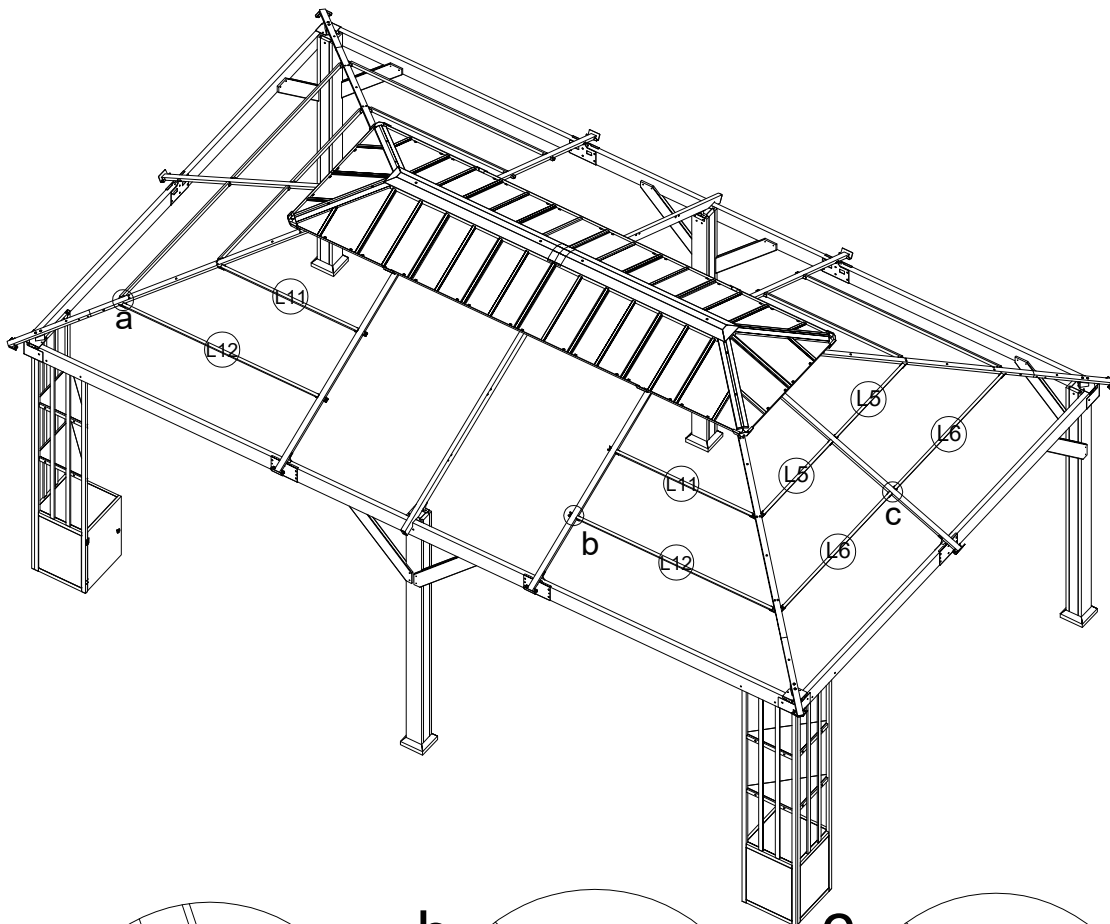
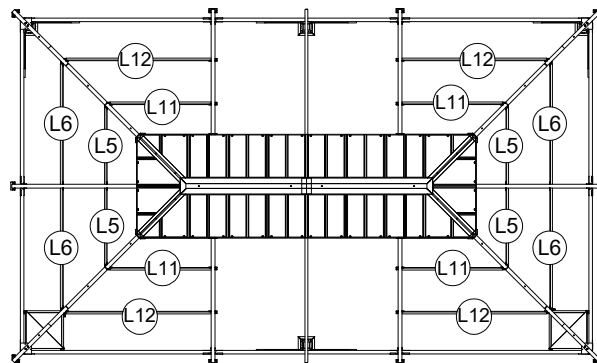
L6 x4



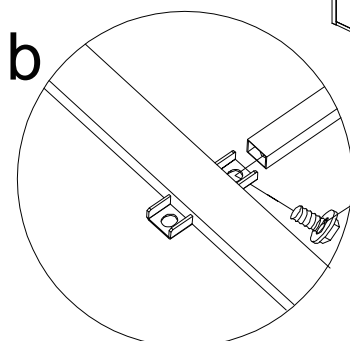
L11 x4



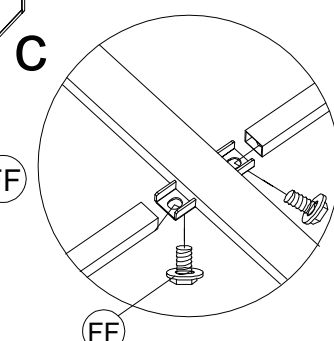
L12 x4



x8

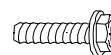


x8



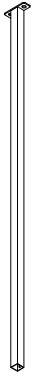
x8

FF x32

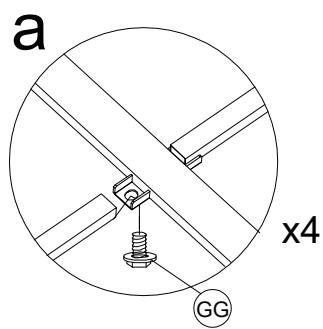
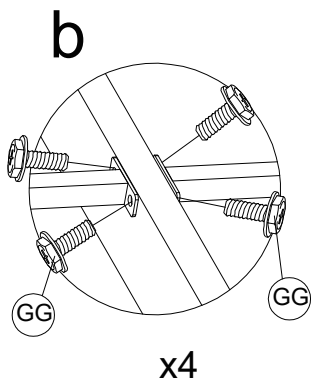
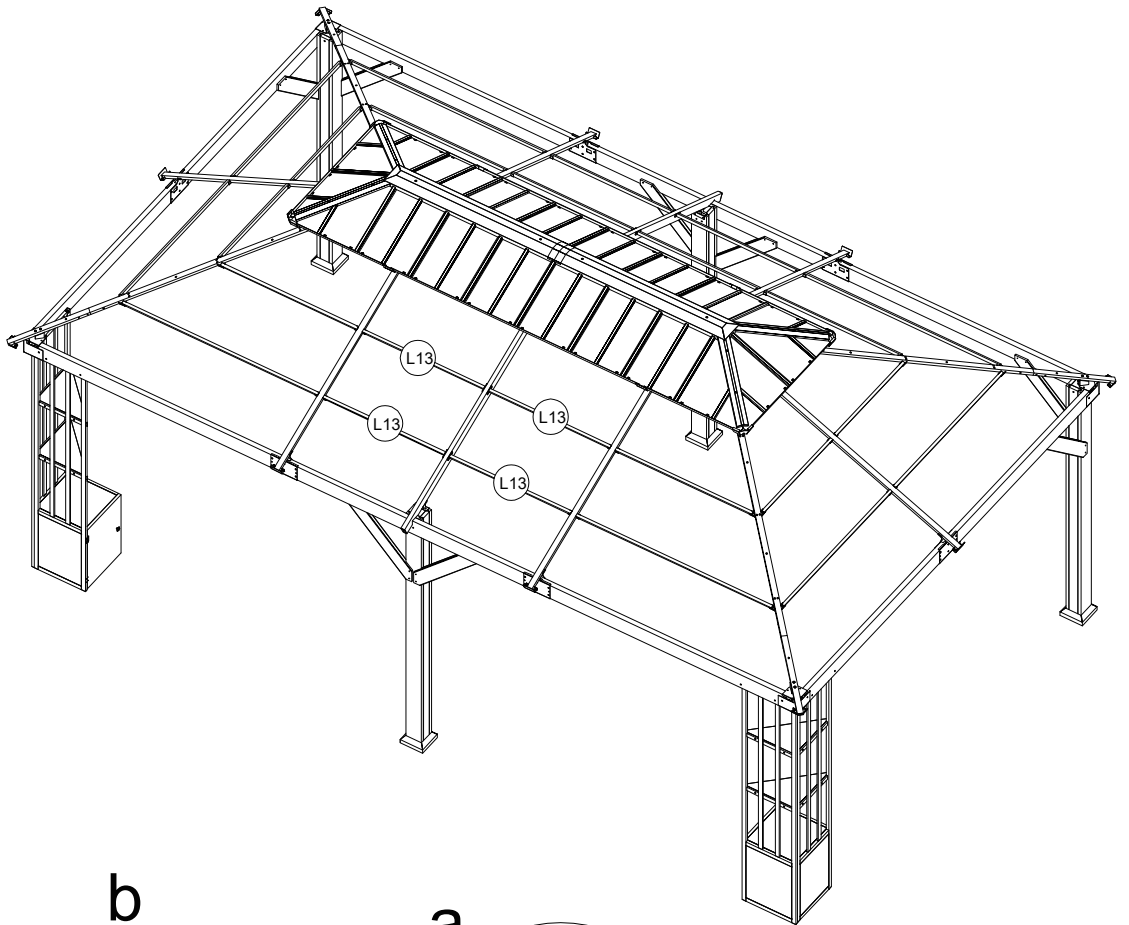
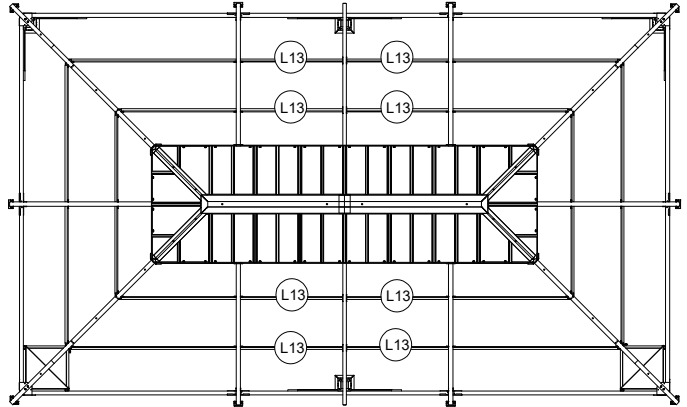


M6x20

33



L13 x8

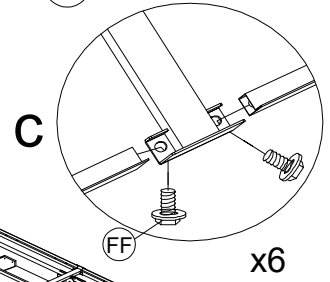
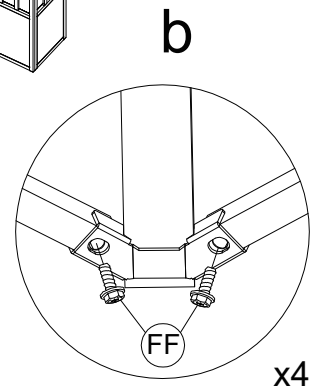
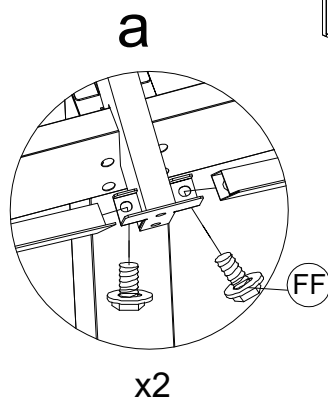
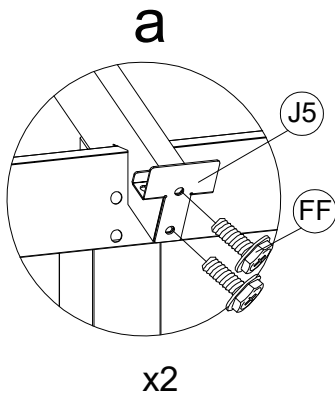
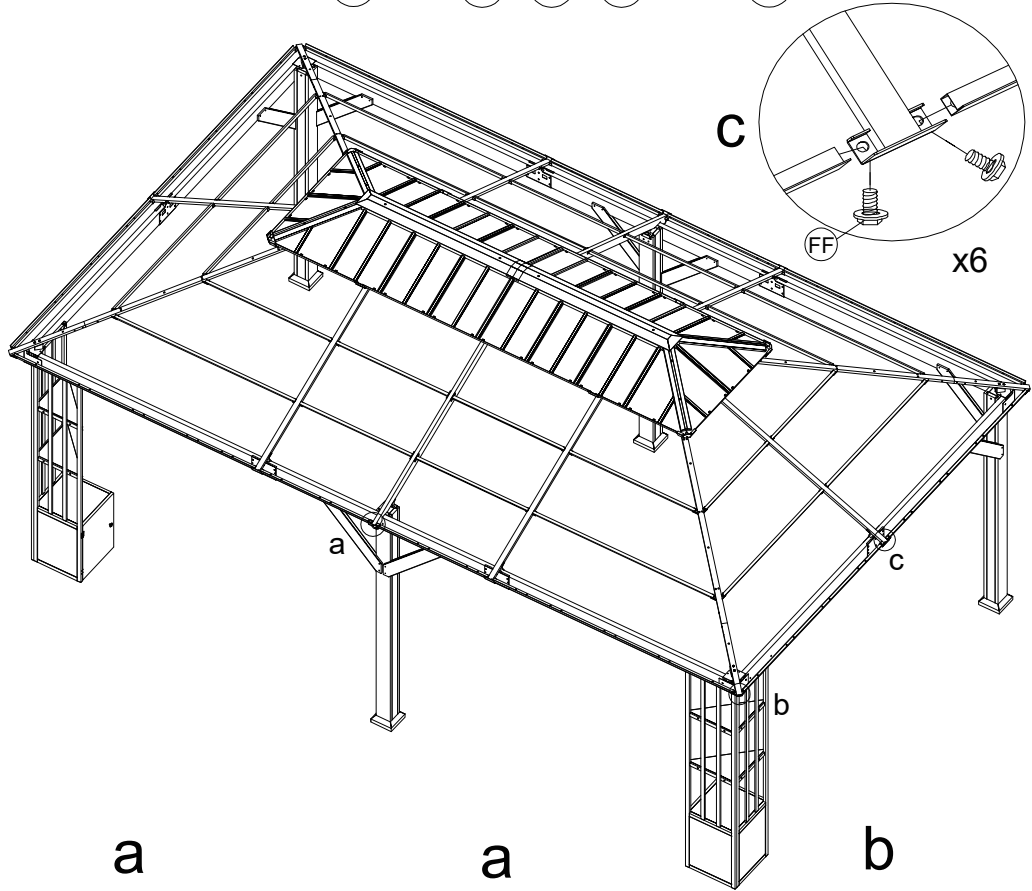
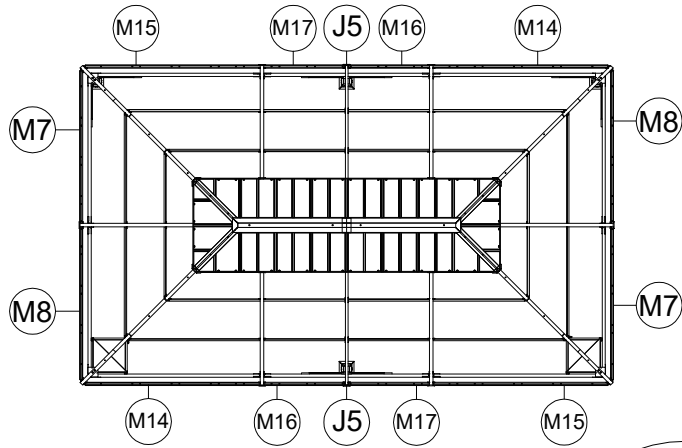
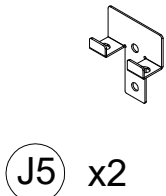
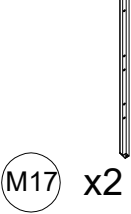
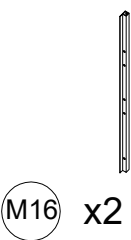
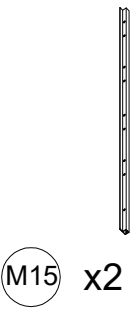
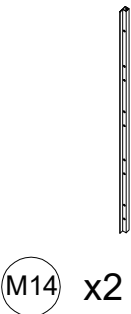
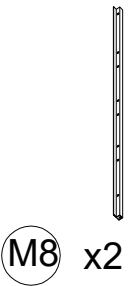
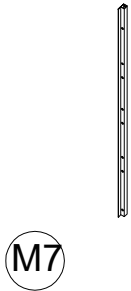


GG x24

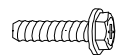


M6x15

34

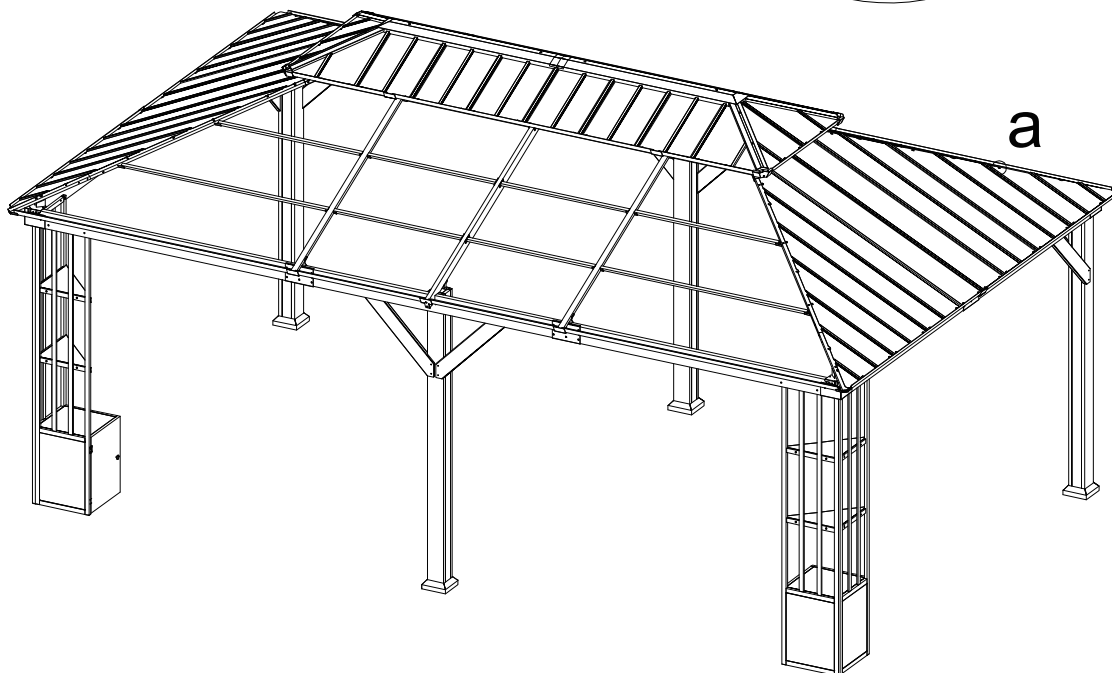
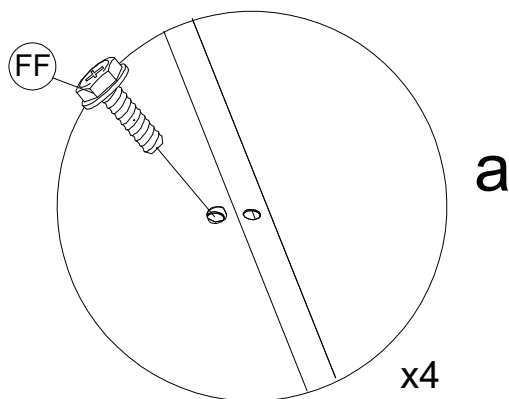
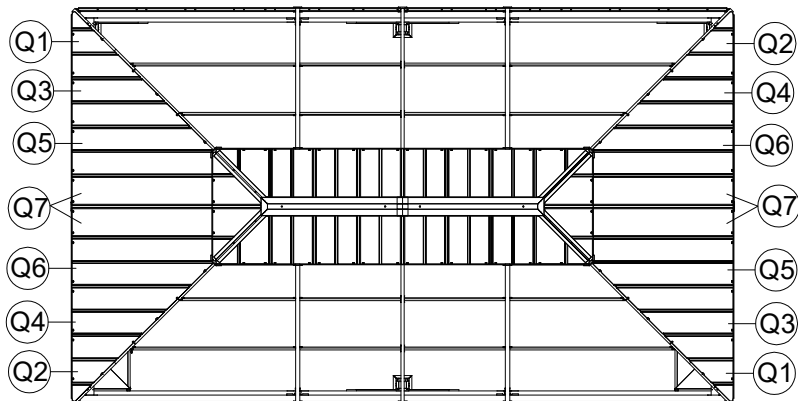
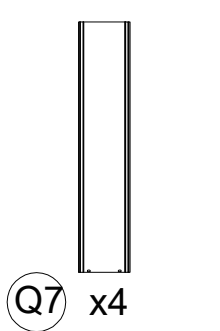
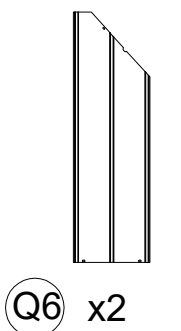
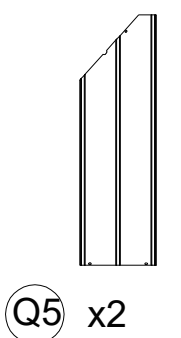
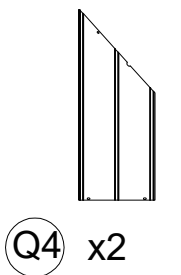
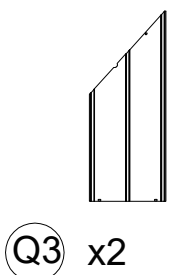
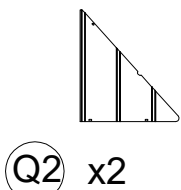
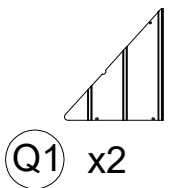


FF x28

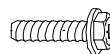


M6x20

35

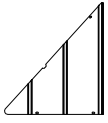


FF x12

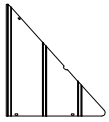


M6x20

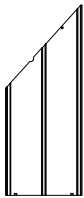
36



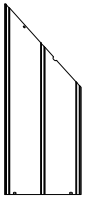
Q1 x2



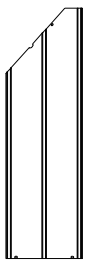
Q2 x2



Q3 x2



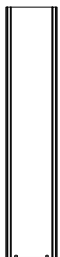
Q4 x2



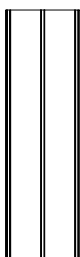
Q5 x2



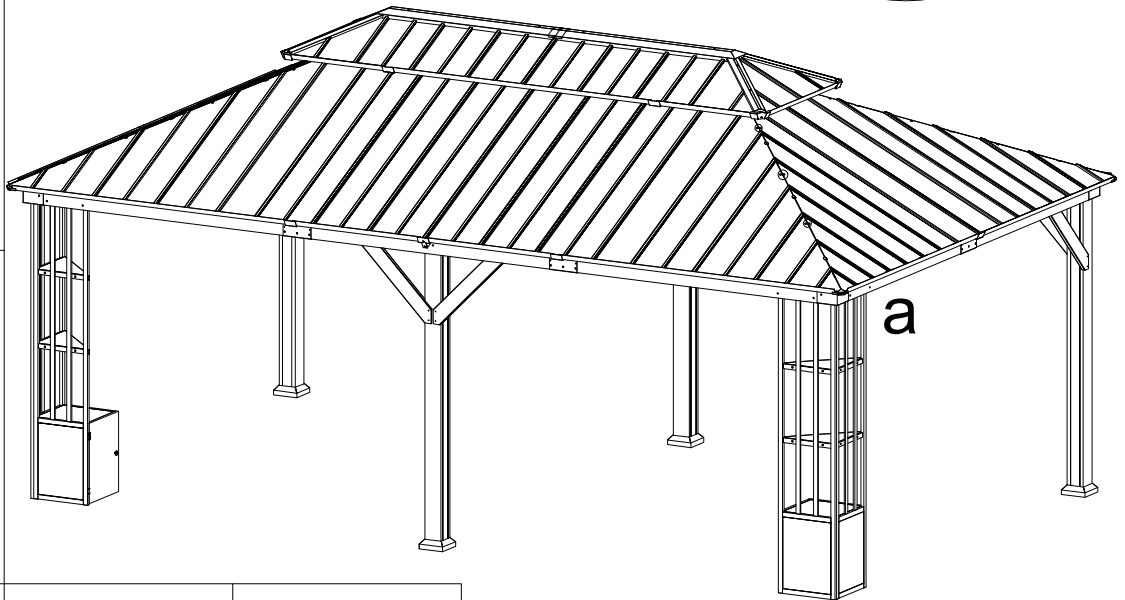
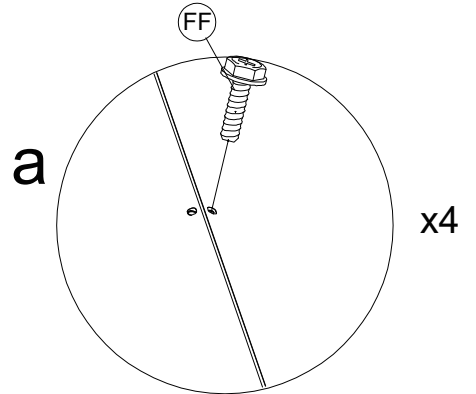
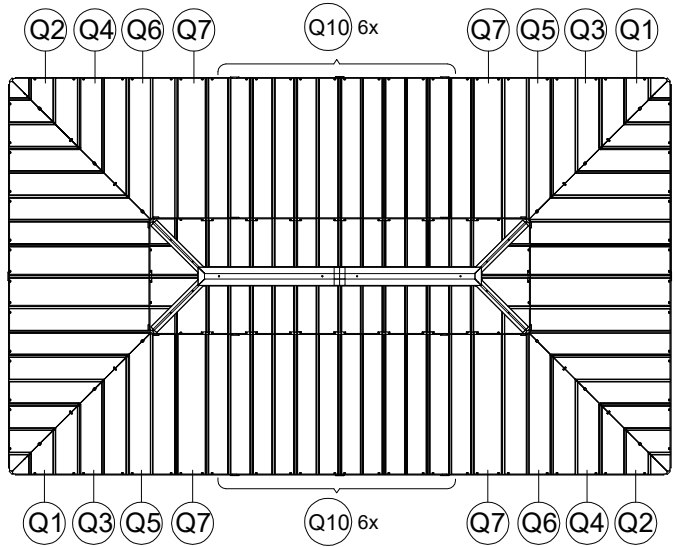
Q6 x2



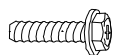
Q7 x4



Q10 x12



FF x12

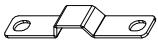


M6x20

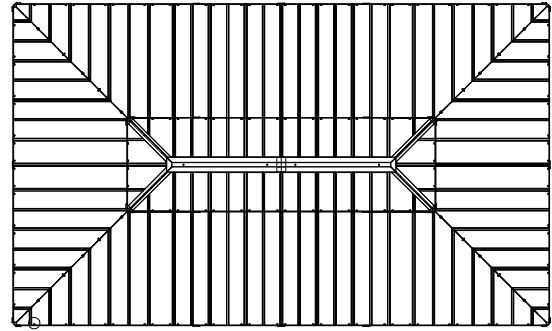
37



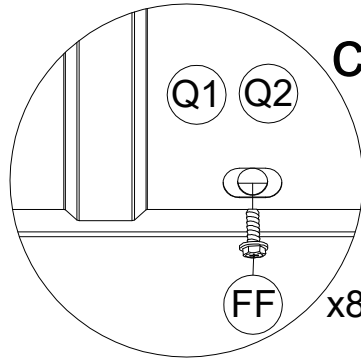
Y3 x4



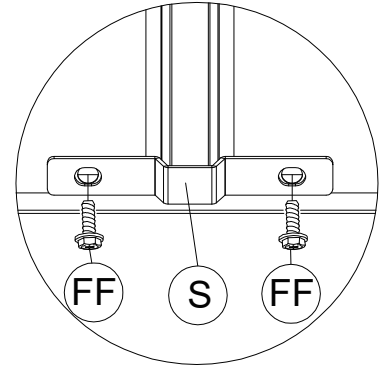
S x40



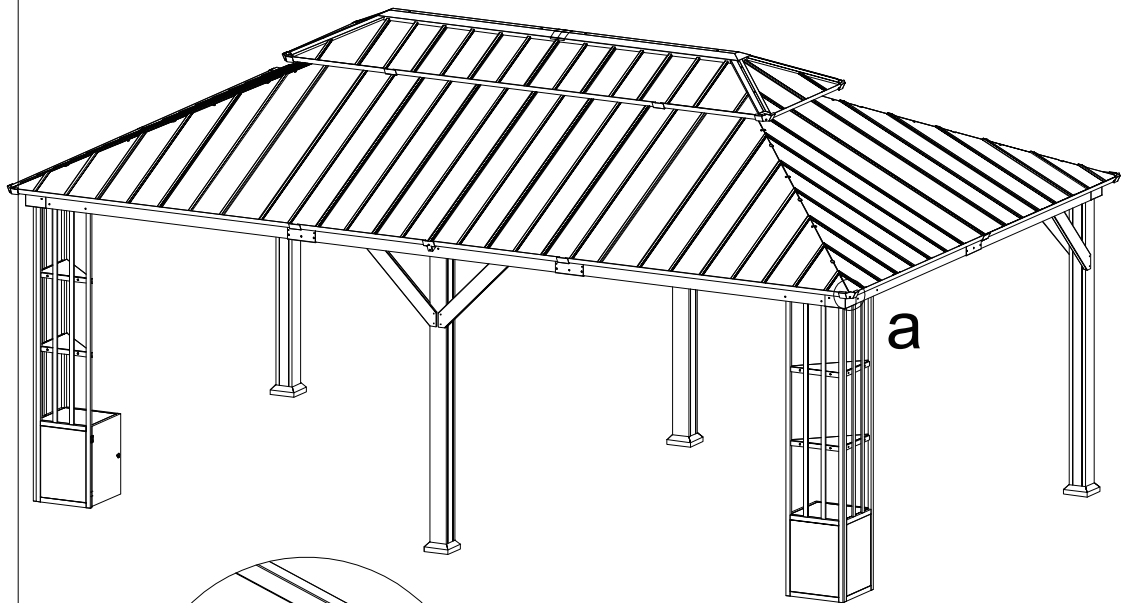
C



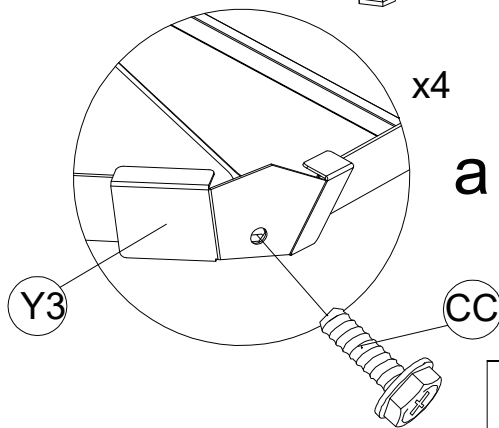
x8



x40



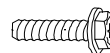
a



x4

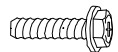
a

CC x4



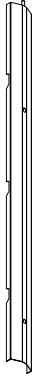
M6x35

FF x88



M6x20

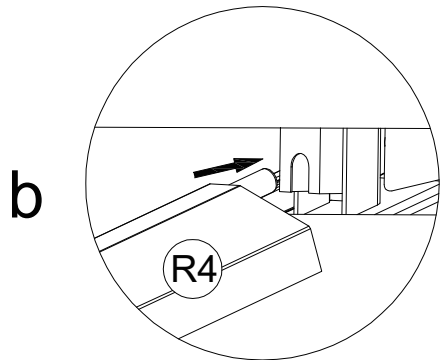
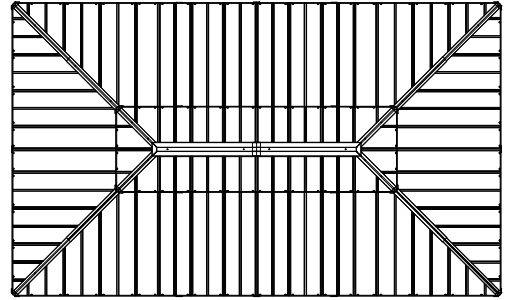
38



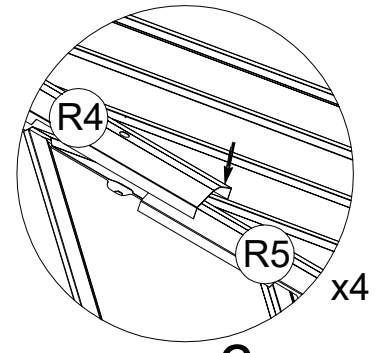
R4 x4



R5 x4

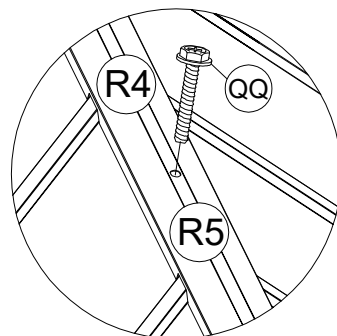
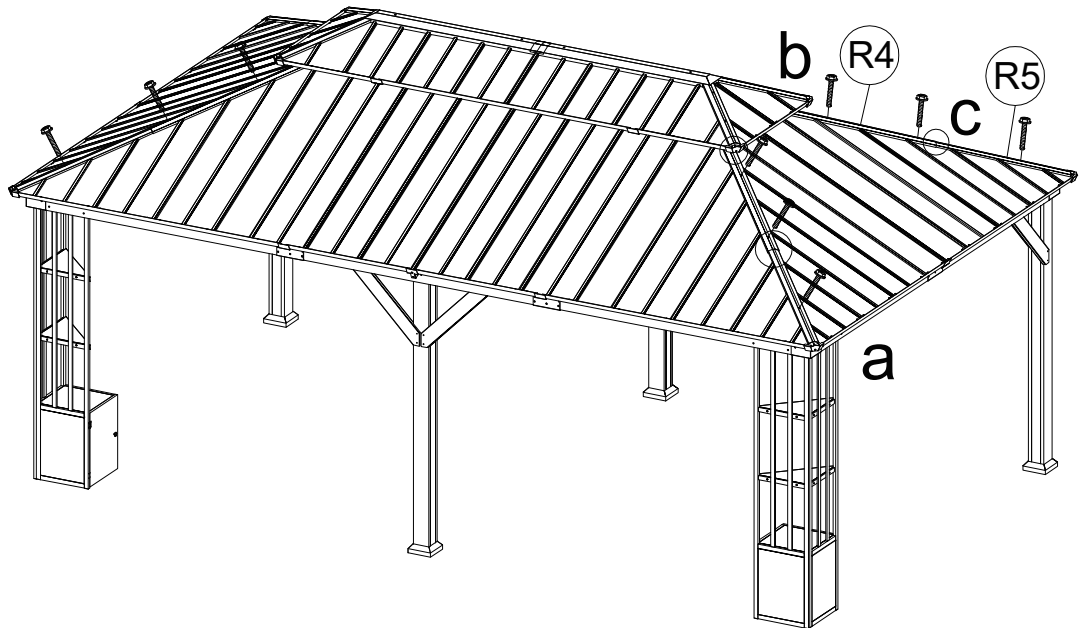


x4



C

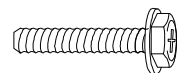
x4



x4

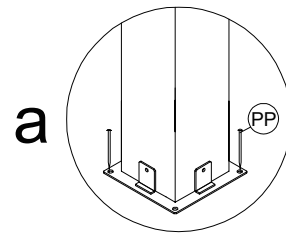
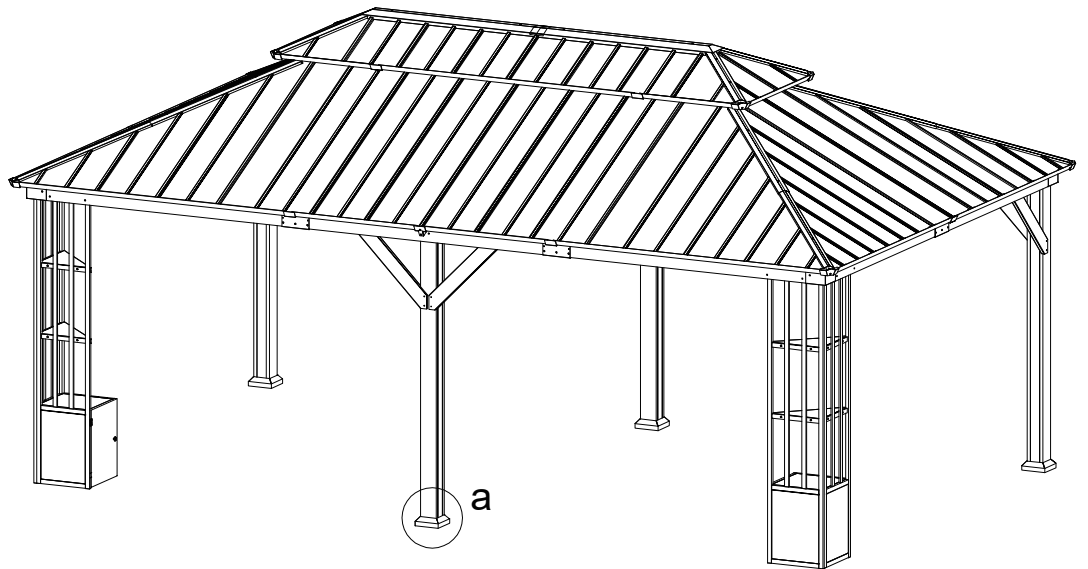
a

QQ x12

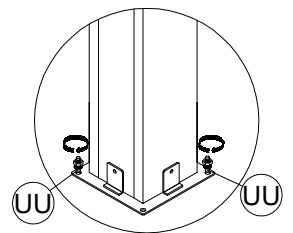
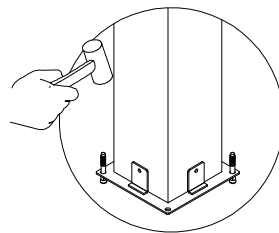
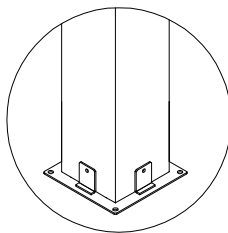
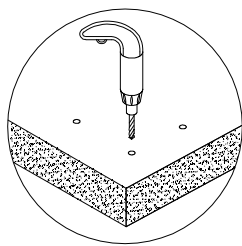


M6x40

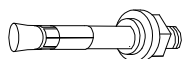
39



x6

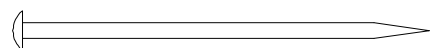


UU x8



M6x80

PP x8



D8x180