



Kindly Remind

**It is not easy to meet each other in such a big world
Thank You for Your Purchase!**

Dear Valued Customer,

If you encounter any issues, please contact us. Our support team is here to help.

Please provide us below information when you contact us:

1. Purchase order number and platform
2. Problem details(including damage or missing parts number, problem picture)

Response Hours: In 24 hours

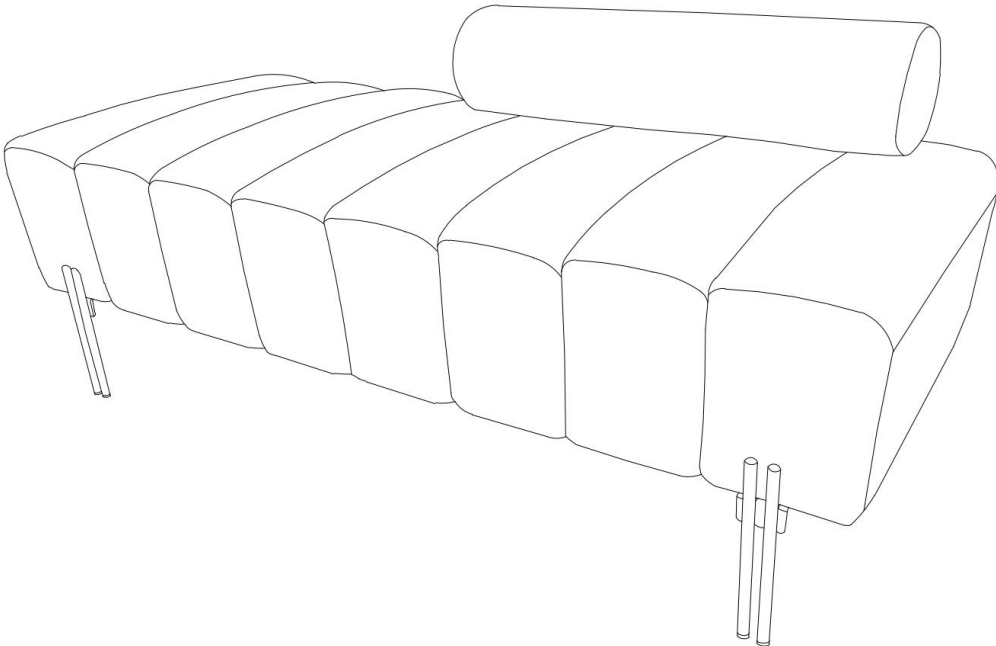
Return policy:

1. Save time and money: Don't return the product without contacting US
2. Don't open all packages if returning, use the original package for return
3. For quality issues, provide images or videos for a quick solution within 24 hours.

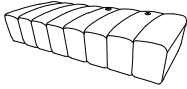

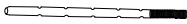
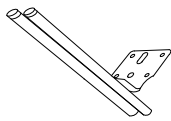
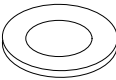
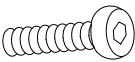



ASSEMBLY INSTRUCTIONS

Thank you for choosing our product!

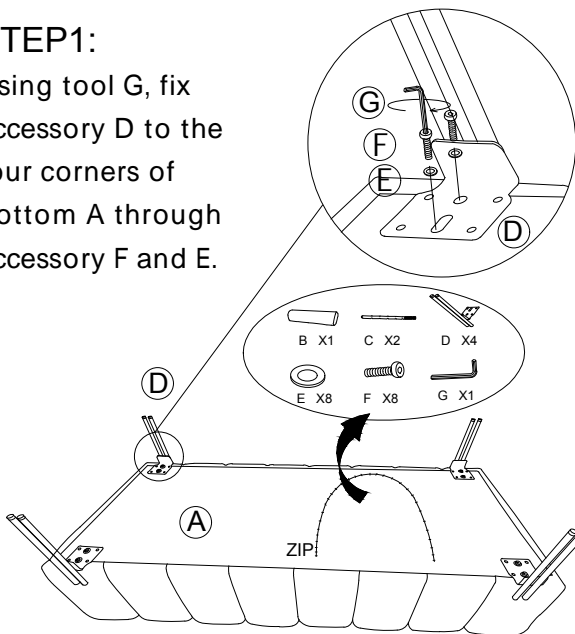


ASSEMBLY INSTRUCTIONS

<p>Bench Body</p>  <p>A X1</p>	<p>Backrest Pillow</p>  <p>B X1</p>	<p>height adjustment lever</p>  <p>C X2</p>	<p>Legs</p>  <p>D X4</p>
<p>Gaskets</p>  <p>E X8</p>	<p>Screws</p>  <p>F X8</p>	<p>Wrench</p>  <p>G X1</p>	

STEP1:

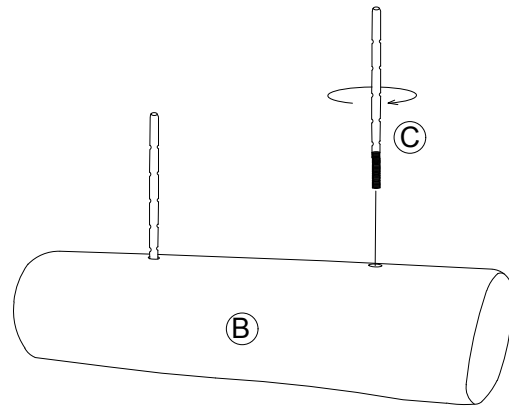
Using tool G, fix accessory D to the four corners of bottom A through accessory F and E.



Please note: The Parts B C D E F G located in the bottom of bed bench, please open the zipper to find them

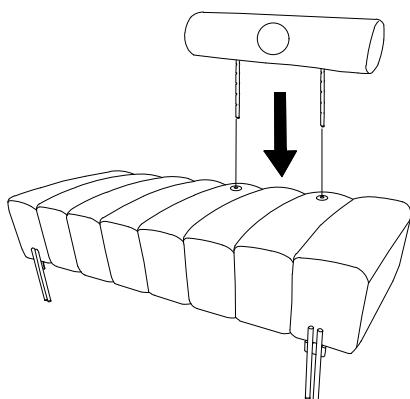
STEP2:

Screw Part C clockwise into the reserved hole at the bottom of the backrest B.



STEP3:

Align the installed components B and C with the two pre-drilled holes on surface A, and press them downward vertically. Please note that this back reset is adjustable in height. According to your needs.



Complete

