

Welded Dog Kennel Assembly Instructions

www.paylesshere.com

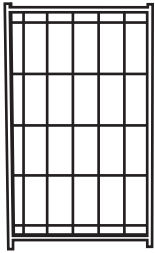
JS-WDK-9863-FDW



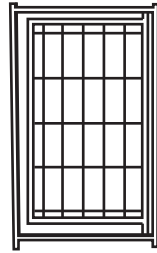
WARNING

- Please read the instruction manual carefully before using it.
- Please assemble strictly in accordance with the instruction.
- Please double check to the ensure that all parts of the package contents intact
If you any parts are missing, broken, damaged or worn, stop using this products until repairs are made and factory replacement parts are installed.

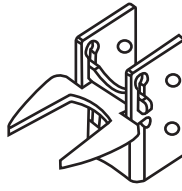
Parts List



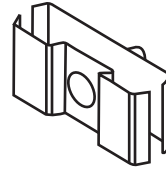
A plain panels
11pcs



B gate panel
1pc



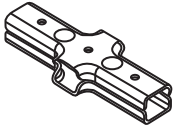
C gate latch
1pc



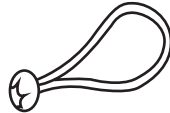
D clamp(W bolt Wing nut)
24pcs



E ridge pole clamp
2pcs



F ridge pole clamp
1pc



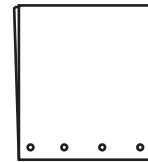
G bungee cord
16pcs



H roof Truss frame
3pcs



I pole section
2pcs

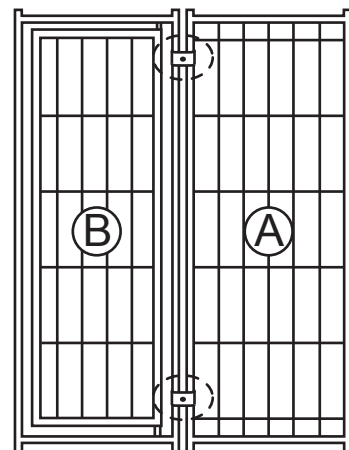
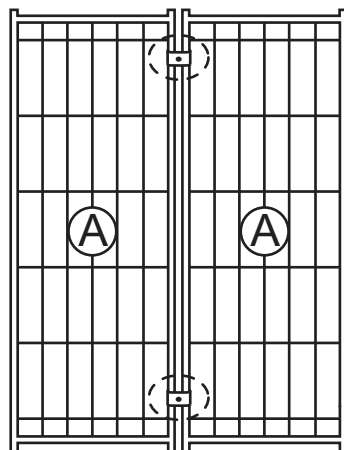
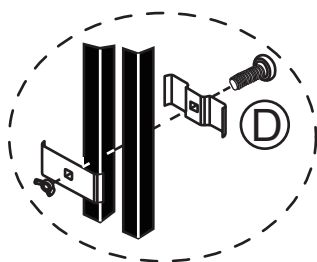
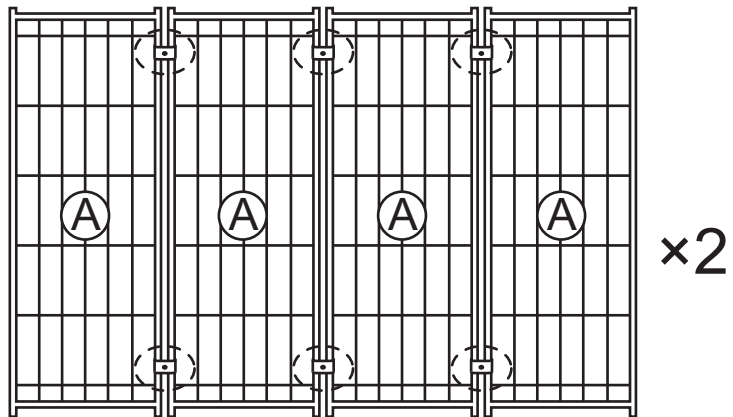


J roof cover
1pc



K Pipe plug
42pcs

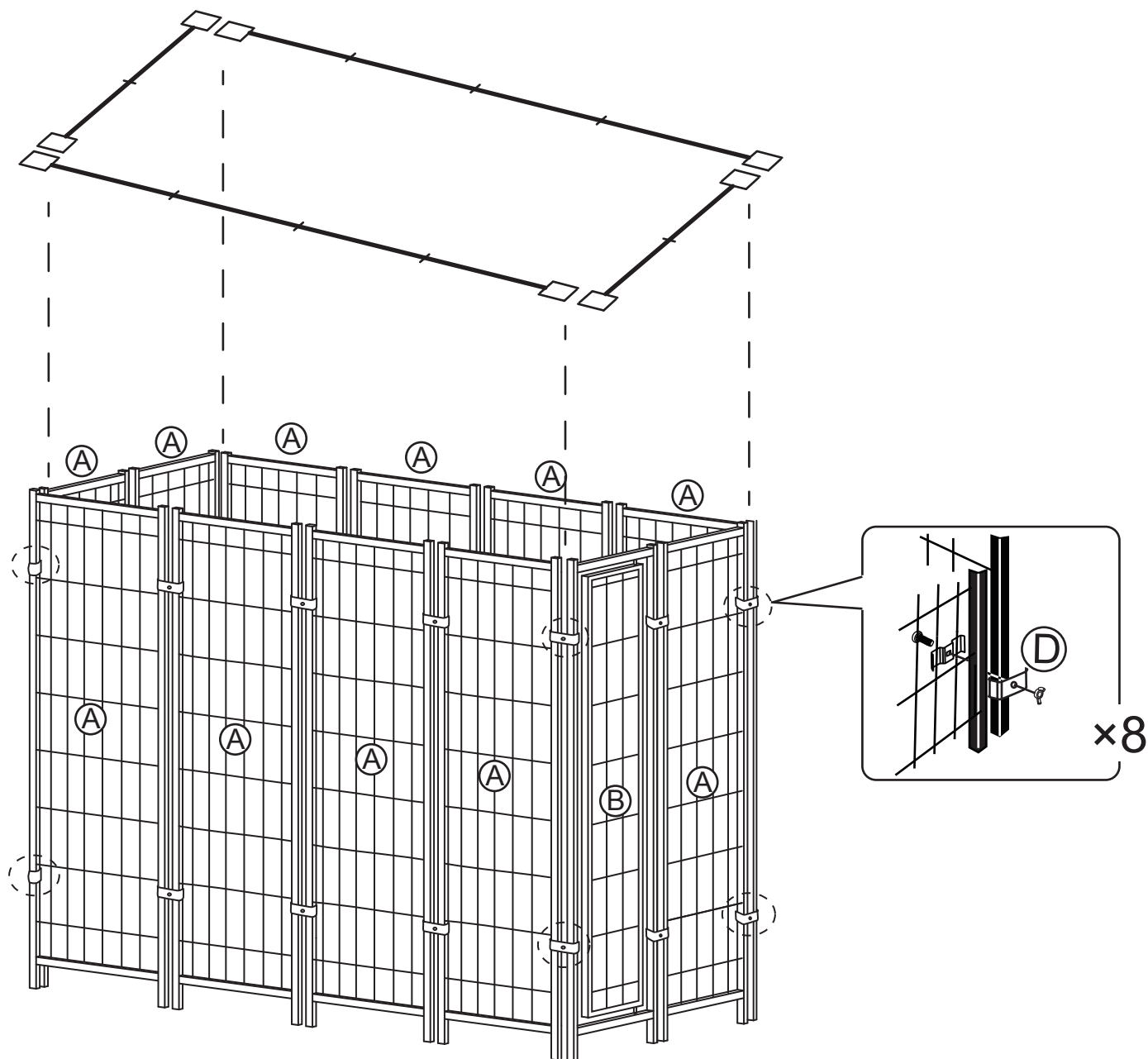
1



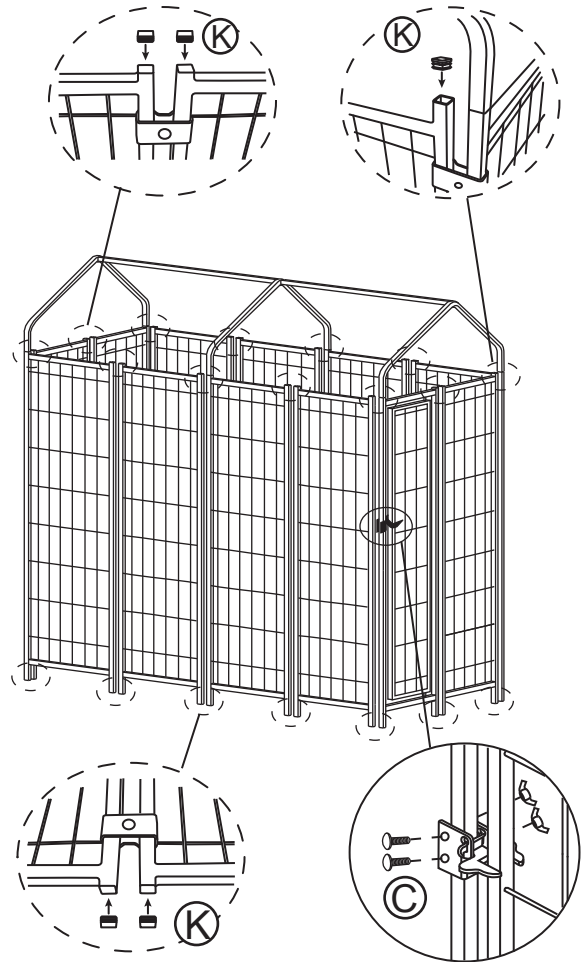
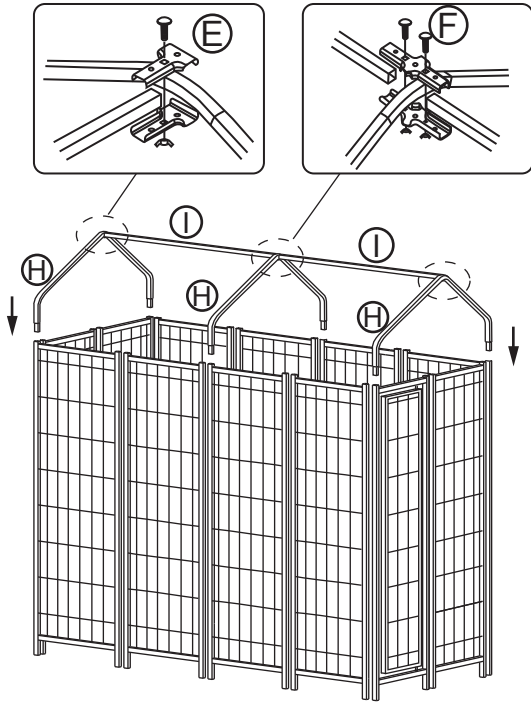
2

NOTE: Wing nut should face outside of kennel for pet safety & tighten all once assembled to secure kennel.

Please pay attention to the arrangement of each piece and install following the diagram.



3



Insert ends of roof truss frames into the corner of the kennel at each end and in the center of the kennel. Loosely attach center clamp to the roof truss in the center of the kennel. Insert ridge Pole in and then attach at opposite end with ridge Pole clamp. Repeat on the other side of the center clamp.

4

Place cover over frame and evenly attach using bungee cords connectors provided.

