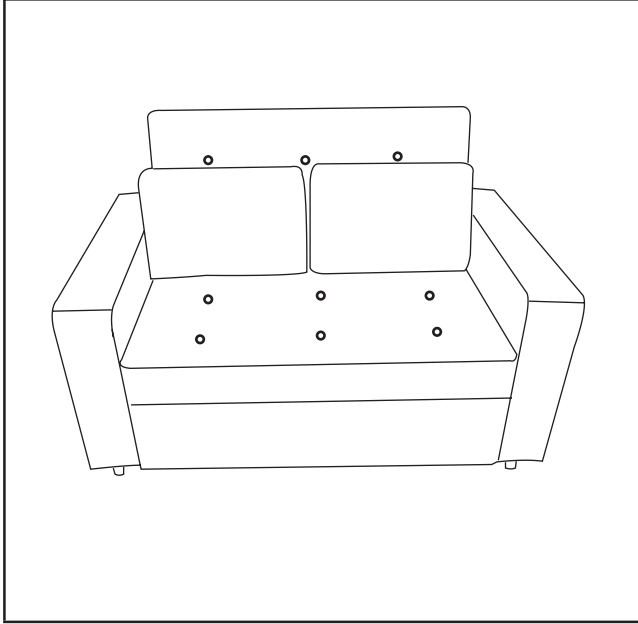


SOFA

ASSEMBLY & INSTRUCTION MANUAL

INSTALLATION GUIDE

PRODUCT IMAGES

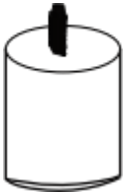


Thank you for purchasing this product.
Please read this instruction manual carefully
before use.
Keep these instructions for future reference

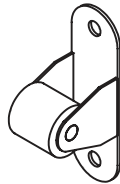
! Warning

Choking hazard-small parts.
Not suitable for children under 3 years old.

PLEASE MAKE SURE THE FOLLOWING PARTS ARE AVAILABLE BEFORE INSTALLATION



Leg
8X

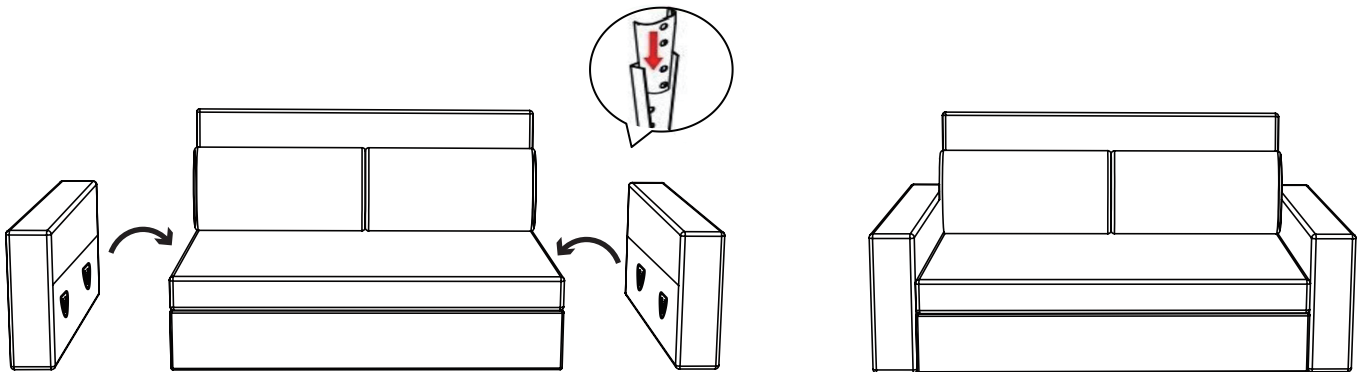


wheel
4x

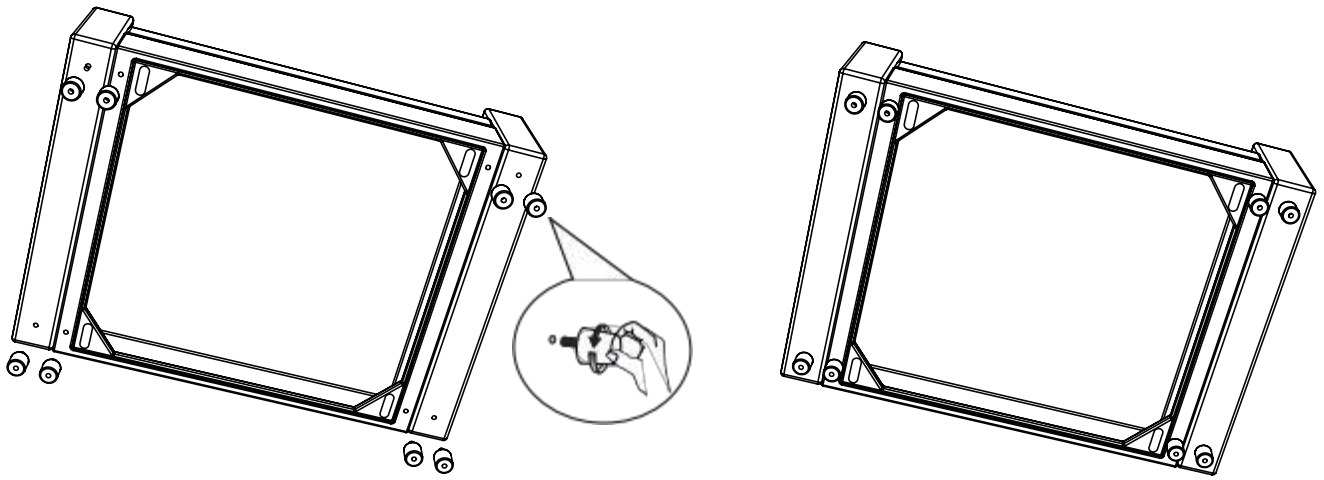


fastener
8x

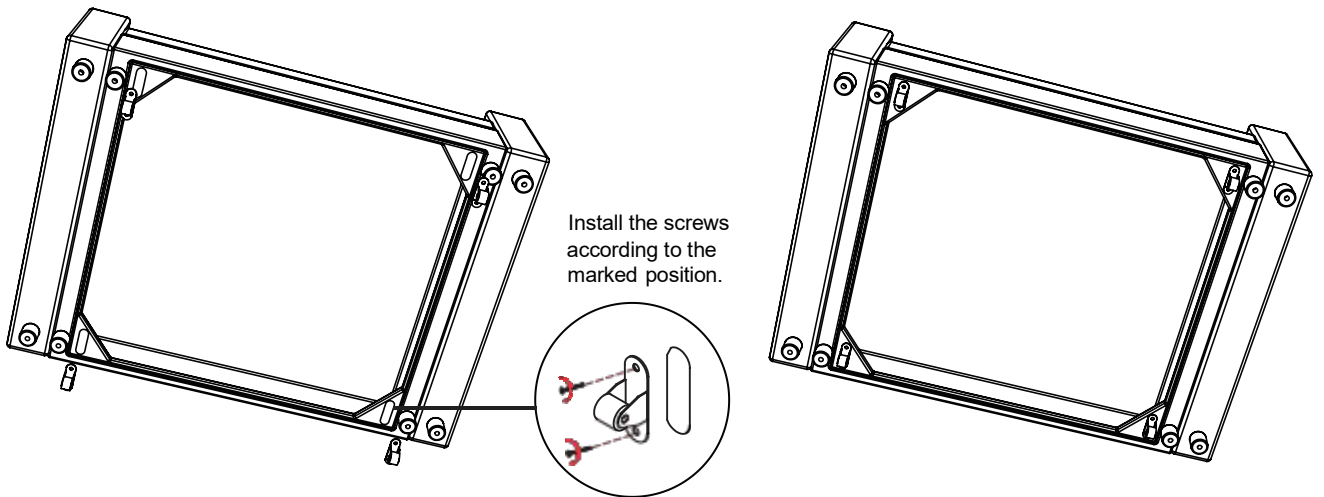
Please follow the following steps to install strictly



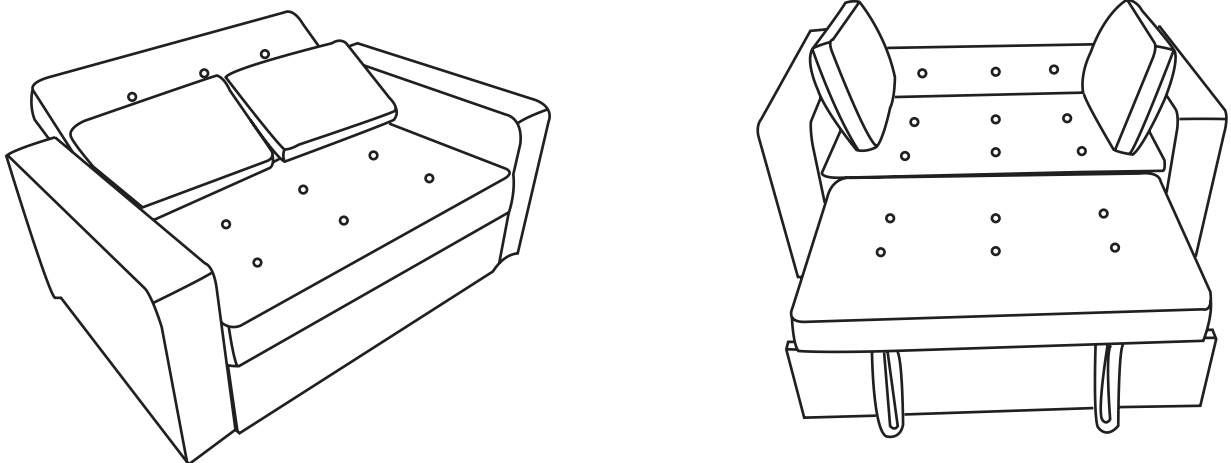
1 Snap in the handrails on both sides as shown, and snap them in place as shown in the right picture



2 Screw in the sofa feet in the manner shown and install as shown in the picture



3 Secure the wheel by screwing it in the manner shown in the figure, and install it as shown in the figure



4 The backrest can be flattened and the bottom of the cushion can be pulled out and used as a bed.