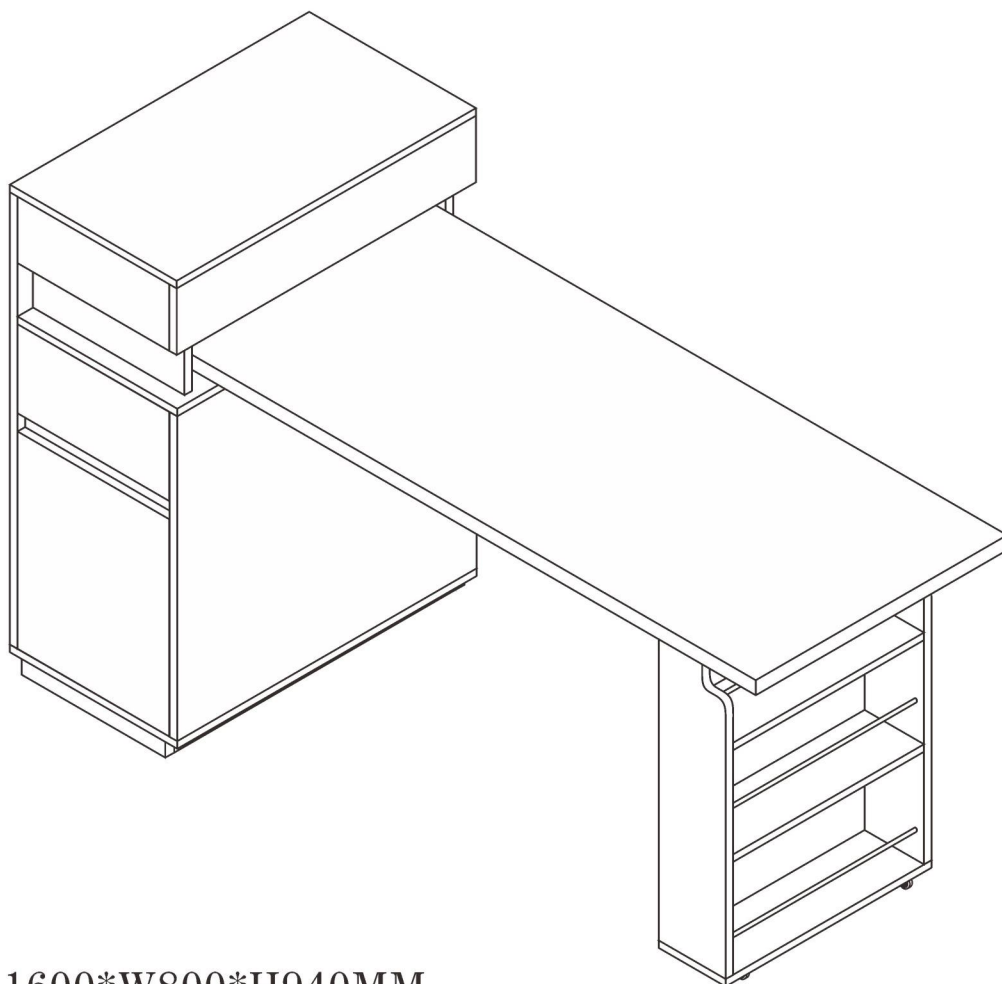


Island Station

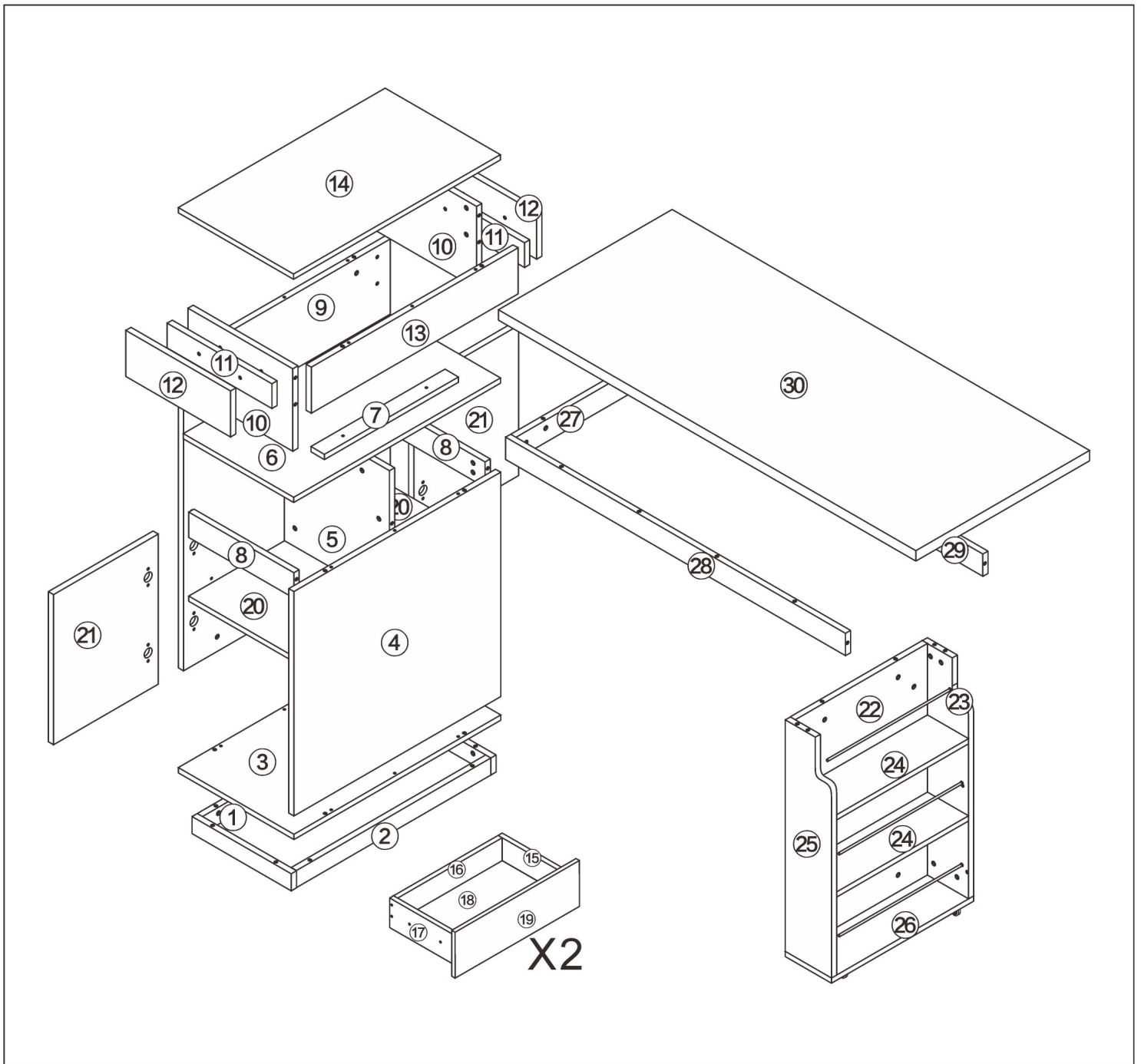


L1320-1600*W800*H940MM

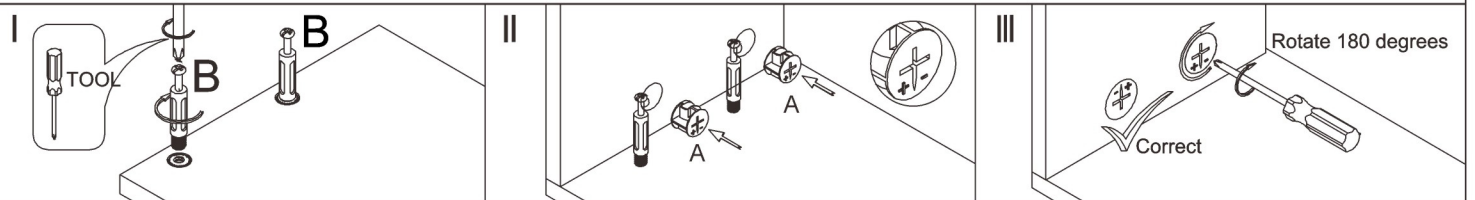









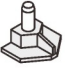








Installation Instructions

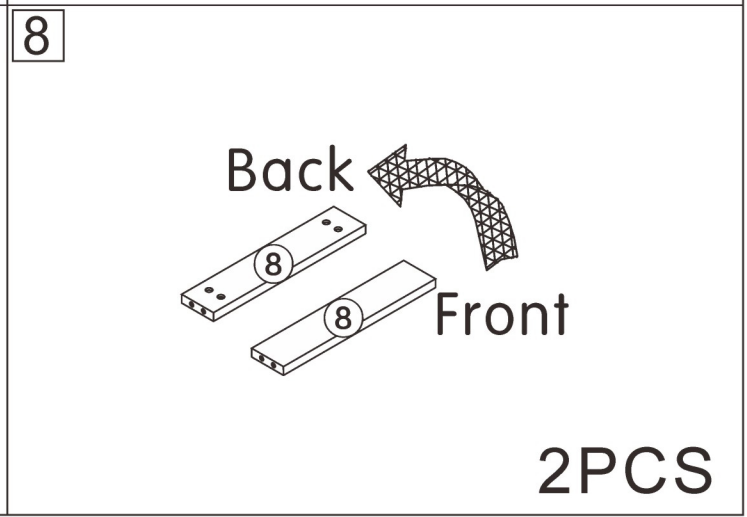
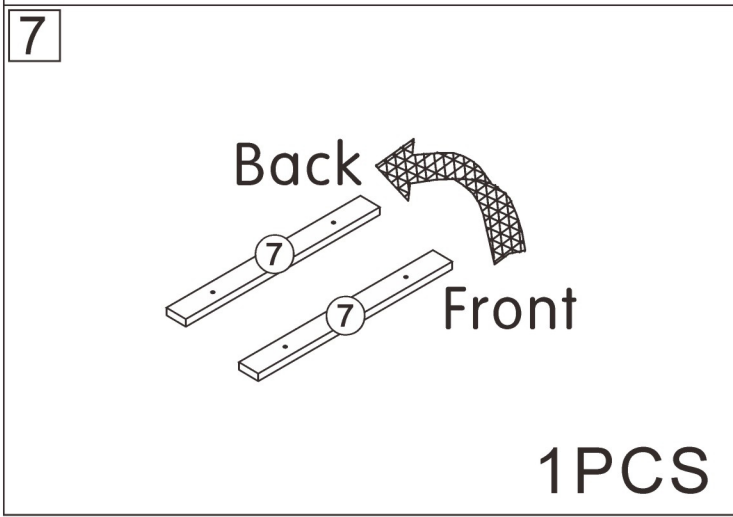
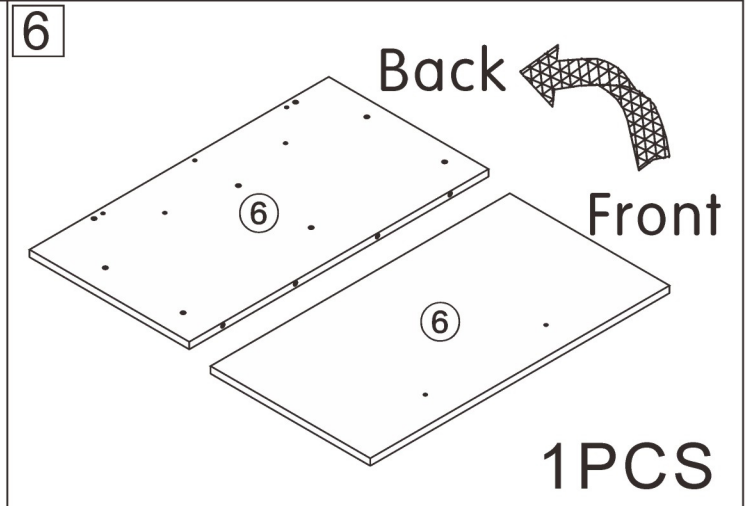
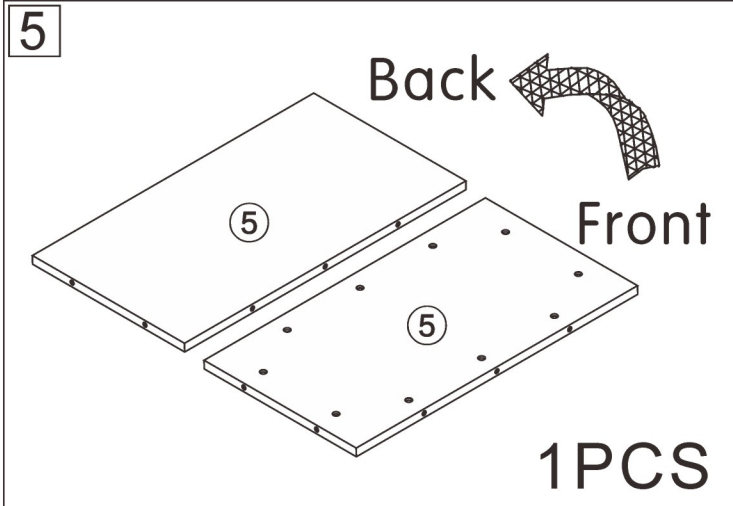
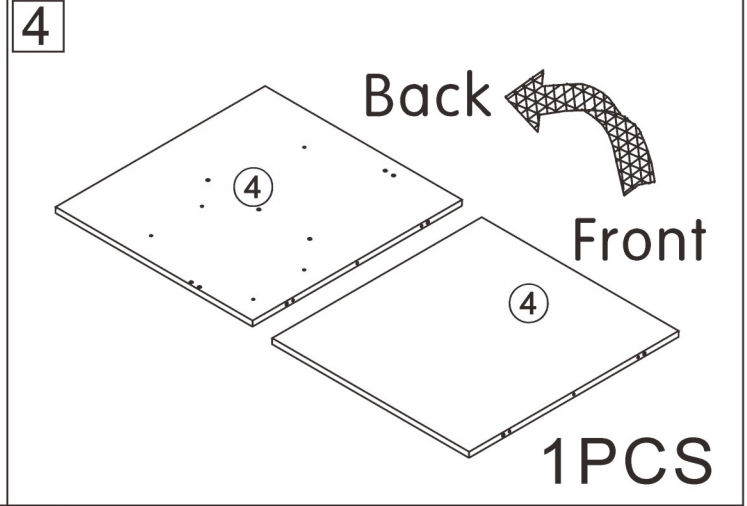
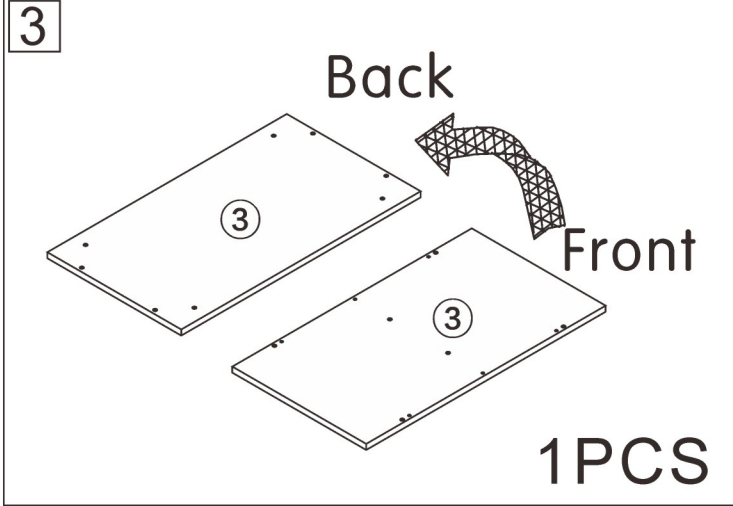
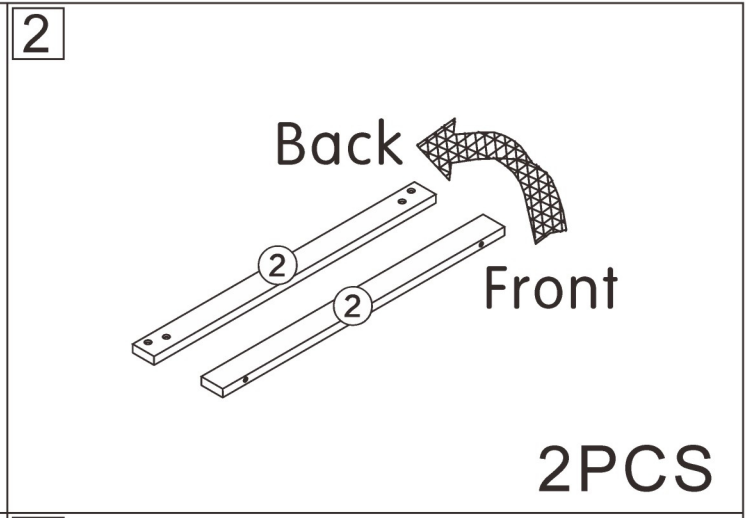
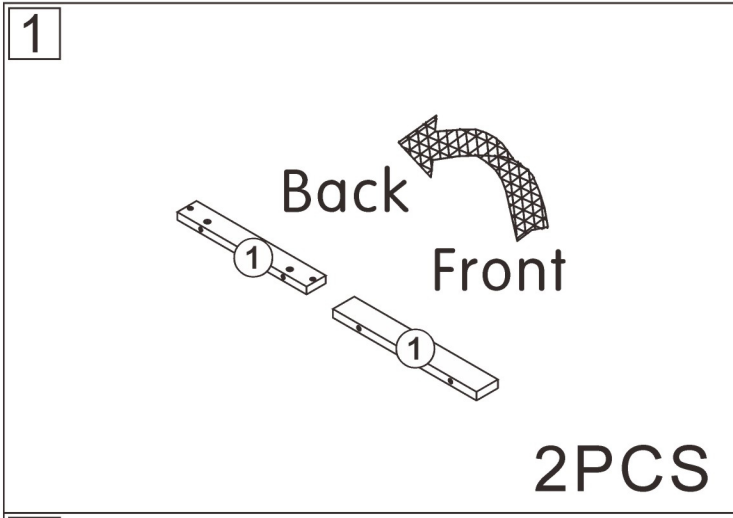
Notes: Don't tighten screws completely at first, just in case parts were assembled wrongly and need disassemble. Tighten screws at last when all parts are put together.

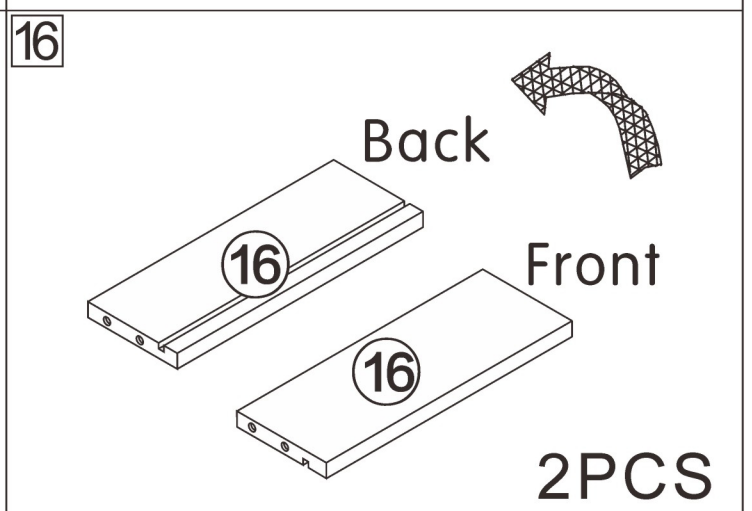
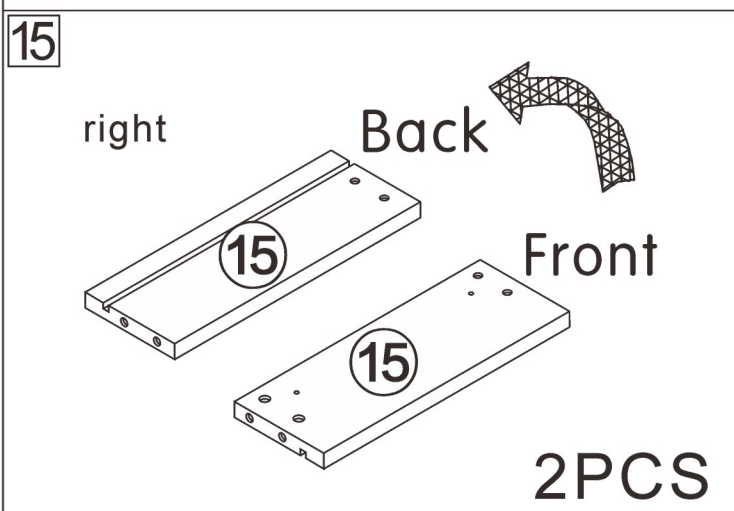
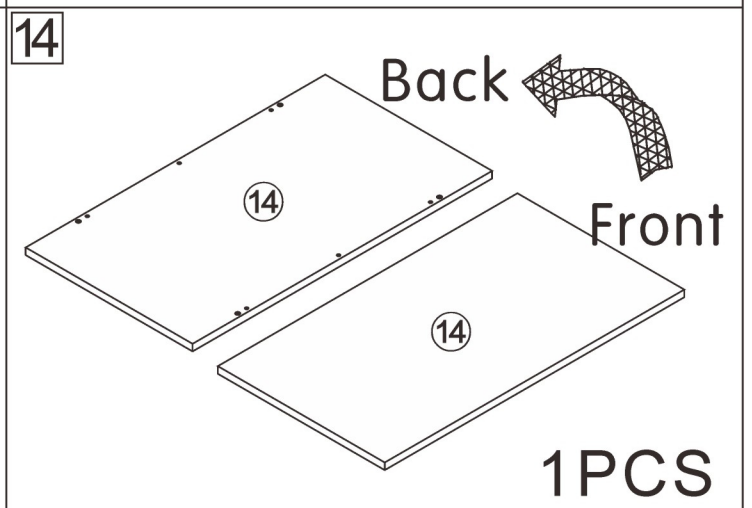
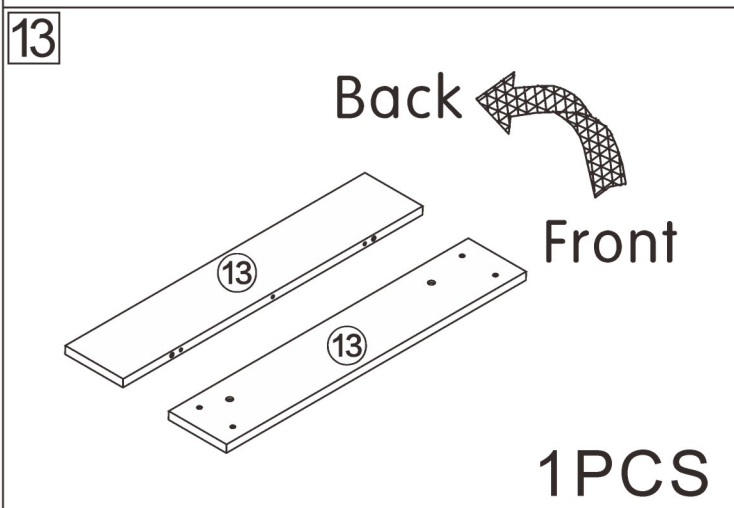
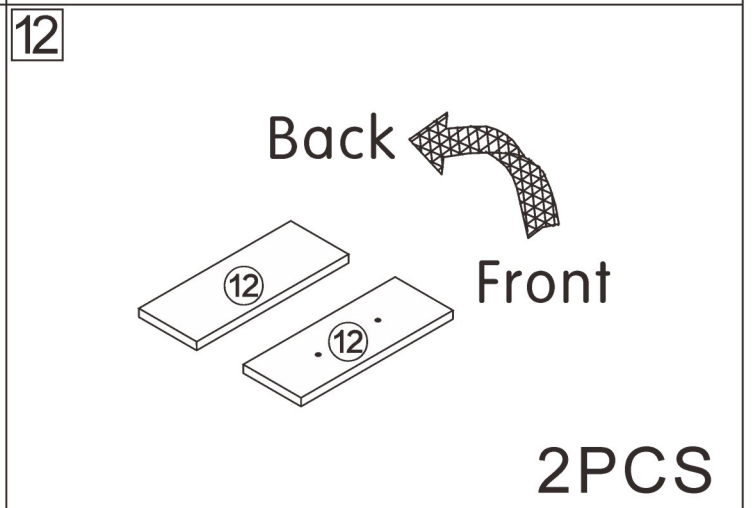
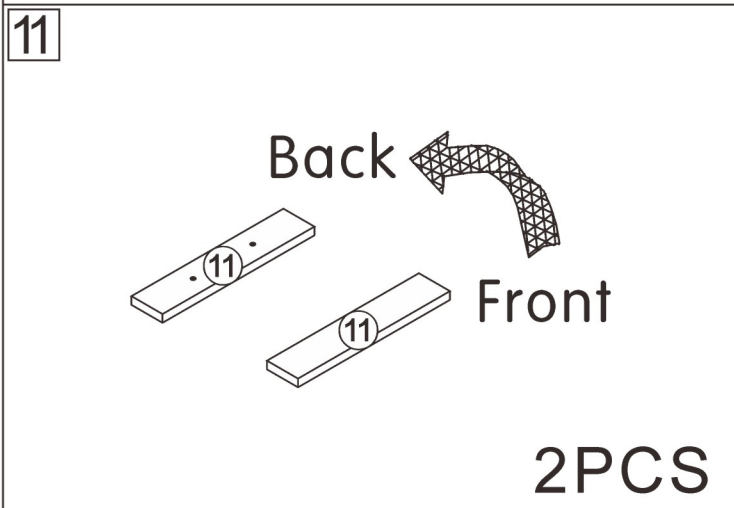
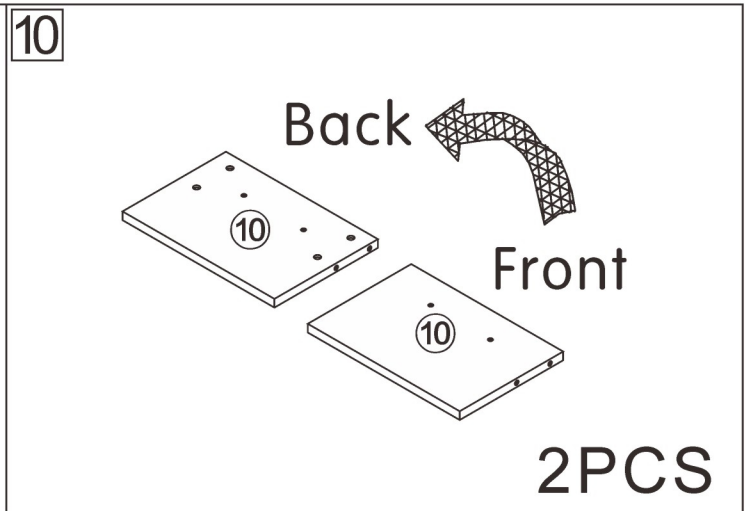
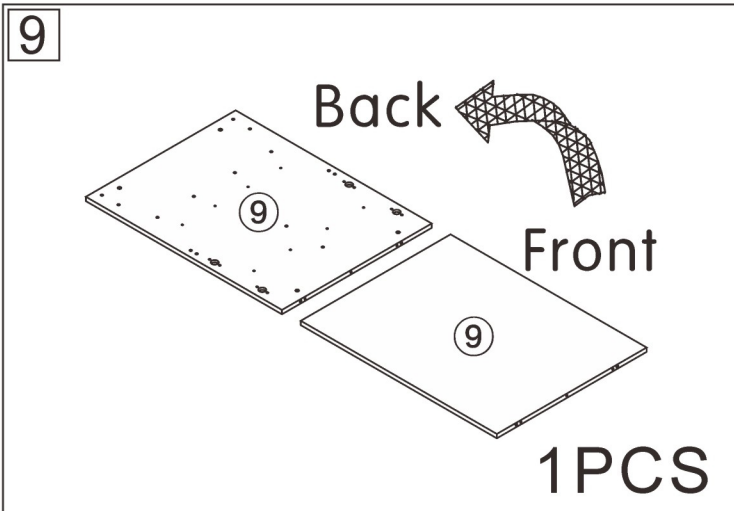


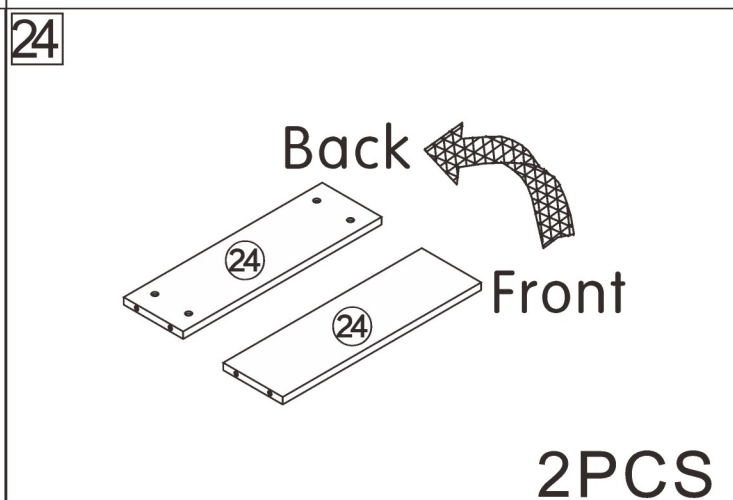
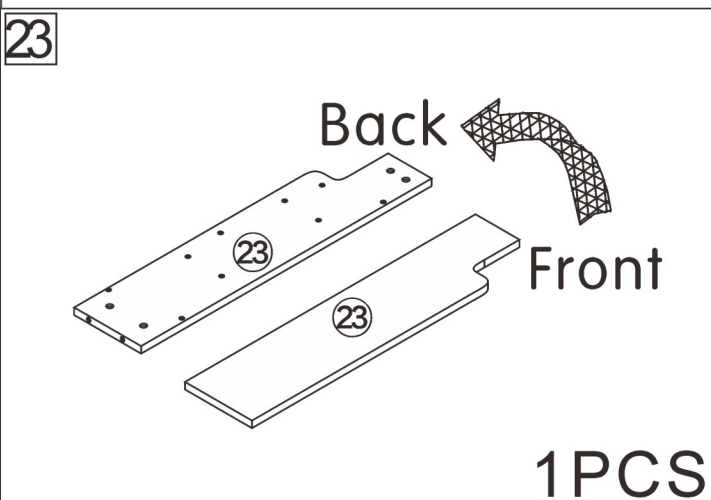
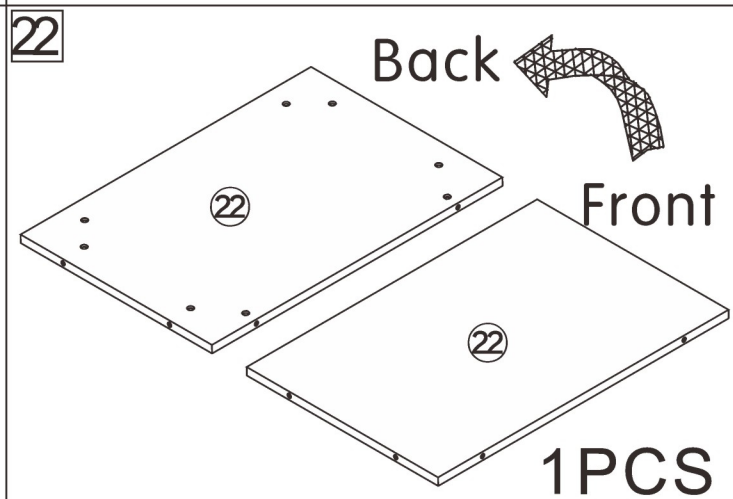
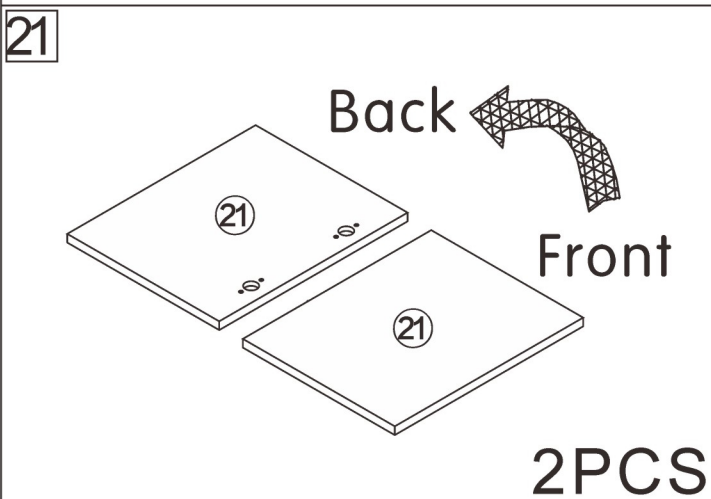
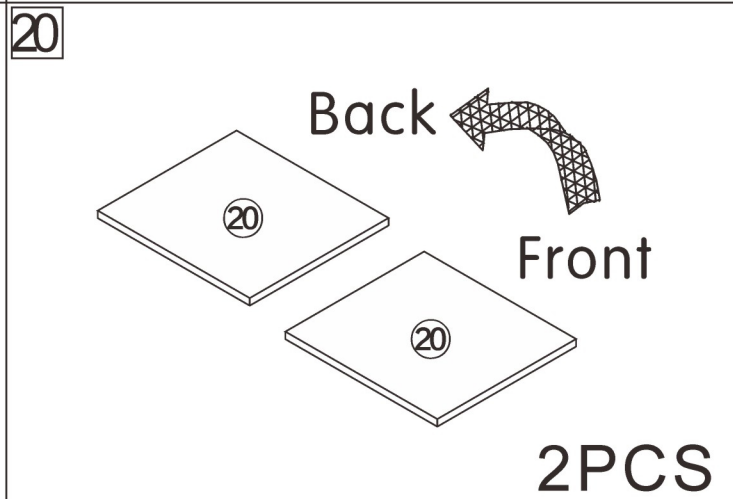
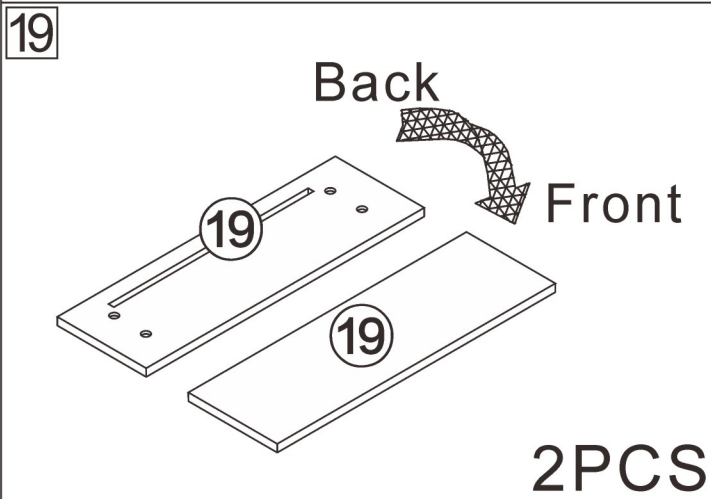
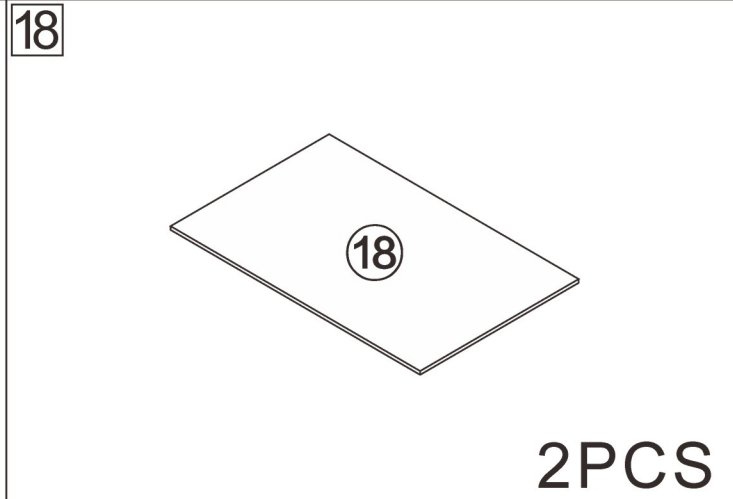
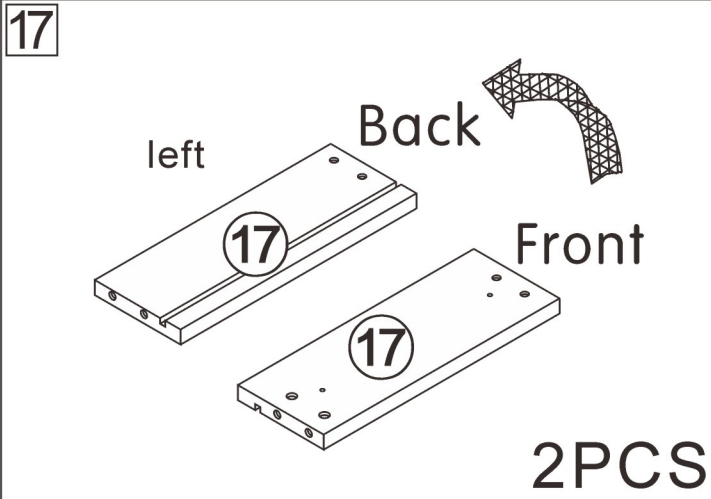
Disassembly and installation of accessories



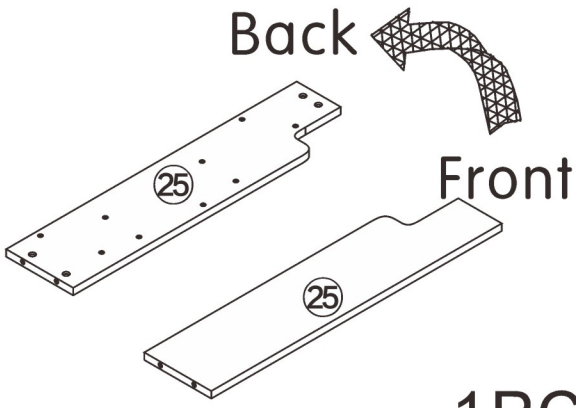
A 94PCS  15*10mm	B 94PCS  6*28mm	C 15PCS  8*30mm	D 48PCS  3.5*14mm	E 8PCS  3.5*40mm	F 6PCS  6*38mm	G 2PCS  6*25mm	H 8PCS  Φ5*8mm
I 4PCS 	J 4PCS 	K 4PCS 	L 8PCS  φ 15mm	M 3PCS 	N 16PCS  4*12mm	O 4PCS  6*40mm	 Tools Recommended





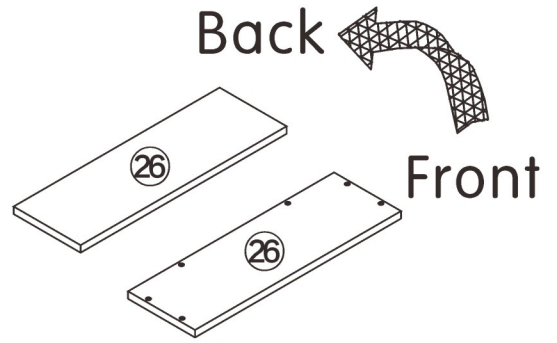


25



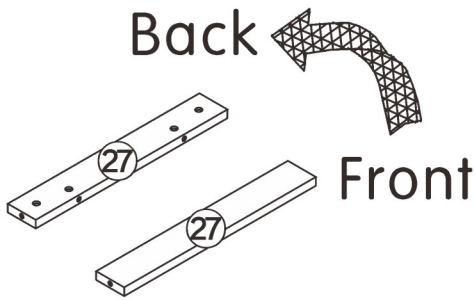
1PCS

26



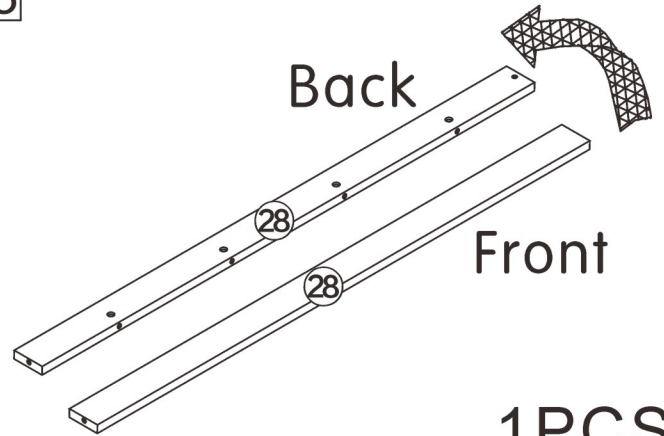
1PCS

27



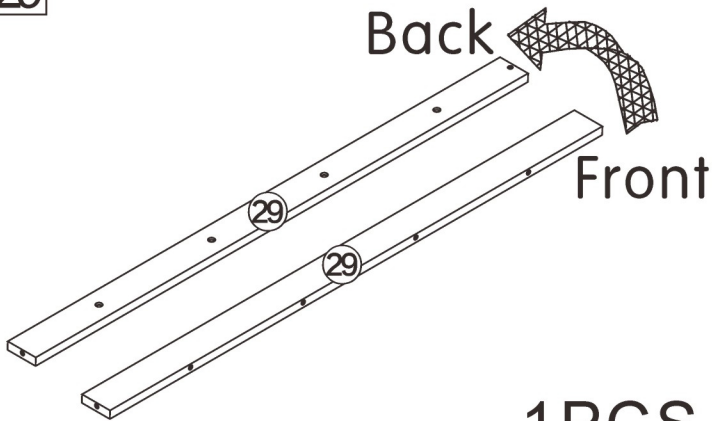
1PCS

28



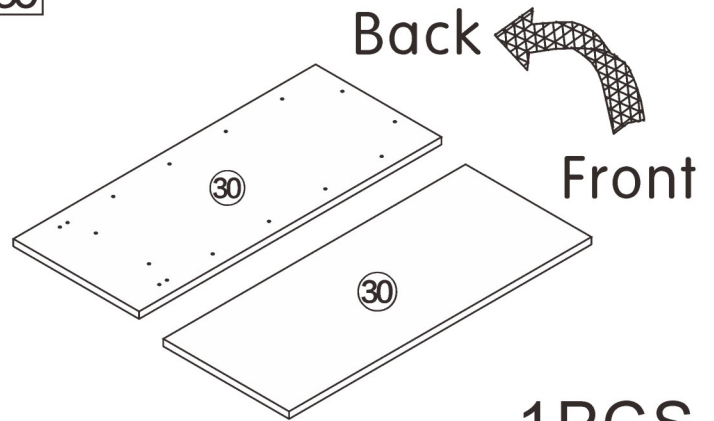
1PCS

29



1PCS

30



1PCS

31

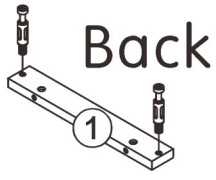
1PCS

32

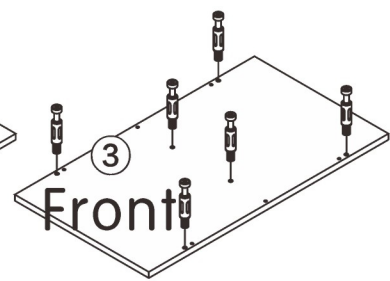
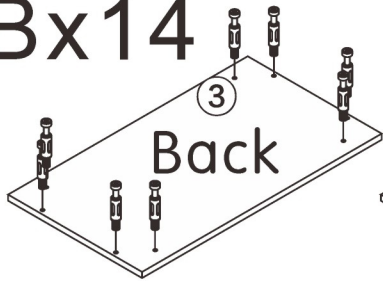
2PCS

1

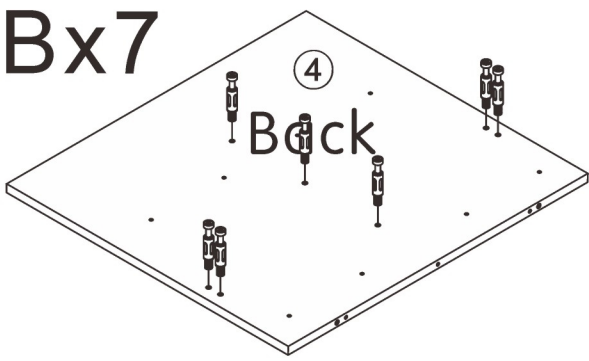
Bx2x2



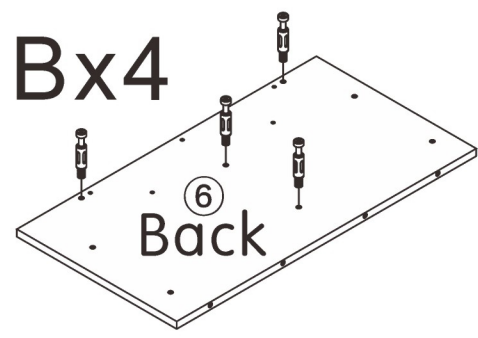
Bx14



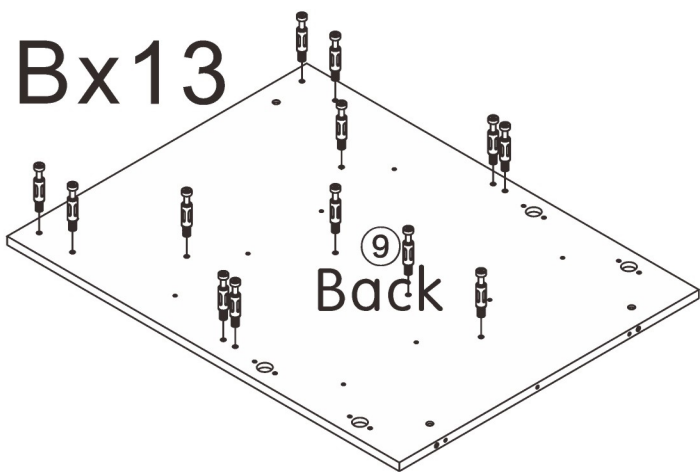
Bx7



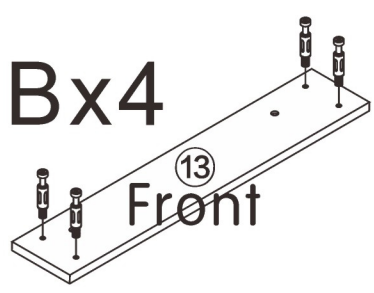
Bx4



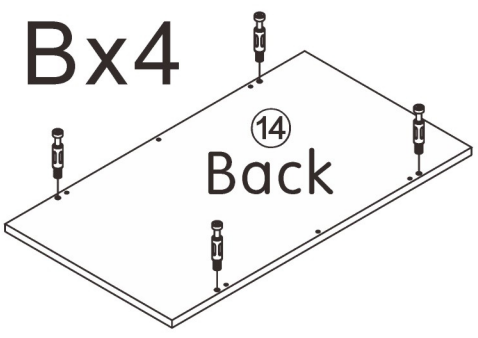
Bx13



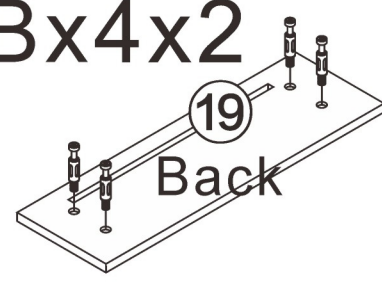
Bx4




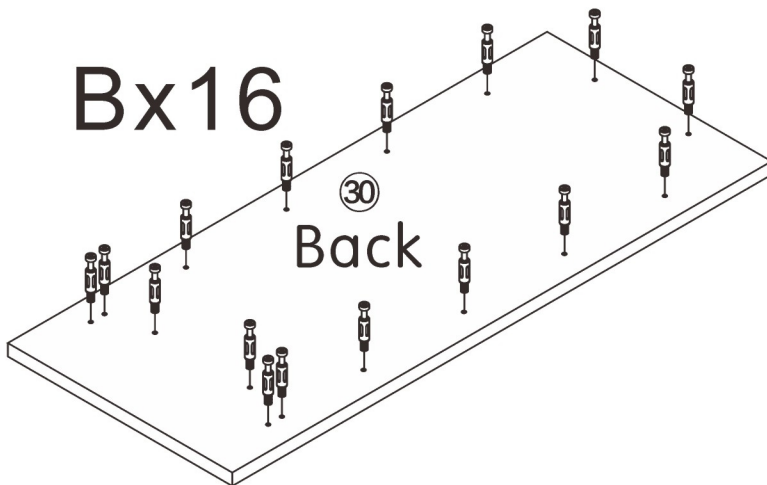
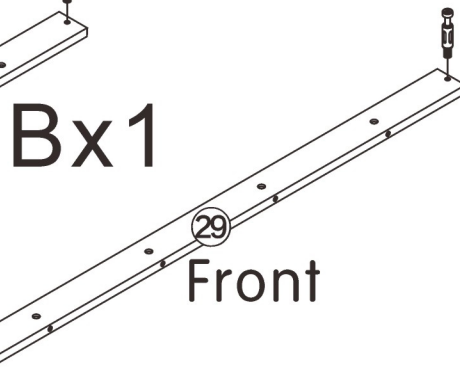
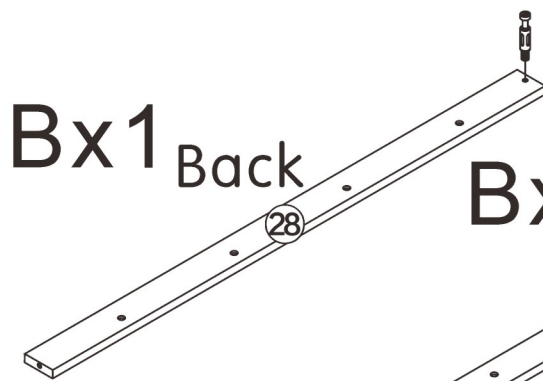
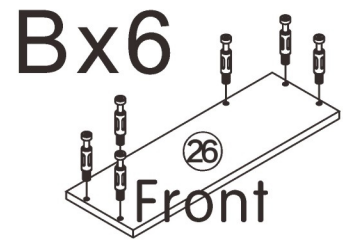
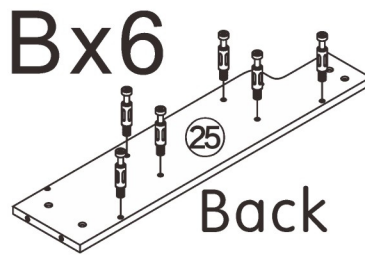
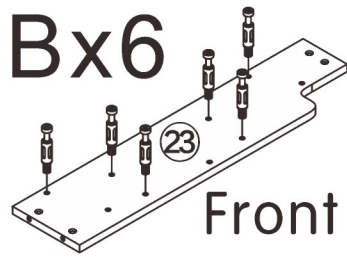
Bx4



Bx4x2



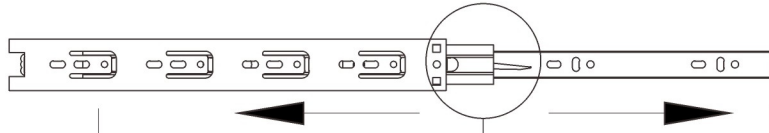
B	58PCS
	
6*28mm	



B	36PCS
6*28mm	

3

Ex4




E₁

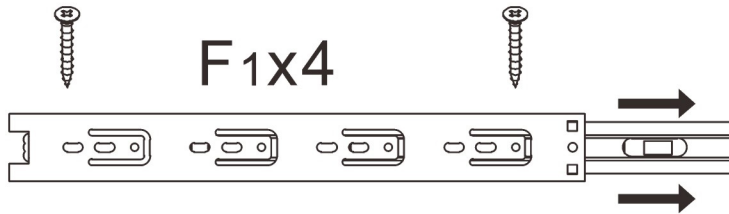


E₂



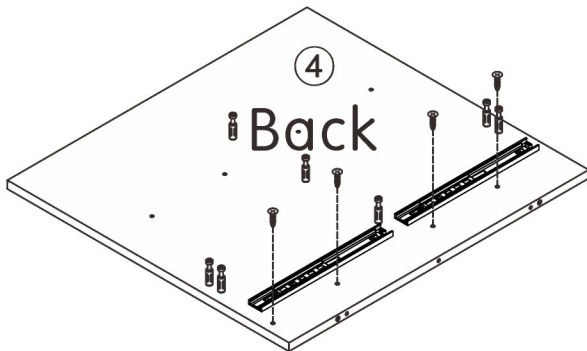
E	4PCS
	
Three-section Rail	

4



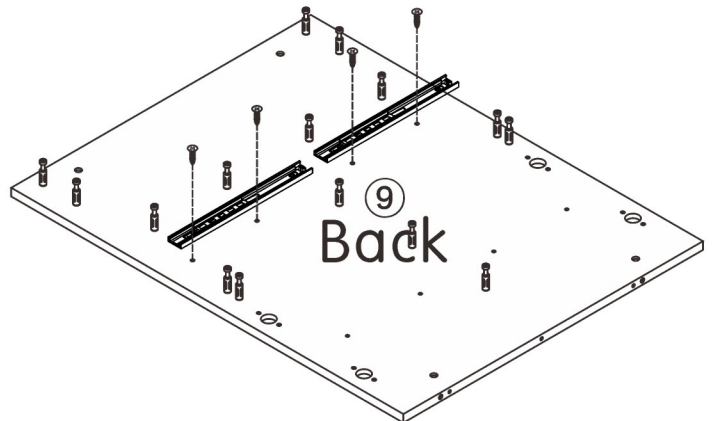
F₁x4

E₁x4
CX2x4




4


Back



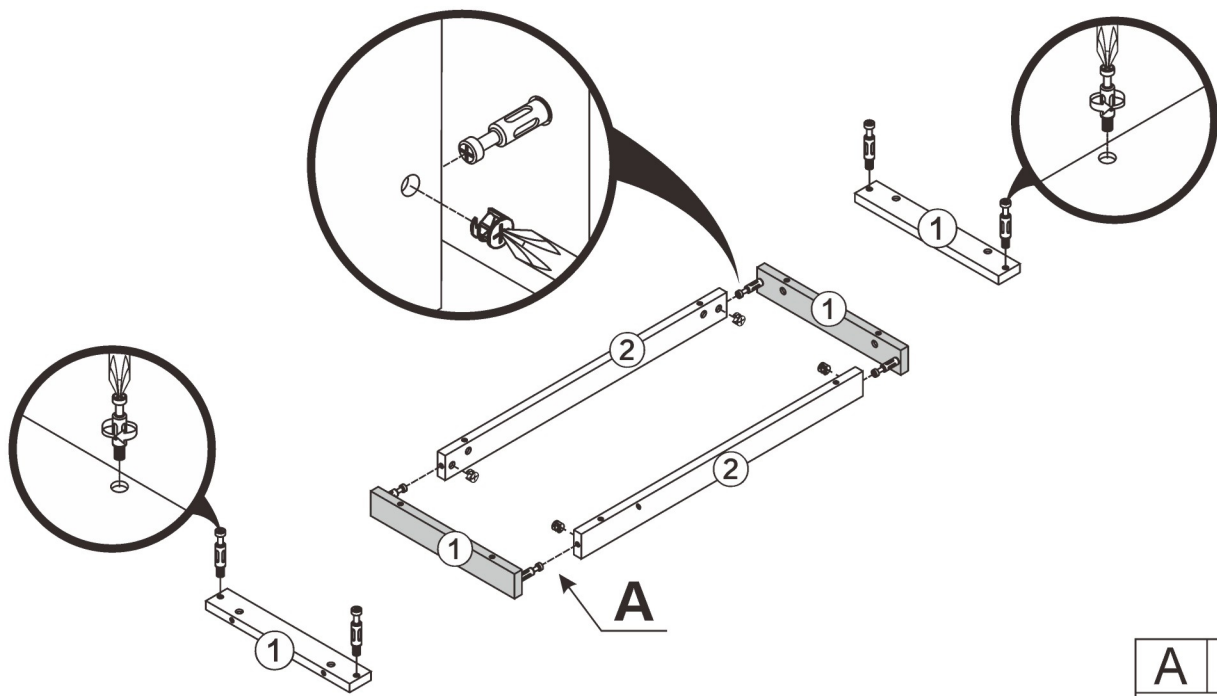
9


Back

C	8PCS
	
3.5*14mm	

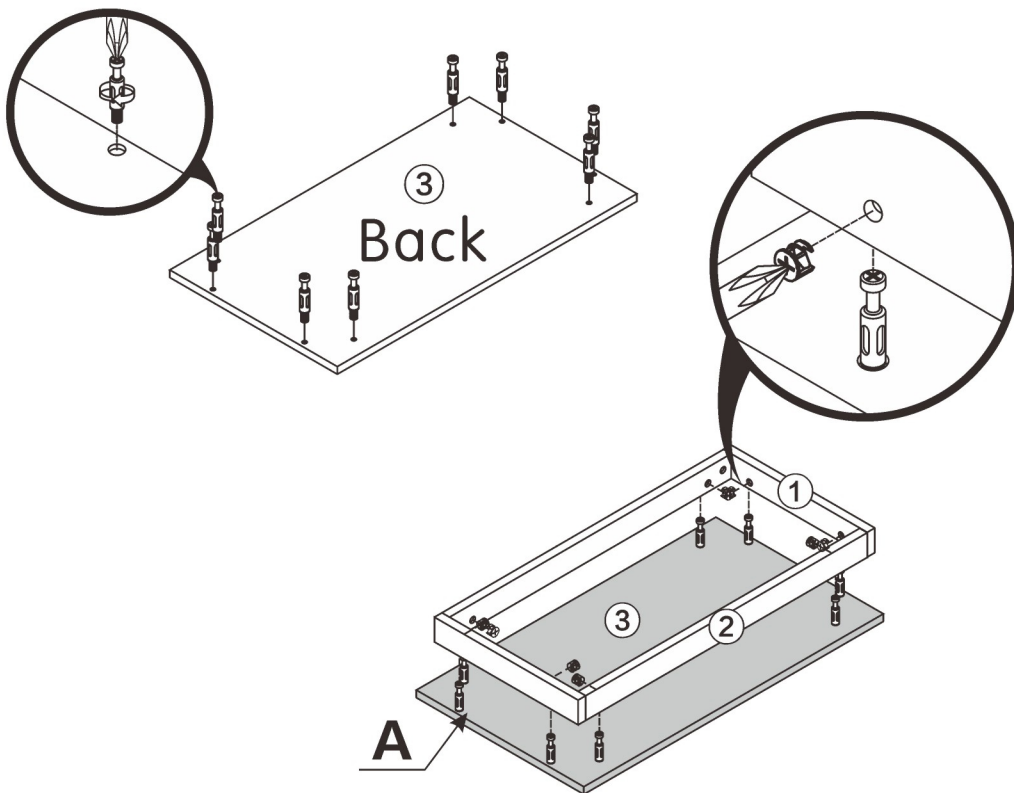
E ₁	4PCS
	
Three-section Rail	


5



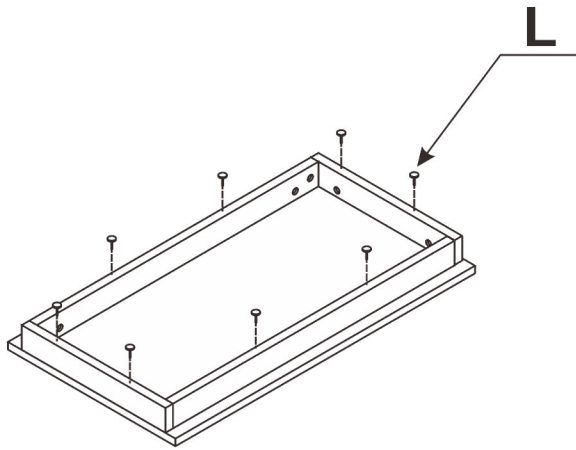
A	4PCS
	
15*10mm	

6



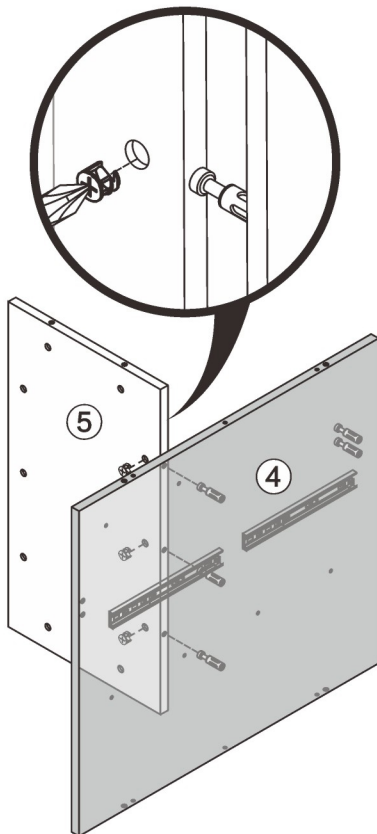
A	8PCS
	
15*10mm	

7



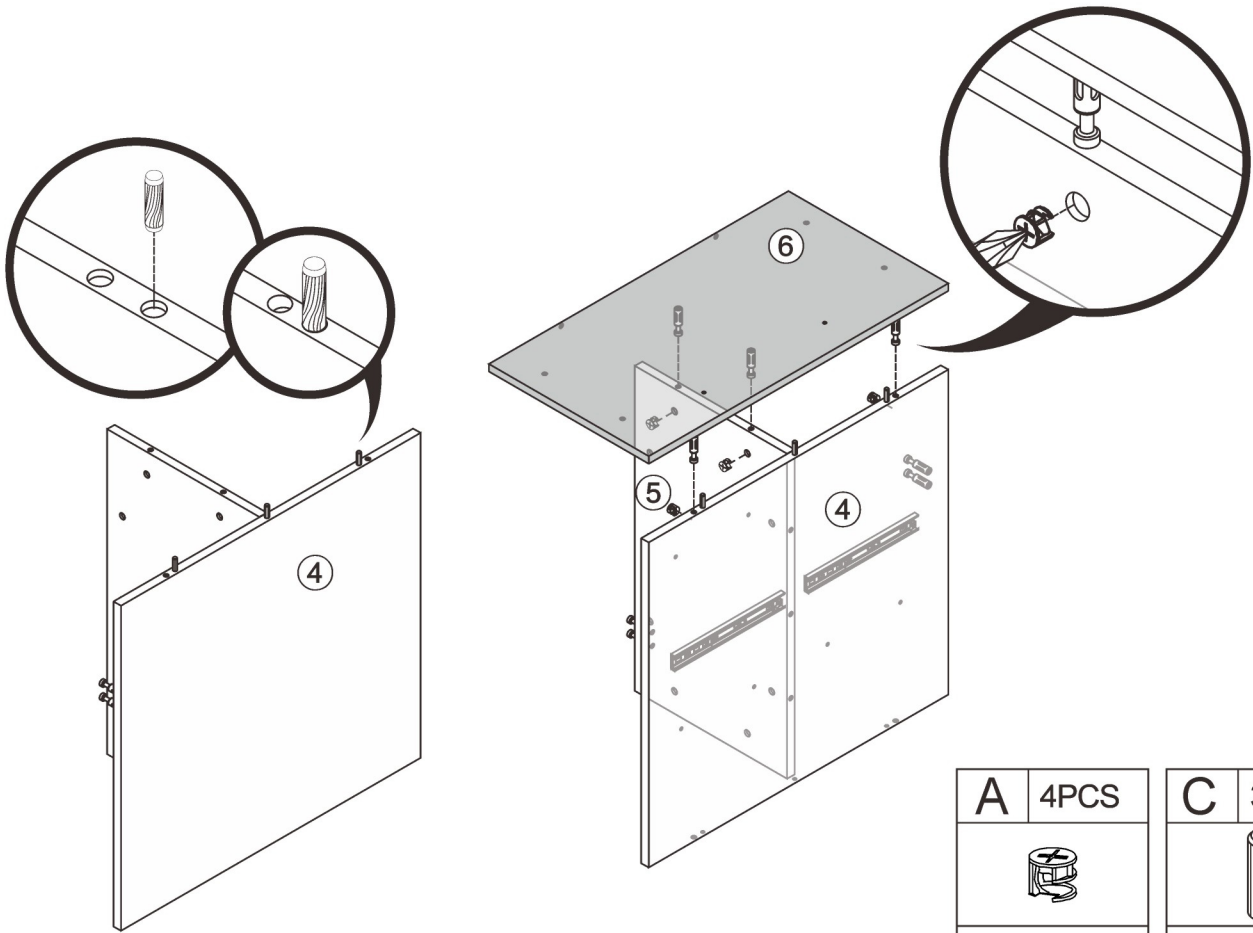
L	8PCS

8

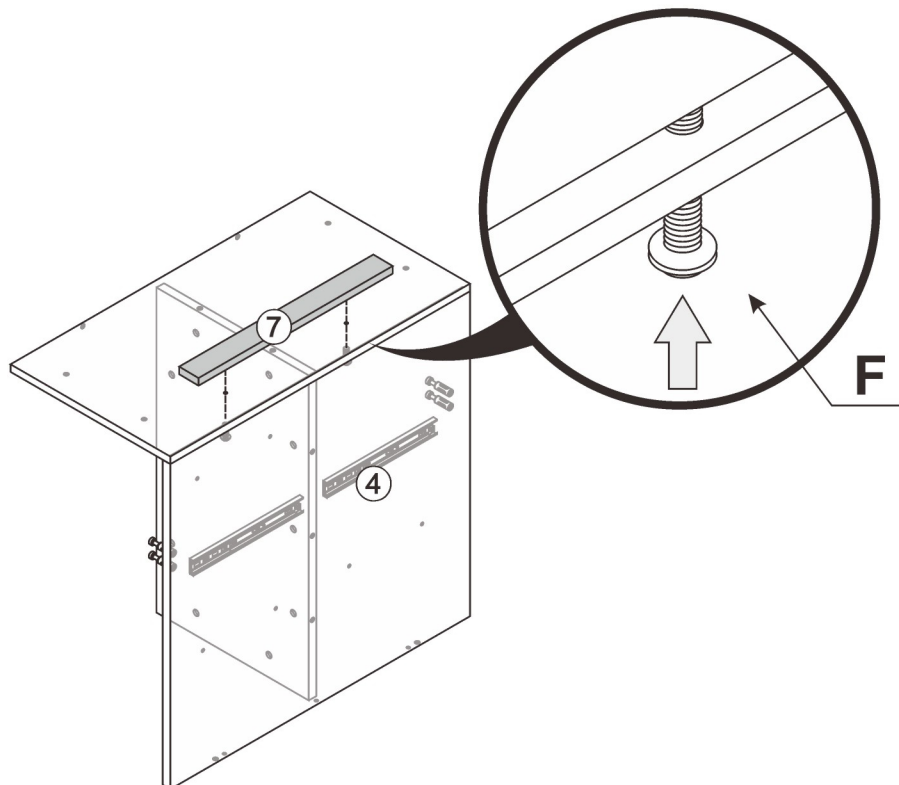


A	3PCS
15*10mm	

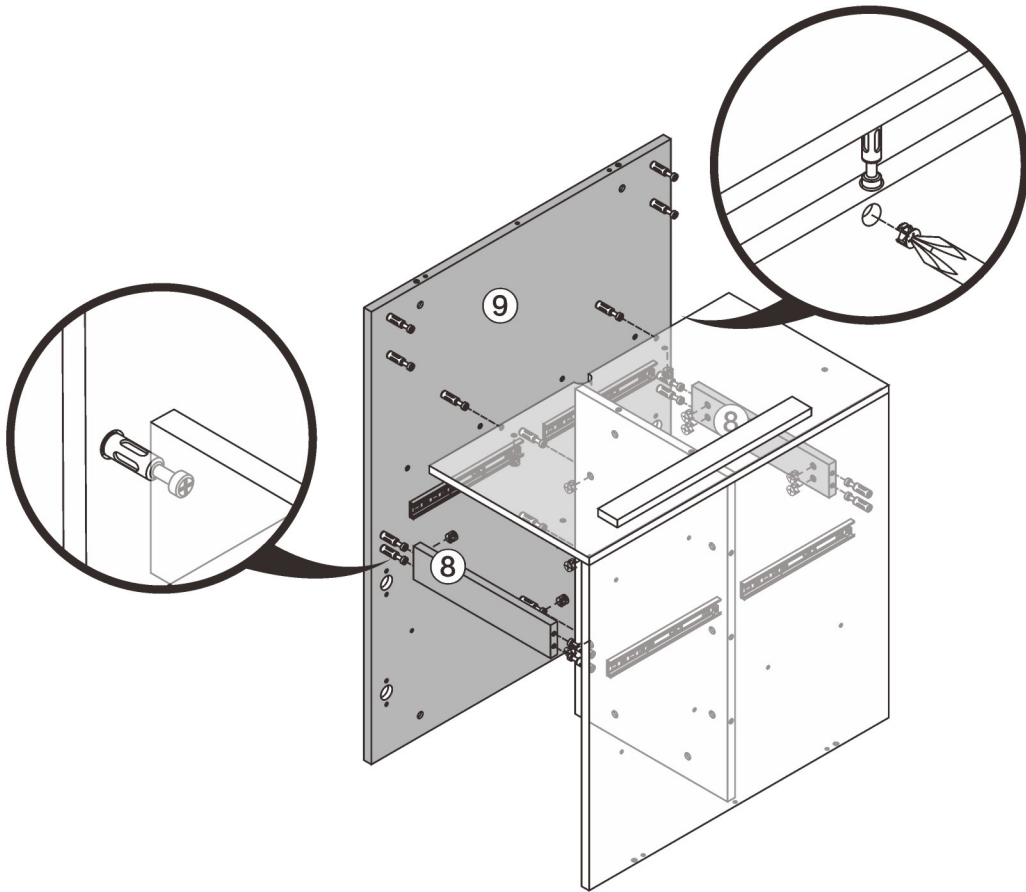
9




10

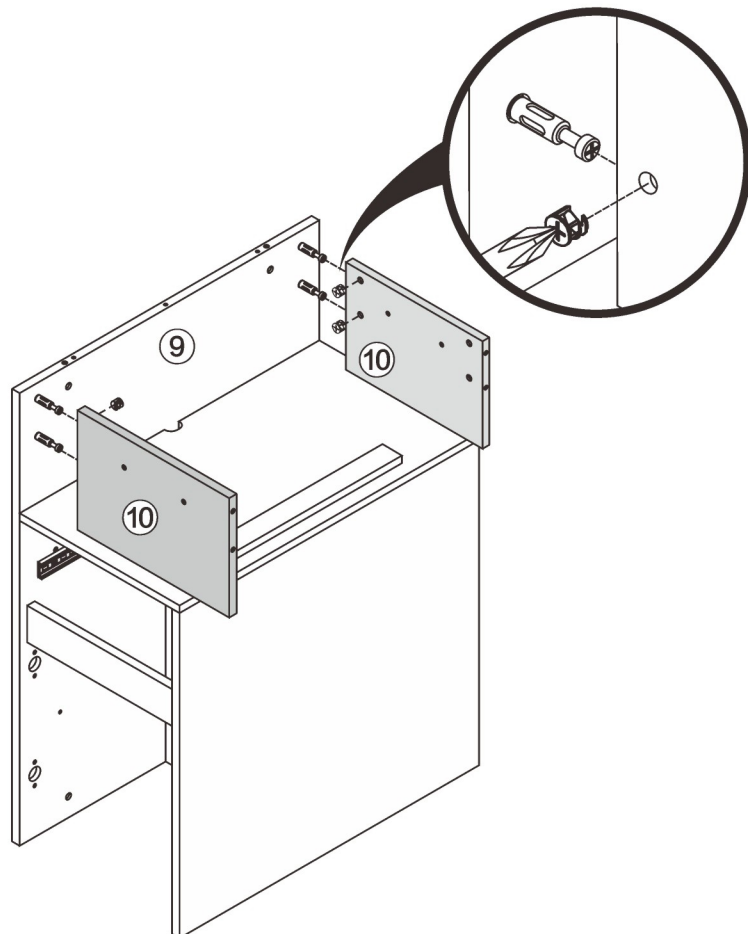



11



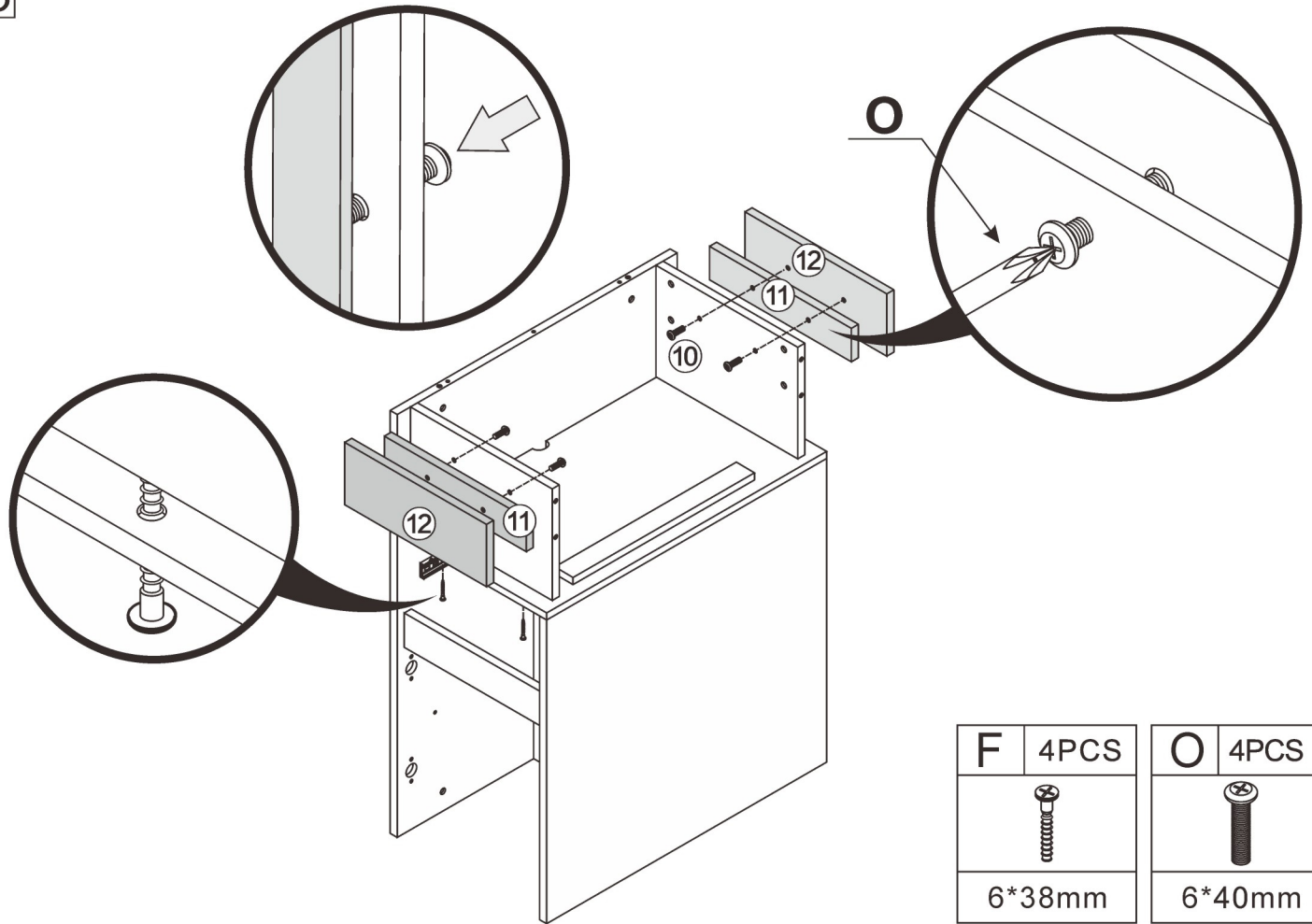
A	13PCS
	
15*10mm	

12

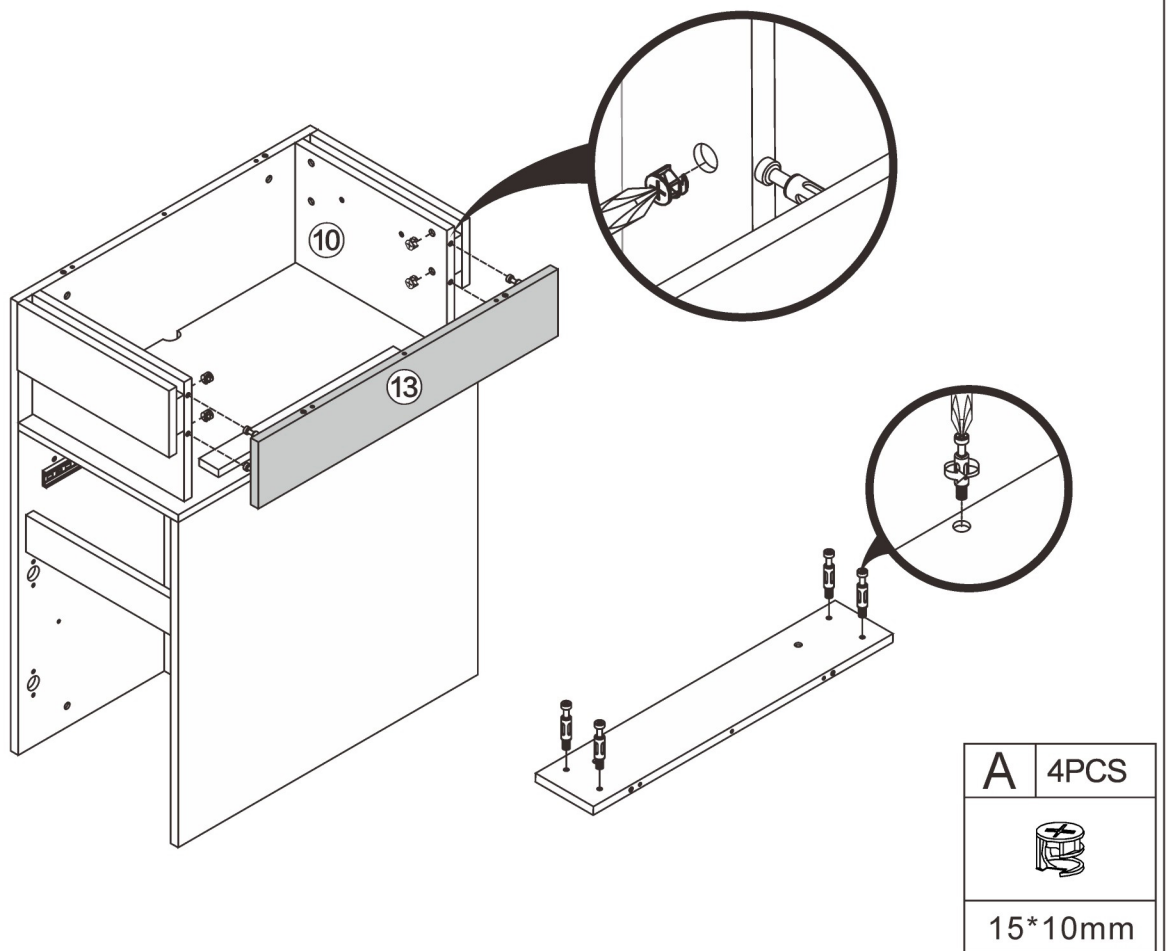


A	4PCS
	
15*10mm	

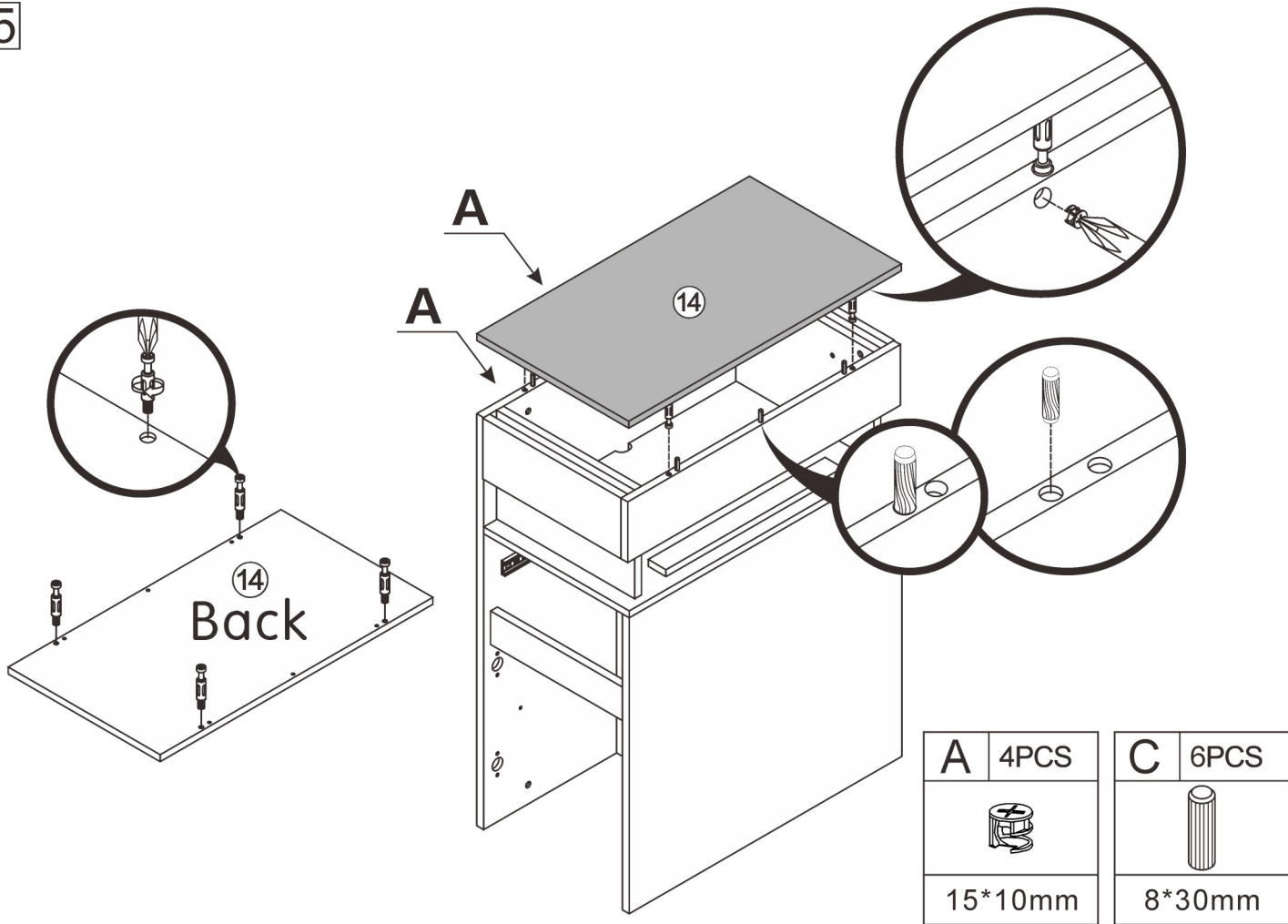
13



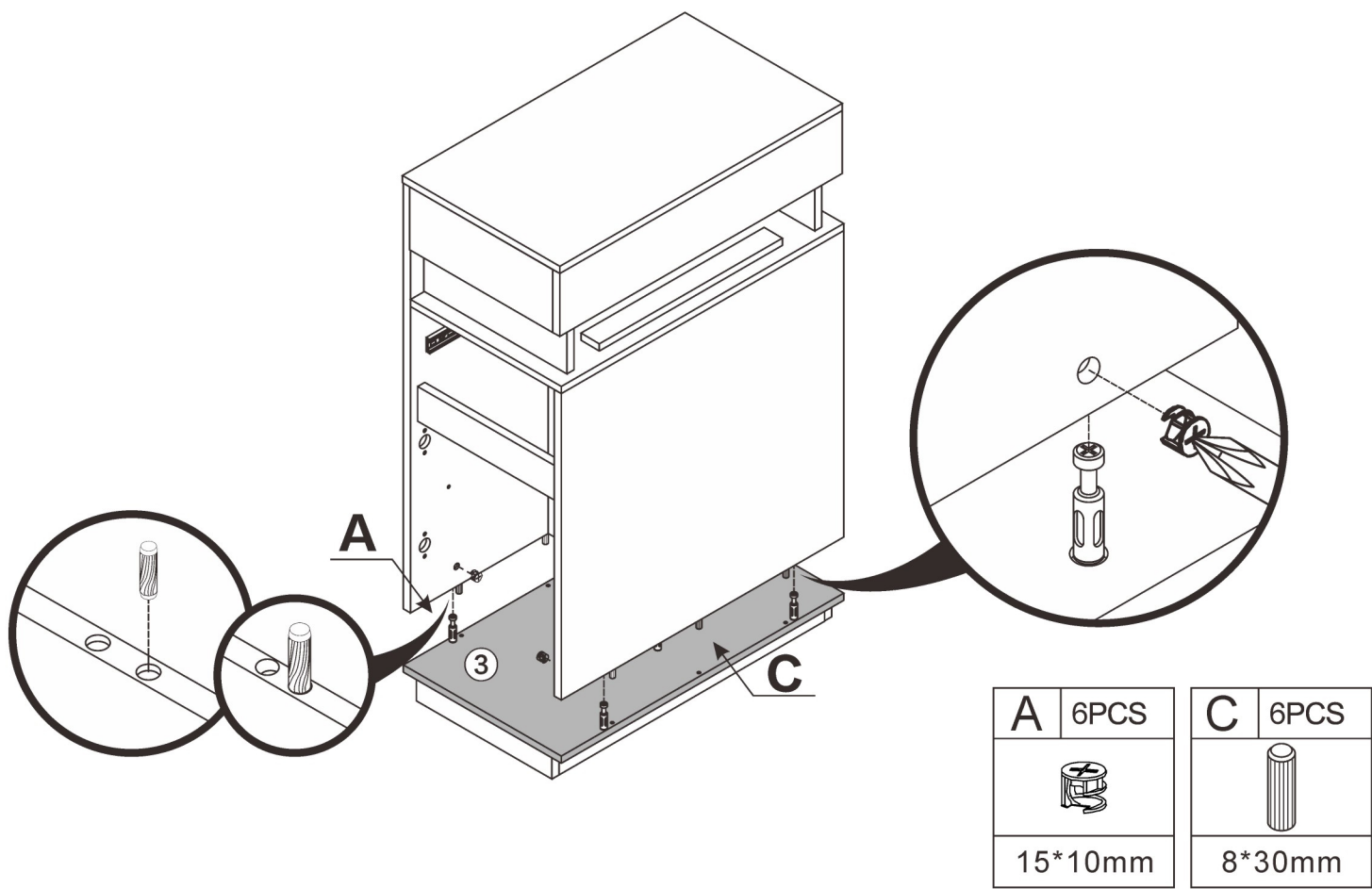
14



15

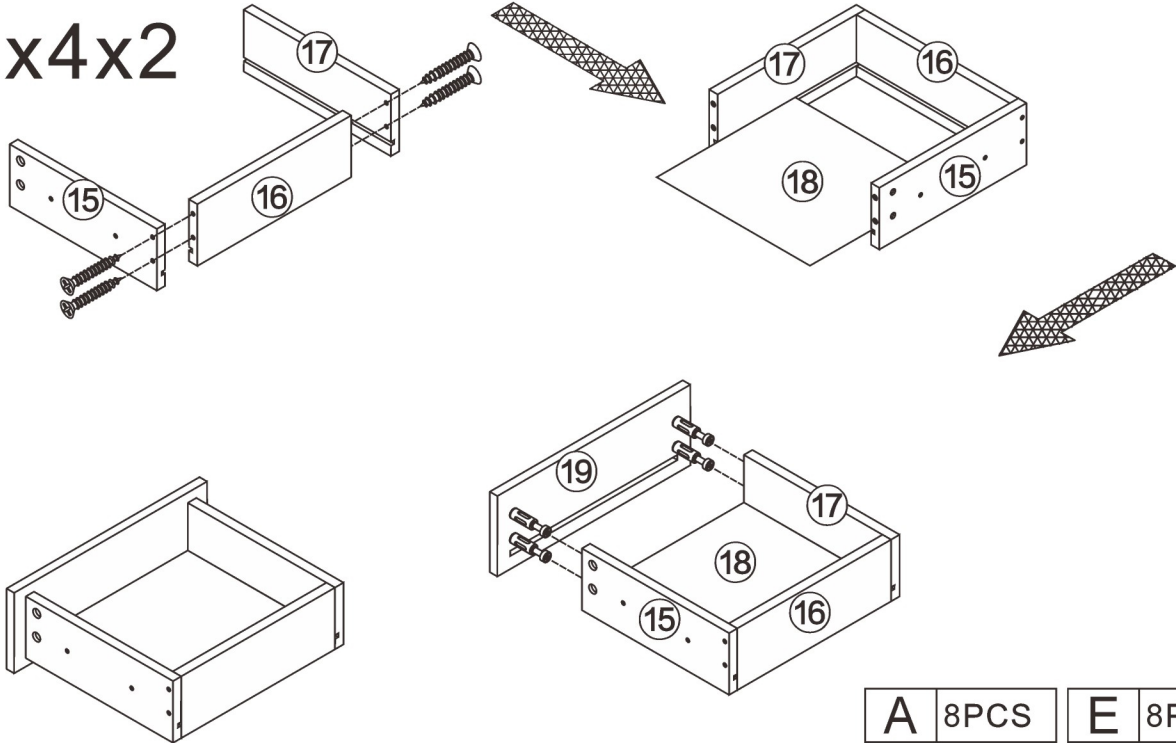




16



17

Ex4x2

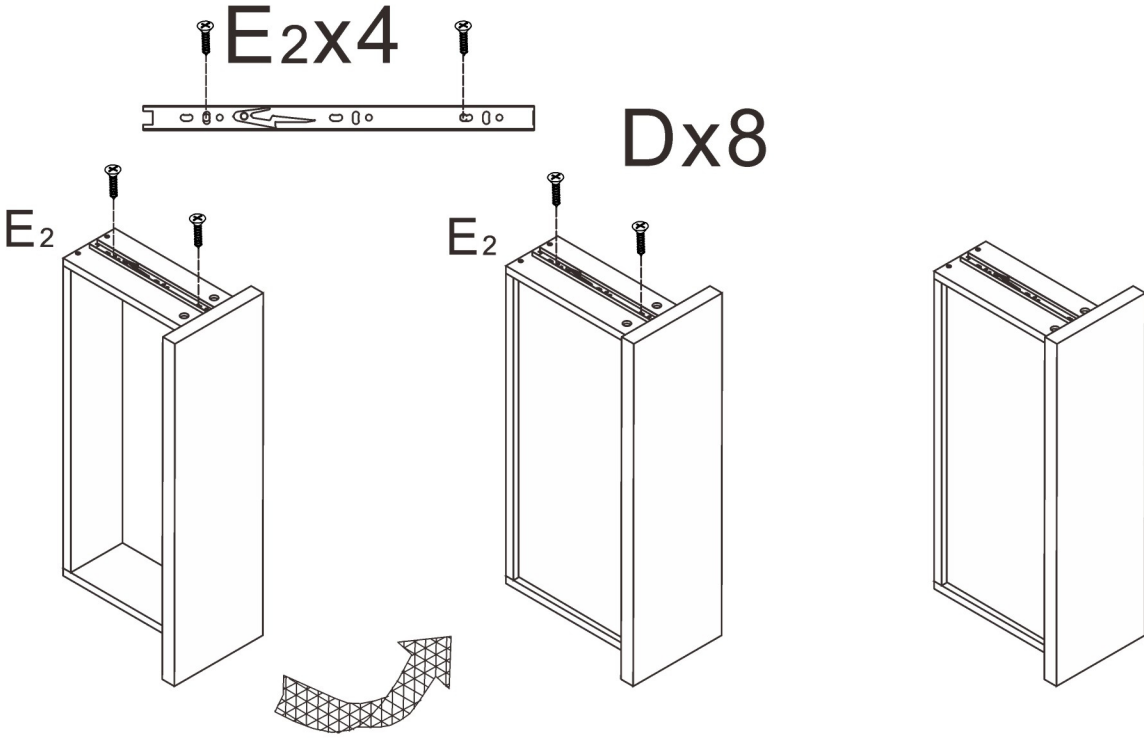




A	8PCS	E	8PCS
			
15*10mm		3.5*40mm	

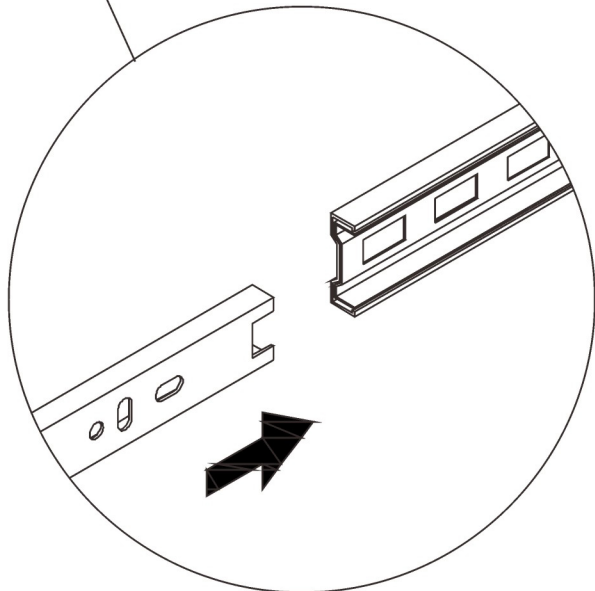
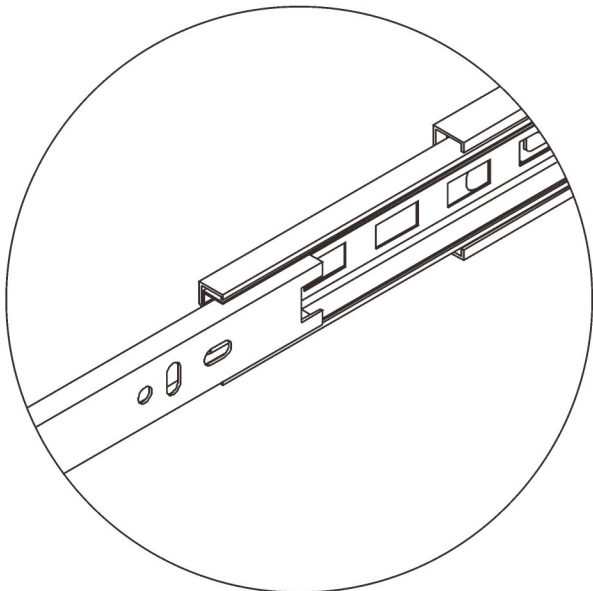
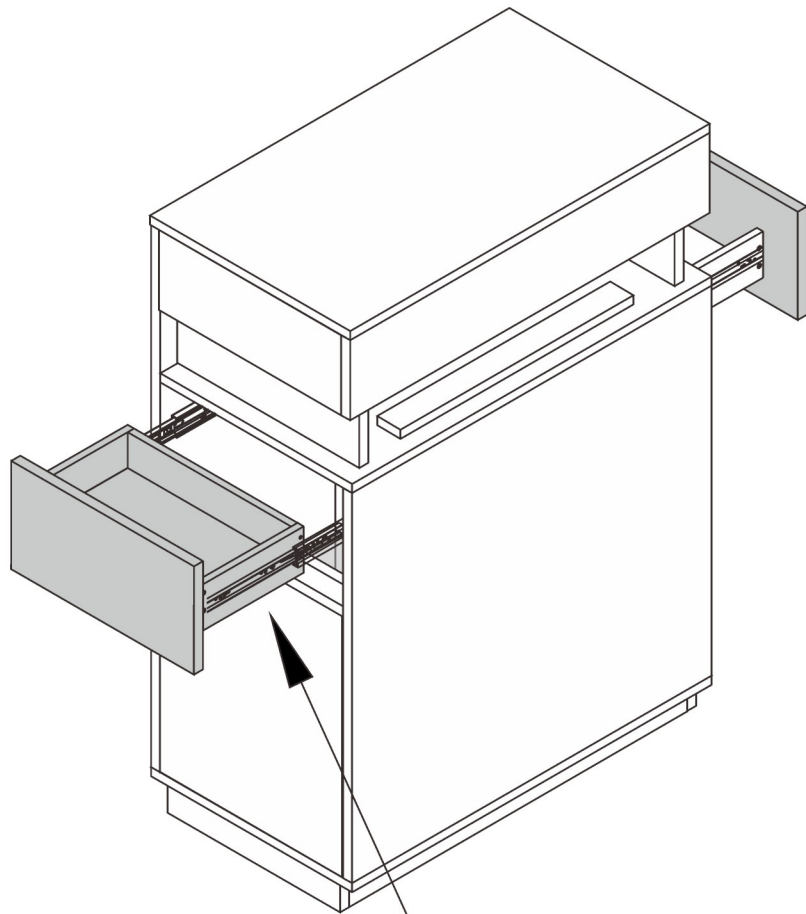
18

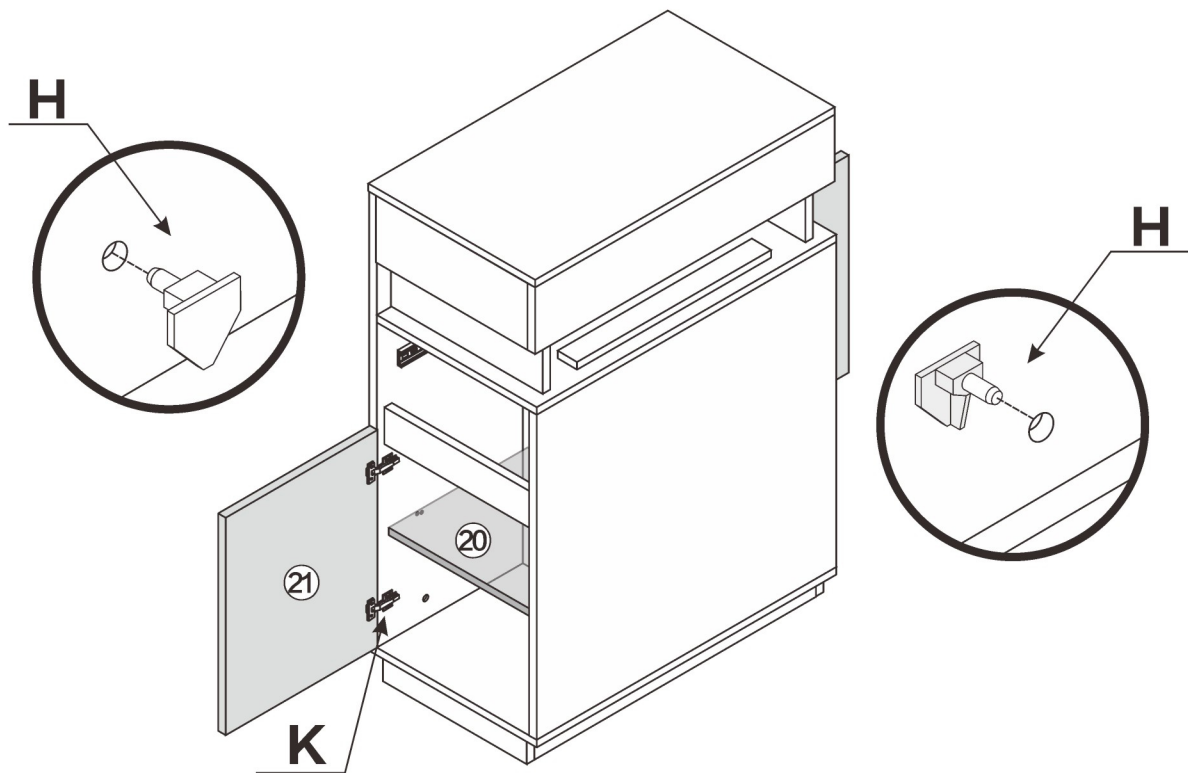
E₂x4





Dx8

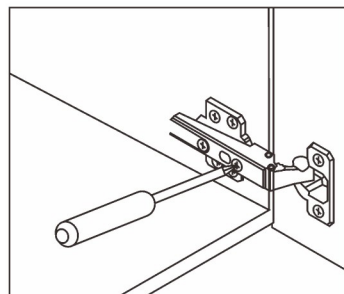
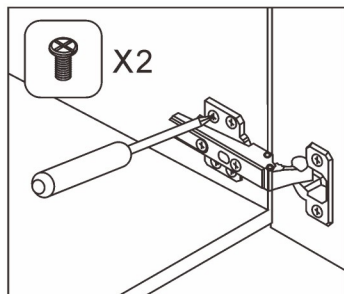
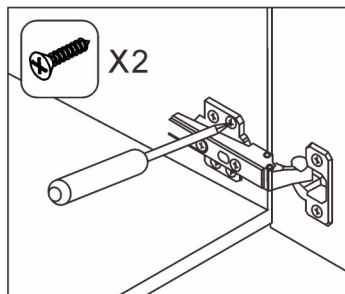
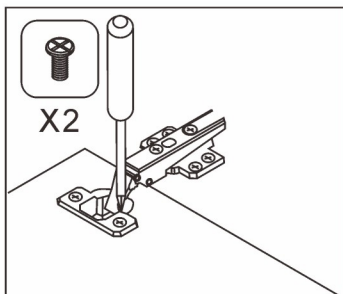


D	8PCS	E ₂	4PCS
			
3.5*14mm		Three-section Rail	

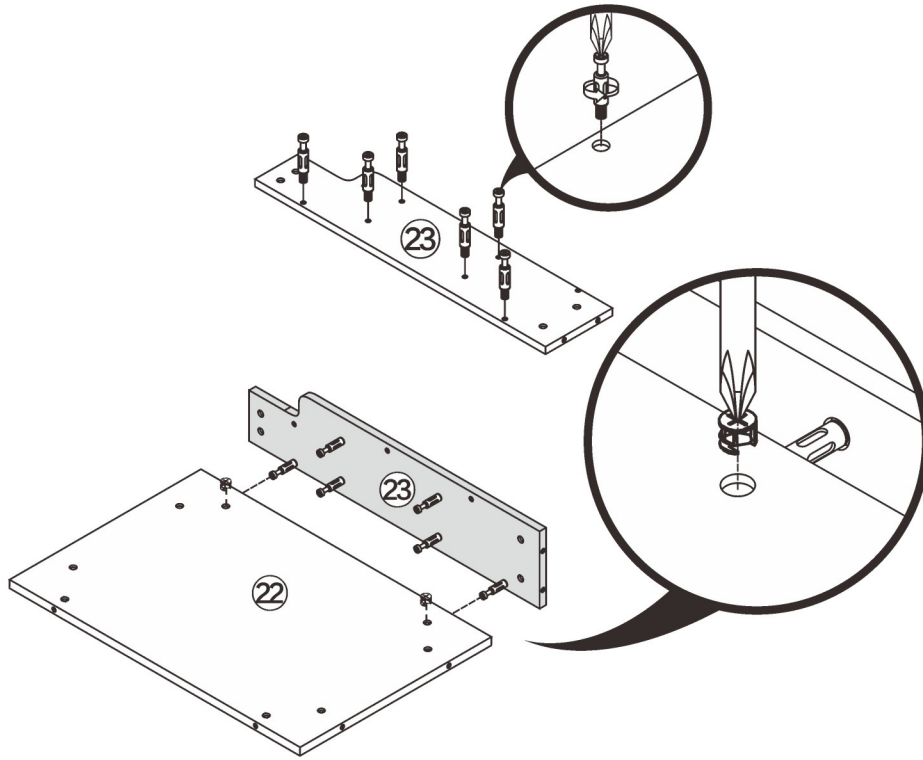





D	8PCS	K	4PCS	H	8PCS	N	16PCS
							
3.5*14mm				Φ5*8mm		4*12mm	

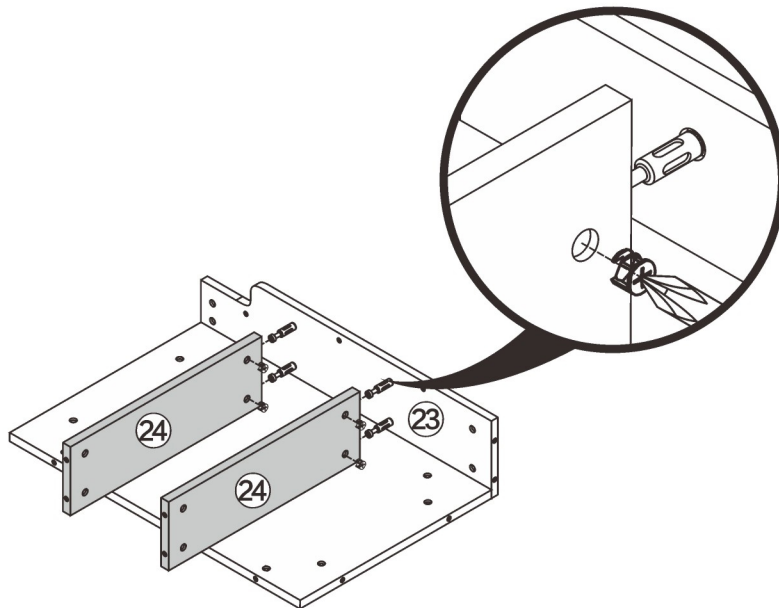



21



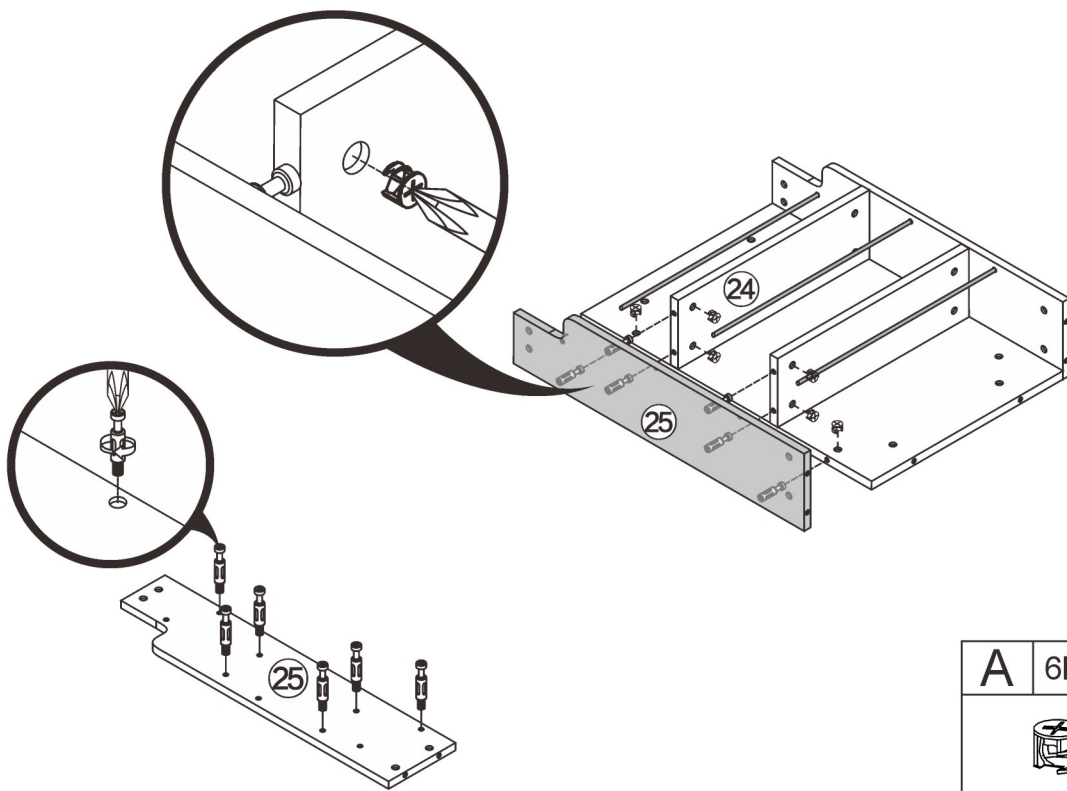
A	2PCS
	
15*10mm	


22




A	4PCS
	
15*10mm	

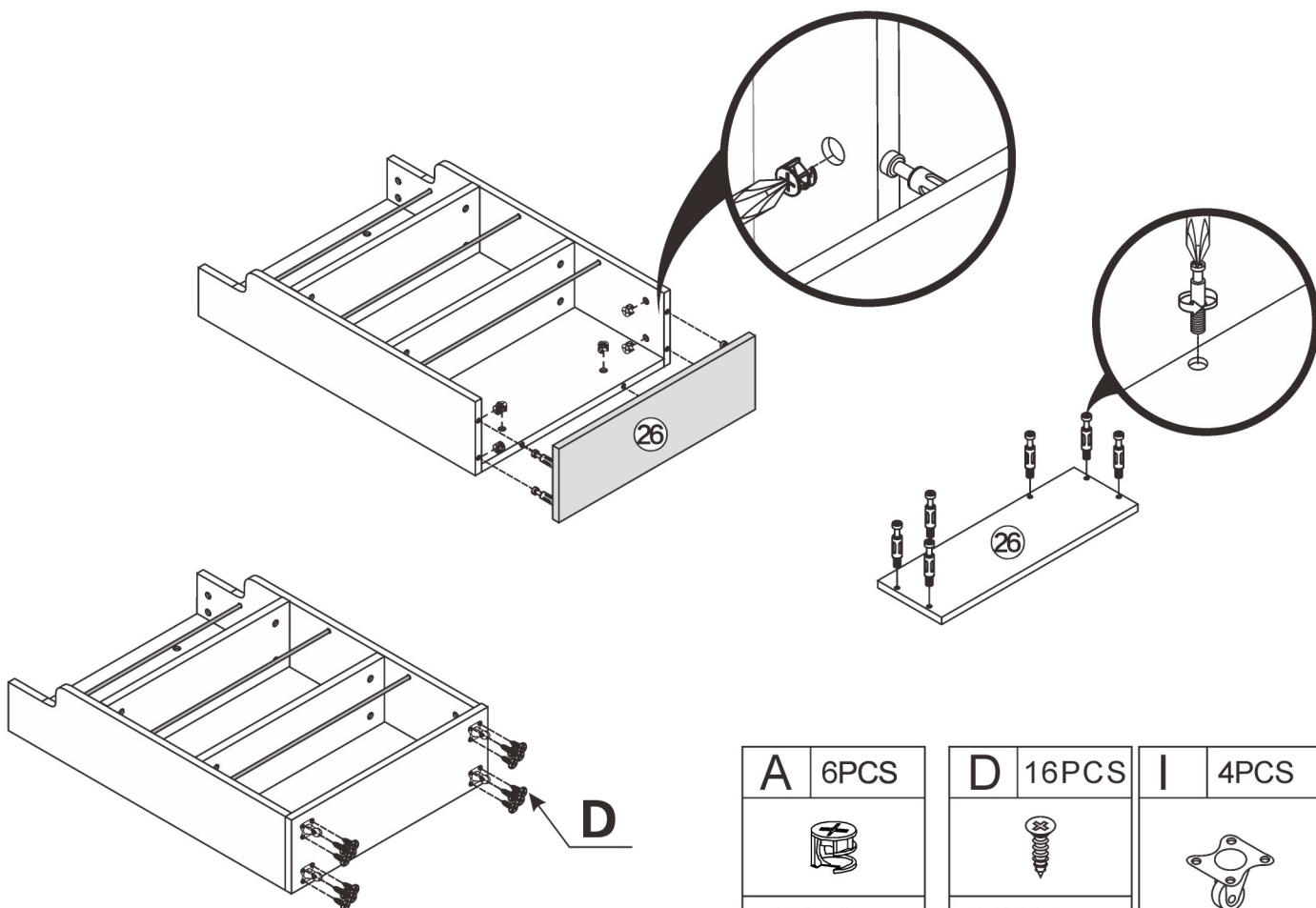
23





A	6PCS
	
15*10mm	


N	3PCS
	

25

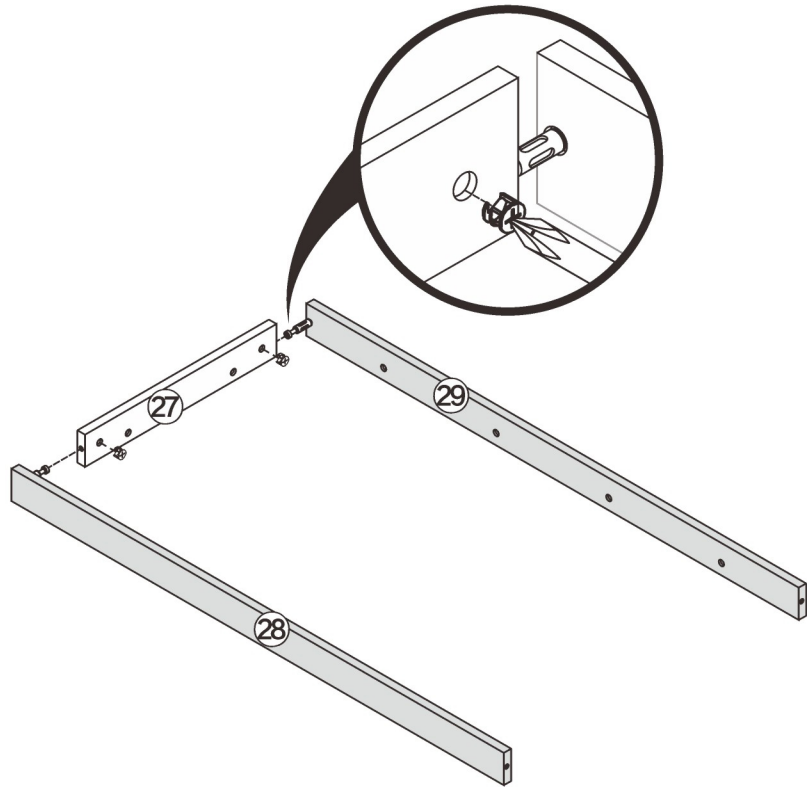



A	6PCS
	
15*10mm	

D	16PCS
	
3.5*14mm	

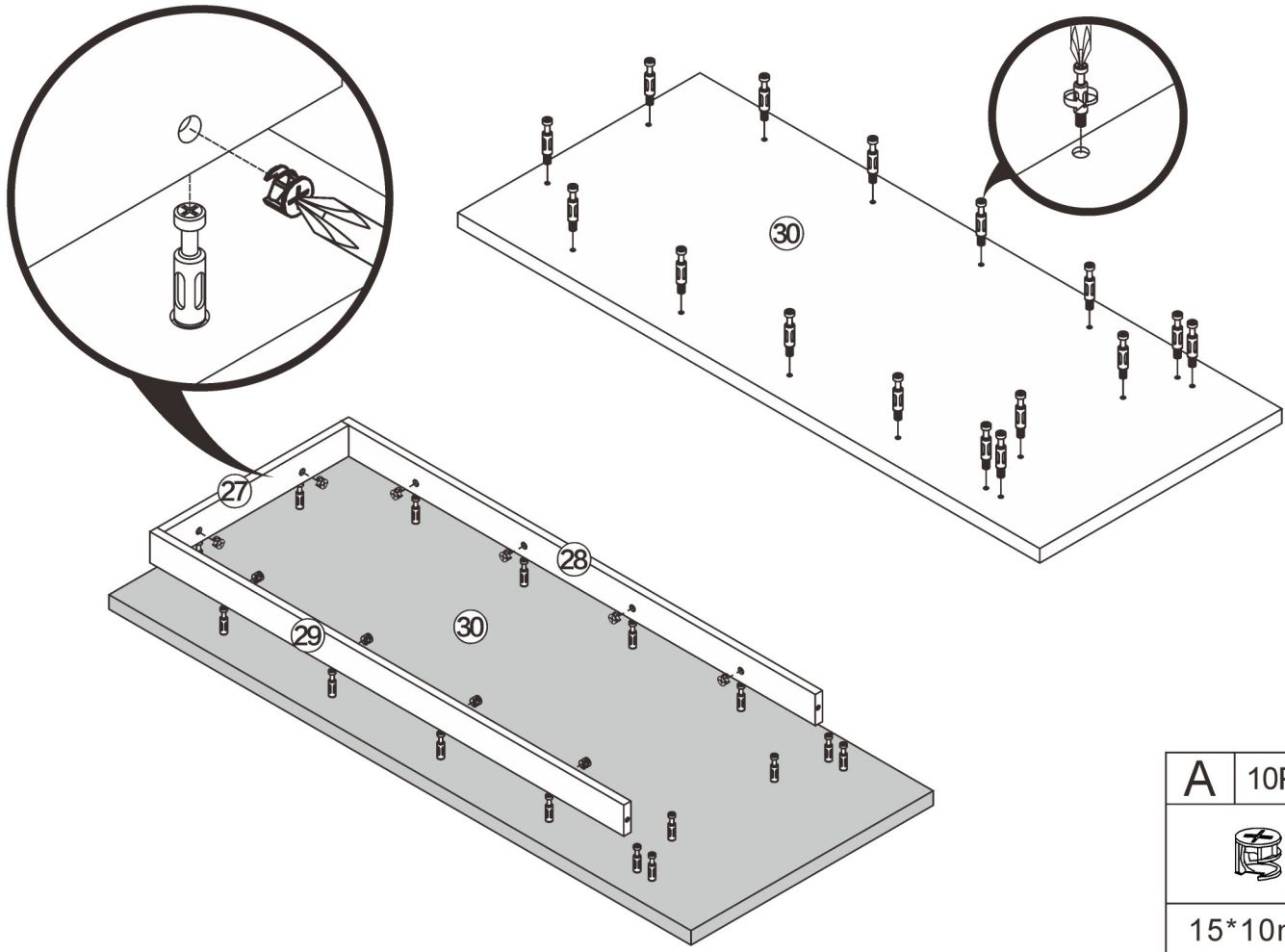
I	4PCS
	


26

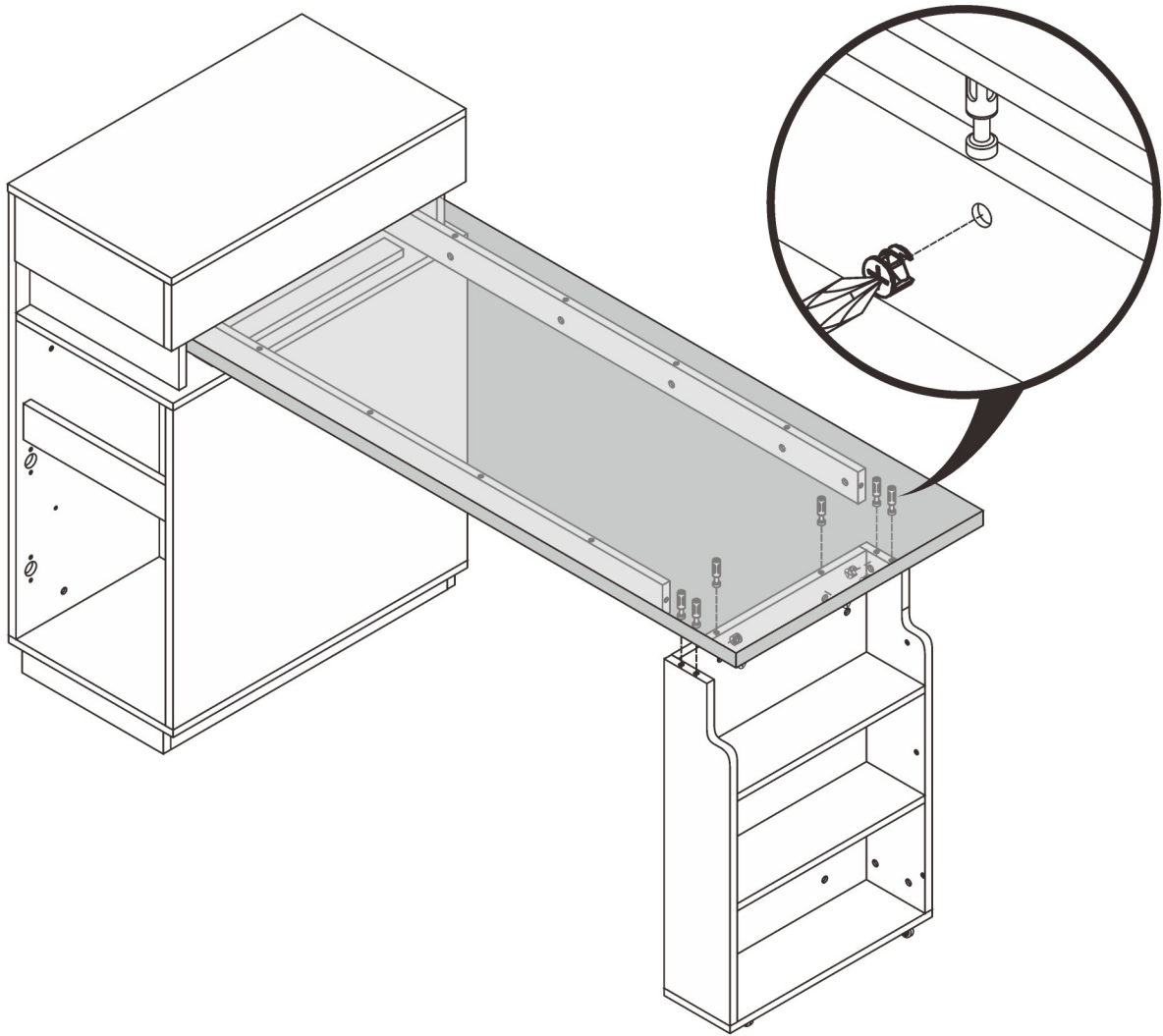



A	2PCS
	
15*10mm	

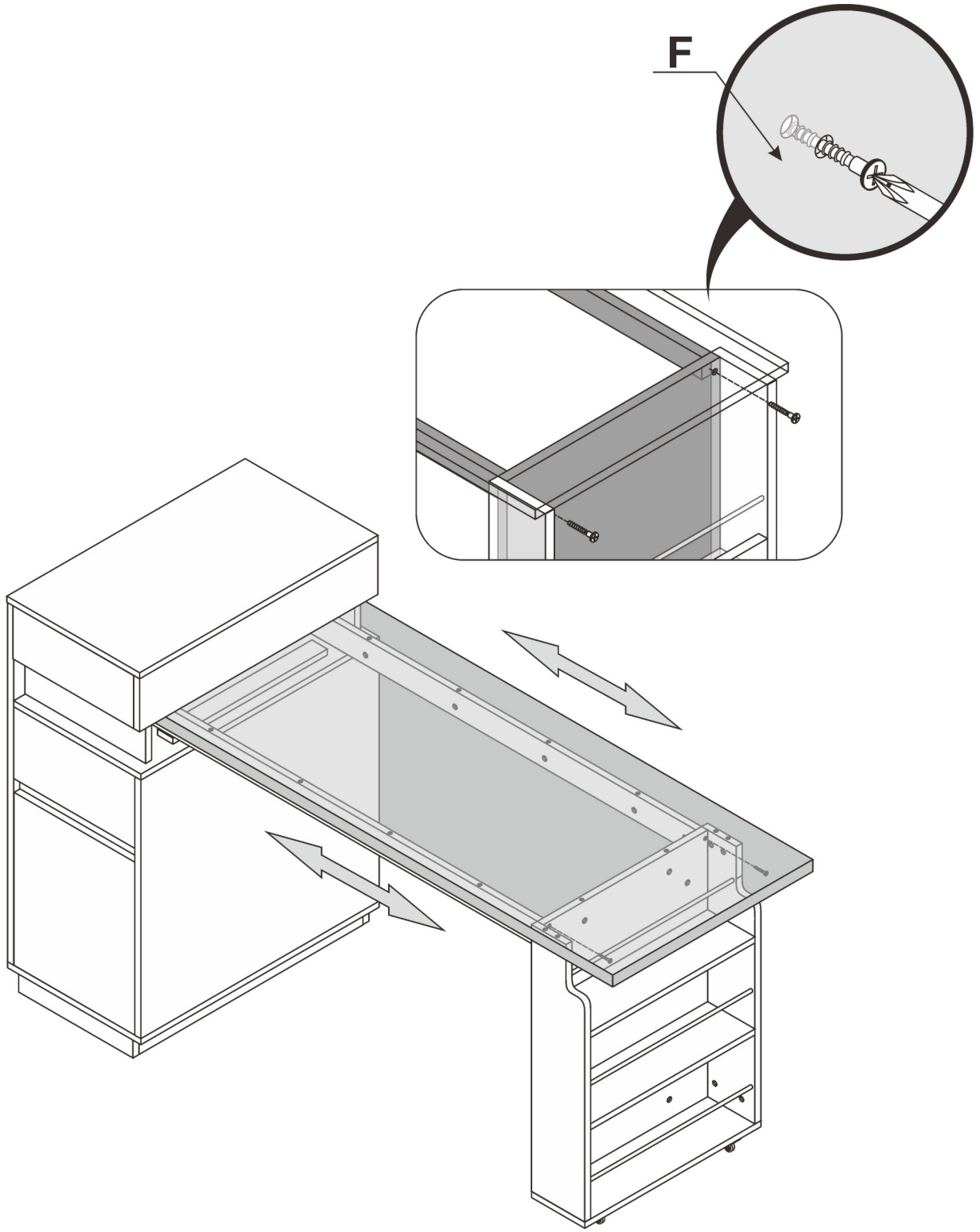
27



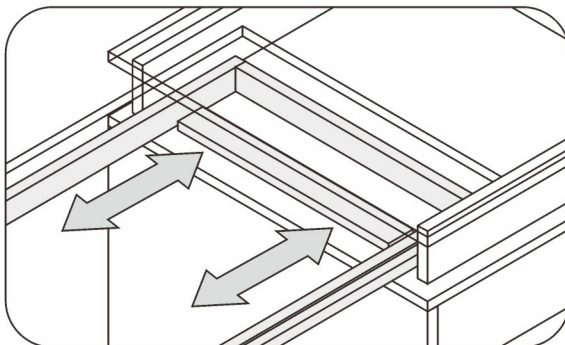
A	10PCS
	
15*10mm	




A	6PCS
	
15*10mm	



OK!



F	2PCS
	
6*38mm	