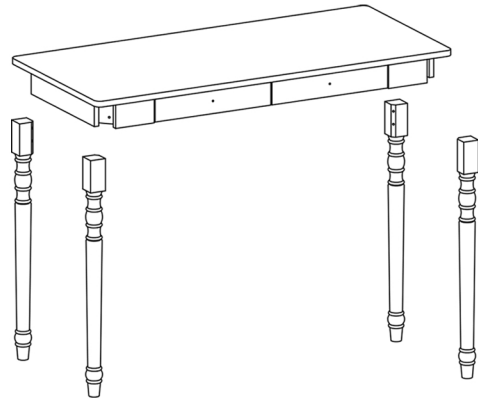


# ASSEMBLY INSTRUCTION



Hardware  
Parts



A×4



B×8



C×8



D×4



E×2



F×2



G×2

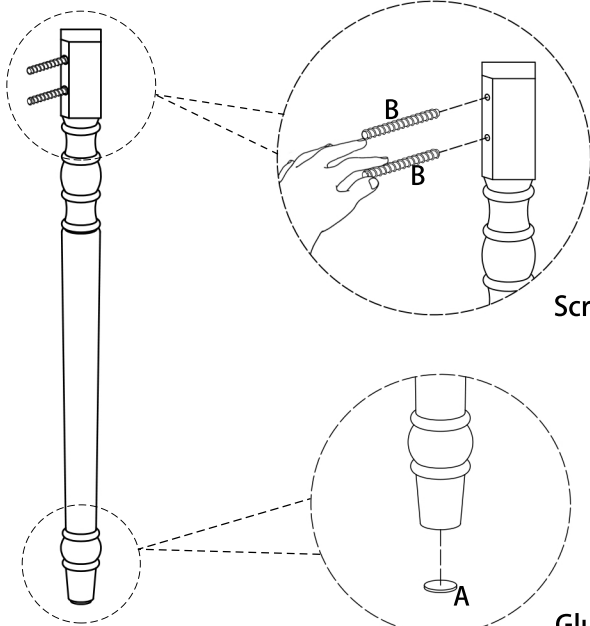


H×8



I×1

## Installation Steps

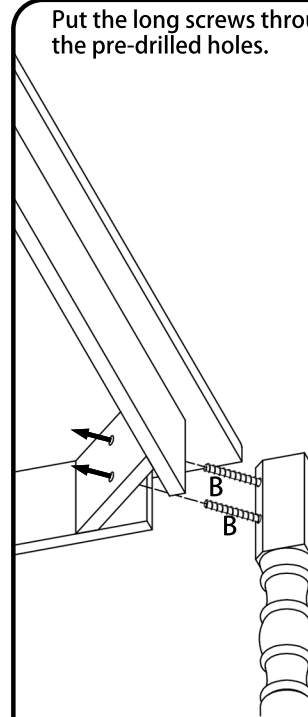


Screw the long screws.

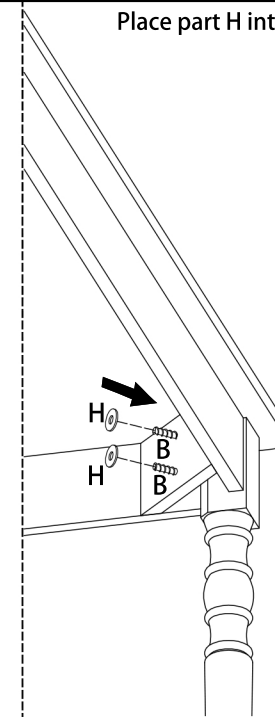
Glue on the foot mats.

## Installation Steps

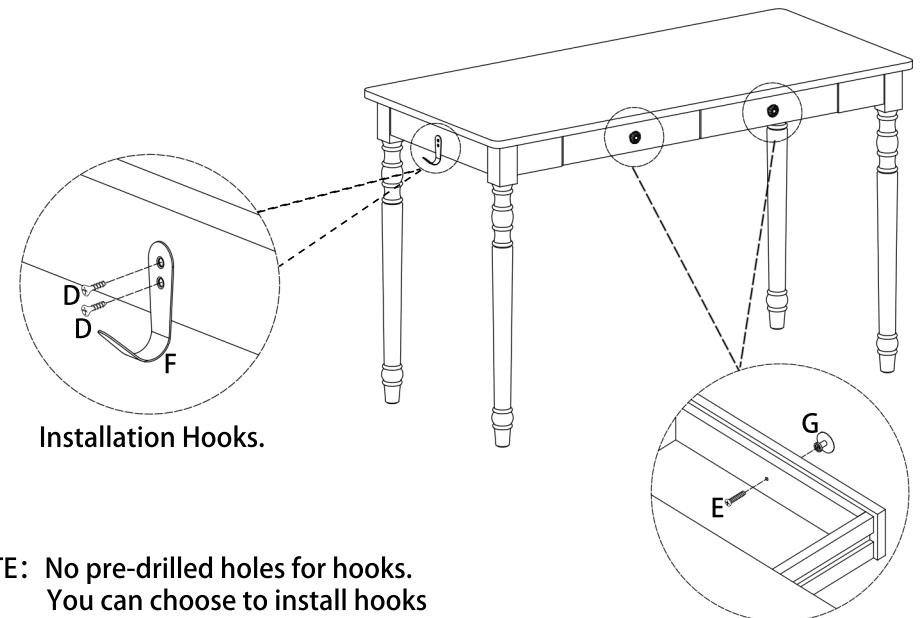
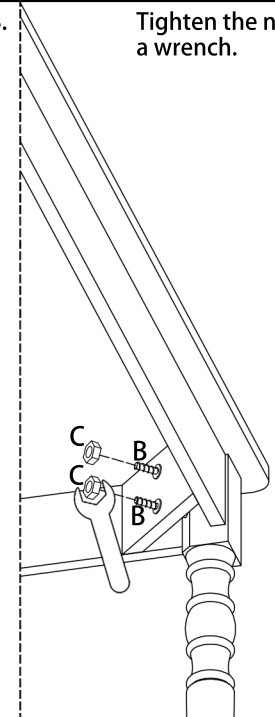
Put the long screws through the pre-drilled holes.



Place part H into part B.



Tighten the nut with a wrench.



Installation Hooks.

Install the handle.

NOTE: No pre-drilled holes for hooks.  
You can choose to install hooks  
or not as needed.