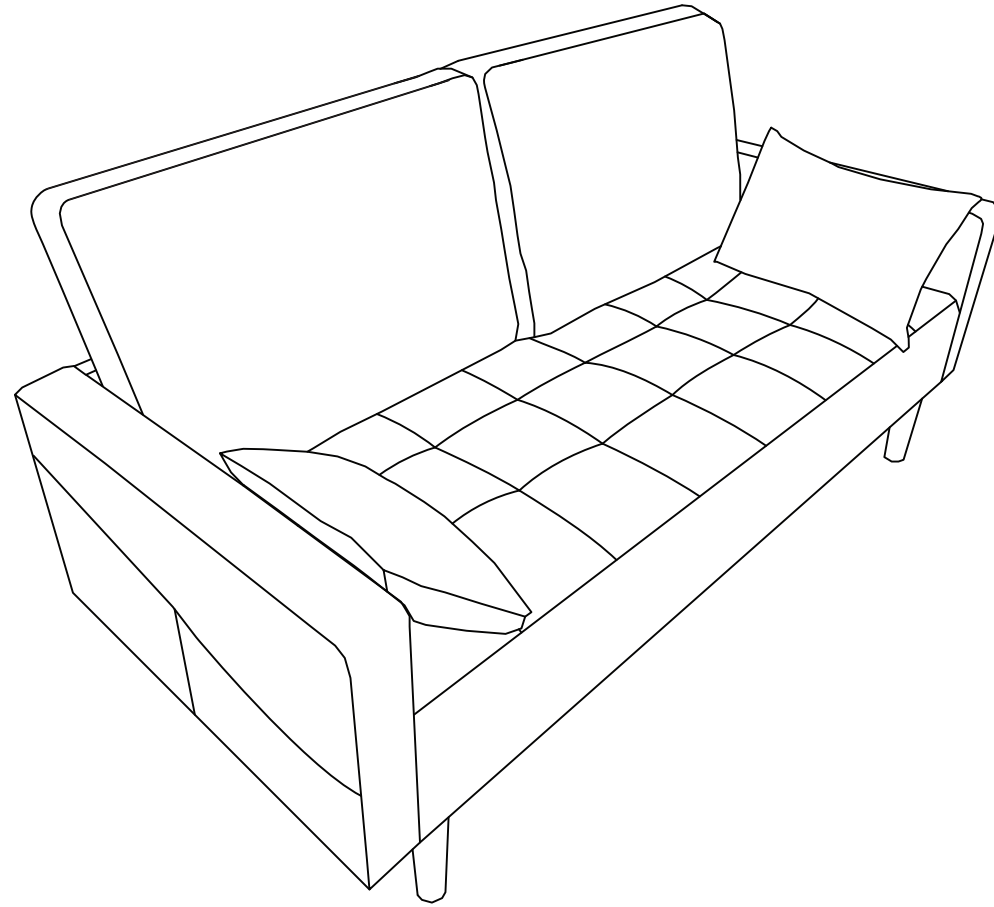
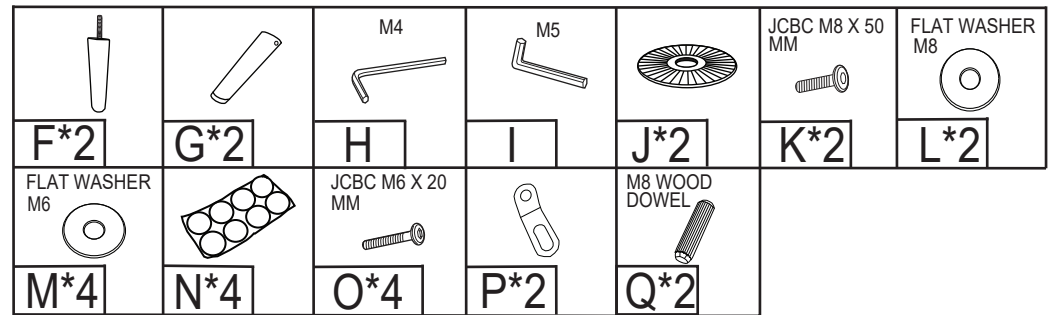
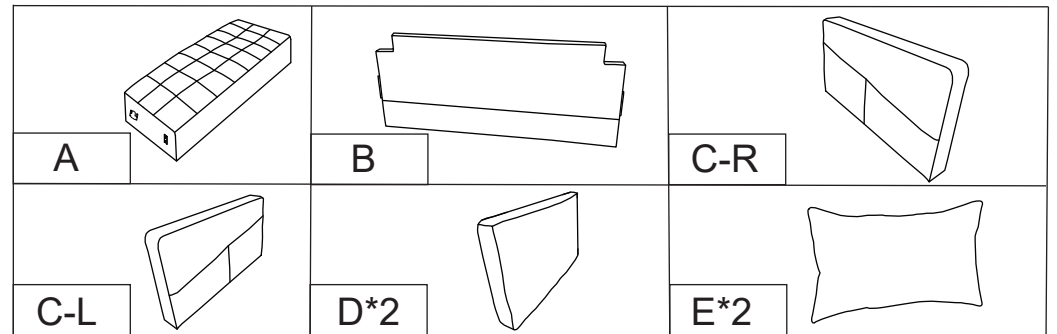
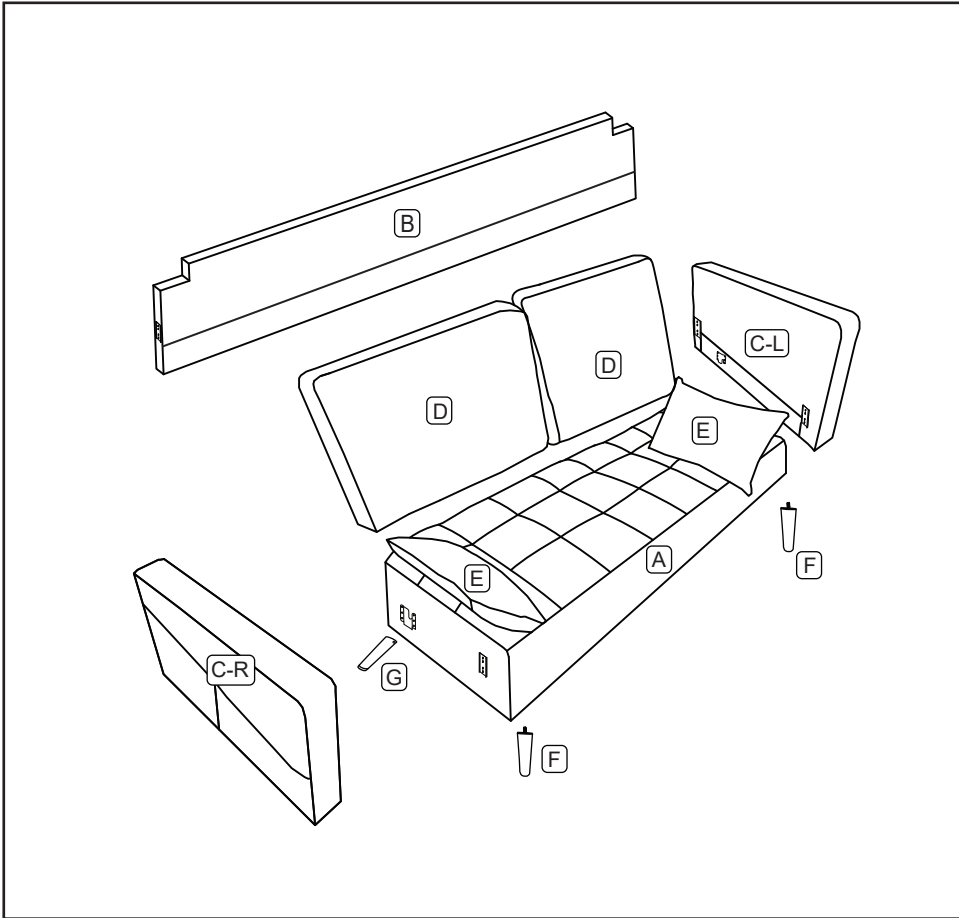


ASSEMBLY INSTRUCTION

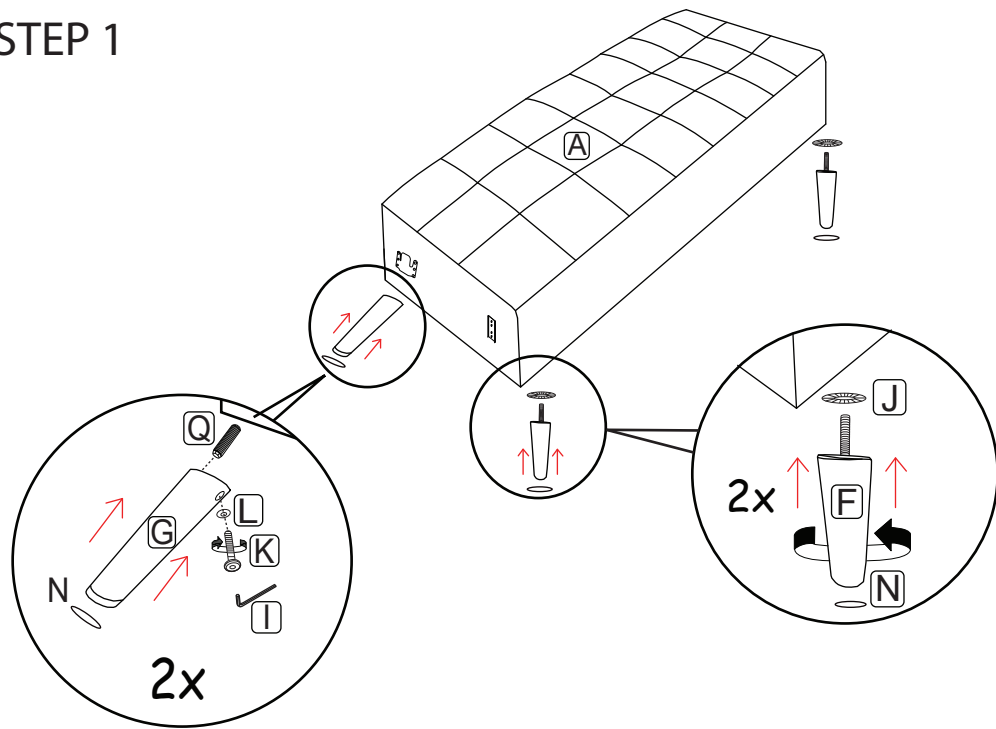


Notice:

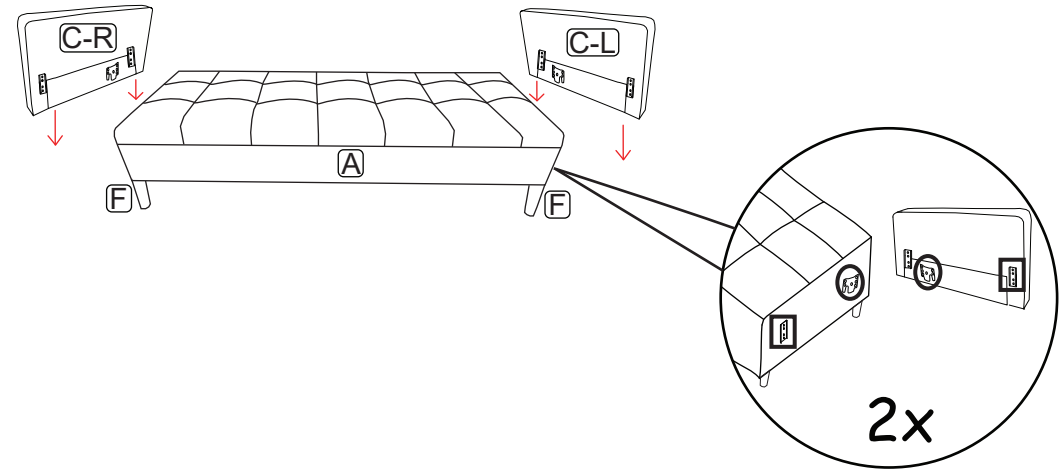
1. Follow the installation instructions. Please confirm all accessories are preset before installation.
2. Do not fully tighten screws during initial assembly. Gently adjust the board to make them level. Only tighten after all pieces are correctly assembled.
3. If you encounter any problems during installation, refer to two solutions: Follow the installation video tutorial on the Amazon product page or contact our customer service.



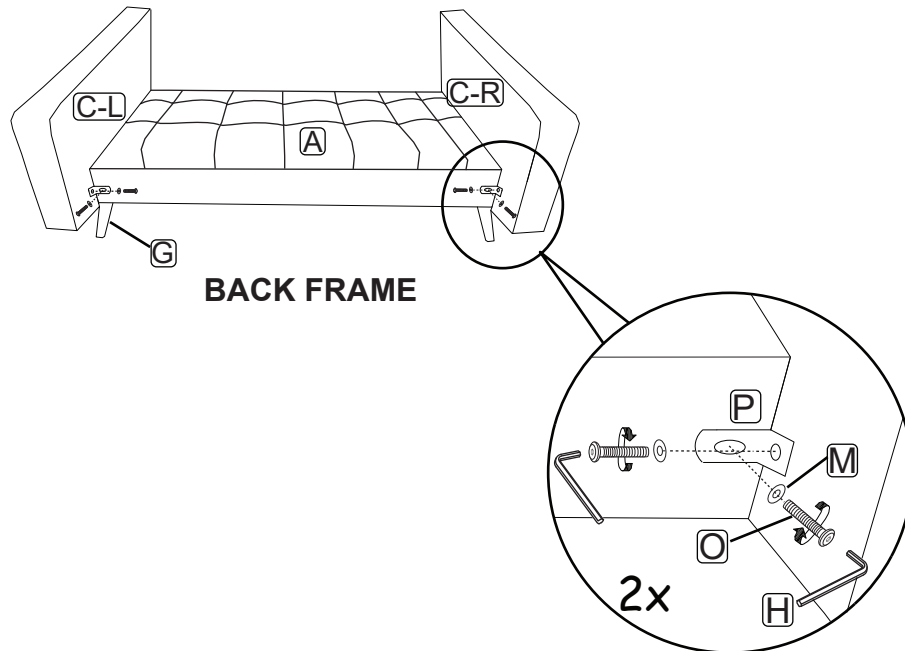
STEP 1



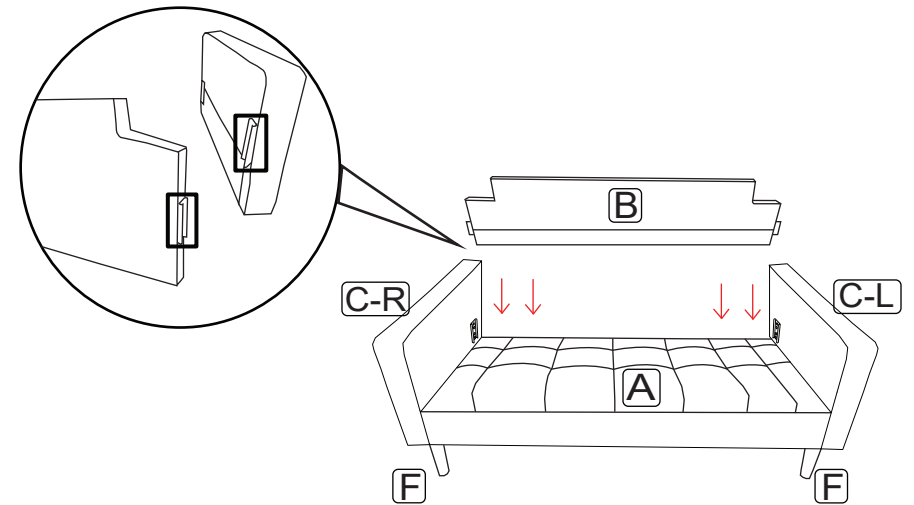
STEP 2



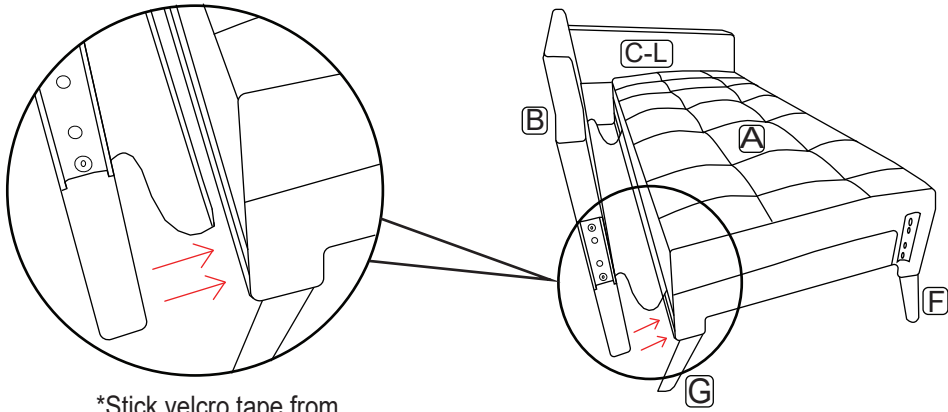
STEP 3



STEP 4

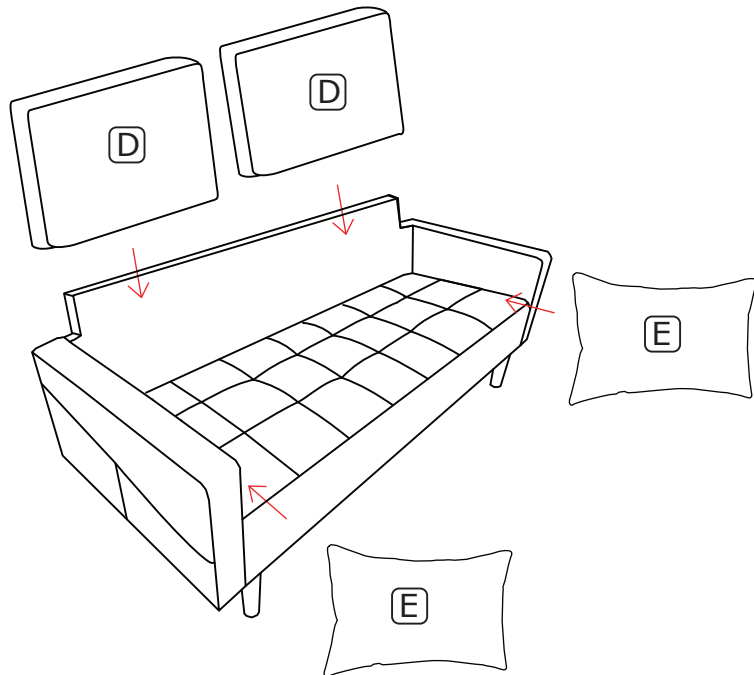


STEP 5

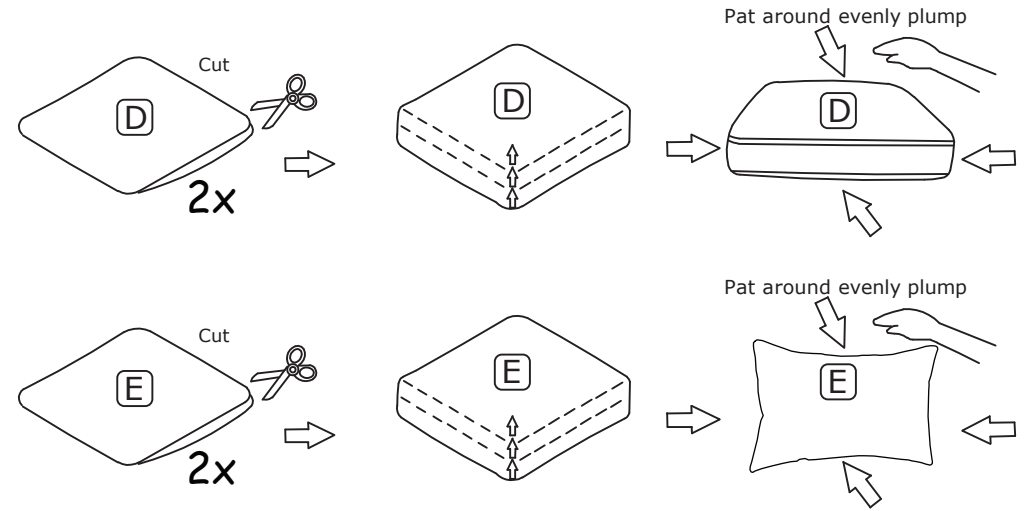


*Stick velcro tape from backrest to seater

STEP 7

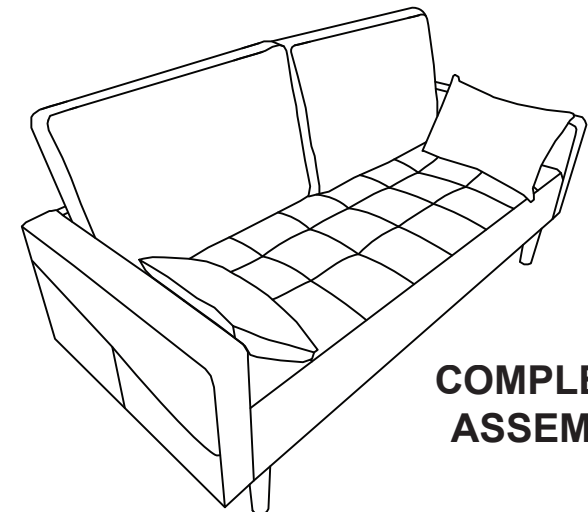


STEP 6



TIPS:

1. Please do not open the compress packaging until your sofa frame is completely assembled.
2. Compress back cushions and pillows need to be fully fulfilled within 72 hours for your perfect use.
3. Please keep children away from plastic bags or any small pieces of stuff.



**COMPLETED
ASSEMBLY**