

Plant boxes Czardas System



assembly instructions

Thank you for choosing a plant box from our Czardas System.

All planters are made of **easy-care** and **weatherproof** plastic. Below are the assembly instructions for each model.

The individual parts can be assembled in a **plug-in system** and **do not require any tools**. You may choose to use a **6–10 mm drill**.

If you have any questions, please do not hesitate to contact us:
service@khw-geschwenda.de

***Assembly instructions plant box
from page 3***

***Assembly instructions plant box with trellis
from page 5***

plant box **Overview of variants**

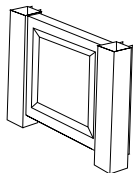


plant box 43 cm

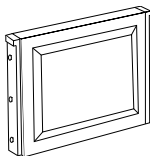


plant box 100 cm

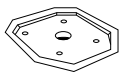
content



2 x side panel
with post



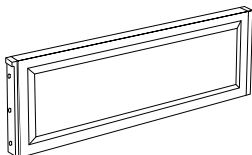
2 x side panel
43 cm Art. 3800.



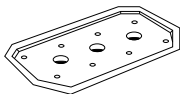
1 x base plate
43 cm Art. 3800.



4 x cap



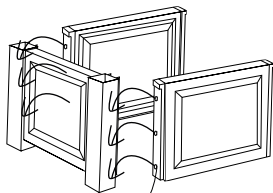
2 x side panel
100 cm Art. 3810.



1 x base plate
100 cm Art. 3810.

assembly

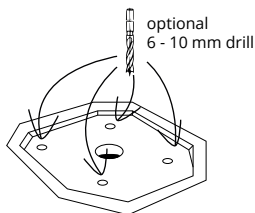
1



- 1.
- 2.
- 3.

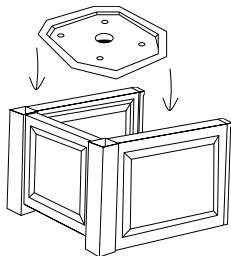
1. Insert the round tabs into the openings
2. Press the part down
3. Let it click into place.
Caution! The part may break if too much force is applied!

2

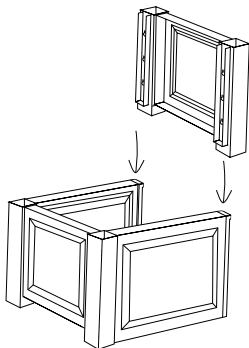


optional
6 - 10 mm drill

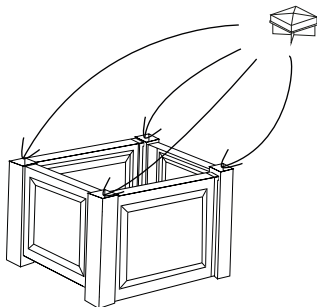
3



4



5



plant box with trellis

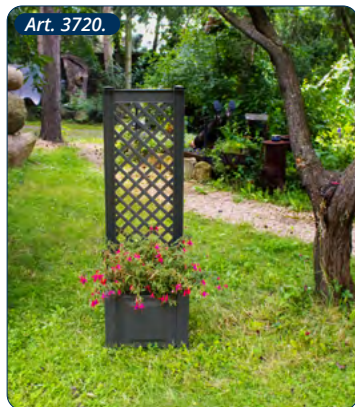
Overview of variants



100 cm, trellis at the back

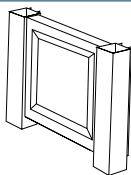


100 cm, trellis in the middle



43 cm, trellis at the back

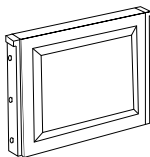
content



2 x side panel
with post

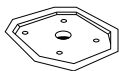
43 cm Art. 3720,

100 cm Art. 4700.



2 x side panel

43 cm Art. 3720.



1 x base plate

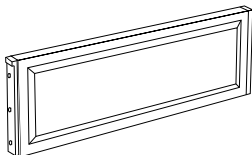
43 cm Art. 3720.



cap 43 cm Art. 3720.

4 x 100 cm Art. 4700.

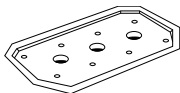
6 x 100 cm Art. 4710.



2 x side panel

100 cm Art. 4700.

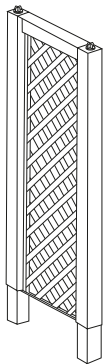
100 cm Art. 4710.



1 x base plate

100 cm Art. 4700.

100 cm Art. 4710.



1 x trellis

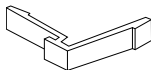
43 cm Art. 3720.



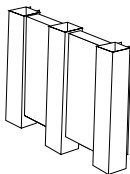
connector

100 cm Art. 4700.

100 cm Art. 4710.

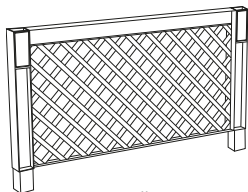


corner connector



2 x side panel
with post

100 cm Art. 4710.



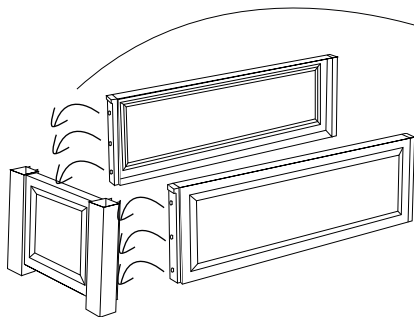
2 x trellis

100 cm Art. 4700.

100 cm Art. 4710.

assembly

1



1. 

2. 

3. 

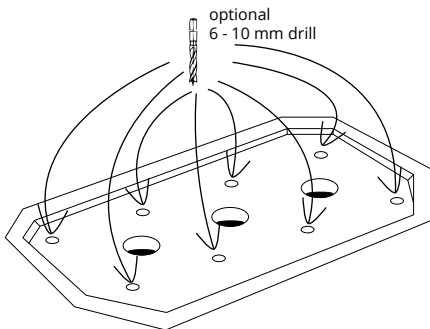
1. Insert the round tabs into the openings

2. Press the part down

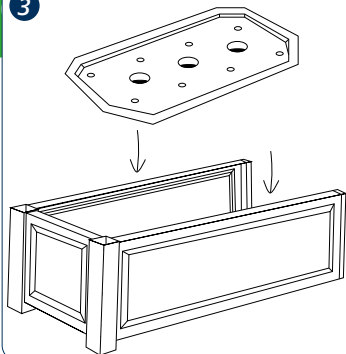
3. Let it click into place.

Caution! The part may break if too much force is applied!

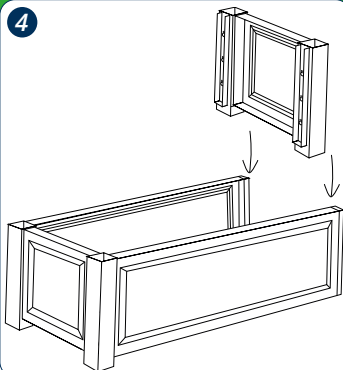
2



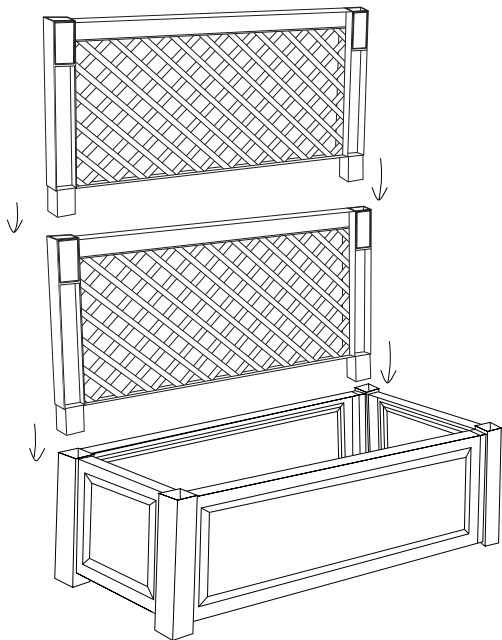
3



4



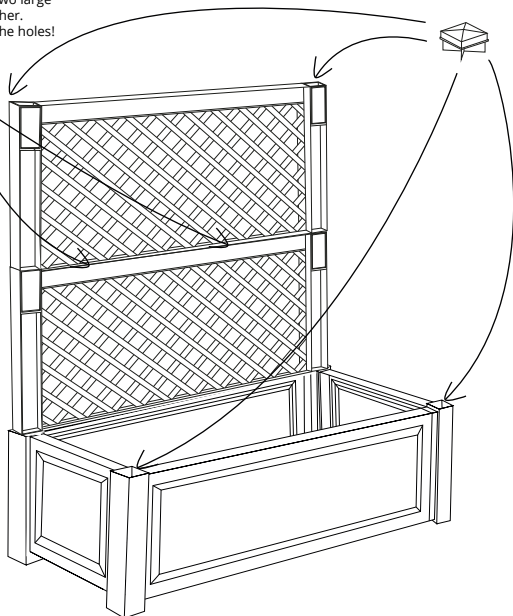
5

**Art. 4710.**Insert trellis
in the middle!

- 6** Connect the two large trellises together. Orientate to the holes!



2 x
(Rest =
spare parts)



International version

To get the assembly instructions in another language **scan** the **QR code**.

Plant boxes with trellis

Connectivity options



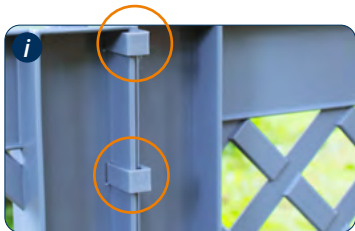
2 x

Connect the sides of the plant boxes - use the holes as a guide!



2 x

Connect the sides of the plant boxes - use the holes as a guide!



2 x

Connect the sides of the plant boxes - use the holes as a guide!



2 x

Connect the sides of the plant boxes - use the holes as a guide!

Plant and care instructions

- Choose the **right potted plants** for the location of your plant box. Pay attention to whether it is sunny or more shaded there.
- Use **fresh, loose and well-aerated soil** that will retain water.
- Only water your plants in the early morning or evening hours, **ascertain the right amount while watering**, and pay attention to your potted plants' individual needs.
- **Fertilise** your container plants **regularly**.
- Pay attention to your plants and **check them regularly for pests or diseases**.
- The trellis is an ideal climbing aid for **climbing plants**. If the plants are too heavy, they can also be **fastened** using **wire** or **ropes**.

We wish you the best of luck!

Blossom inspiration for your plant box



Garden hibiscus



Phlox



Hosta



Crucifers



Lantana



Shrub daisy



Hydrangea



Fuchsia



Just as individual as you are!

In addition to plant boxes, there are also garden benches and trellises in the same design, which you can **combine as you wish** in your garden. There are no limits to your creativity!

Are you familiar with ...

our

Demeter raised bed?

Our raised garden bed is made of **100 percent recycled plastic** to help the environment, is **easy to care** for, **weather-proof** and is suitable for every garden thanks to its **simple and timeless design**.

Bon appetit!





We are also the right partner in winter!

On a sled from our **Junior** series, even the youngest children can have fun in the snow.

Later on, the models from the **Classic** range ensure speedy descents on the toboggan slope.

The sledges from the **Adventure** range are an intense experience for young and old.

Our sleds are:

- made in Germany
- TÜV-tested
- free of harmful chemicals
- made of high-quality cold- and light-resistant plastic
- comfortable and ergonomic
- certified with the spiel gut seal*

follow us on



* this applies only to selected models



KHW Kunststoff- und Holzverarbeitungswerk GmbH
Alte Lage 1a · 99331 Geratal OT Geschwenda

Telefon +49 3 62 05 - 7 49-0
Telefax +49 3 62 05 - 7 49 34

info@khw-geschwenda.de
www.khw-geschwenda.de



#gemeinsampurenhinterlassen