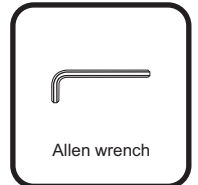
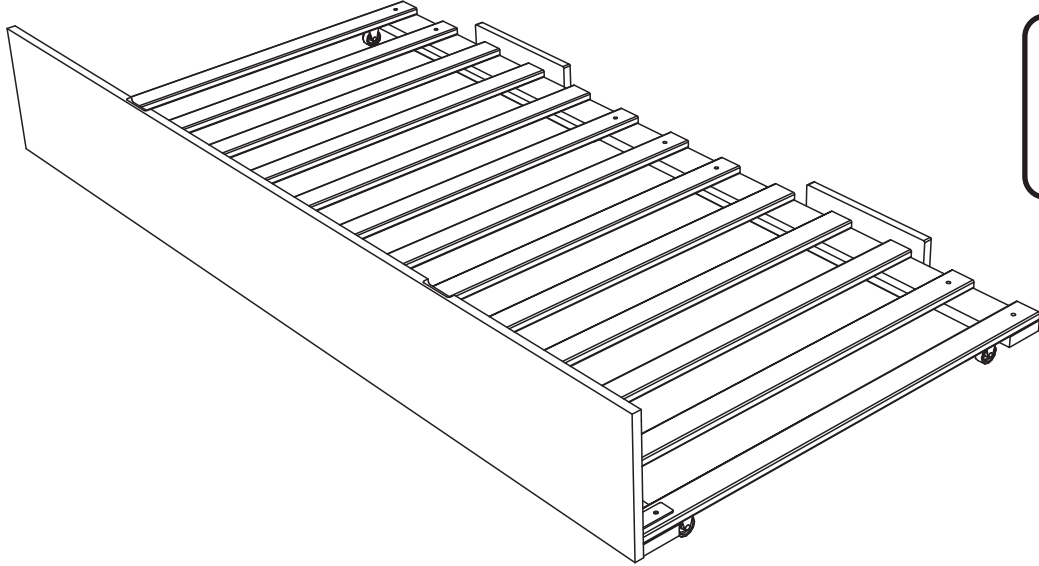


ASSEMBLY INSTRUCTIONS



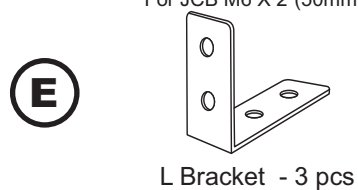
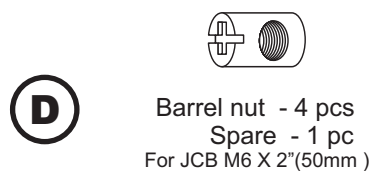
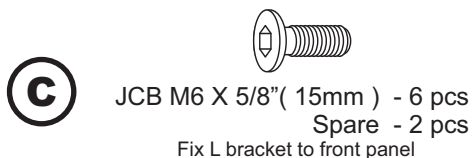
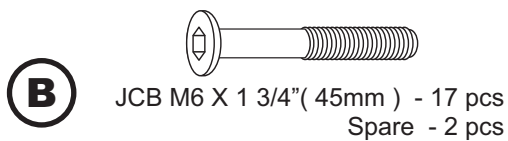
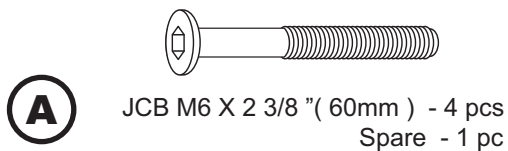
Before assembling your Trundle bed, please read through these instructions carefully. Familiarize yourself with the different parts.

ATTENTION! If you receive a damaged or defective item, please contact us.



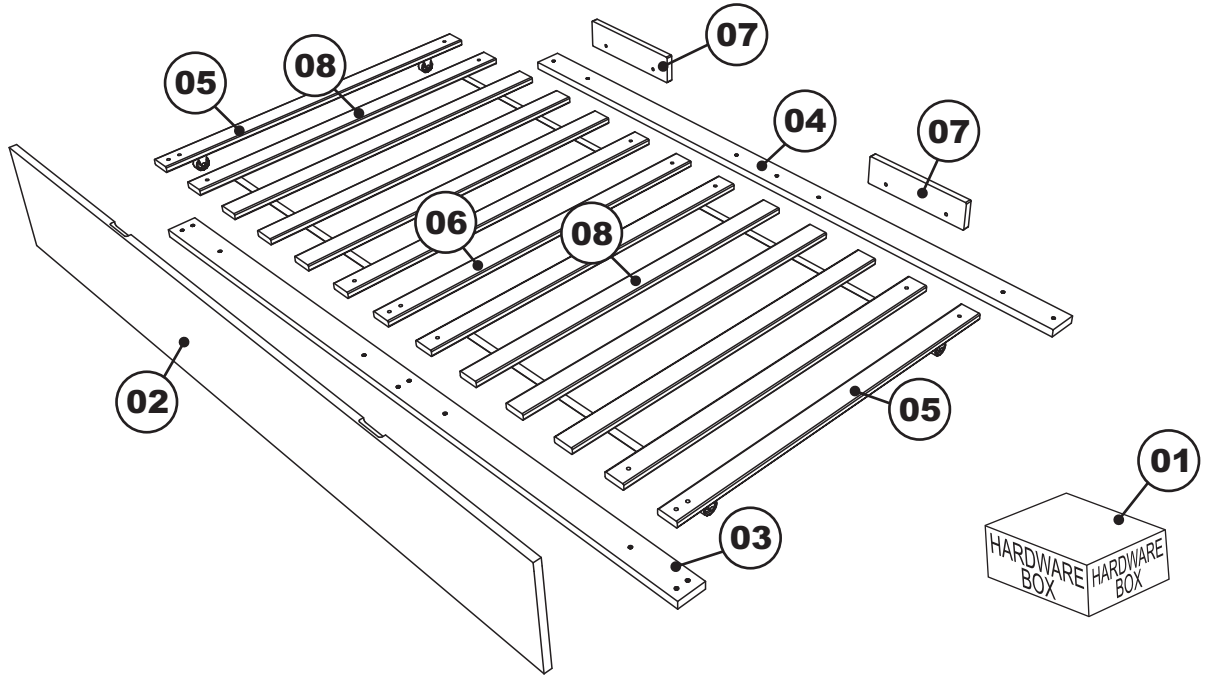
HARDWARE

NOTE: WE INCLUDE SPARE HARDWARE IN CASE DAMAGE OCCURS DURING ASSEMBLY.



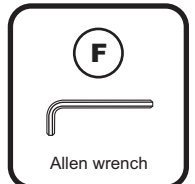
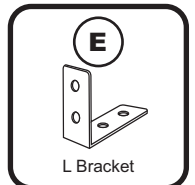
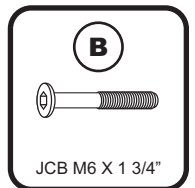
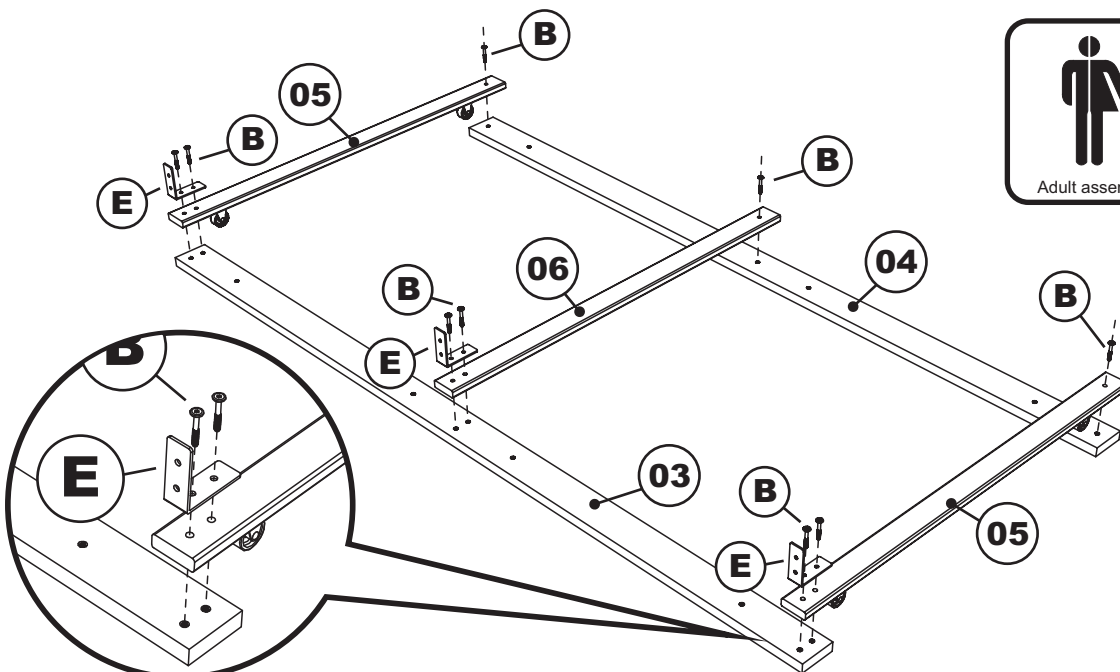
PARTS LIST

| | | | | | |
|-----------|--------------------|--------------|-----------|--------------------------|--------------|
| 01 | HARDWARE | 1 BOX | 05 | SIDE CROSS RAIL | 2 PCS |
| 02 | FRONT PANEL | 1 PC | 06 | CENTER CROSS RAIL | 1 PC |
| 03 | FRONT RAIL | 1 PC | 07 | REAR BLOCK | 2 PCS |
| 04 | BACK RAIL | 1 PC | 08 | SLAT KIT | 2 SET |



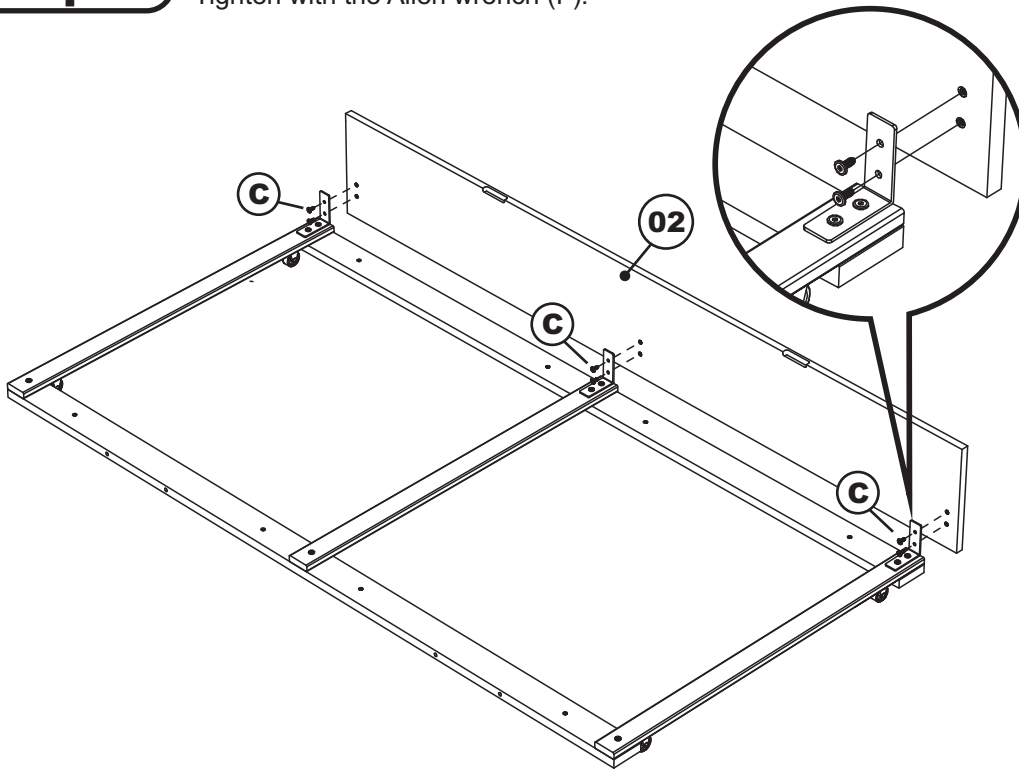
Step 1

Attach the side cross rails (05) and center cross rail (06) to the front and back rail (03)(04), using L bracket (E), JCB M6 X 1 3/4"(B). Tighten with the Allen wrench (F).



Step 2

Attach the front panel (02) to the front rail as shown, using JCB M6 X 5/8" (C). Tighten with the Allen wrench (F).



Adult assembly

C



JCB M6 X 5/8"

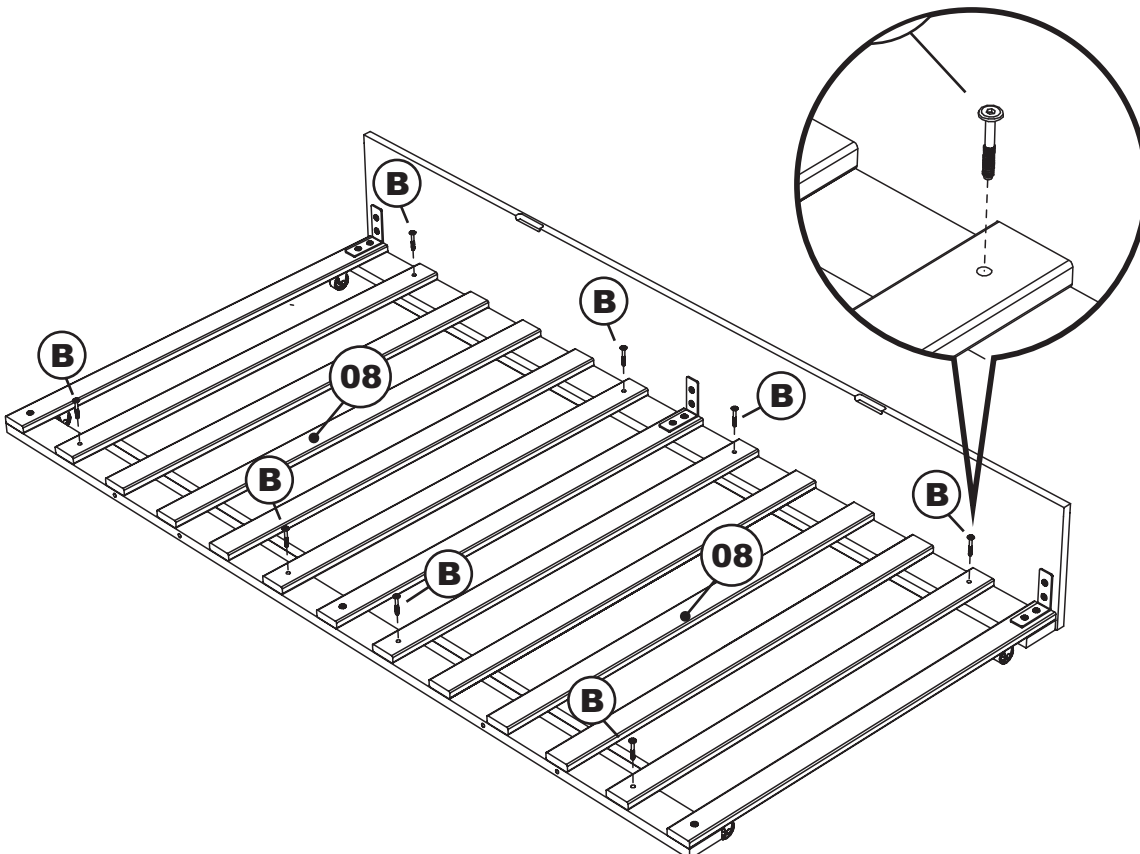
F



Allen wrench

Step 3

Lay the slat kit (08) onto the rail assembly as shown, using JCB M6 X 1 3/4" (B). Tighten with the Allen wrench (F).



Adult assembly

B



JCB M6 X 1 3/4"

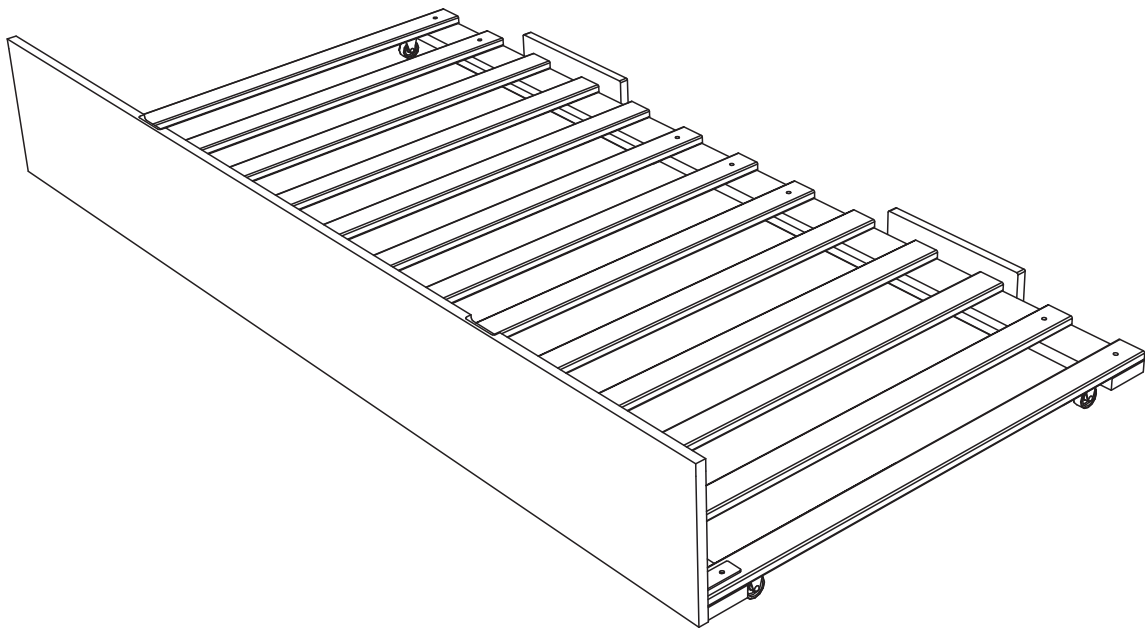
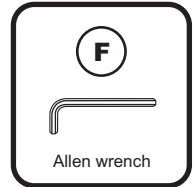
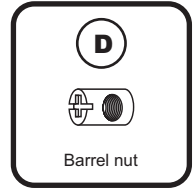
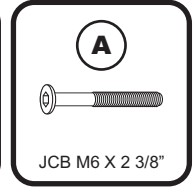
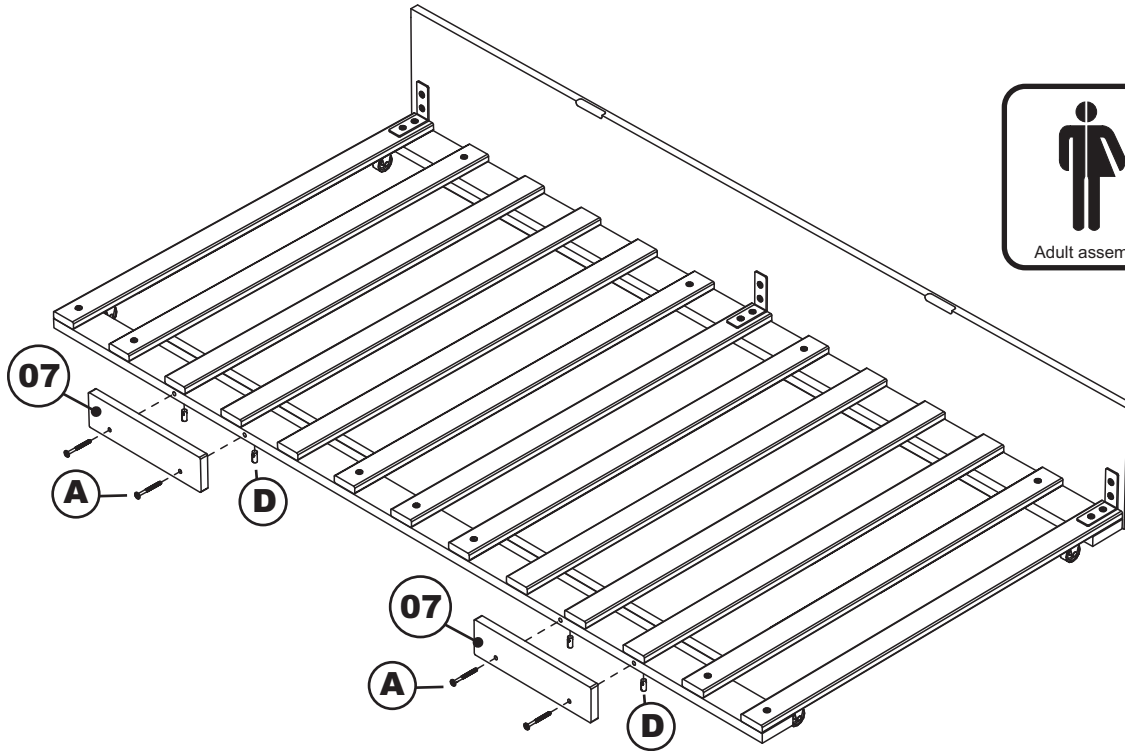
F



Allen wrench

Step 4

Attach the rear block (07) to the back rail as shown. Using JCB M6 X 2 3/8" (A) barrel nut (D), tighten with the Allen wrench (F)



Congratulations!

Your Trundle bed is now ready for use.
We recommend that you periodically check that all screws are tight
and all parts are secure to ensure lasting safety.