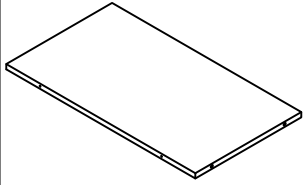
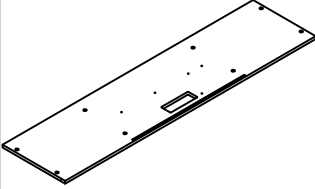
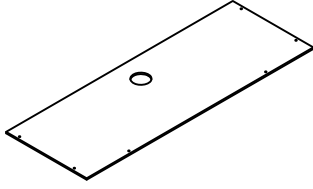
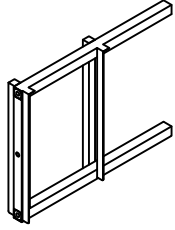
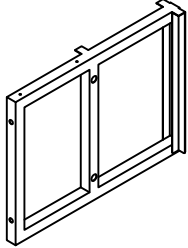
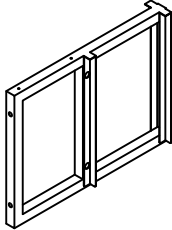
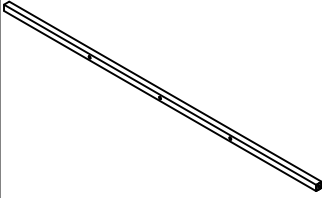
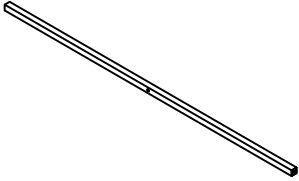
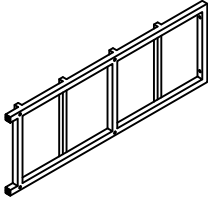
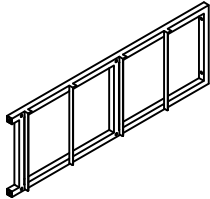
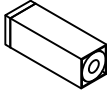
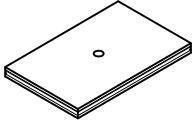
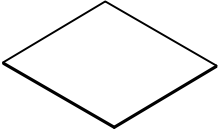
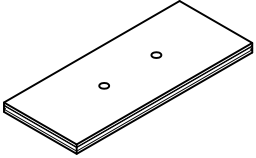
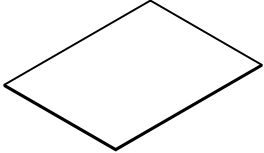
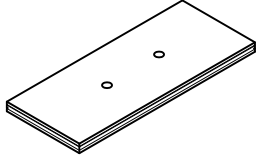
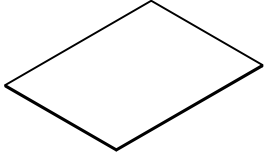


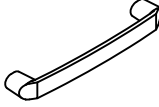

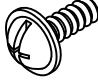

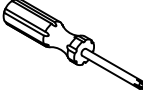

9 Drawer Dresser with Power Outlet

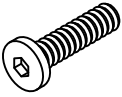
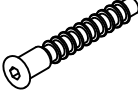

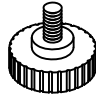





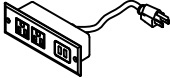
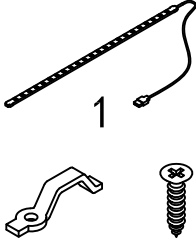
Parts List

NO.	①	②	③	④	
Parts					
Qty	1	1	1	1	
NO.	⑤	⑥	⑦	⑧	
Parts					
Qty	1	1	2	2	
NO.	⑨	⑩	⑪	⑫	⑬
Parts					
Qty	1	1	1	4	4
NO.	⑭	⑮	⑯	⑰	
Parts					
Qty	1	1	4	4	

Parts List

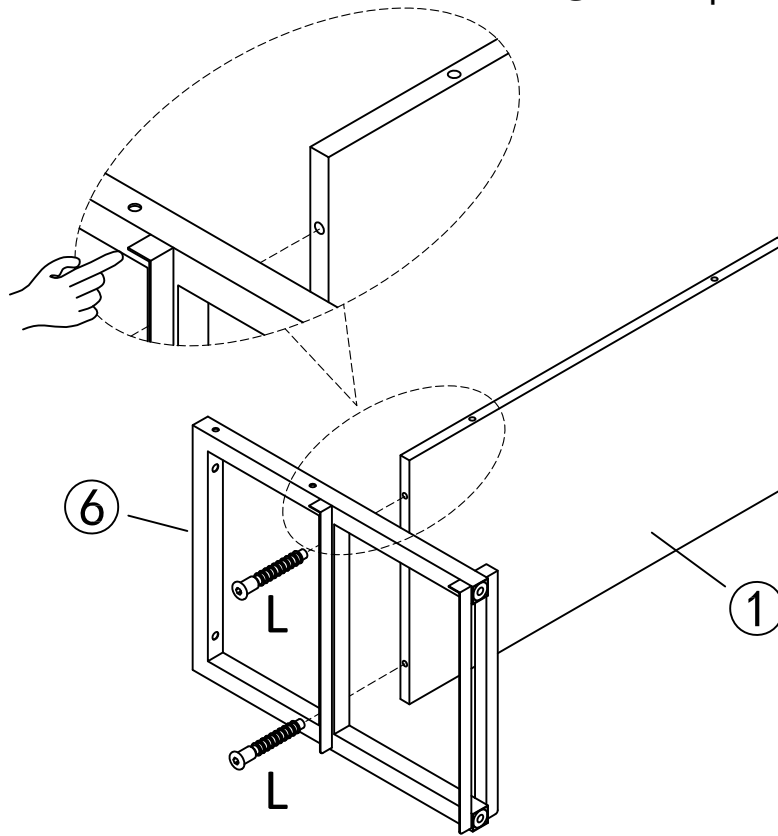
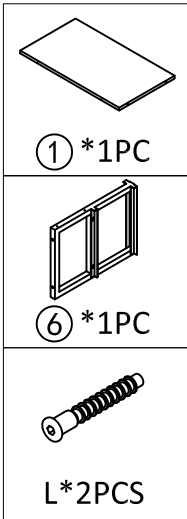
NO.	A	P	M	N	T	S
Parts						
Qty	5	4	14+1	8+1	1	1

NO.	K	L	R	J	V	V2
Parts						
Qty	19+1	4+1	6+1	4	2	2

NO.	O	U2	W
Parts			
Qty	2+1	1	5+1 5+1

STEP 1

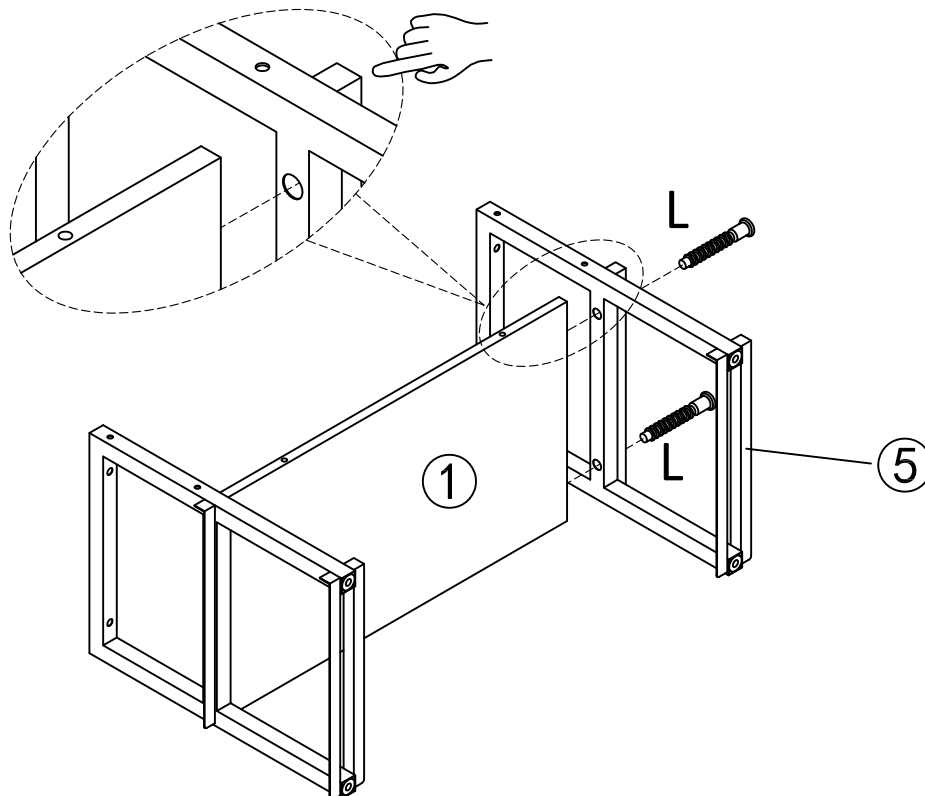
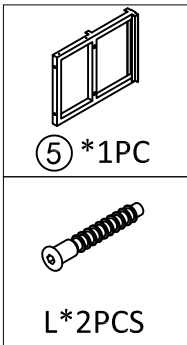
Note: The pre-drilled holes in the plate ① and the iron frame ⑥ are kept in one plane.



Attach plate ① and iron frame ⑥ together and tighten with screw L

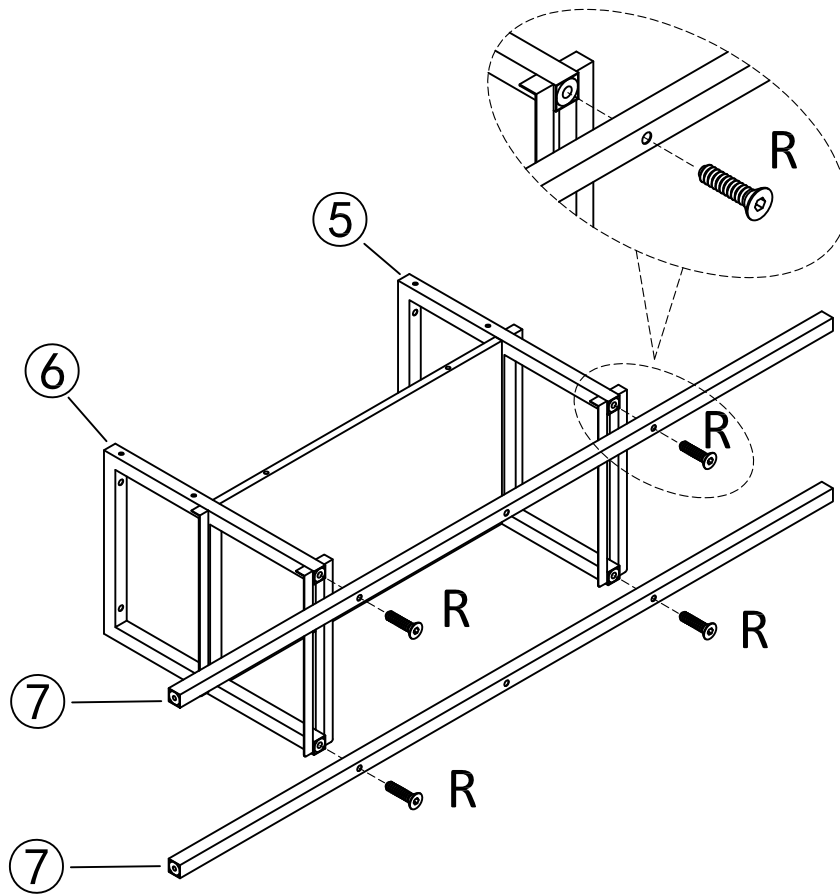
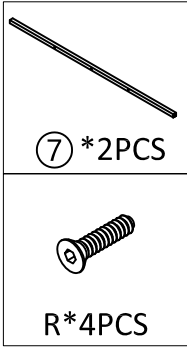
STEP 2

Note: The pre-drilled holes in the plate ① and the iron frame ⑤ are kept in one plane.



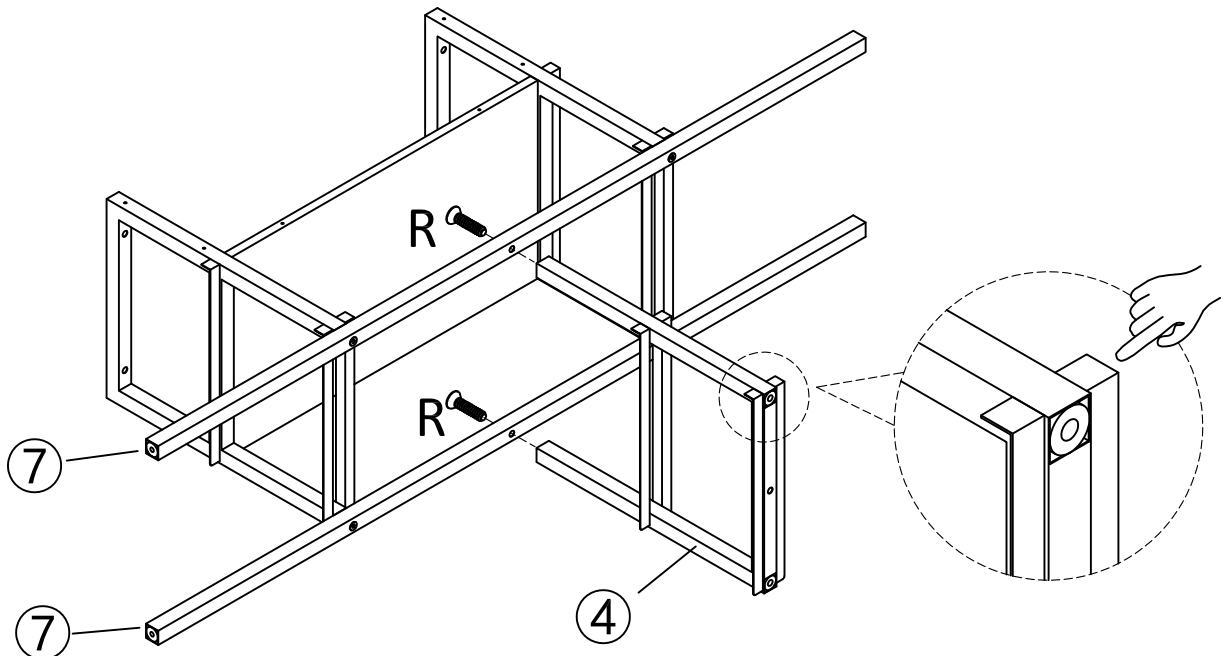
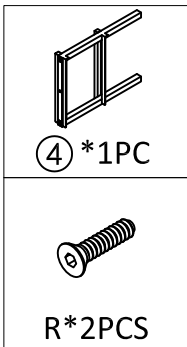
Attach plate ① and iron frame ⑤ together and tighten with screw L

STEP 3



Attach the iron pipe ⑦ to the iron frames ⑤ and ⑥ and tighten them with screw R.

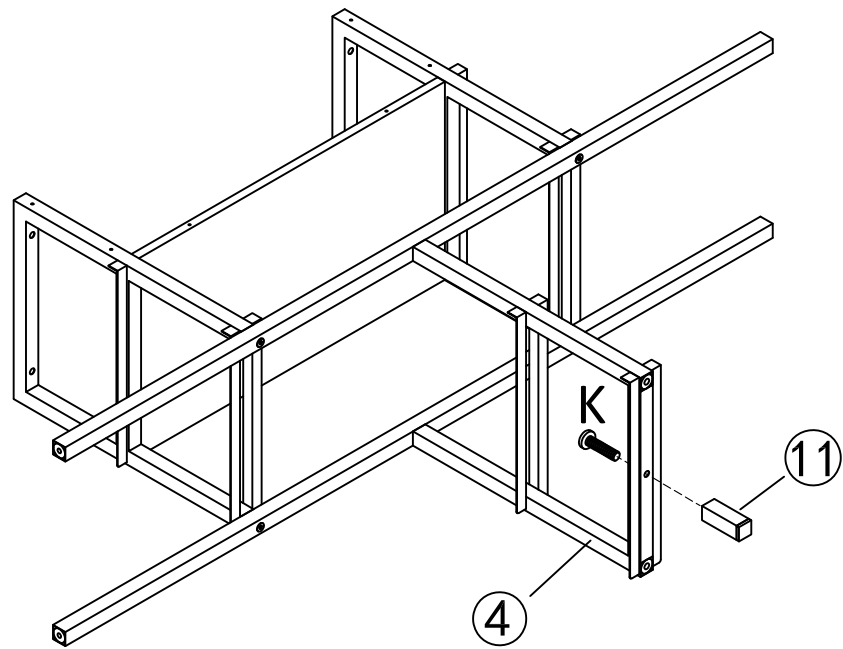
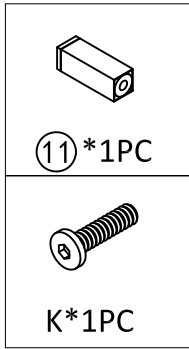
STEP 4



Note: The designated location of iron frame ④ must remain in the same plane as the other iron frames

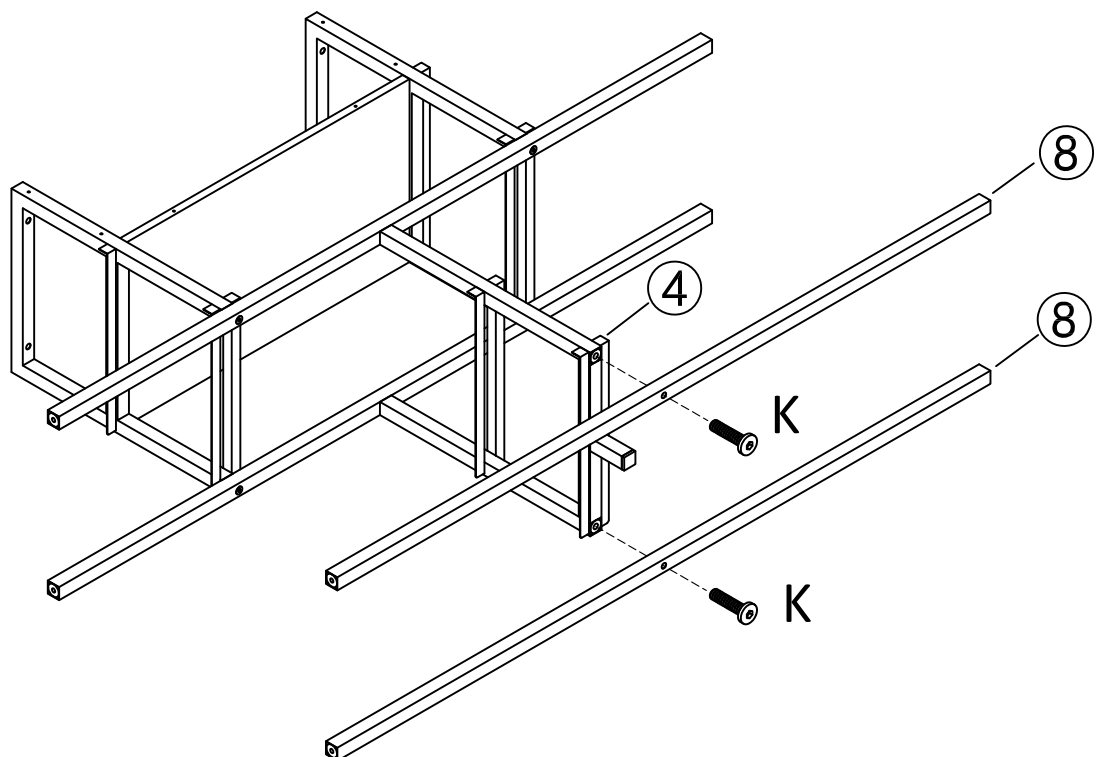
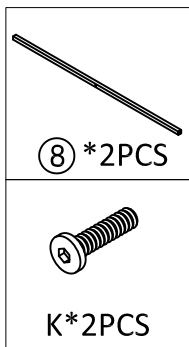
Attach the ④ iron frame and ⑦ iron pipe together and tighten with screws R

STEP 5



Attach the short iron pipe of ⑪ to the iron frame of ④ and tighten it with screw K.

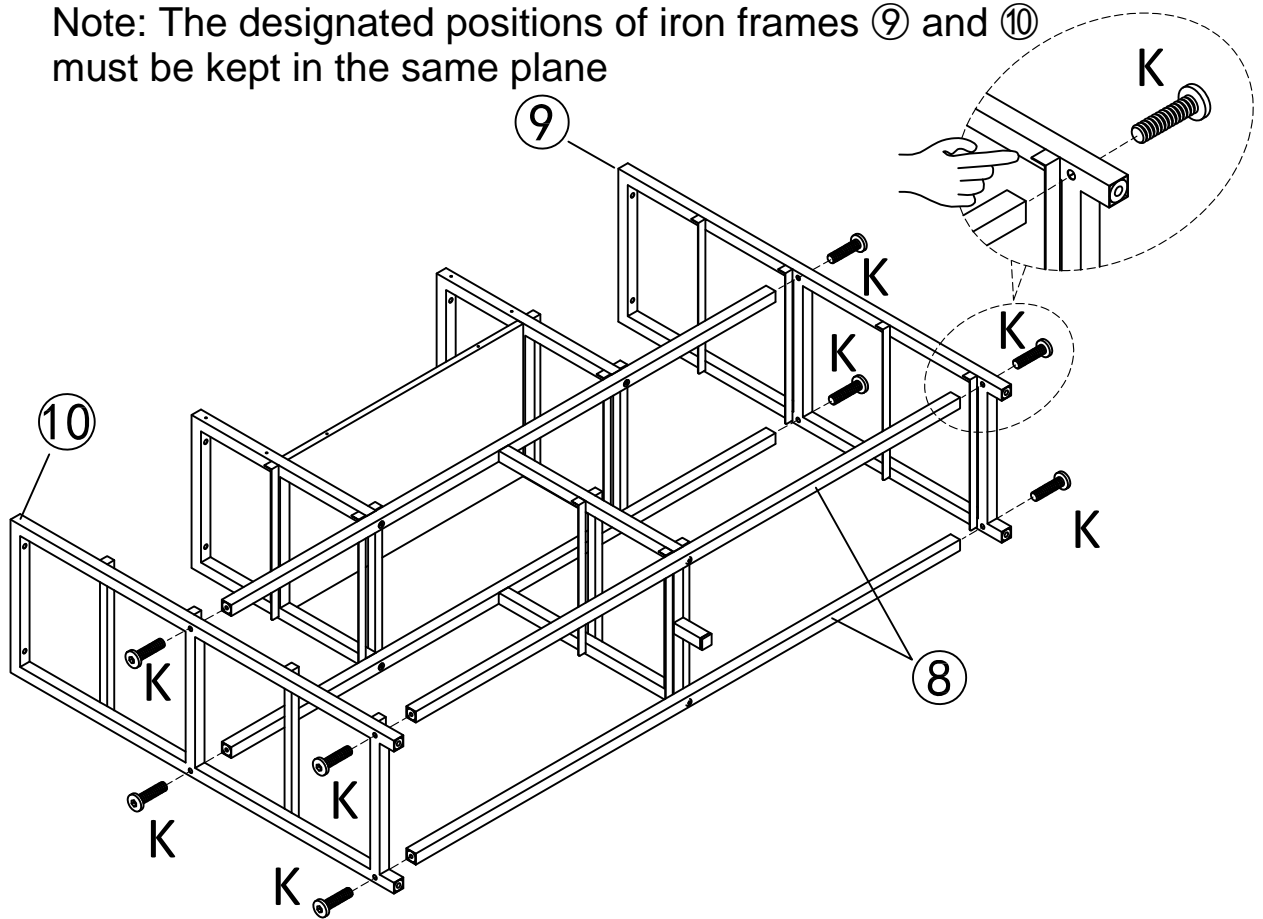
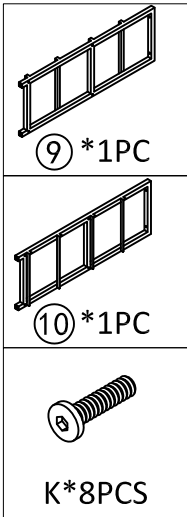
STEP 6



Attach the ⑧ iron pipe to the ④ iron frame and tighten it with screw K.

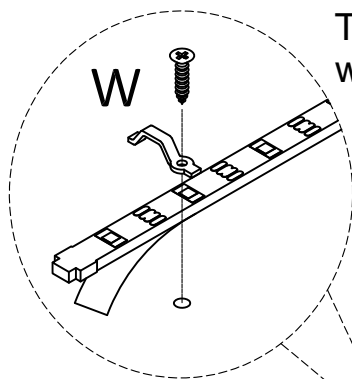
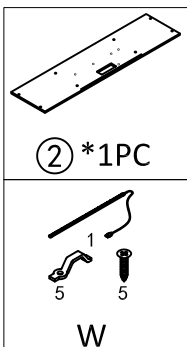
STEP 7

Note: The designated positions of iron frames ⑨ and ⑩ must be kept in the same plane

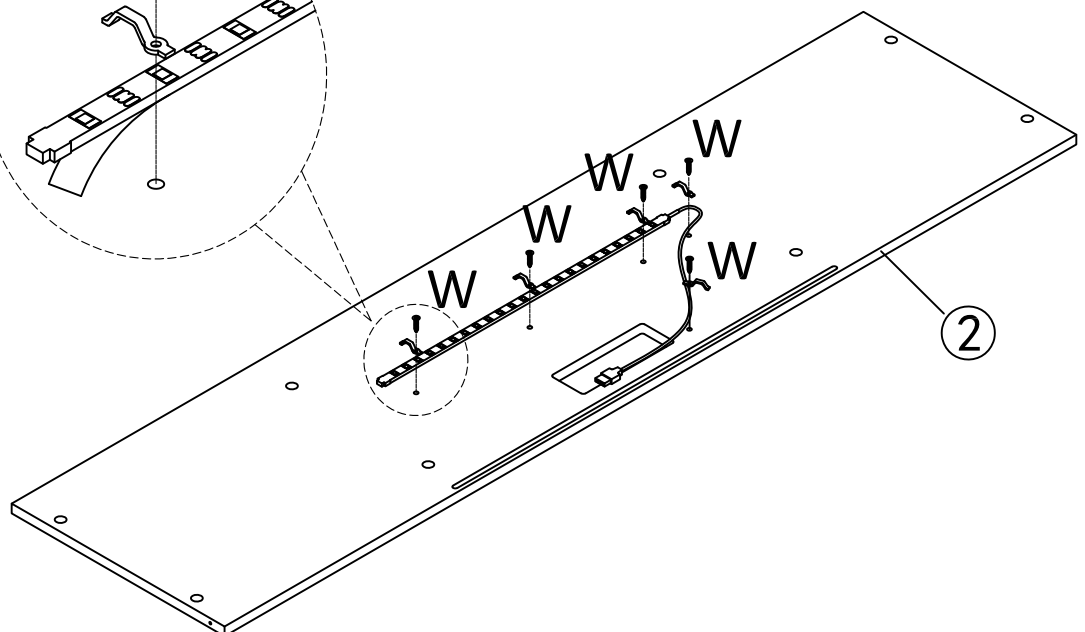


Attach iron frames ⑨ and ⑩ to step 6 and tighten with screws K

STEP 8

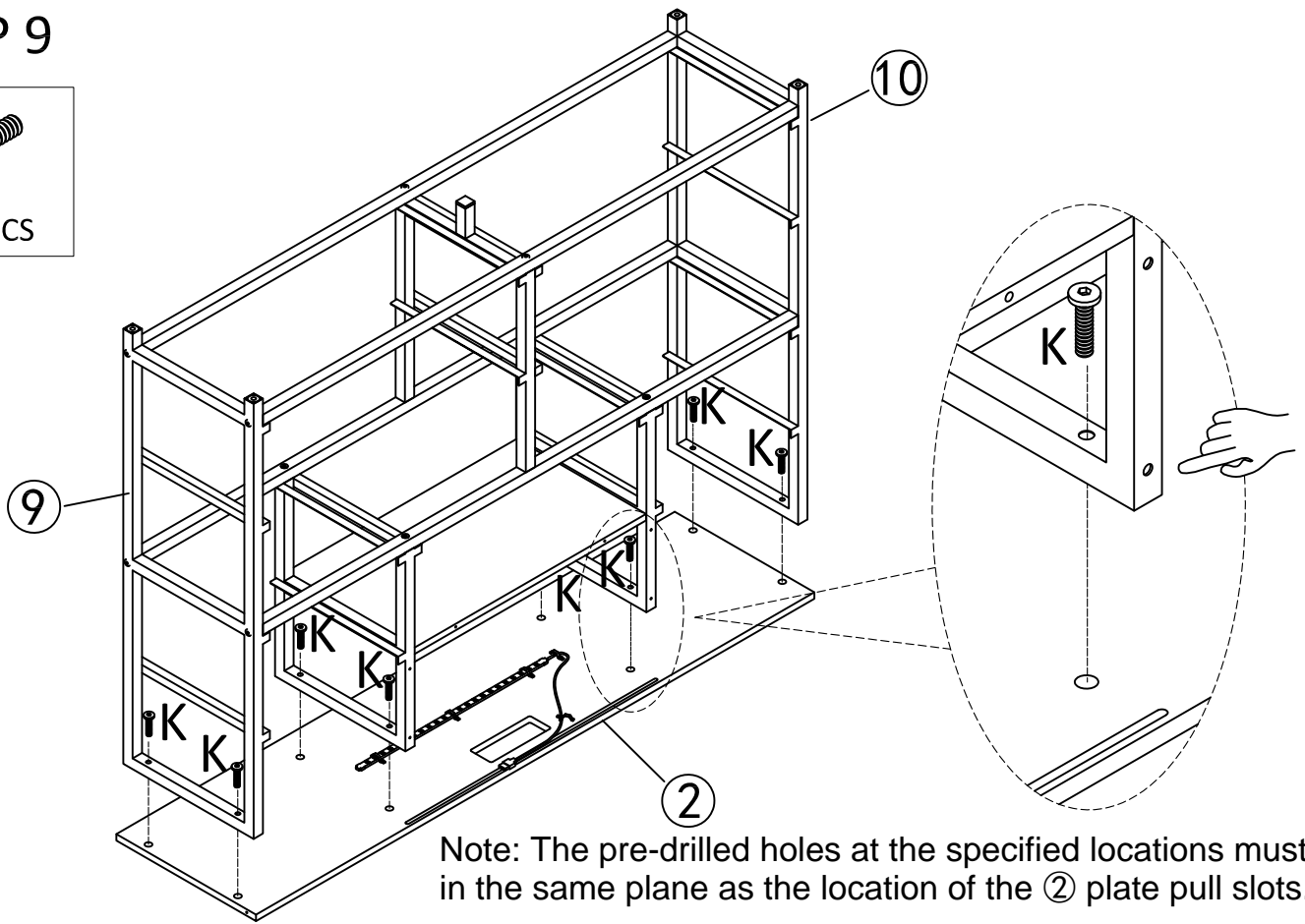
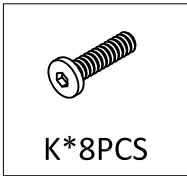


Tear off the 3M adhesive and stick it to the ② plate will be more secure, then tighten the screws



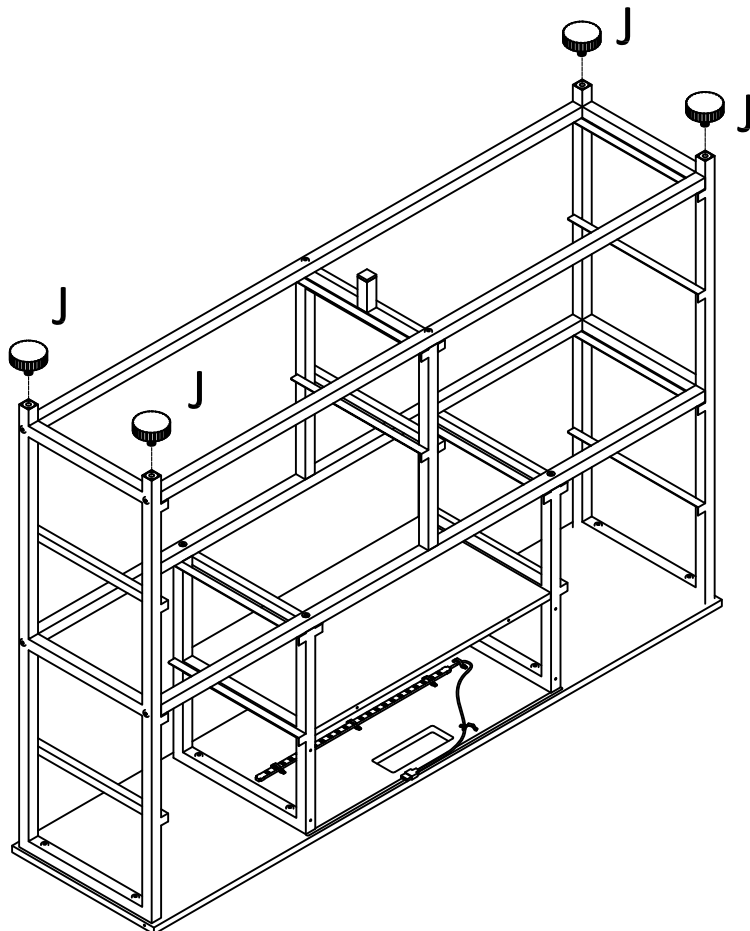
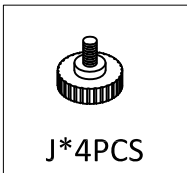
Attach the LED string W to the ② plate and tighten the LED string with the screws included in the W parts kit.

STEP 9



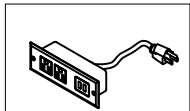
Attach step 7 and ② plate together and tighten with screw K

STEP 10



Attach adjusting foot J to iron brackets ⑨ and ⑩.

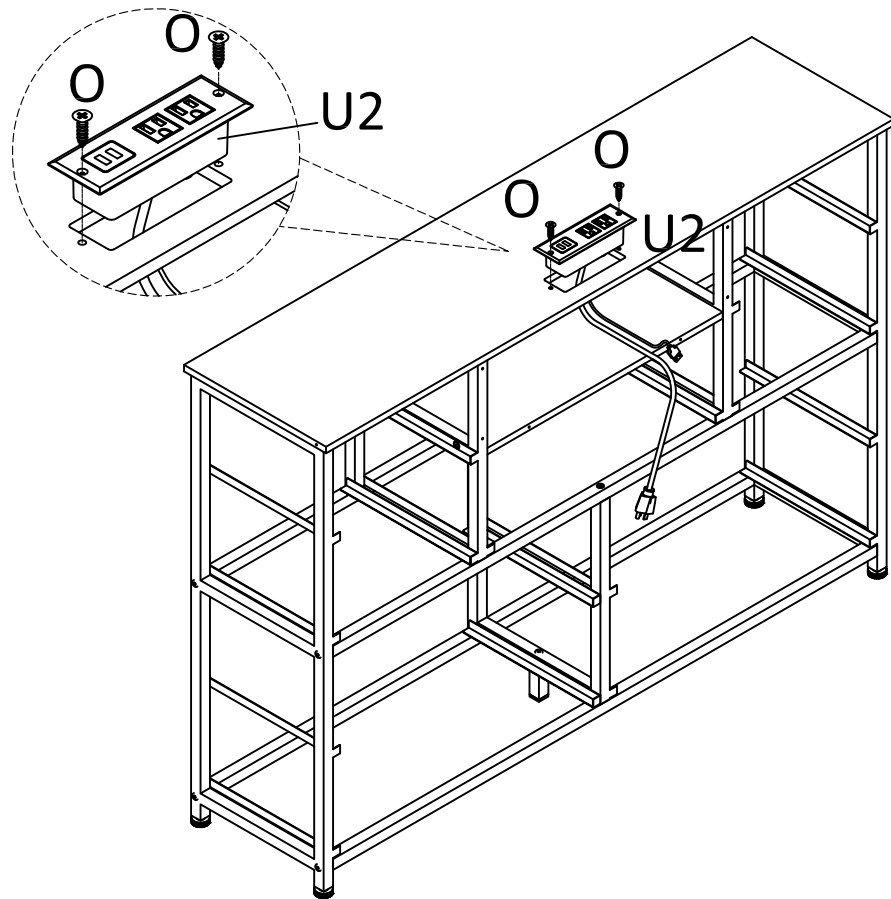
STEP 11



U2*1PC

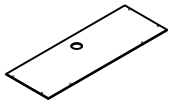


O*2PCS



Attach power socket U2 to plate ②.

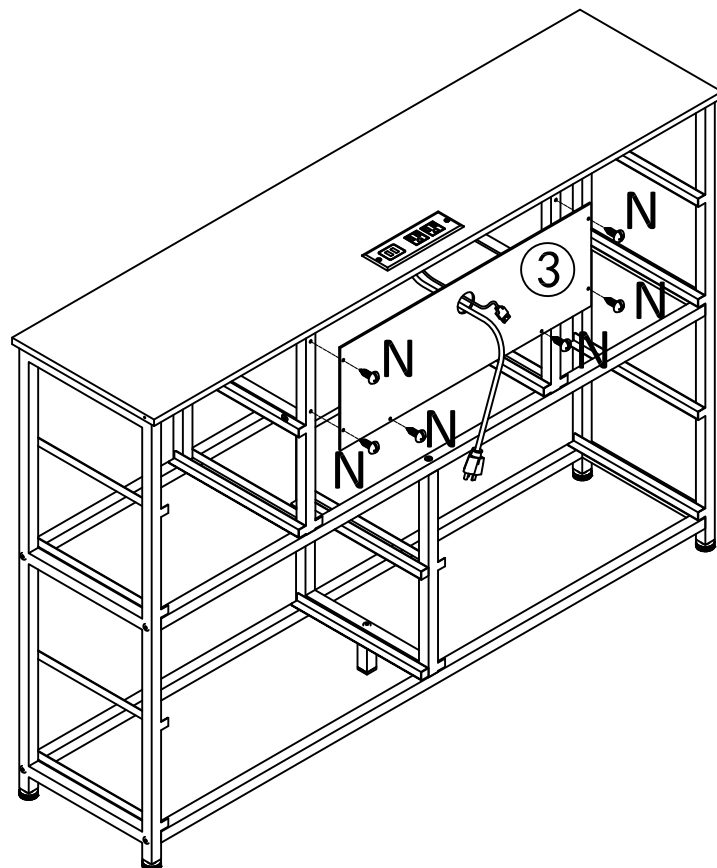
STEP 12



③ *1PC

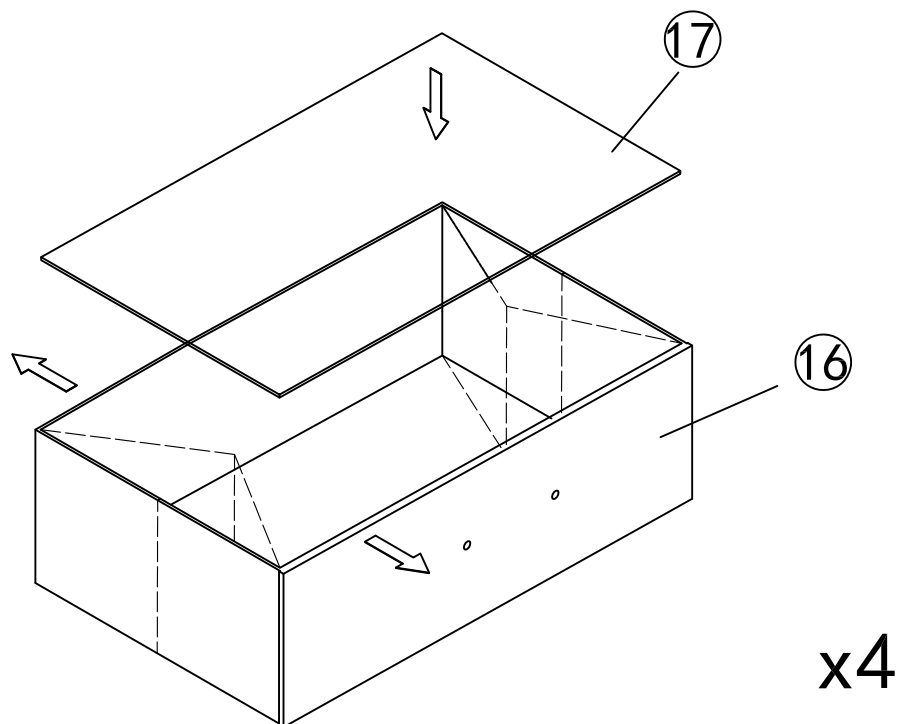
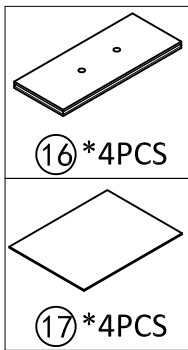


N*6PCS



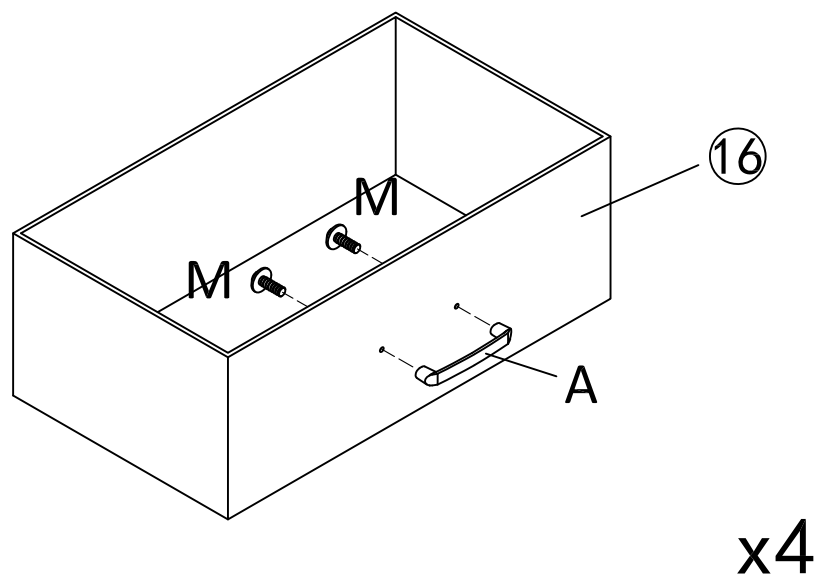
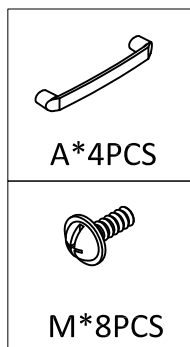
Attach plate ③ to step 11 and tighten with screw N.

STEP 13



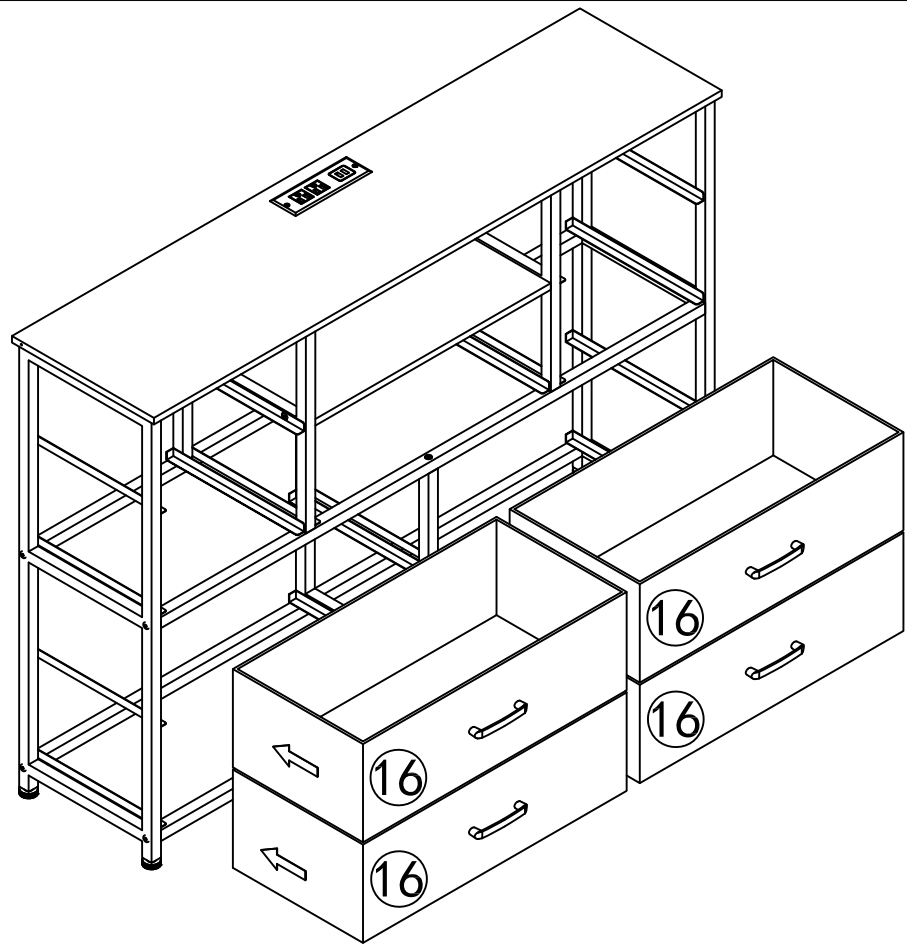
Open the fabric drawer ①⑥ and place the ①⑦ base plate into the

STEP 14



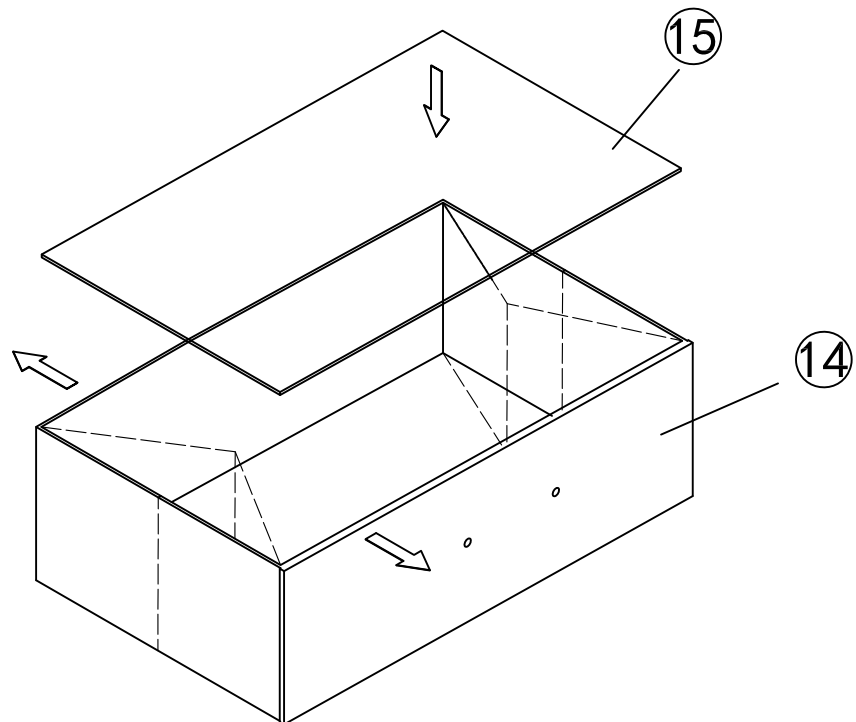
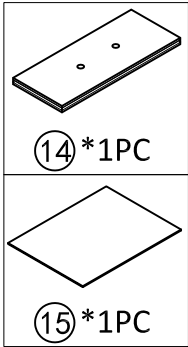
Attach drawer pull A to fabric drawer ①⑥ and tighten with screw M

STEP 15



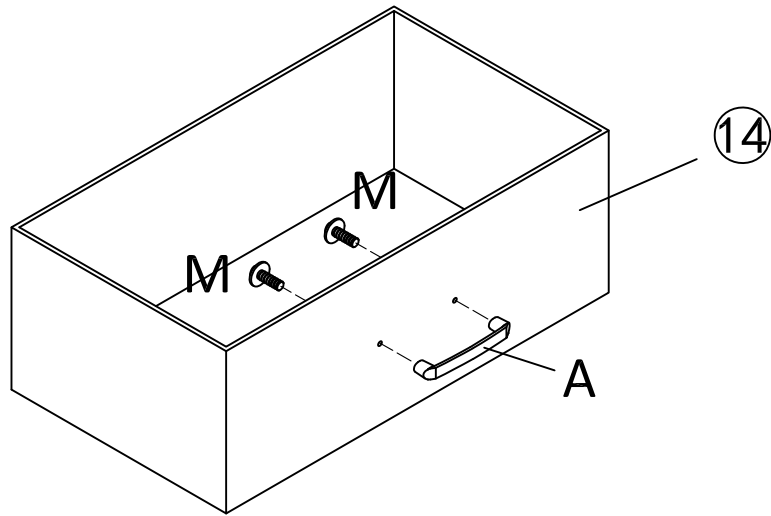
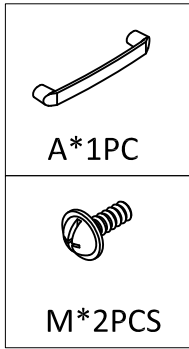
Place the fabric drawer ⑩ into the holder in order.

STEP 16



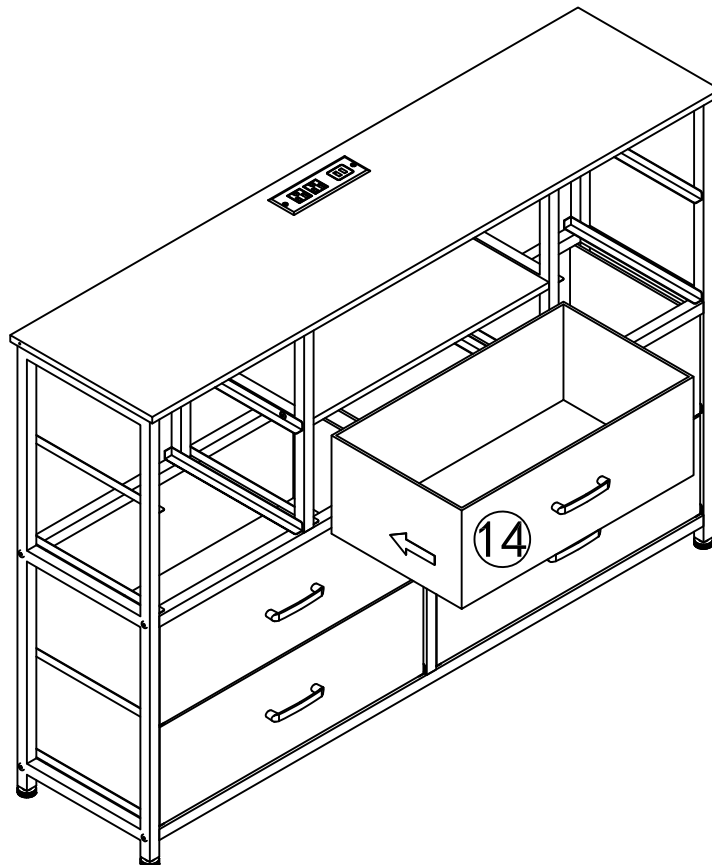
Open the fabric drawer ⑭ and place the ⑮ base plate into the

STEP 17



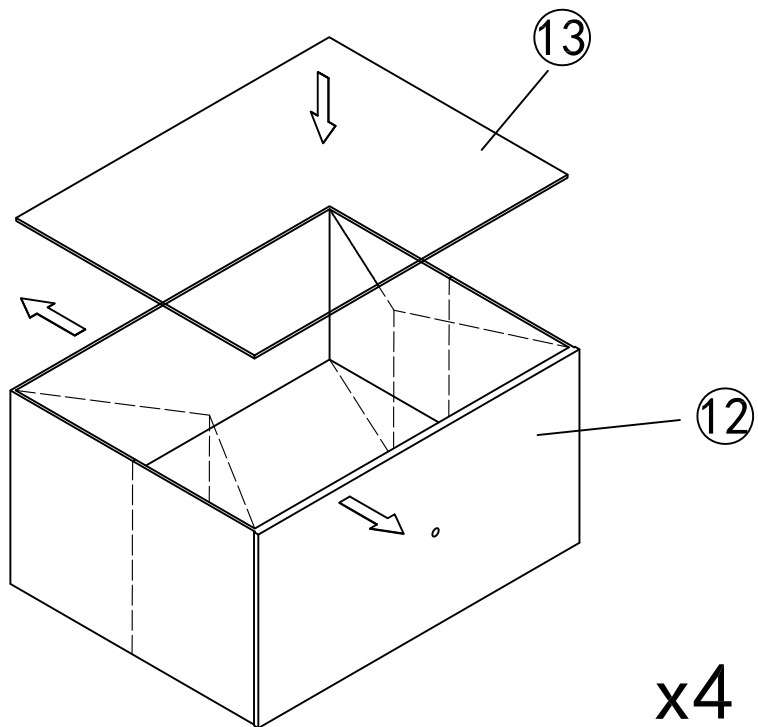
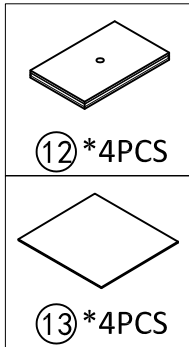
Attach drawer pull A to fabric drawer ⑭ and tighten with screw M

STEP 18



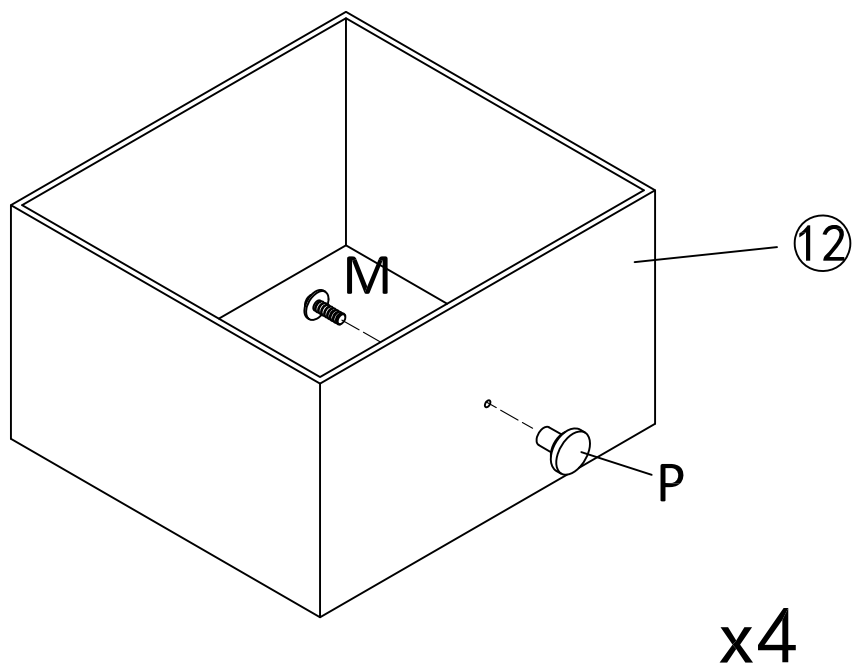
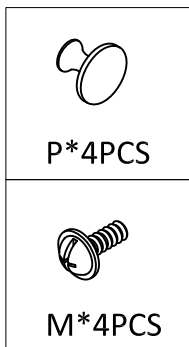
Place the fabric drawer ⑭ into the holder in order.

STEP 19



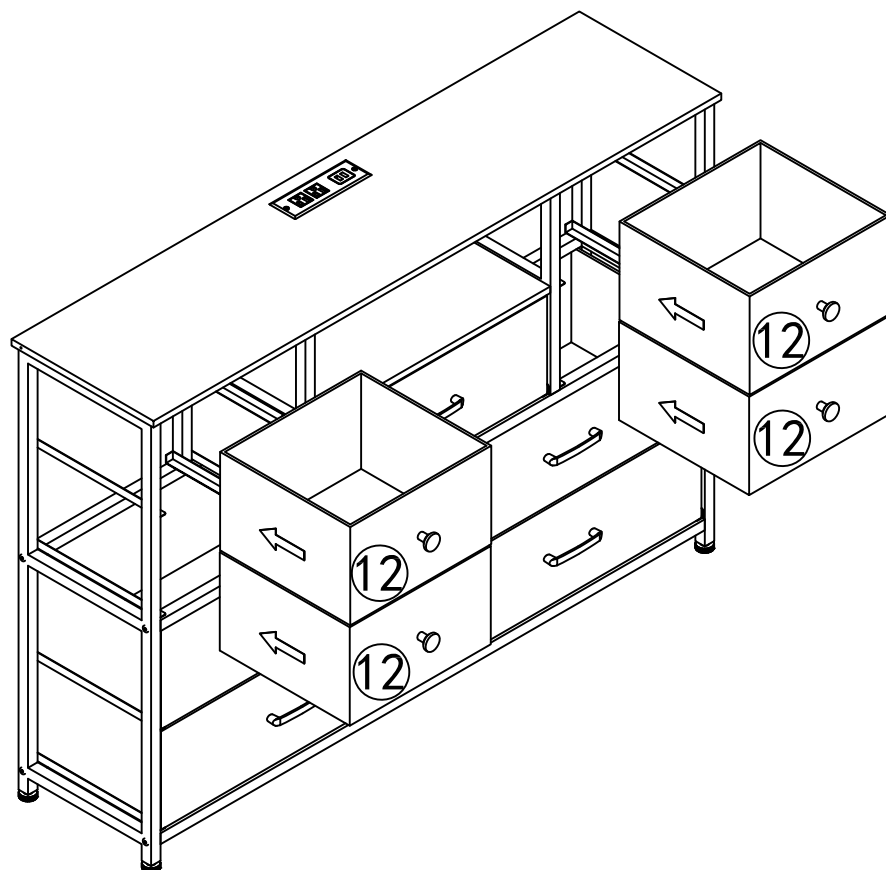
Open the fabric drawer ⑫ and place the ⑬ base plate into the

STEP 20



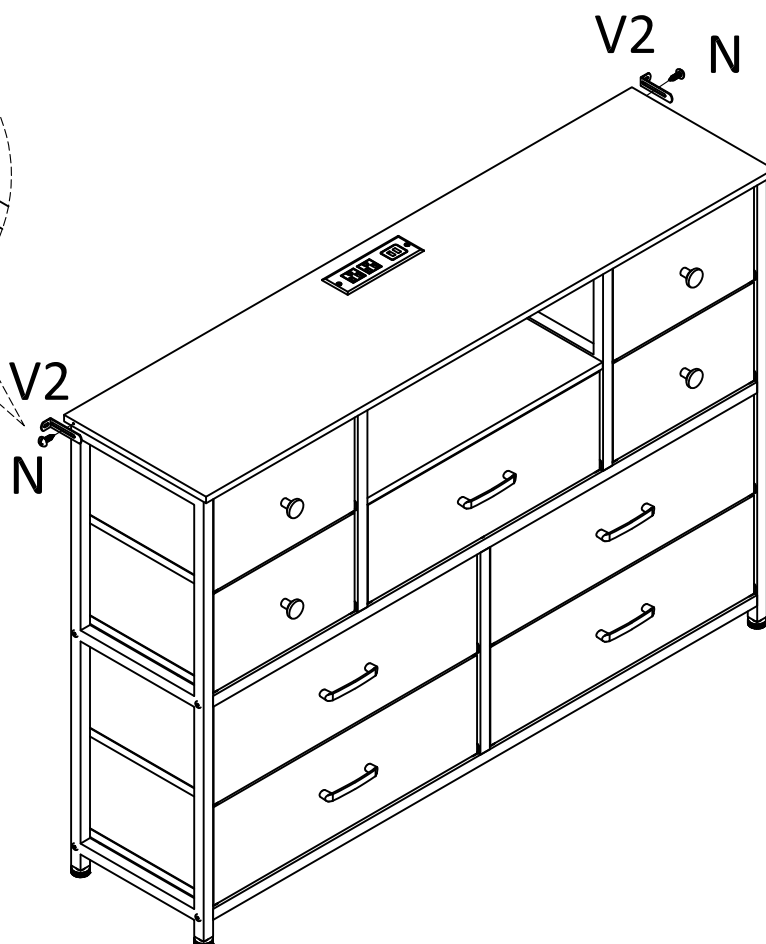
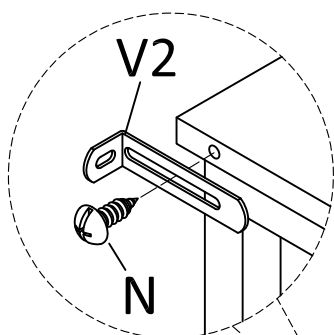
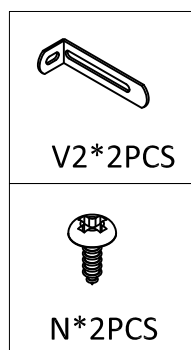
Attach drawer pull P to fabric drawer ⑫ and tighten with screw M

STEP 21



Place the fabric drawer ⑫ into the holder in order.

STEP 22

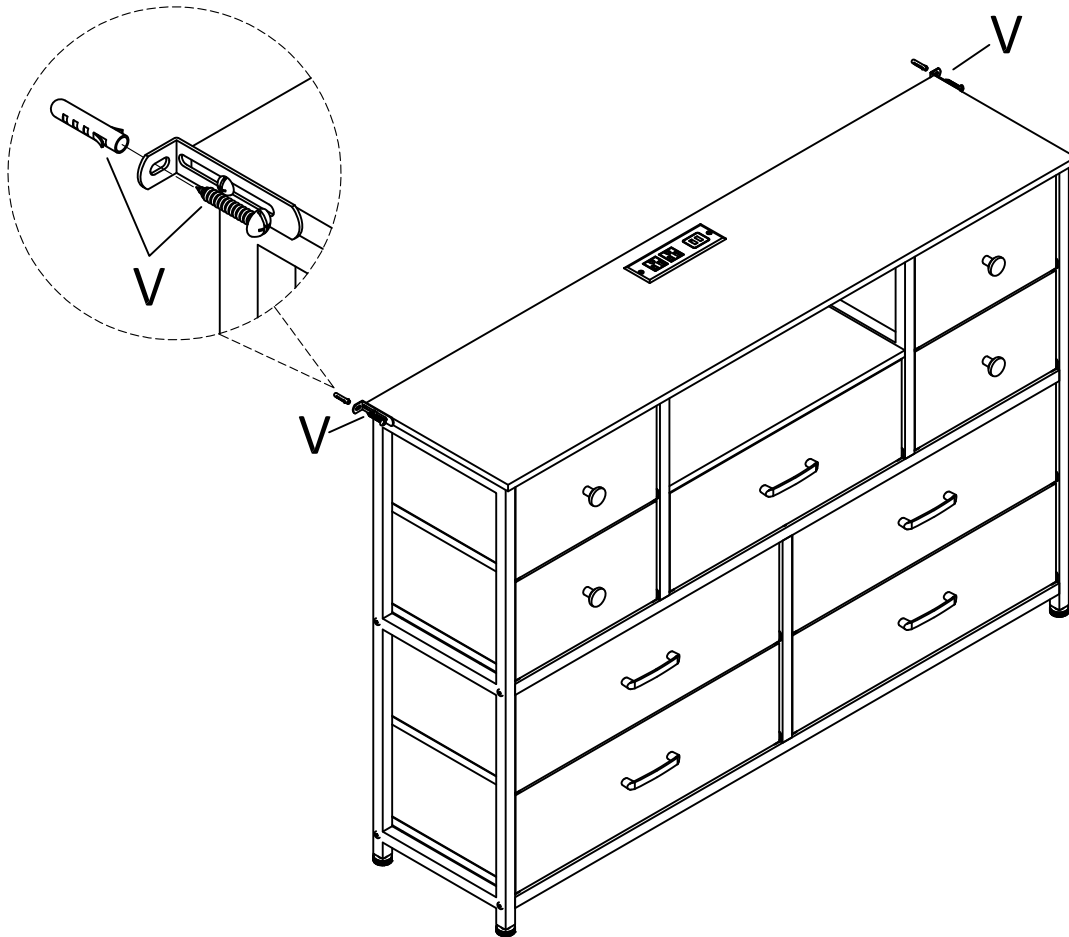


Attach the anti-tipping device V2 to the ⑫ plate and tighten it with screws N.

STEP 23



V*2PCS



Drill holes in the wall with an electric drill, put the expansion adhesive particles V into the wall, and then fix and tighten them with screws.