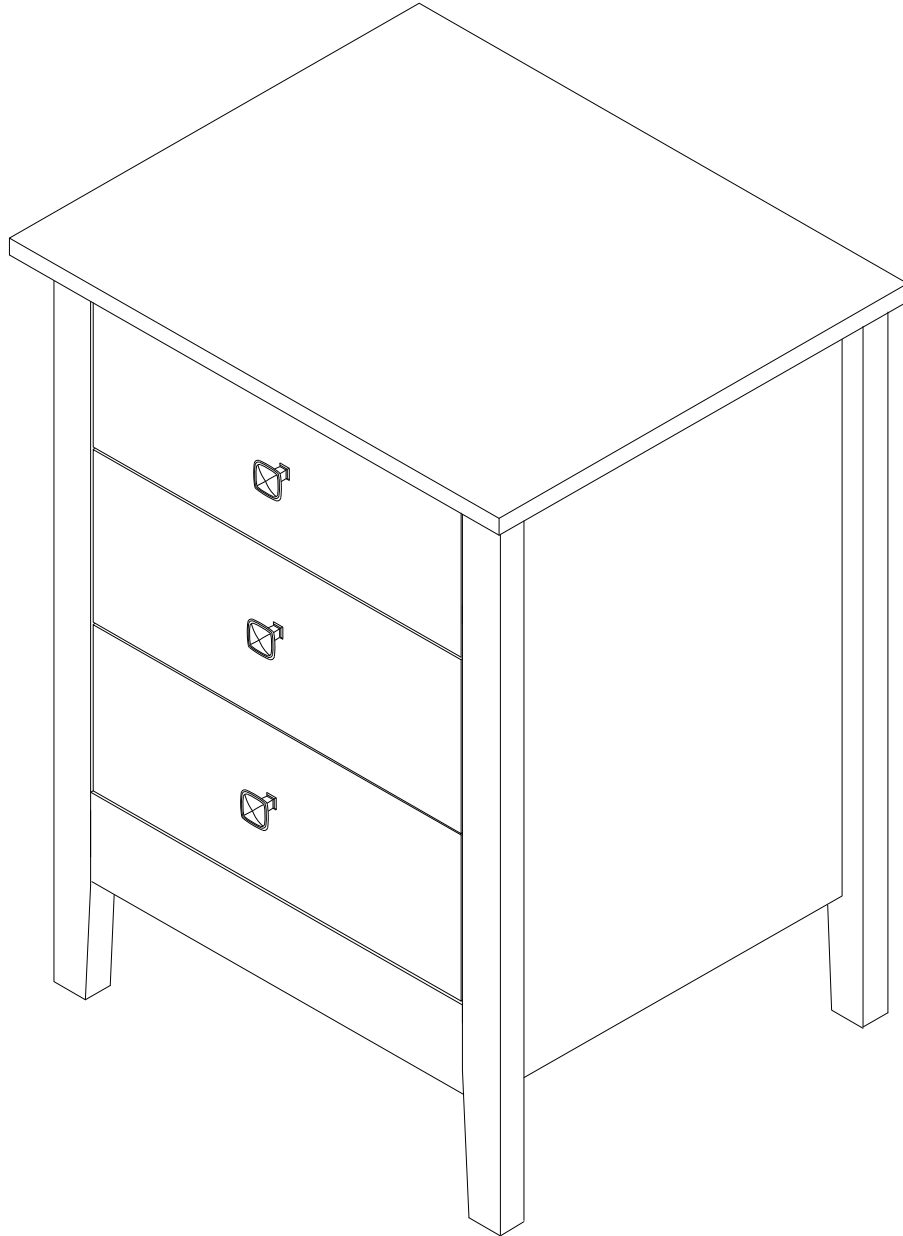


INSTRUCTION MANUAL



x2

THIS INSTRUCTION BOOKLET CONTAINS IMPORTANT INFORMATION. PLEASE READ AND KEEP FOR FUTURE REFERENCE

**We stand behind we sell. If you are not satisfied with your purchase,
you can return it for a replacement or refund.**

For any further question don` t hesitate to contact us.

CONTACT US !

Do Not return this product

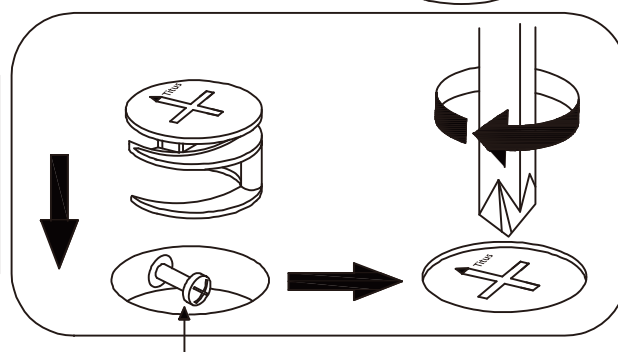
Contact our friendly customer service team first for help.

SPECIAL TIPS FOR FITTING CAM-LOCKS AND QUICKFIT

**WHEN FITTING CAMLOCK
ENSURE STARTING POSITION IS CORRECT
BEFORE YOU INSERT CONNECTING QUICKFIT
TURN CLOCKWISE UNTIL SECURE**

CORRECT **WRONG**

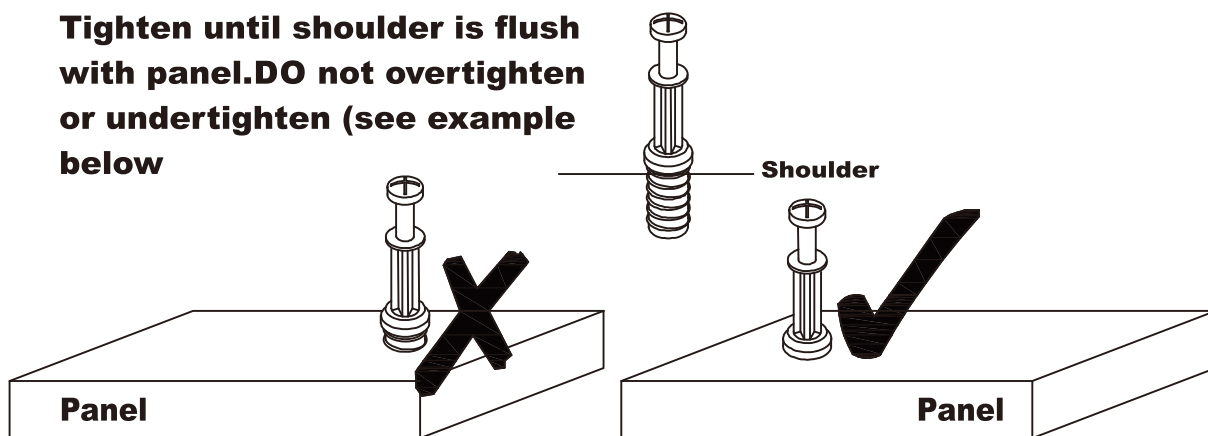
CAM-LOCK



Quickfit head needs to be in centre

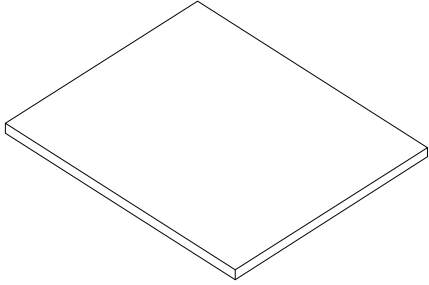
QUICKFIT

Tighten until shoulder is flush with panel. DO not overtighten or undertighten (see example below)



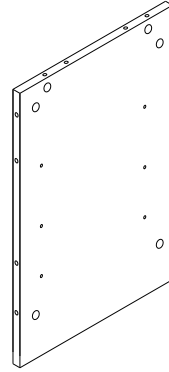
BOARD IDENTIFICATION

1



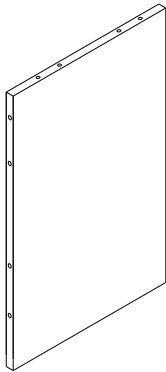
2 PCS

3



2 PCS

4



2 PCS

5



2 PCS

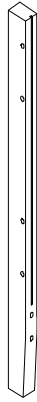
6



2 PCS

BOARD IDENTIFICATION

7



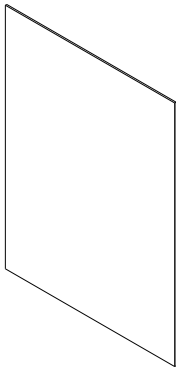
2 PCS

8



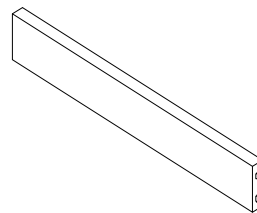
2 PCS

9



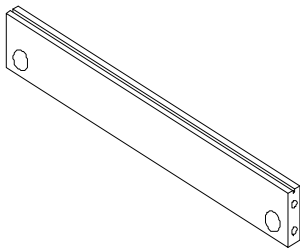
2 PCS

10



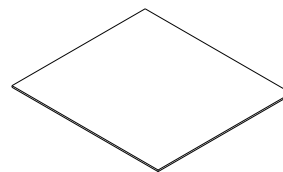
2 PCS

11



2 PCS

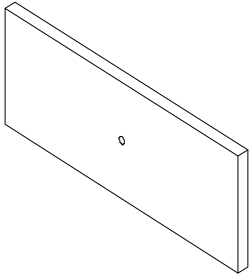
12



6 PCS

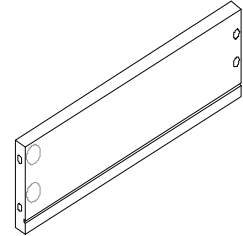
BOARD IDENTIFICATION

13



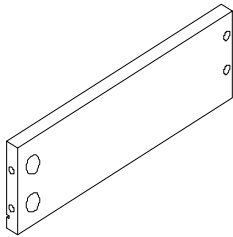
6PCS

14



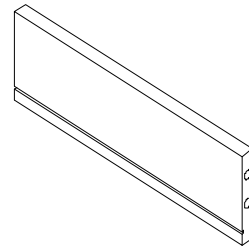
6PCS

15



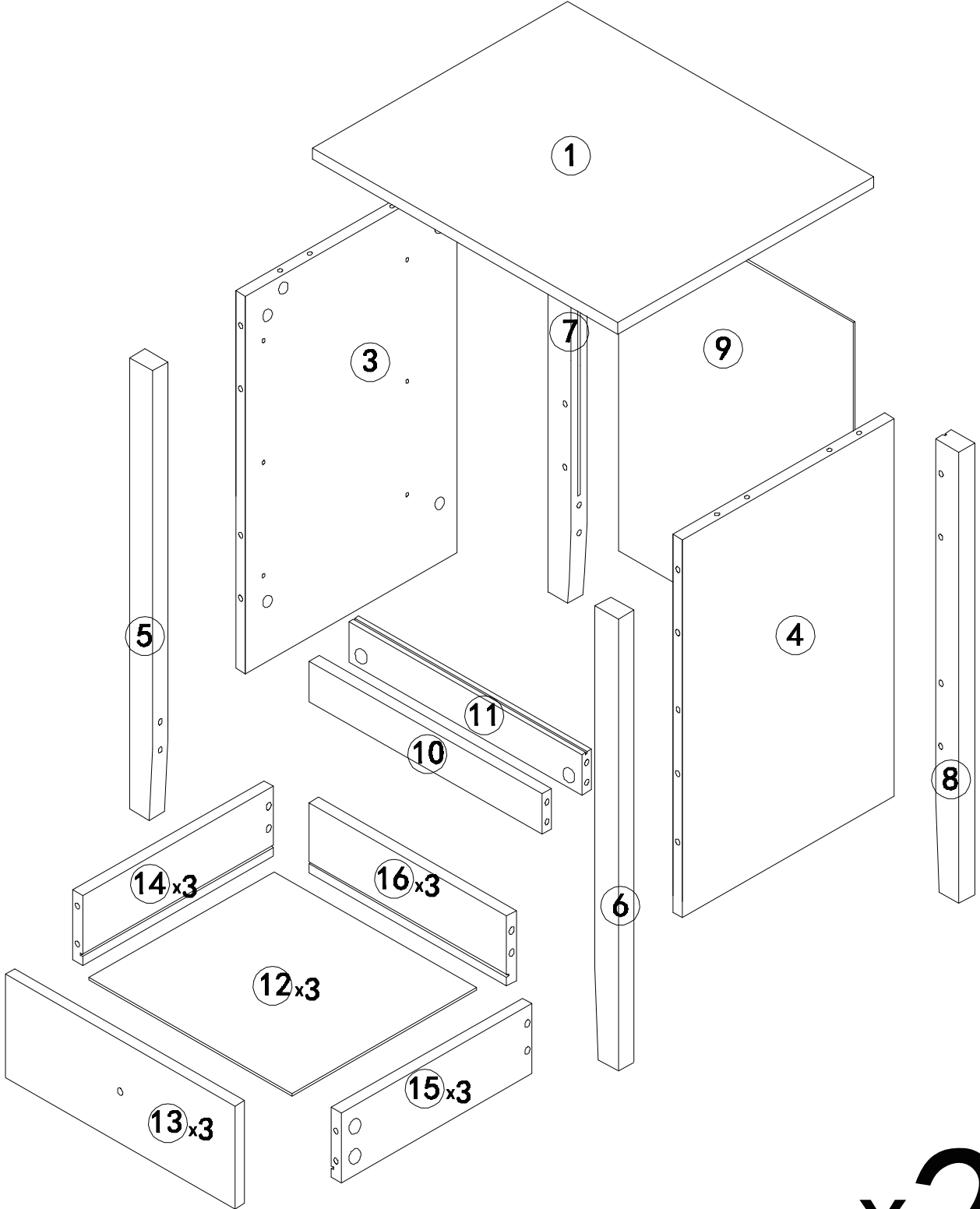
6PCS

16



6PCS

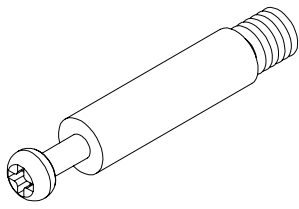
BOARD IDENTIFICATION



x2

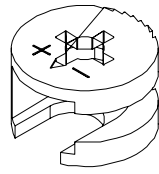
PART LIST

A



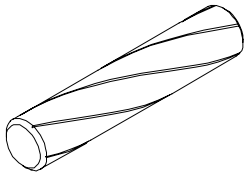
56PCS

B



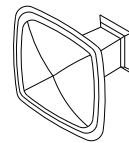
56PCS

C



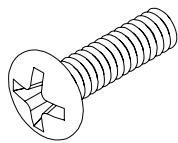
32PCS

D



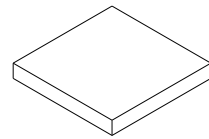
6PCS

E



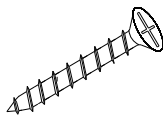
6PCS

F



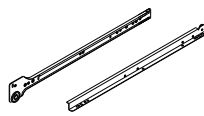
8PCS

G



24PCS

H



12PCS

I



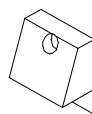
48PCS

J



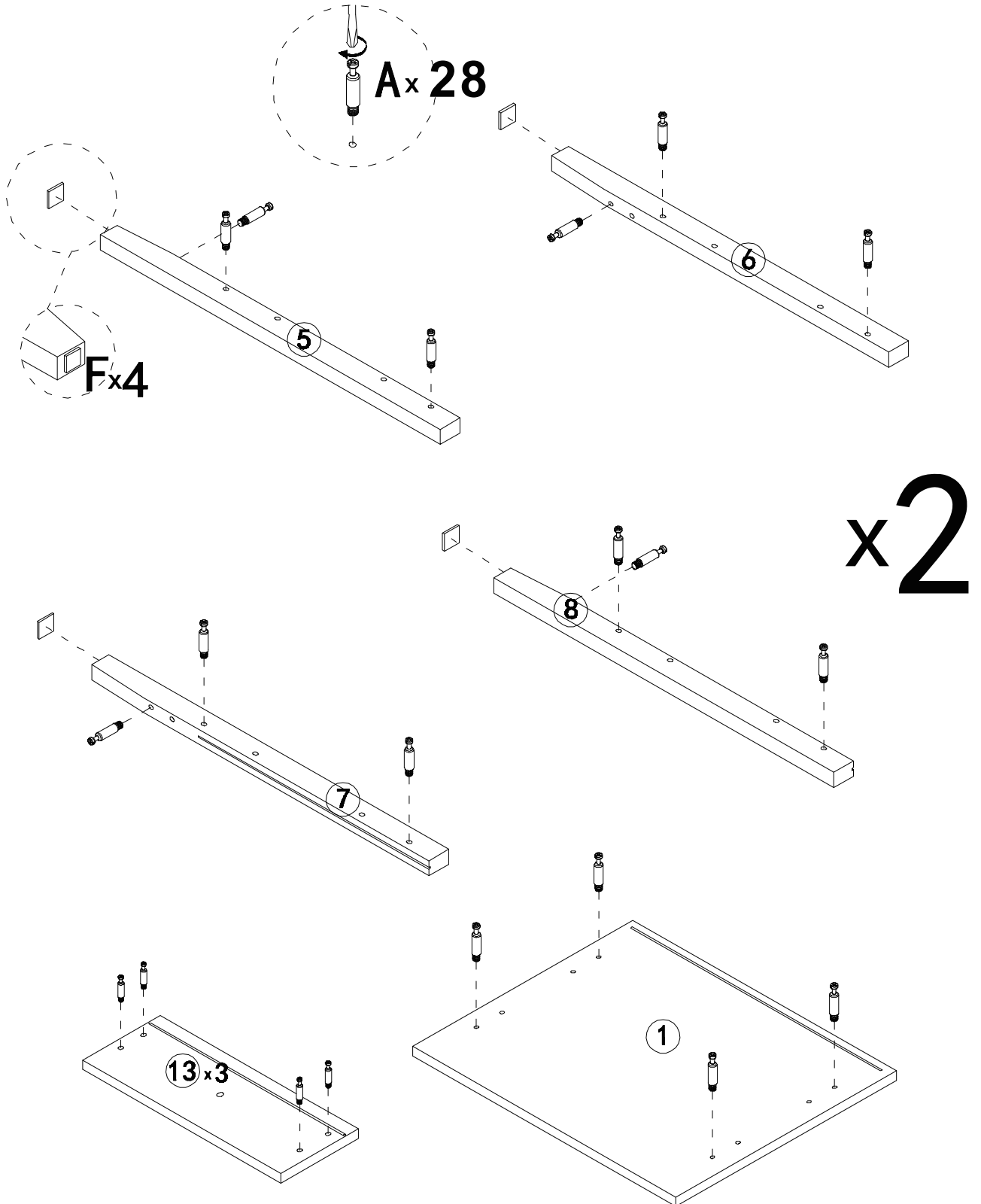
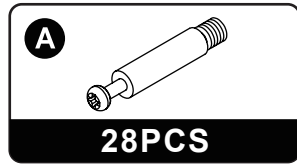
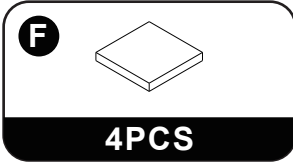
8PCS

K

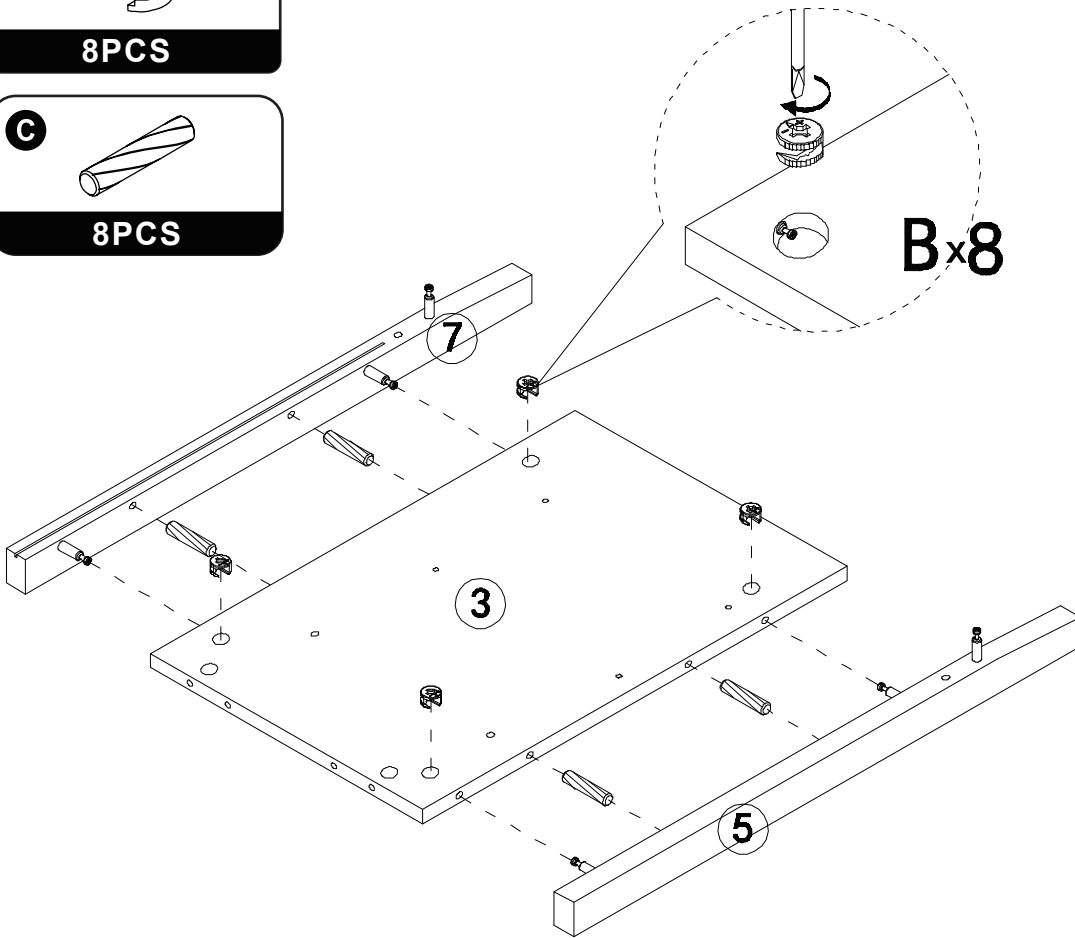
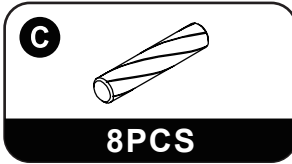


8PCS

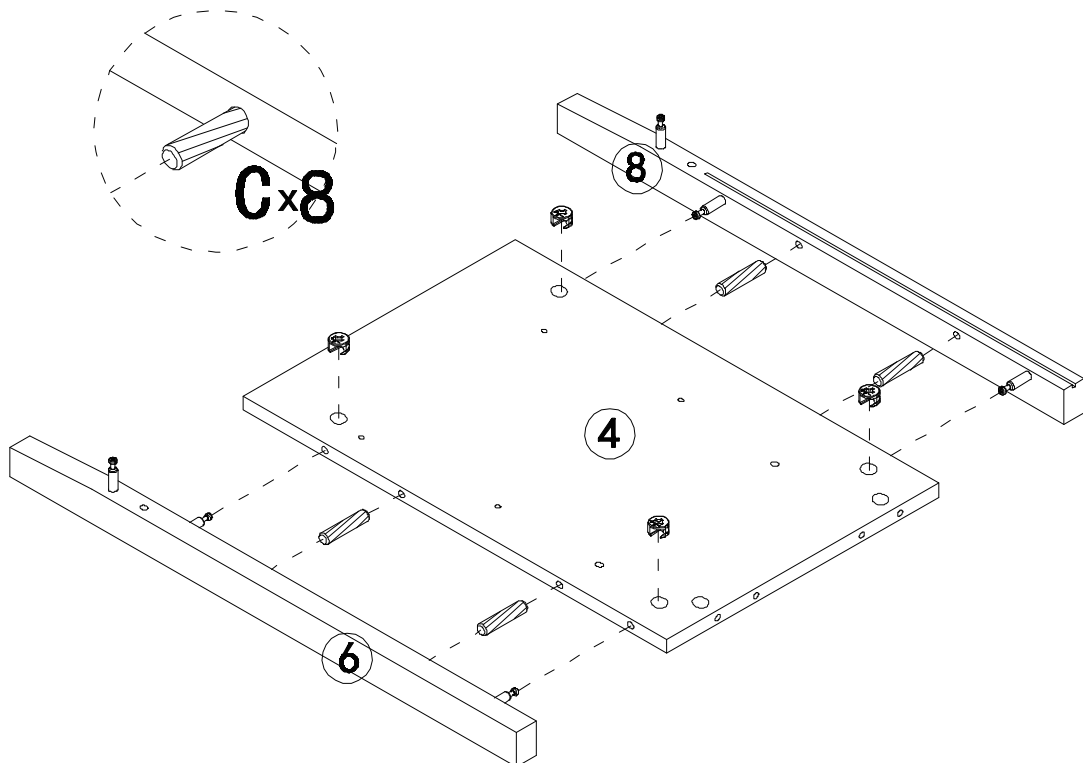
STEP 1



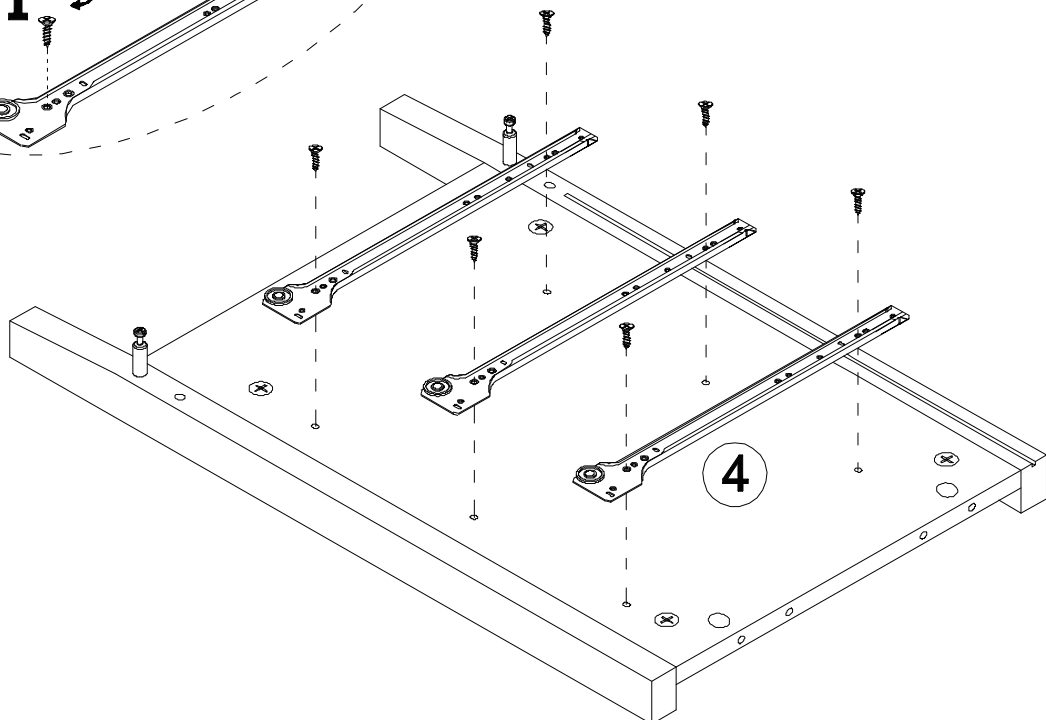
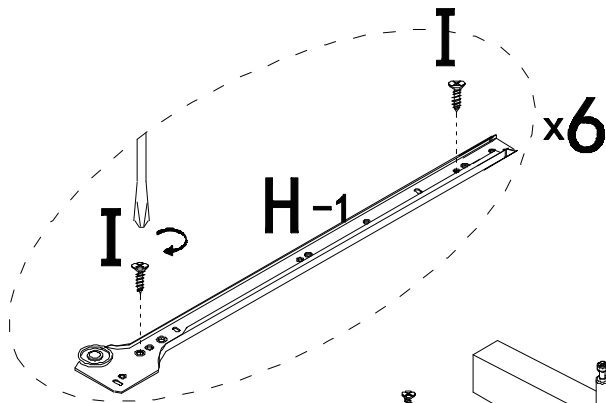
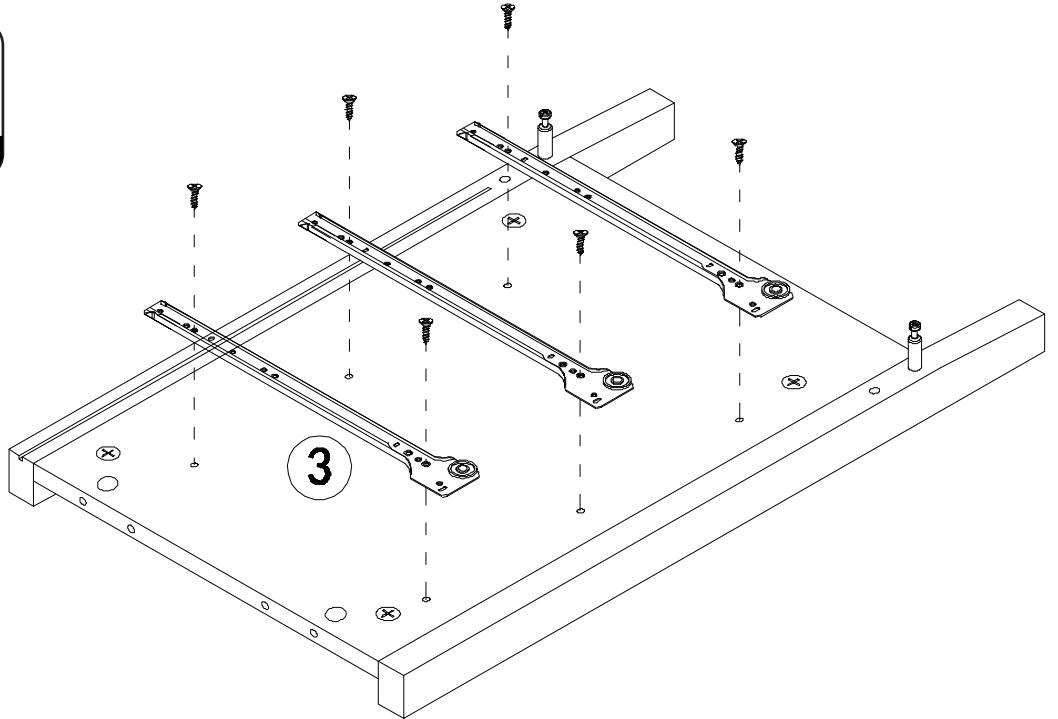
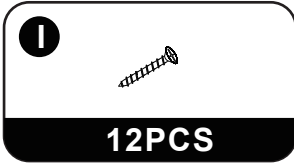
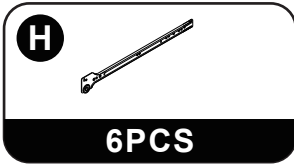
STEP 2



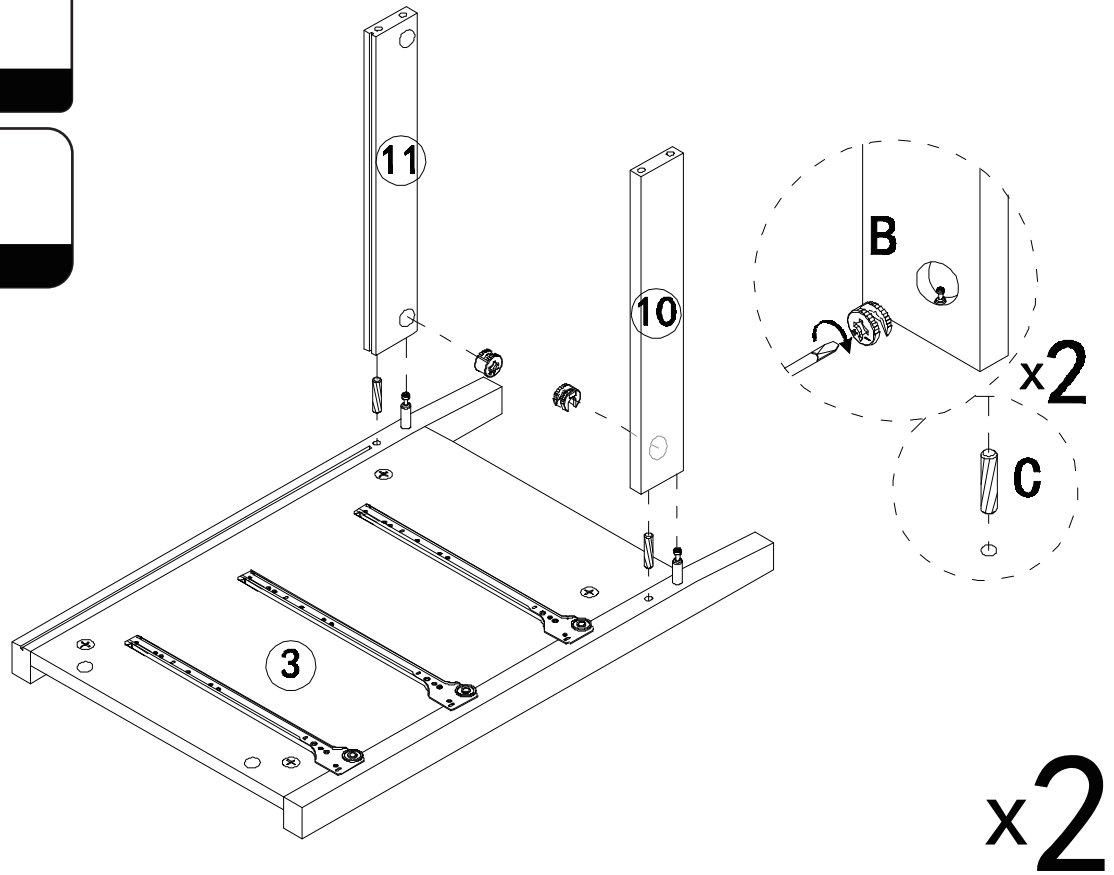
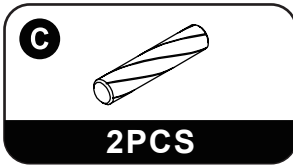
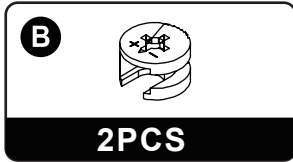
x2



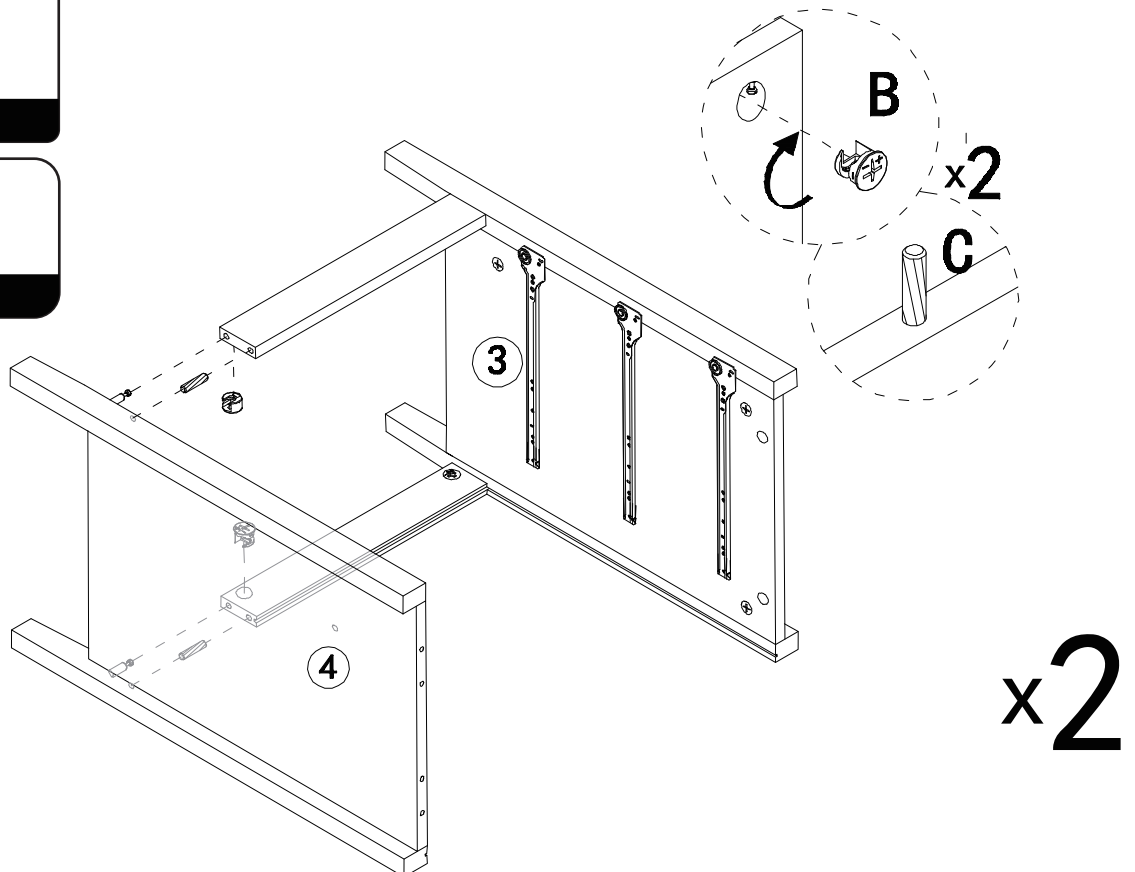
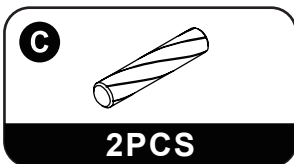
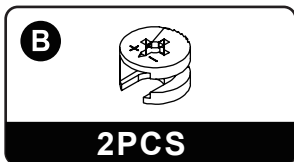
STEP 3



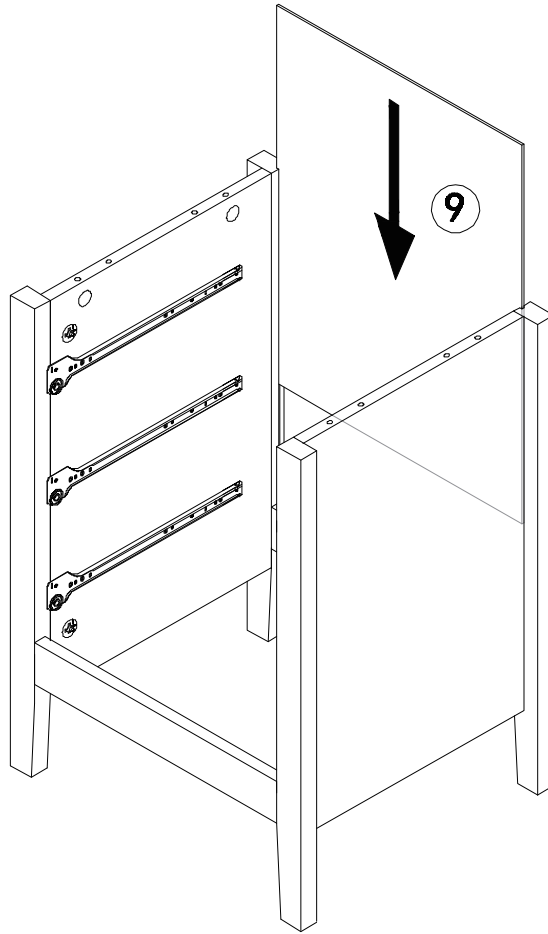
STEP 4



STEP 5

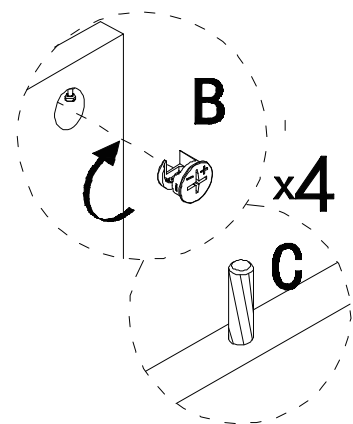
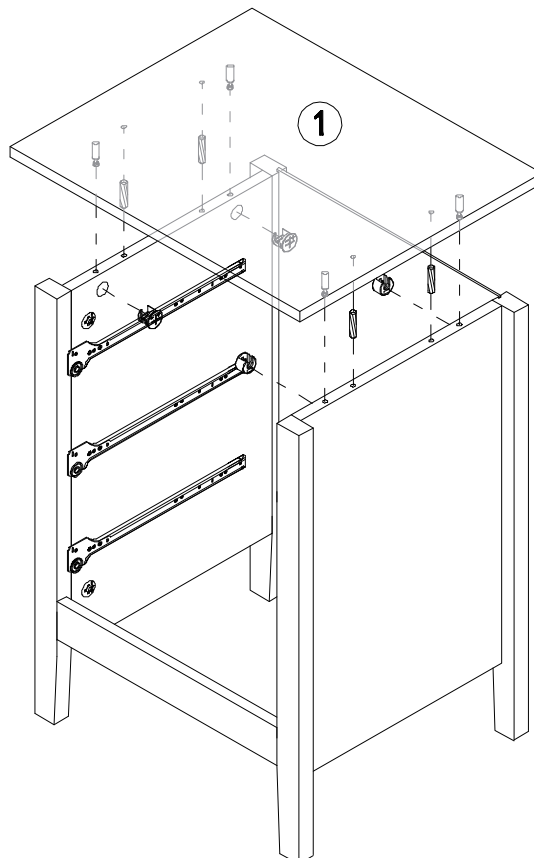
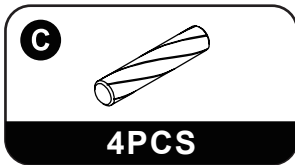
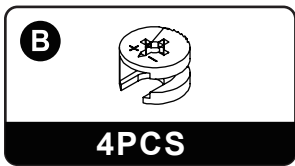


STEP 6



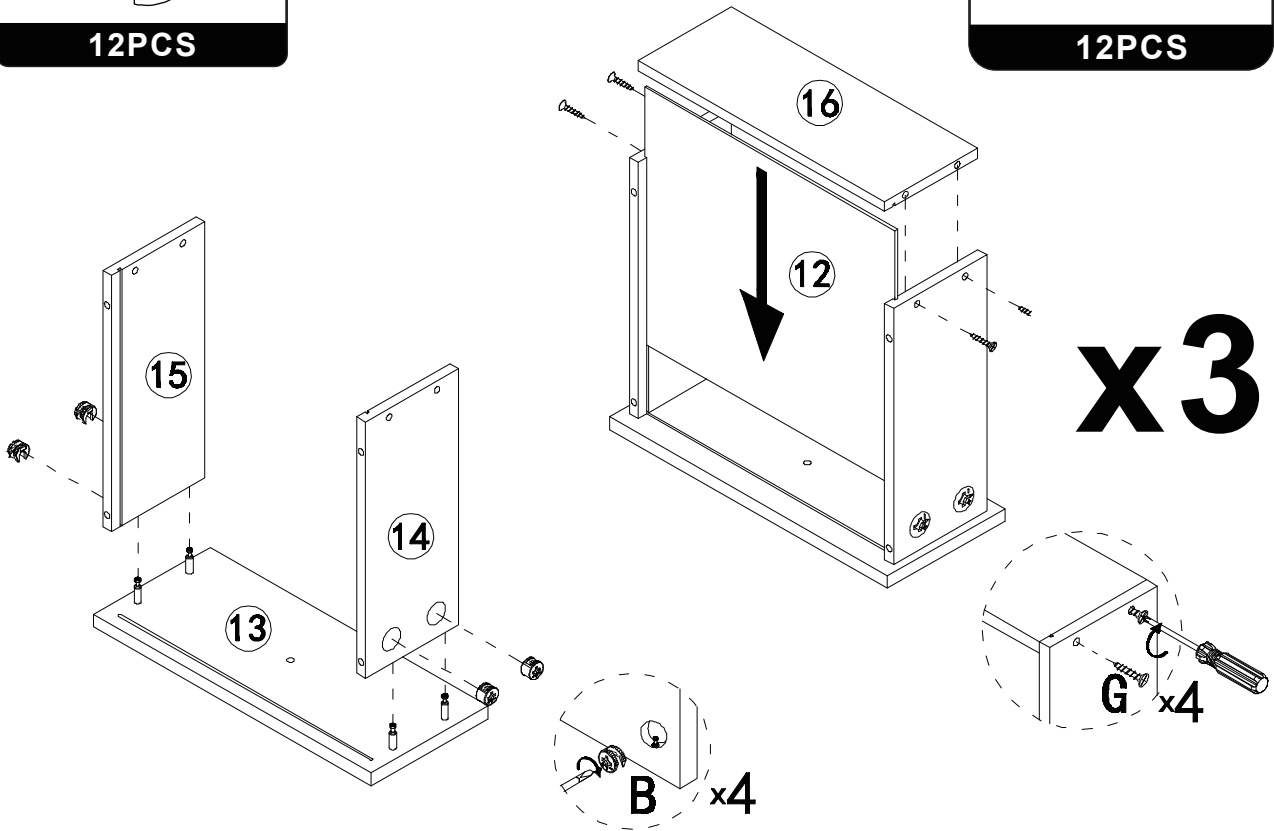
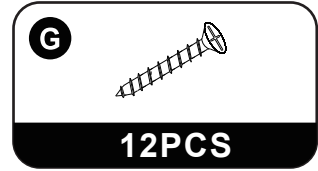
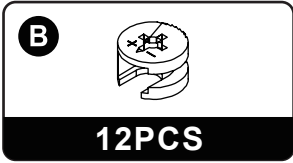
x2

STEP 7

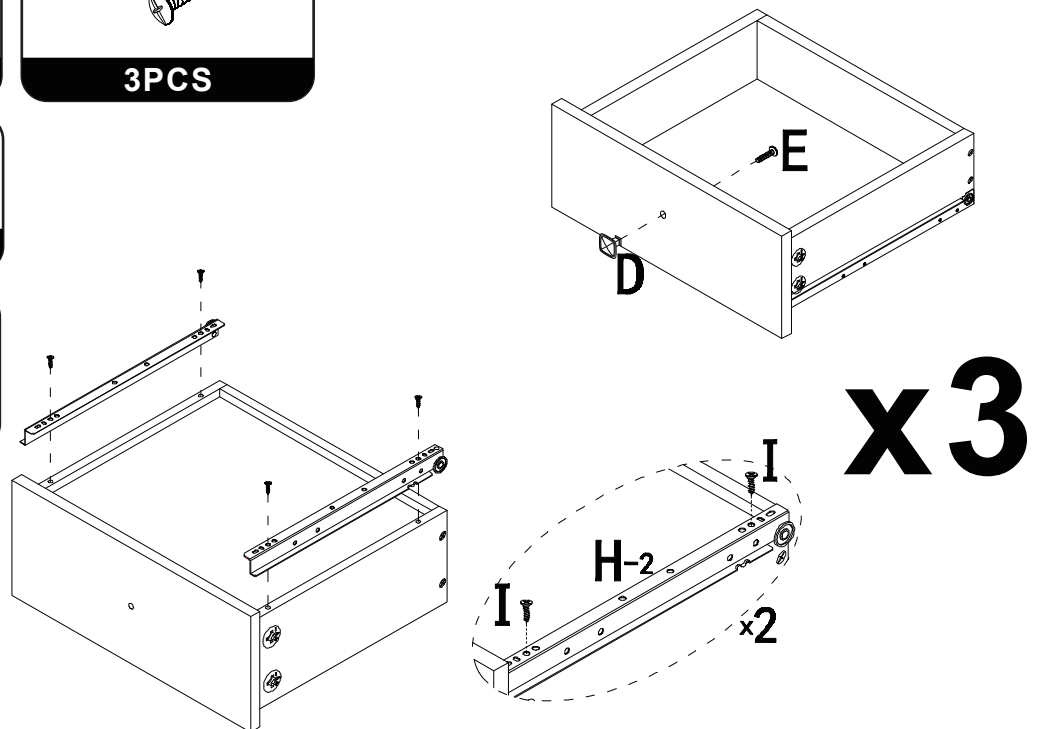
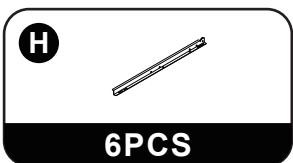
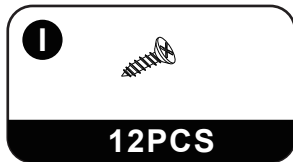
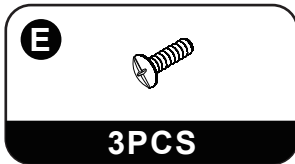
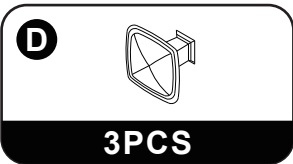


x2

STEP 8



STEP 9



STEP 10

J

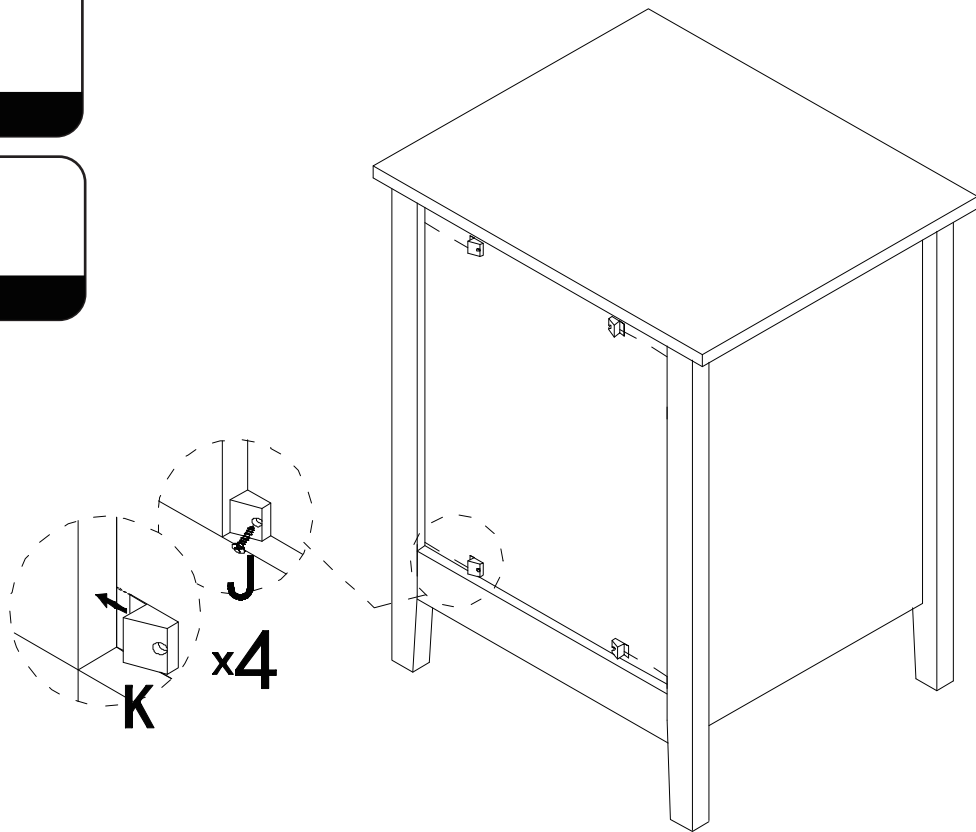


4PCS

K

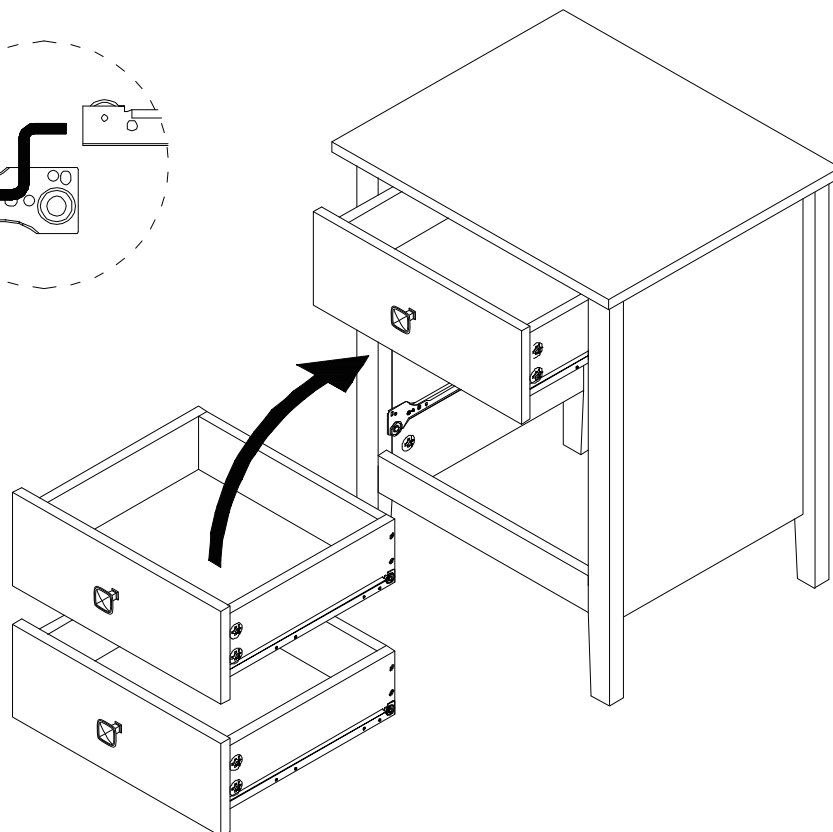
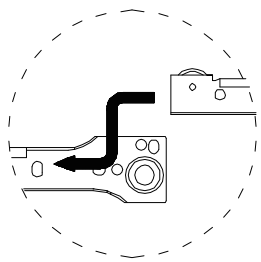


4PCS



x2

STEP 11



x2