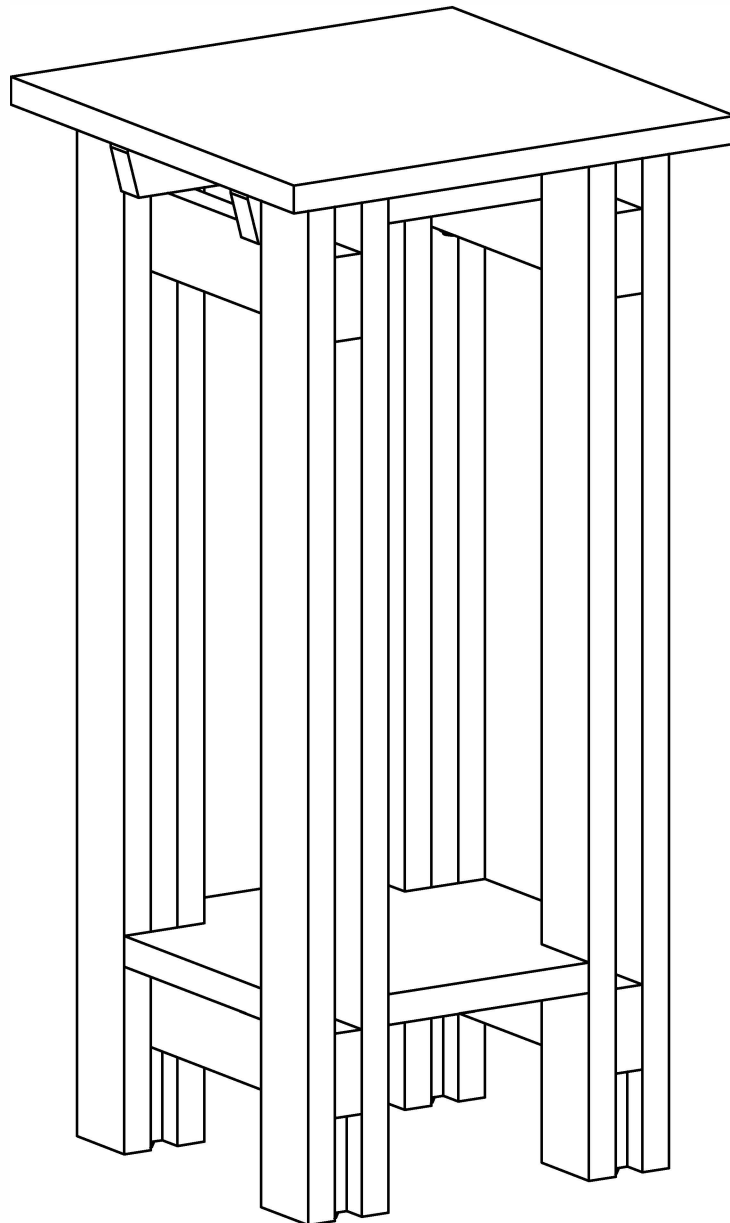


# **ASSEMBLY INSTRUCTIONS**

## **SOLID ACACIA ARCHITECTURAL PLANTSAND TABLE - DARK MAHOGANY / NATURE**



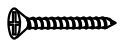


Place all parts on a clean and soft surface such as a rug or carpet to avoid scratching during assembly. Please follow all assembly instructions step by step. It is best to use a screwdriver as opposed to a drill during assembly to avoid over tightening or striping screws/bolts. Philips Head Screwdriver required for Assembly.



### **CUSTOMER SERVICE QUESTION & INFORMATION**

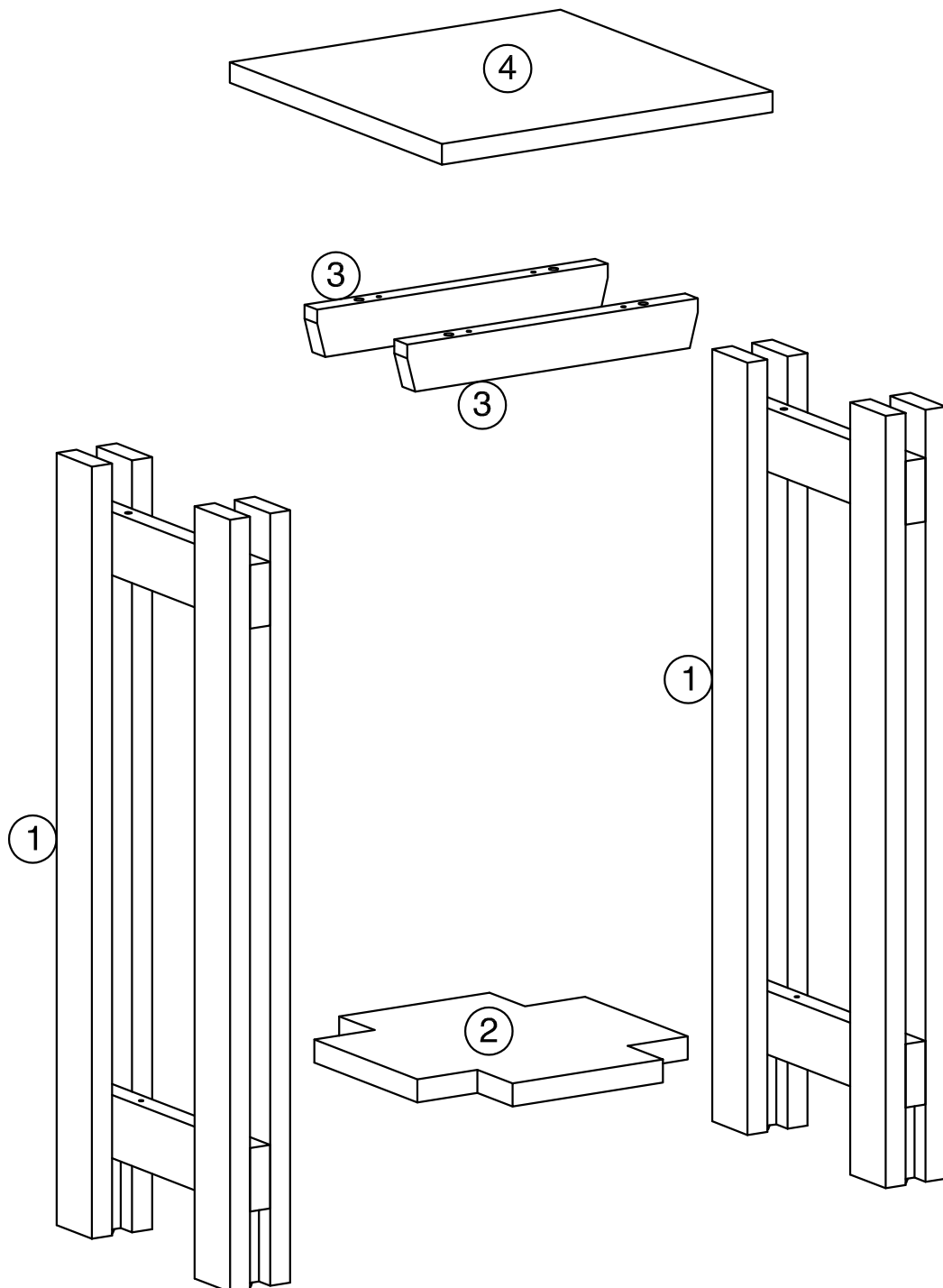
For missing hardware, damaged parts, or questions concerning assembly please contact below rather than your store or on-line provider. Replacement parts are usually available within 2-3 days.

### HARDWARE LIST:

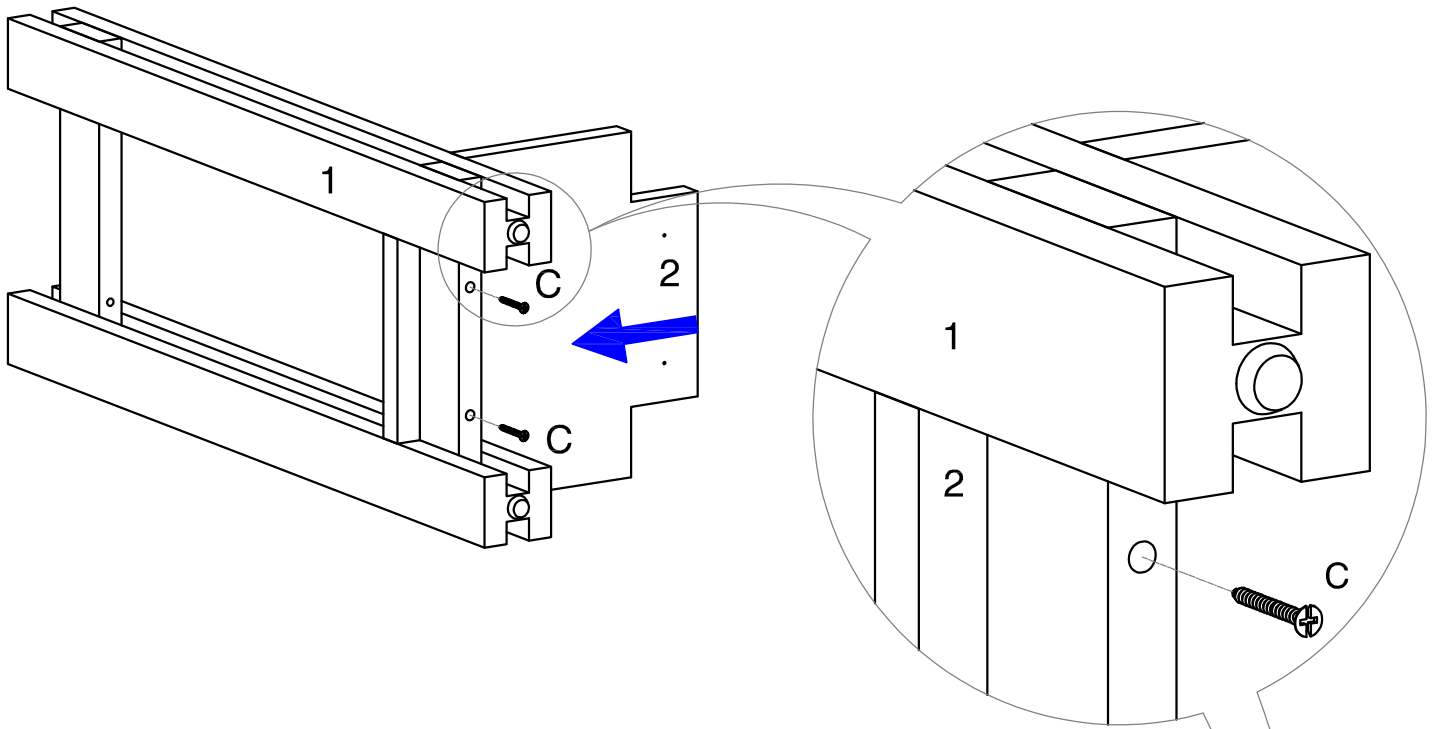
CODE	PICTURE	DESCRIPTION	QTY
A		BOLT 1/4x70MM	4
B		FLAT WASHER	4
C		4 X 35MM FLAT HEAD SCREW	8
D		WOOD DOWEL	4
E		WRENCH	1

### PARTS LIST:

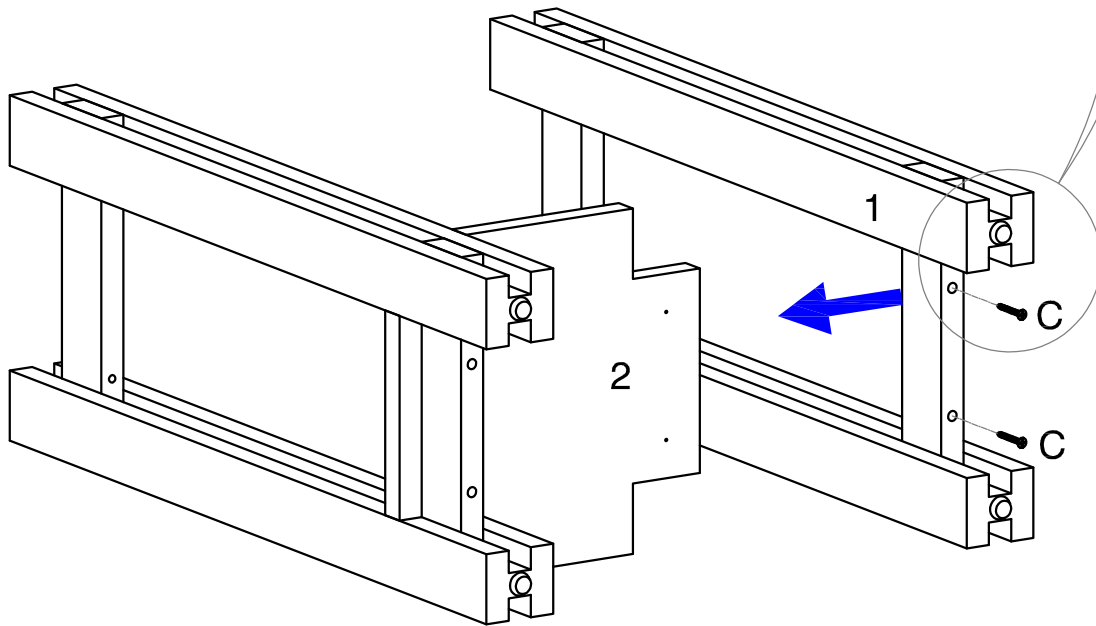
CODE	DESCRIPTION	QTY
1	LEGS	2
2	BOTTOM SHELF	1
3	TOP SUPPORT	2
4	TOP	1



**STEP 1**

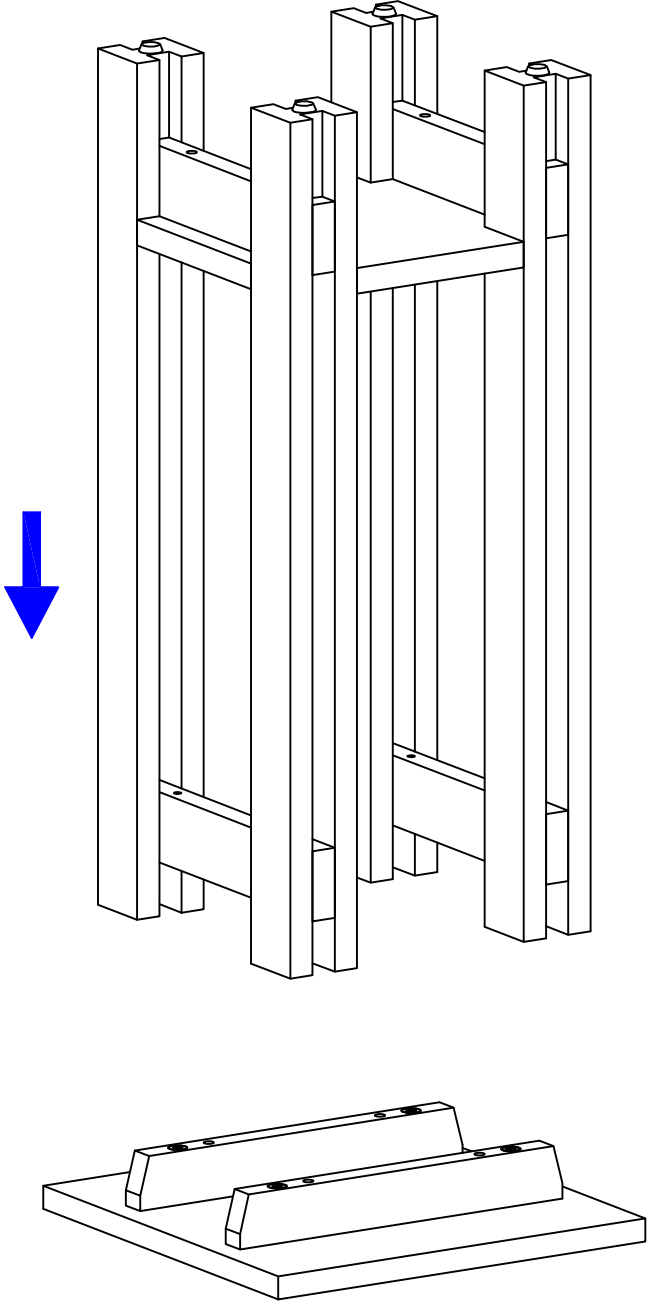
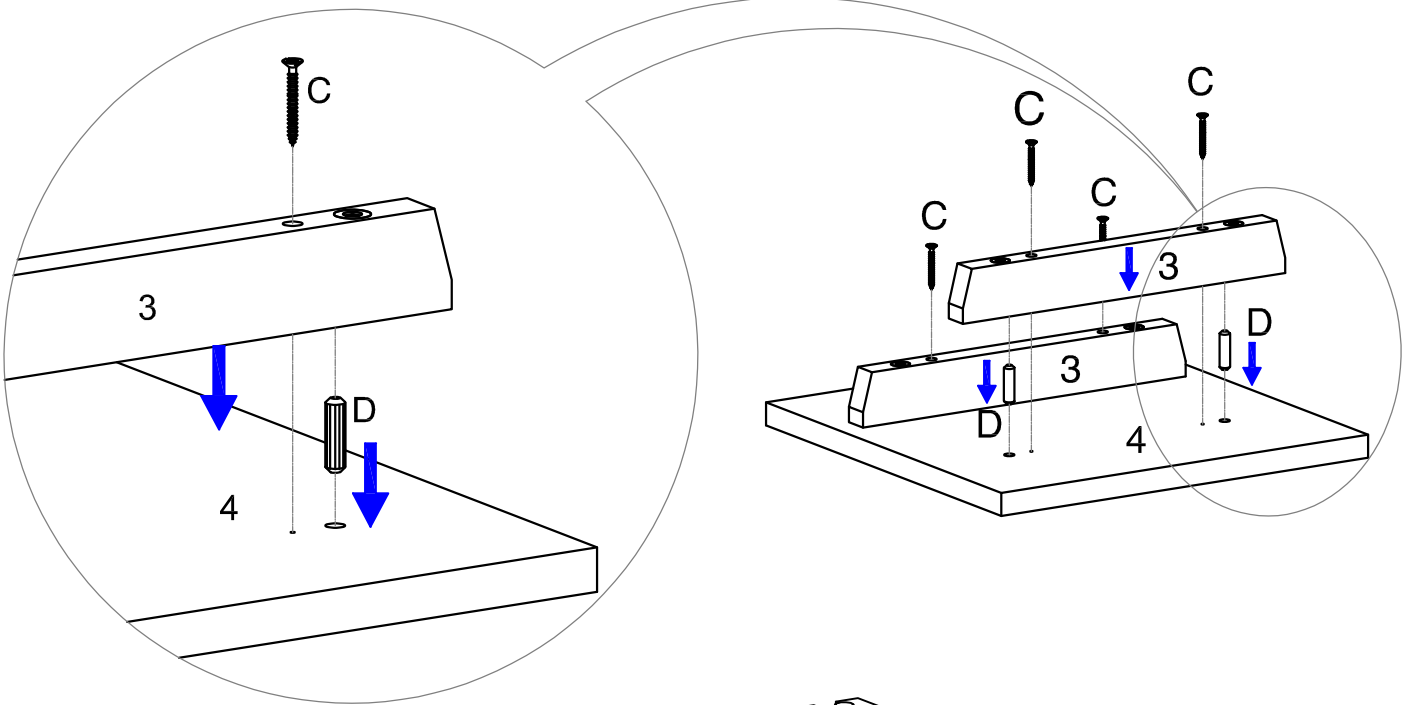


**STEP 2**

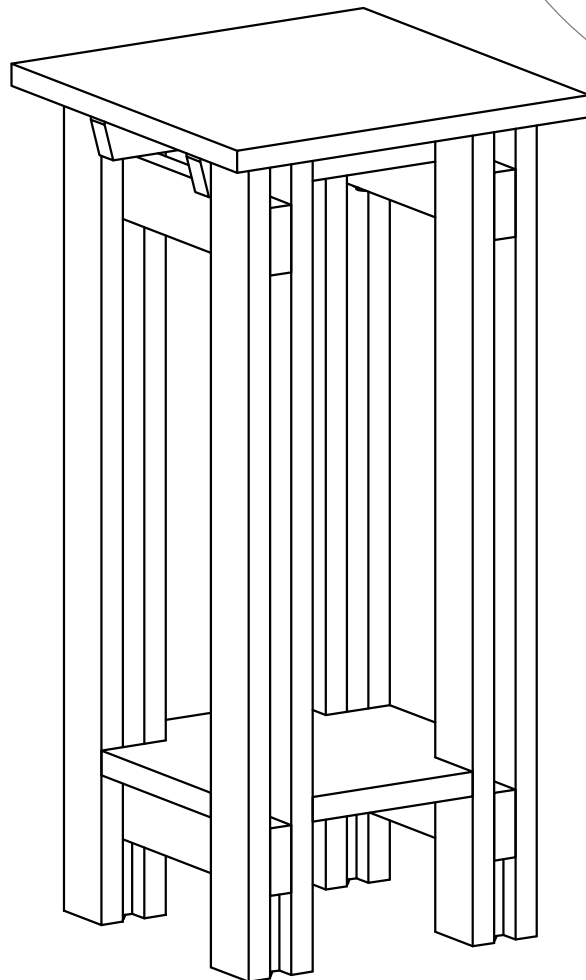
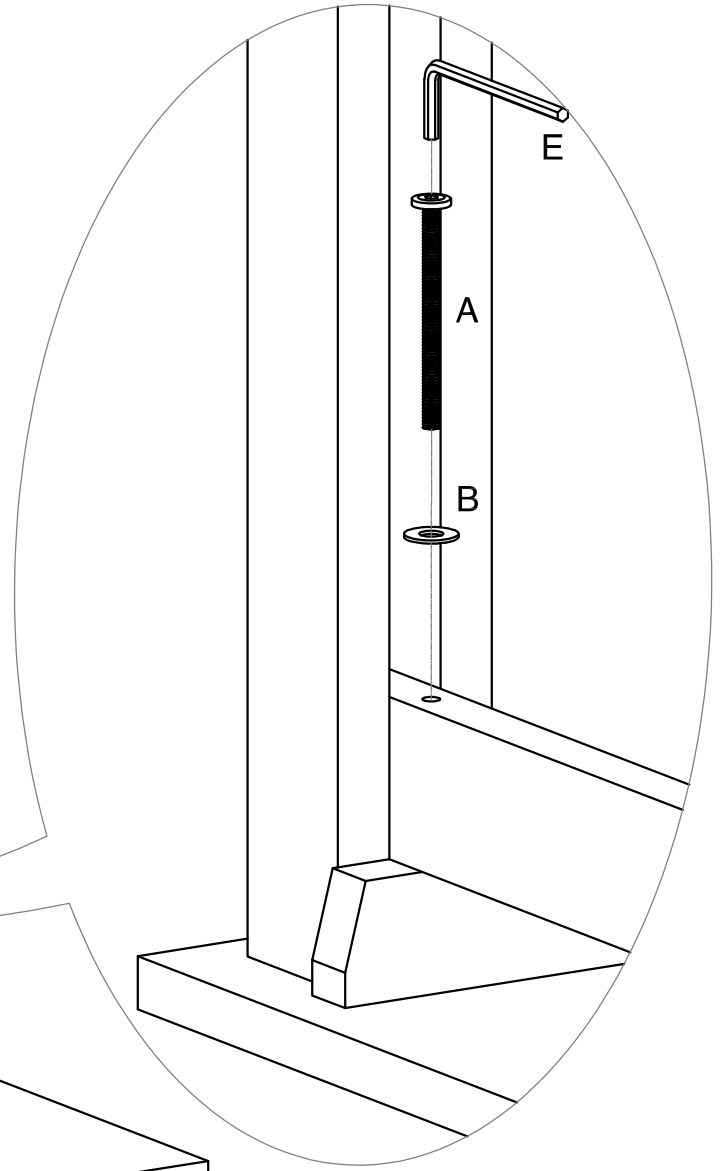
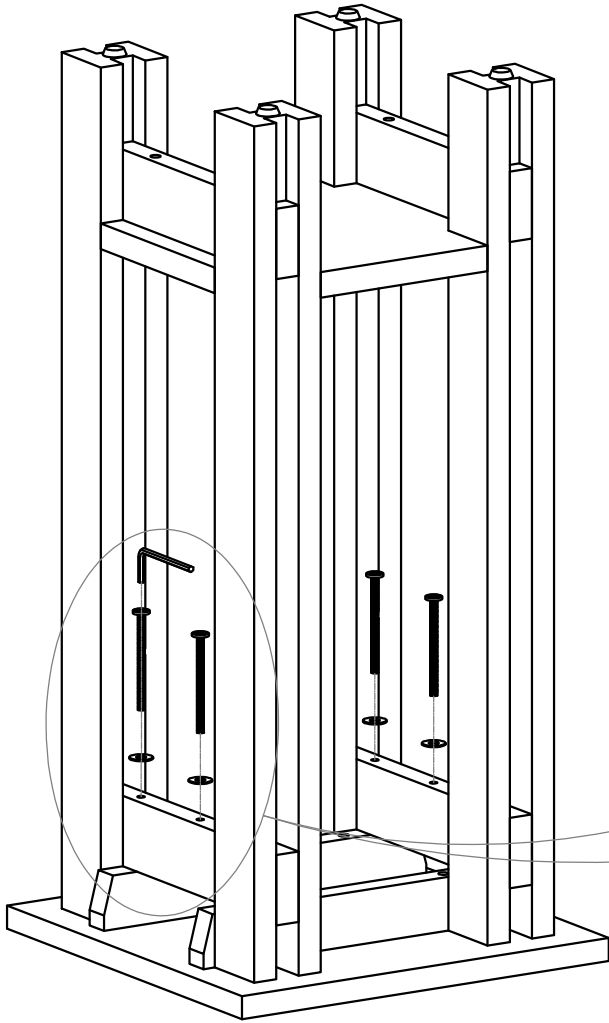


Notice: As you unpack and prepare for assembly, place the contents on a carpeted or padded area to protect them from damage.

STEP 3



**STEP 4**



Tips: Turn table upright on a level surface. Level the table and tighten all bolts with the Allen Wrench.