

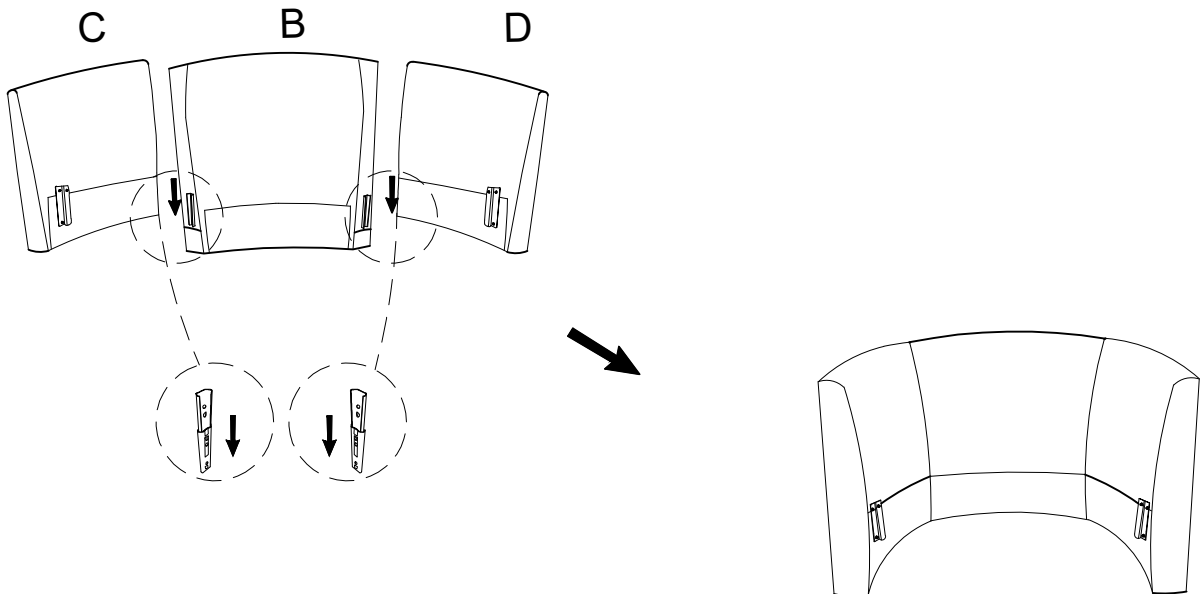
ASSEMBLY INSTRUCTIONS

SWIVEL CHAIR

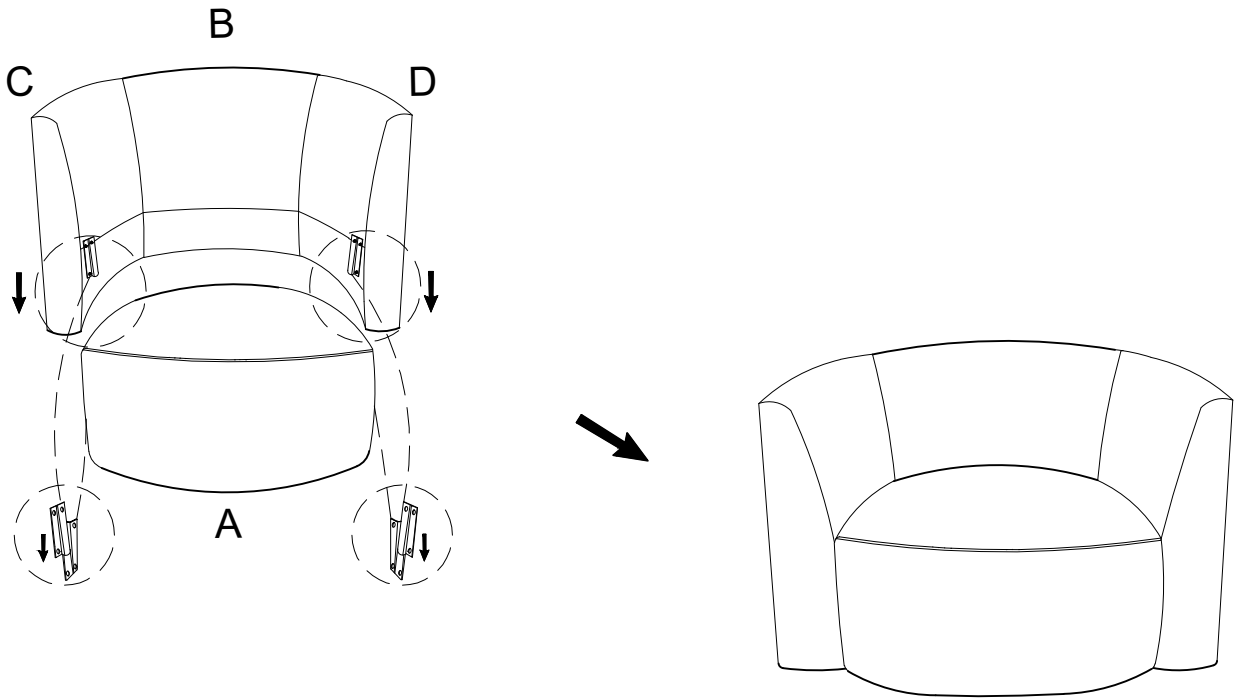
⚠ The hardware is placed in the box, please take out for assembly.
Note: Do not use power tools for assembly. Power tools increase the risk of over tightening which lead to splitting or cracking the wood.

PART	DRAWING	DESCRIPTION	QTY	PART	DRAWING	DESCRIPTION	QTY
A		Seat	1 PC	1		Metal Connector 3-2/4"×31/32"×1/8"	6 PC
B		Middle Back Rest	1 PC	2		Bolt Ø1/4"×31/32"	16 PC
C		LSF Arm Rest	1 PC	3		Spring Washer Ø1/4"	16 PC
D		RSF Arm Rest	1 PC	4		Flat Washer Ø1/4"×3/4"	16 PC
E		Swivel Plate	1 PC	5		Allen Key M4	1 PC
F		Back Cushion	1 PC				

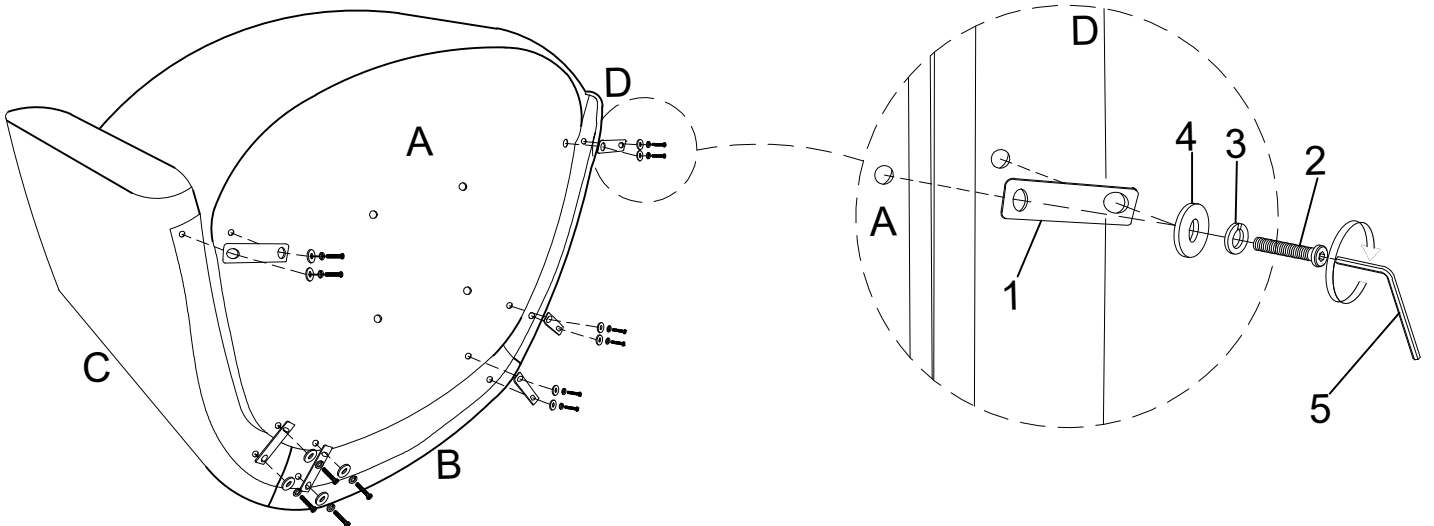
STEP 1:



STEP 2:

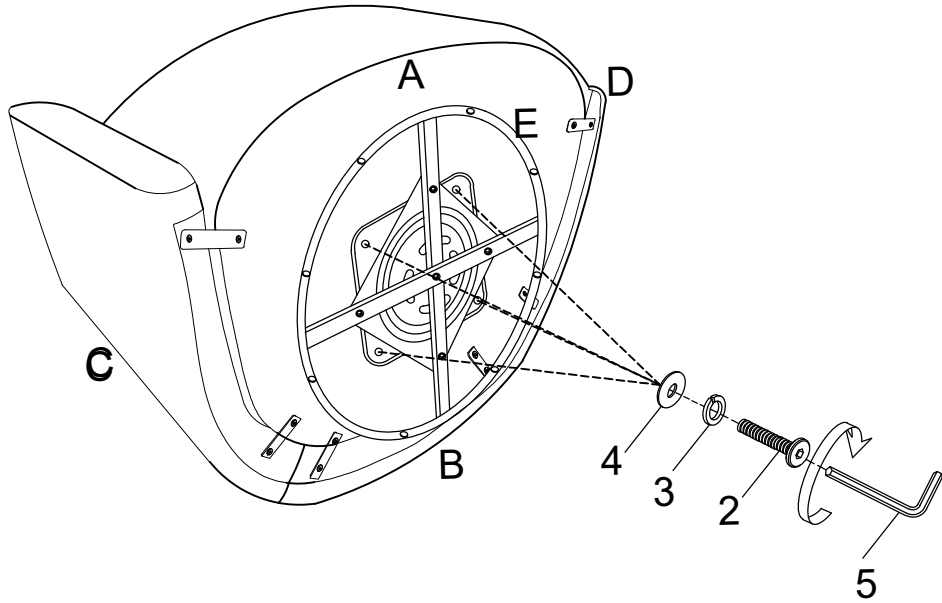


STEP 3:

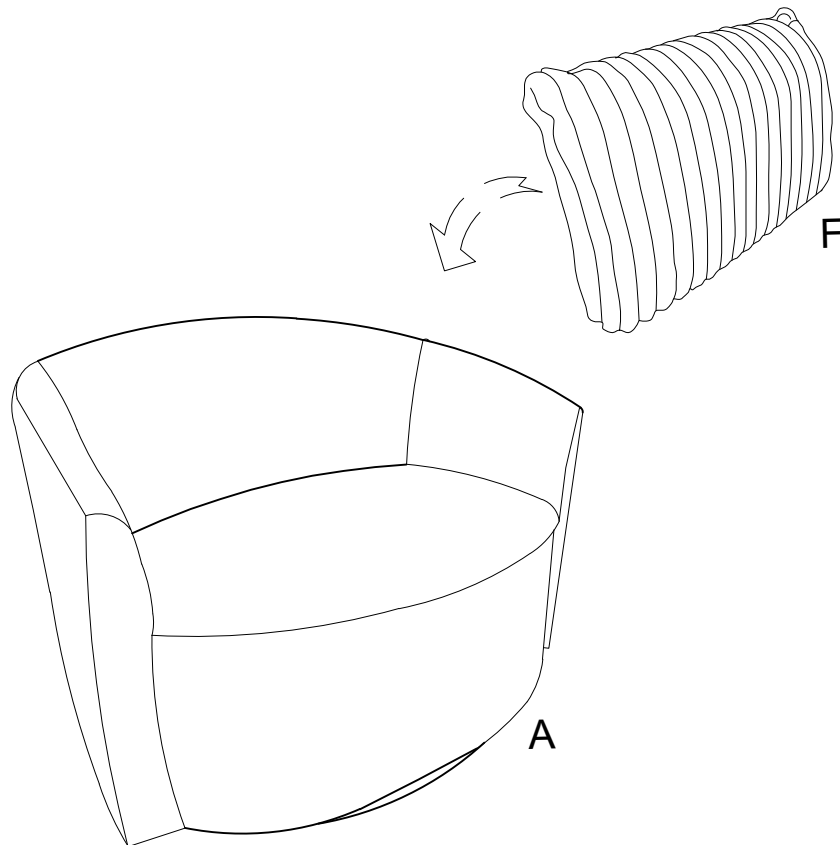


ASSEMBLY INSTRUCTIONS SWIVEL CHAIR

STEP 4:

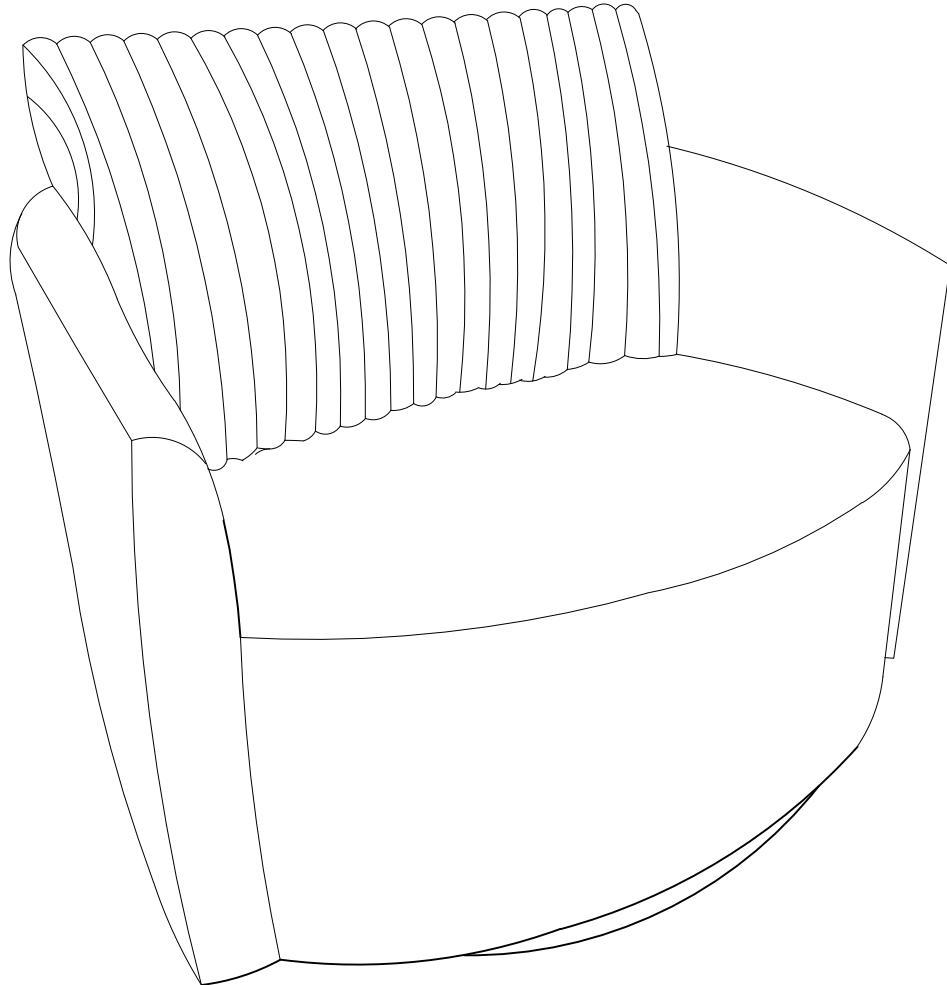


STEP 5:



COMPLETED

360°



Care Instruction

In order to maintain the original appearance of furniture, please follow below simple care procedures:

- Avoid exposing furniture directly to sunlight or heating and air conditioning outlets.
Sunlight and or exposure to heating and air conditioning outlets will fade/damage
- Vacuum or wipe with a soft cloth to remove dust.
- Hardware may loosen over time. Periodically check to make sure all connection are tight, Re-tighten if necessary



For item use on wooden floor, hard surfaces or carpets, it is recommended to install protective pads under all legs and supports to avoid/prevent from damages/scratches and discoloration.