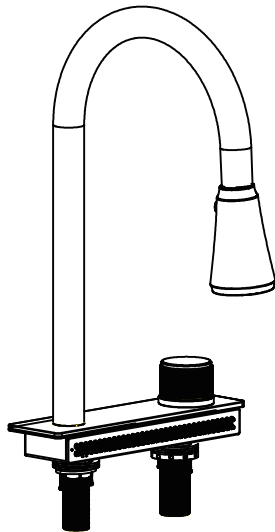


# Pull-out kitchen sink faucet Installation ins truction



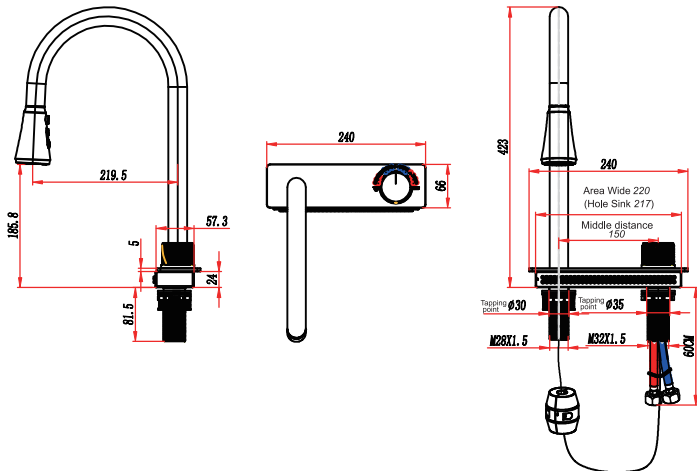
\*\*Please specify color number when ordering

## Pull-out kitchen sink faucet

### Before Installation

Disclaimer: We reserve the right to change product specifications, packaging or product type without notice. Please read all instructions carefully before installation, maintenance and cleaning of our products. Precautions:

- 1.Ensure that all water is drained from the pipes to ensure that no debris or impurities are present before installation and operation.
- 2.Install the faucet first if the basin is a new installation.
- 3.The maximum operating pressure for the [shower] is 0.5 MPa (5 bar). If the water pressure is over 0.5 MPa (5 bar) then a pressure reduction valve should be fitted.
- 4.Important note: The maximum water temperature should not exceed 60 °C (140 F). The shower head and hoses should be installed away from the heater, as the seals and shower could be damaged, and there is a risk of potential injury to users.



## Installation process

<p>1.Place the rubber gasket (1) in position with the lip facing down. Position the faucet with the handle on the right hand side.</p>	<p>2.Place the screws (2) through the mounting nut (3) so that the screws extend 6mm above the top face.</p>	<p>3.Place the rubber gasket inside the tube (5) and then thread the mounting nut onto the tube.</p>
<p>4.Adjust the position of the screws on the mounting nut, and tighten both screws.</p>	<p>5.Connect and lock the hoses (6) to the water supply, and affix the "cold" sticker (7) onto the cold water hose.</p>	<p>6.Turn on the water supply and allow the water to flow for approximately 1 minute.</p>
<p>7.Insert the faucet into the sink holes as shown in the diagram.</p>	<p>8.Connect the pull-out hose to the inlet hose through the elbow. Check that the pull-out hose action is smooth.</p>	<p>9.Install the metal hose weight (9) onto the inlet hose (8).</p>
<p>10.Connect the inlet hose to the faucet connectors.</p>	<p>11.Adjust the hose weight to the correct position as shown in the diagram, and tighten it.</p>	<p>12.If required, the hose weight position can be adjusted until pull-out faucet action is satisfactory.</p>

## User guidance:

<p>The handle's on/off, turn the right is cold water, mix water,hot water. Return to the middle is close. Turn the handle to the left is cold water, mix water, hot water, turn to the middle is close</p>	<p>The pull-out hose can be extended and retracted freely with minimum force.</p>
<p>Press button to change the water flow mode type.</p>	<p>Push button for air bubble flow mode.</p>
<p>5.Faucet Maintenance 1) Open [turn on, or open] the faucet and rub the shower jet [spray nozzle] to remove any impurities or limescale buildup.</p>	<p>2) If the water flow is reduced due to impurities or limescale, remove [shower head] bubbler, cleanse, and reinstall.</p>

## Installation Inspection

Before operations, check installation as follows:

- 1) Ensure that the handle is in the OFF position and that all connectors are tight.
- 2) Open water supply [faucet or main supply tap] and drainage system [plug], checking for leaks and repairing leaks as required.

### Cleaning Instructions

Clean chrome surfaces with neutral detergents and use a soft towel to clean. Strong chemicals such as ammonia-based solutions, decontamination powder and toilet cleaner should be avoided as they will cause damage to the [electric lock] and should be avoided.

Abrasive cleaning products such as scouring pads and wire brushes, and abrasive chemicals should be avoided as they will damage the surfaces of the faucet and its accessories.

## Helpful Information

### Tools:

Gather the necessary tools as shown below to complete the installation of this Glass rinser



Adjustable Wrench



Flash Light



Basin Wrench



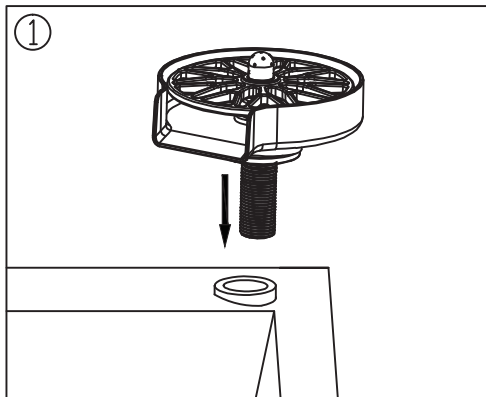
Safety Glasses



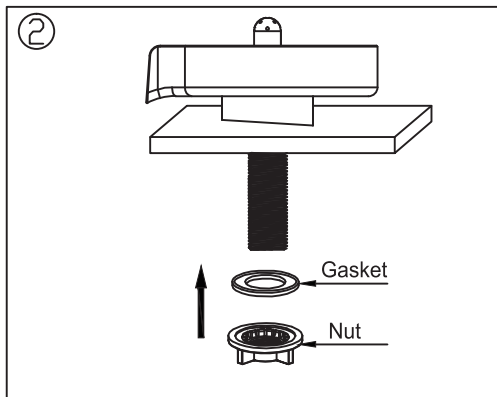
Thread Sealant

Read all instructions before instation.

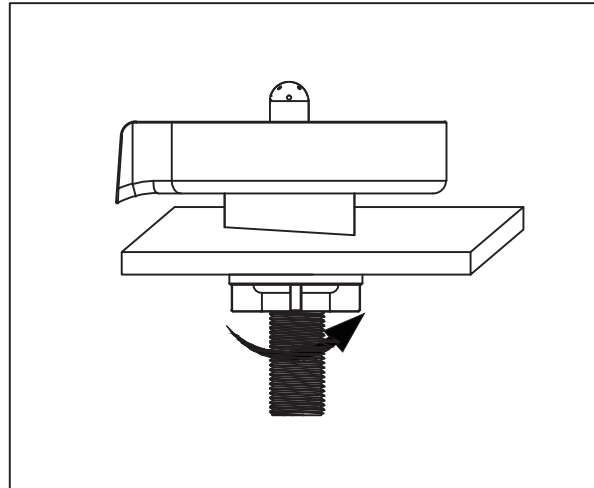
Turn off hot and cold water supplies at angle stops before installing glass rinse



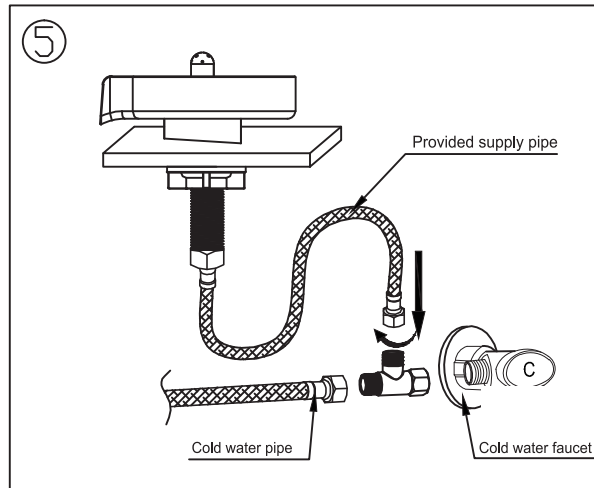
Put the base on the sink hole.



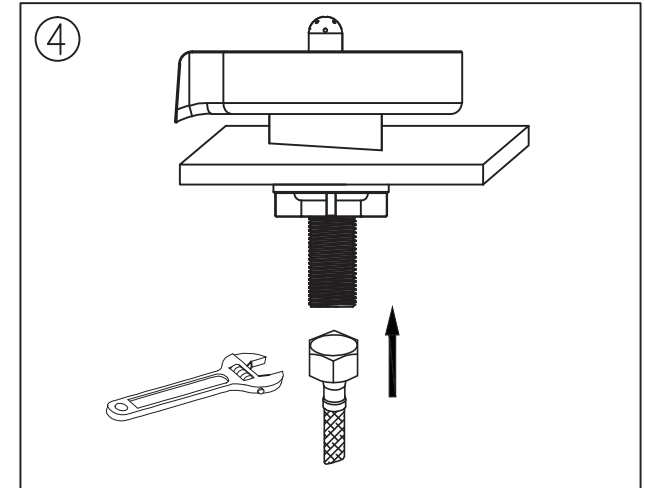
Put the gasket and nut onto the shank



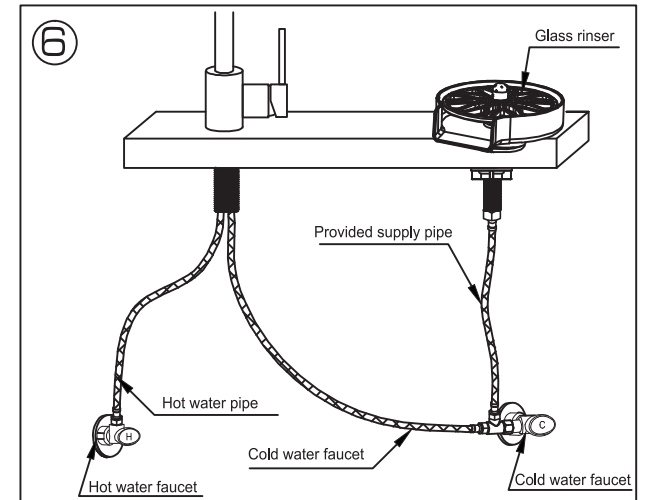
Screw the round nut onto the shank, and tighten.



Untie the existing cold water faucet supply pipe from angle stop.  
Screw provided tee onto angle stop with wrench



Screw the 1/2" end of provided supply pipe to mounting shank with wrench.



Screw both the faucet supply pipe and the 3/8" end of provided supply line to tee. When pipes are installed, check alignment and retighten mounting nut.