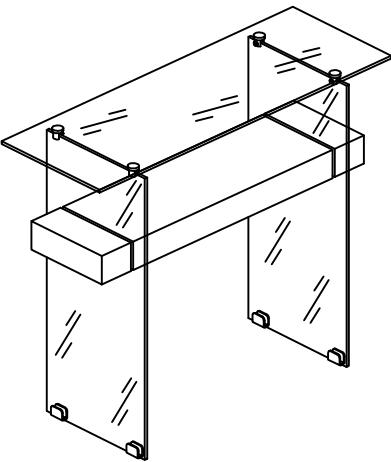
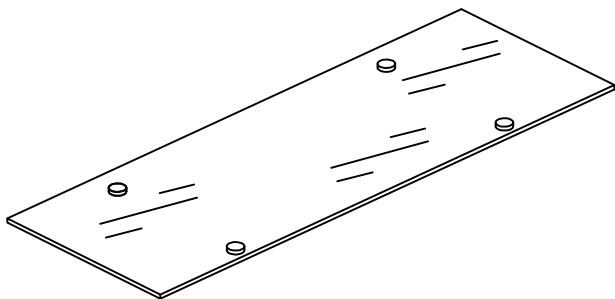


SKU: Air Apricot-Glass-YM ASSEMBLY INSTRUCTION



1



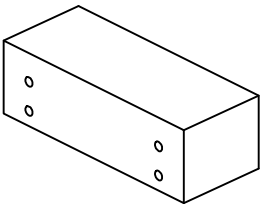
1PC

2



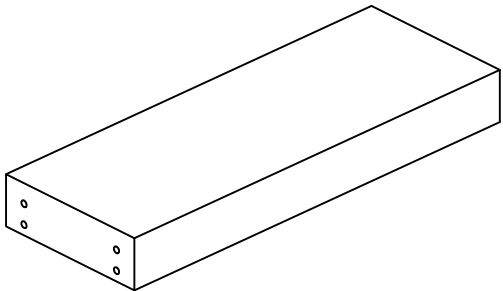
2PCS

3



2PCS











4











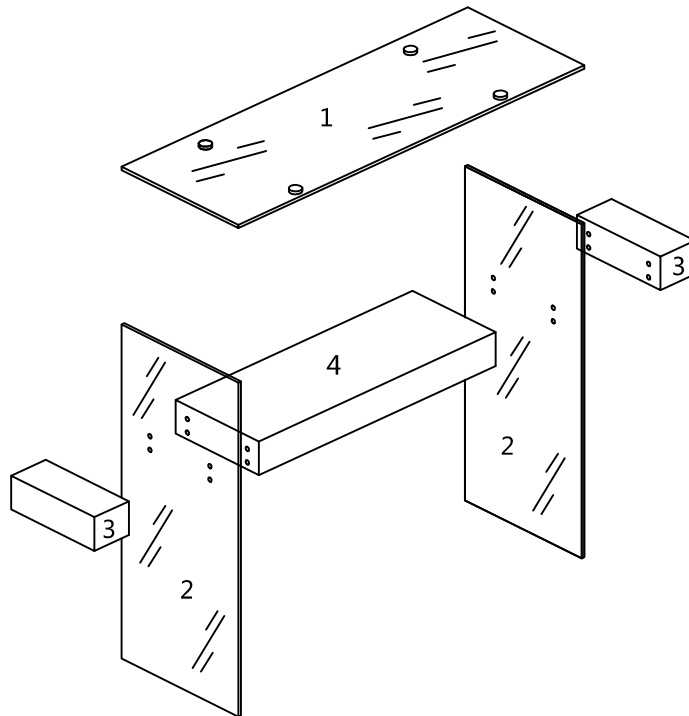
1PC

SKU: Air Apricot-Glass-YM

ASSEMBLY INSTRUCTION

Hardware				Accessories			
NO.	PICTURE	SIZE	QTY	NO.	PICTURE	SIZE	QTY
A	 	M6*50	8	B	 	M6	8
C	 	M6*16	16	D			1
E			1	F			4
G			4				

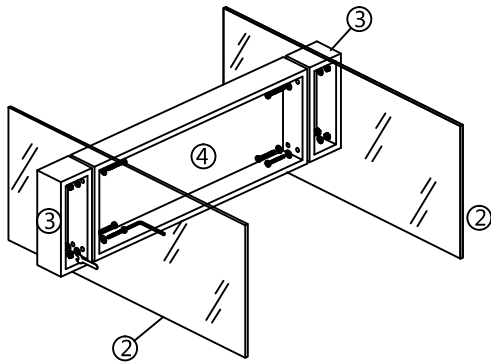
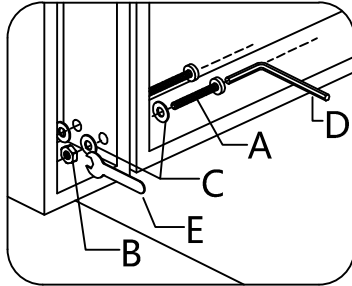
Spare							
NO.	PICTURE	SIZE	QTY	NO.	PICTURE	SIZE	QTY
A	 	M6*50	1	B	 	M6	1
C	 	M6*16	1	F			1
G			1				








Decomposition Diagram

SKU: Air Apricot-Glass-YM ASSEMBLY INSTRUCTION

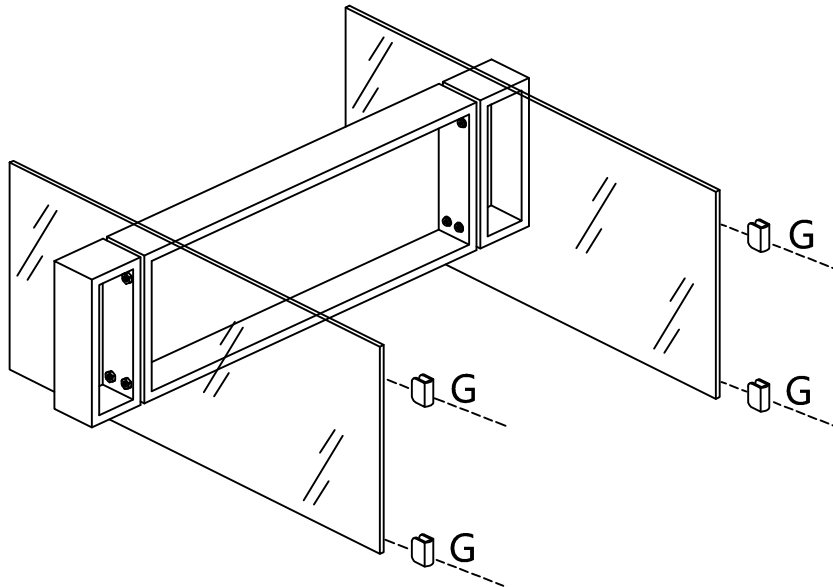
STEP 1




Notes: Please do not use power drill, use allen key provided. Do not use desk before assembling completely. Please put all of these screws into the holes and just screw 20%-40% of every screw firstly, then fasten all of the screws.

A=8 X 	B=8 X 	C=16 X 	D=1 X 	E=1 X 
---	---	--	---	---

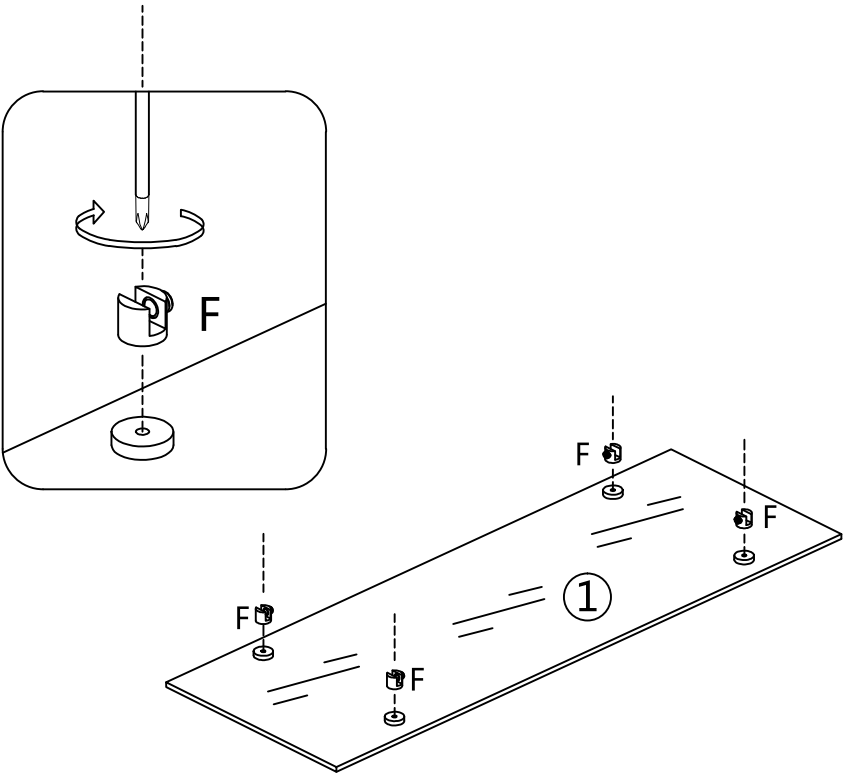
STEP 2




G=4 X 

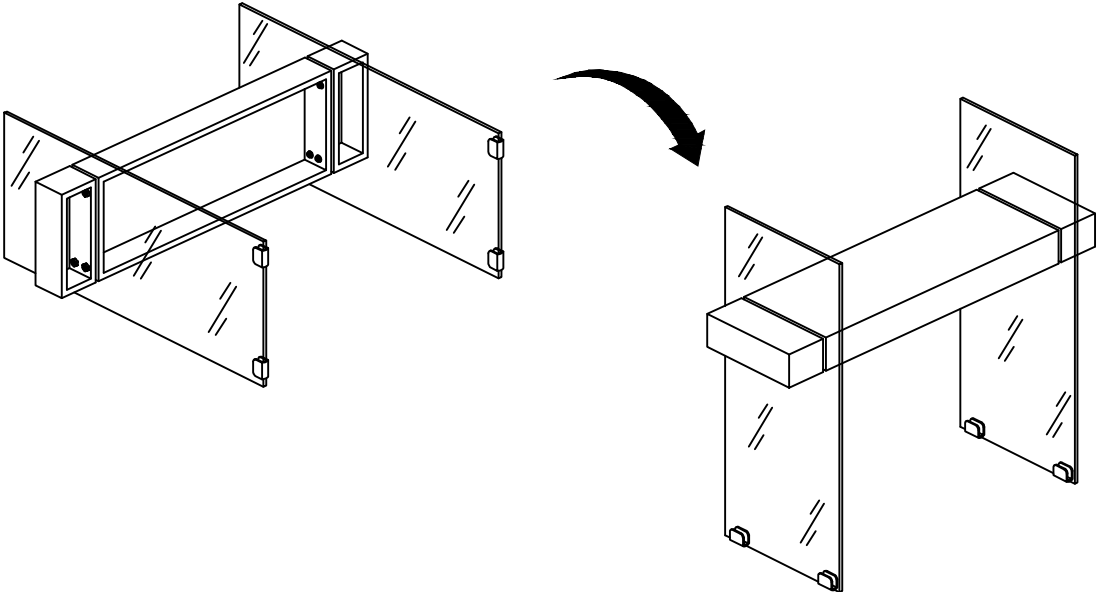
SKU: Air Apricot-Glass-YM ASSEMBLY INSTRUCTION

STEP 3



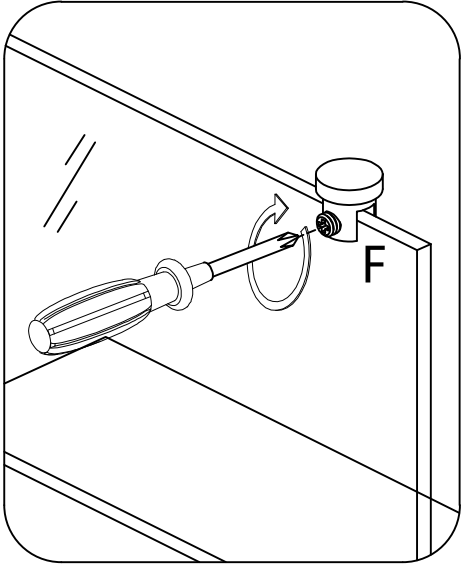
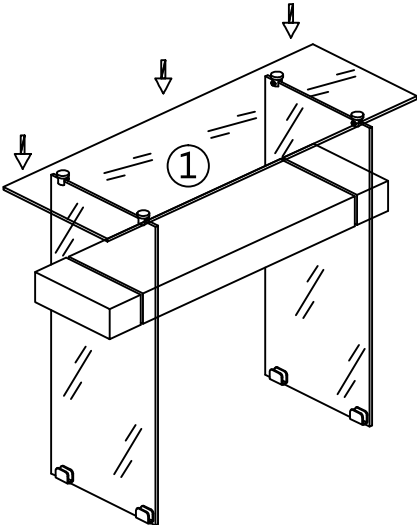
F = 4 X 

STEP 4



SKU: Air Apricot-Glass-YM ASSEMBLY INSTRUCTION

STEP 5



STEP 6

