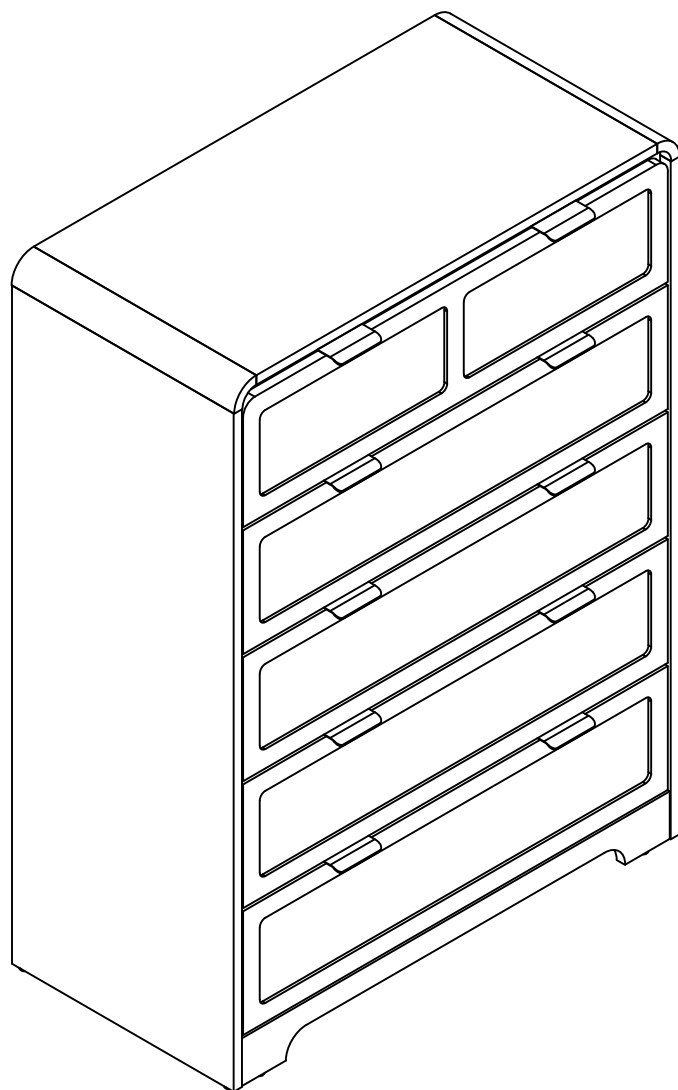
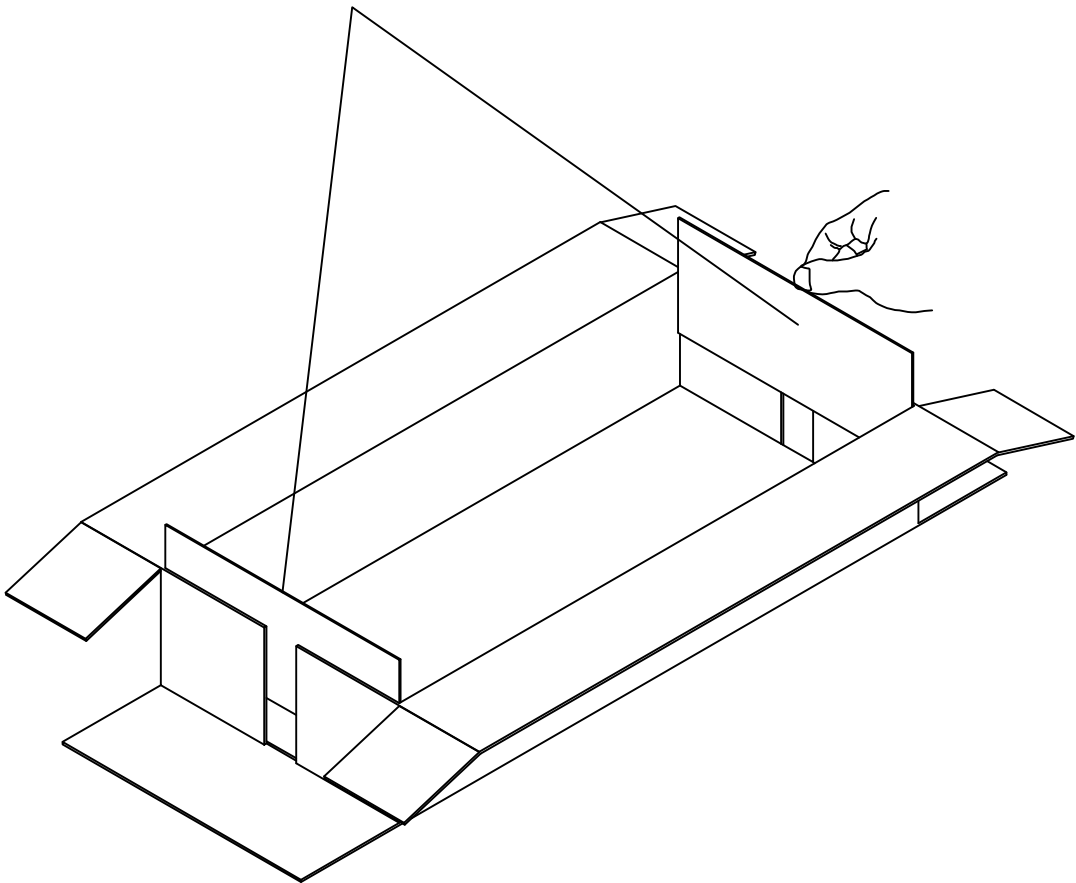


Installation Instruction





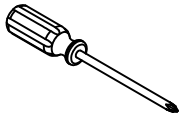
The two panels on the left and right of the package are used to protect the product, you can just throw it away.



Assembling

What you need

- Use the packaging carton as a working surface to prevent product damage during assembly
- Phillips head screwdriver



Weight Limitation



100

lbs table top

| 35

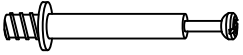
lbs per

What' included

Code Description	Qty
A Cam Bolt M6X35MM	54
B Cam Lock 15X10MM	54
C Wooden Dowel M8X30MM	16
D Screw M4X40MM	27
E Screw M3.5X14MM	40
F Metal shake handhandle	10
G Metal connector	2
H Screw M3.0X14MM	40
I Self-adhesive hole sticker	54
J The back button	18
K Anchor	2
L MATS	6
CL Left mother extended orbit	5
CR Right mother extended orbit	5
DL Left public extension track	5
DR Right public extends track	5

The Hardwares

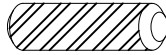
A



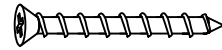
B



C



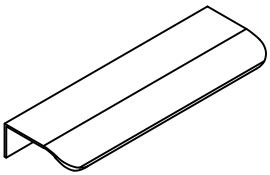
D



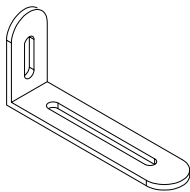
E



F



G



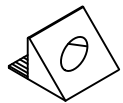
H



I



J



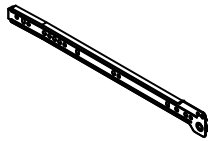
K



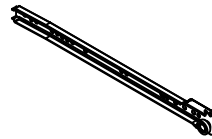
L



CL



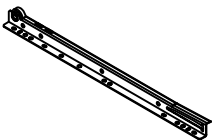
CR



DL



DR



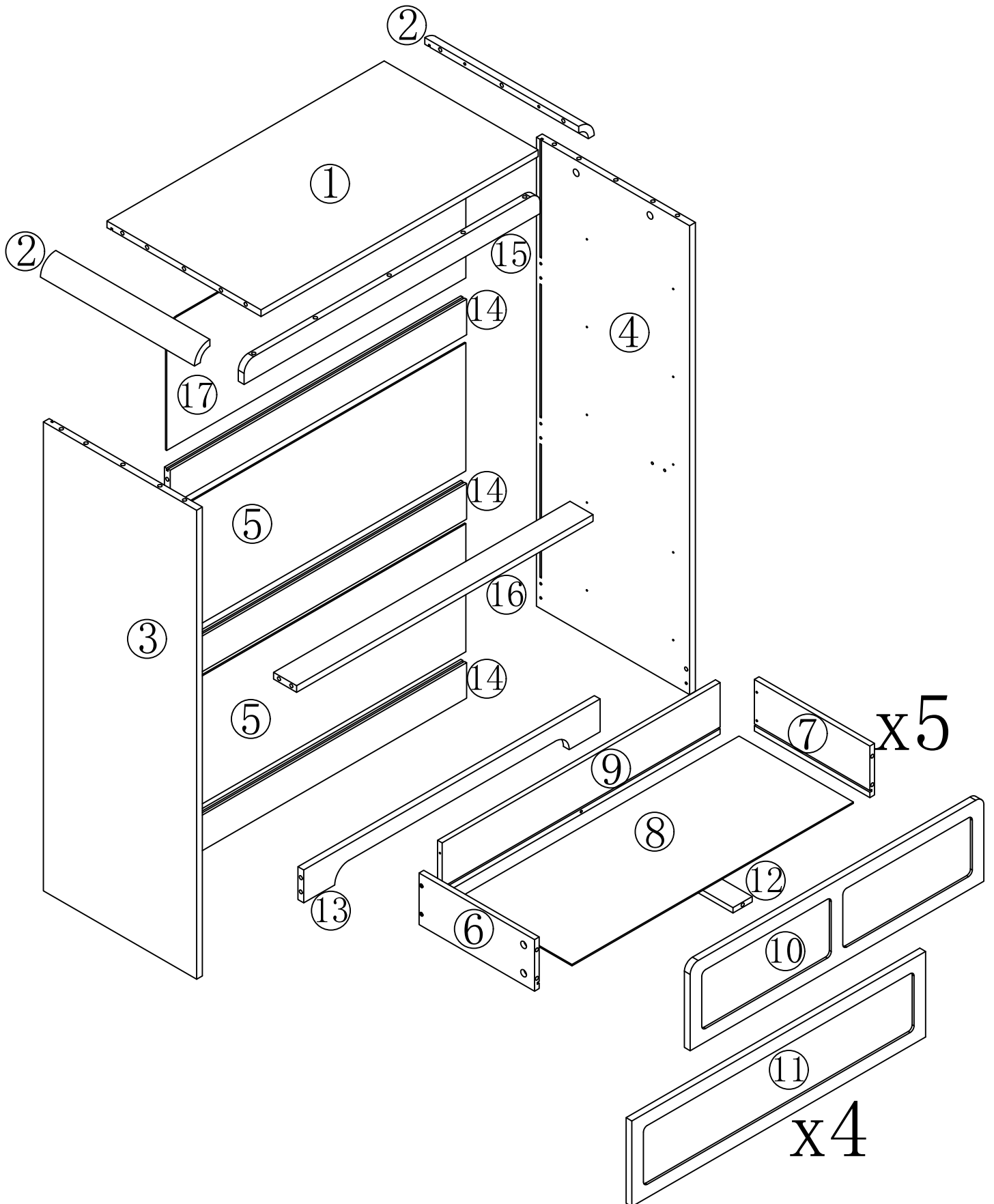
IMPORTANT:

1. Do not tighten bolts / screws completely until all bolts / screws are lined up and inserted into holes.
2. Do not over tighten screws and bolts to avoid stripping
3. You can use a screwdriver. Power tools can also be used. (Be careful with power tools)

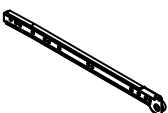


Included Accessories

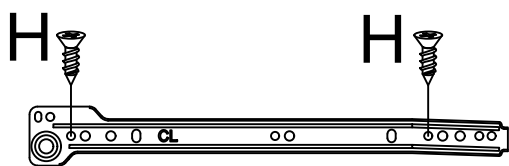
Code	Description	Qty
1	Cabinet Top	1
2	Arc connecting plate	2
3	Left Side Panel	1
4	Right Side Panel	1
5	Upper back plate	2
6	Drawer left panel	5
7	Drawer right side panel	5
8	The drawer bottom	5
9	After the drawer board	5
10	Upper drawer panel	1
11	Middle and lower drawer panel	4
12	At the bottom of the drawer	5
13	Front Support Bar	1
14	After the gusset plates	3
15	Panel reinforcing platel	1
16	Cabinet body reinforcing board	1
17	below back plate	1

The Accessoriss

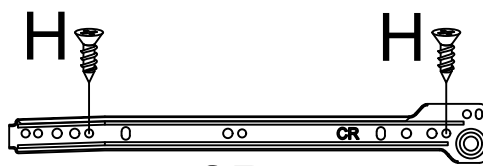


Step 1

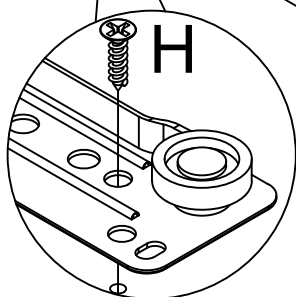
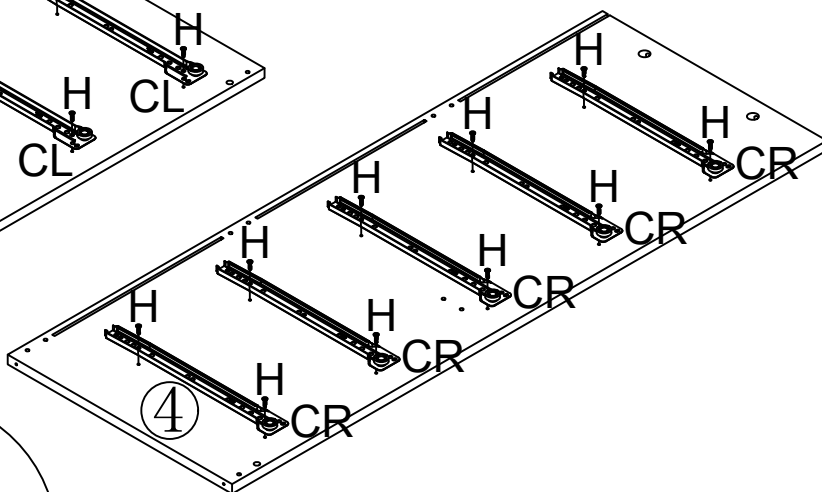
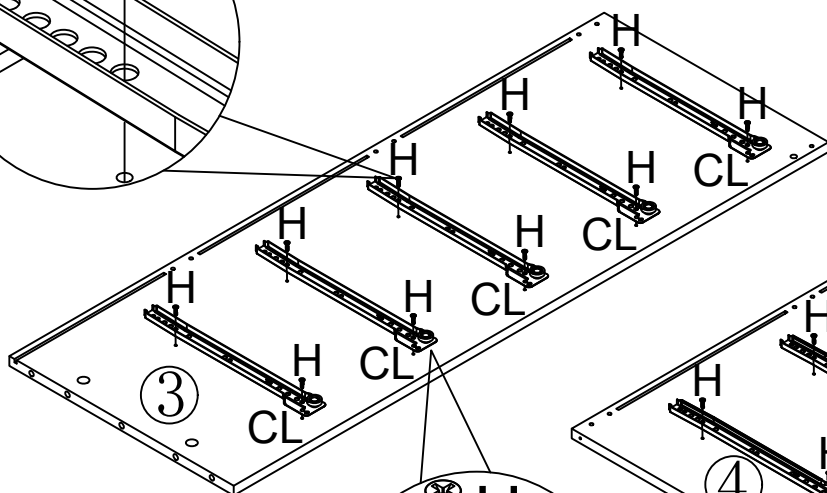
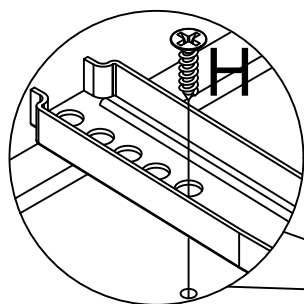
CL	×5	CR	×5	H	×20
					



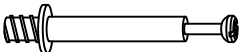
CL

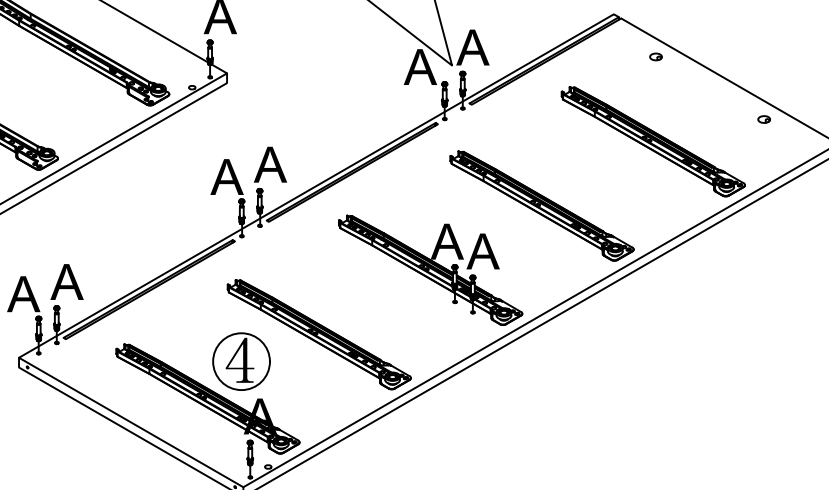
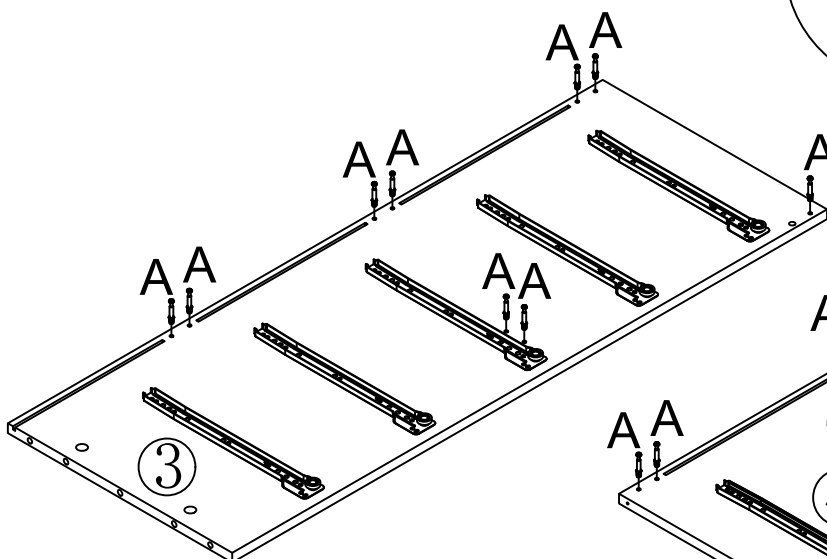
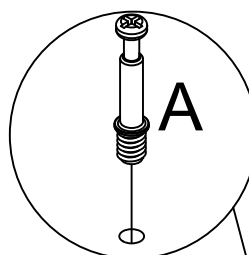


CR

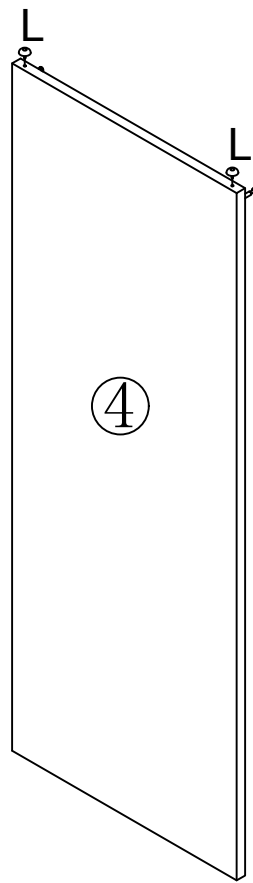
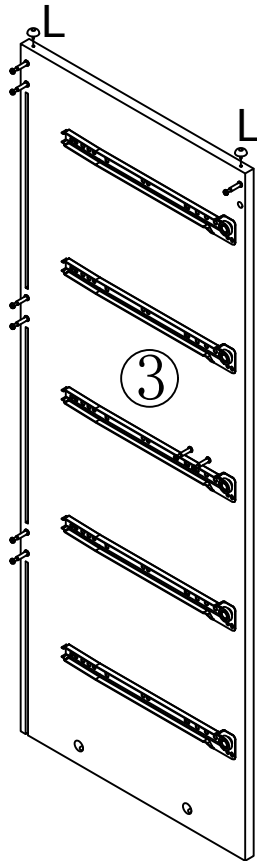


Step 2

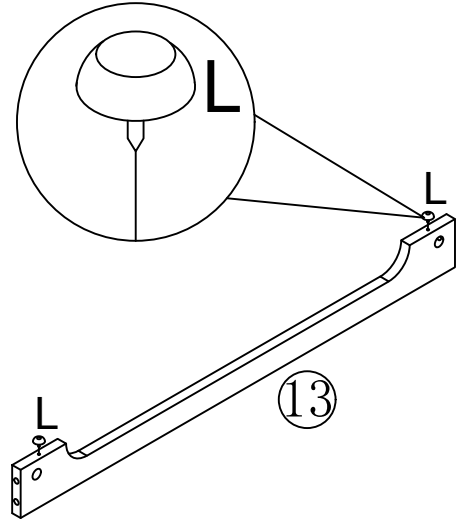
A	×18
	



Step 3

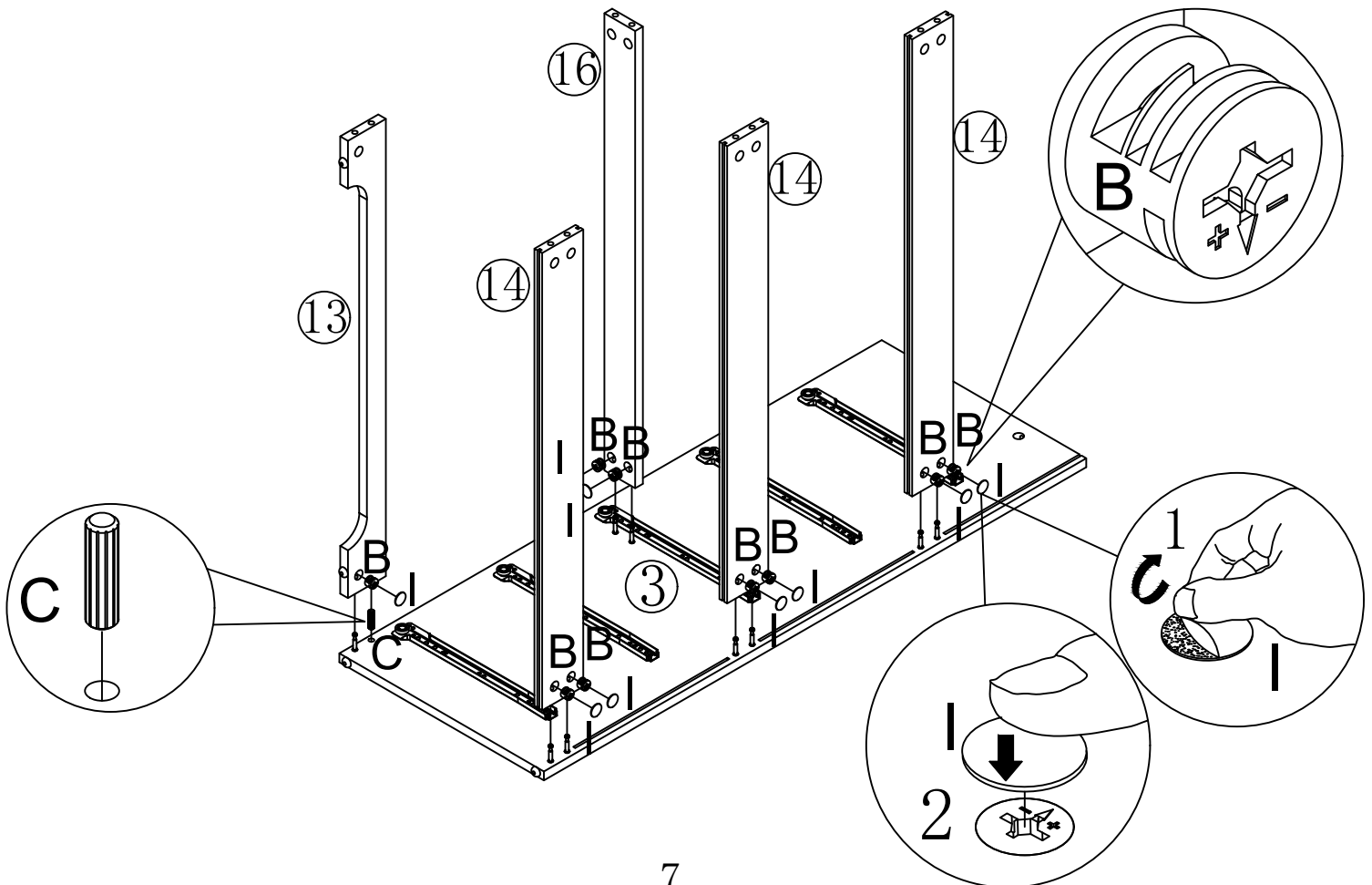


L	×6

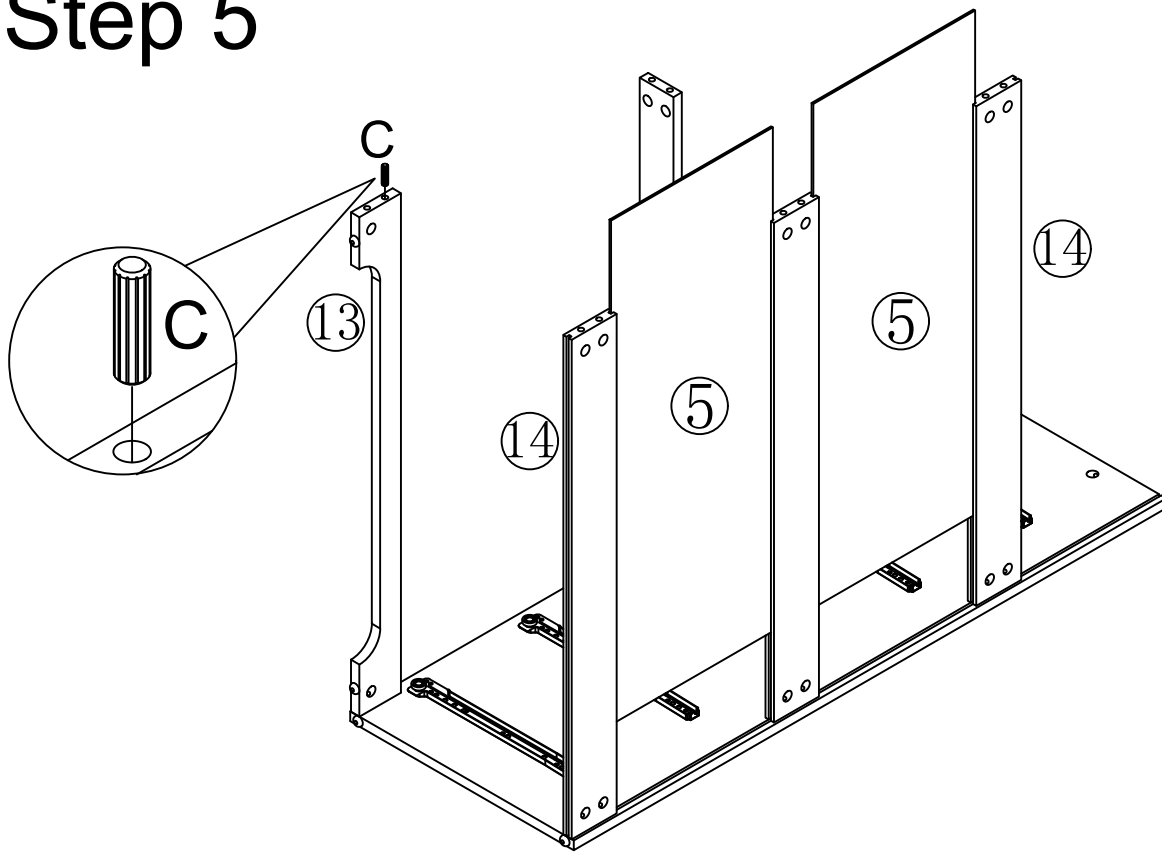



Step 4

B	×9	C	×1	I	×9

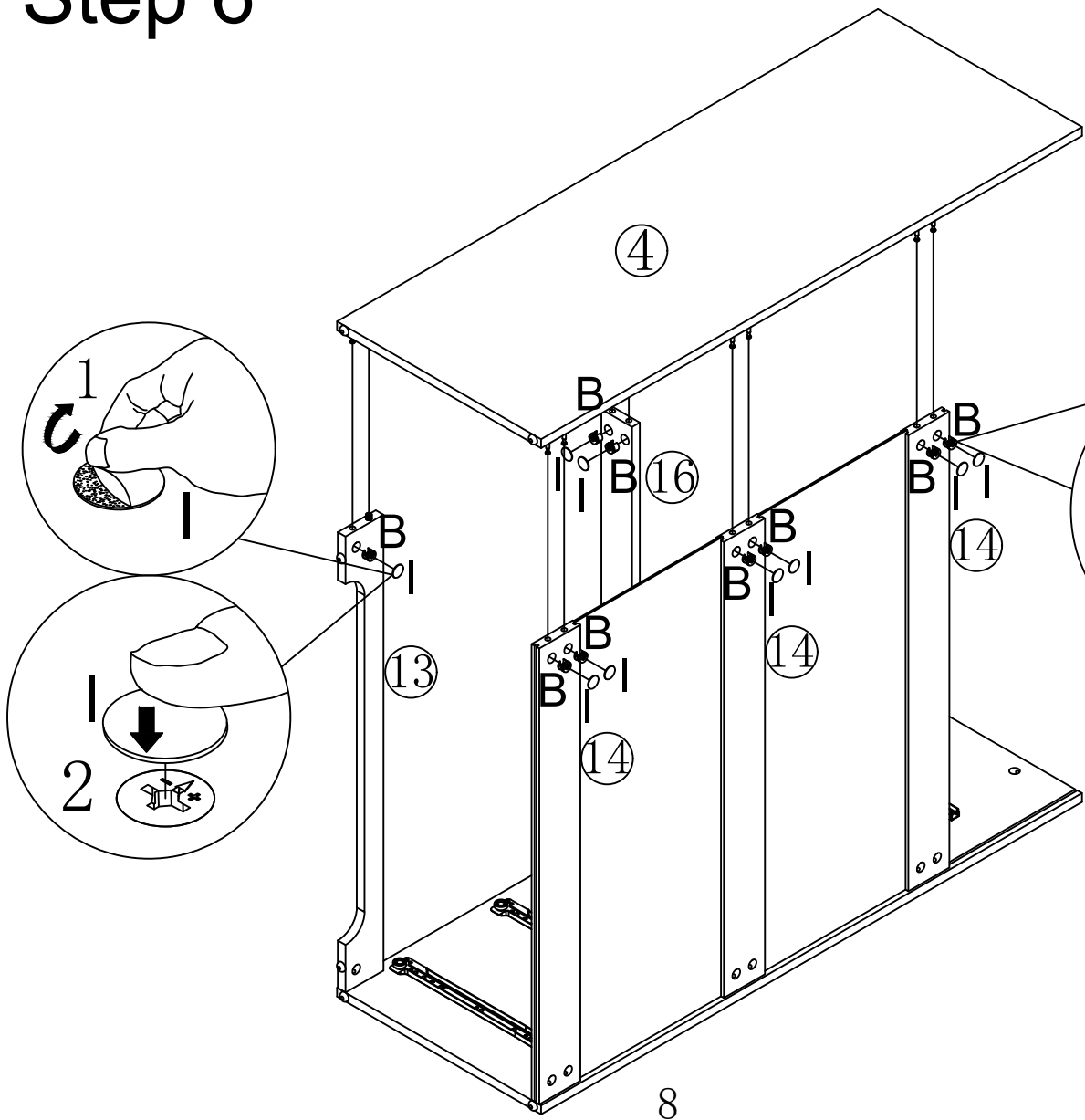




Step 5



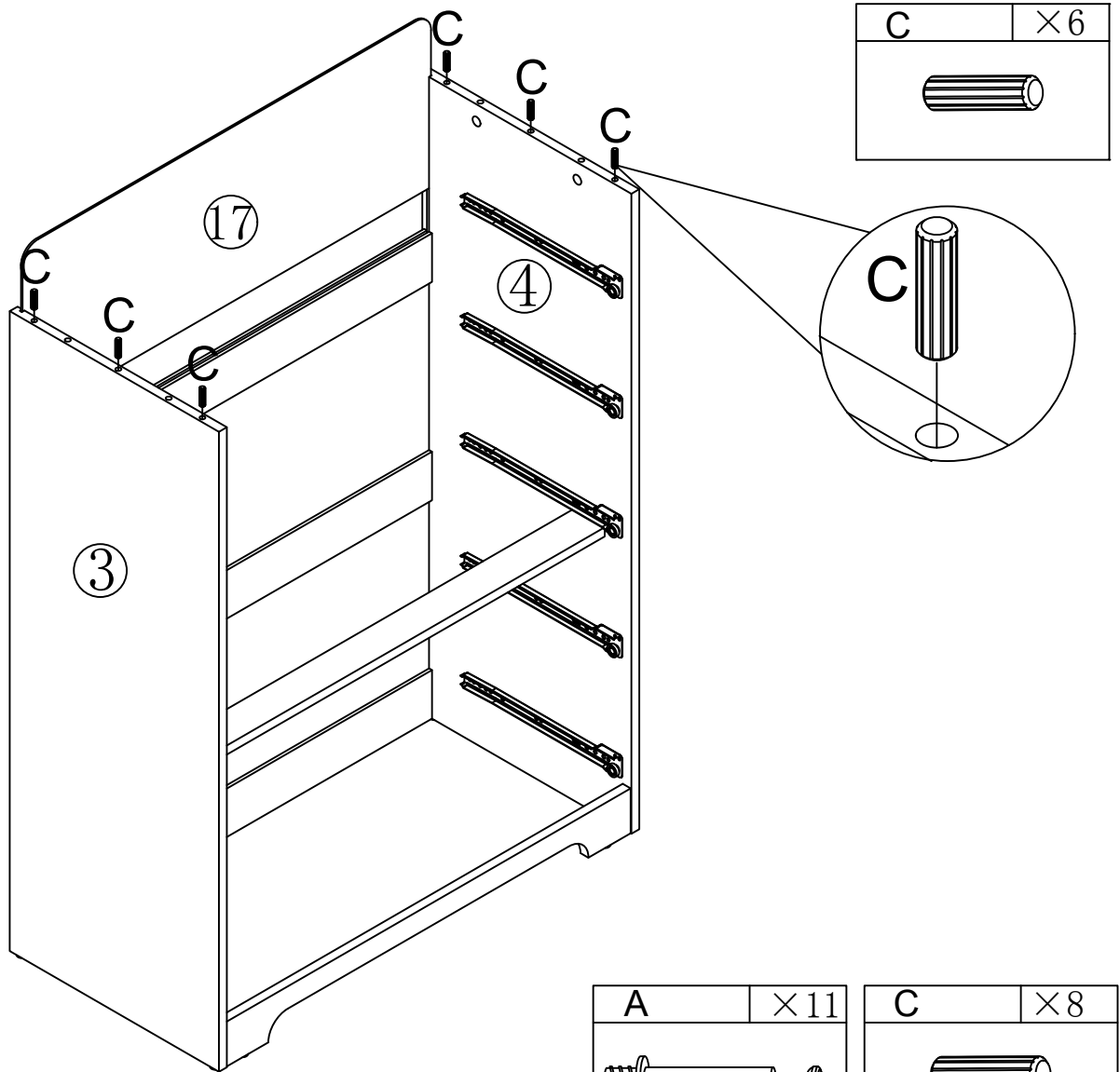
C	×1
	

Step 6

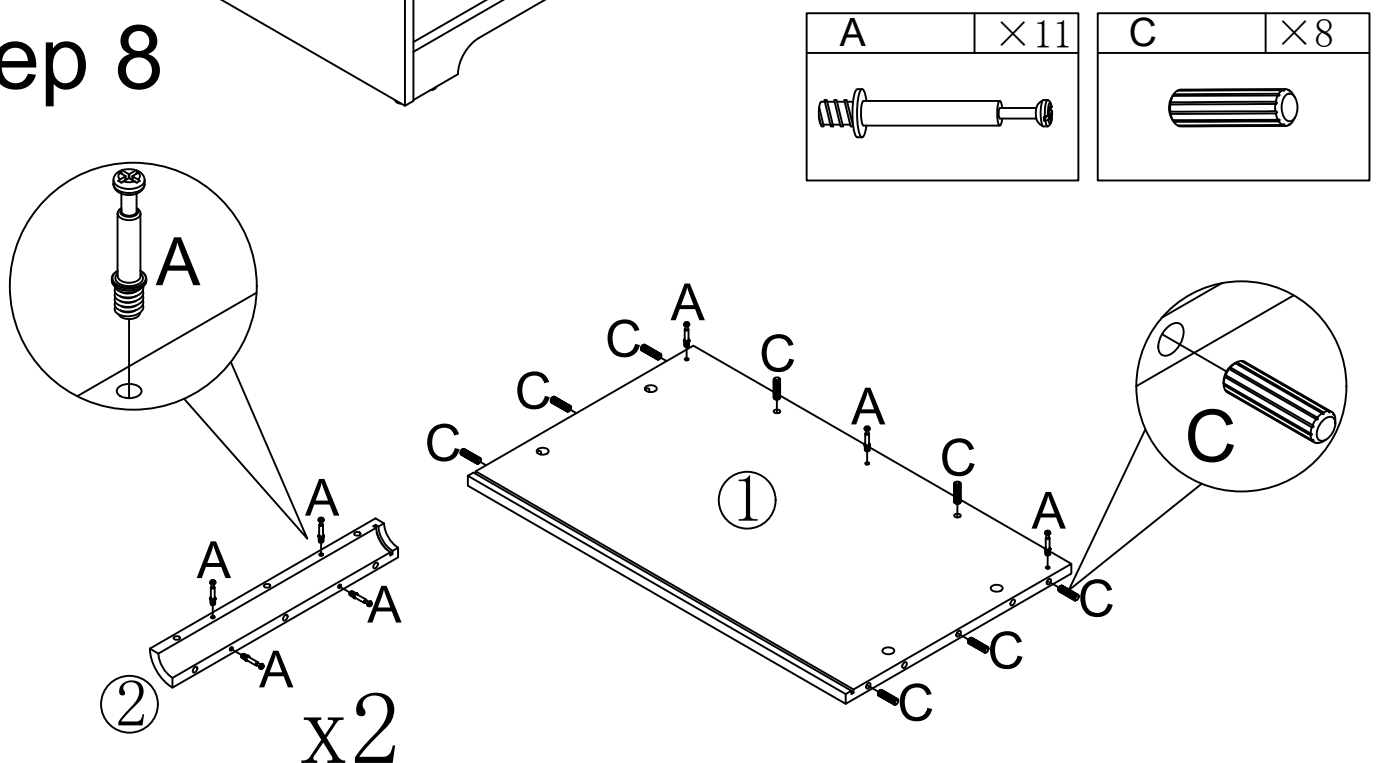


B	×9
	
I	×9
	

Step 7





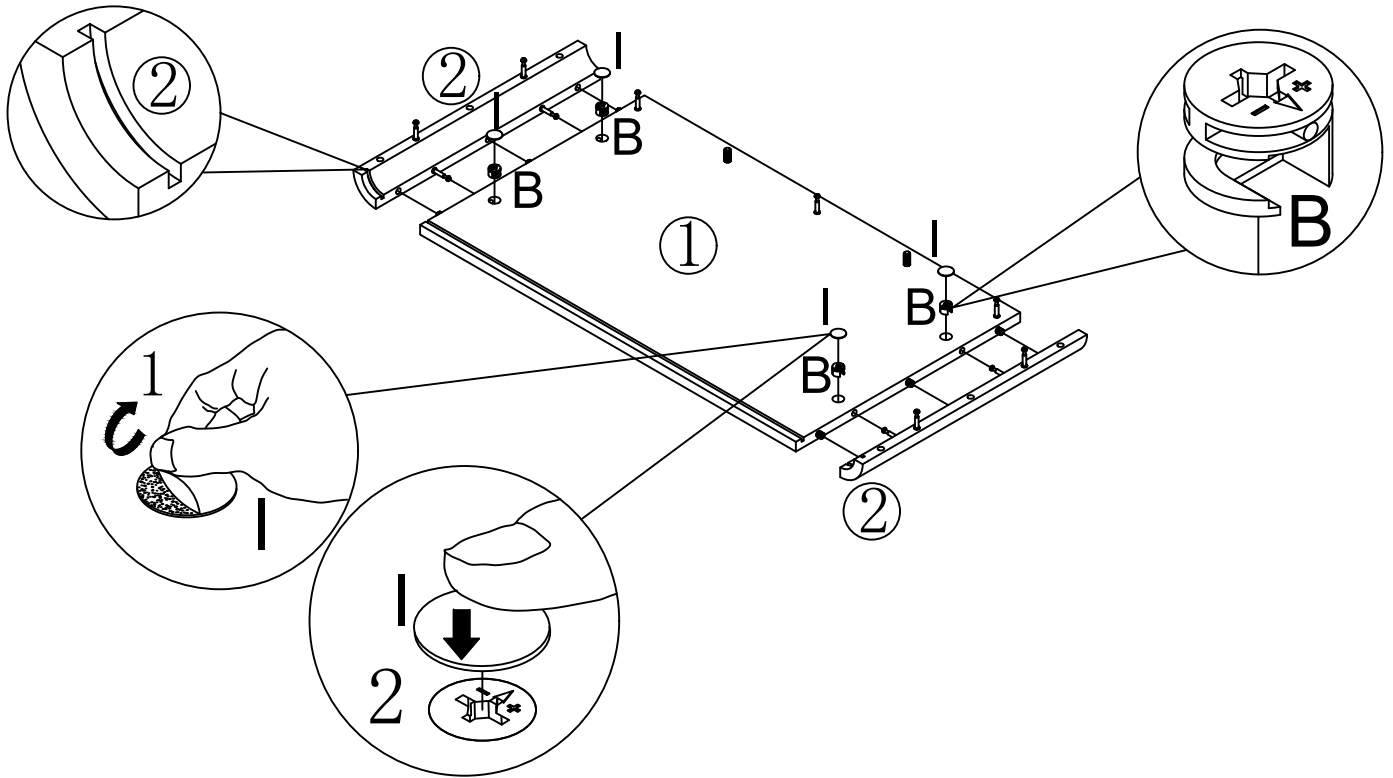
Step 8





Note that when the No. 2 connecting plate is equipped with R Angle lock hardware A, it should be locked straight, not crooked, not very tight, and the normal lock is flat

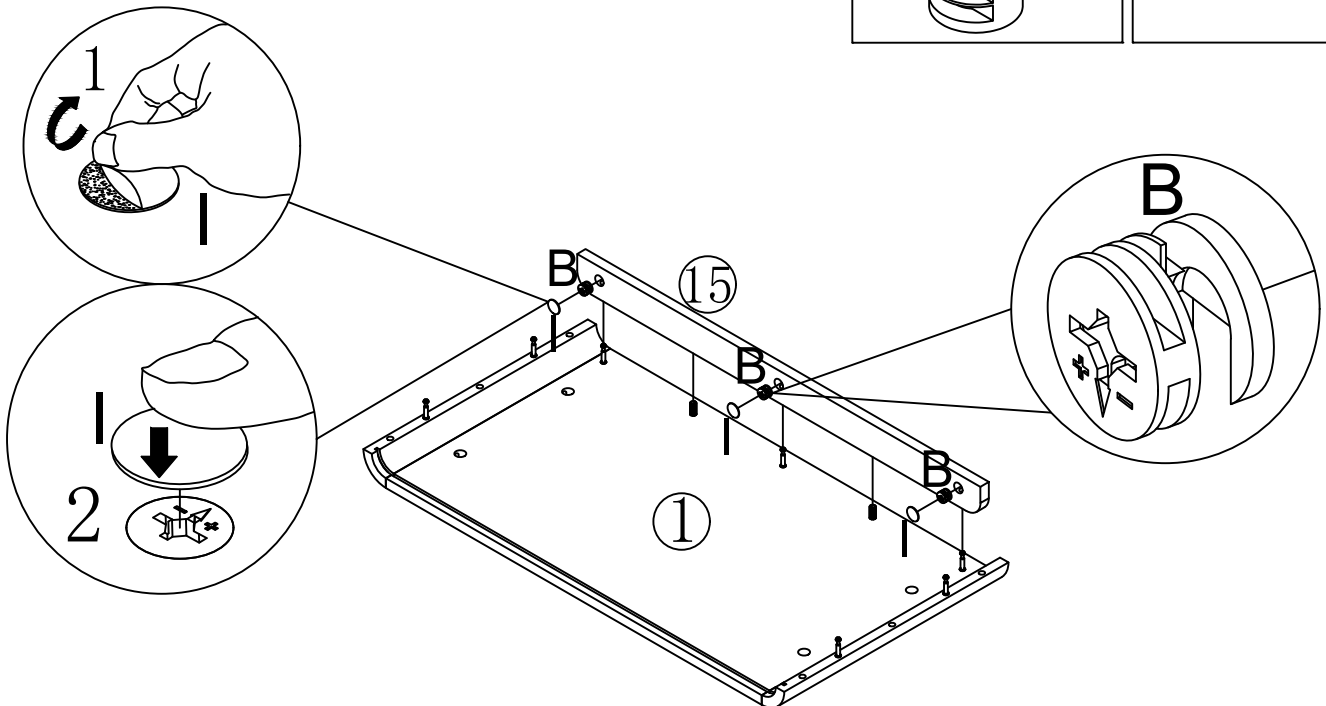
Step 9

B	×4	I	×4
			

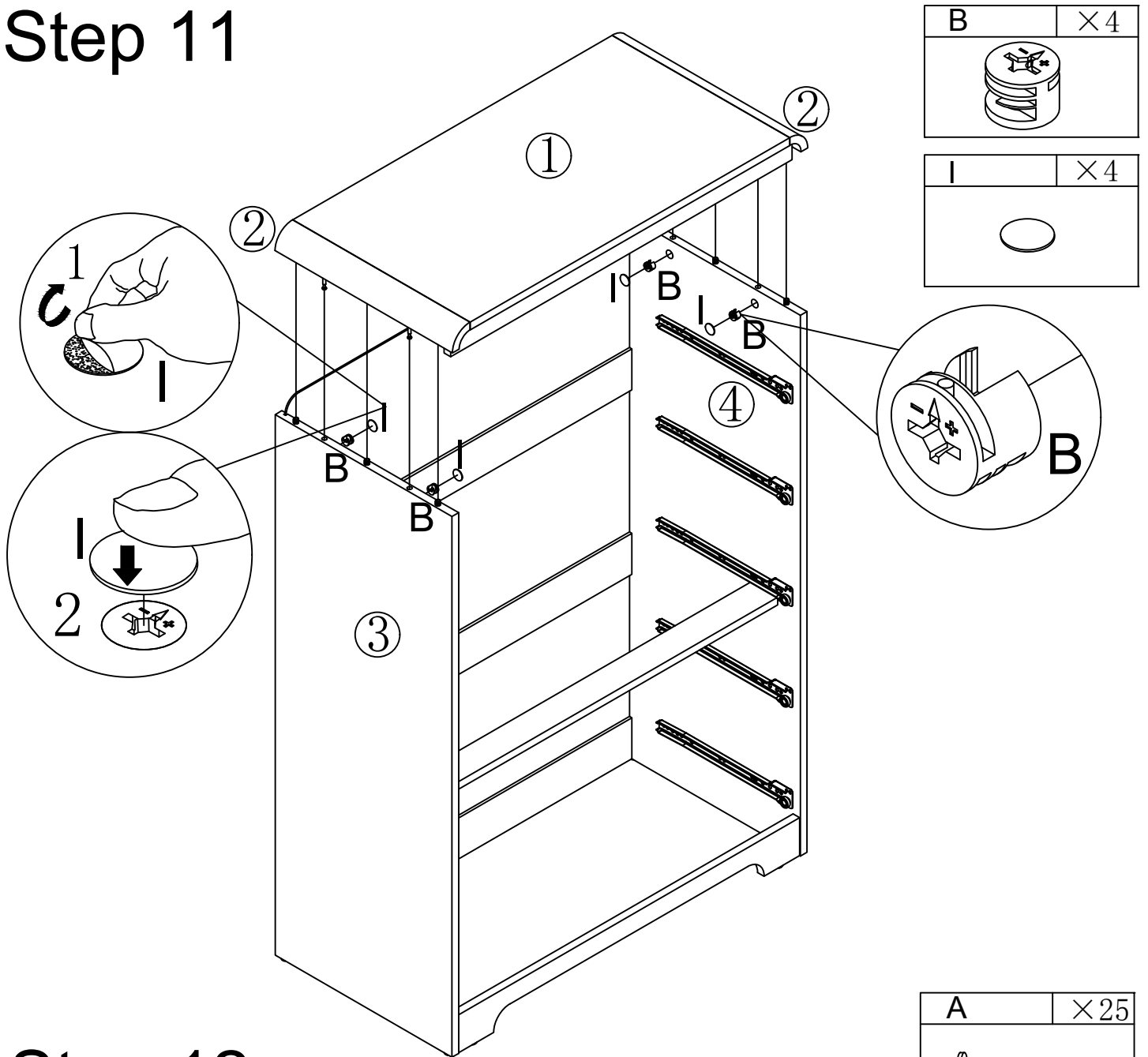


Step 10

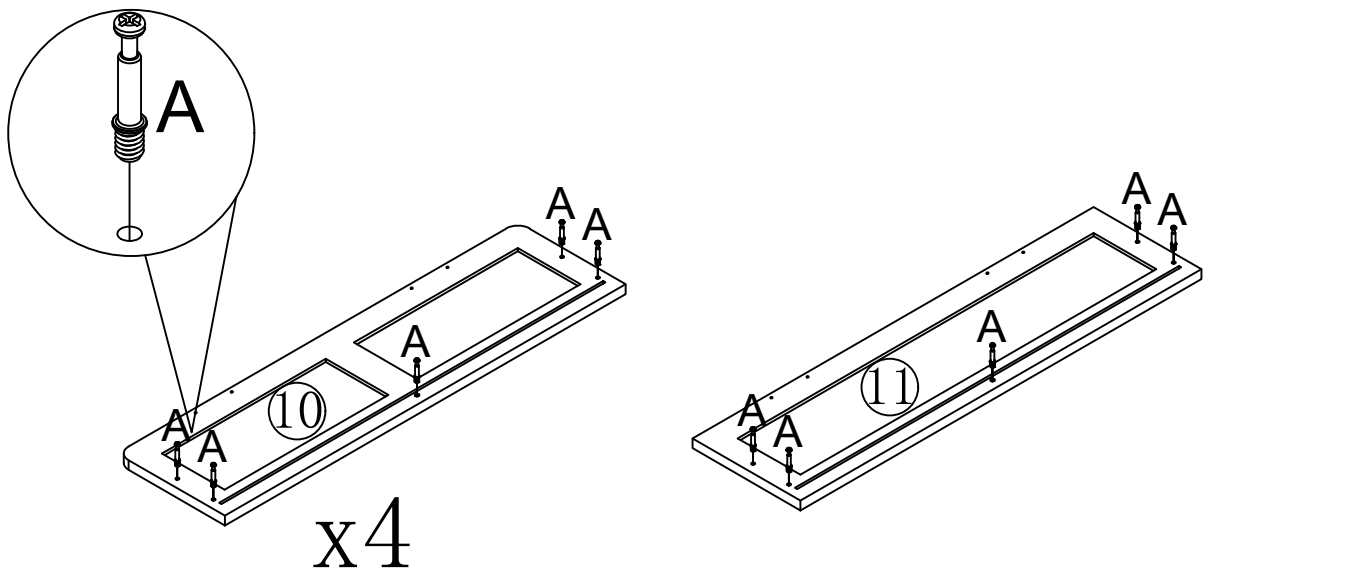
B	×3	I	×3
			





Step 11

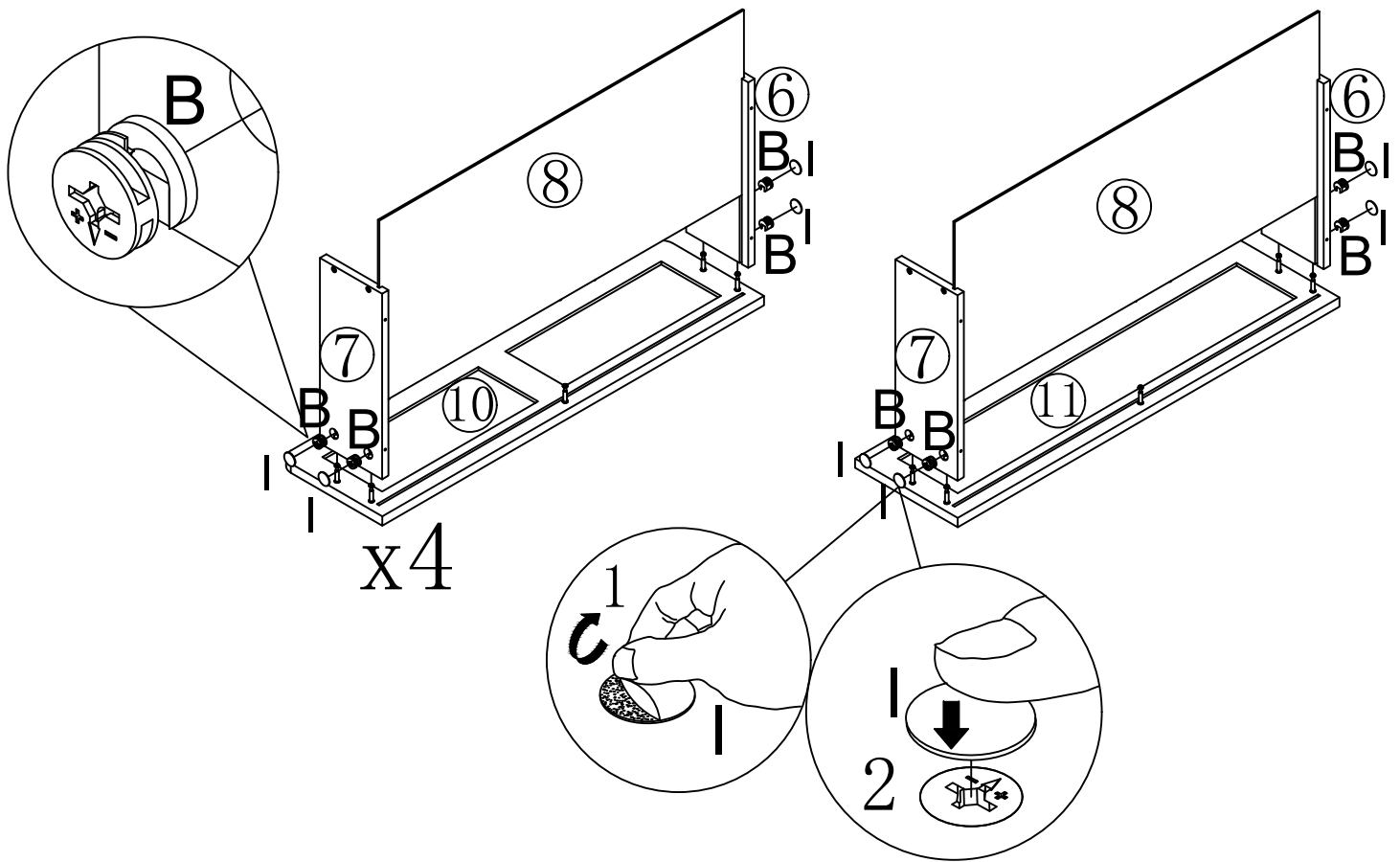


Step 12





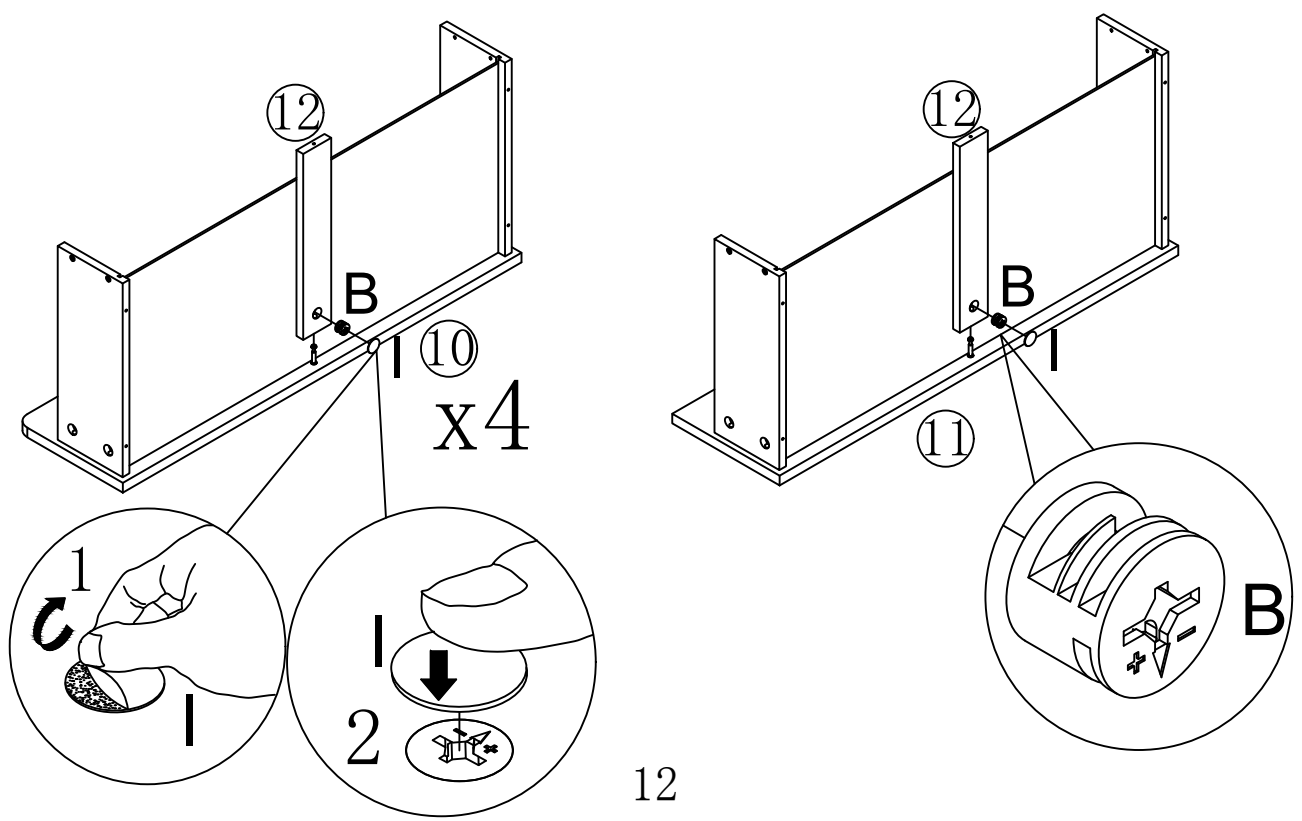
Step 13

B	×20	I	×20
			

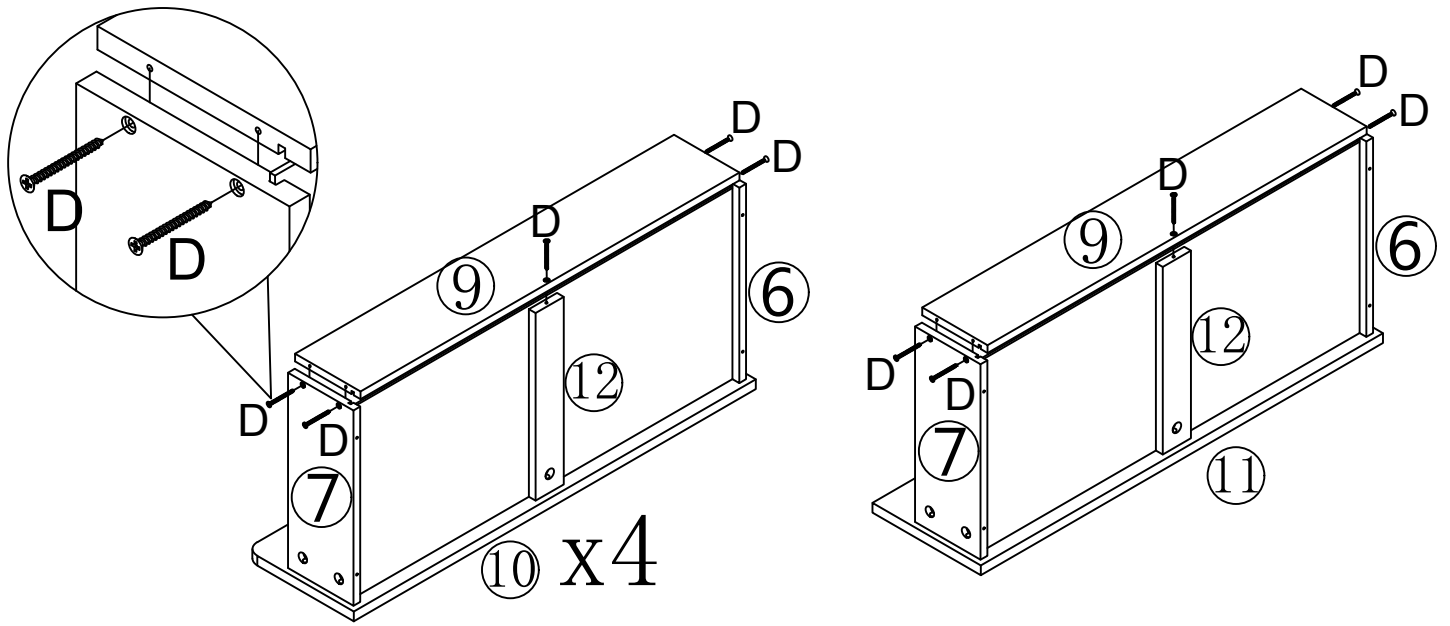
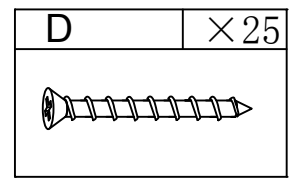


Step 14

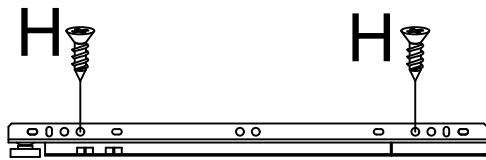
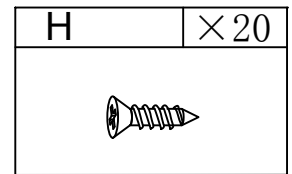
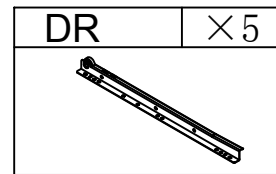
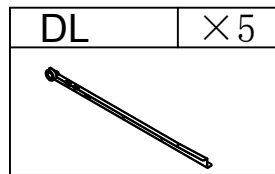
B	×5	I	×5
			



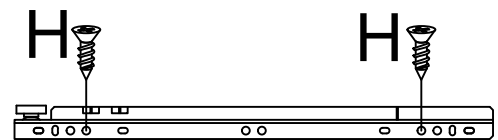
Step 15



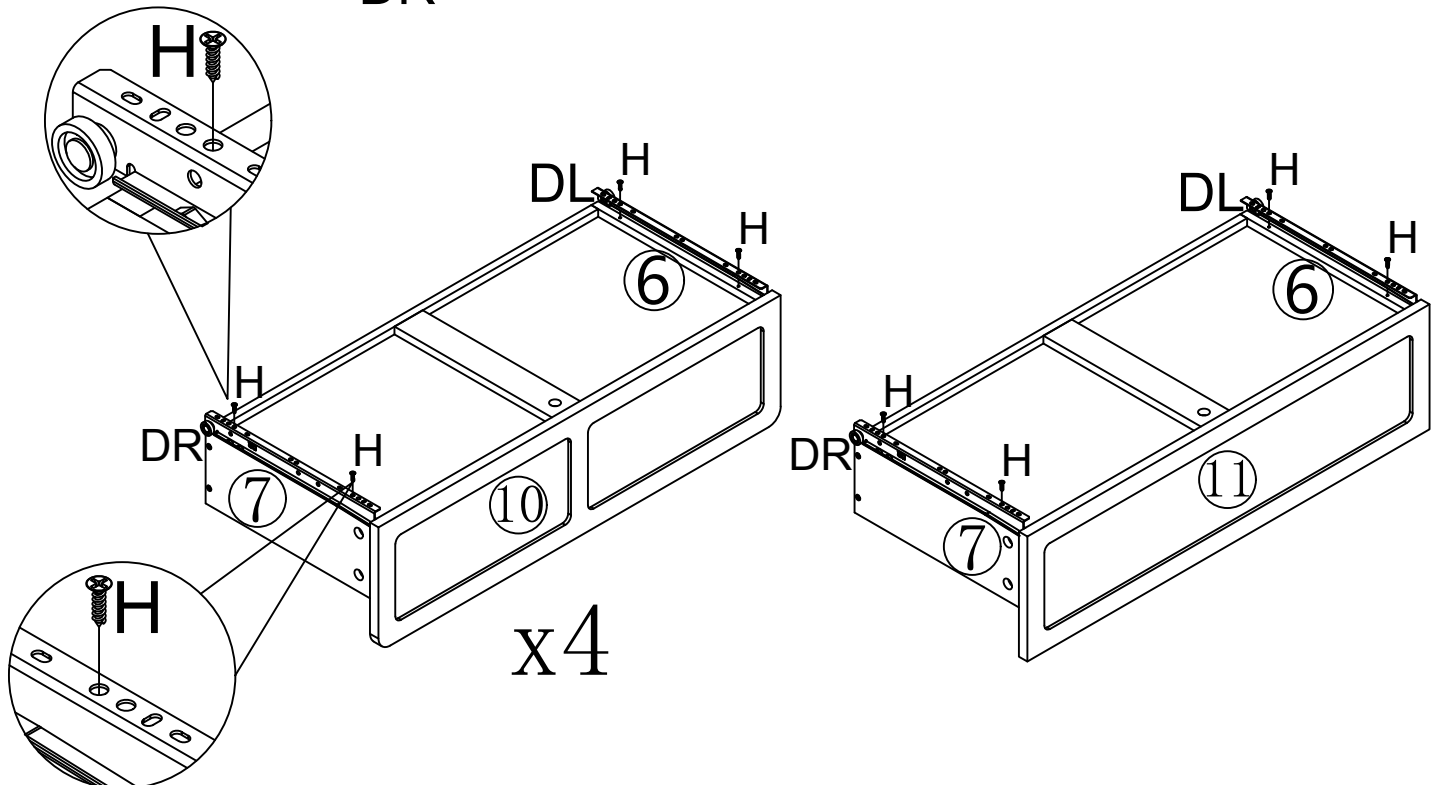
Step 16



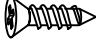

DR

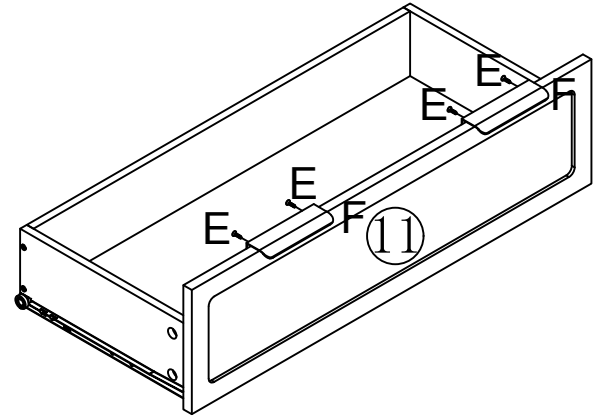
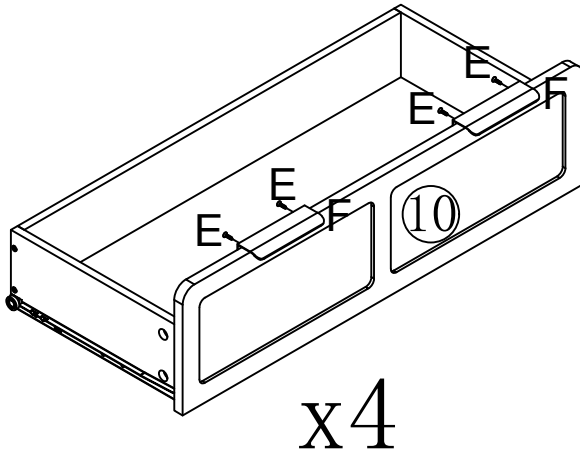


DL

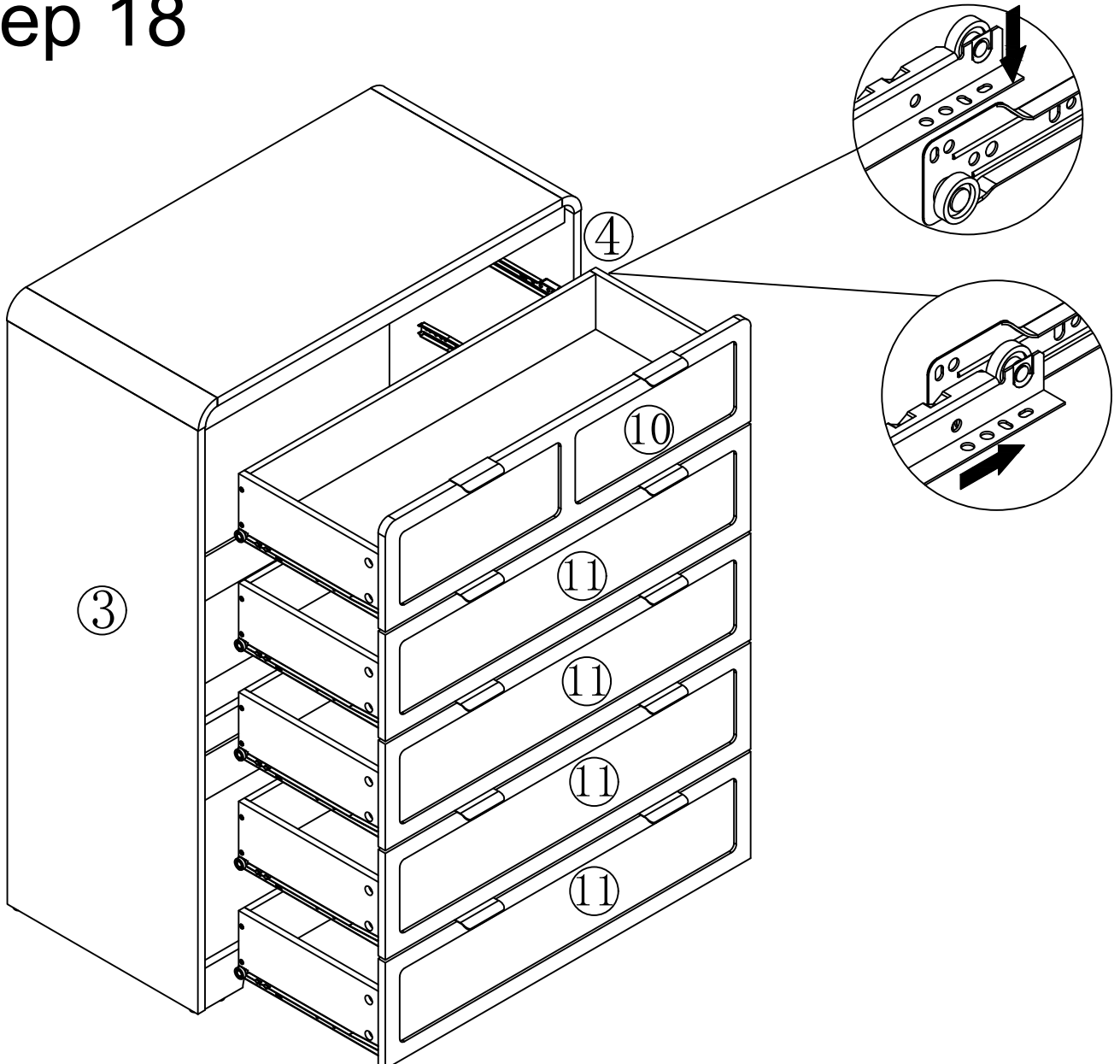


Step 17

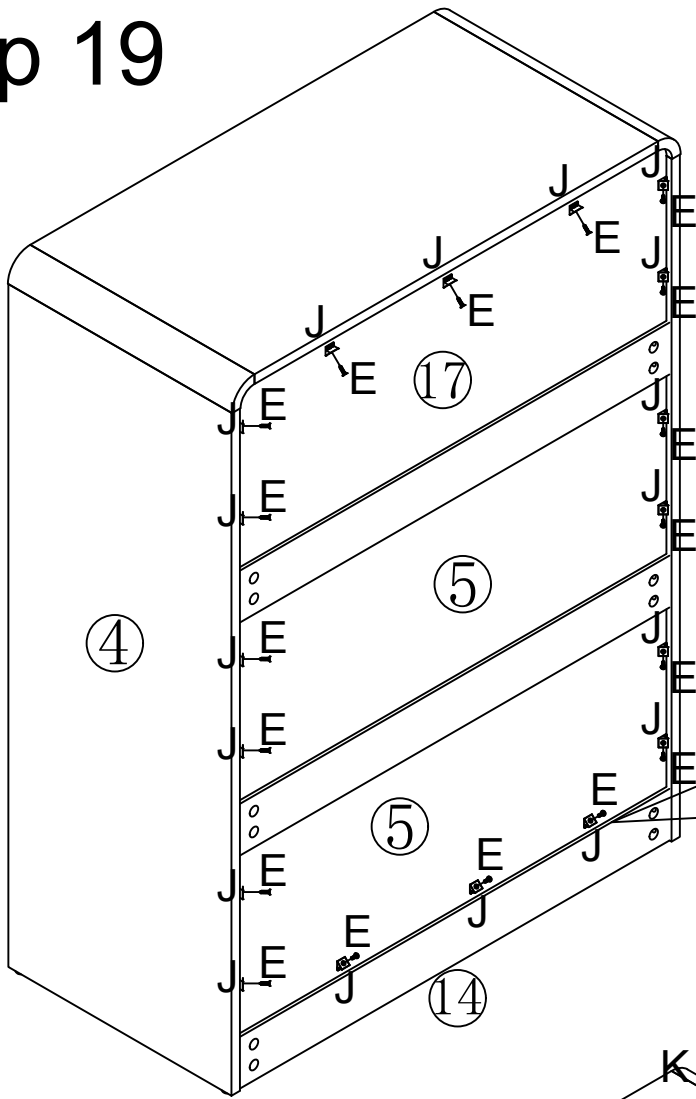
E	×20	F	×10
			


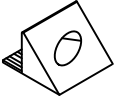


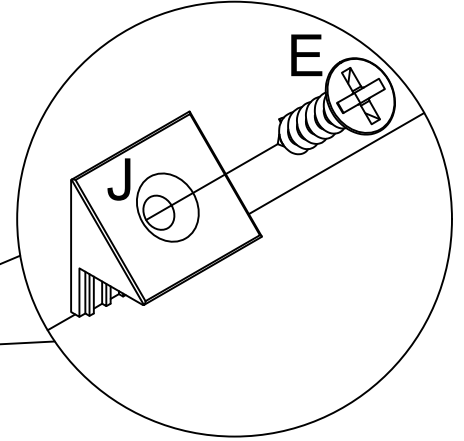
Step 18



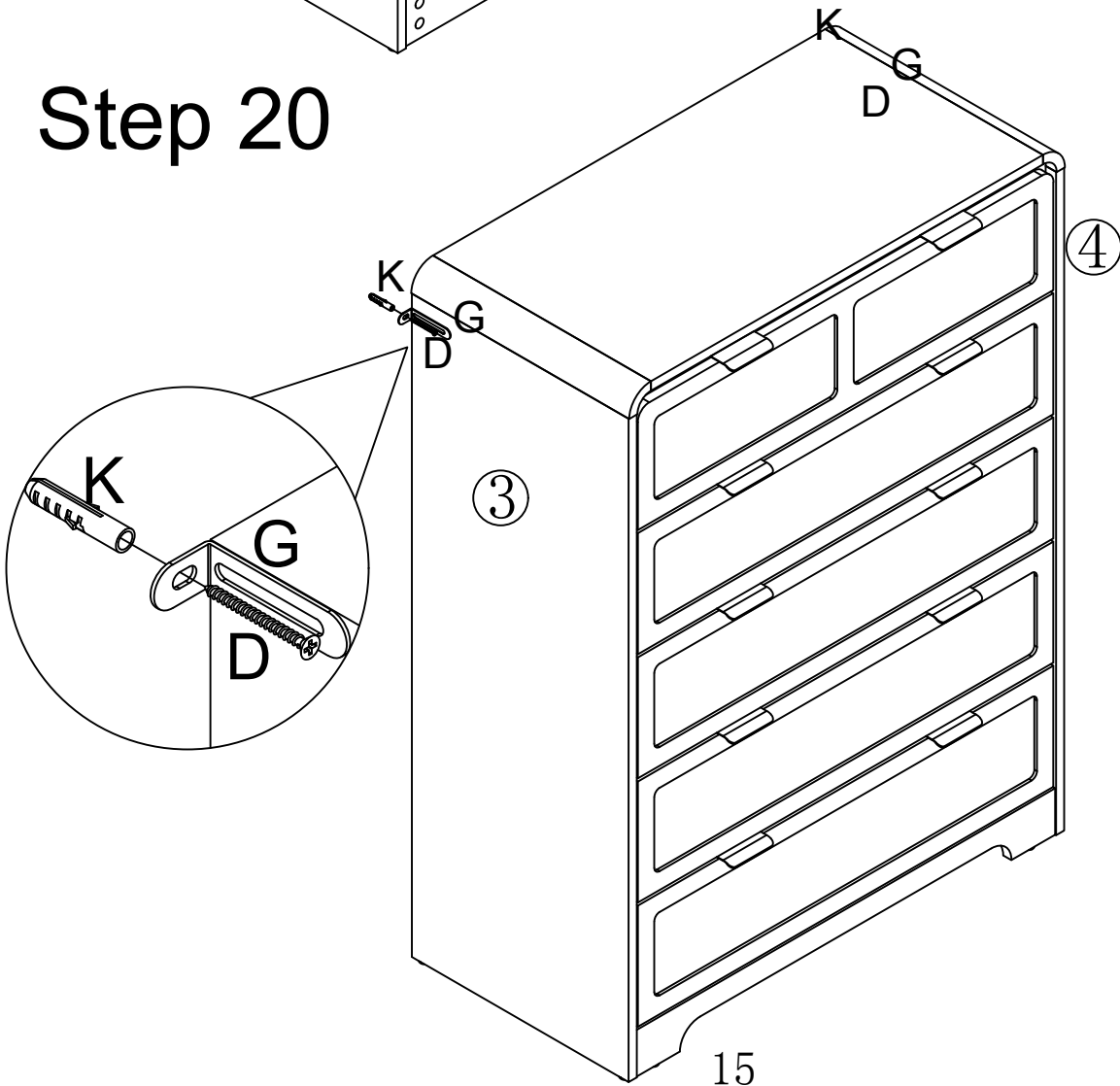
Step 19

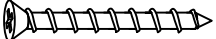
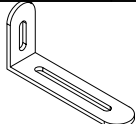



E	×18	J	×18
			



Step 20



D	×2
	
G	×2
	
K	×2
	

Step 21

E	×2
