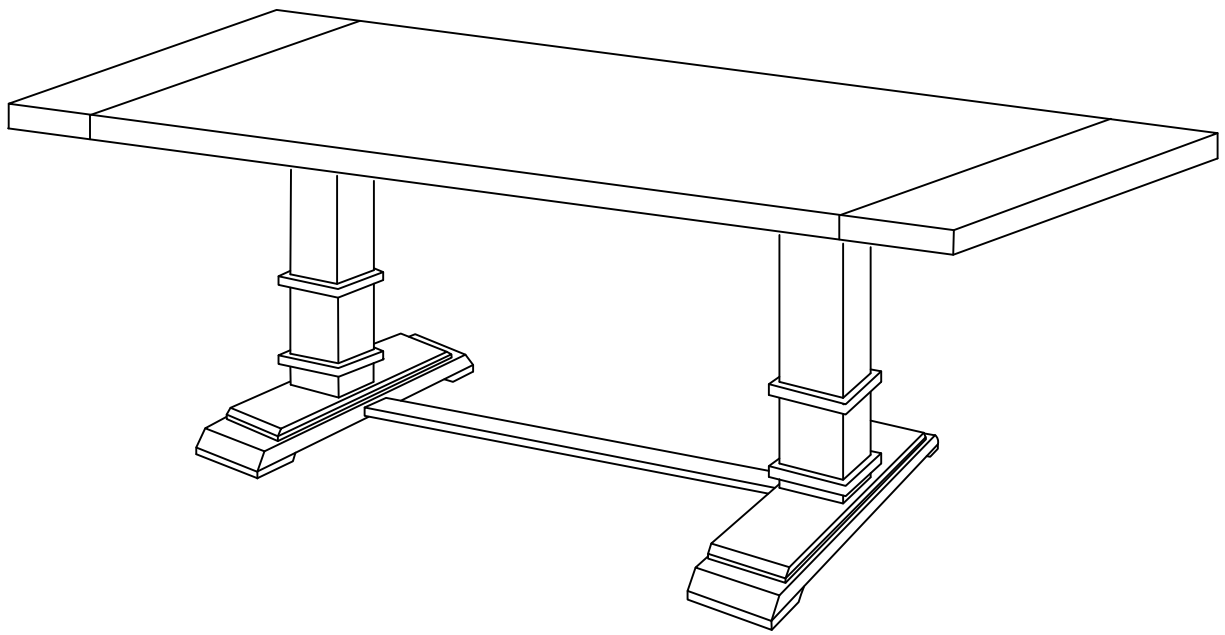

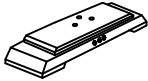






Dining Table

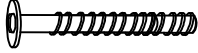
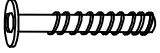
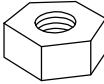
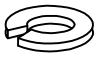
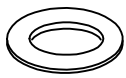





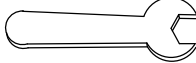

PART LIST

				
<p>Table Top 1 PC</p>	<p>Table leg 2 PCS</p>	<p>Leg Support 1 PC</p>	<p>Pedestal 2 PCS</p>	<p>Pedestal Support 1 PC</p>

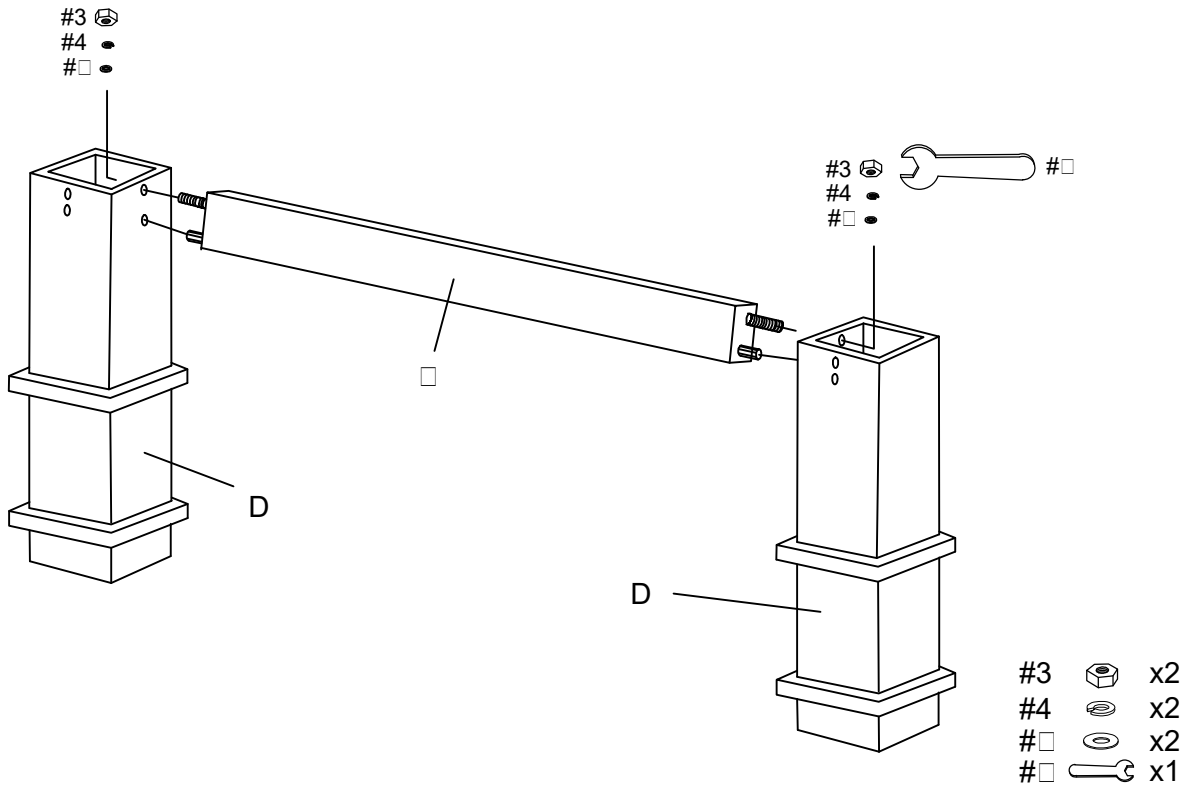

<p>Table Support 4 PCS</p>

HARDWARE LIST

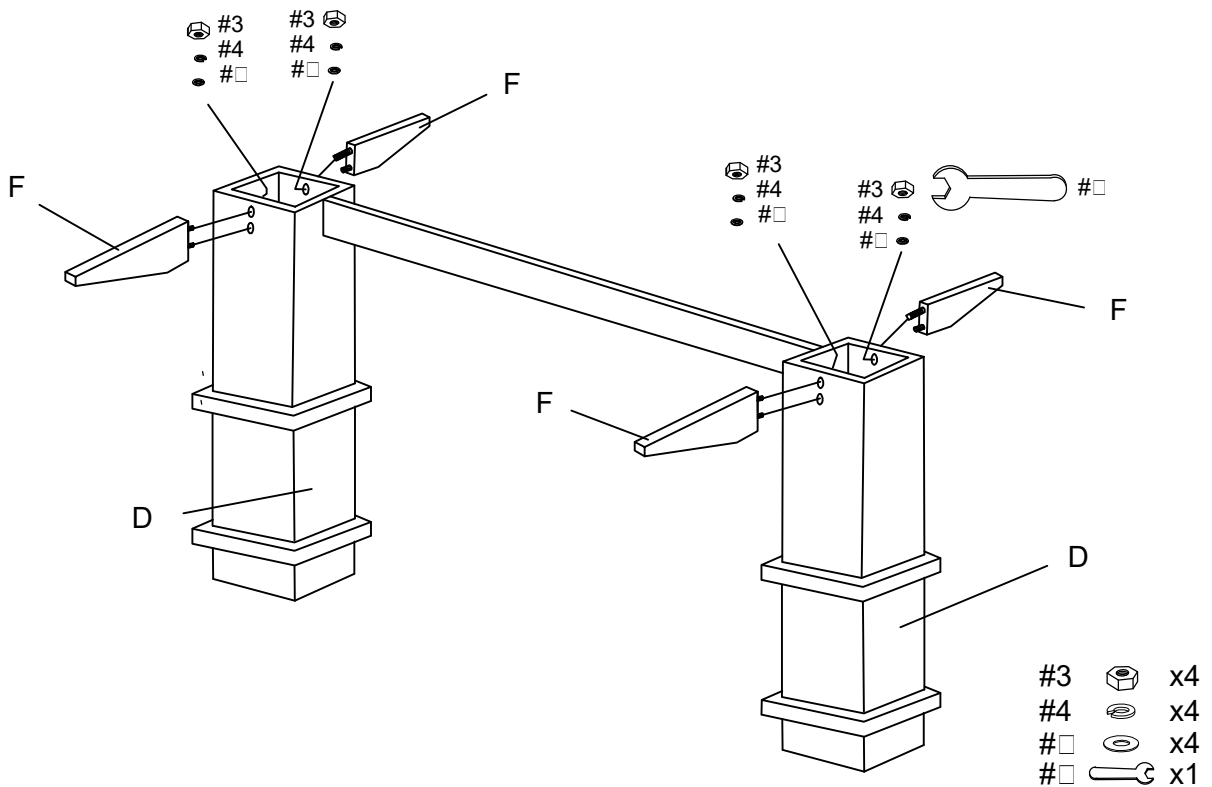
 <p>M6 x 100mm</p>	 <p>M6 x 60mm</p>	 <p>1/2"</p>	 <p>1/2"</p>	 <p>1/2"x1"</p>
<p>Long Bolt 6 PCS (Extra 1)</p>	<p>Short Bolt 2 PCS (Extra 1)</p>	<p>Hex Nut 6 PCS (Extra 1)</p>	<p>Large Spring Washer 6 PCS (Extra 1)</p>	<p>Large Flat Washer 6 PCS (Extra 1)</p>

 <p>1/4"</p>	 <p>1/4"x1"</p>	 <p>M6 x 13mm</p>	 <p>12.8mm</p>	 <p>M6</p>
<p>Spring Washer 1 PCS (Extra 1)</p>	<p>Flat Washer 6 PCS (Extra 1)</p>	<p>Small Flat Washer 2 PCS (Extra 1)</p>	<p>Wrench 1 PC</p>	<p>Allen Wrench 1 PC</p>

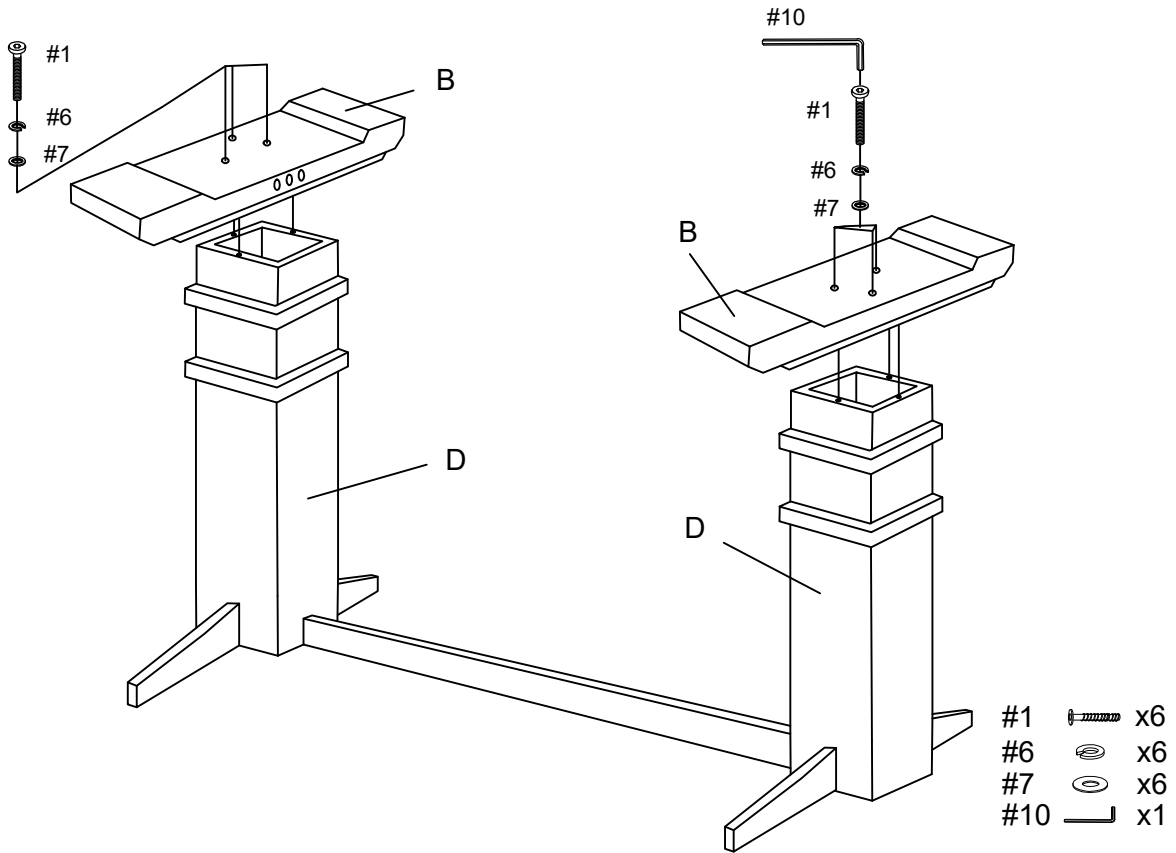
Step 1 . Attach pedestal support (part □) to pedestals (parts D) using large flat washers (part #□), large spring washers (part #4), hex nuts (part #3) and wrench (part #□).



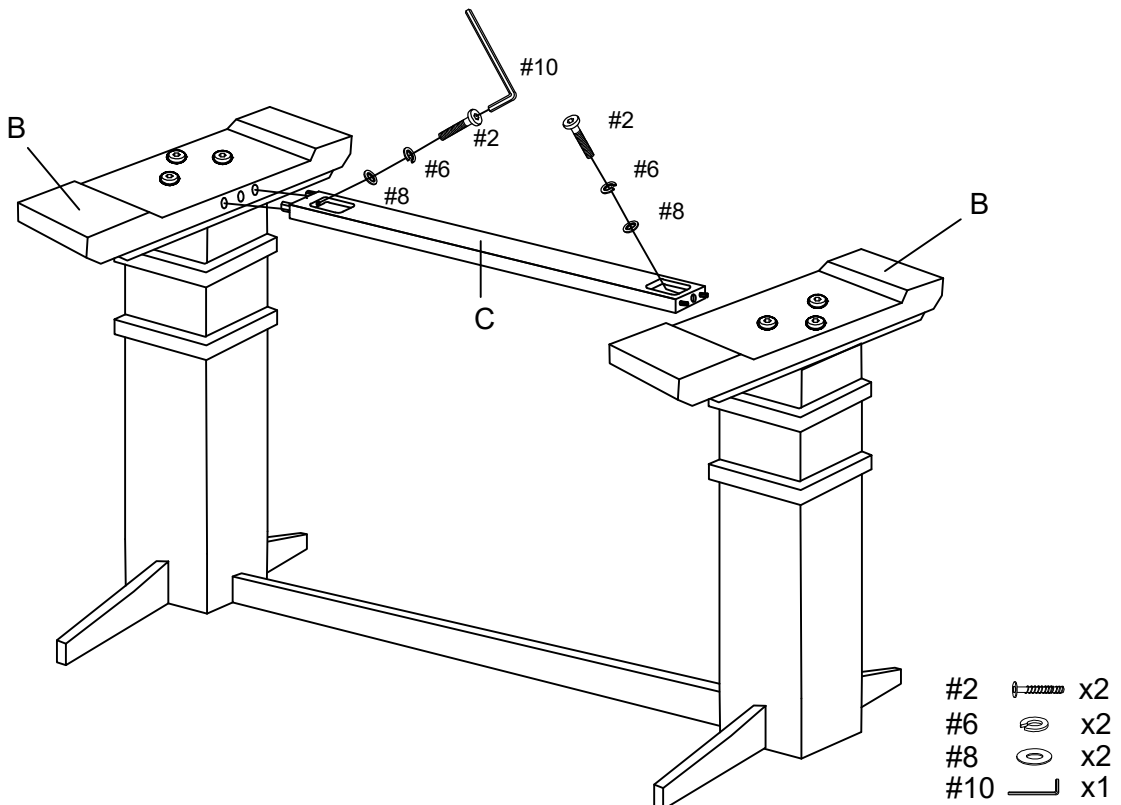
Step 2 . Attach table supports (part F) to pedestals (part D) using large flat washers (part #□), large spring washers (part #4), hex nuts (part #3) and wrench (part #□).



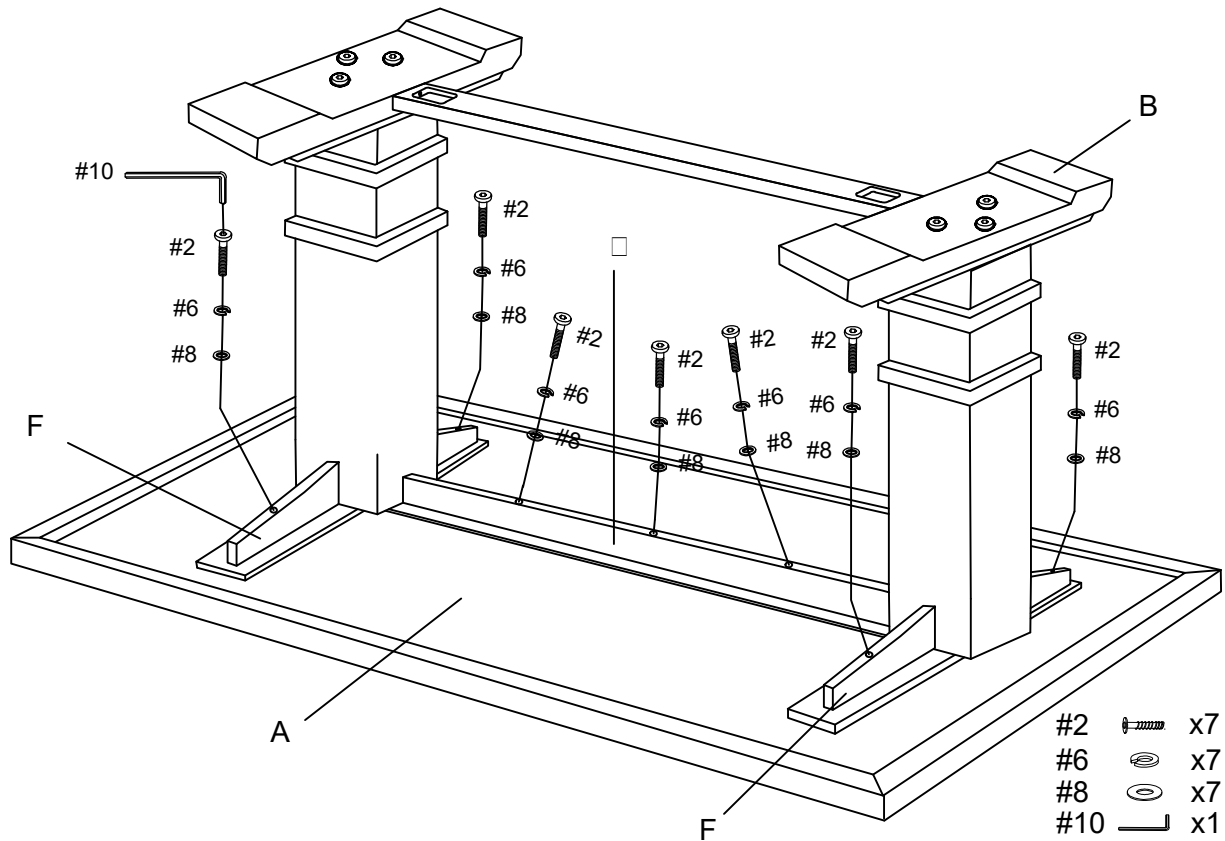
Step 3 . Turn unit upside down. Attach table legs (part B) to pedestals (part D) using flat washers (part #7), spring washers (part #6), long bolts (part #1) and allen wrench (part #10).



Step 4 . Attach leg support (part C) to table legs (part B) using small flat washers (part #8), spring washers (part #6), short bolts (part #2) and allen wrench (part #10).



Step 5. Lay table top (part A) upside down on a soft surface, such as carpet. Attach assembled unit (parts B-F) to table top (part A) using small flat washers (part #8), spring washers (part #6), short bolts (part #2) and allen wrench (part #10).



Step 6. Carefully turn assembled unit upright.

