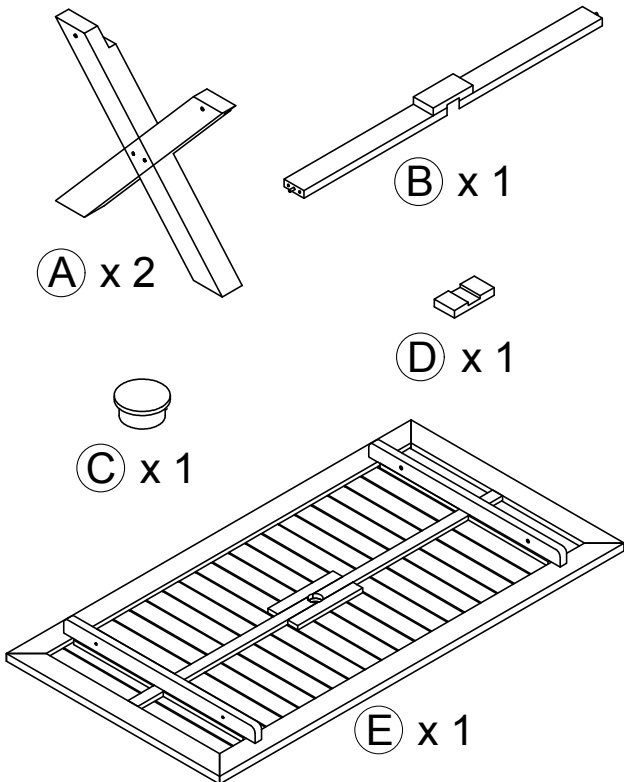
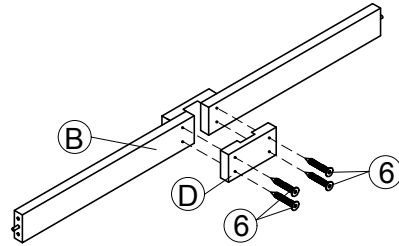


ASSEMBLY INSTRUCTIONS - TABLE

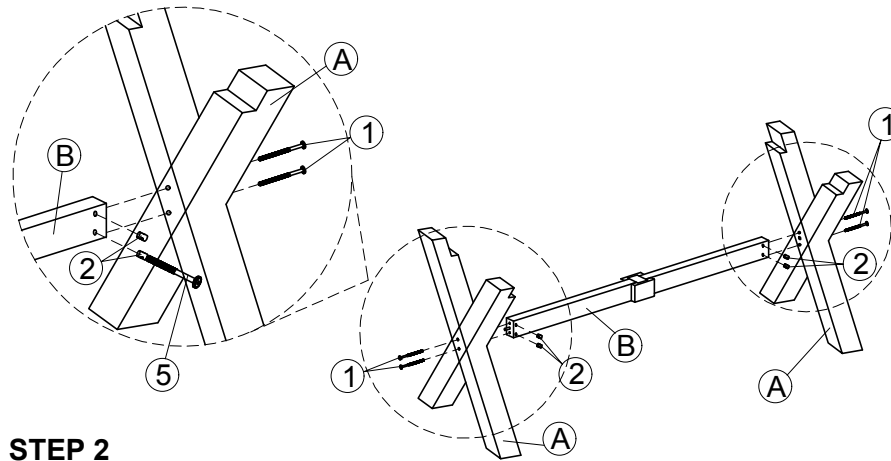
Part	Hardware	Qty.
①	Bolt M6x110	4
②	Insert Nut M6	4
③	Bolt M6x80	4
④	Nut 6x18x15	4
⑤	Bolt M6x40	1
⑥	Screw M4x40	4
⑦	Allen Wrench	1



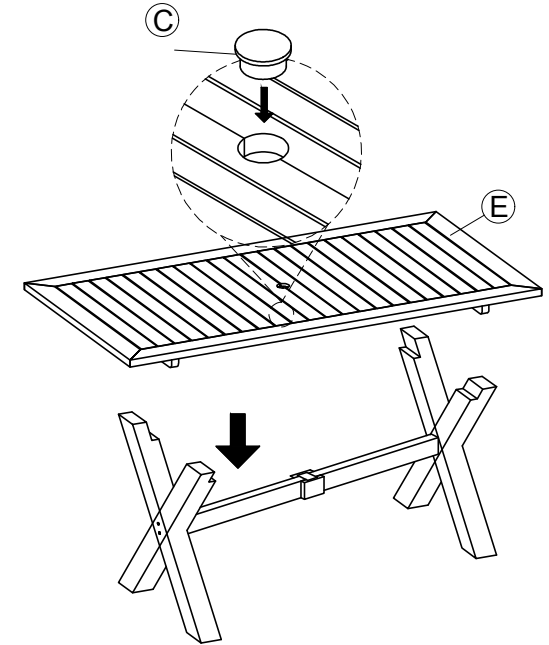
STEP 1



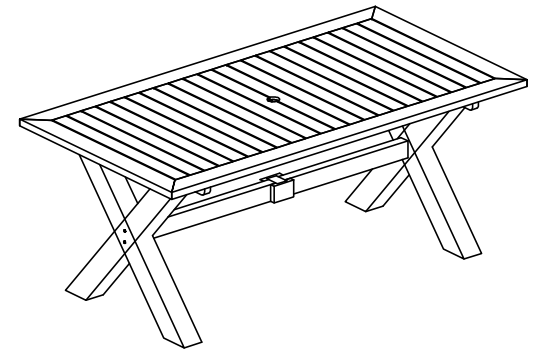
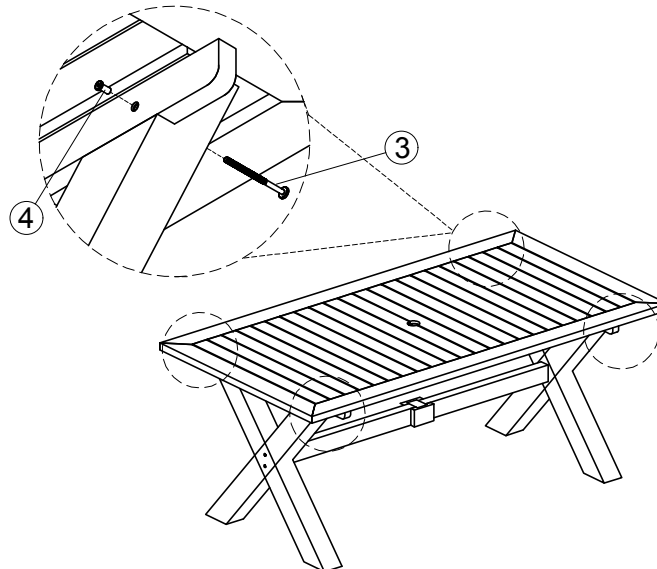
STEP 2








STEP 3

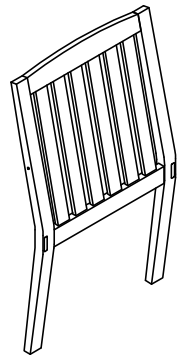


STEP 4

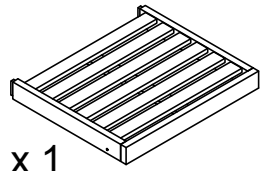


ASSEMBLY INSTRUCTIONS - DINING ARMCHAIR

Part	Hardware	Qty.
①	Screw M7x70 	4
②	Bolt M6x65 	6
③	Washer 6x16x1 	6
④	Bolt M8x65 	4
⑤	Allen Wrench 	1



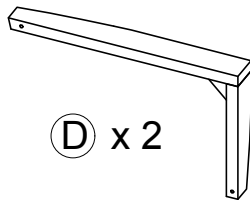
A x 1



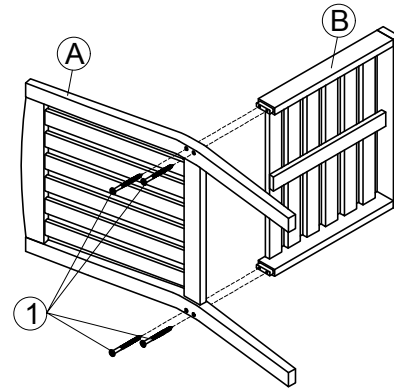
B x 1



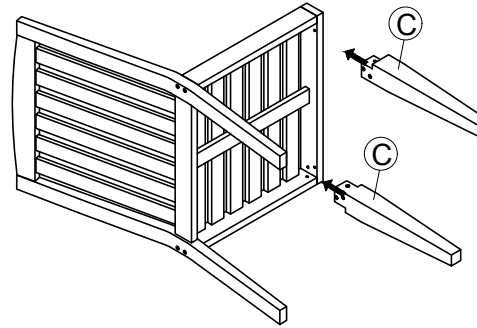
C x 2



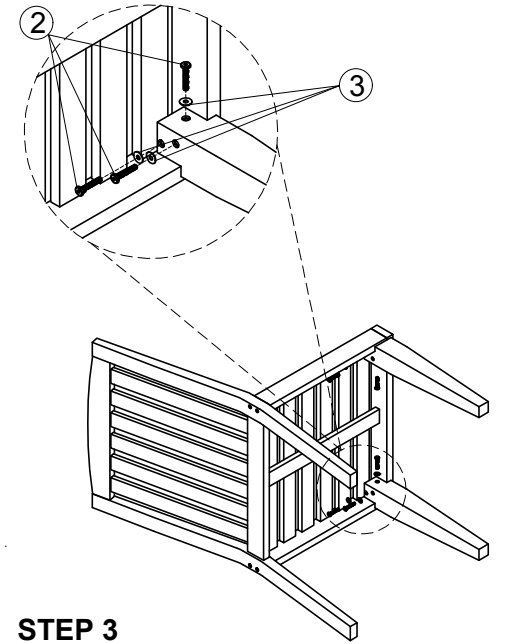
D x 2



STEP 1

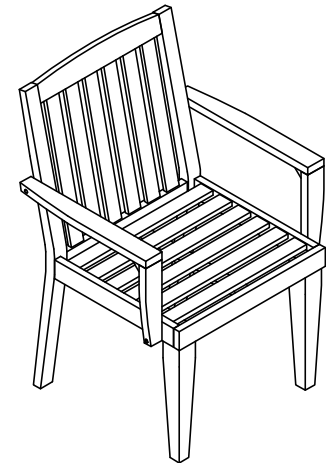
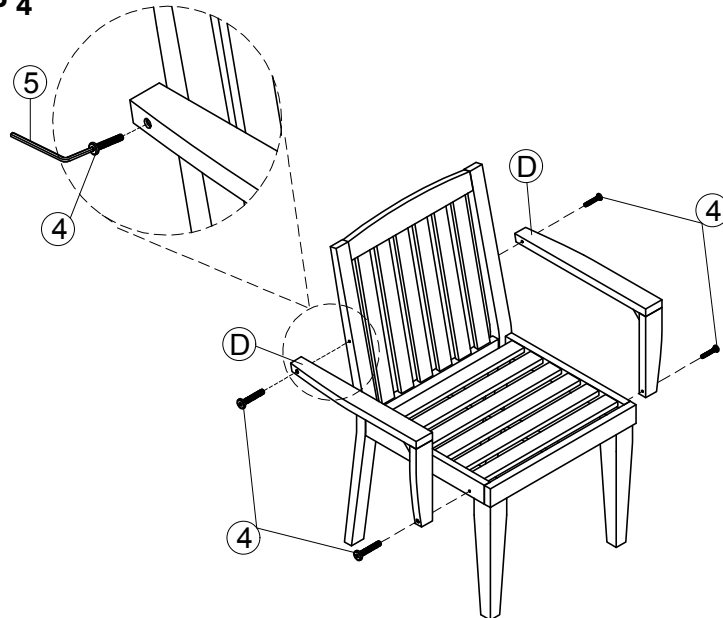


STEP 2







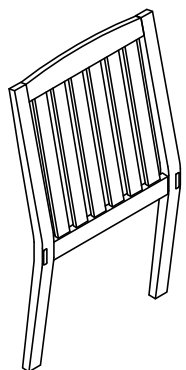
STEP 3

STEP 4

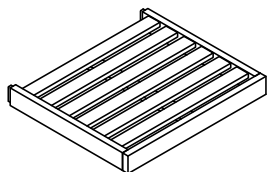


ASSEMBLY INSTRUCTIONS - DINING CHAIR

Part	Hardware		Qty.
①	Screw M7x70		4
②	Bolt M6x65		6
③	Washer 6x16x1		6
④	Allen Wrench		1



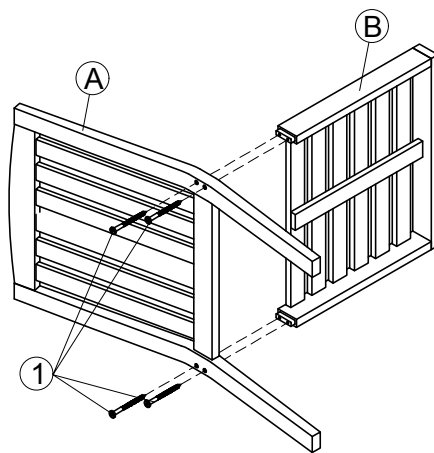
Ⓐ x 1



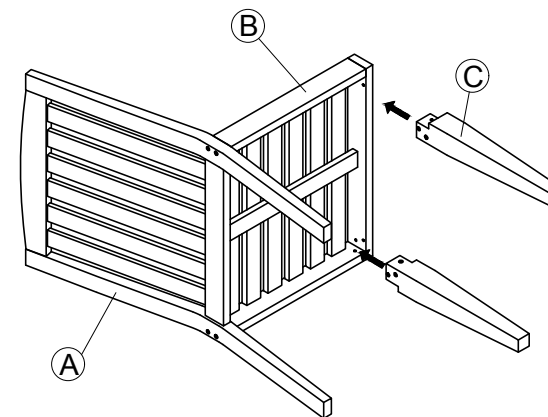
Ⓑ x 1



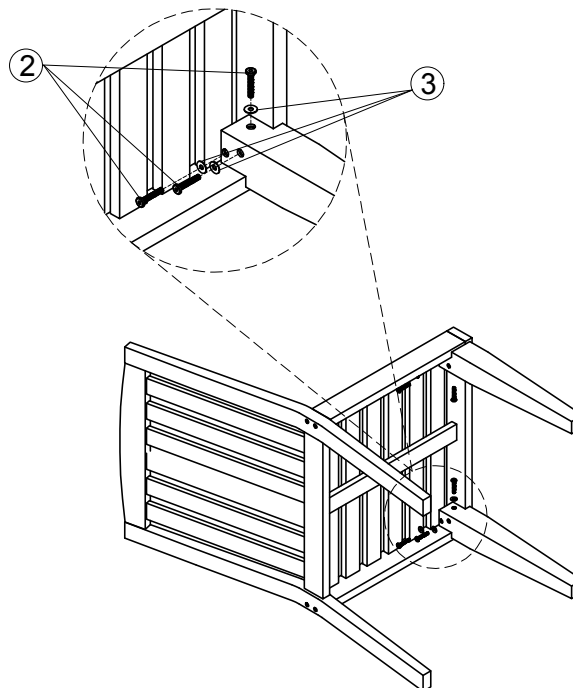
Ⓒ x 2



STEP 1



STEP 2



STEP 3

