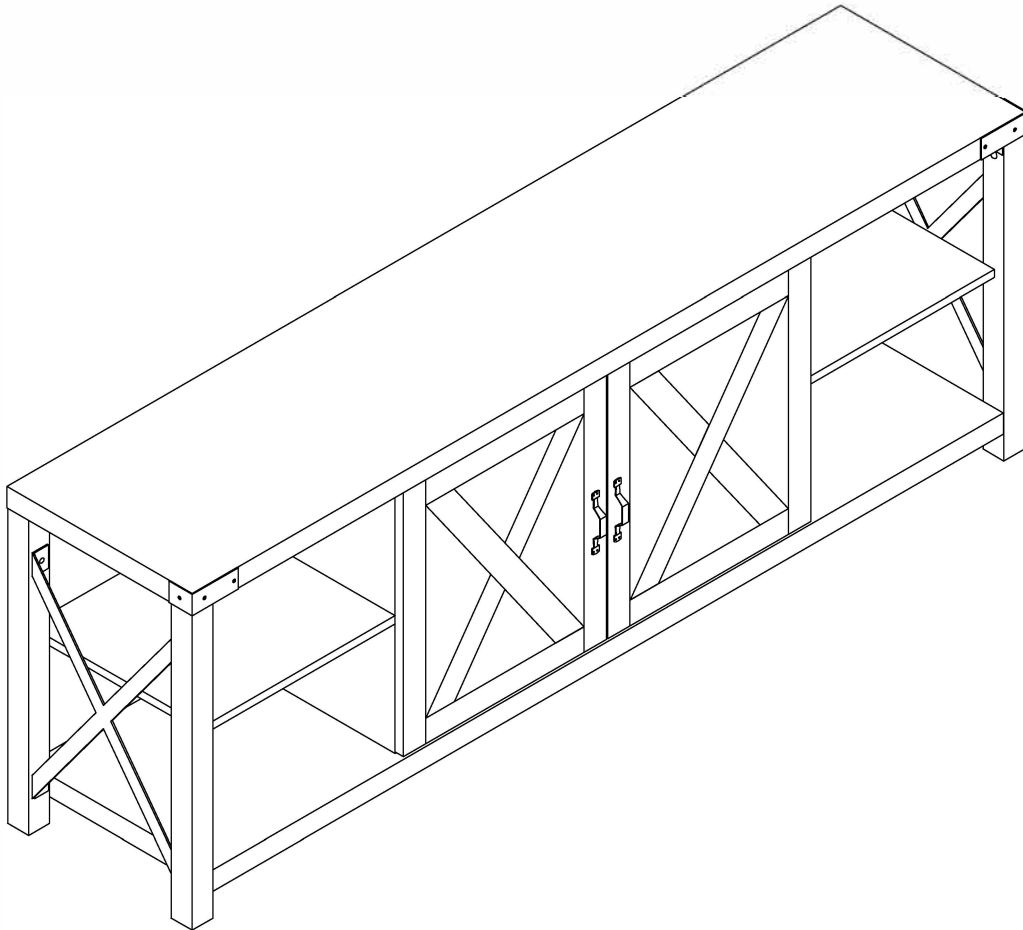


ASSEMBLY INSTRUCTION

MODEL#BM278984

Thank you for purchasing the quality product. Be sure to check all packing material carefully for small parts which may have come loose inside the carton during shipment. Separate, identify and count all parts and metal hardware. Compare with all parts list to be sure all parts are present. If any part(s) are missing or damaged, please contact your local furniture dealer. For efficient and speedy service, please indicate the model number and code letter of part(s) needed.

*****Do not fully tighten screws until fully assembled*****

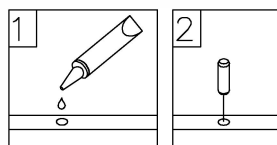


Attention:

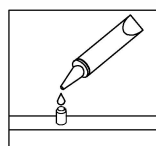
*****Some number parts listed on the instruction sheet may not be in parts bag as they may already be assembled. Carefully check parts and packing materials prior to ordering replacements.**

General Assembly Guidelines

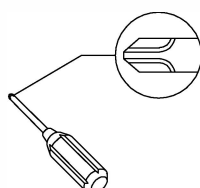
- I. Ensure that all parts and hardware are available before beginning assembly.
- II. Follow each step carefully to ensure the proper assembly of this product.
- III. Two people are recommended for ease in the assembly of this product.
- IV. The three main types of hardware used to assemble this product are: wood dowels, screws and bolts.
- V. The provided glue is to secure wood dowels in place. When first inserting dowels, locate the appropriate hole for the dowel, place a small amount of glue in the hole and insert the dowel. Wipe away excess glue immediately.



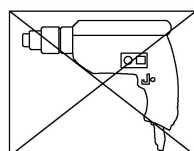
In future assembly steps when dowels are necessary to attach assembly parts together, place a small amount of glue on the end of the dowel before attaching parts together. Wipe away excess glue immediately.



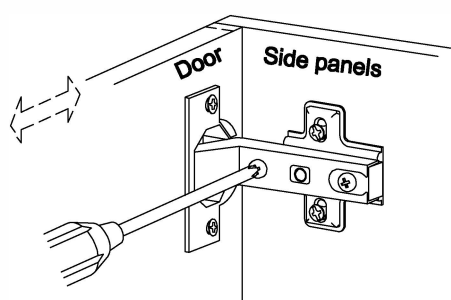
- VI. A Phillips head screwdriver is required for the assembly of this product.



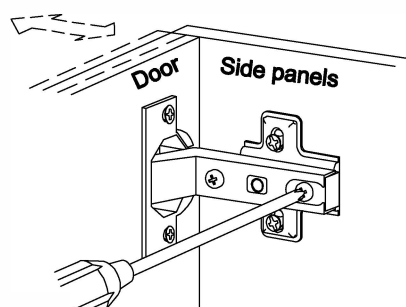
- VII. Power tools should not be used to assemble this product.



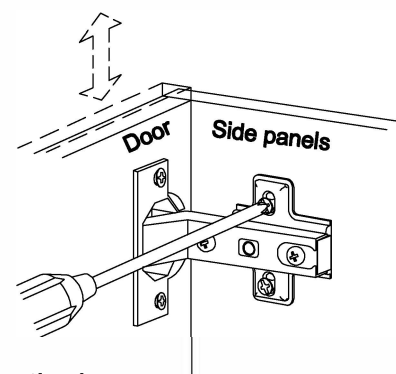
- VIII. Concealed hinges are three-way adjustable.



Horizontal
by screw adjustment

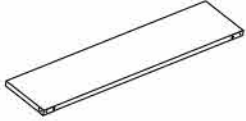
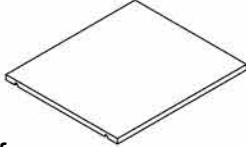
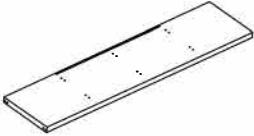
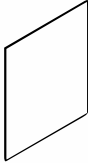
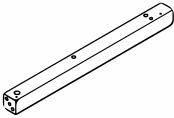
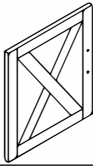
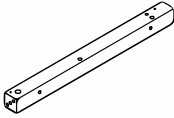
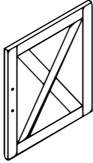
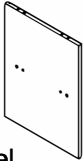
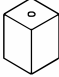
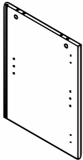

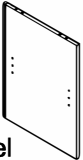
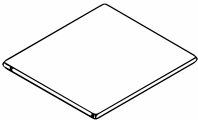
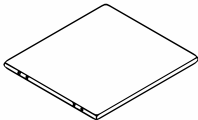


In-and-Out
by loosening the hinge-arm
mounting screw or via cam
adjustment









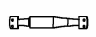











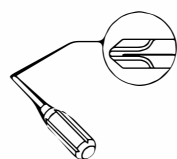
Vertical
Via slots in the mounting
plate or via cam adjustment

COMPONENT PARTS

DESCRIPTION	PART NAME	QTY(PCS)	DESCRIPTION	PART NAME	QTY(PCS)
①	 Table Top	1	⑩	 Shelf	2
②	 Table Bottom	1	⑪	 Back Panel	2
③	 Legs	2	⑫	 Door	1
④	 Legs	2	⑬	 Door	1
⑤	 Left Side Panel	1	⑭	 Support Legs	3
⑥	 Right Side Panel	1	⑮	 Metal Tube	2
⑦	 Middle Side Panel	1			
⑧	 Shelf	1			
⑨	 Shelf	1			

Hardware List

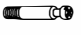
A		Ø8x30mm	Wooden dowel	28 pcs
B		Ø6x35mm	Cam bolt	22 pcs
C		Ø15x11mm	Cam lock	22 pcs
D			Sticker	22 pcs
E		Ø6x70mm	Screw	6 pcs
F			Hinge	4 pcs
G		4mm	Allen Key	1 pcs
H			Glue tube	1 pcs
I			Handle	2 pcs
J		Ø3.5x14mm	Screw	16 pcs
K			Plastic wedge	8 pcs
L		Ø3x18mm	Screw	8 pcs
M		Ø8x5x16mm	Shelf support pin	8 pcs
N		Ø4x22mm	Screw	4 pcs
O		Ø1/4"x12mm	Bolt	8 pcs
P			Bolt	3 pcs
Q			Corner code	8 pcs
R		Ø3.5x14mm	Screw	16 pcs

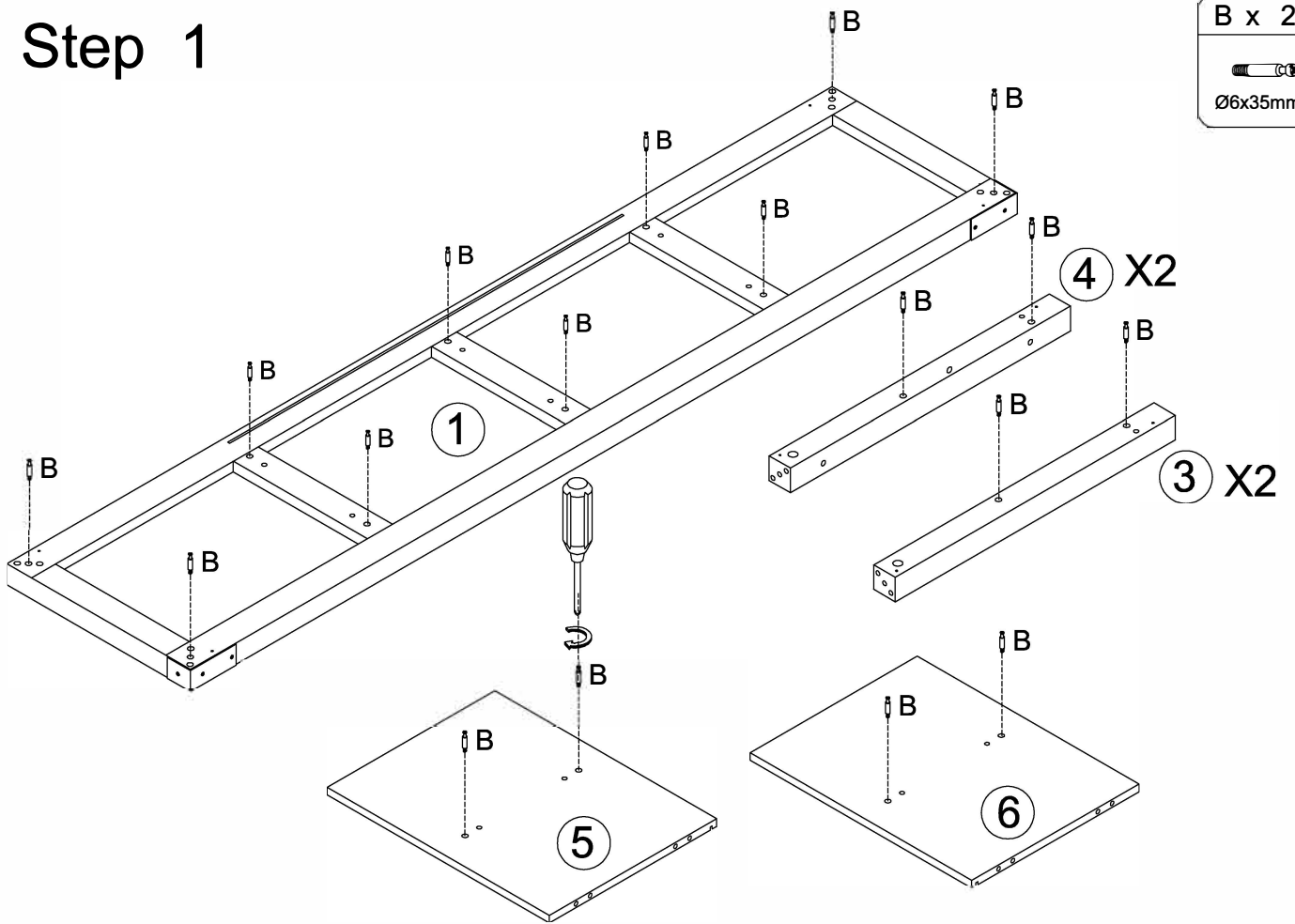


Philips head screwdriver required for assembly
(not included)





*The hardware quantities listed above are required for proper assembly.
Some extra hardware may also have been included.*

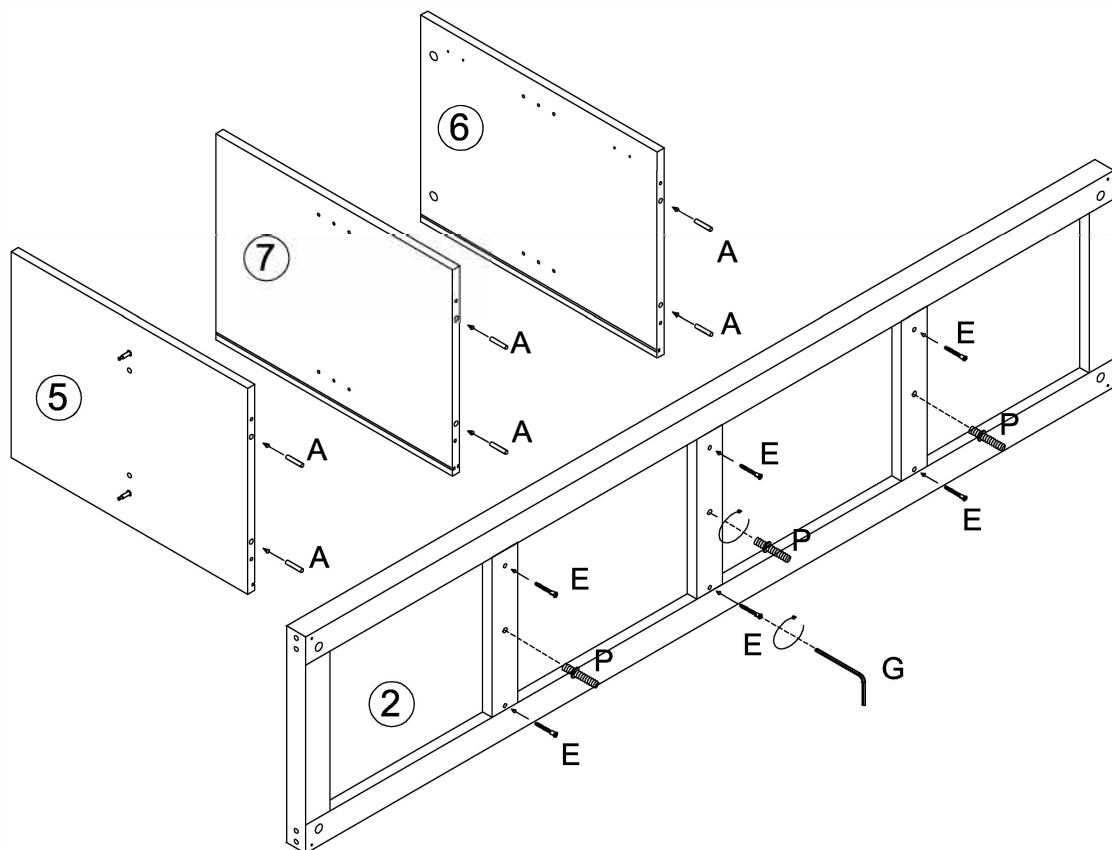
Step 1

B x 22

 Ø6x35mm





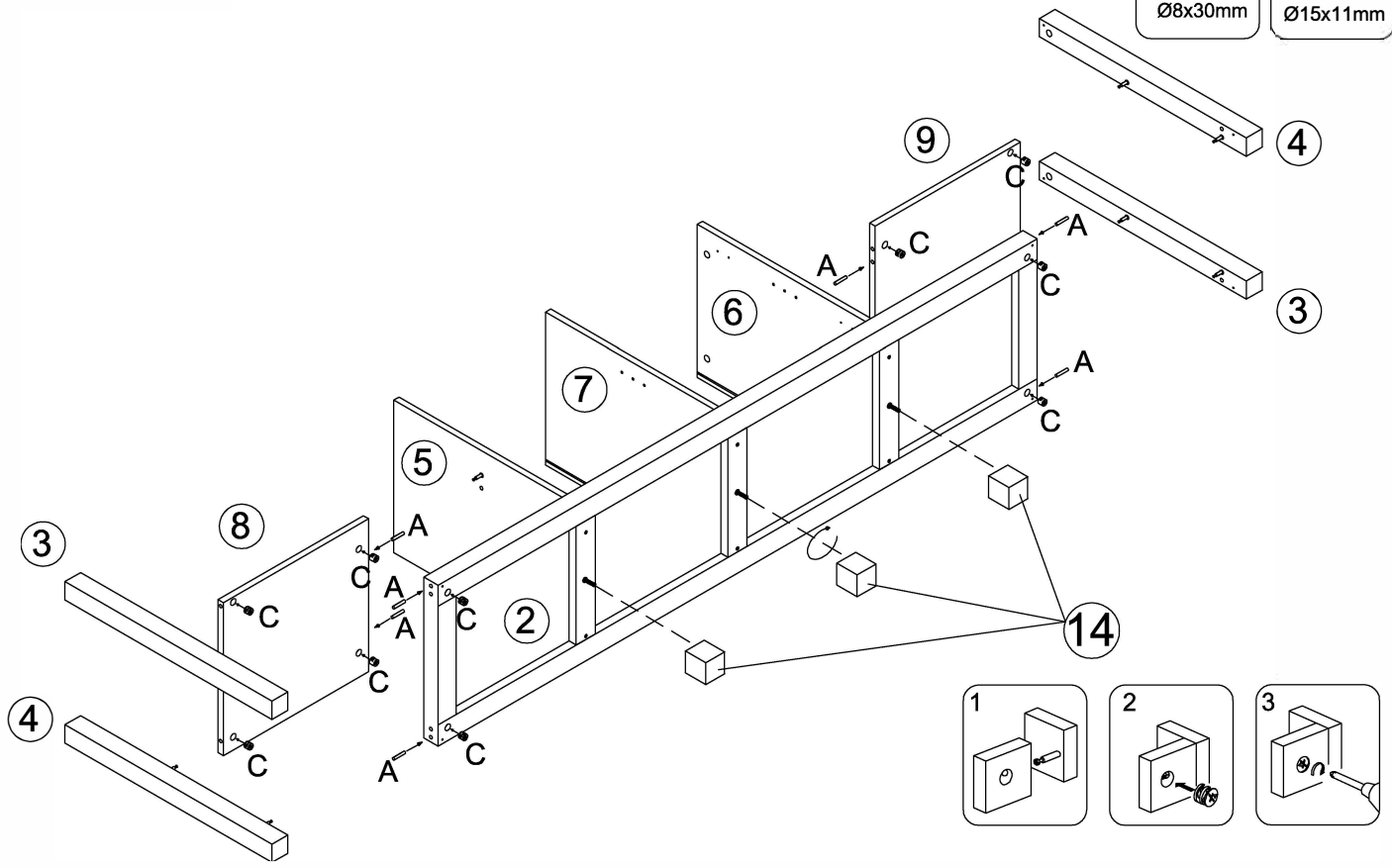
Step 2

A x 6  Ø8x30mm	E x 6  Ø6x70mm	G x 1  4mm	P x 3 
--	--	--	---

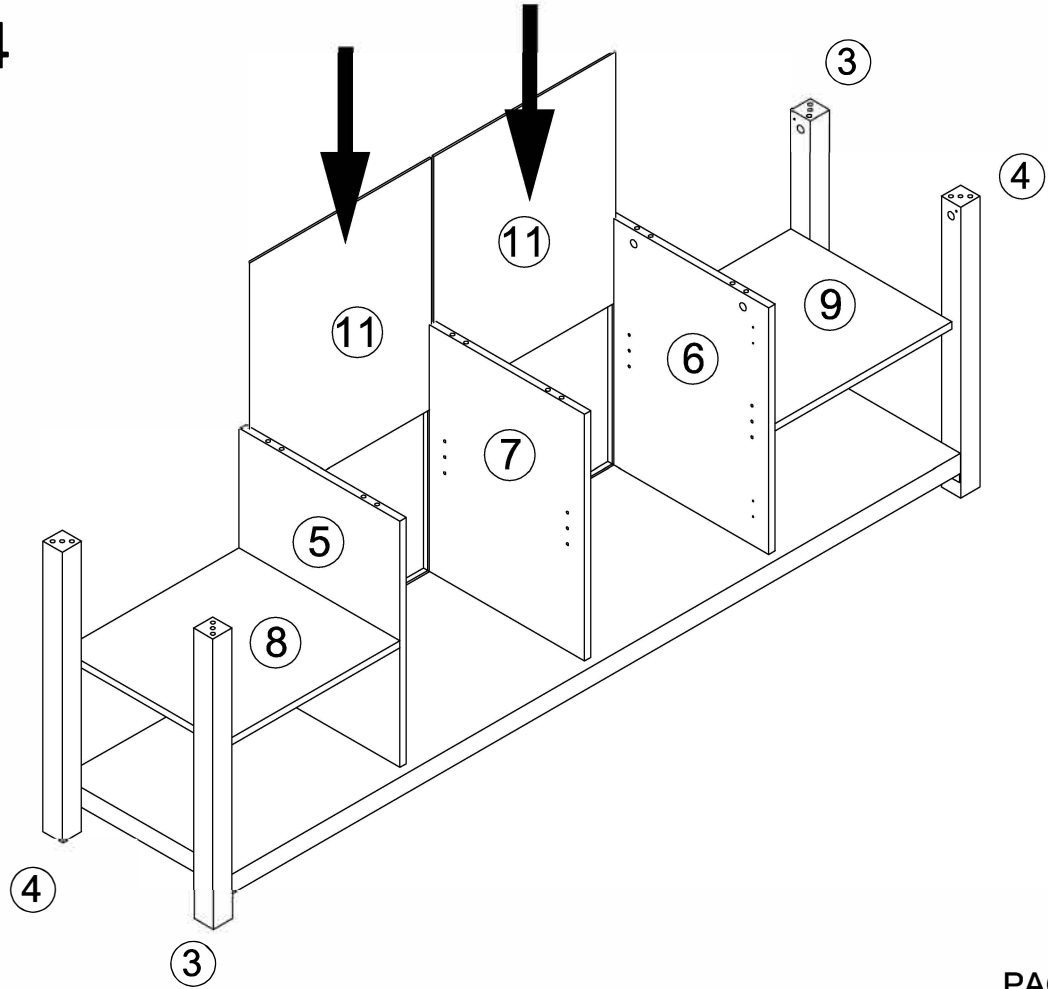


Step 3



A x 8	C x 12
	
Ø8x30mm	Ø15x11mm

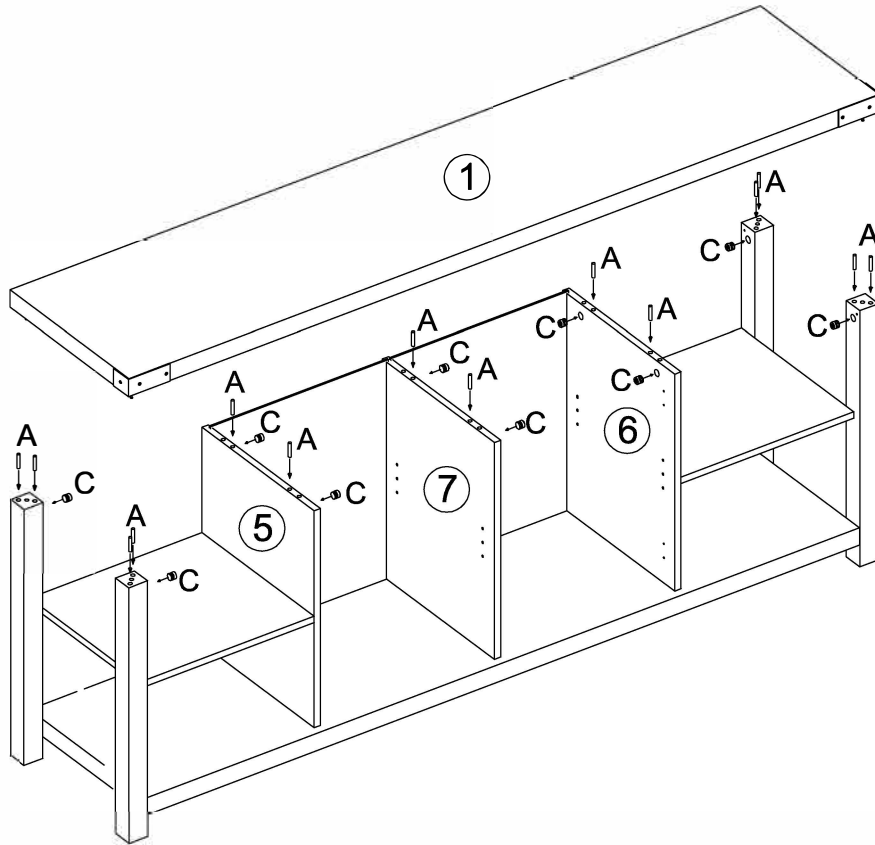


Step 4





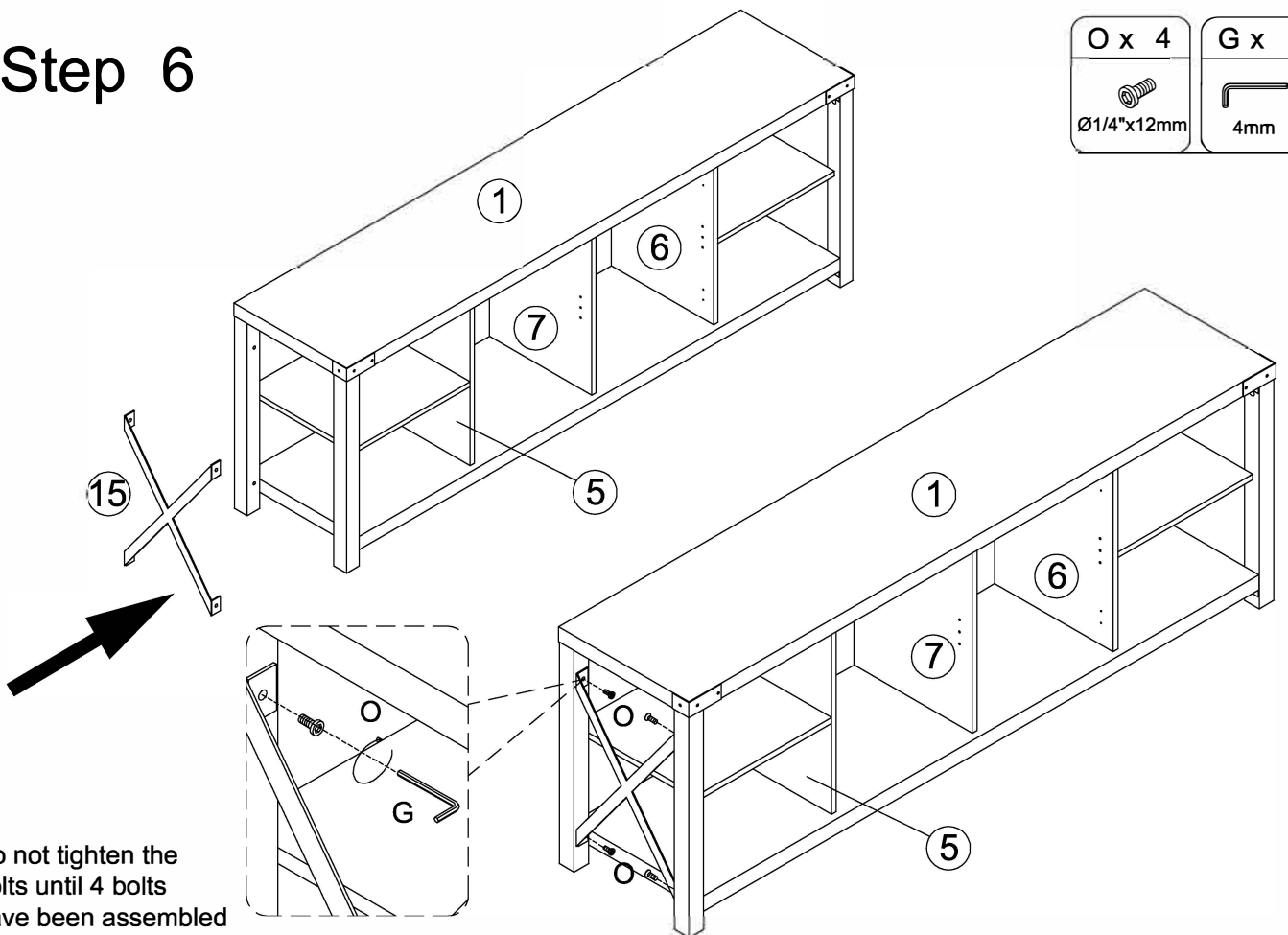
Step 5

A x 14	C x 10
	
Ø8x30mm	Ø15x11mm





Step 6

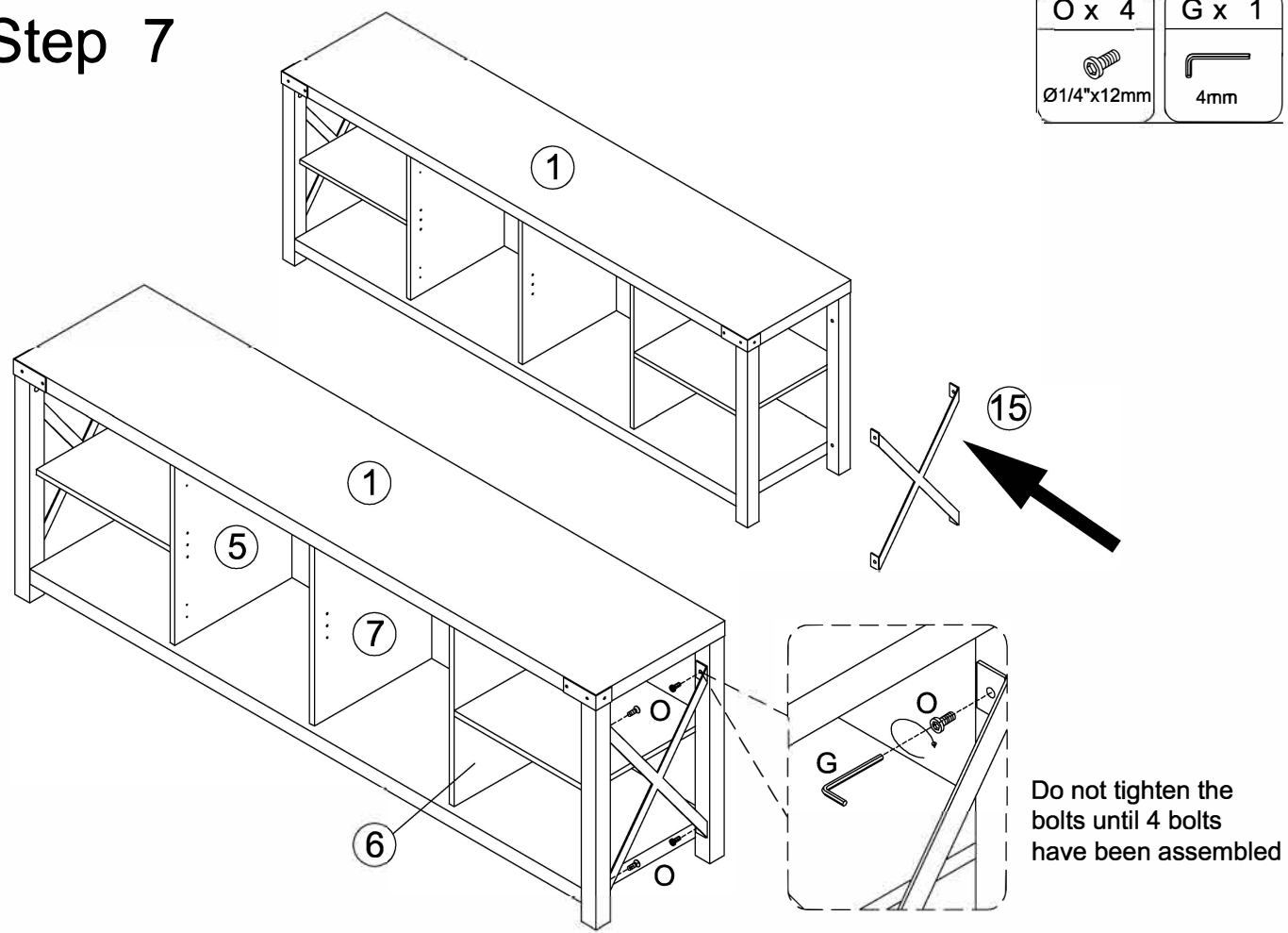
O x 4	G x 1
	
Ø1/4"x12mm	4mm





Do not tighten the bolts until 4 bolts have been assembled

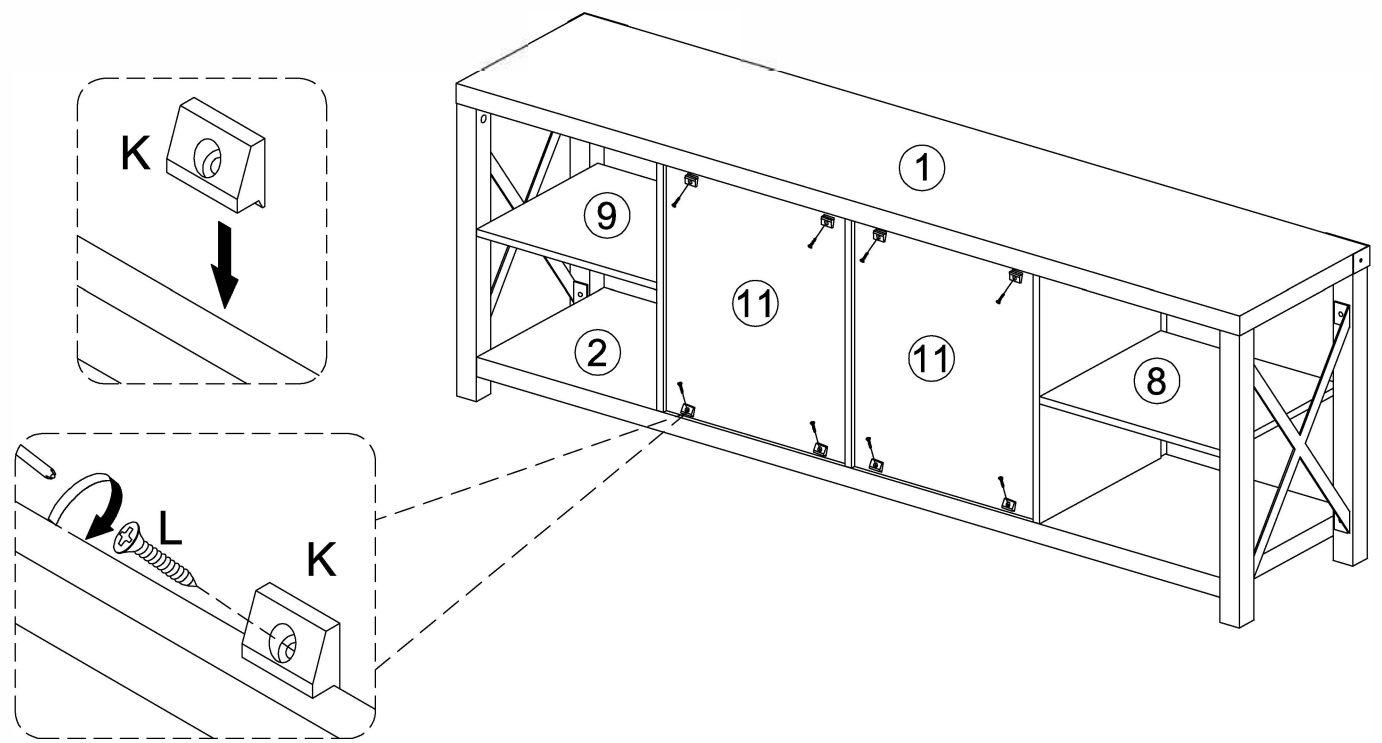
Step 7

O x 4	G x 1
	
Ø1/4"x12mm	4mm



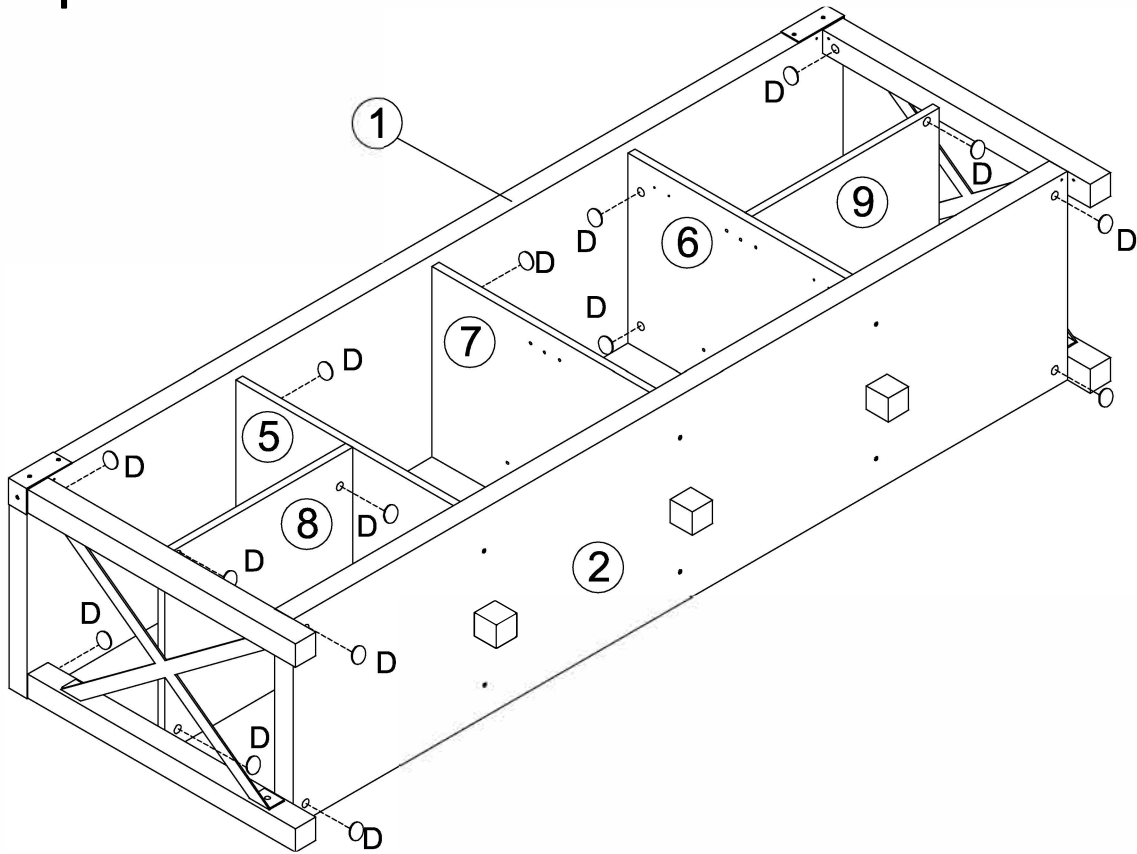
Step 8

K x 8	L x 8
	
	Ø3x18mm



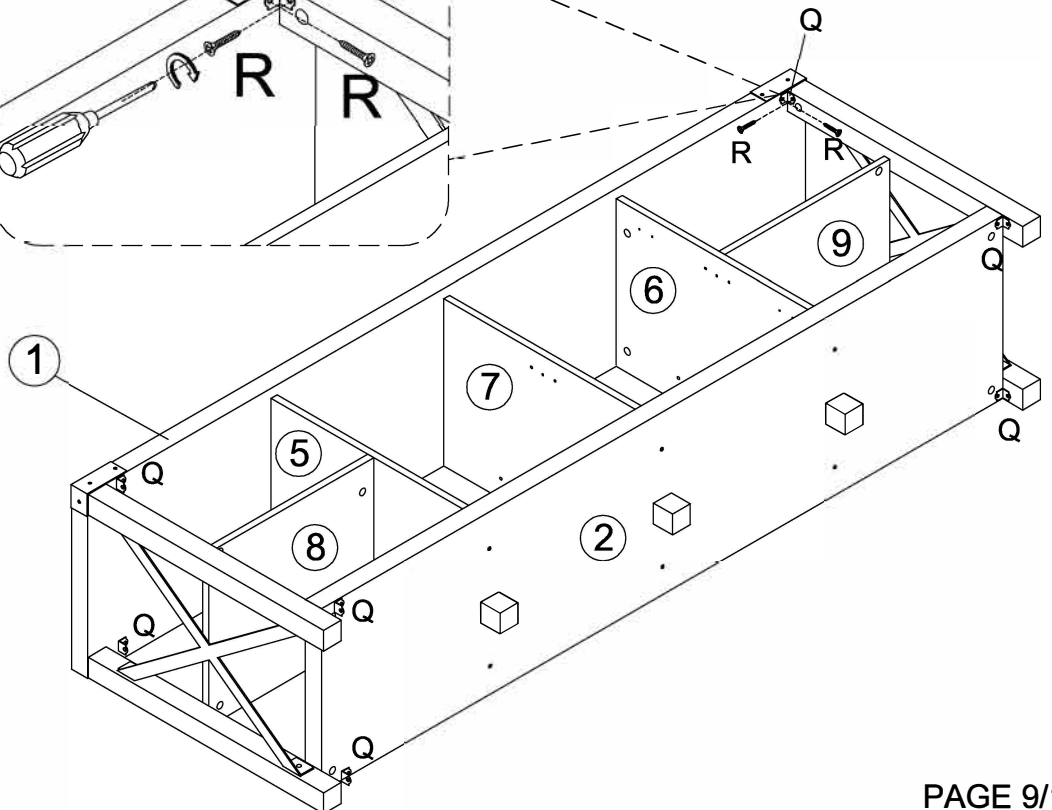
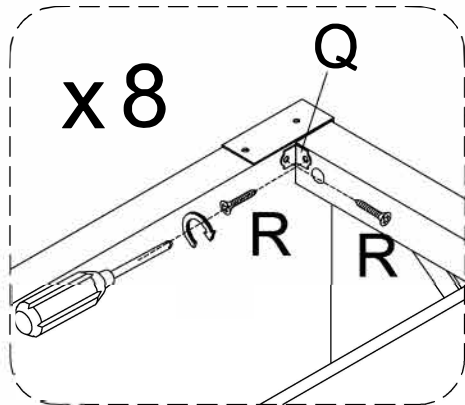
Step 9

D x 22
0



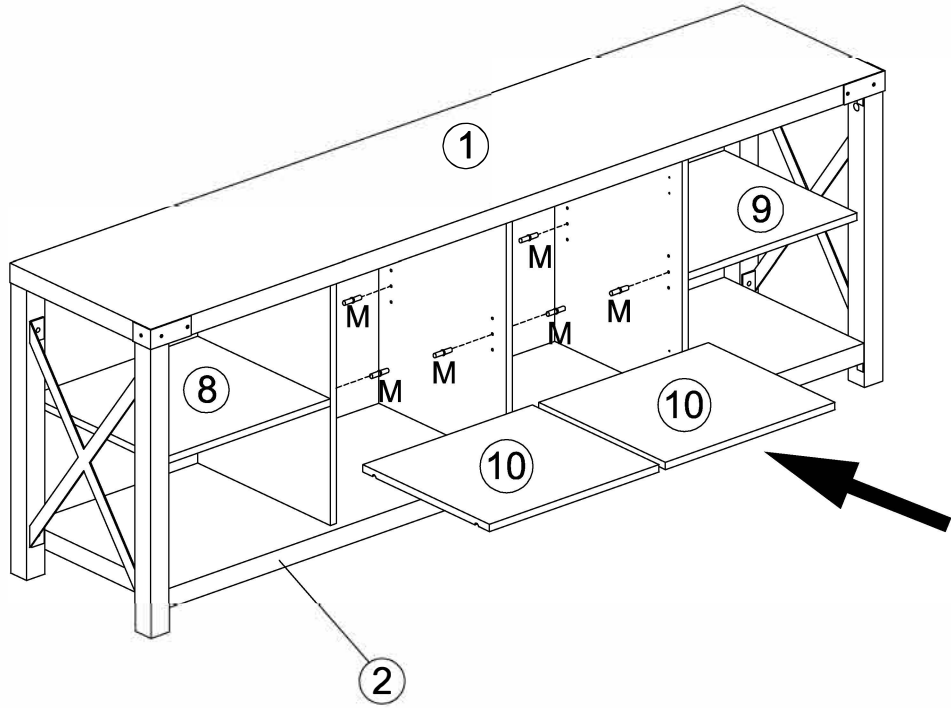

Step 10

Q x 8
R x 16
Ø3.5x14mm



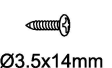



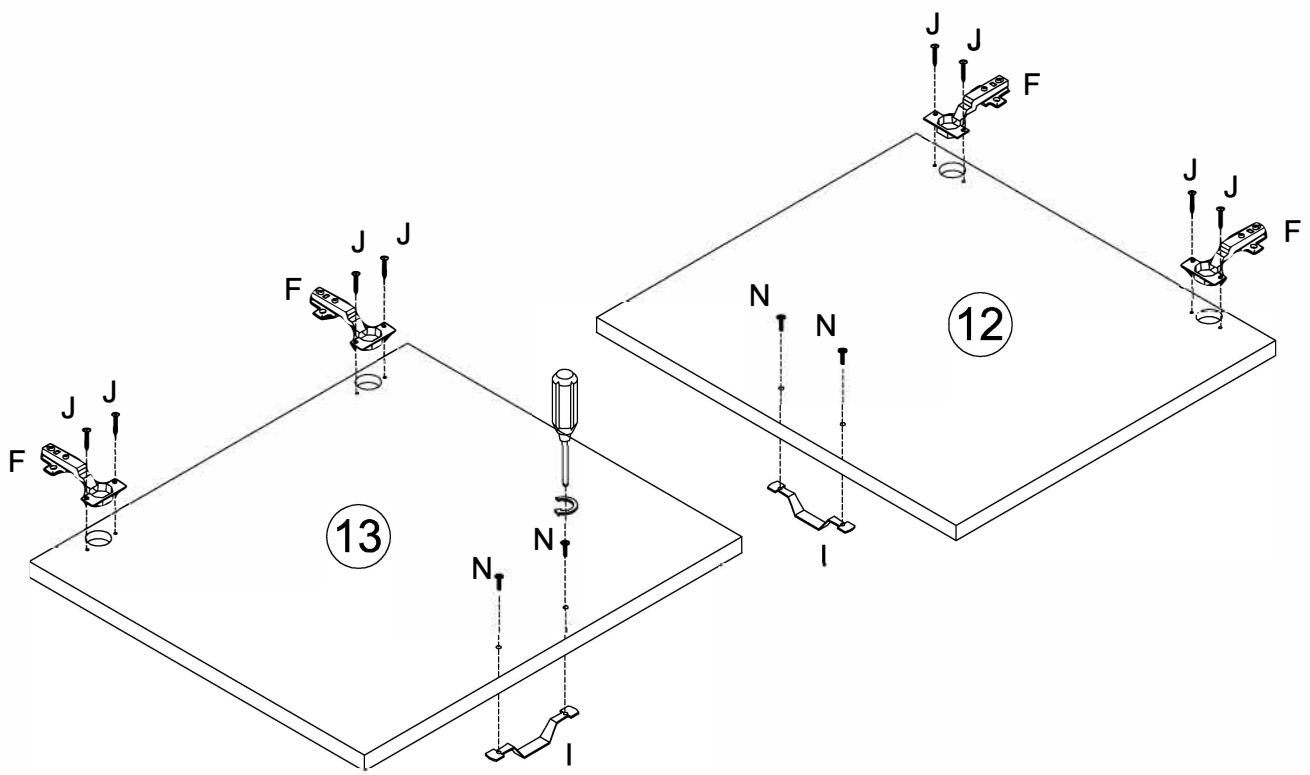
Step 11

M x 8





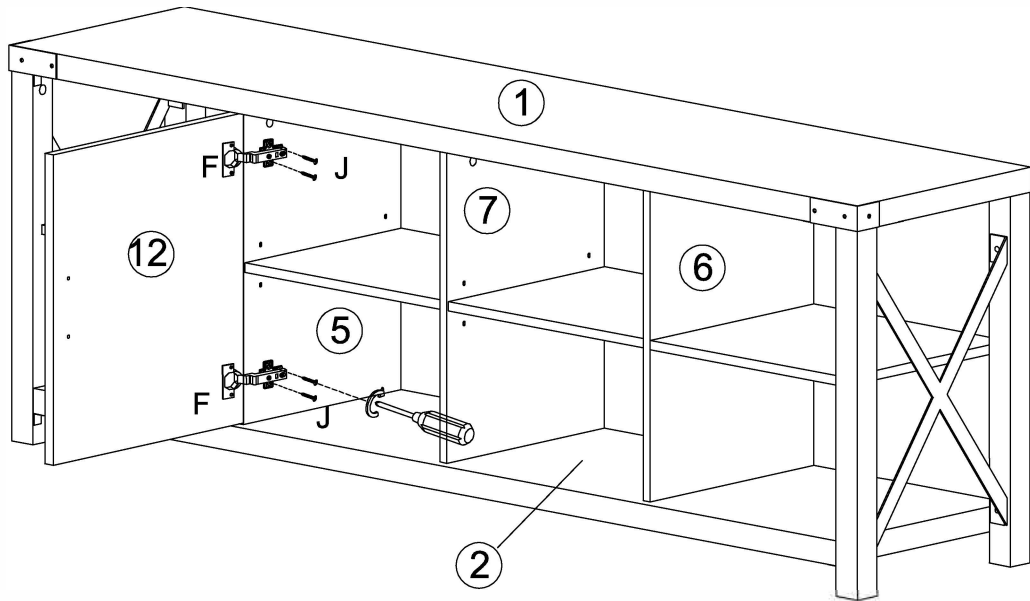
Step 12

F x 4	I x 2	J x 8	N x 4
		 Ø3.5x14mm	 Ø4x22mm





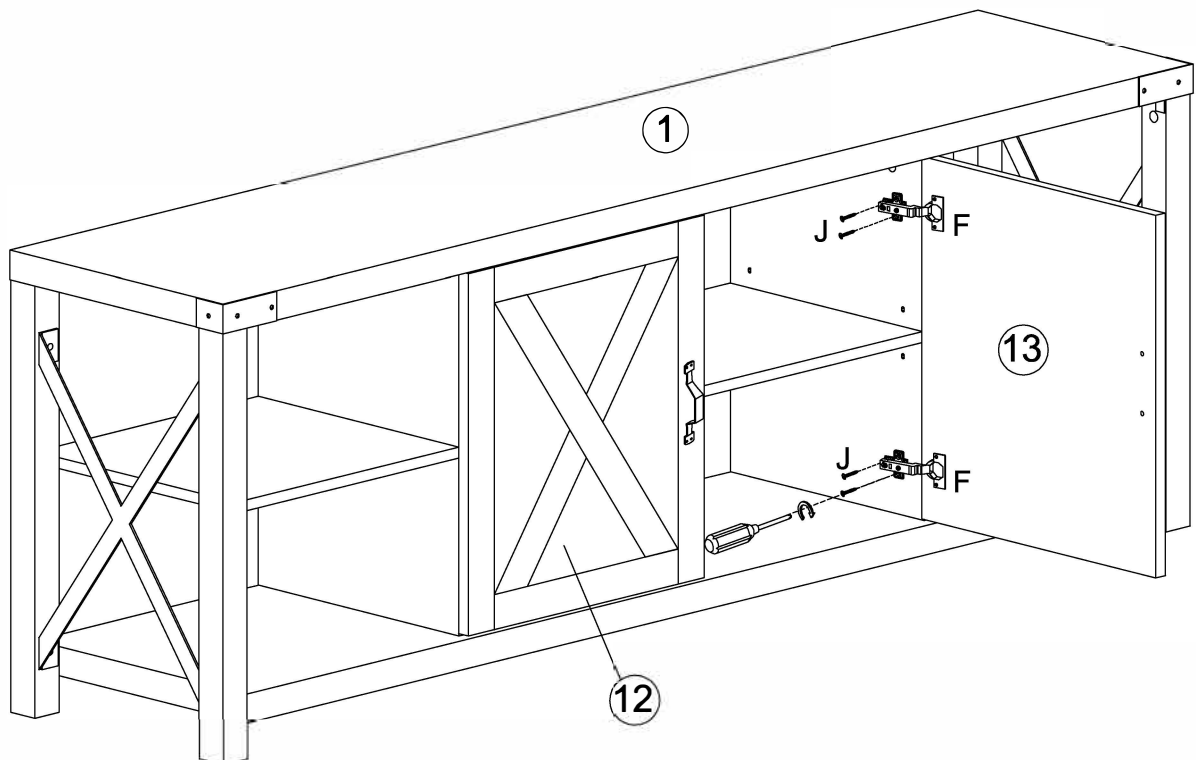
Step 13

F x 2	J x 4
	
	Ø3.5x14mm



Step 14

F x 2	J x 4
	
	Ø3.5x14mm



Step 15

