

SAMPSON 401207-LED

PENDANTS

PROJECT



401207BK-LED
Black



401207WH-LED
White

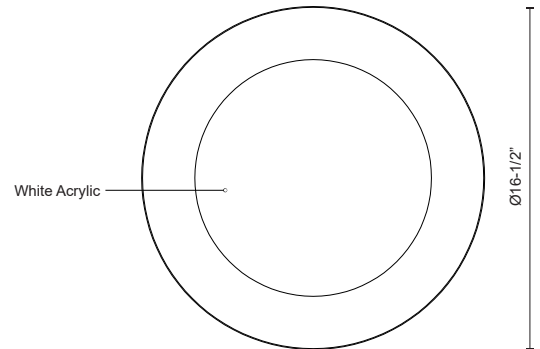
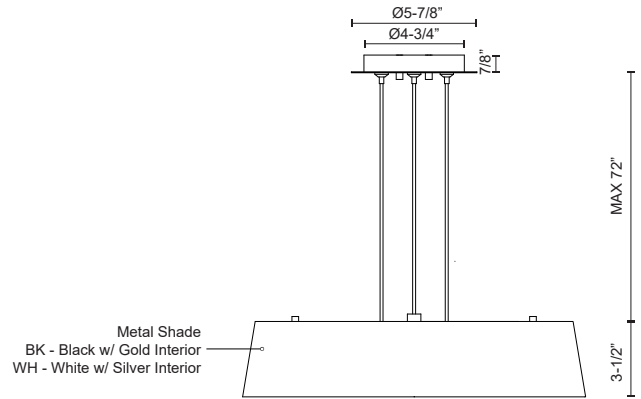
SPECIFICATION DETAILS

* For custom options, consult factory for details.

Fixture Dimensions	D16-1/2" x H3-1/2"
Light Source	AC LED Module
Wattage	24W
Total Lumens	1600lm
Delivered Lumens	BK-957lm; WH-975lm;
Voltage	120V
Color Temperature	3000K
CRI (Ra)	90CRI
Optional Color Temps	2700K - 5000K Available, Minimum Order Quantities Apply
LED Rated Life	50,000 hours
Dimming	100% - 10%, ELV Dimmer (Not Included)
Diffuser Details	White Acrylic Diffuser
Shade Details	Spun Aluminum Shade
Adjustable	Yes
Wire Length	72" Max
Wire Type	Clear SVT Cord
Location	Dry
Compliance	Energy Star; T24-JA8;
Warranty	5 Years
CEC Title 24 JA8	Yes, JA8-19
Energy Star Certified	Energy Star Compliant
Canopy Dimensions	D5-7/8" x H7/8"

DESCRIPTION

The Sampson pendant envelops a luminous opal dome that casts light down and outward, showcasing the metallic inner shade coating. Contrasting the powder-coated interior the substantial surfaces of the drum exterior are matte, emphasizing the visual impact of the lamp. Available in two curated color combinations, Black with Gold or White with Silver.



COMMENT

KUZCO

19054 28TH AVENUE
SURREY - BC V3Z 6M3
CANADA

WWW.KUZCOLIGHTING.COM

