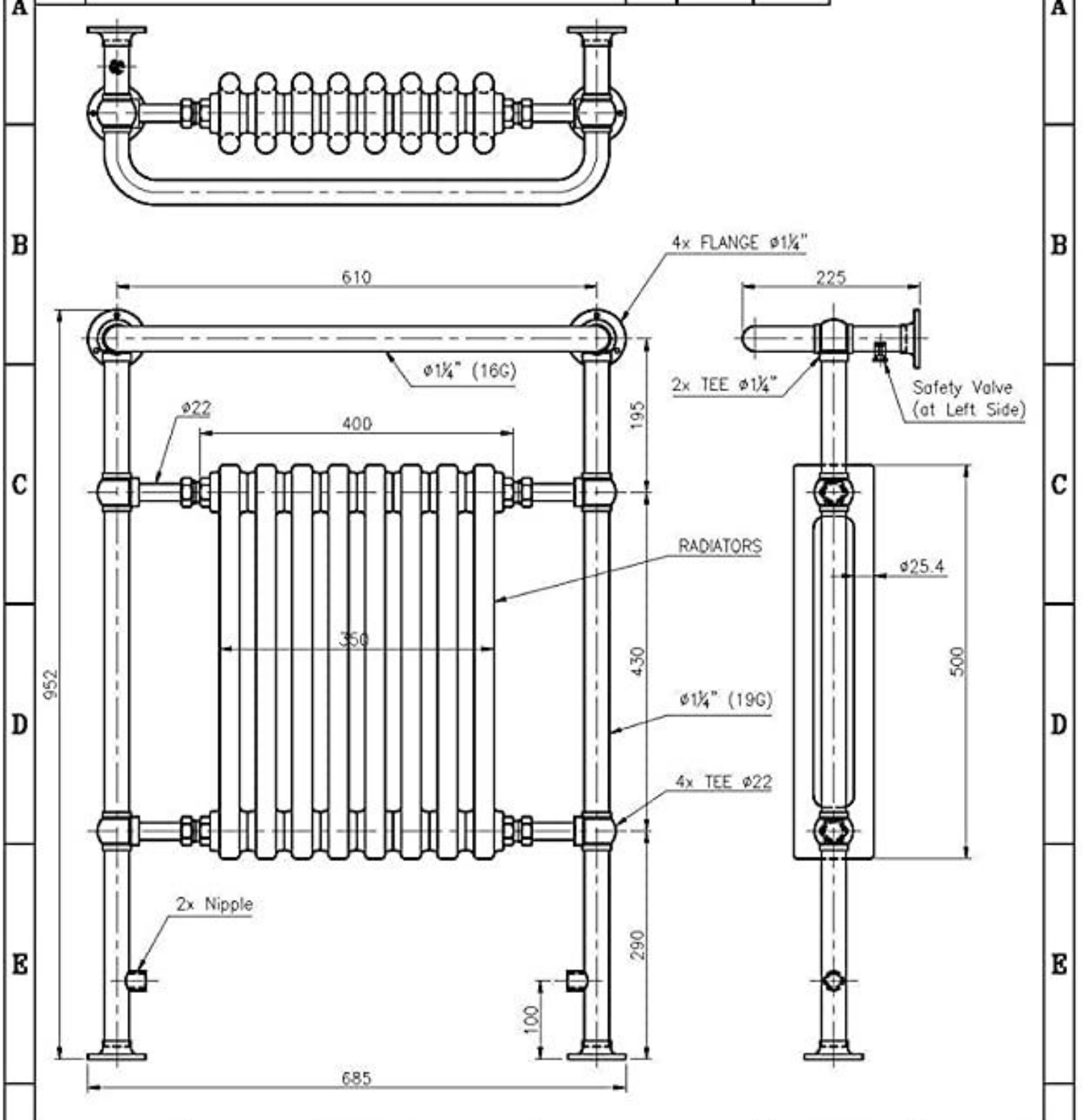



1	2	3	4
REV.NO.	REVISION	ZONE	SIGN. DATE



R.M. WEIGHT	-	MATERIAL: -	DRG. NO.-	SCALE: NTS	
	FINISH WEIGHT			-	
DRAWN		CHKD.		TITLE: CR-1 (WHITE RADIATOR) (952x685)	
APPD.		DATE	17-01-2009		

DRG. NO.	KT	KS	KL	KN	KO	KP	KQ	KR	KS	KT	KU	KV	KW	KX	KY	KZ
REV. NO.	0.025	0.05	0.1	0.2	0.4	0.6	1.0	1.6	2.5	4.0	6.3	10.0	16.0	25.0	40.0	63.0
SYMBOL	W	W	W	W	W	W	W	W	W	W	W	W	W	W	W	W

1	2	3	4
---	---	---	---