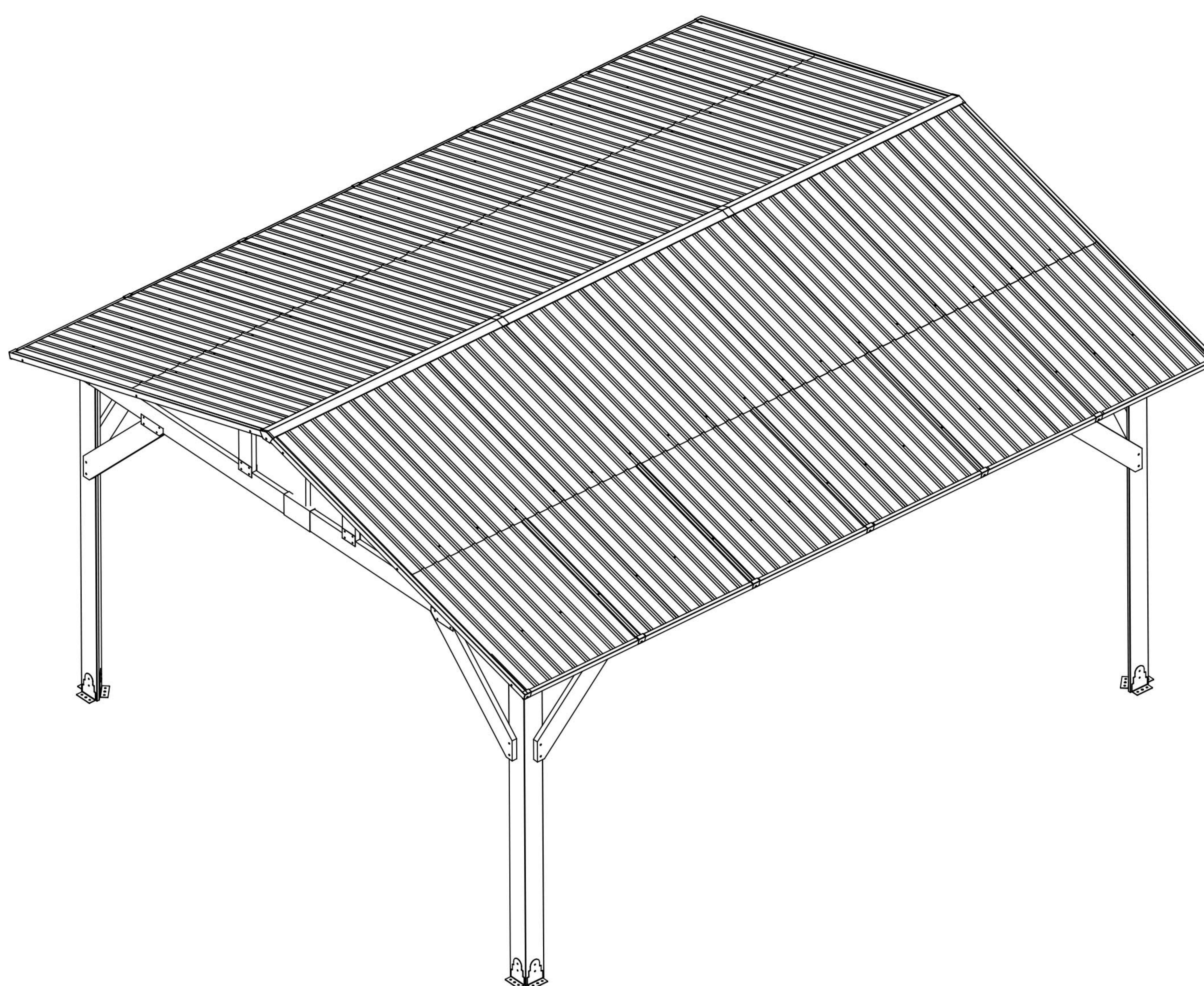


Metal Roof
Cedar Wooden Gazebo 13X15FT

SKU:C001G044V2-1
C001G044V2-2
C001G044V2-3
C001G044V2-4
C001G044V2-5

ASSEMBLY INSTRUCTIONS



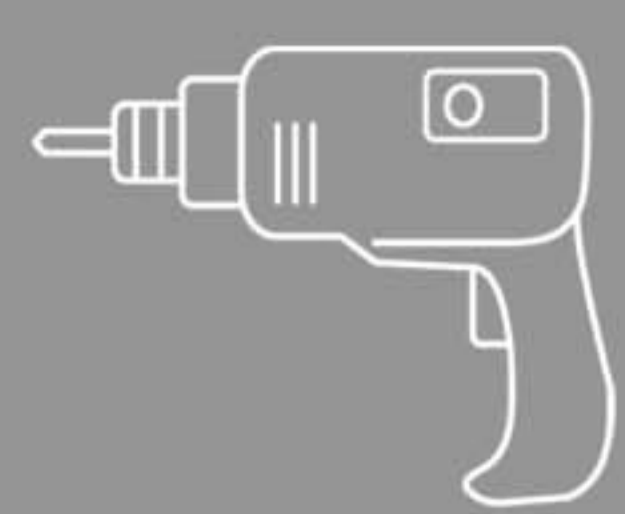
Please check the number of parts in the following accessory catalogue when unpacking. We have sent you more small parts for spare. If there is any missing or any questions about the installation. Please feel free to contact us. We will reply within 24 hours.



E-mail: cs.helper01@gmail.com

TOOLS RECOMMENDED

*NOTE: The recommended tools are not included in boxes and need to be prepared by yourself.



DRILL



RUBBER Mallet



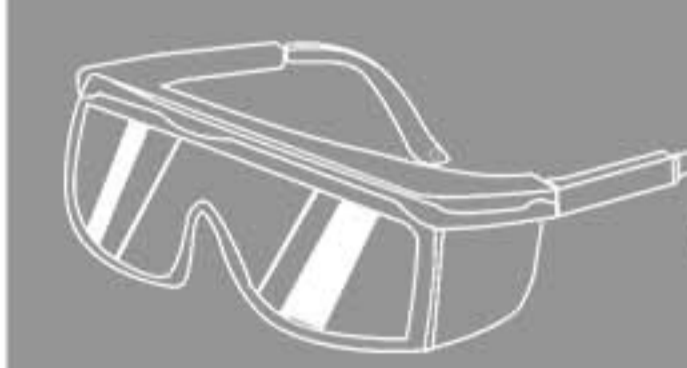
STEPLADDER
(6.5Ft Or More)



SAFETY HAT



GLOVES



SAFETY GOGGLES

ATTENTIONS



Since it is easy to lose many small accessories during the installation, please collect all the screw accessories before the assembly is completed



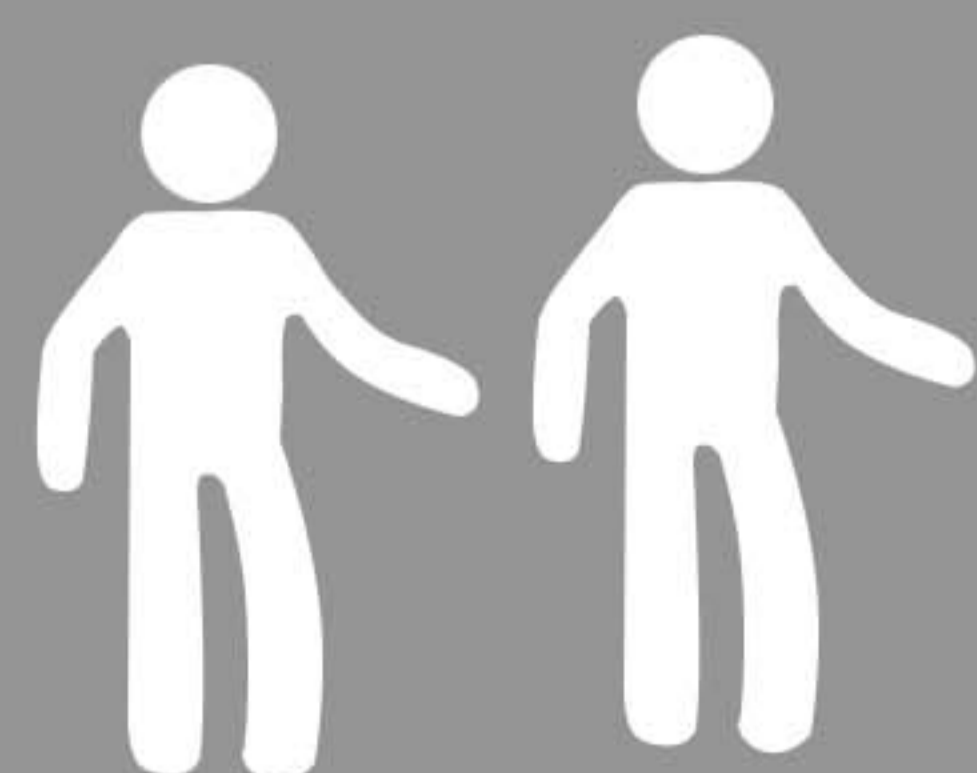
To better align the screws for practical situations, do not fully tighten screws initially



Please reinforced the Gazebo and do not use in heavy winds or inclement weather



Make sure all screws are tightened before use and check all screws, buckles and straps every 90 days

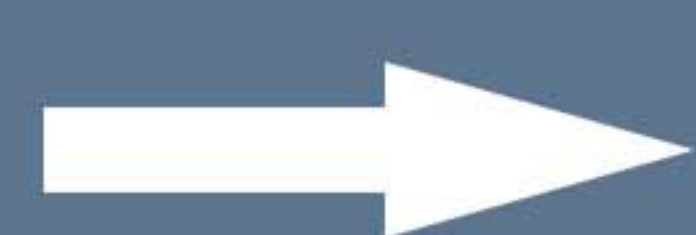


Two or more people are required for assembly



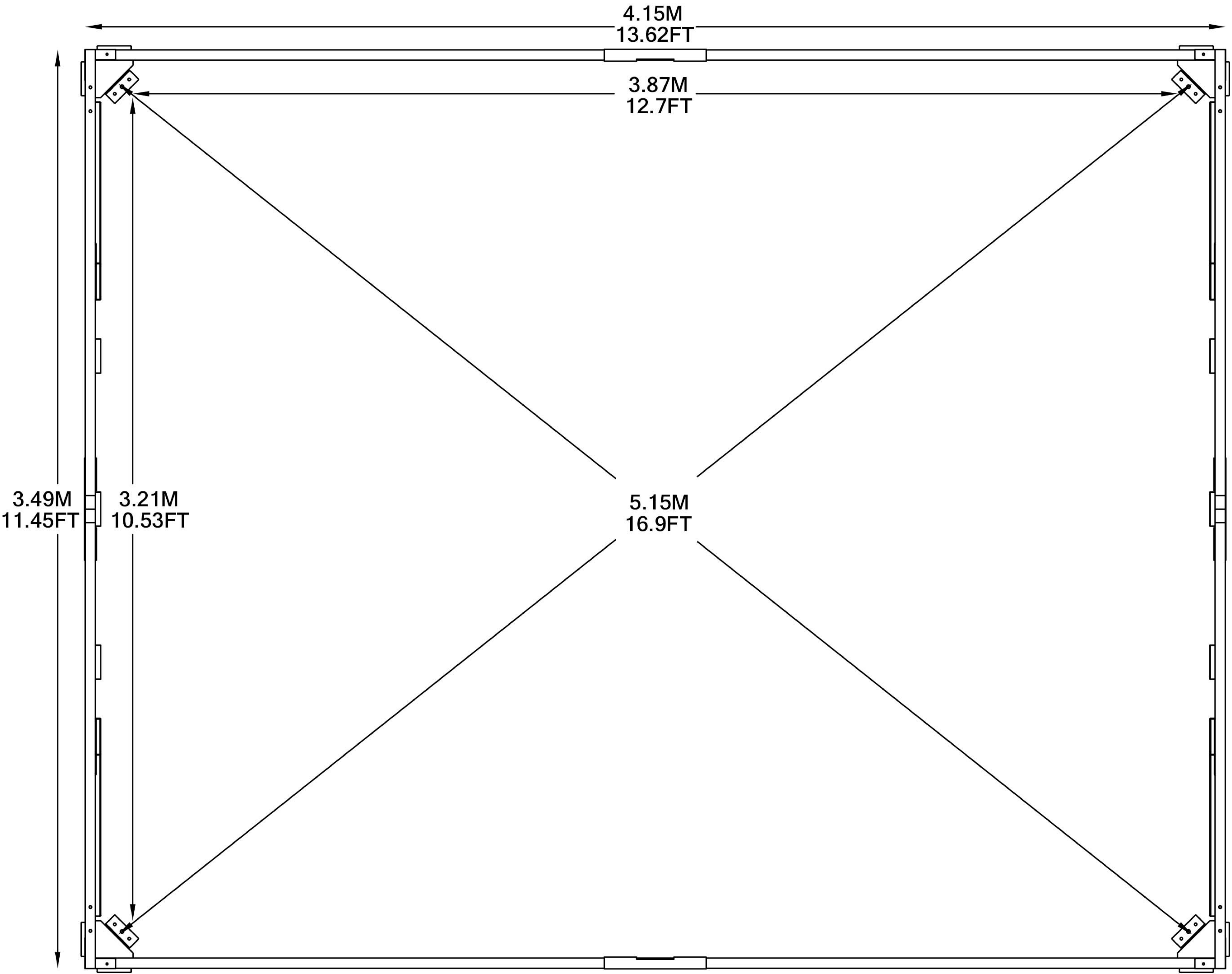
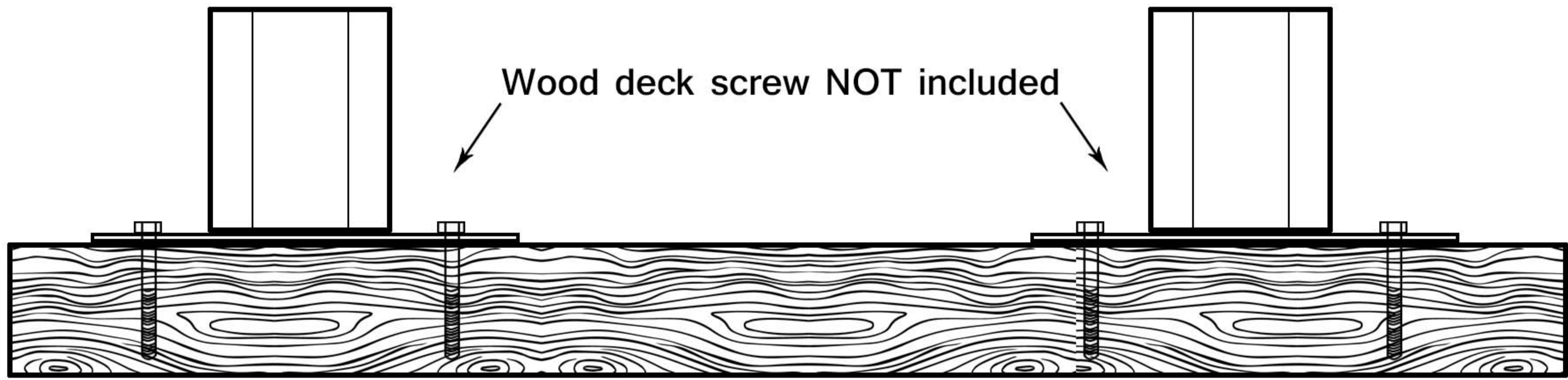
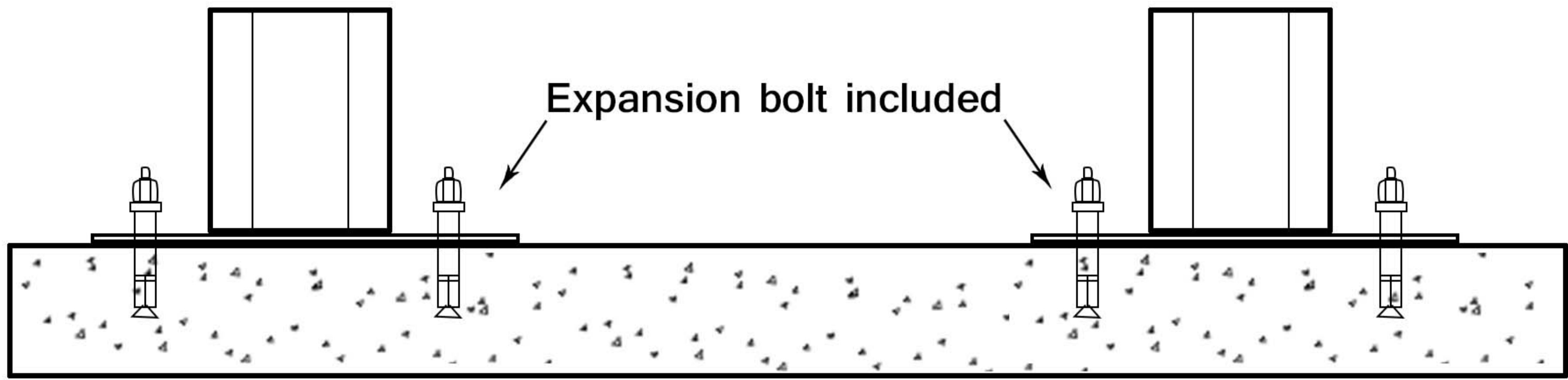
Please clear the snow off the roof in time for the heavy snowfall and do not use it

Please take care of the screws and contact the after-sales service if there is any problem with the installation or parts.



Permanent Installation Examples

Our supporting expansion screws can only be used for cement floors, customers need to bring their own special screws if they are used for wood floors



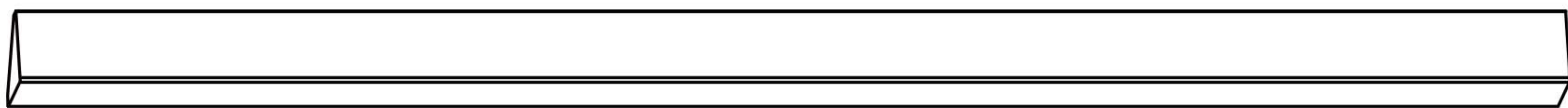
Please take care of the screws and contact the after-sales service if there is any problem with the installation or parts.

➔ ✉ E-mail: cs.helper01@gmail.com

ACCESSORY CATALOGUE




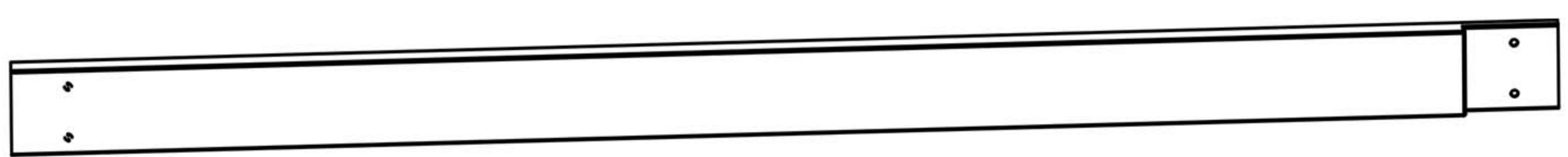
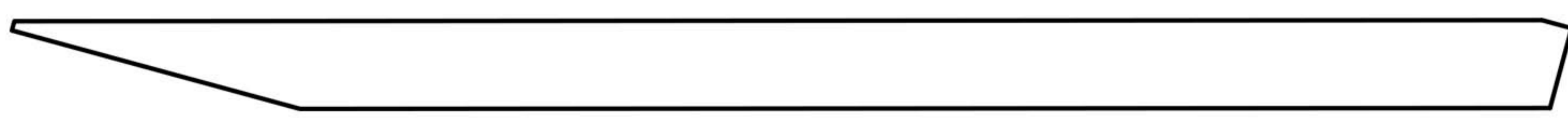

BOX 1

SKU: C001G044V2-1

Item no.	Reference Image	Qty.
A		4

BOX 2


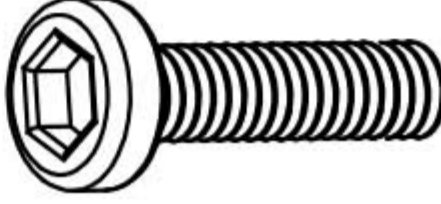

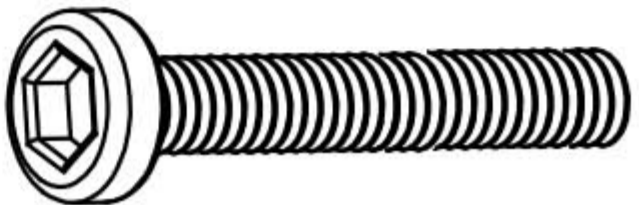
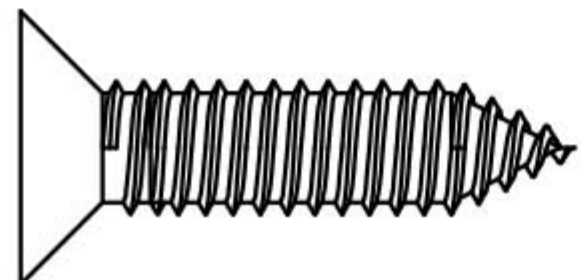
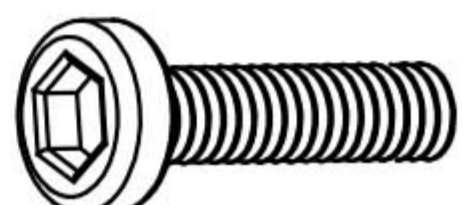

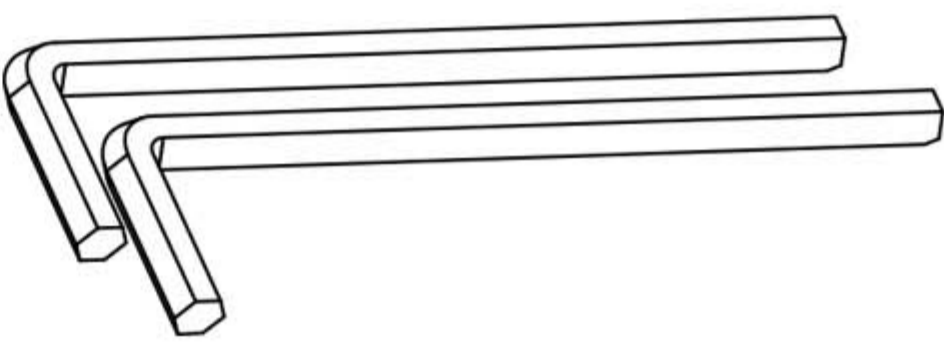
SKU: C001G044V2-2

Item no.	Reference Image	Qty.
B		2
B1		2
C		2
C1		2
E		4
F		8

Please take care of the screws and contact the after-sales service if there is any problem with the installation or parts.

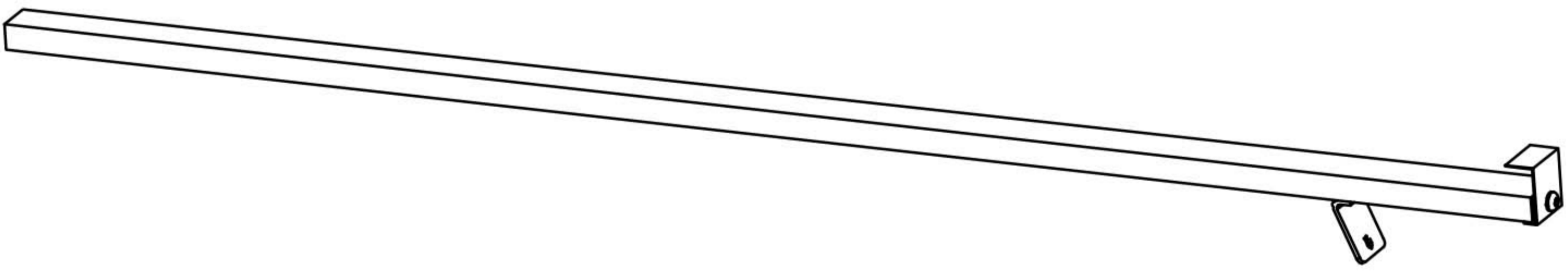
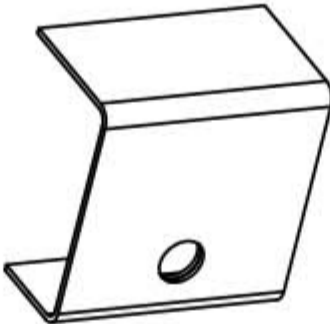
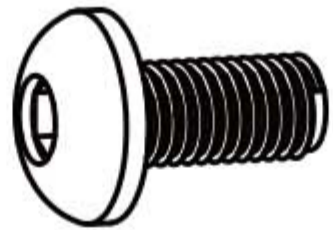
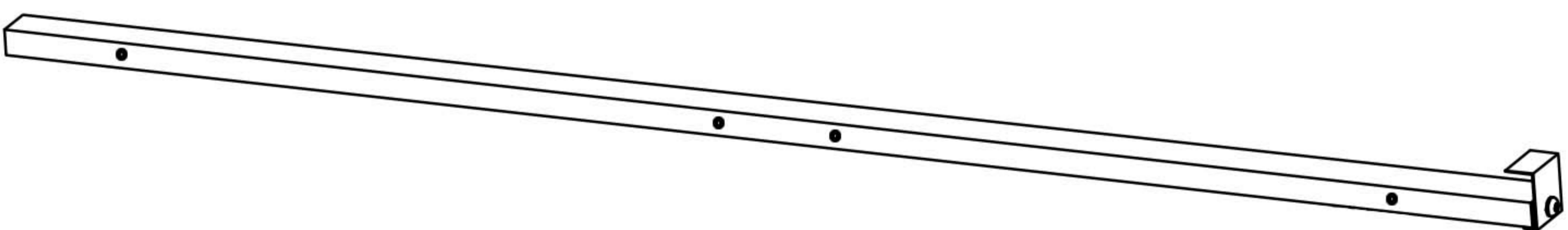
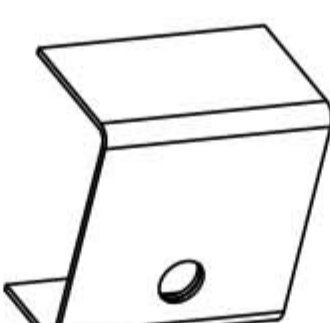
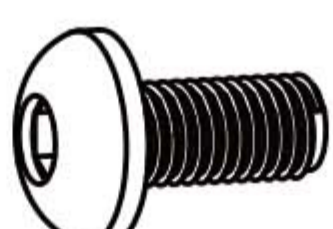


ACCESSORY CATALOGUE

Item no.	Reference Image	Qty.	Item no.	Reference Image	Qty.
V		2	X2	 M8x45mm	32
V1		4	X3	 M8x95mm	4
X	 M4x35mm	16	X4	 M8x65mm	4
X1	 M8x20mm	24	1		1

BOX 3

SKU: C001G044V2-3

Item no.	Reference Image	Qty.
D	  M1 X8  X6 X8 M6X15mm	8
D1	  M1 X2  X6 X2 M6X15mm	2

Please take care of the screws and contact the after-sales service if there is any problem with the installation or parts.

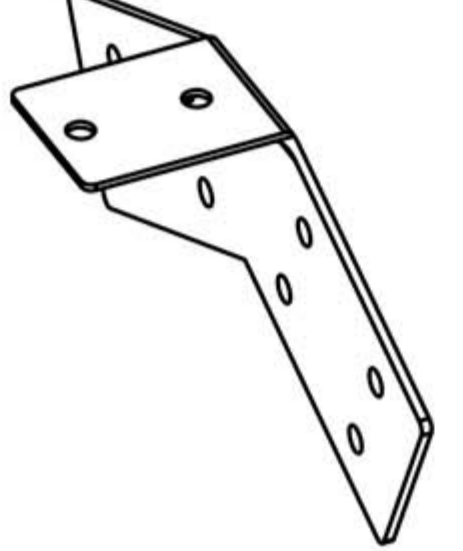
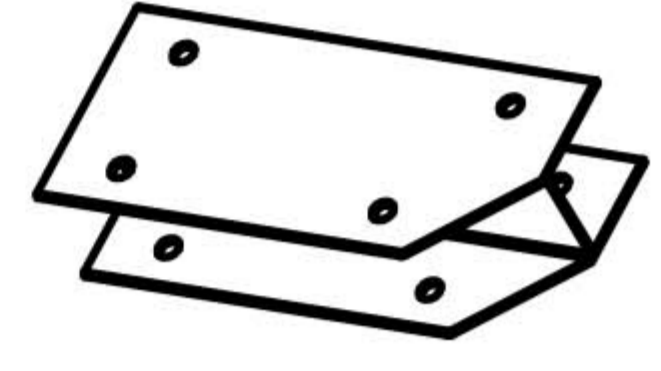
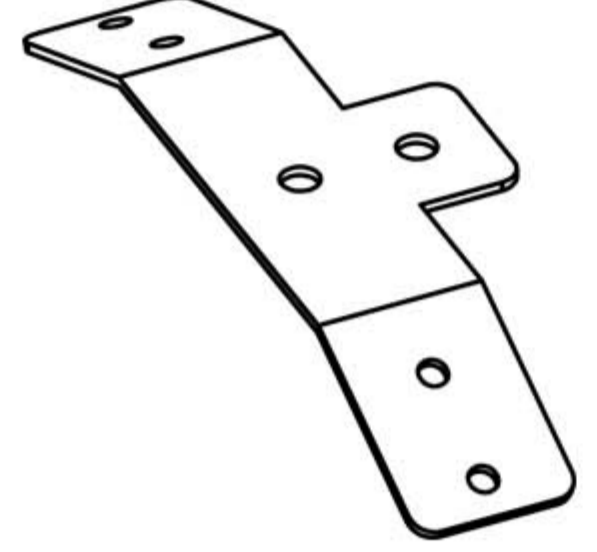
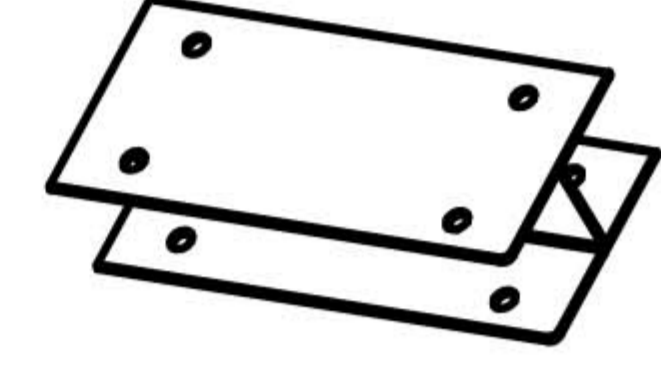
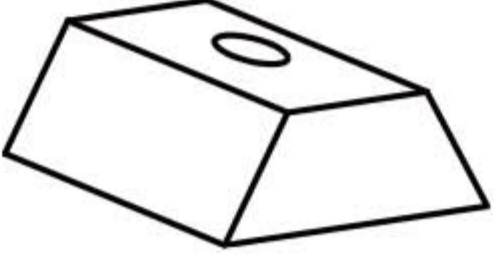
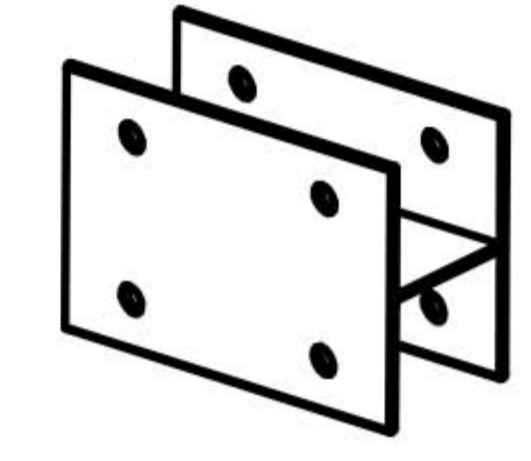

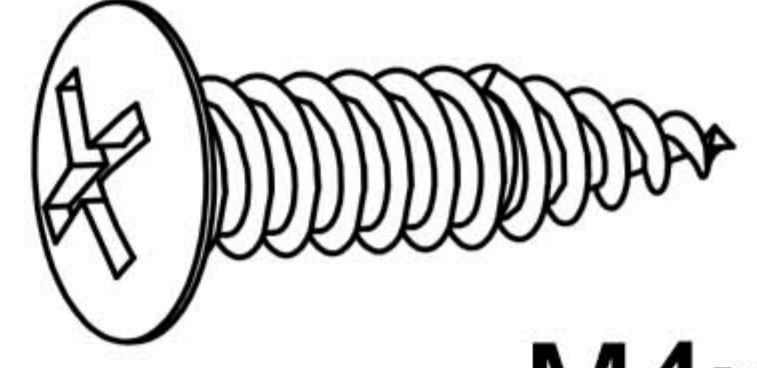
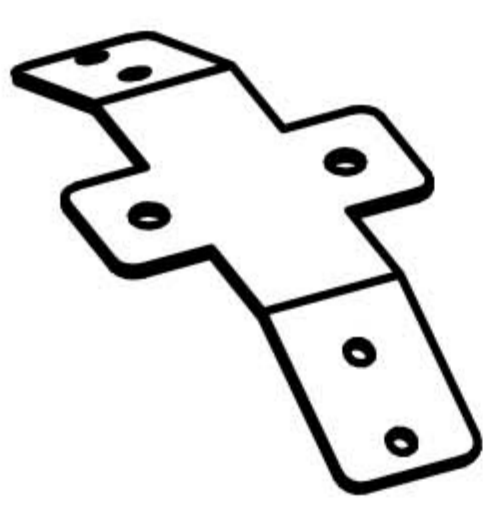
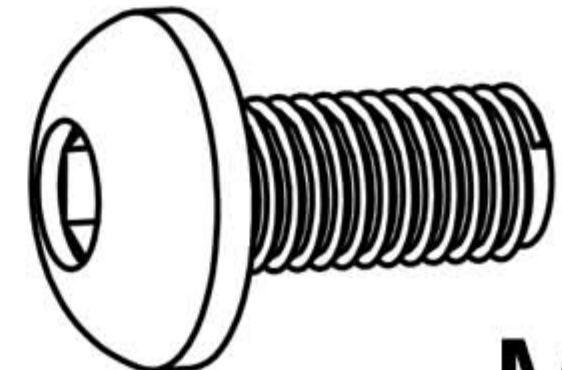
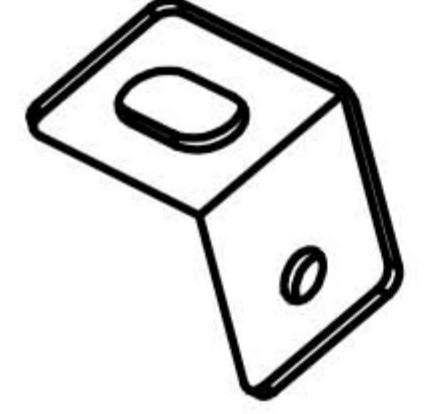
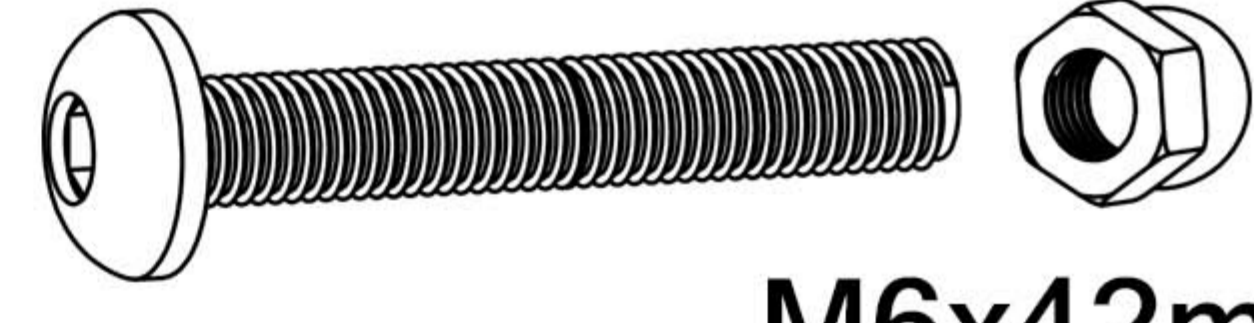
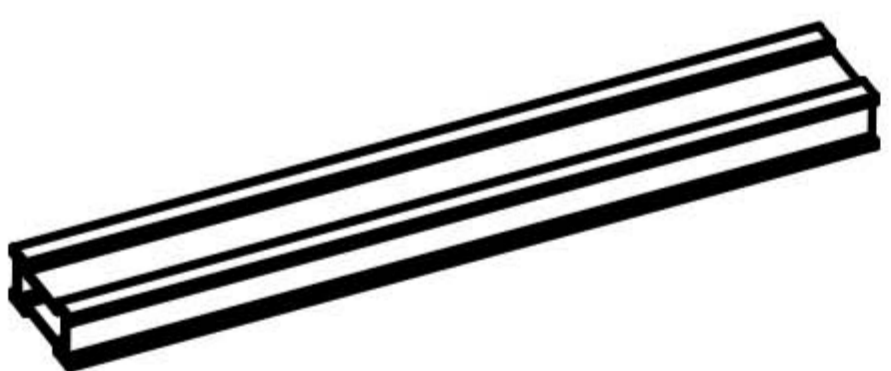
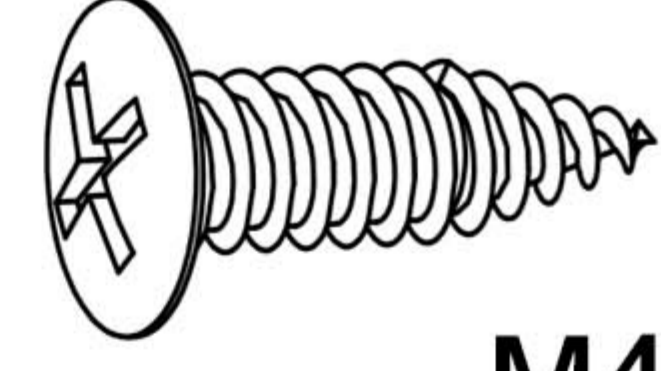
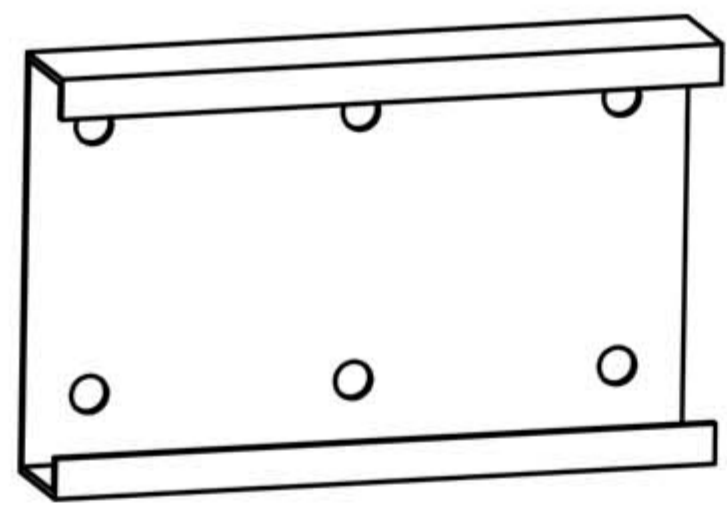
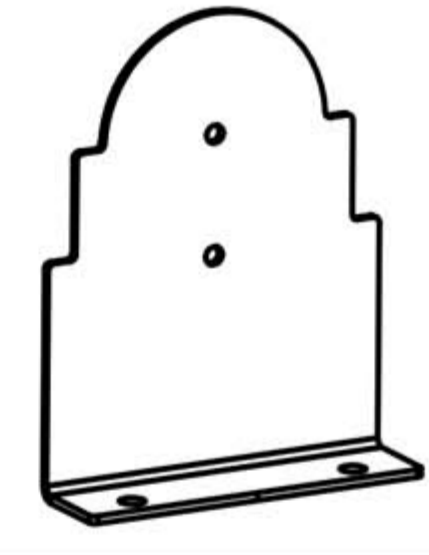
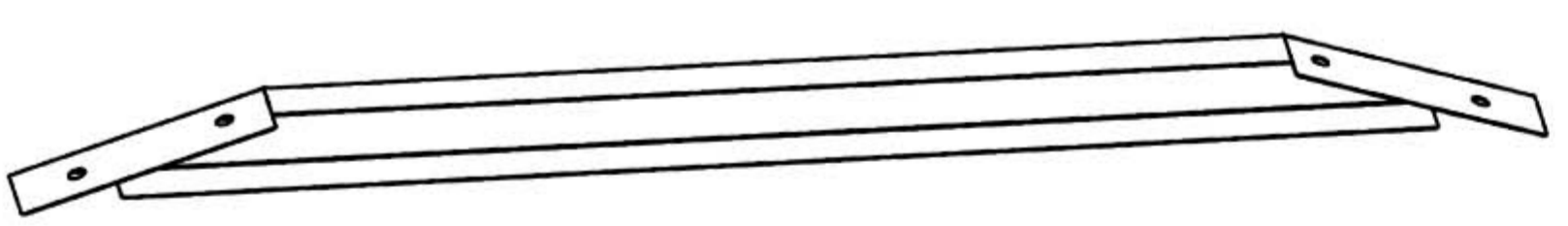

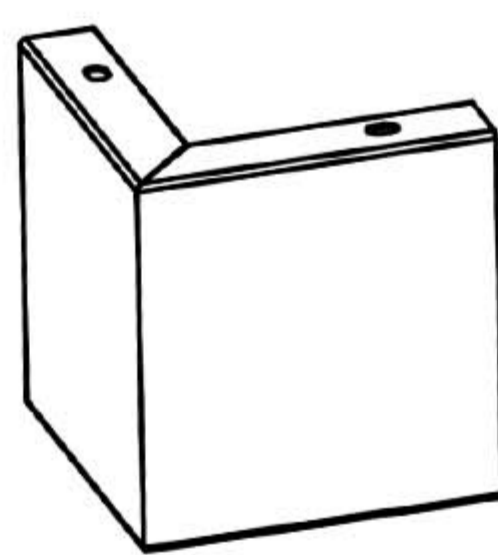
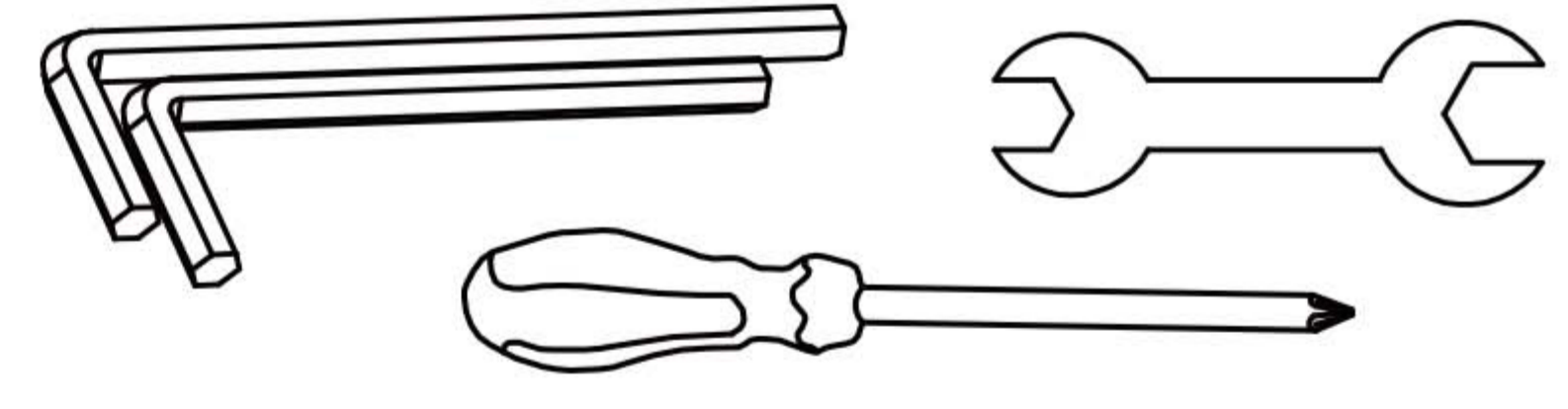
➔  E-mail: cs.helper01@gmail.com

ACCESSORY CATALOGUE

Item no.	Reference Image	Qty.
D2	<p>M1 X2 X6 X2 M6X15mm</p>	2
G		10
G1		4
H1		4
H2		8
H3		4
H4		4
K		1
K1	<p>M2 X2 X6 X2 M6X15mm</p>	2

Please take care of the screws and contact the after-sales service if there is any problem with the installation or parts.

ACCESSORY CATALOGUE

Item no.	Reference Image	Qty.	Item no.	Reference Image	Qty.
M3		2	R		8
M4		2	R1		4
M5		32	R2		4
M6		2	X5	 M4x25mm	24
M7		4	X6	 M6x15mm	160
M9		4	X7	 M6x42mm	32
P		2	X8	 M4x15mm	168
T		4	L		12
H5		4	2		8
J1		4	3		1


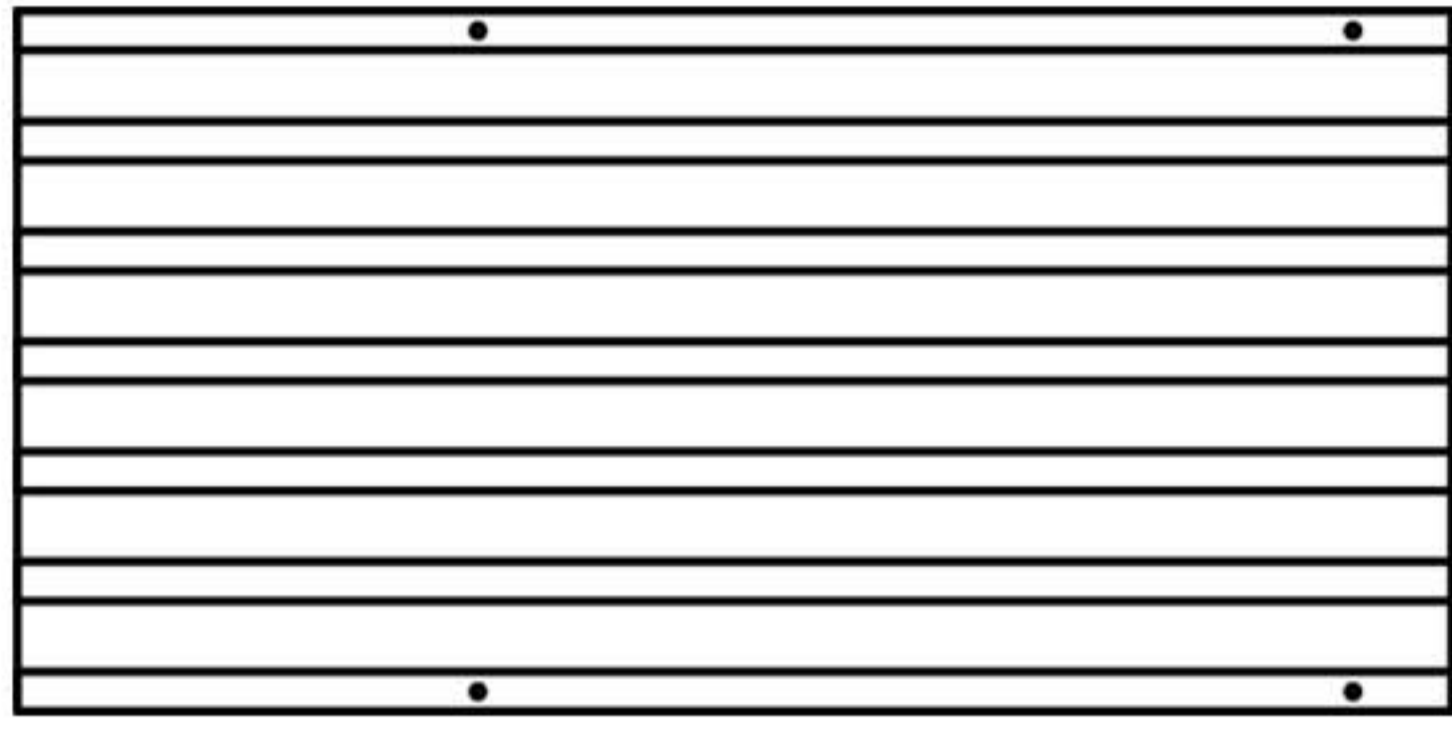

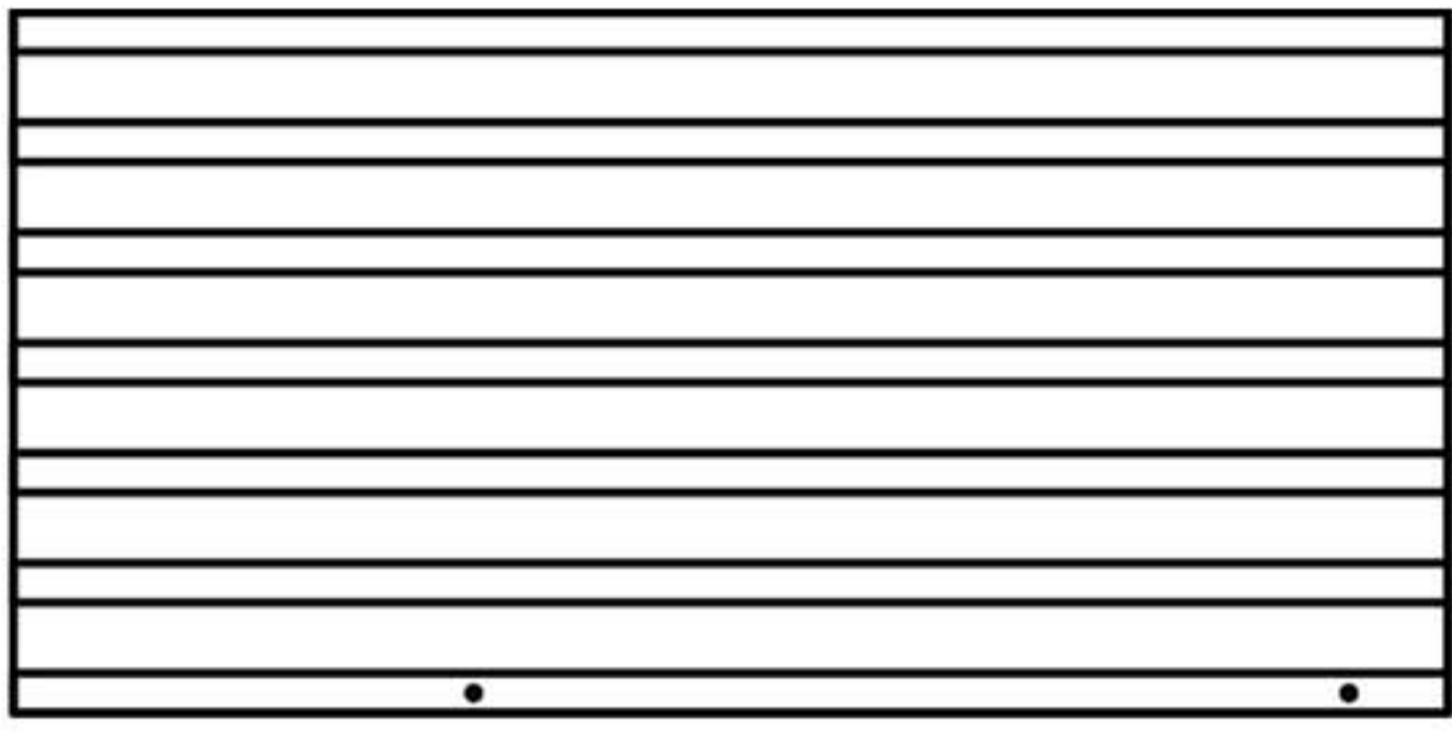
Please take care of the screws and contact the after-sales service if there is any problem with the installation or parts.


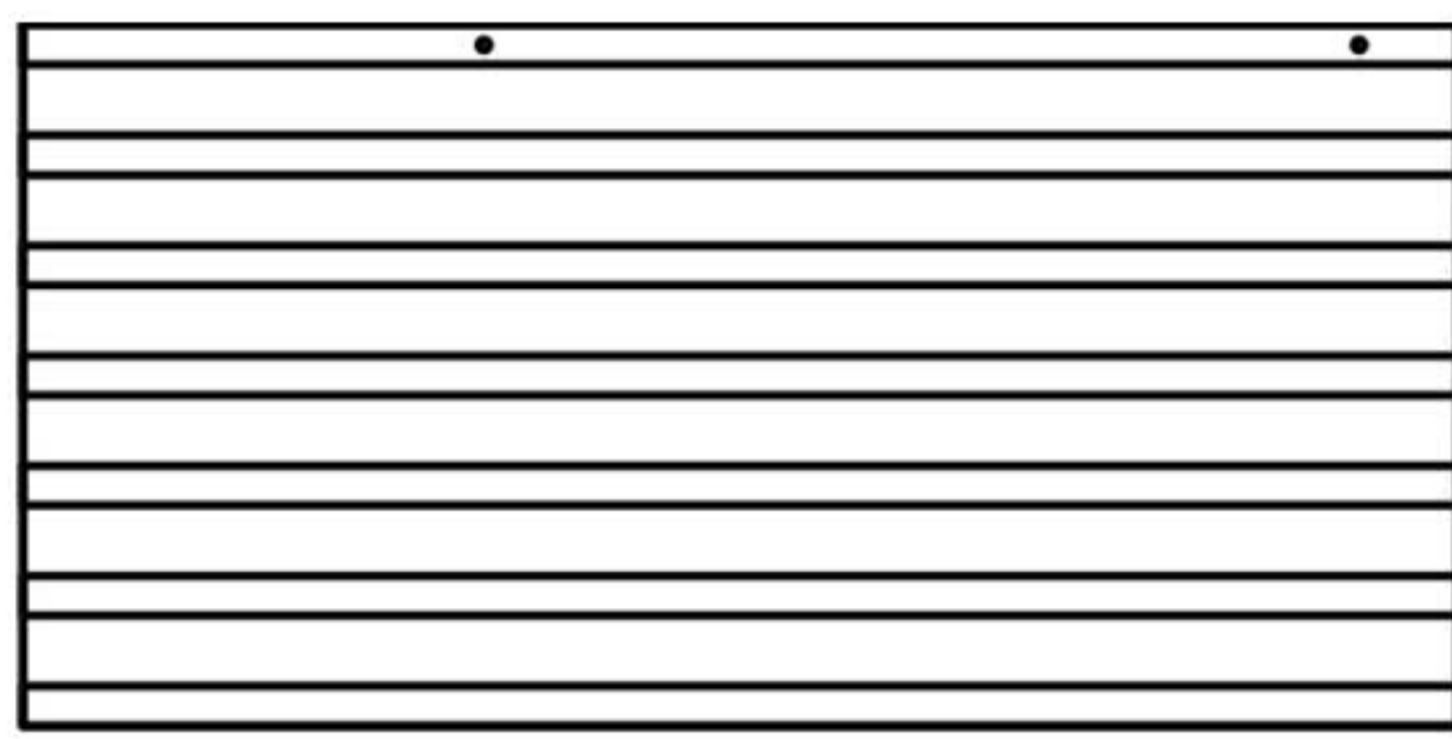
➔ ✉ E-mail: cs.helper01@gmail.com

ACCESSORY CATALOGUE

BOX 4


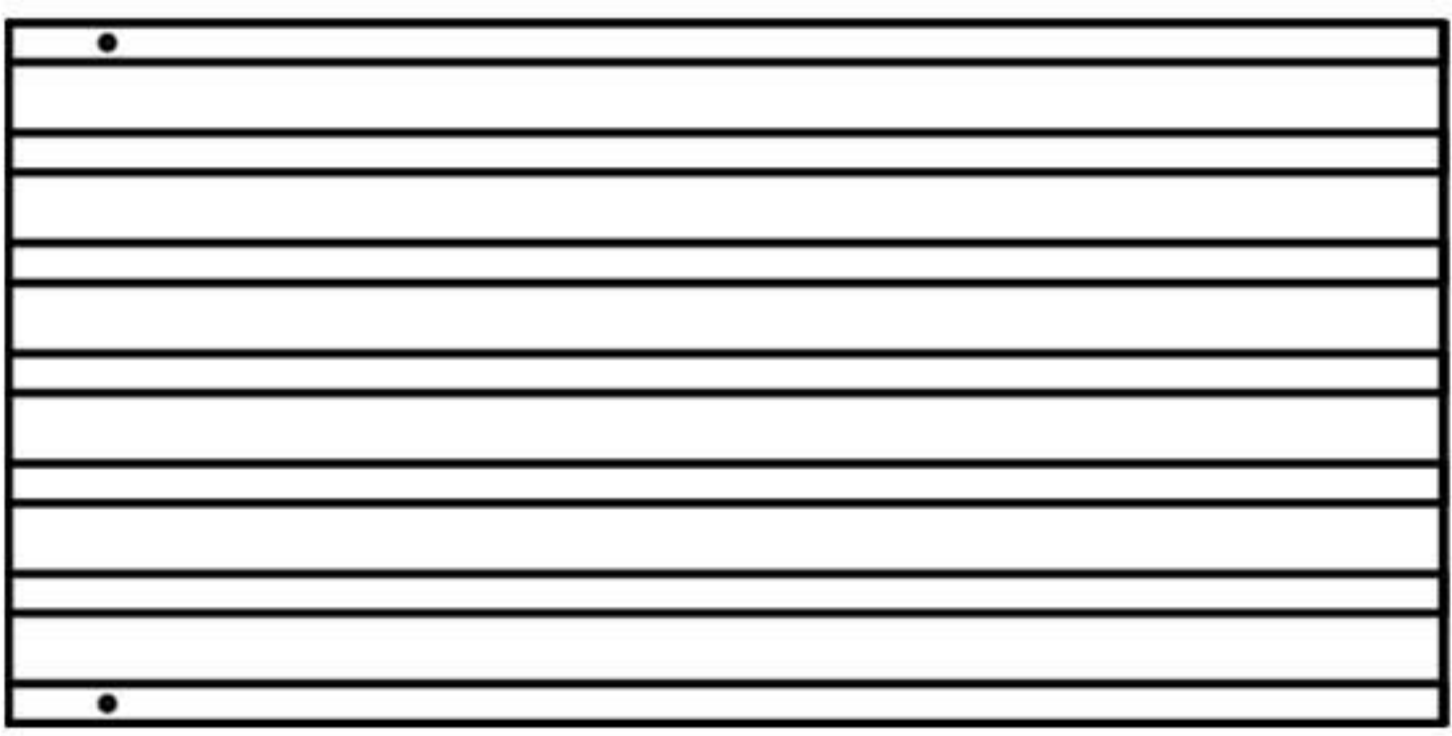

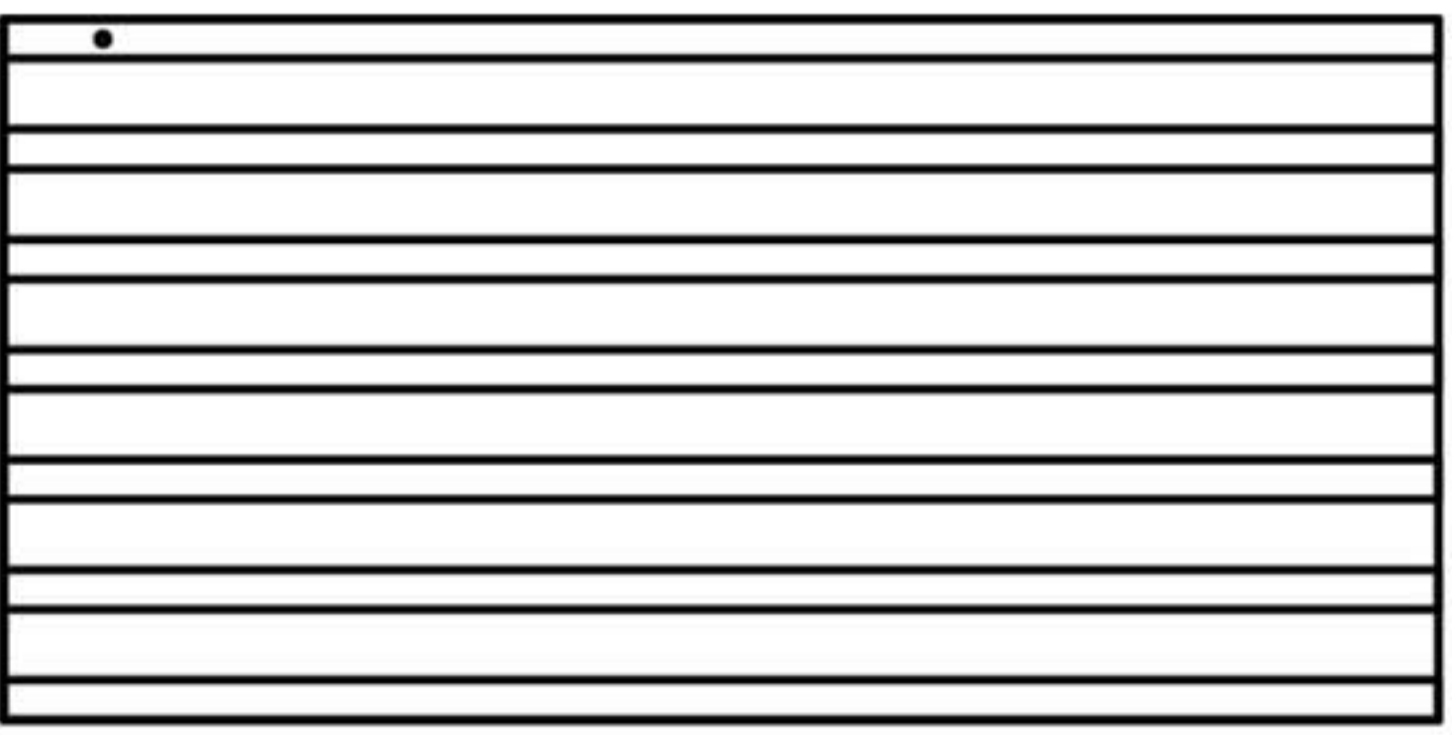
SKU: C001G044V2-4


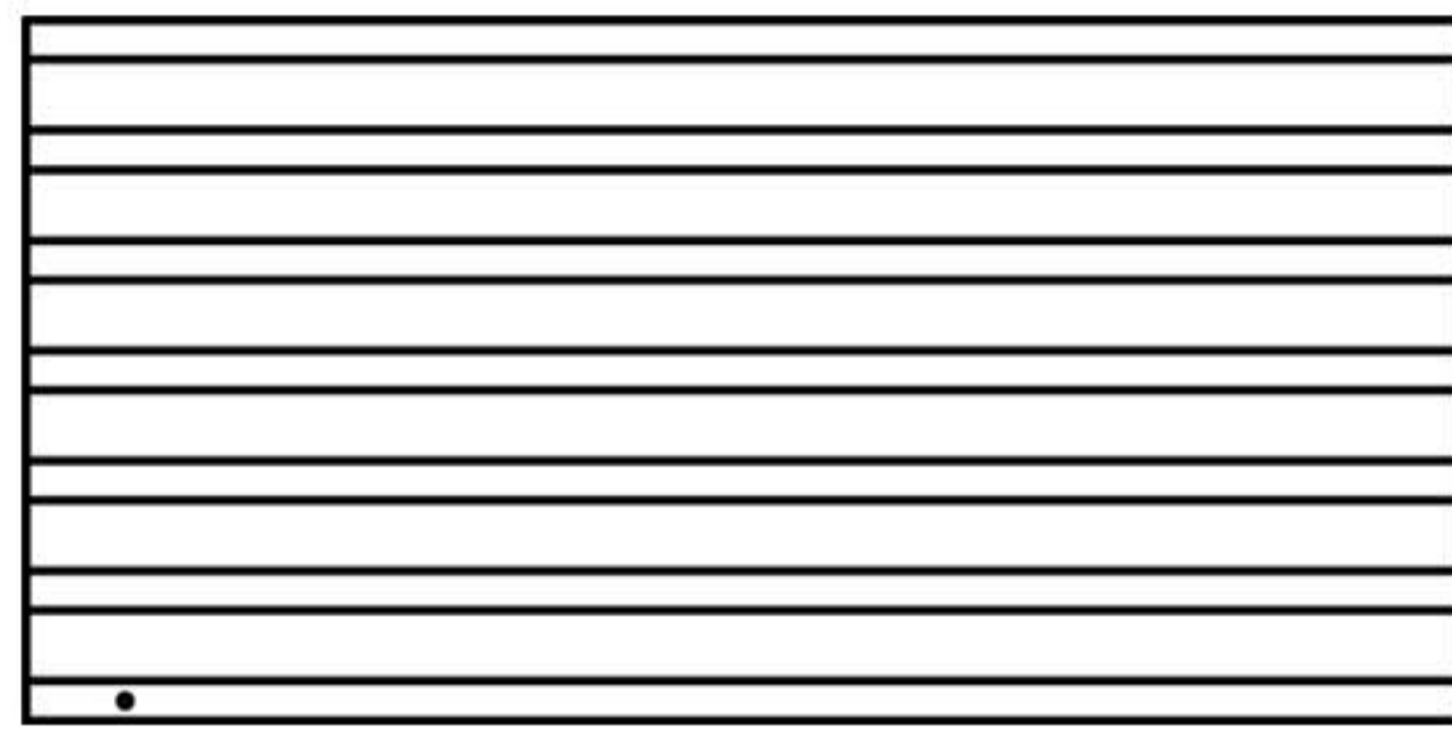
Item no.	Reference Image	Qty.
		14
		2

Item no.	Reference Image	Qty.
		2

BOX 5

SKU: C001G044V2-5

Item no.	Reference Image	Qty.
		14
		2

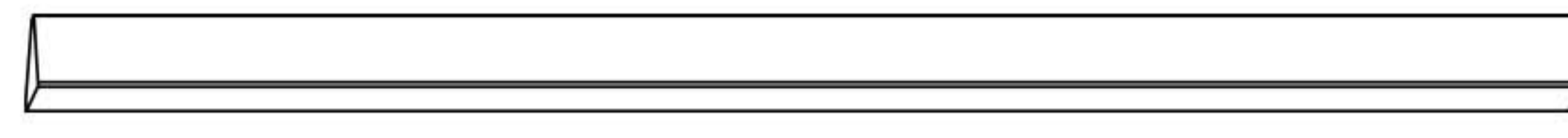
Item no.	Reference Image	Qty.
		2

Please take care of the screws and contact the after-sales service if there is any problem with the installation or parts.

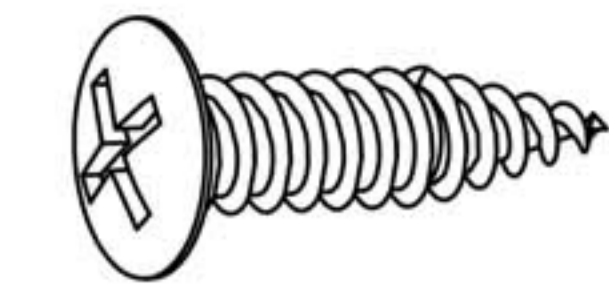


STEP 1

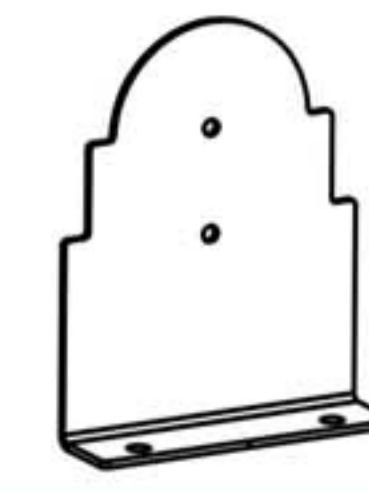
Parts required



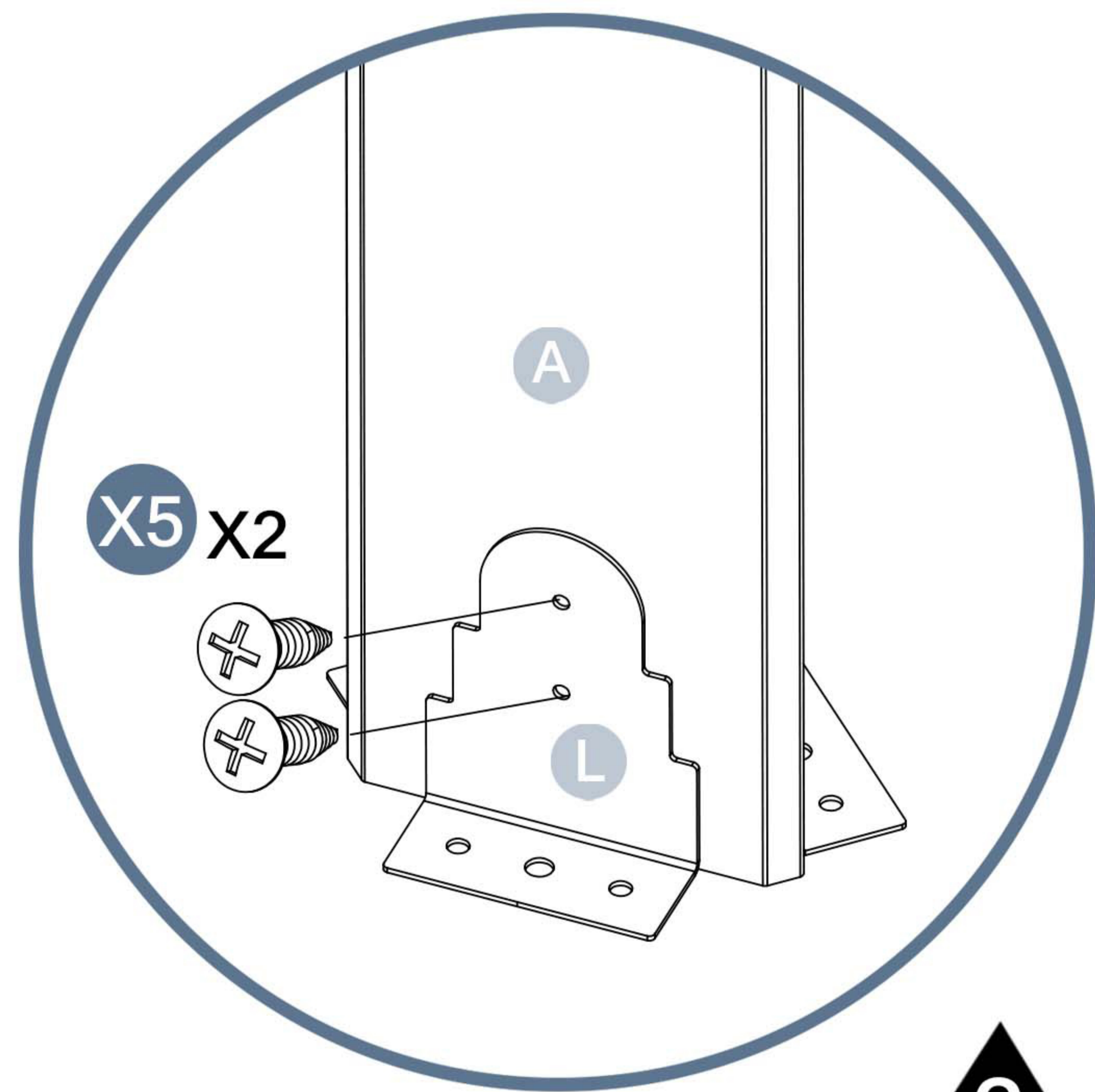
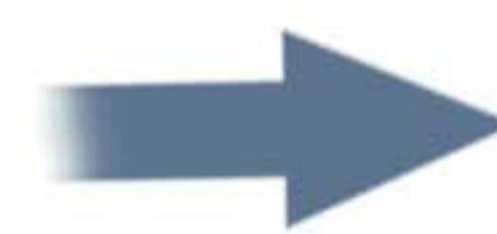
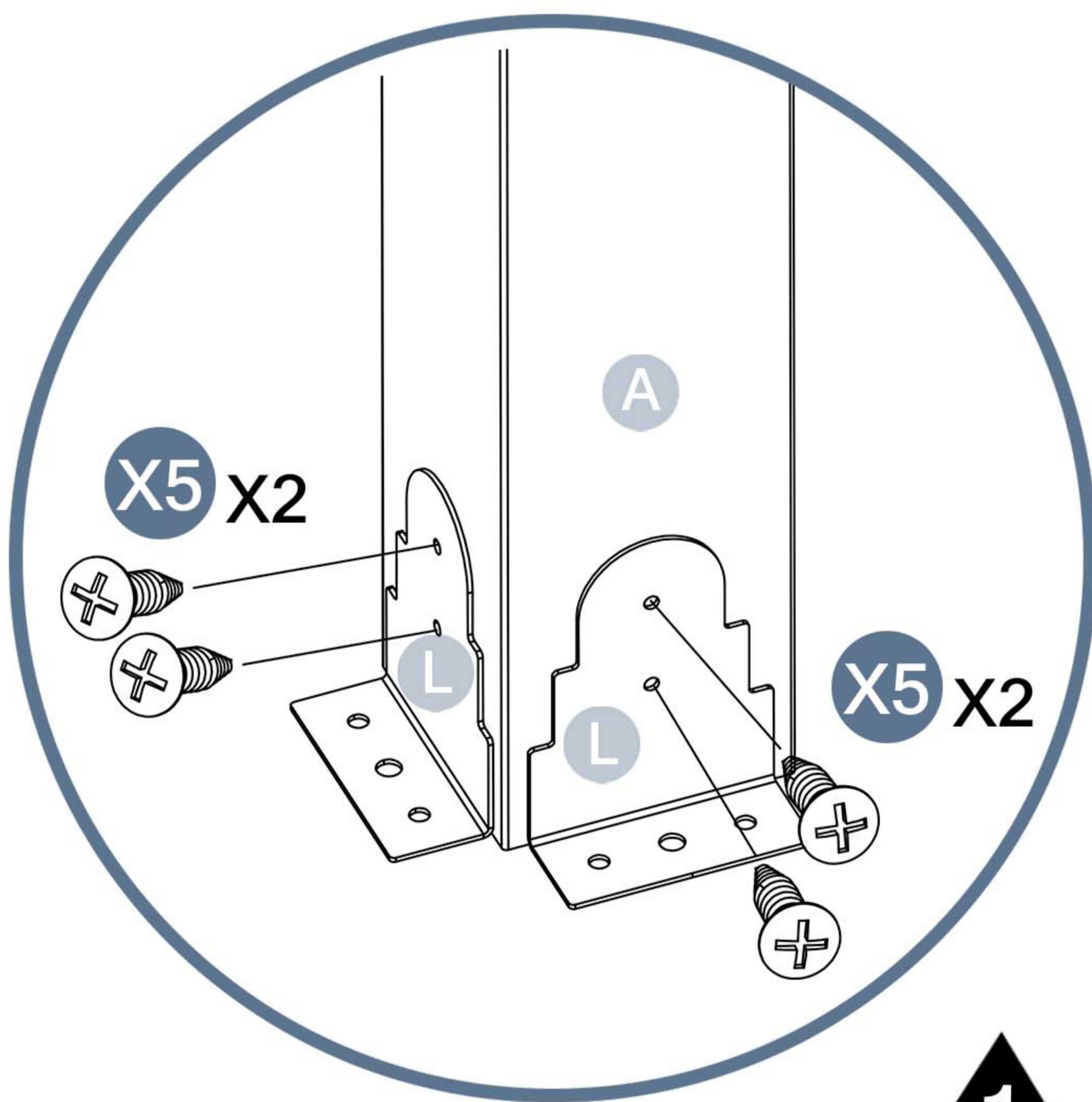
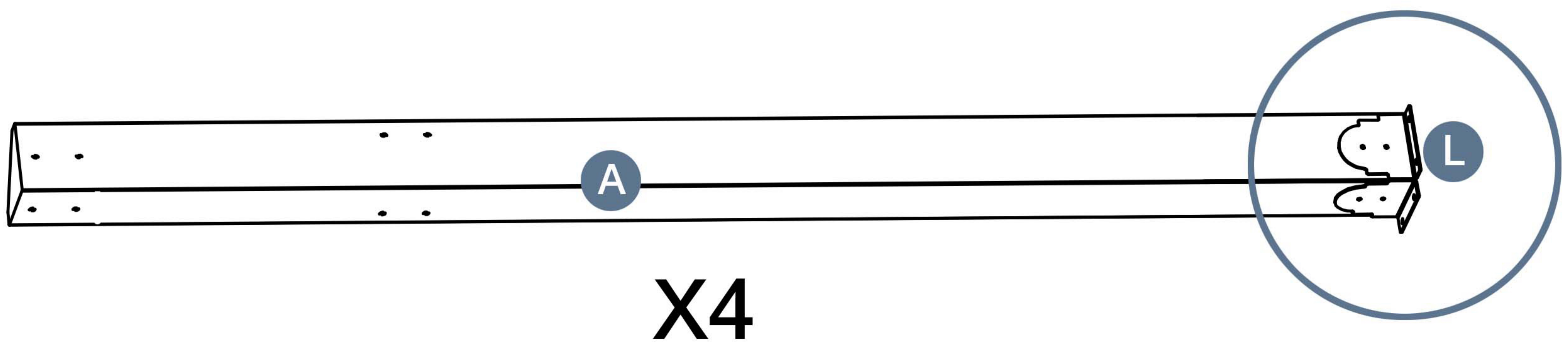
A 4pcs



X5 24pcs



L 12pcs

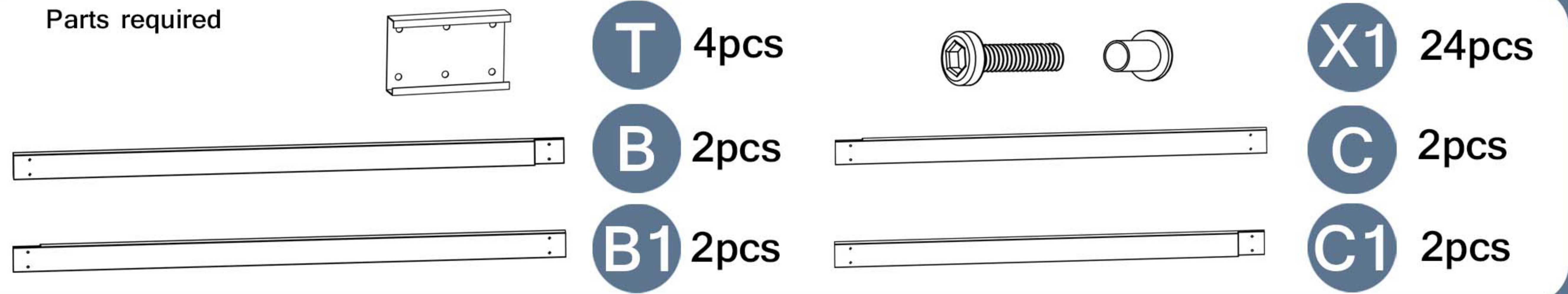


Please take care of the screws and contact the after-sales service if there is any problem with the installation or parts.

➔ E-mail: cs.helper01@gmail.com

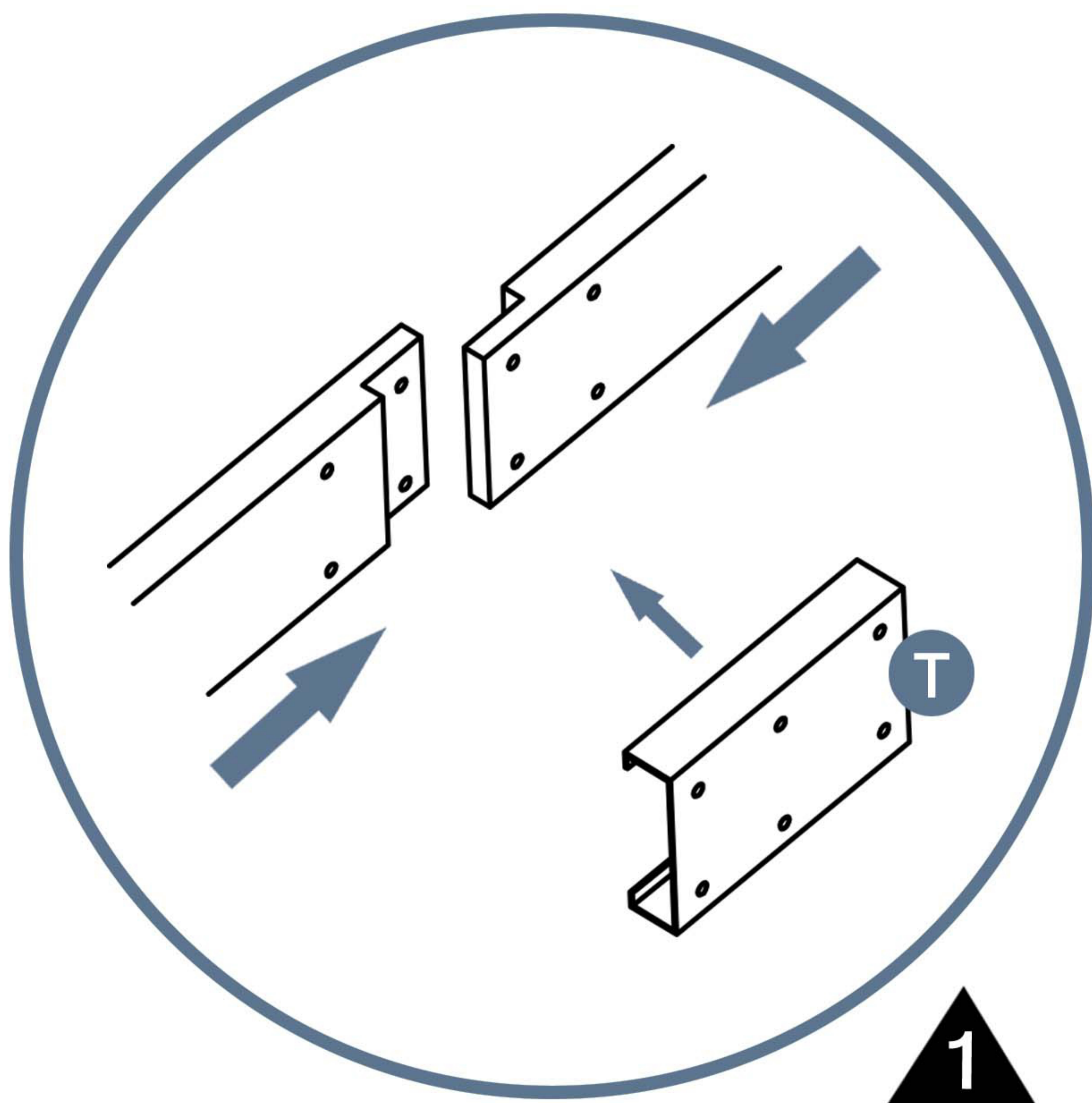
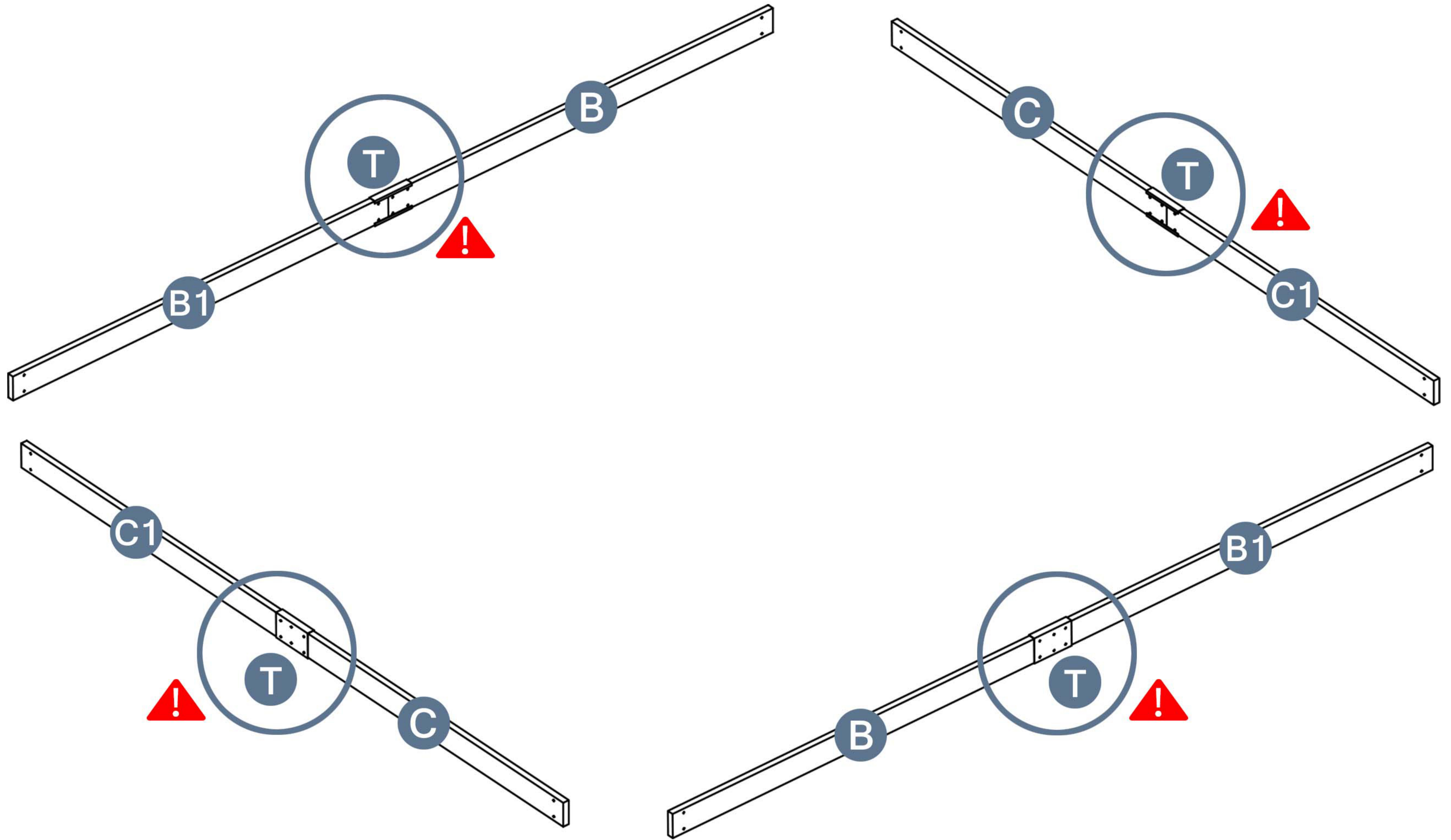
STEP 2

Parts required

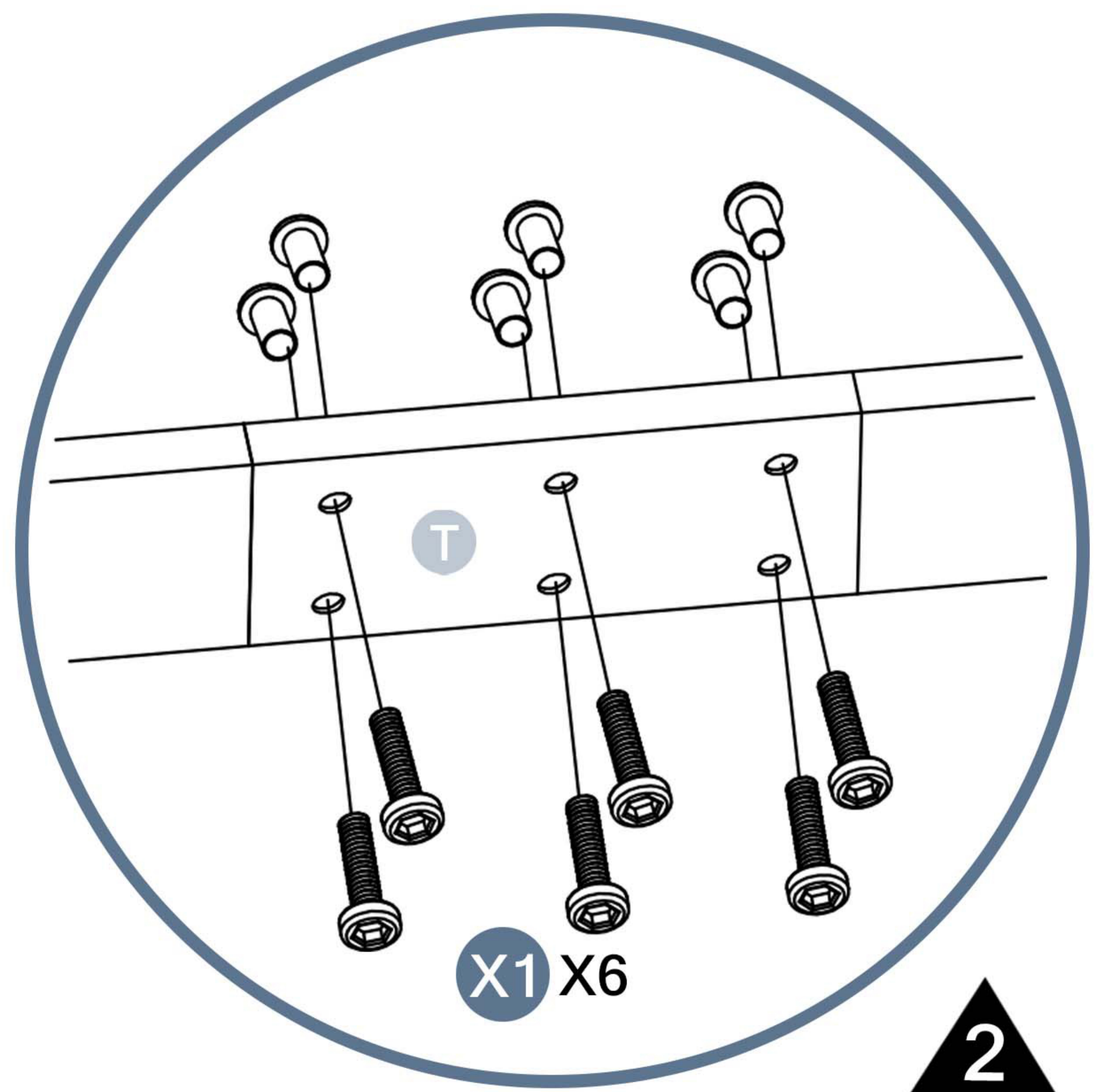
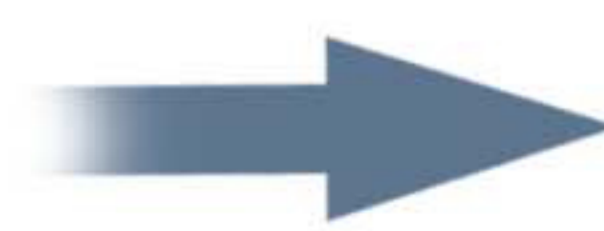


1 → 2

! Pay attention to the installation direction of T.



1

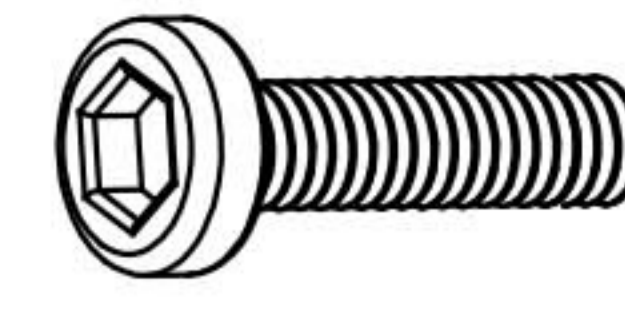


2

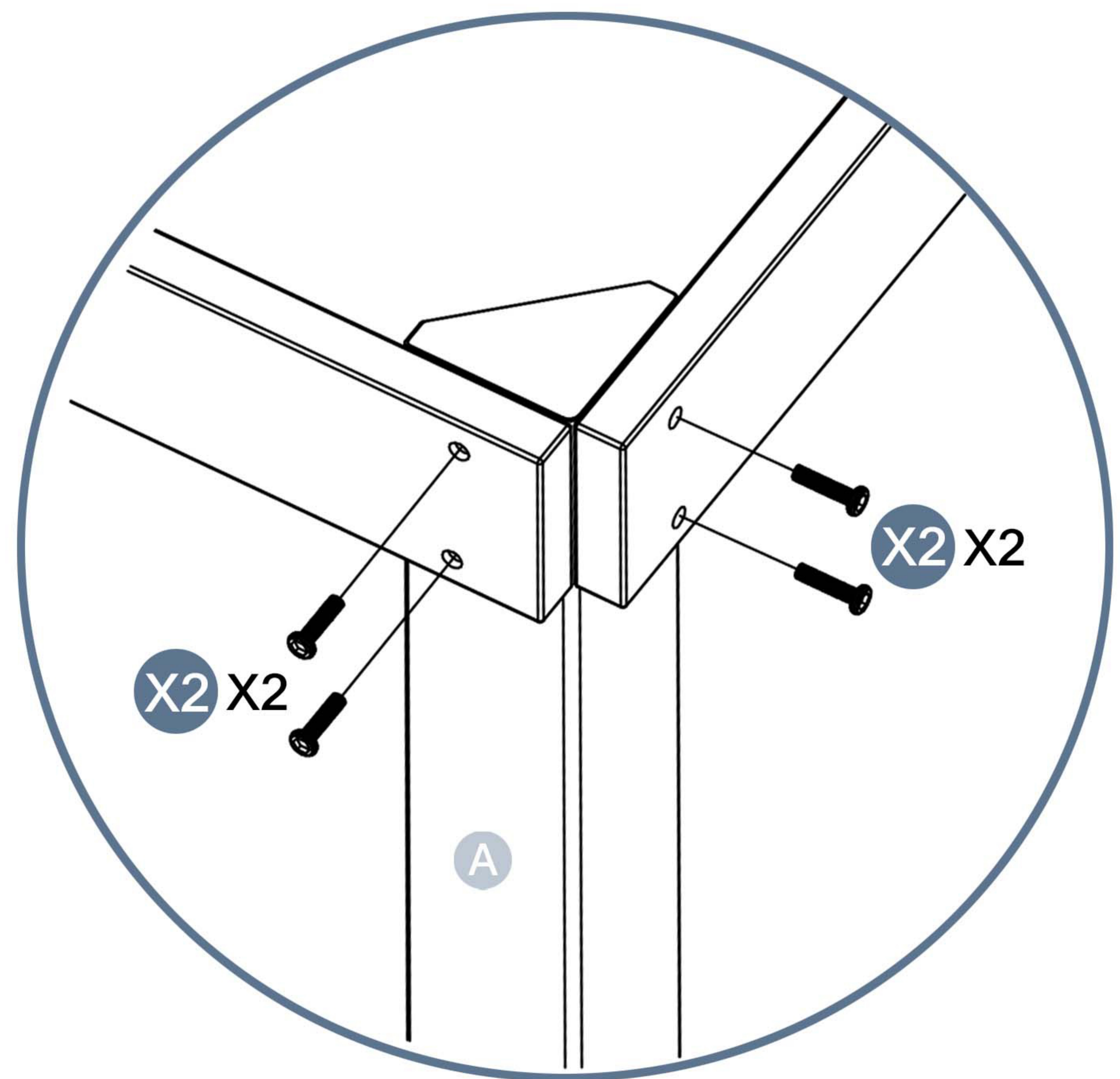
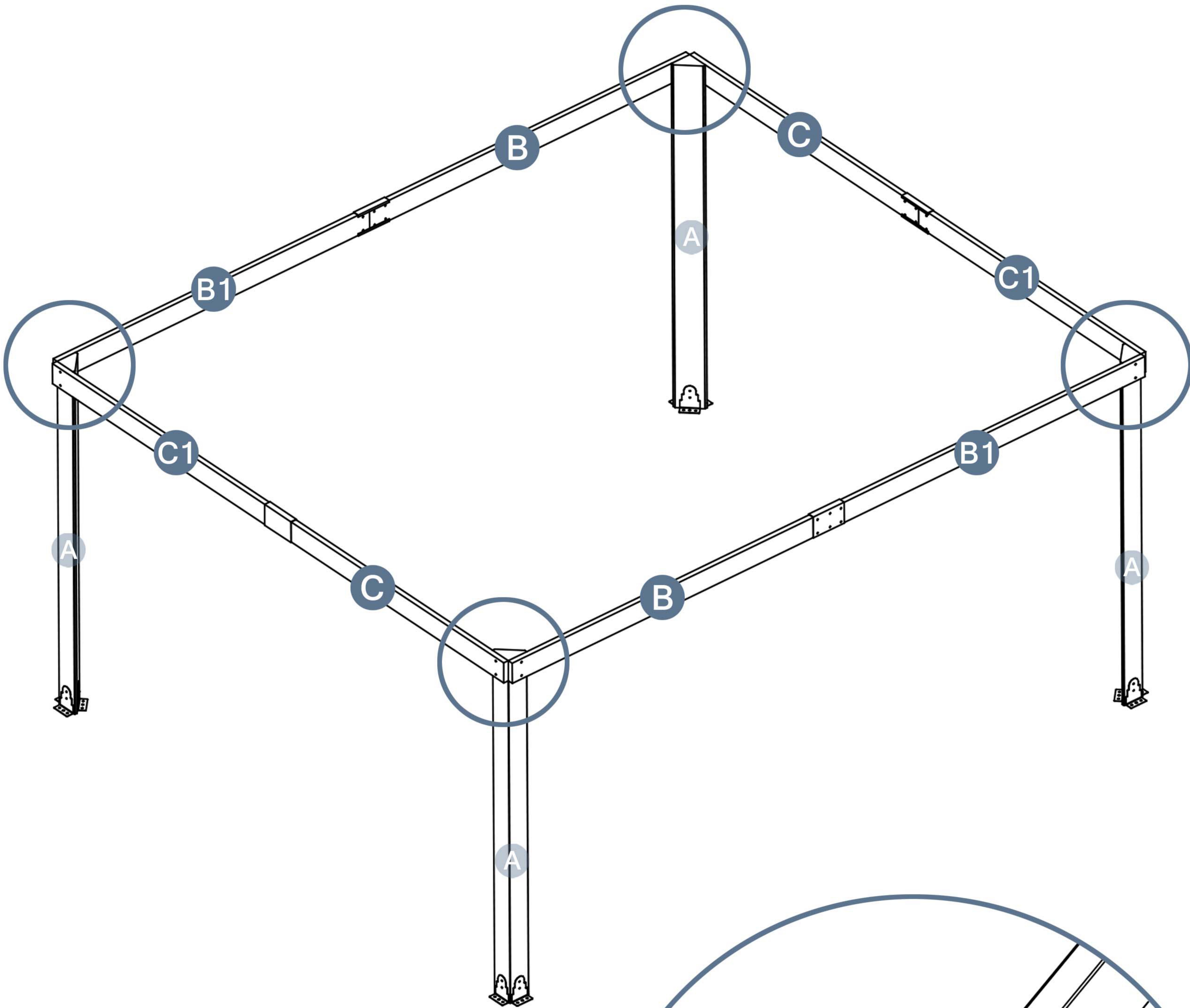
Please take care of the screws and contact the after-sales service if there is any problem with the installation or parts.

STEP 3

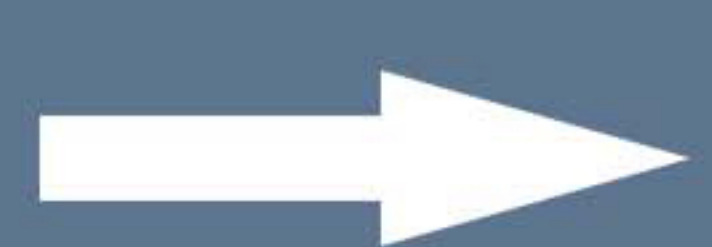
Parts required



X2 16pcs



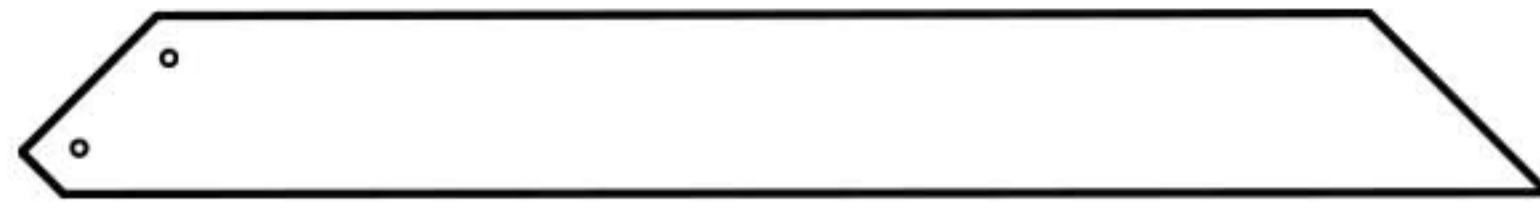
Please take care of the screws and contact the after-sales service if there is any problem with the installation or parts.



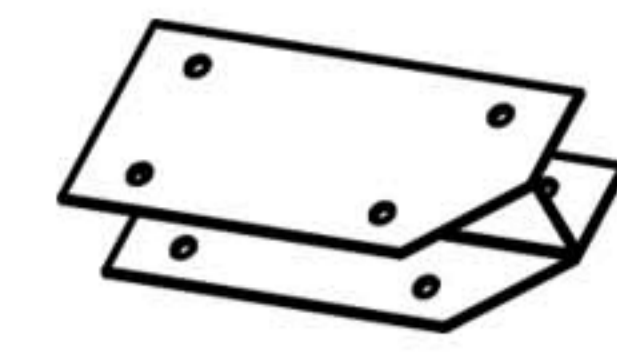
E-mail: cs.helper01@gmail.com

STEP 4

Parts required



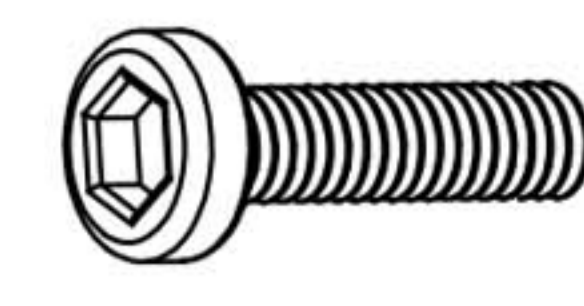
F 8pcs



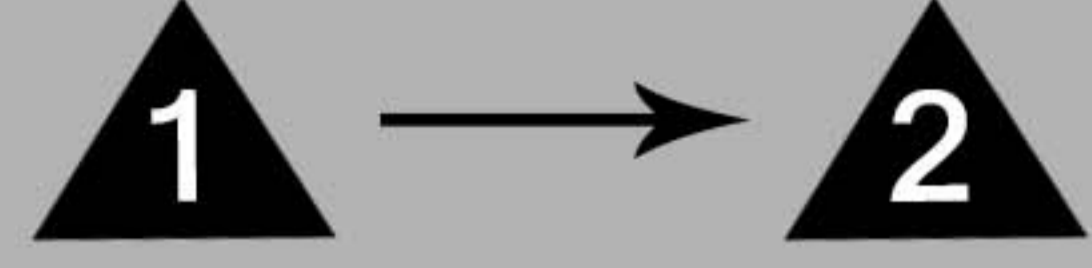
R 8pcs



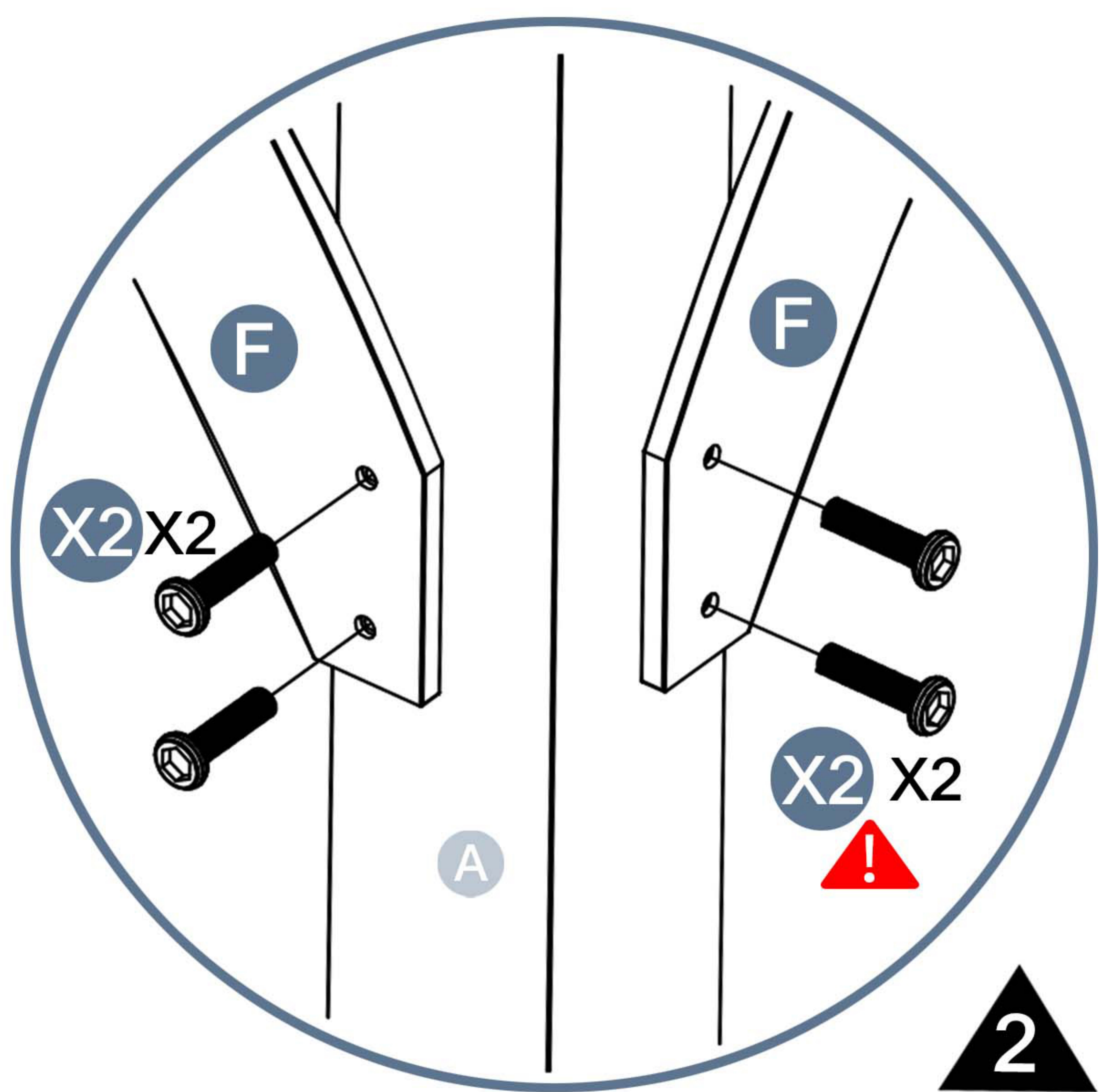
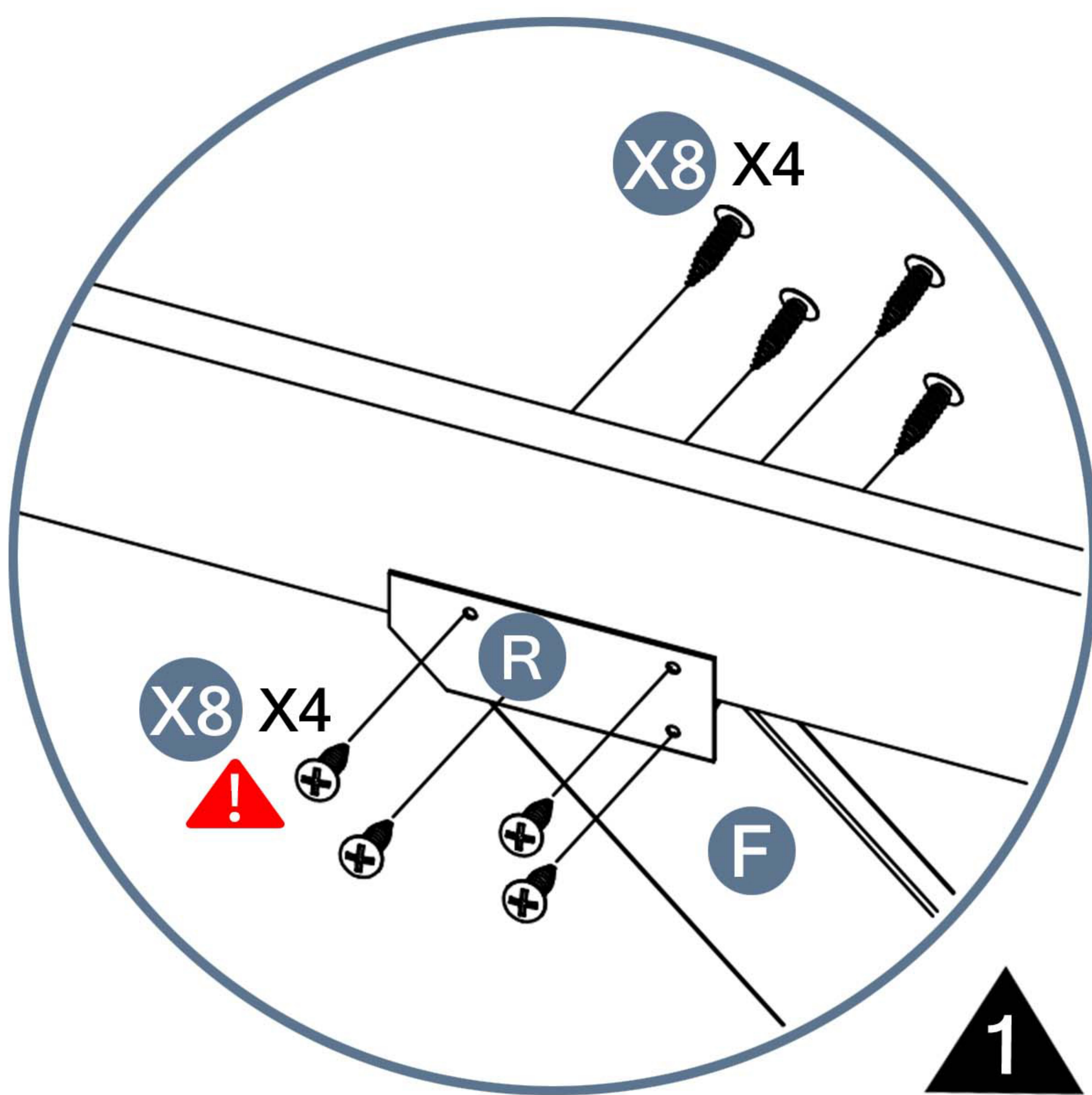
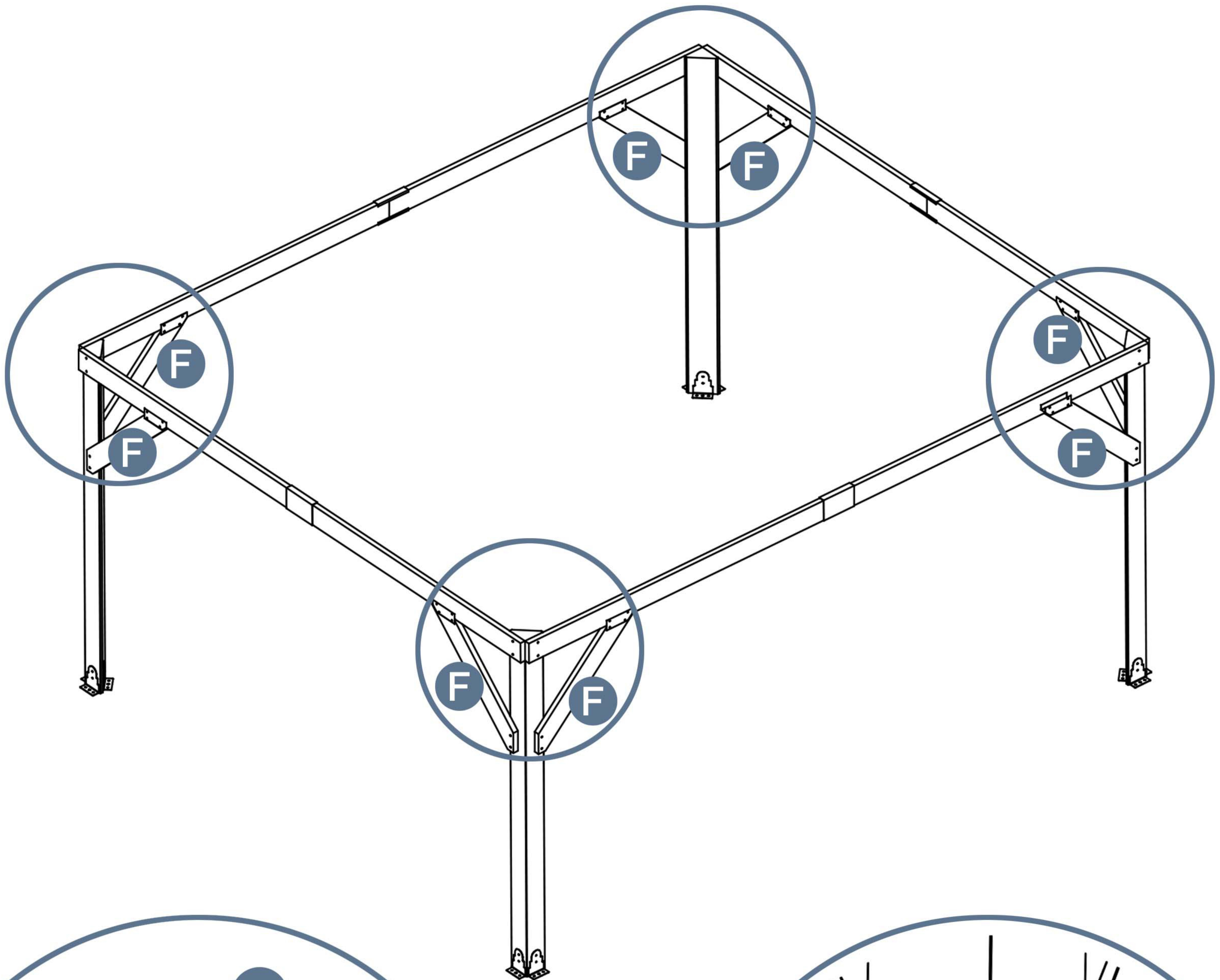
X8 64pcs



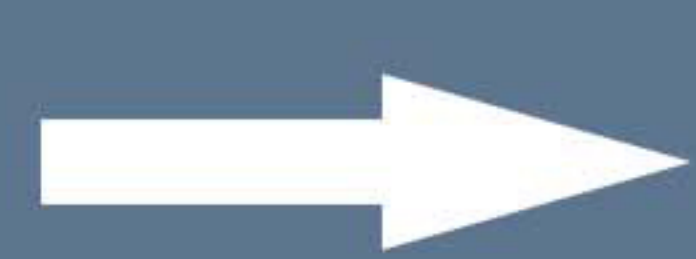
X2 16pcs



Please note that different screws are being used.



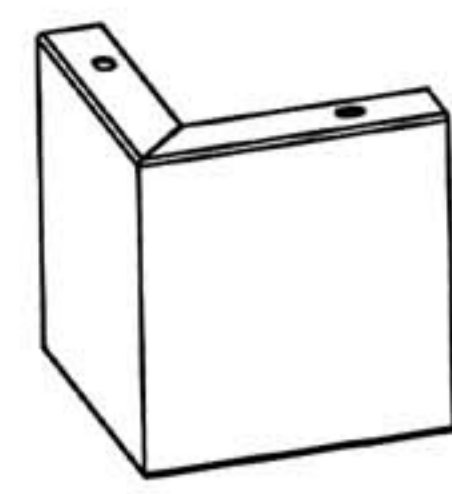
Please take care of the screws and contact the after-sales service if there is any problem with the installation or parts.



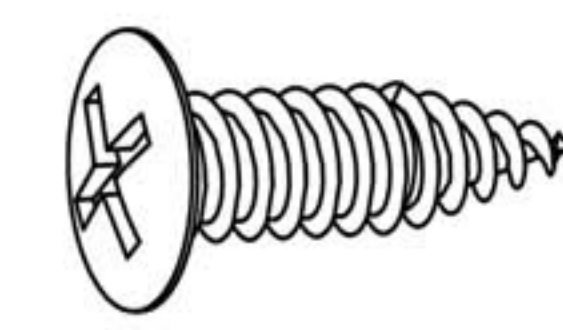
E-mail: cs.helper01@gmail.com

STEP 5

Parts required



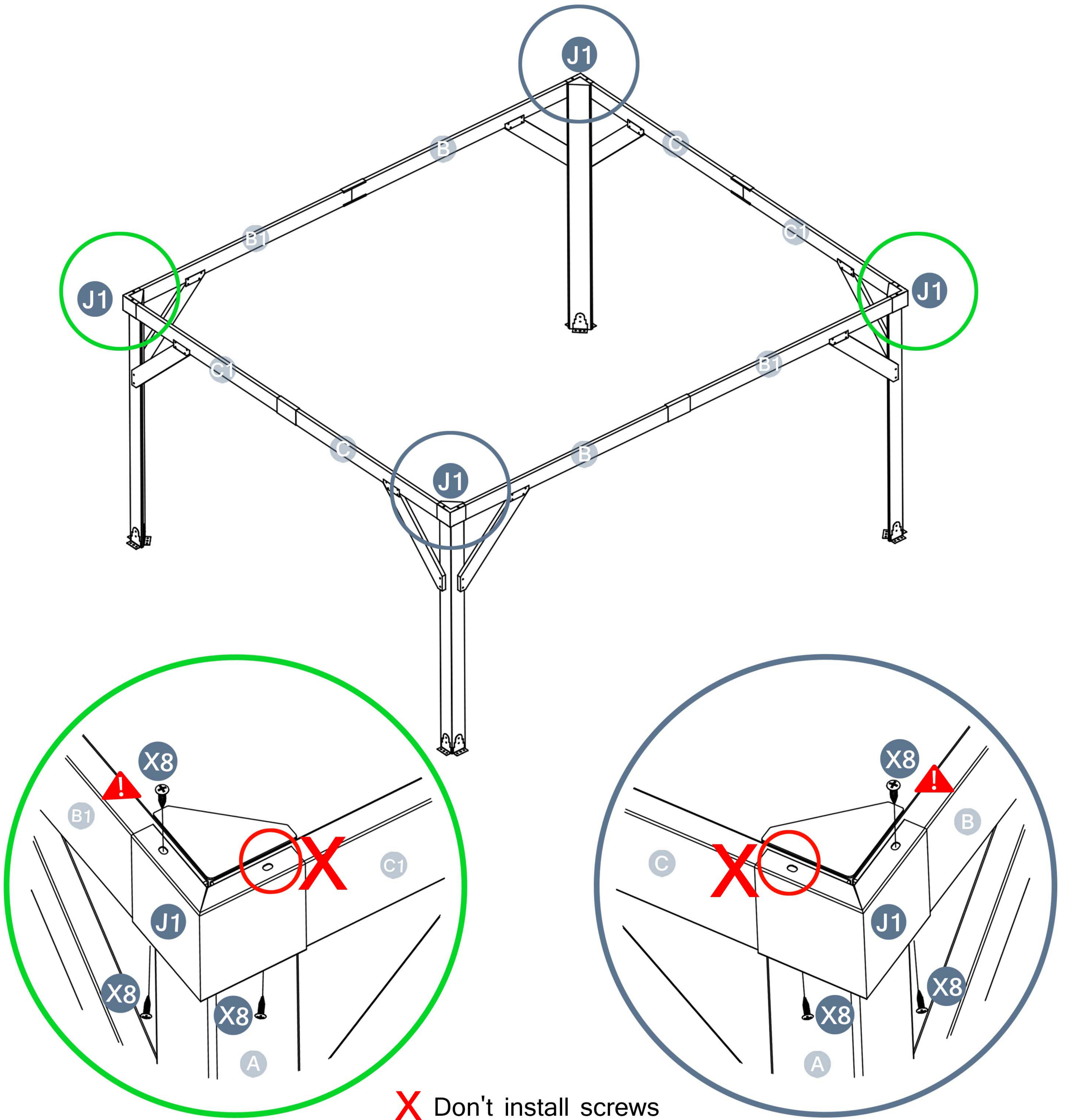
J1 4pcs



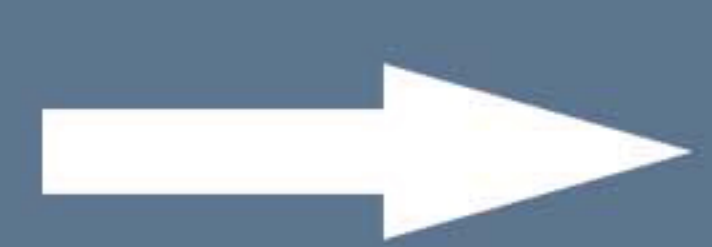
X8 12pcs



Please Note that the X8 circled in red is a self-tapping nail without hole, it can be directly tightened.



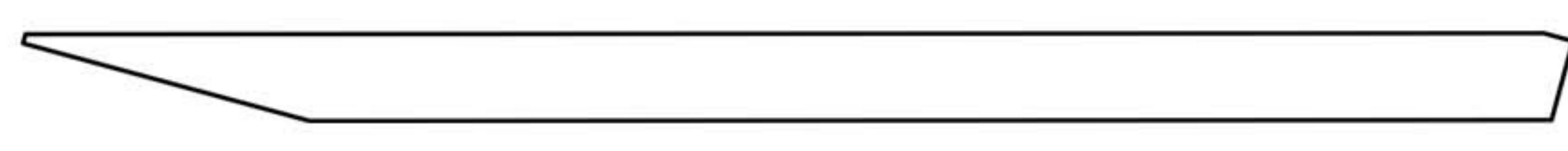
Please take care of the screws and contact the after-sales service if there is any problem with the installation or parts.



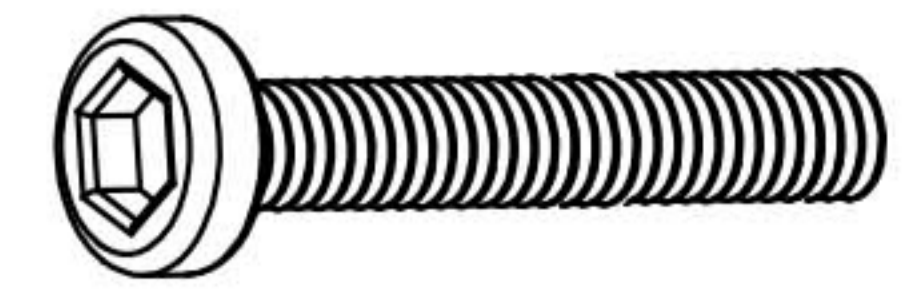
E-mail: cs.helper01@gmail.com

STEP 6

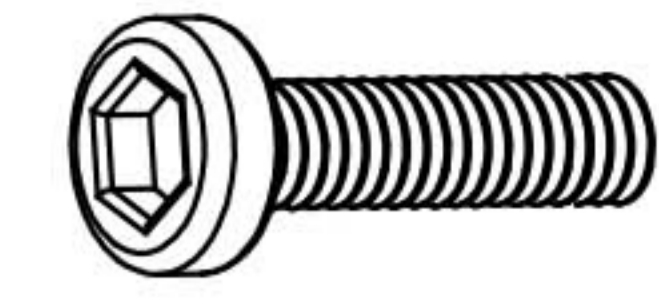
Parts required



E 4pcs



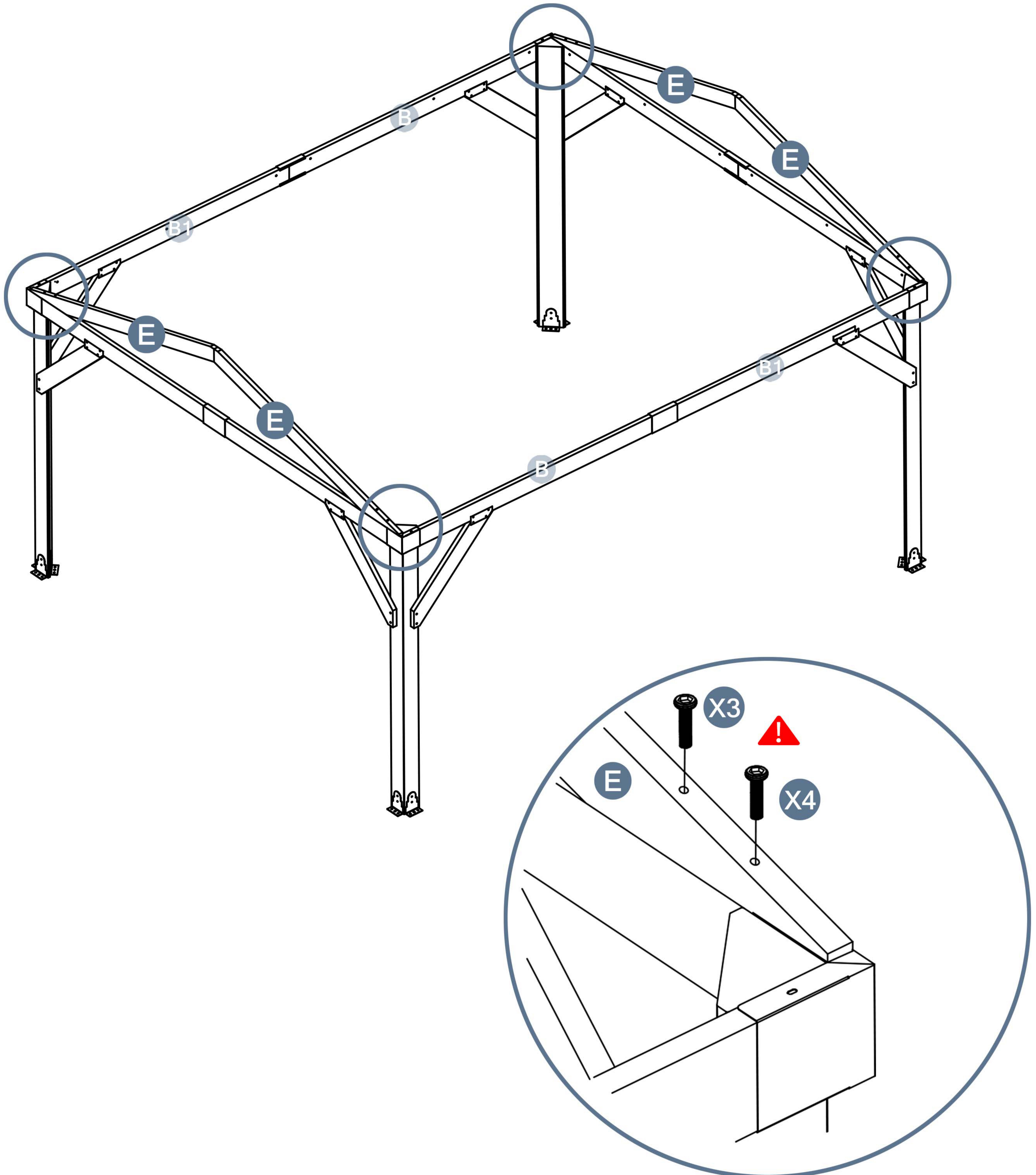
X3 4pcs



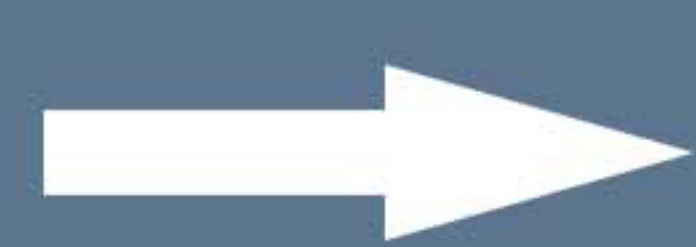
X4 4pcs



Please note that different screws are being used.

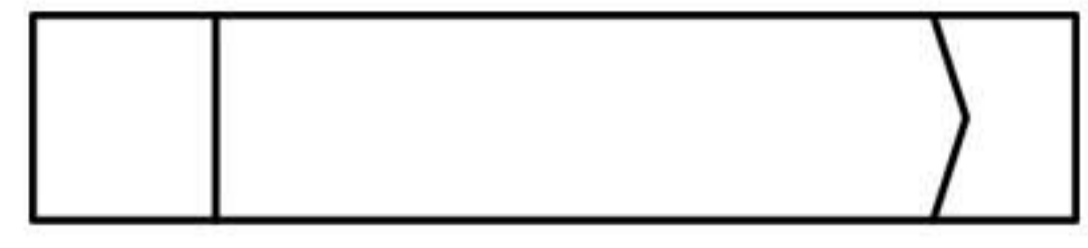
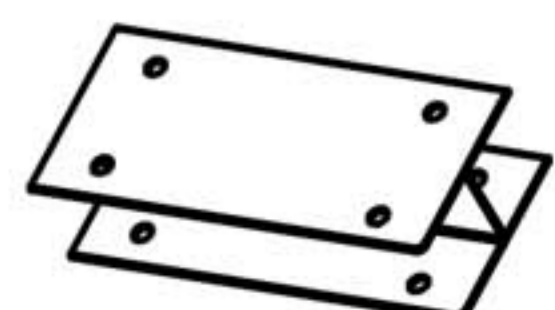
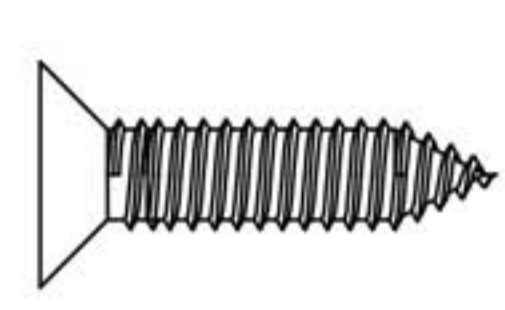
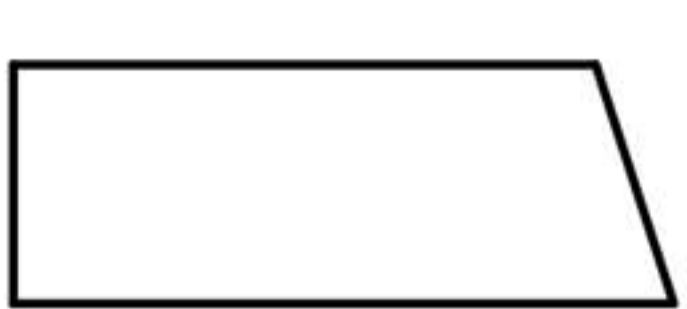
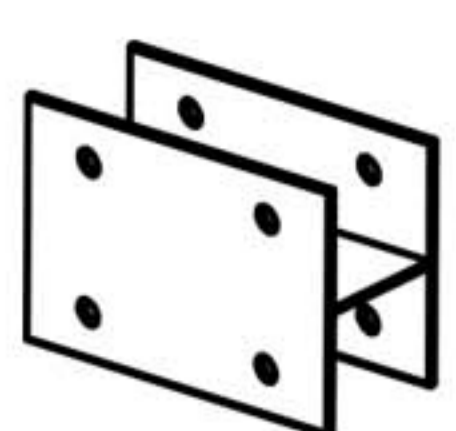
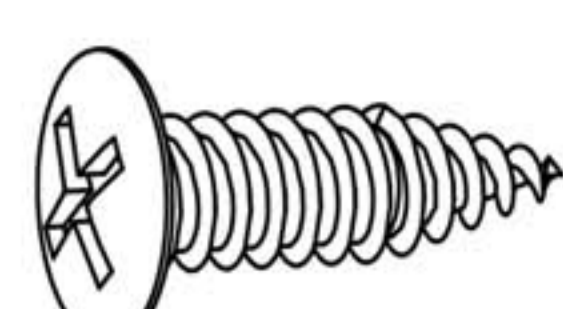


Please take care of the screws and contact the after-sales service if there is any problem with the installation or parts.

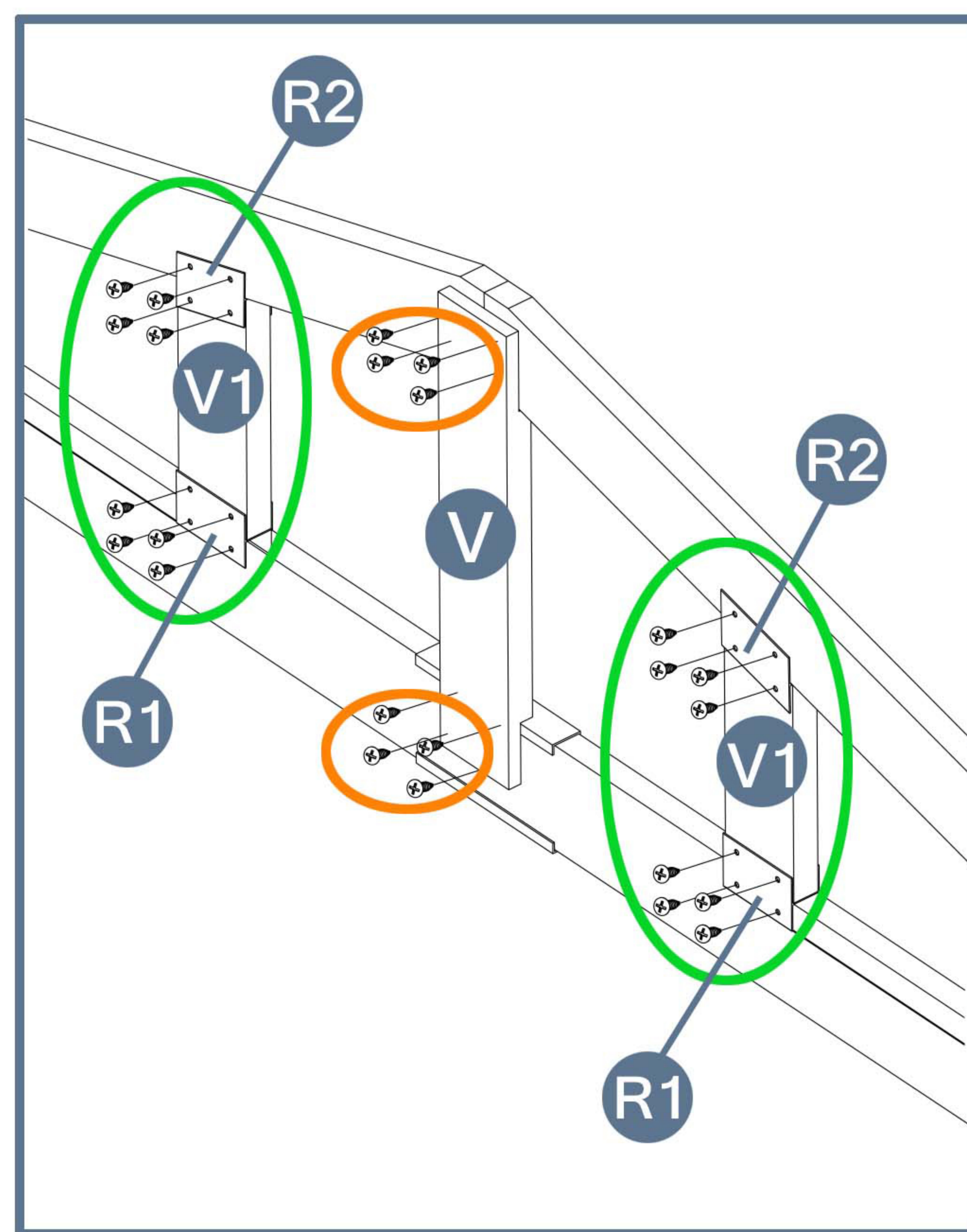
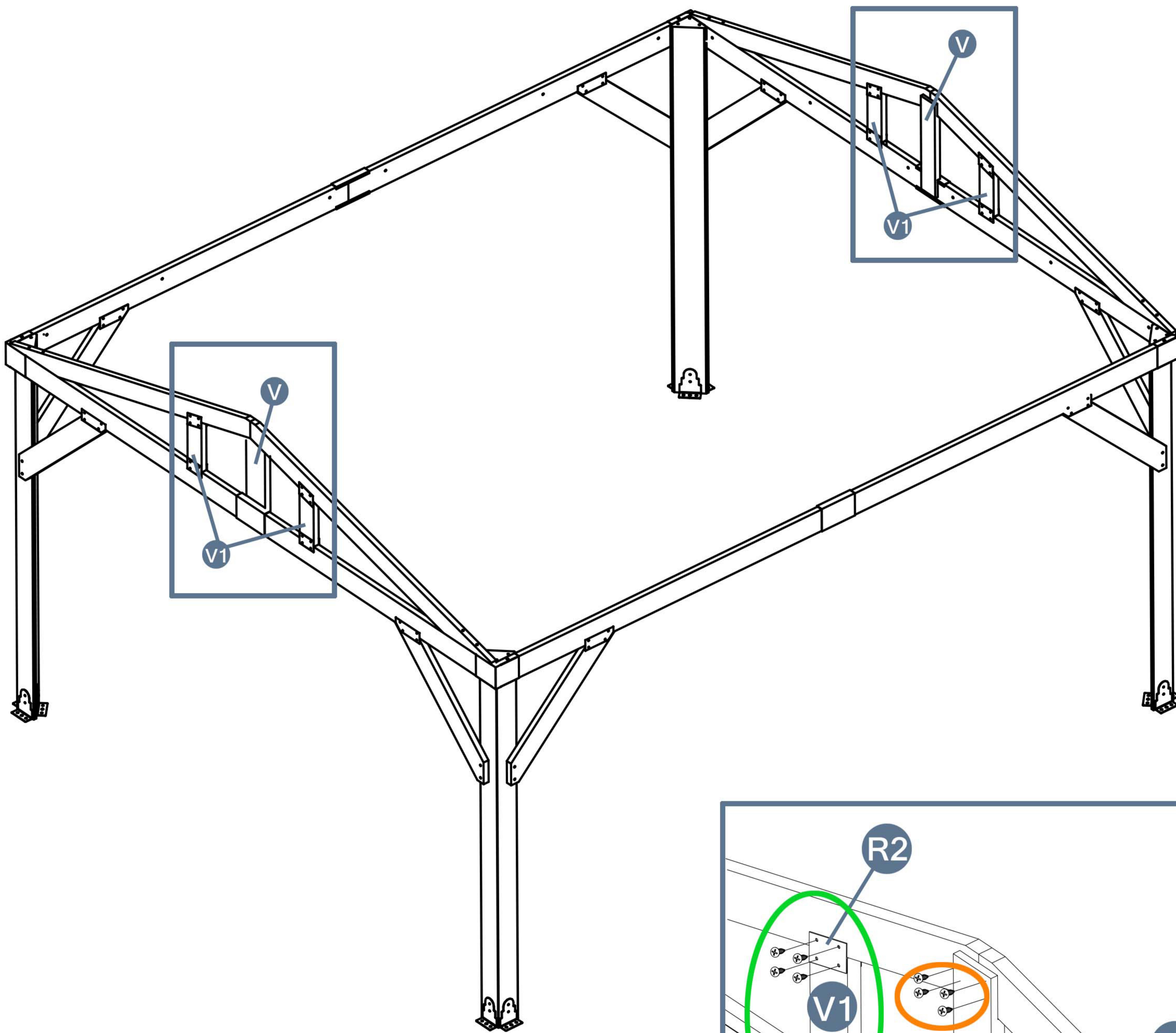


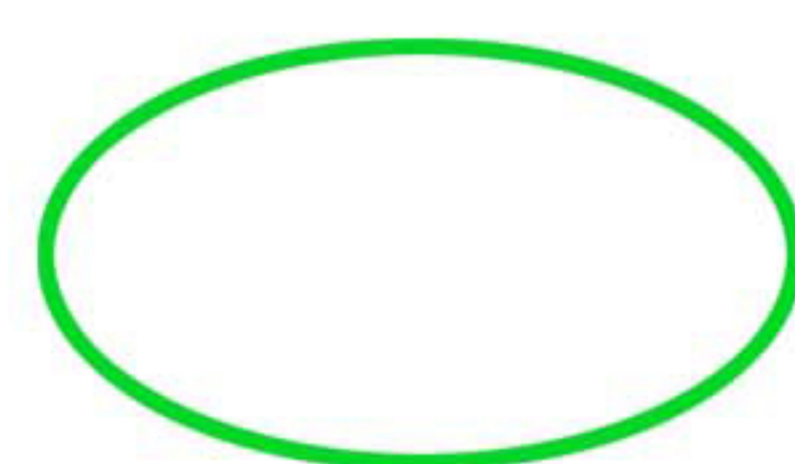
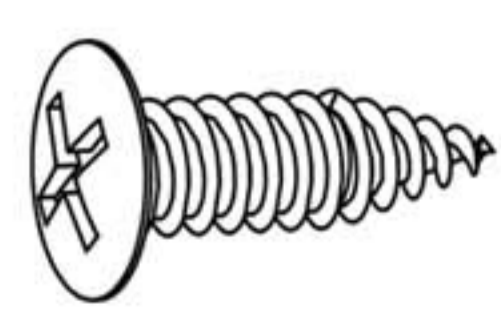


STEP 7

Parts required

- | | | | | | |
|---|----------------|---|----------------|---|-----------------|
|  | V 2pcs |  | R1 4pcs |  | X 16pcs |
|  | V1 4pcs |  | R2 4pcs |  | X8 64pcs |

 Please note that different screws are being used.



- | | | |
|---|---|---------------|
|  |  | X8 X16 |
|  |  | X X4 |




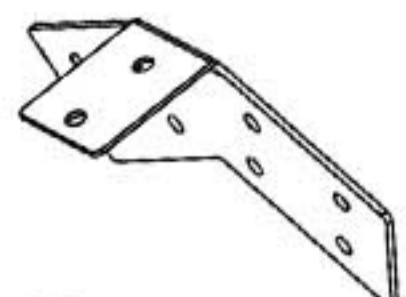
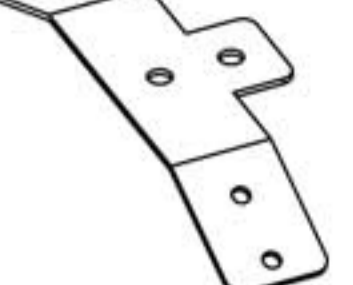
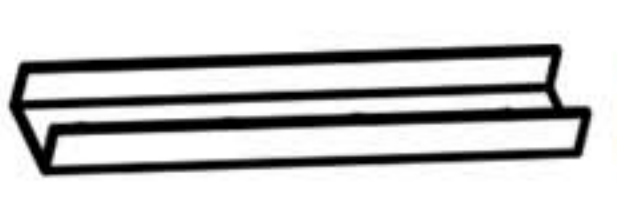

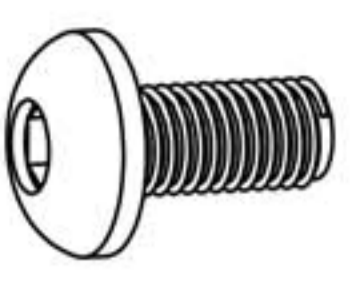
● This picture is an internal view.

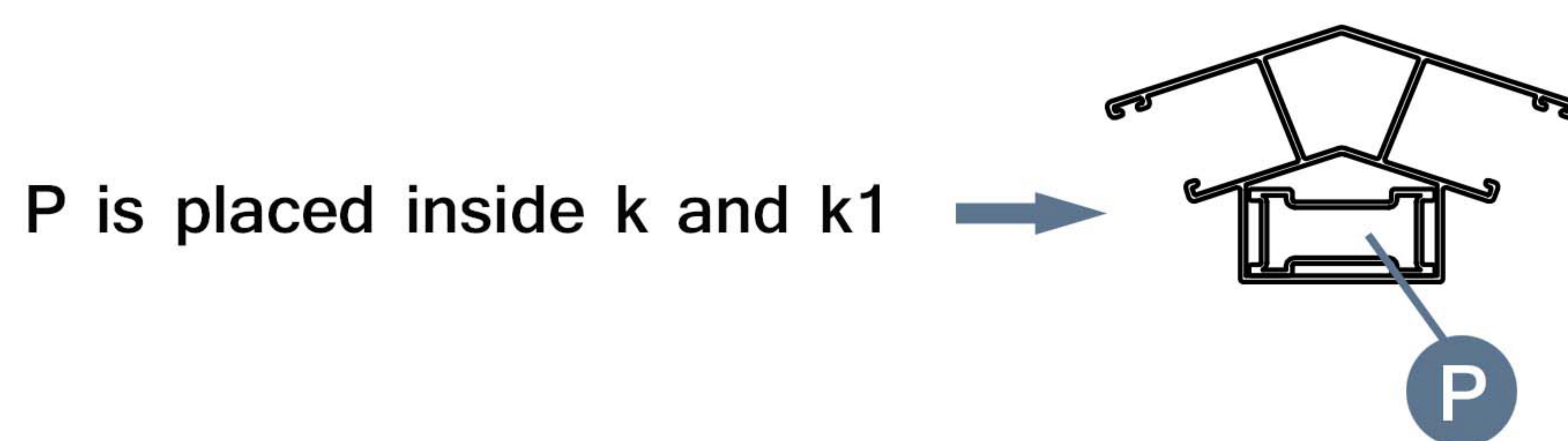
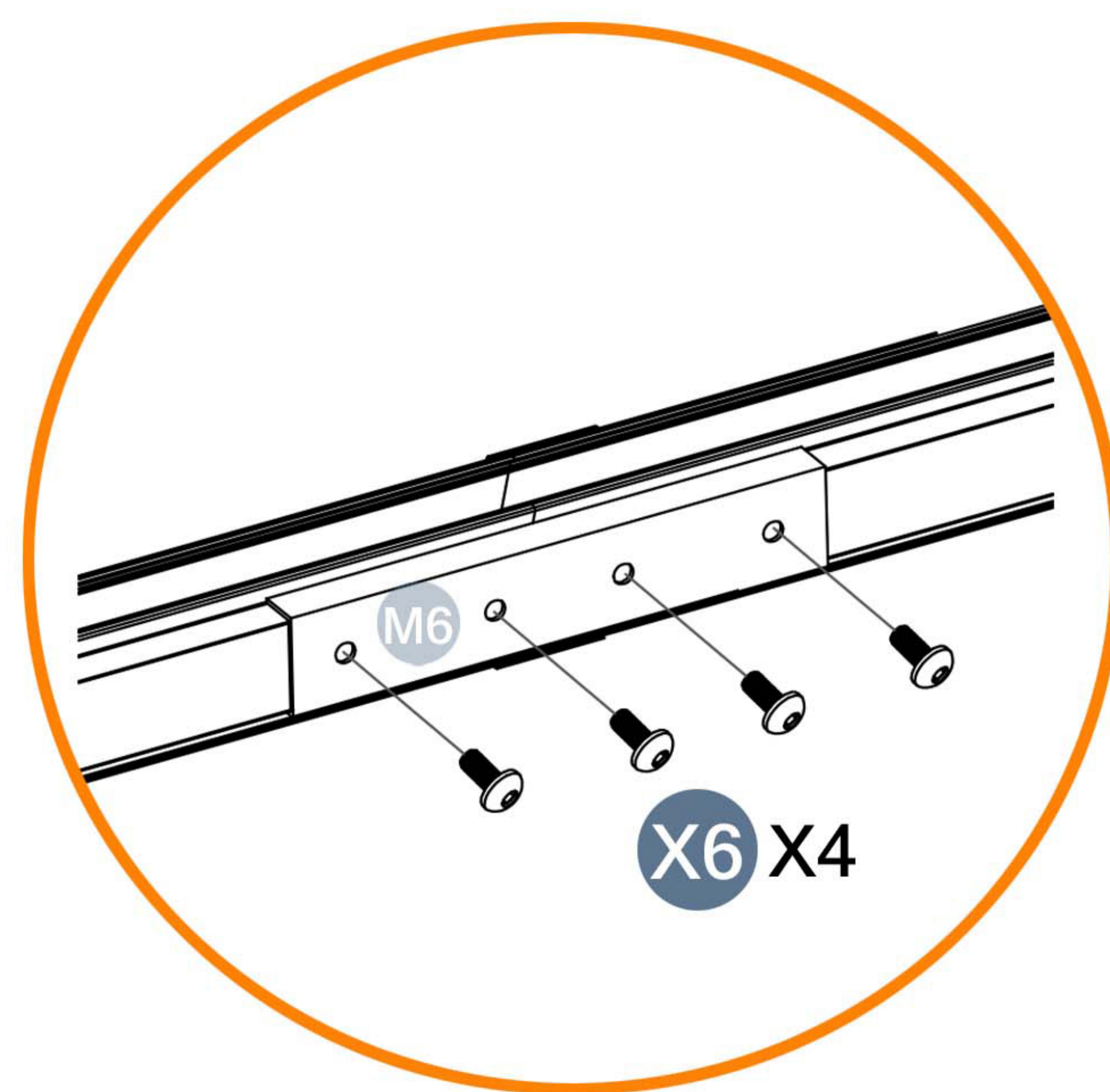
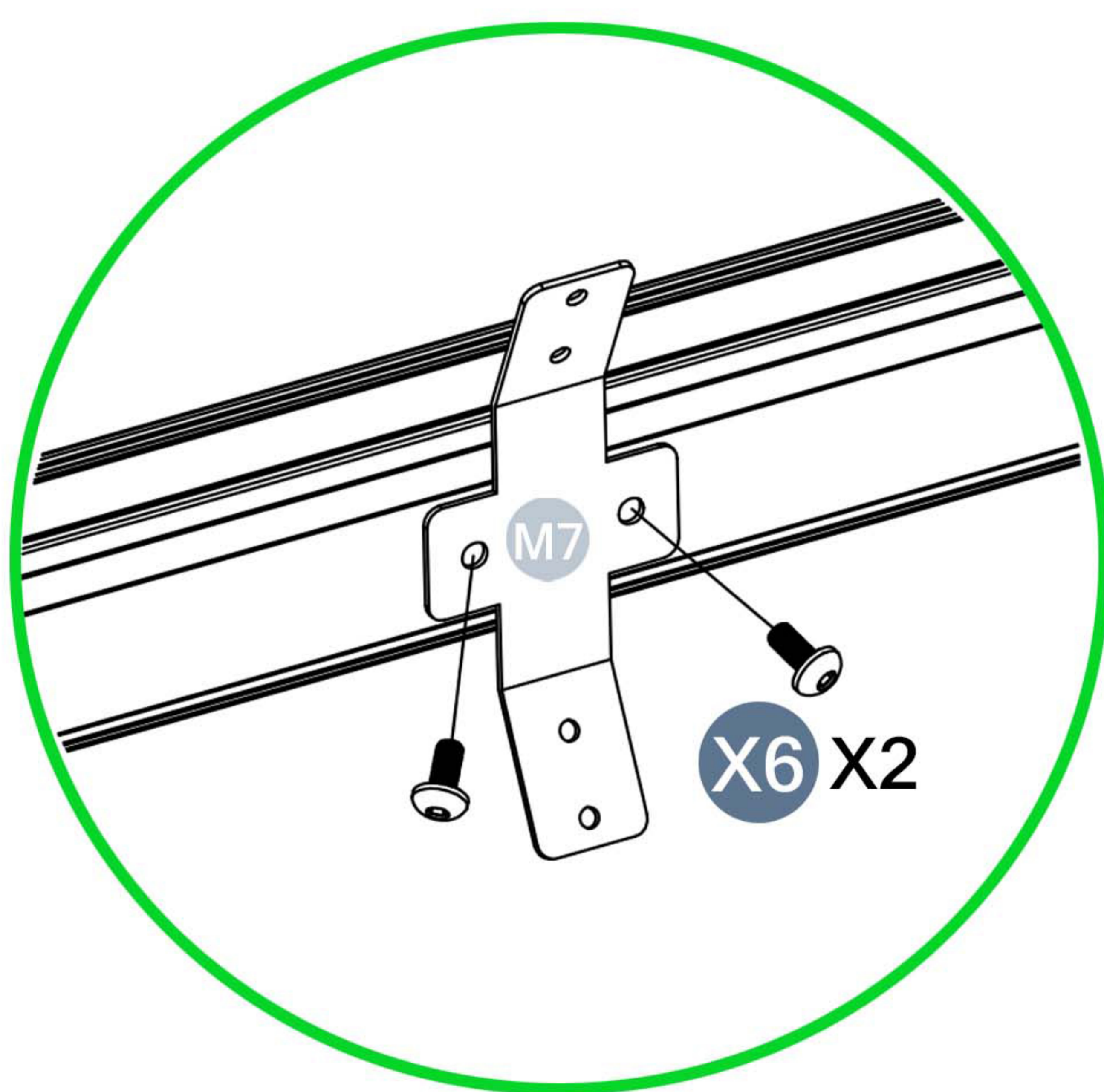
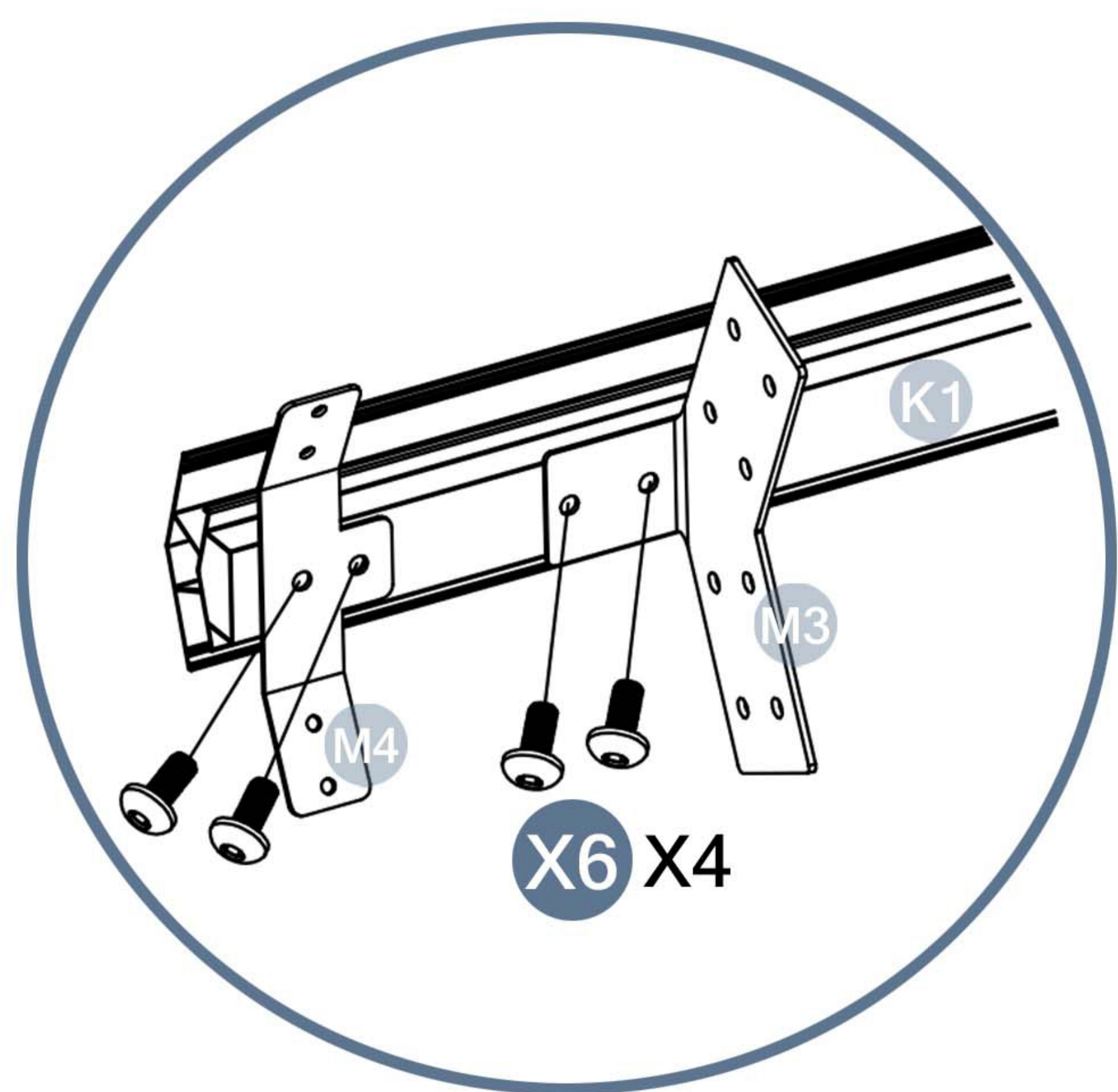
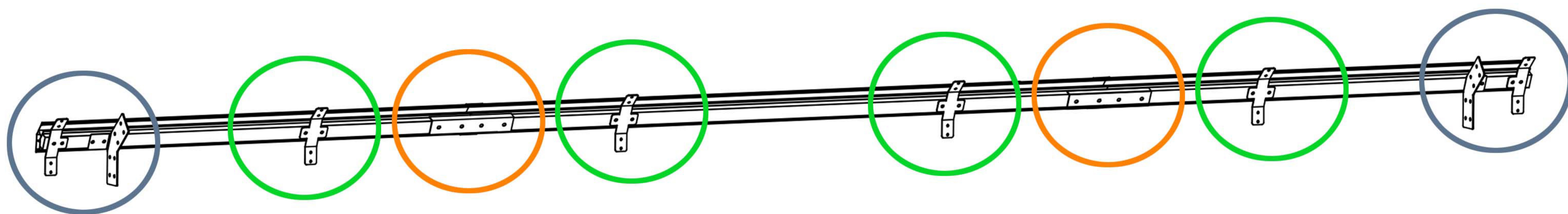
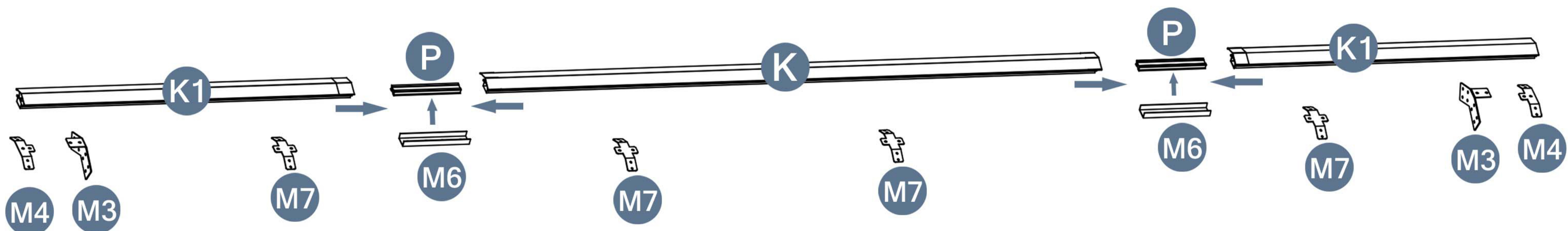
Please take care of the screws and contact the after-sales service if there is any problem with the installation or parts.

  E-mail: cs.helper01@gmail.com

STEP 8

Parts required

-  **K** 1pcs
-  **K1** 2pcs
-  **P** 2pcs
-  **M3** 2pcs
-  **M4** 2pcs
-  **M6** 2pcs
-  **M7** 4pcs
-  **X6** 24pcs

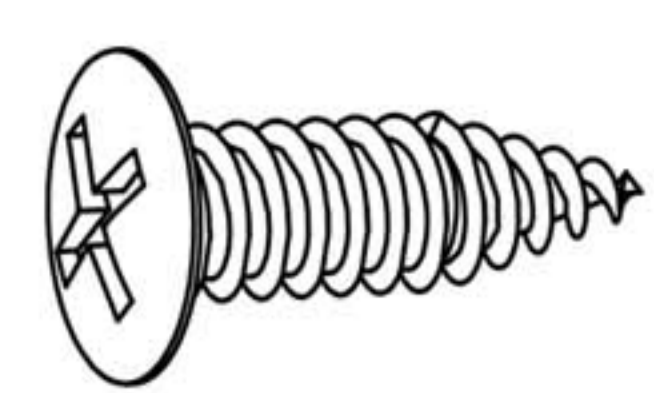


Please take care of the screws and contact the after-sales service if there is any problem with the installation or parts.

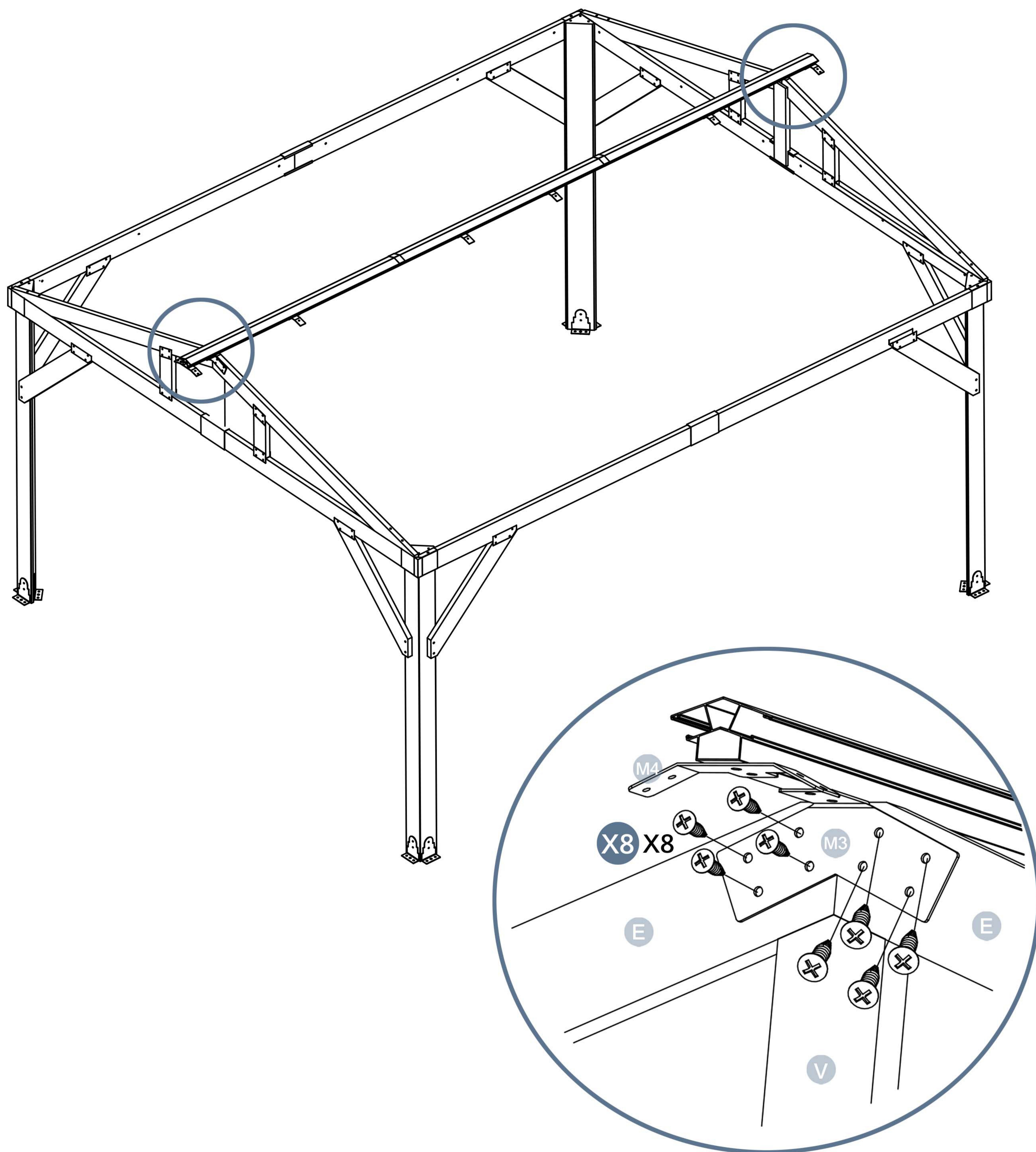
➔ ✉ E-mail: cs.helper01@gmail.com

STEP 9

Parts required



X8 16pcs



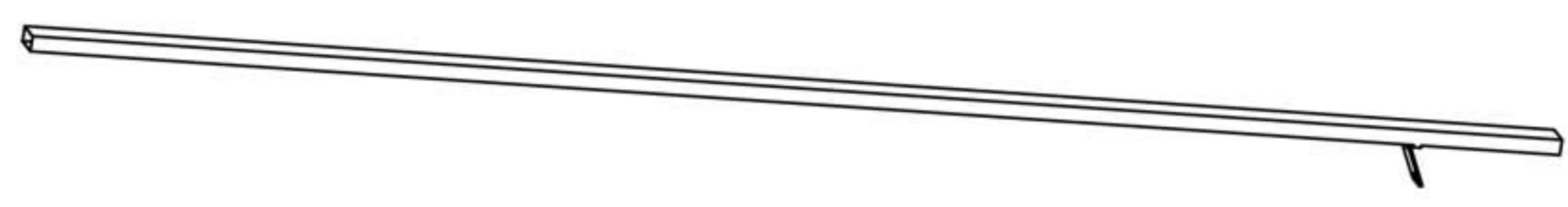
Please take care of the screws and contact the after-sales service if there is any problem with the installation or parts.



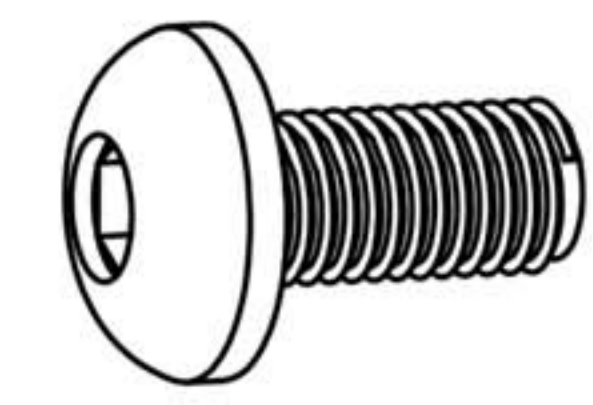
E-mail: cs.helper01@gmail.com

STEP 10

Parts required

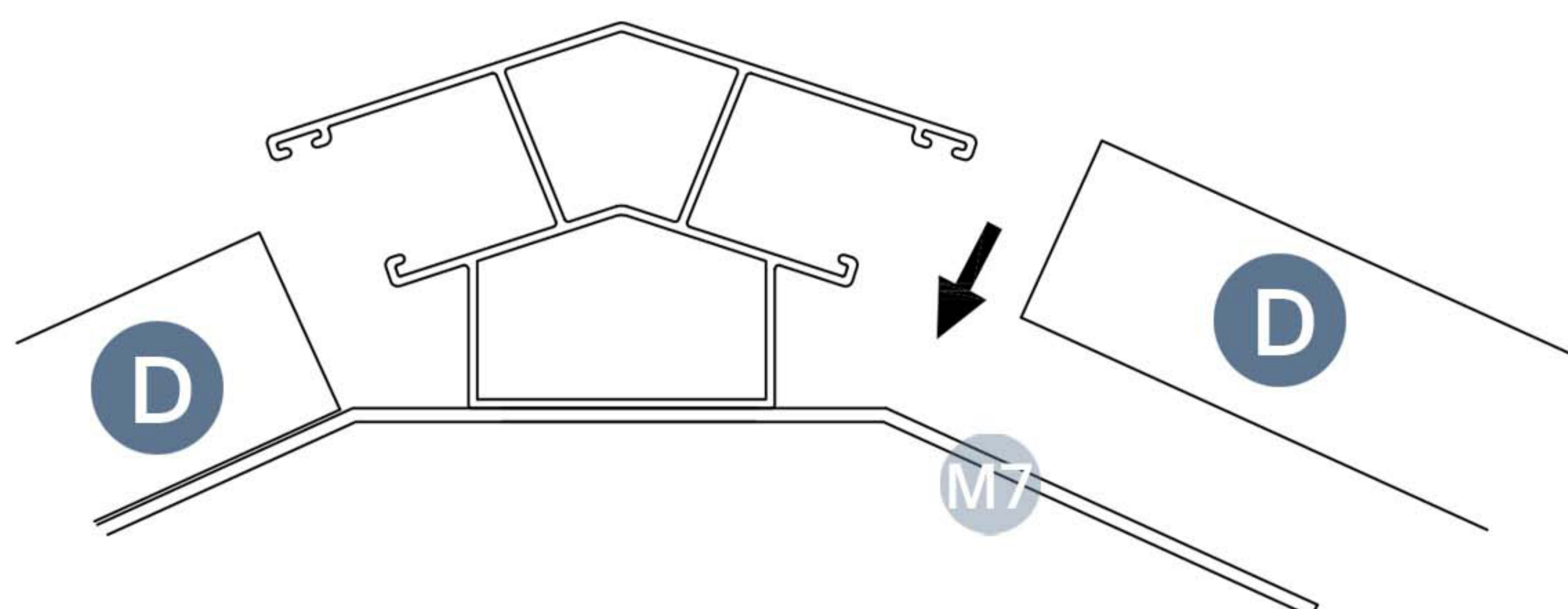
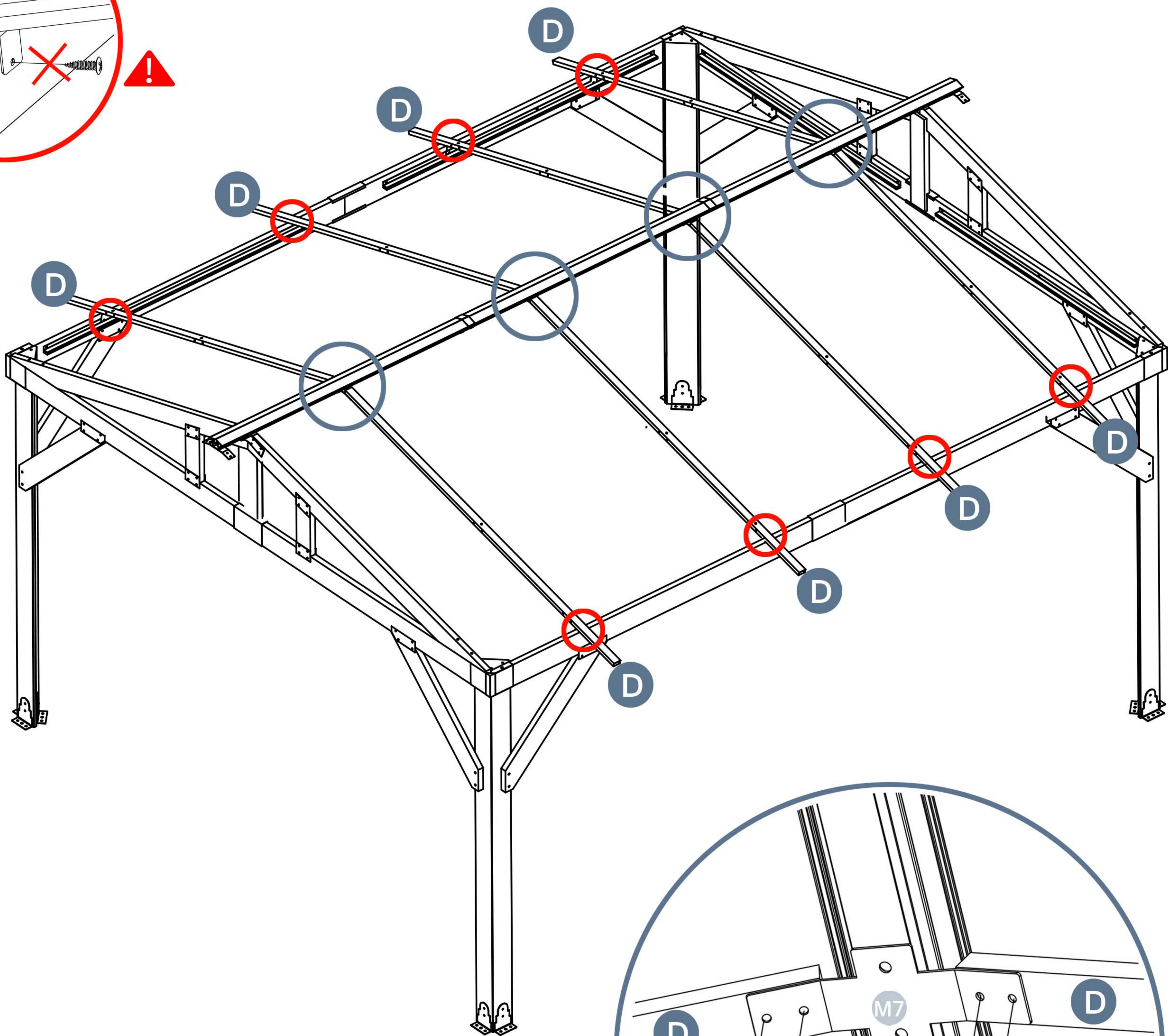
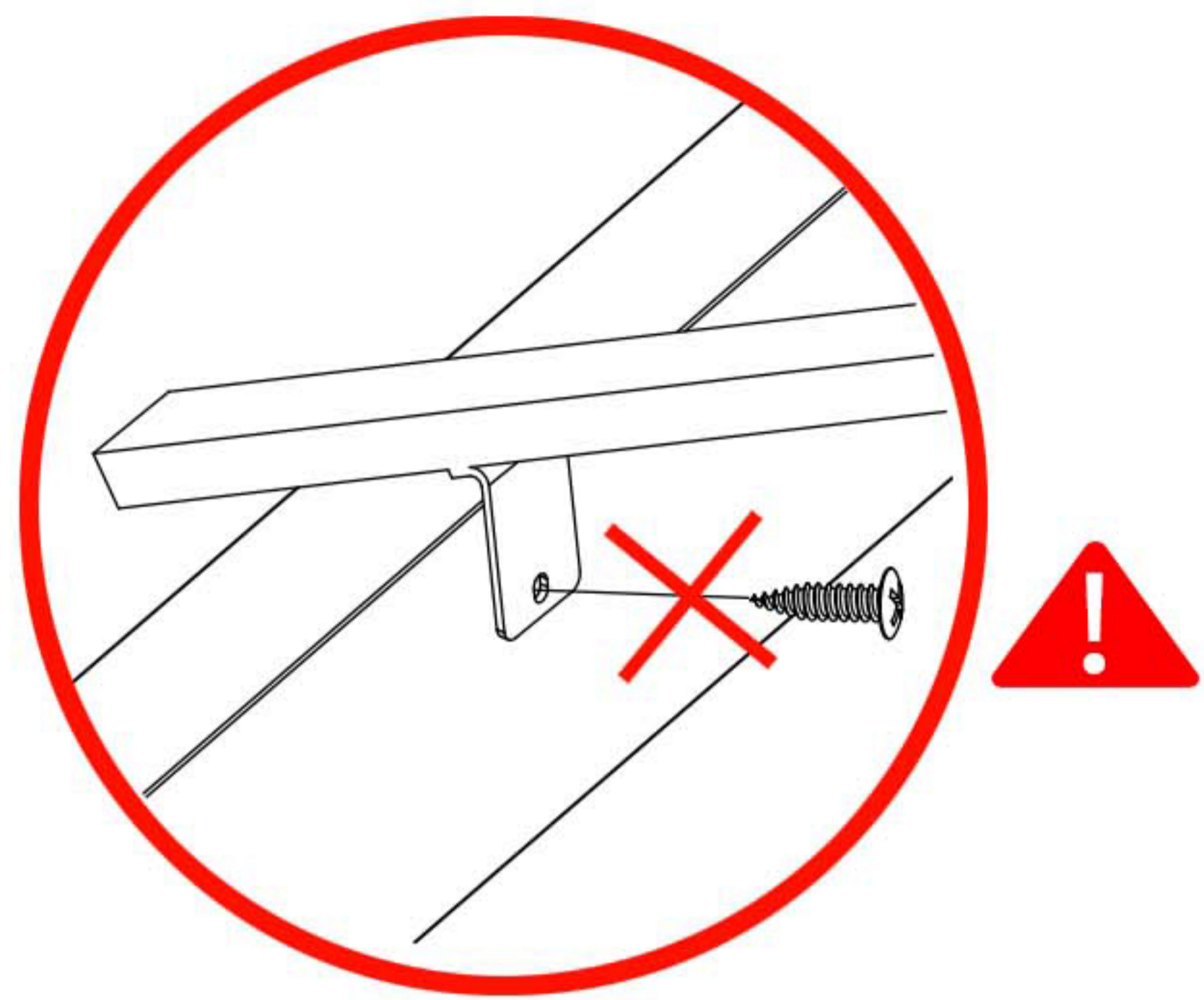


D 8pcs

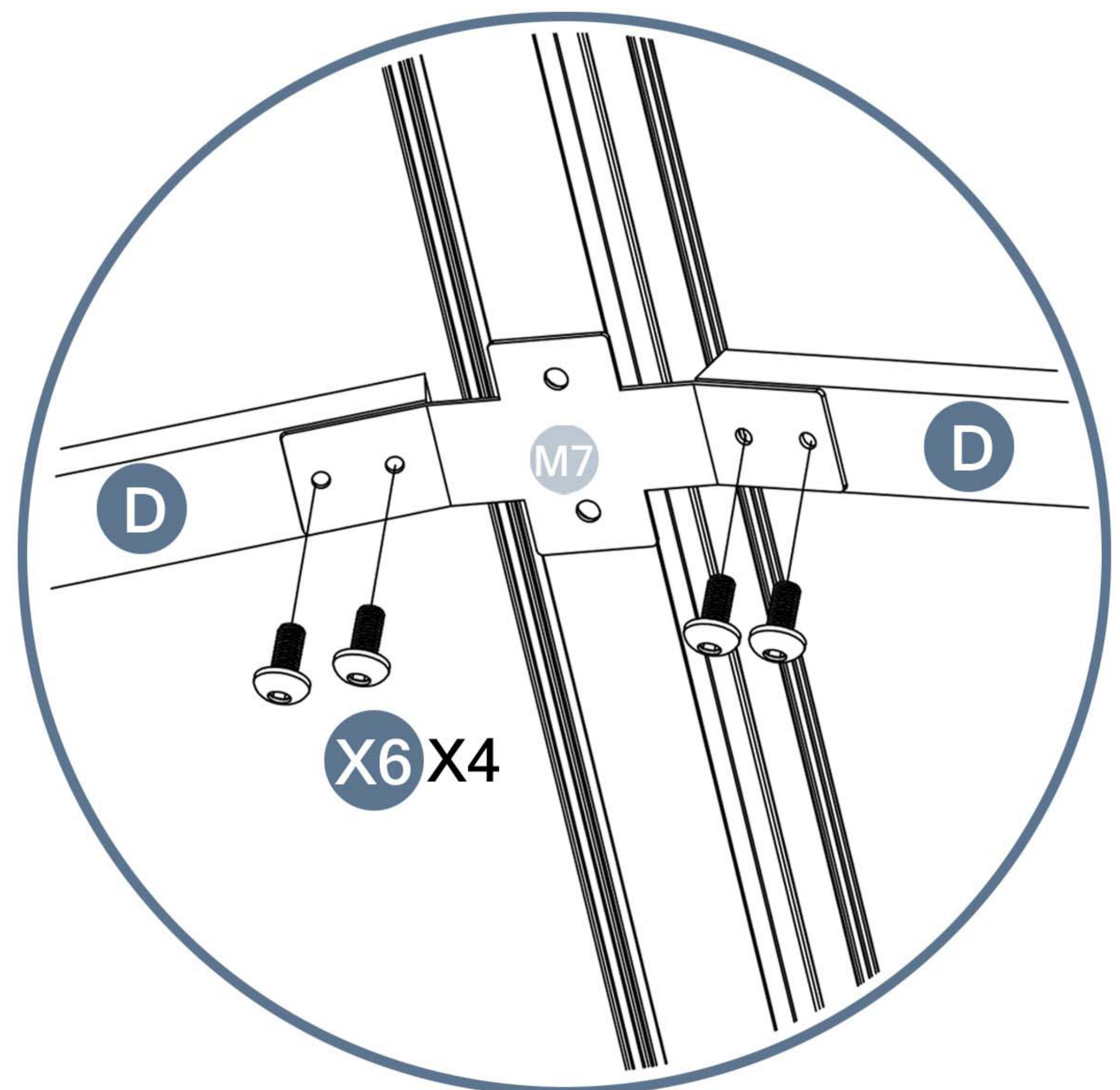


X6 16pcs

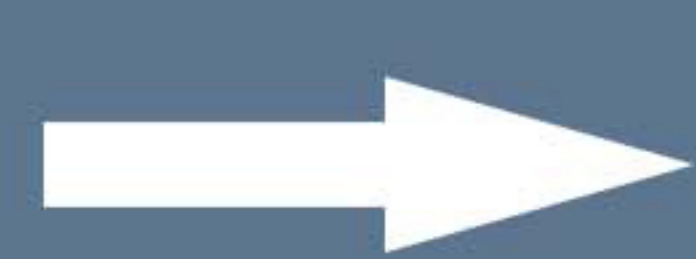
⚠ For the convenience of installation, it is not easy to screw at the red circle for the time being, and then screw again in step 19.



• Side view



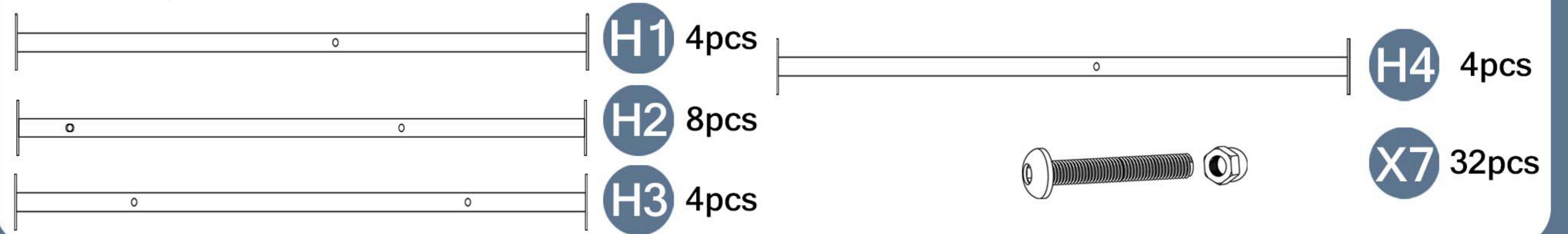
Please take care of the screws and contact the after-sales service if there is any problem with the installation or parts.



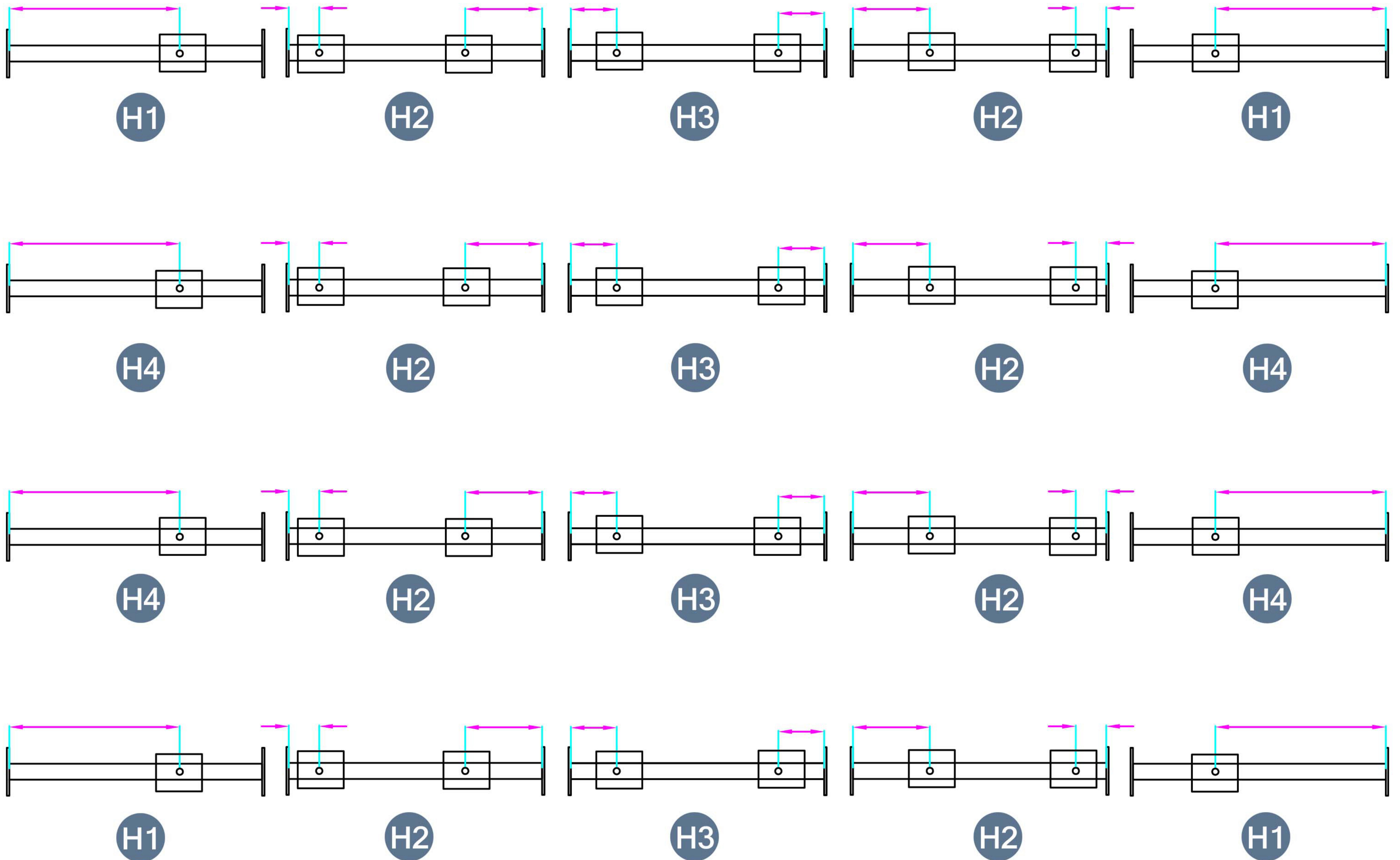
E-mail: cs.helper01@gmail.com

STEP 11

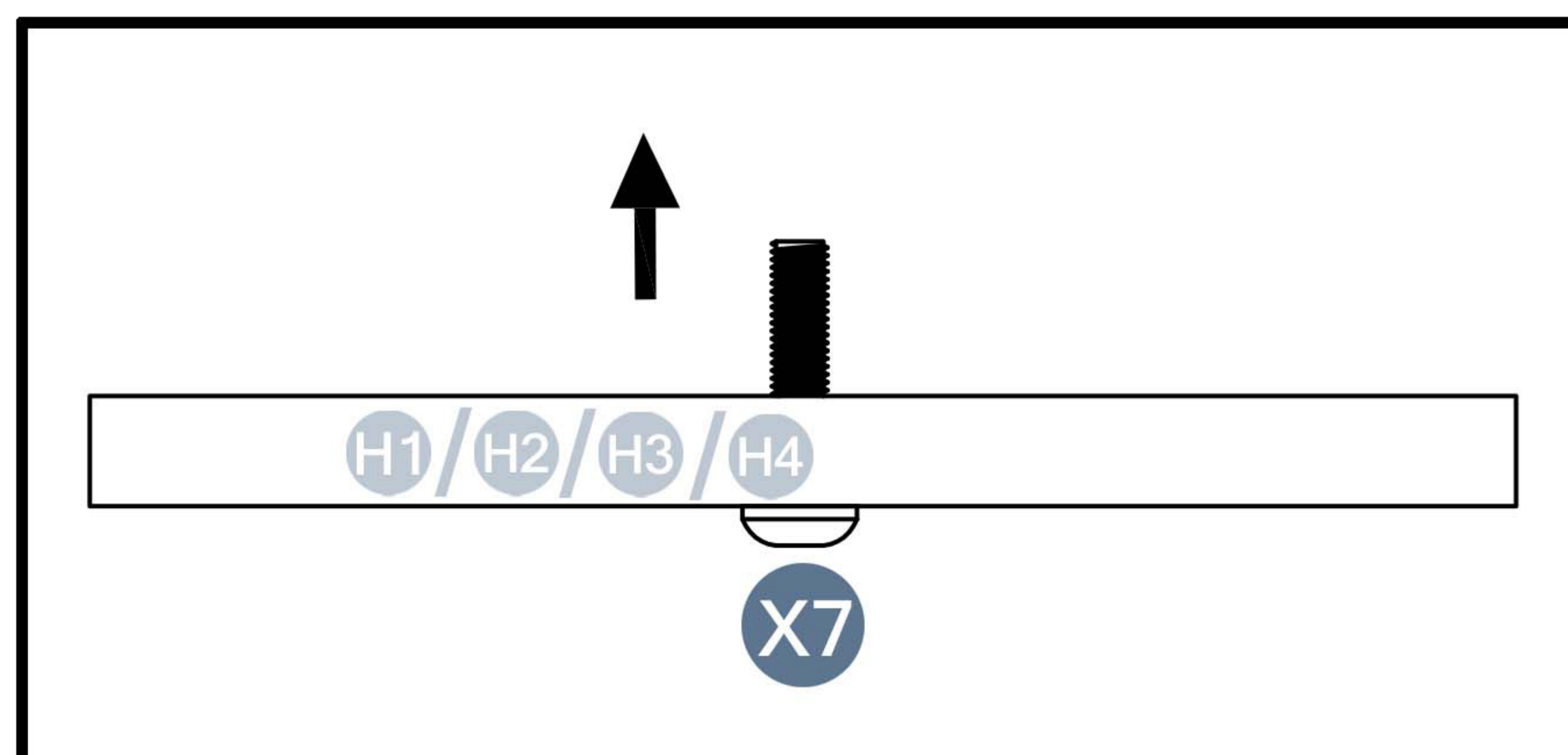
Parts required



Only X7 screws are used in this step. Please store the X7 nuts. Steps 15 and 16 will be used.



!!! In order to prevent mistakes, you can first classify and place them on the ground as shown in the picture.

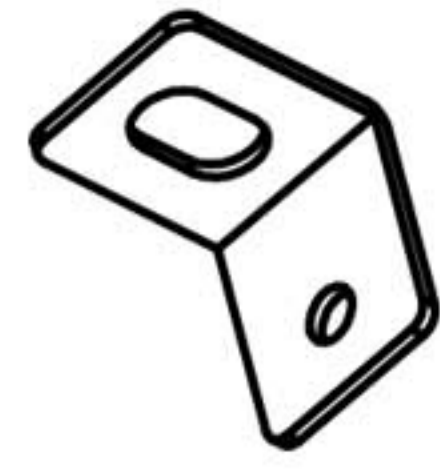


Please take care of the screws and contact the after-sales service if there is any problem with the installation or parts.

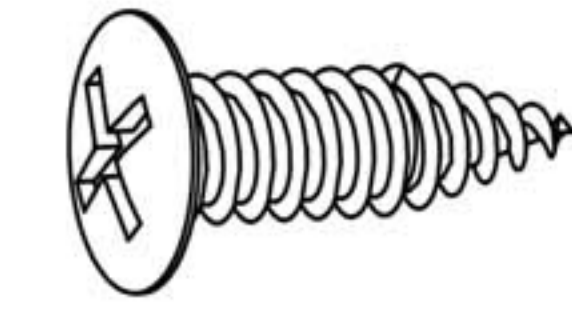
➔ ✉ E-mail: cs.helper01@gmail.com

STEP 12

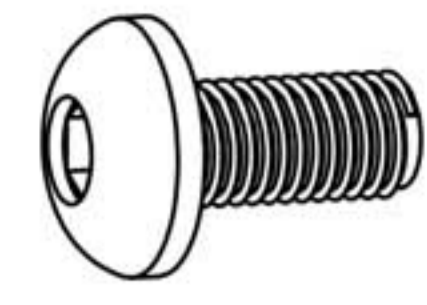
Parts required



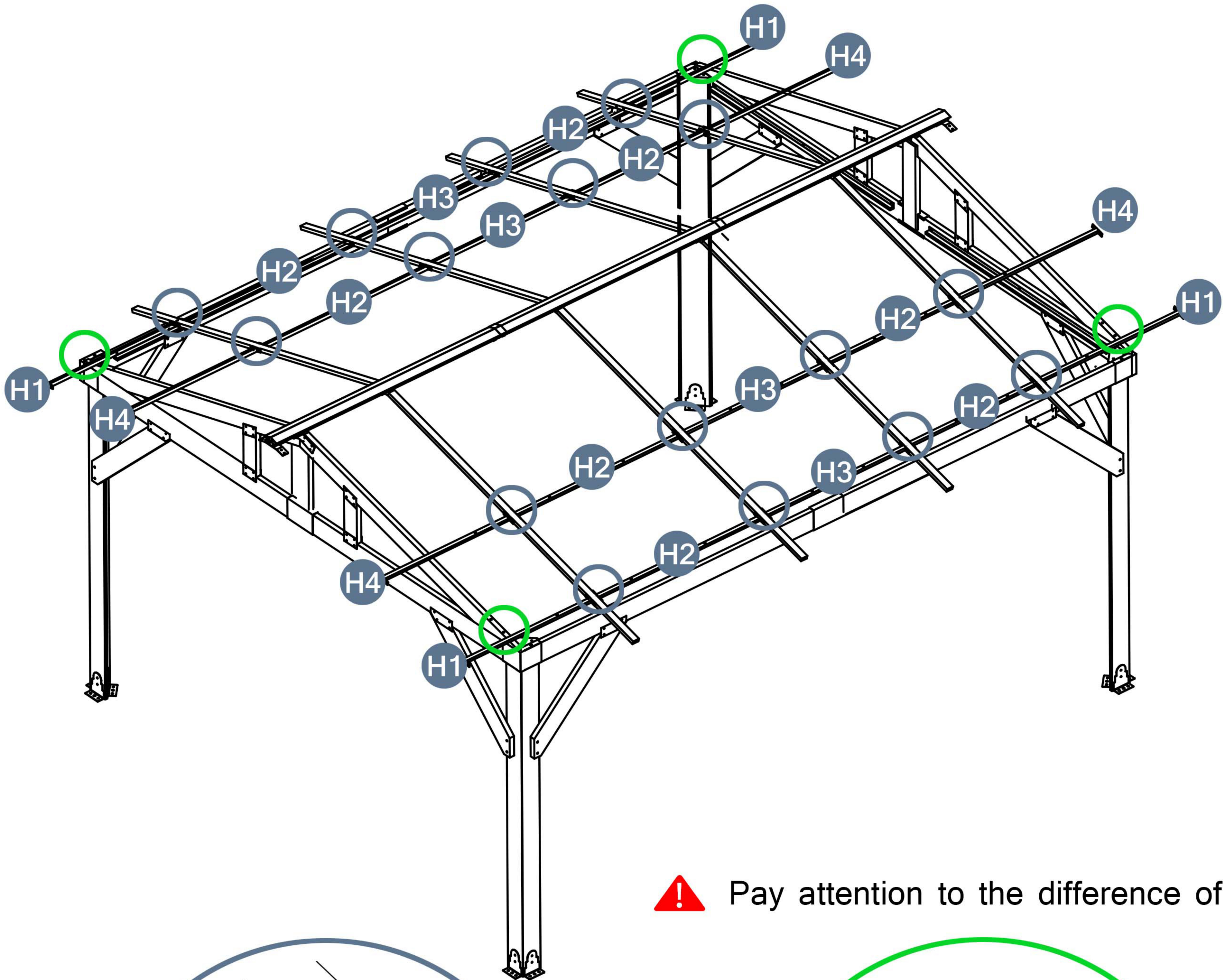
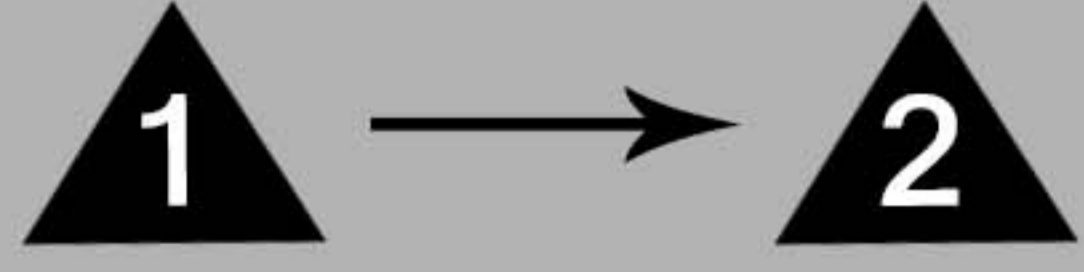
M9 4pcs



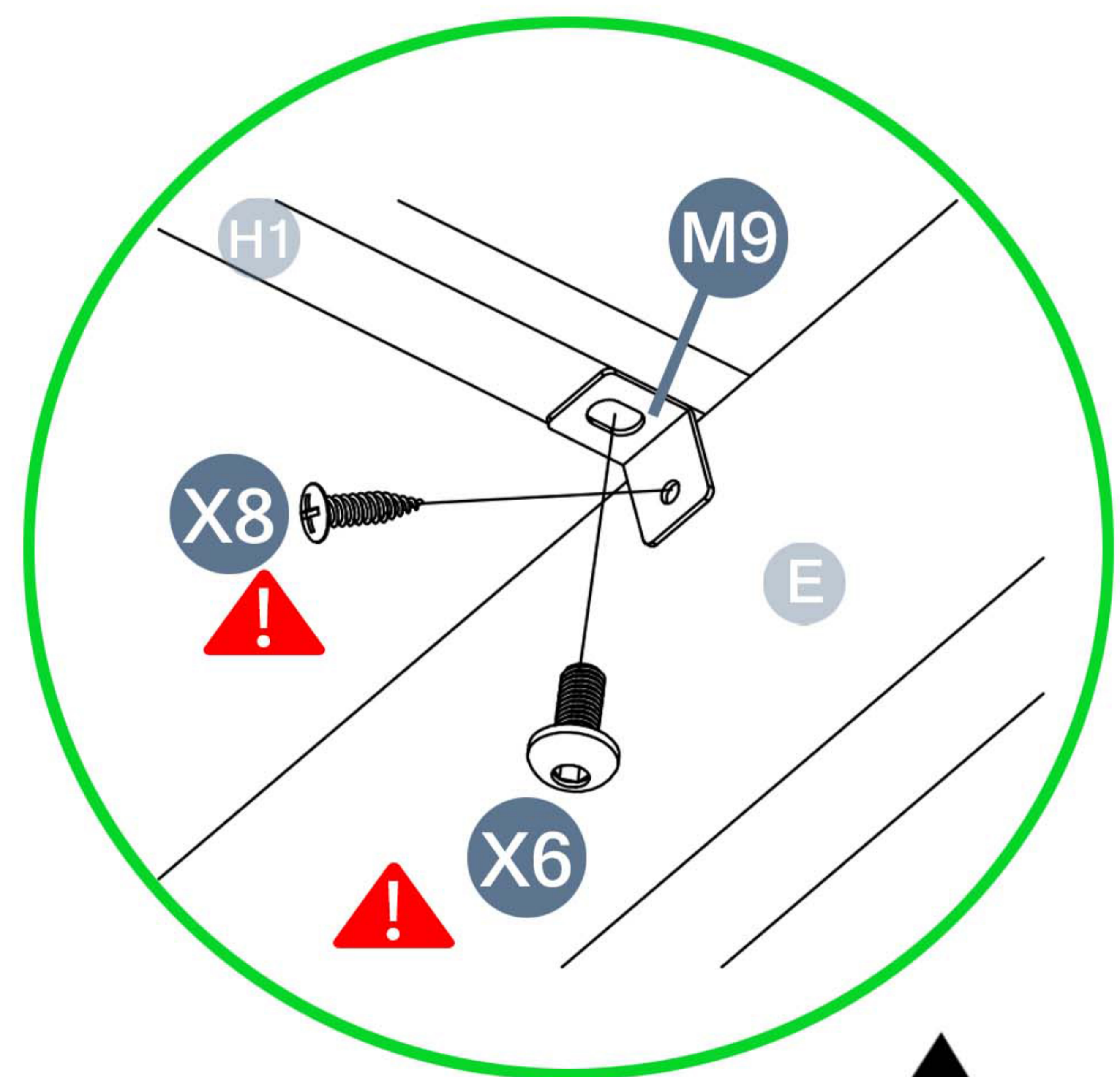
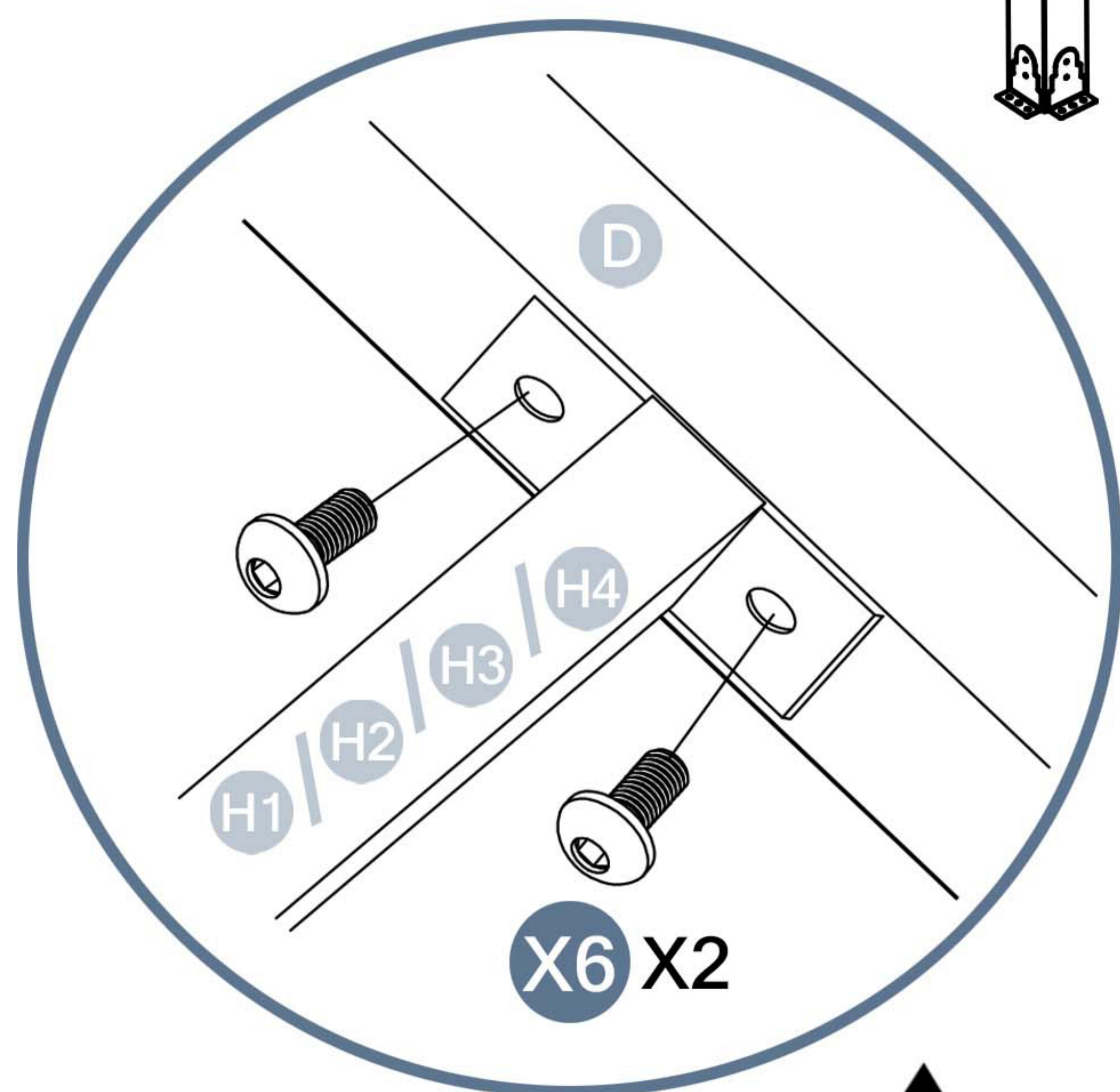
X8 4pcs



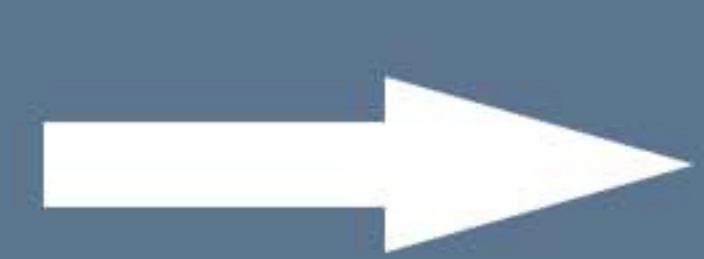
X6 68pcs



⚠ Pay attention to the difference of screws.



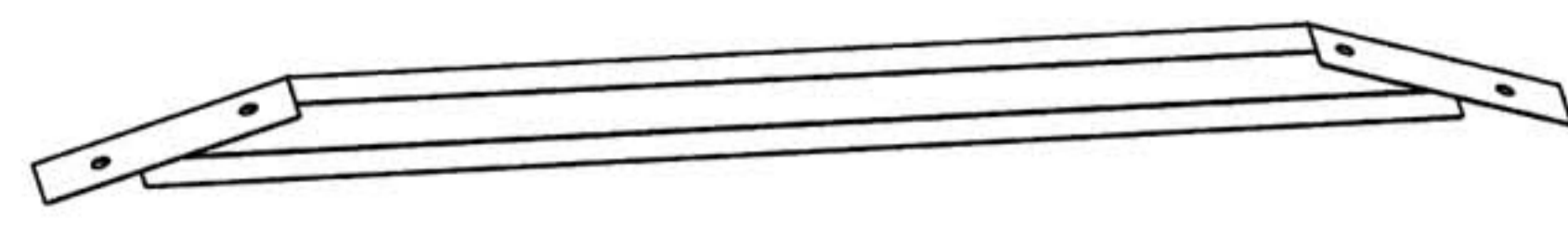
Please take care of the screws and contact the after-sales service if there is any problem with the installation or parts.



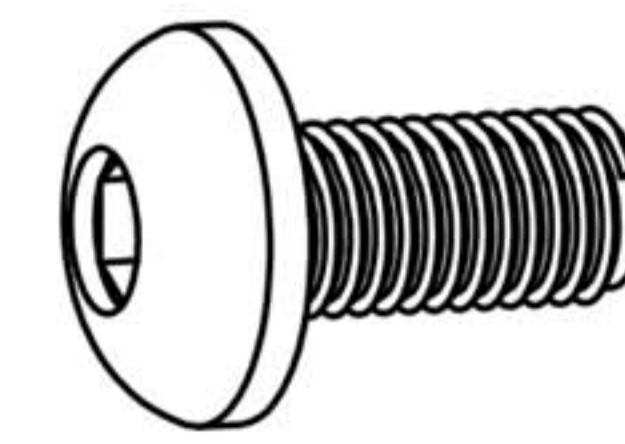
E-mail: cs.helper01@gmail.com

STEP 13

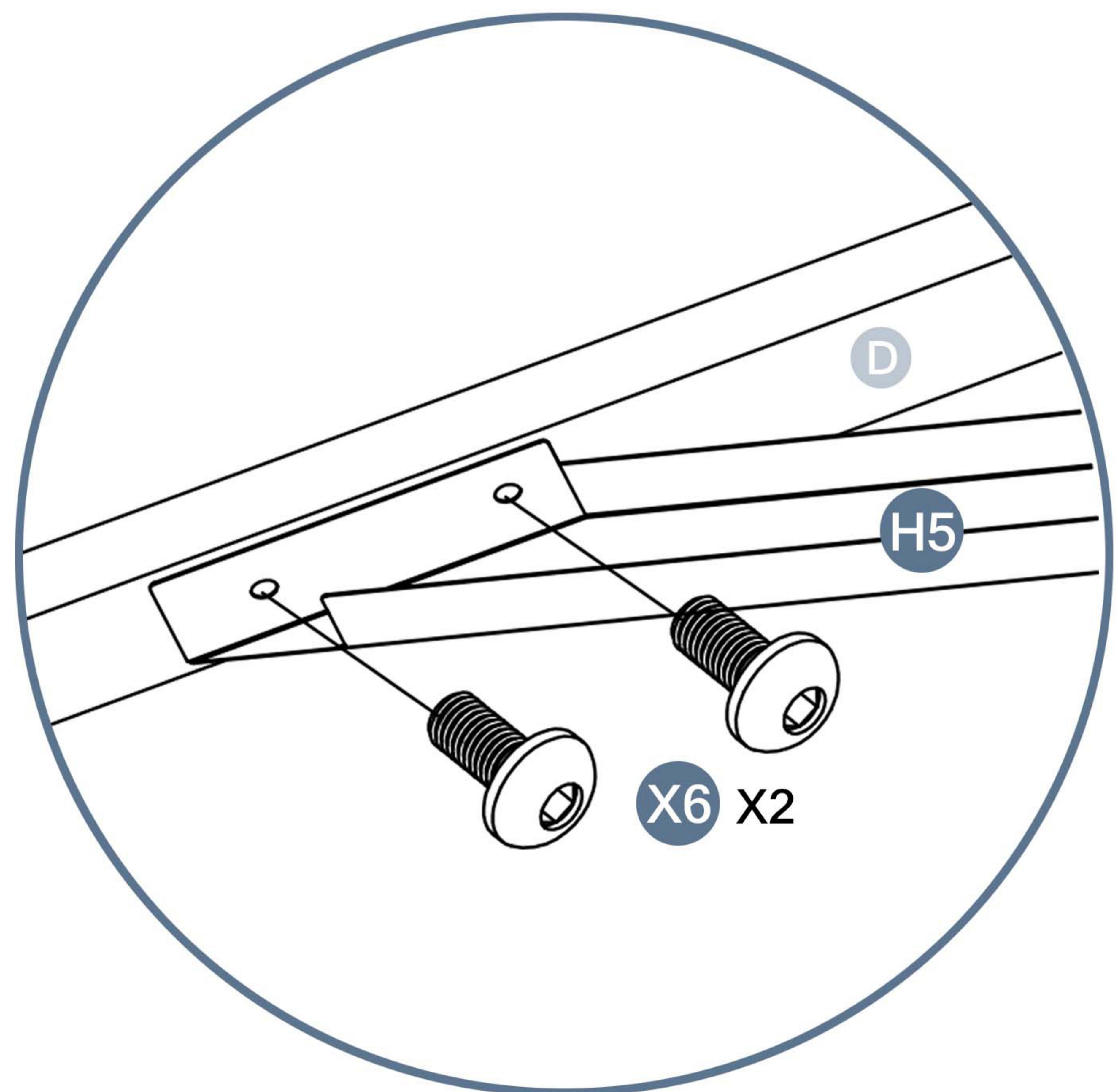
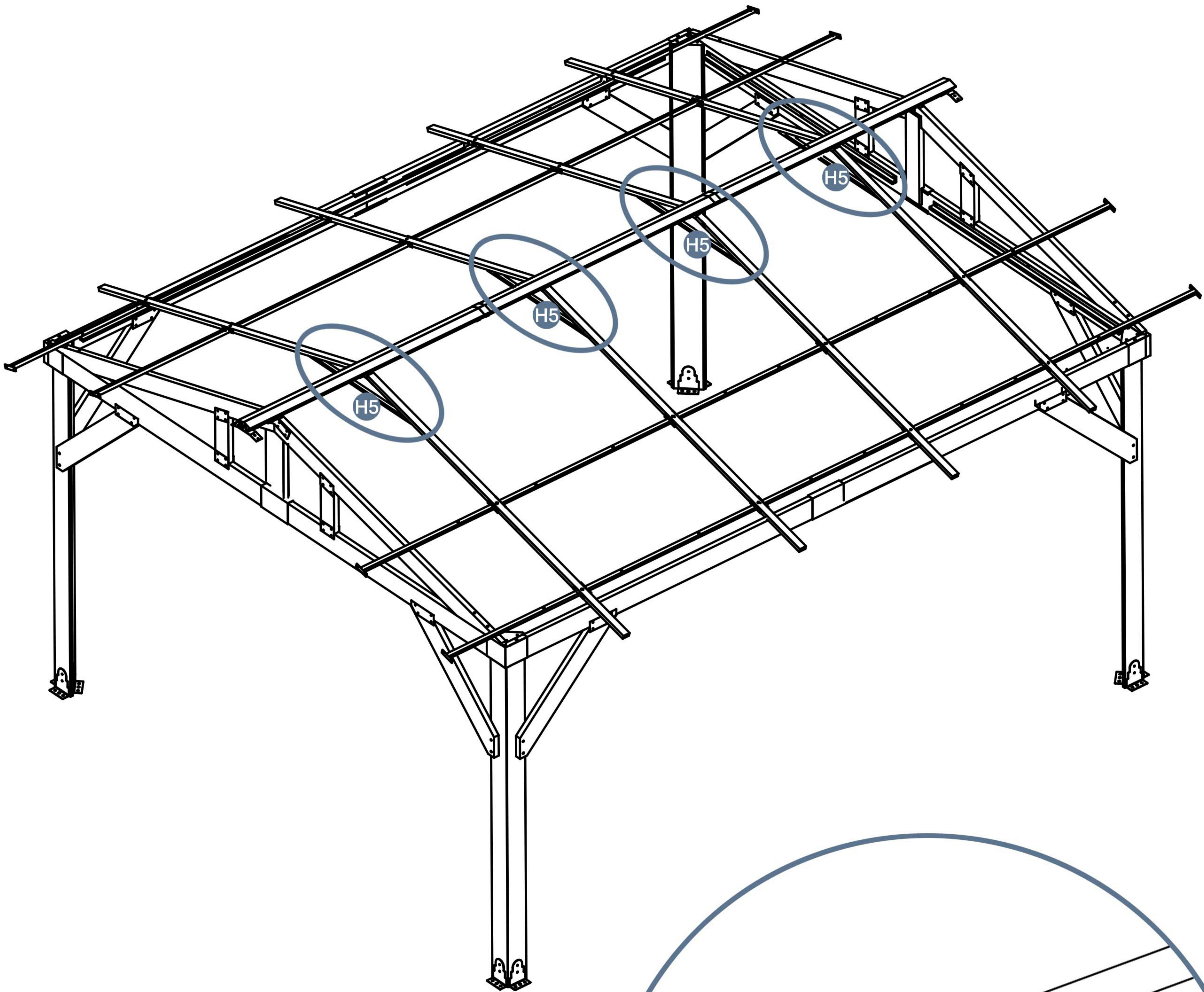
Parts required



H5 4pcs



X6 16pcs



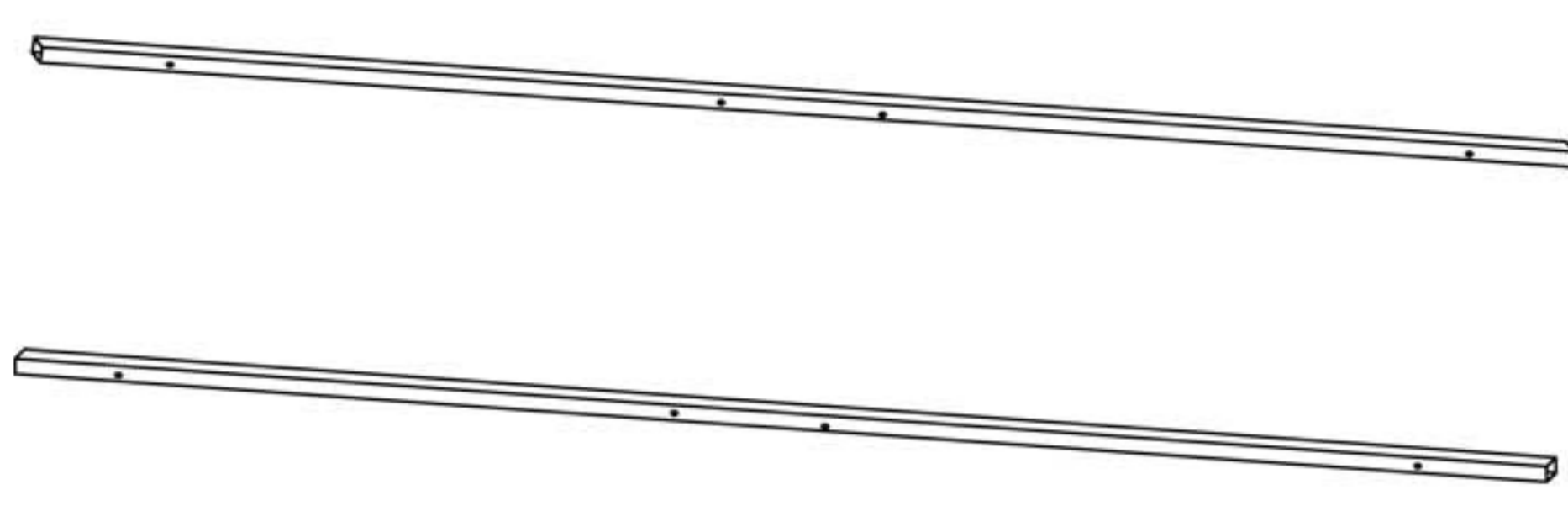
Please take care of the screws and contact the after-sales service if there is any problem with the installation or parts.



E-mail: cs.helper01@gmail.com

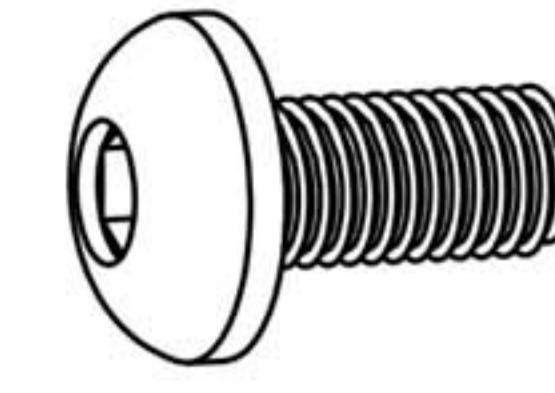
STEP 14

Parts required

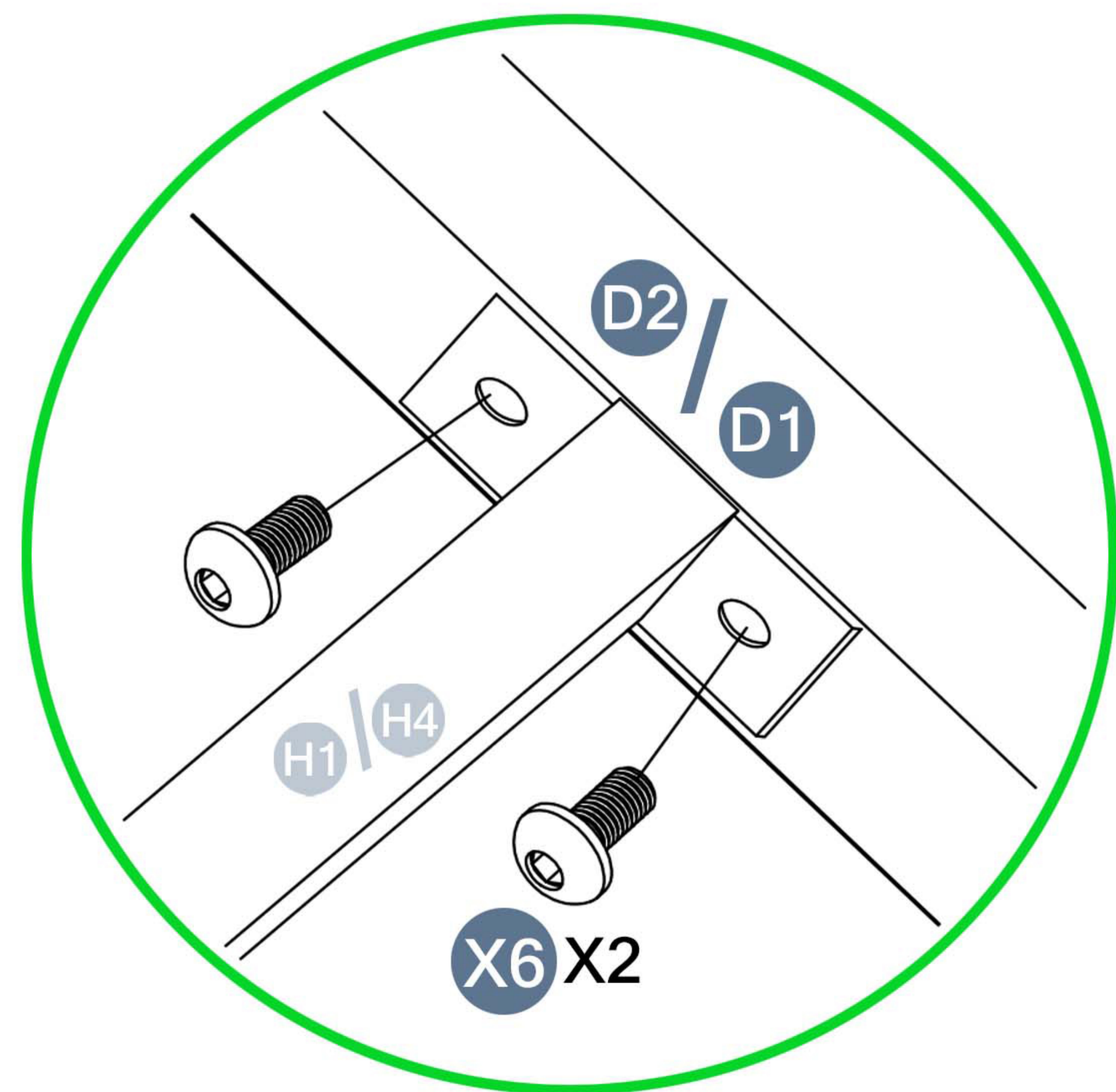
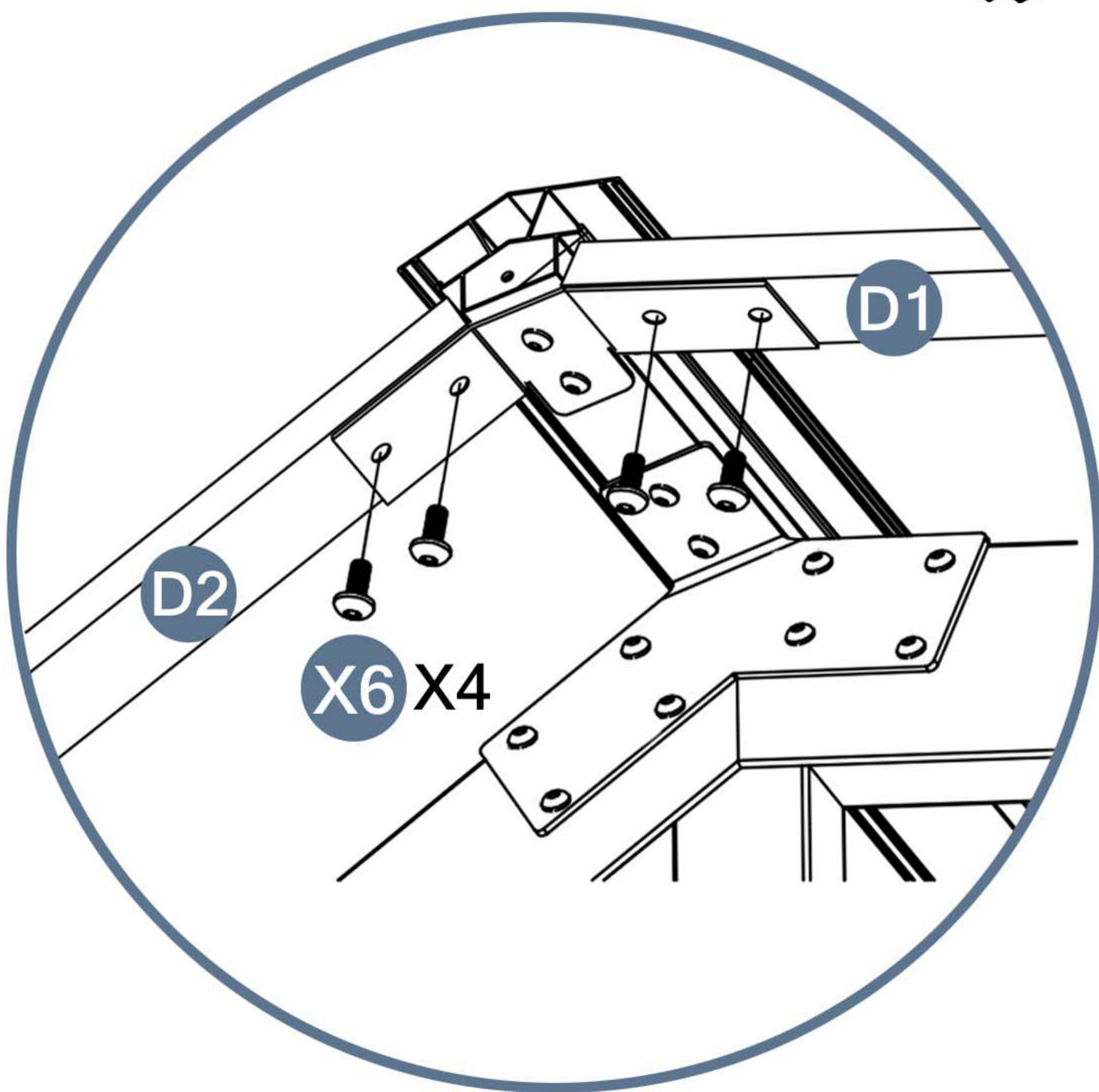
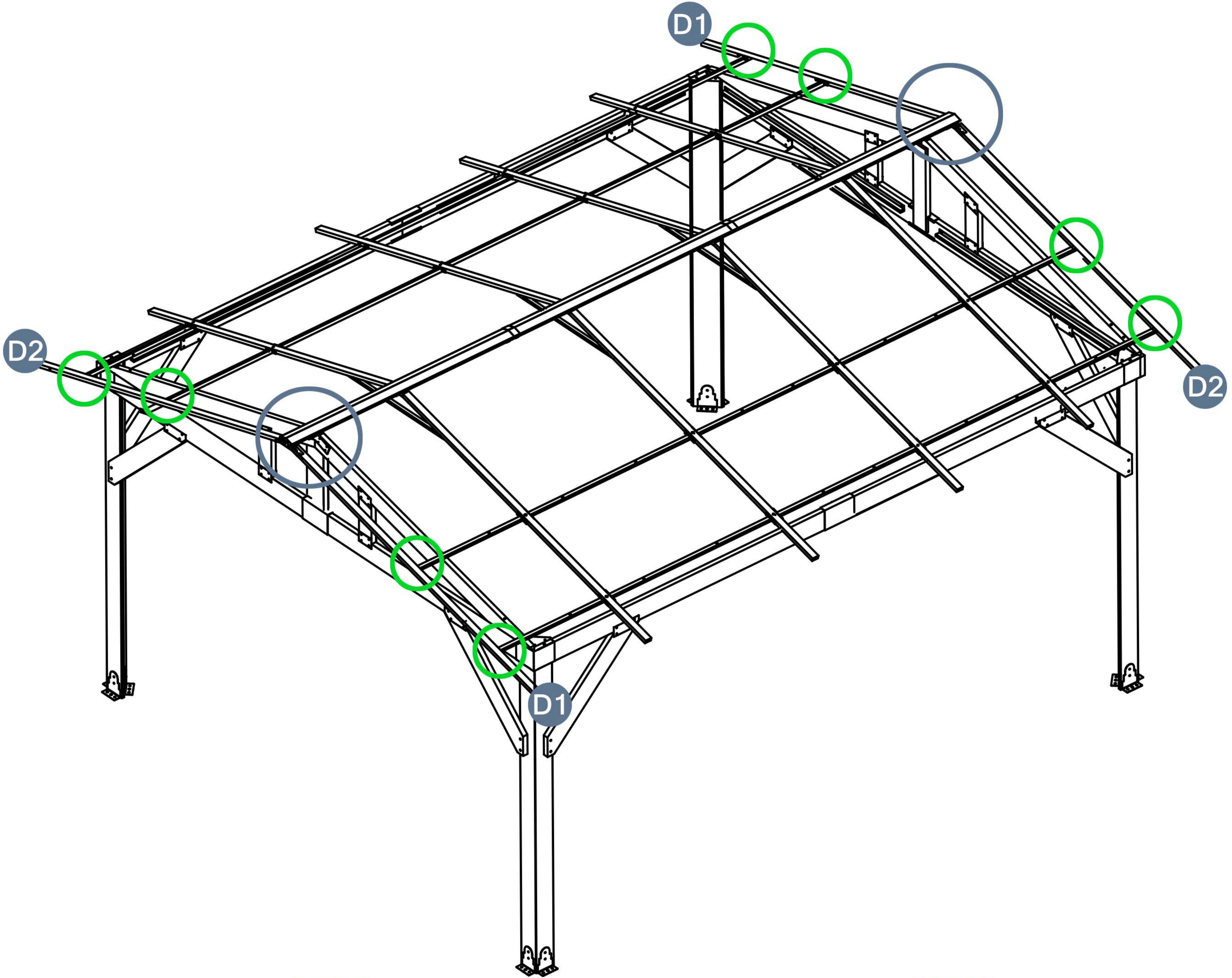


D1 2pcs

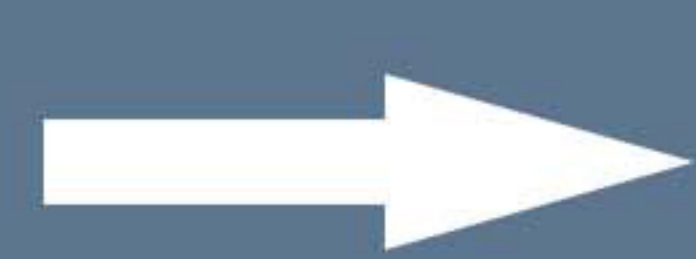
D2 2pcs



X6 24pcs



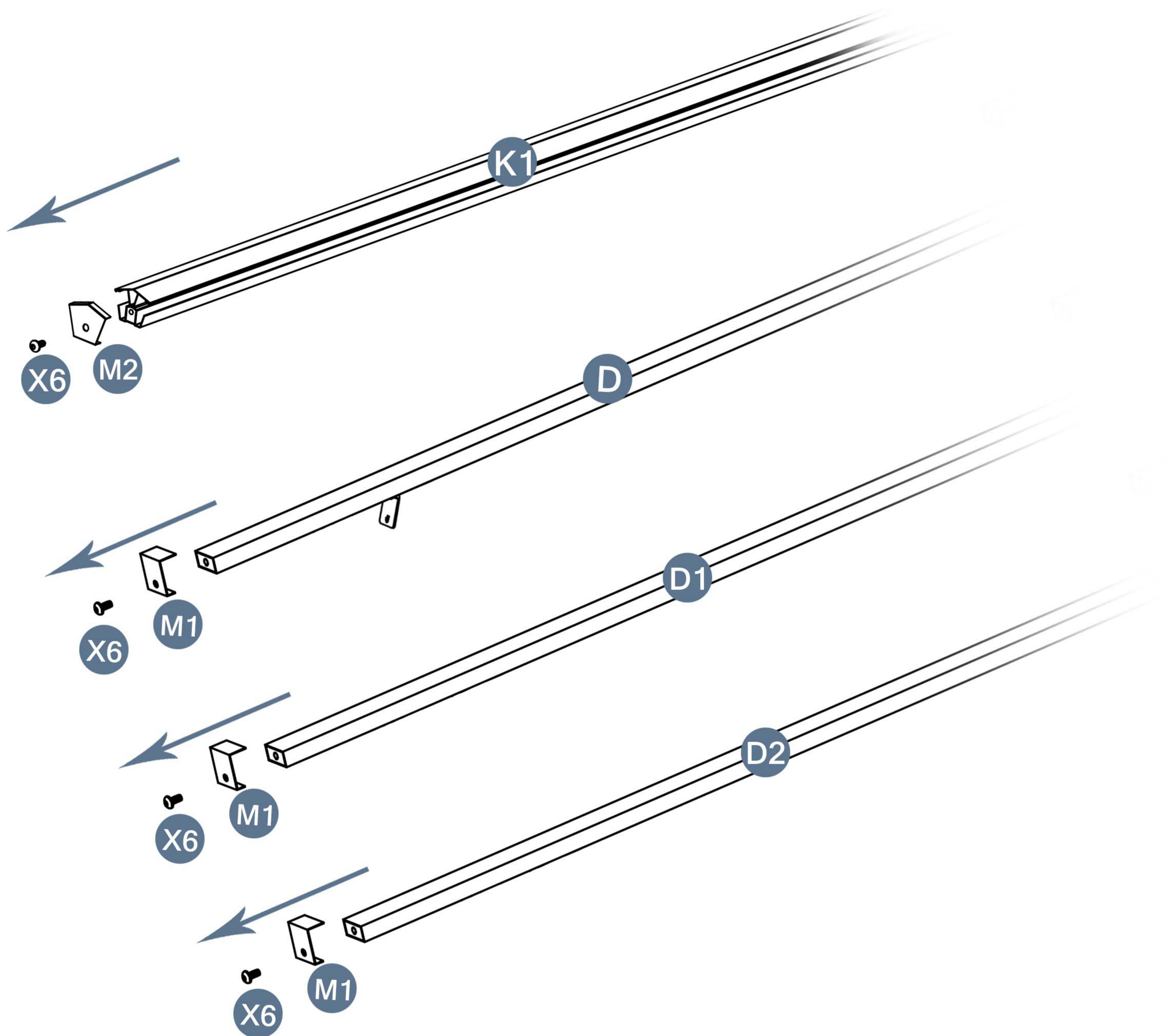
Please take care of the screws and contact the after-sales service if there is any problem with the installation or parts.



E-mail: cs.helper01@gmail.com

To prevent the loss of M2 and M1
we mounted the M2 and M1 on top of the K and D/D1/D2 ahead of time

Before installing step 15, please remove the 2 M2's
and 12 M1's from the part K1 and D/D1/D2. (Reinstall them during step 17/ step 18) .

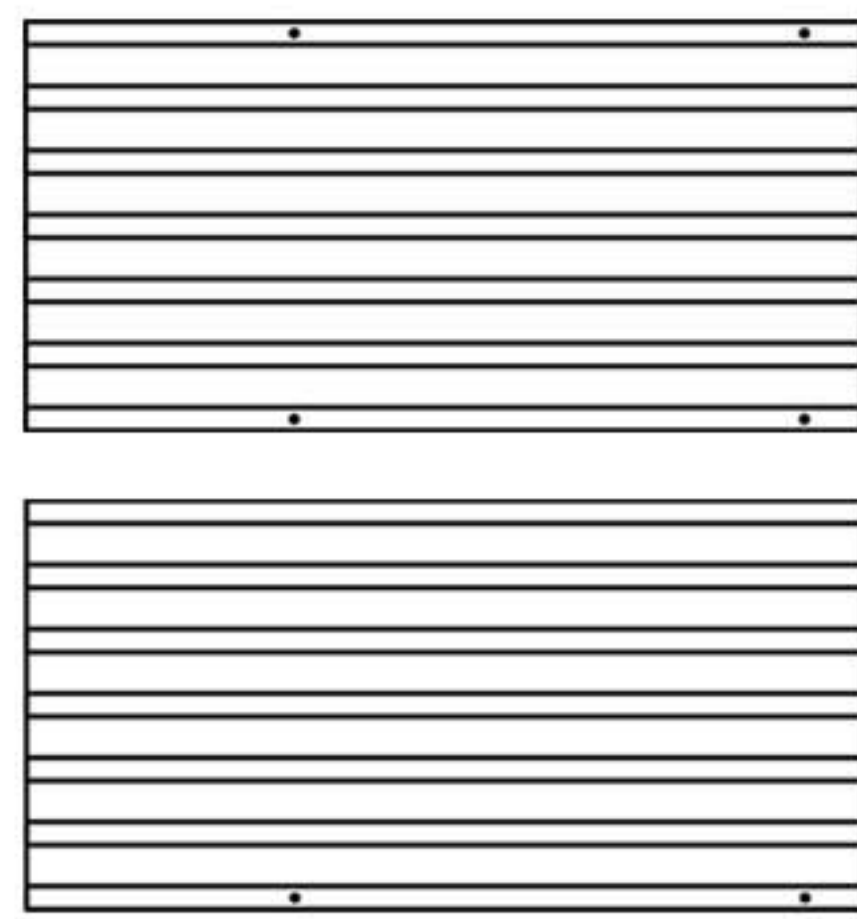


Please take care of the screws and contact the after-sales service if there is any problem with the installation or parts.

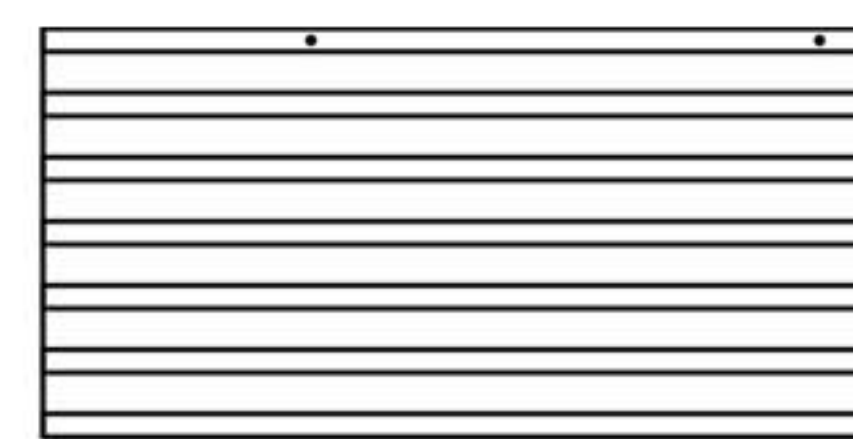
➔ ✉ E-mail: cs.helper01@gmail.com

STEP 15

Parts required



N 14pcs

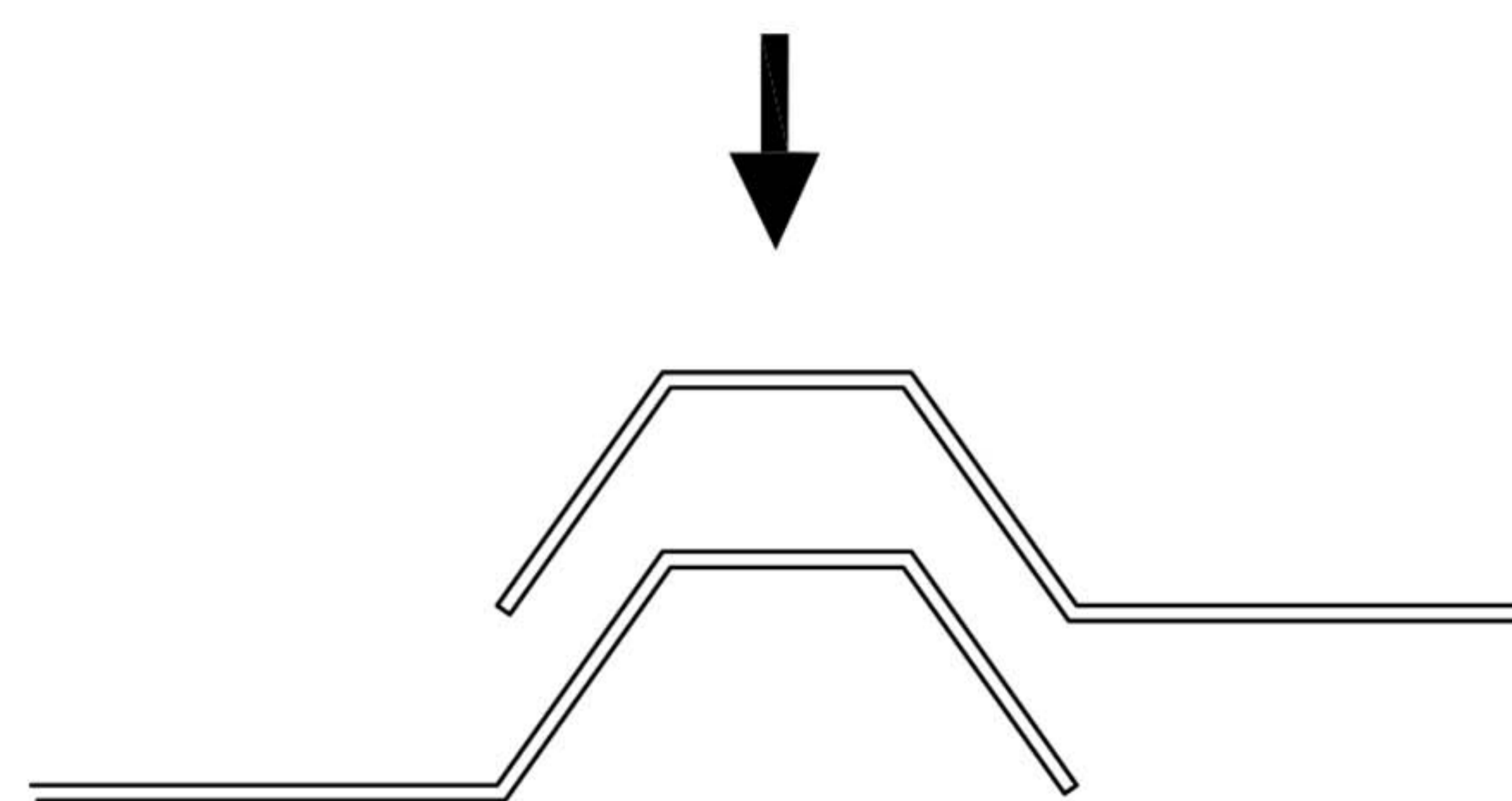
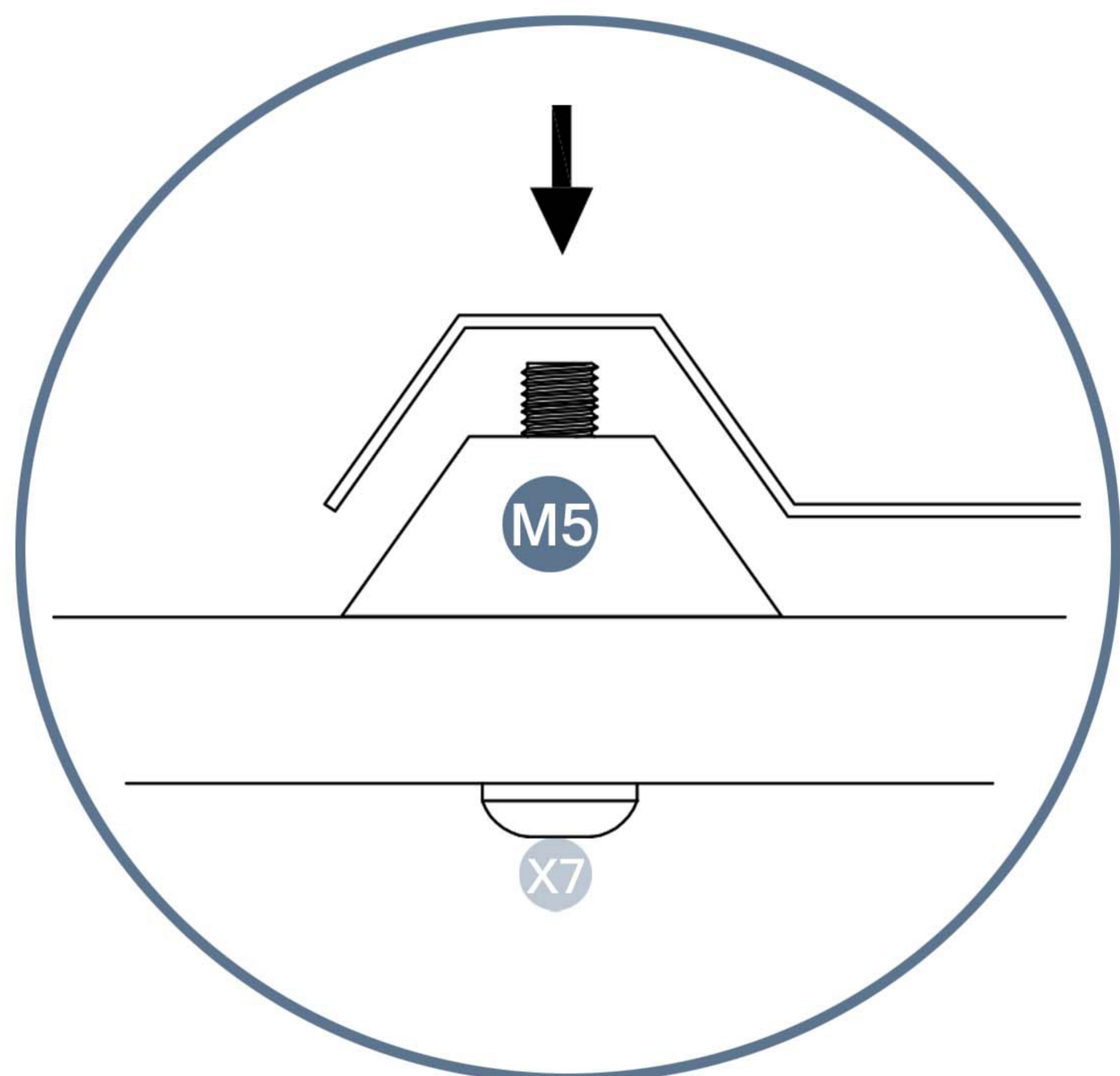
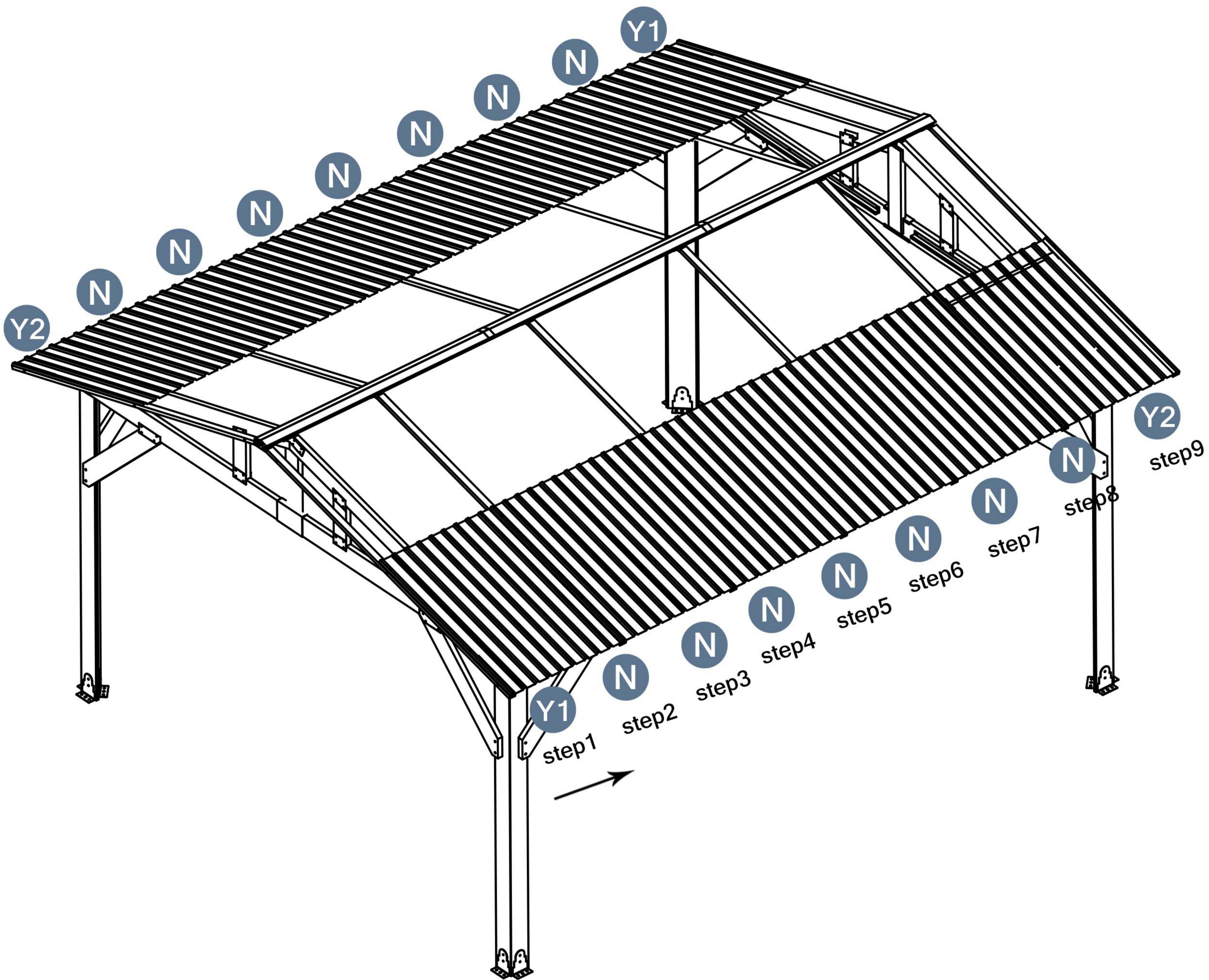


Y2 2pcs

Y1 2pcs

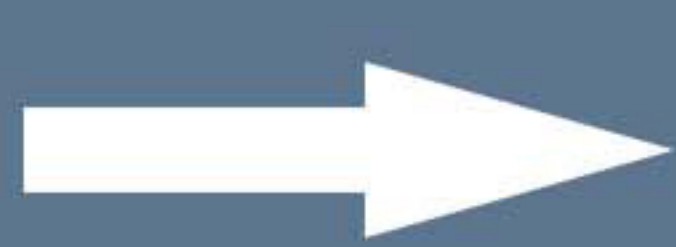


M5 32pcs



• Side view

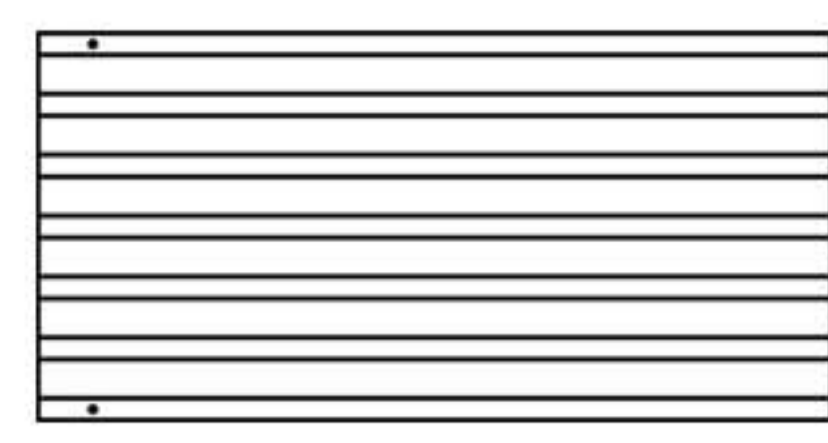
Please take care of the screws and contact the after-sales service if there is any problem with the installation or parts.



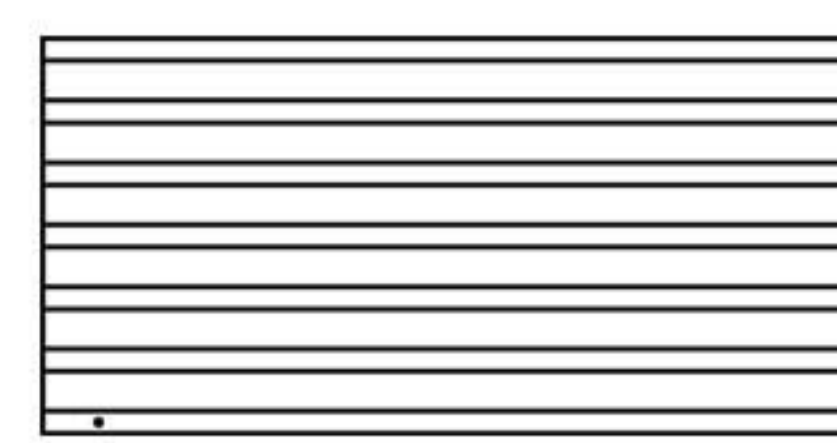
E-mail: cs.helper01@gmail.com

STEP 16

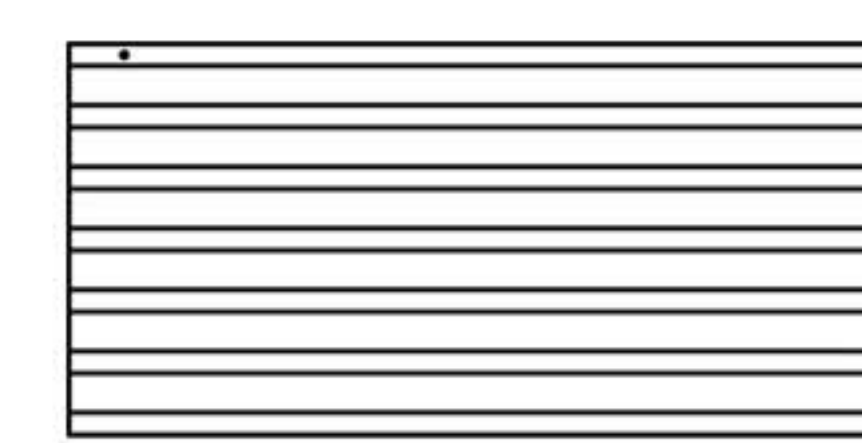
Parts required



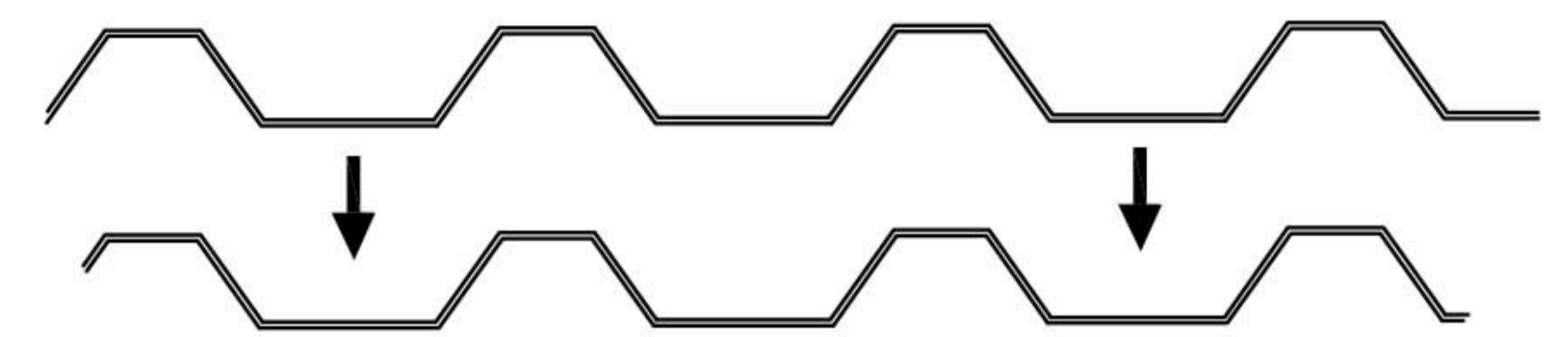
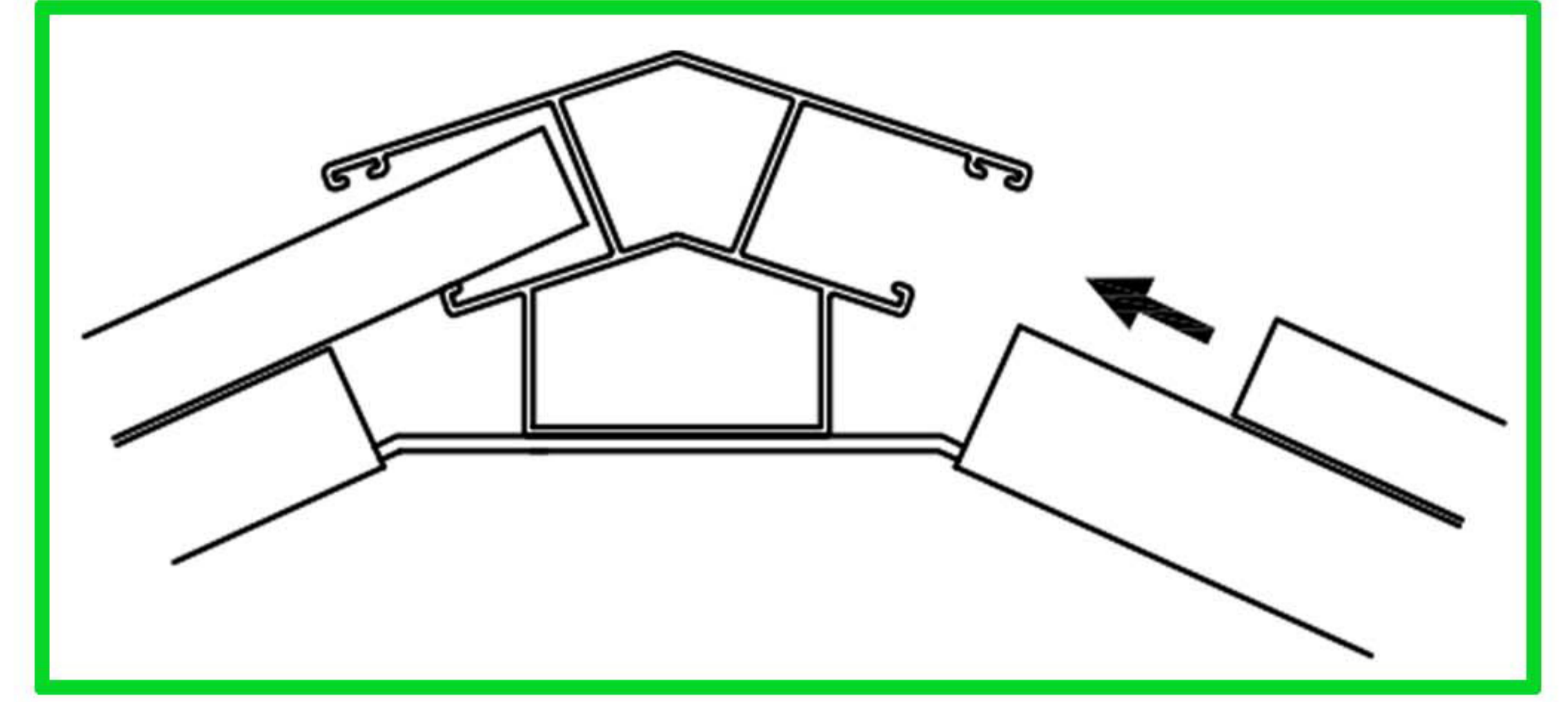
N1 14pcs



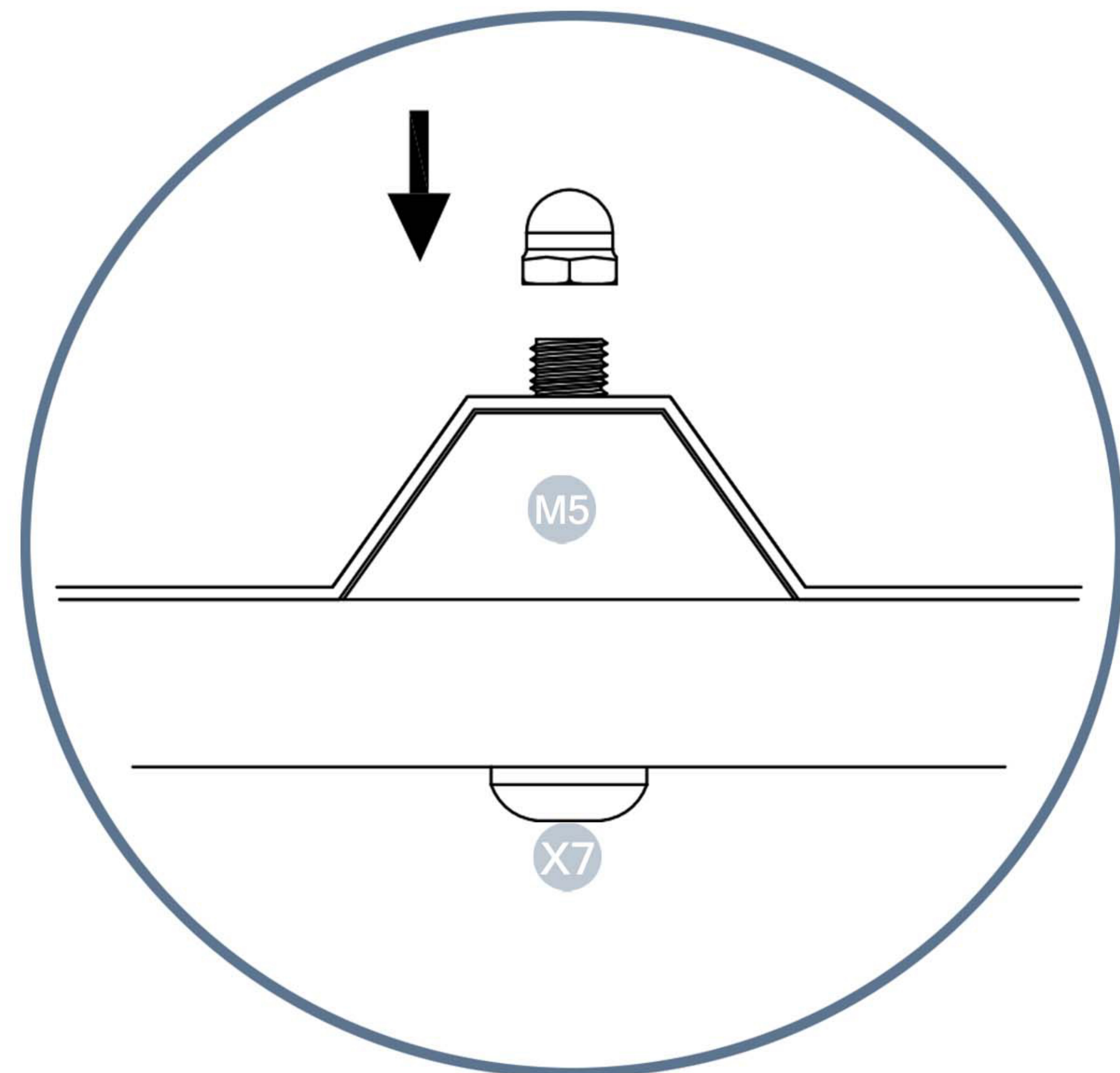
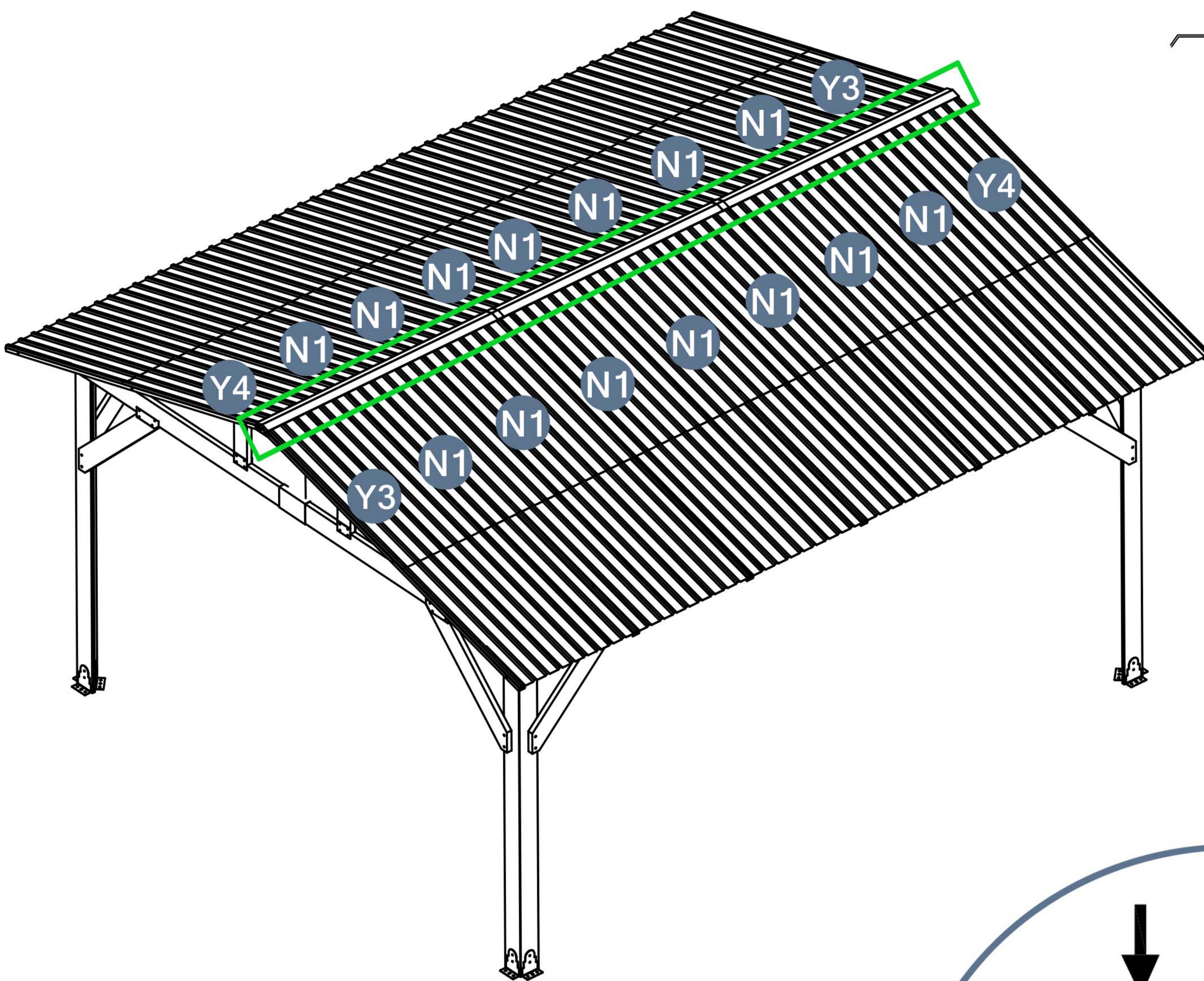
Y3 2pcs



Y4 2pcs



• Side view

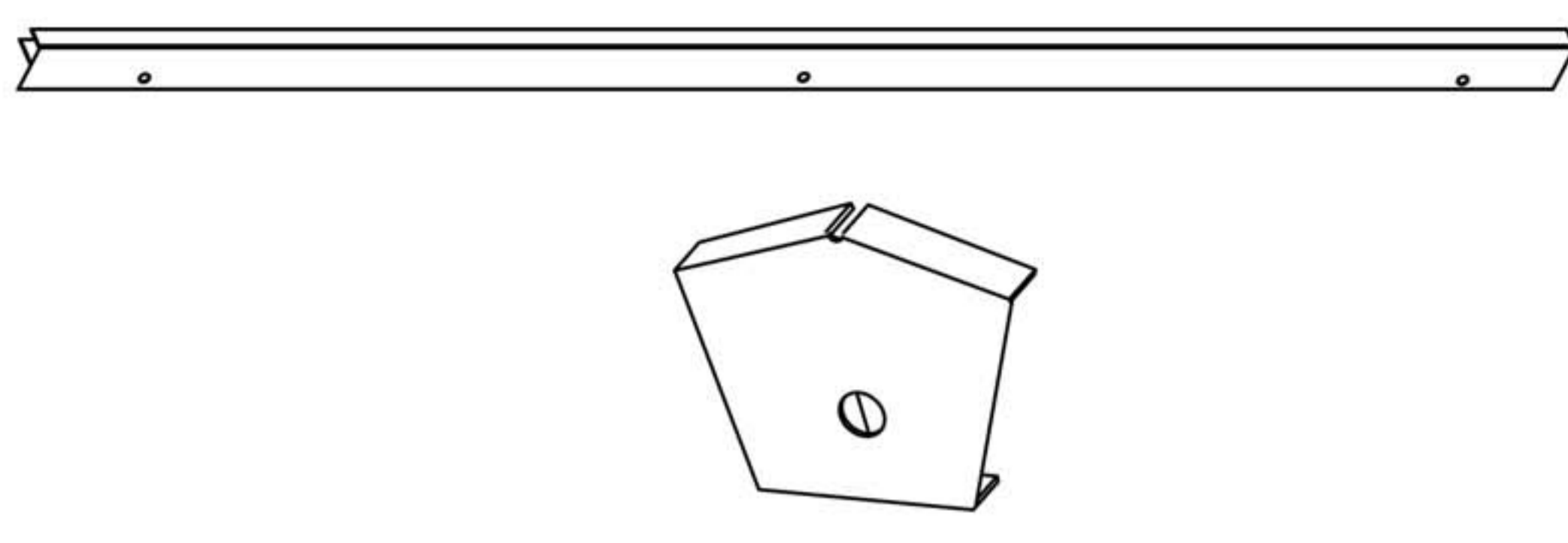


Please take care of the screws and contact the after-sales service if there is any problem with the installation or parts.

➔ ✉ E-mail: cs.helper01@gmail.com

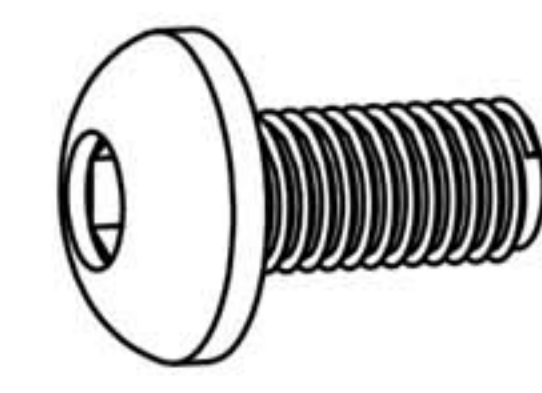
STEP 17

Parts required

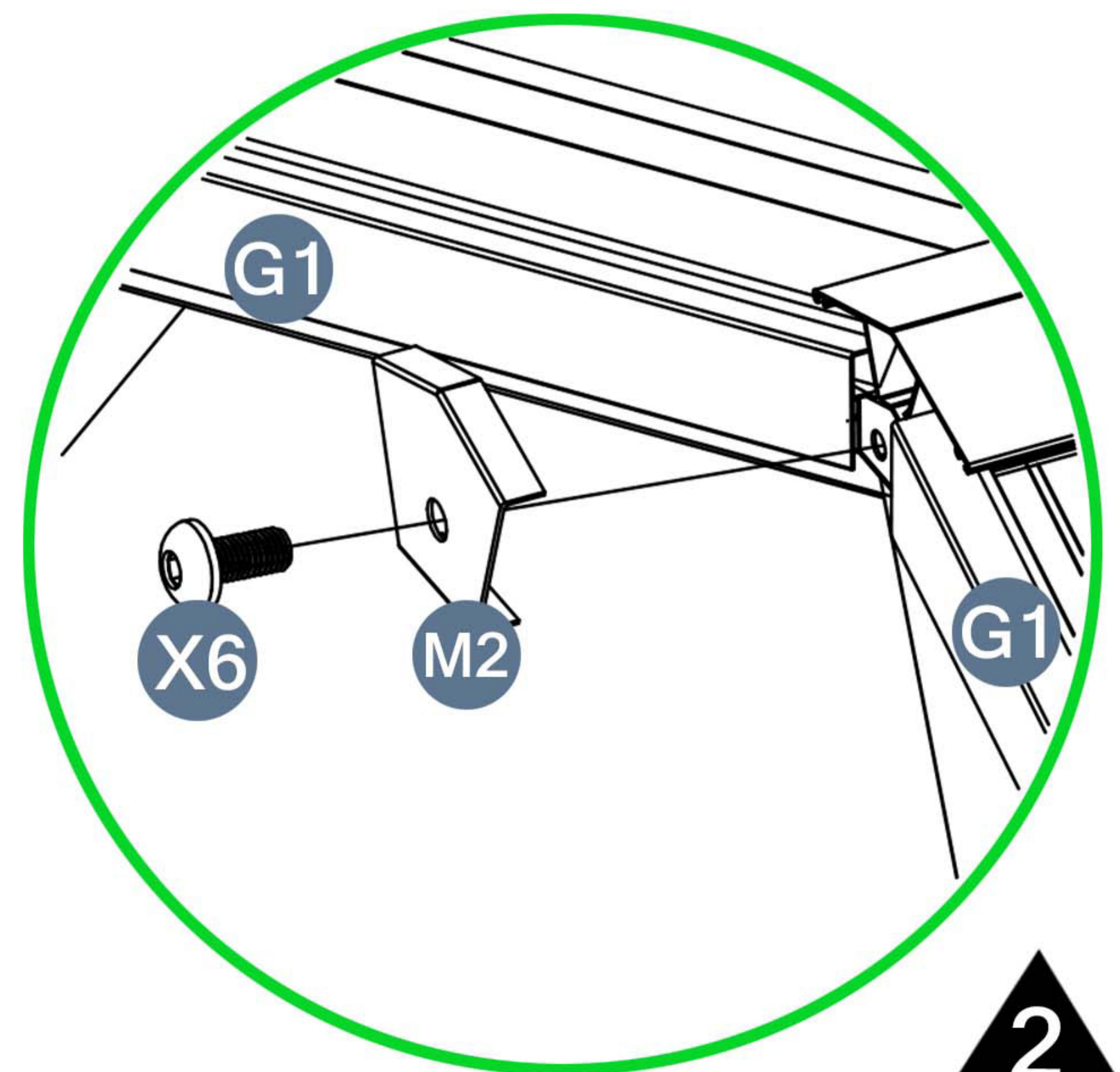
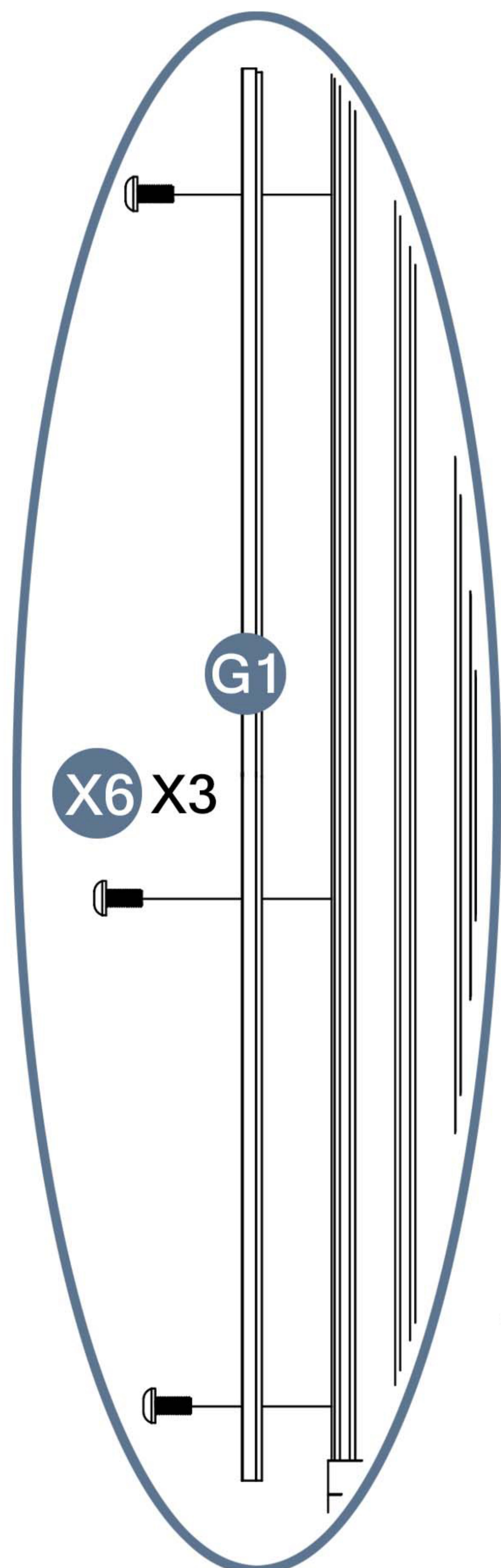
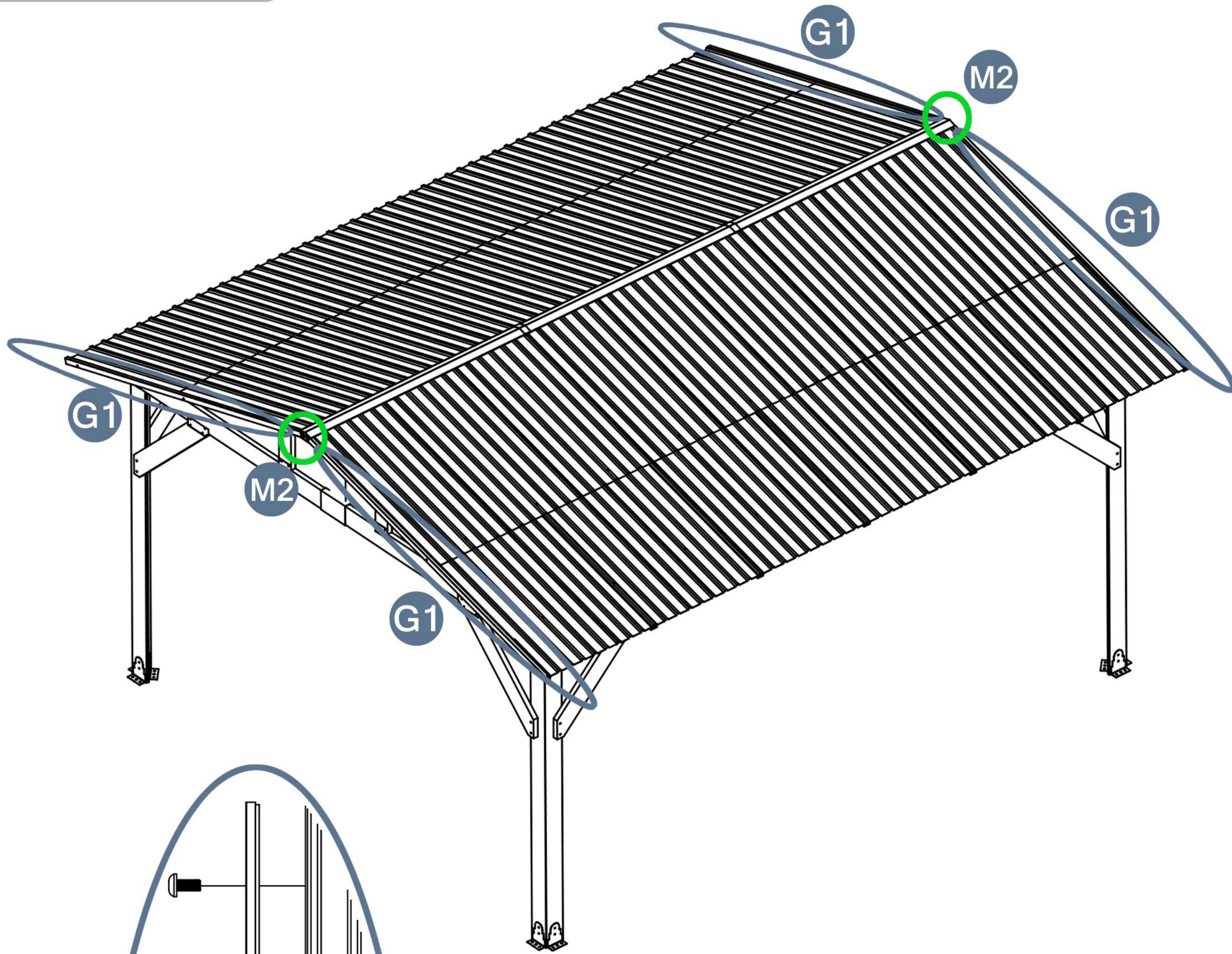
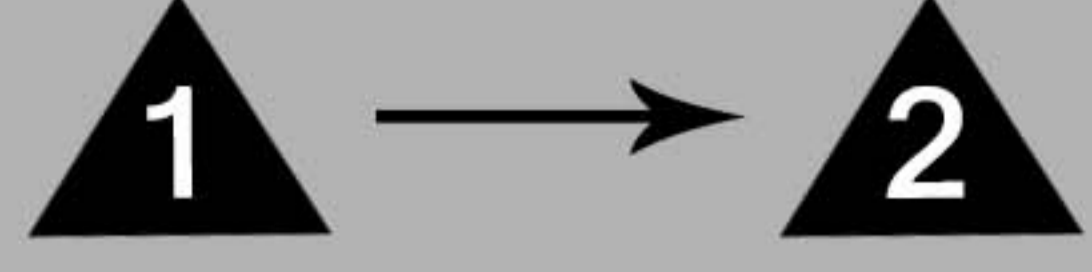


G1 4pcs

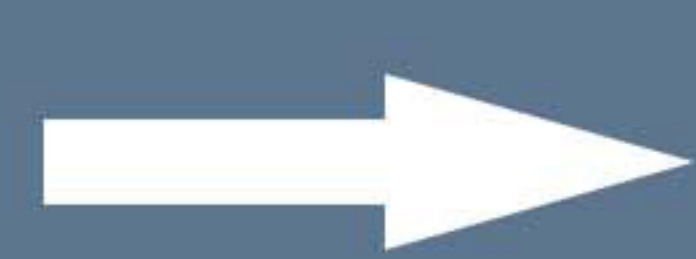
M2 2pcs



X6 14pcs



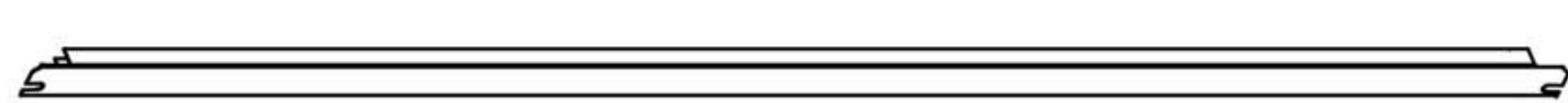
Please take care of the screws and contact the after-sales service if there is any problem with the installation or parts.



E-mail: cs.helper01@gmail.com

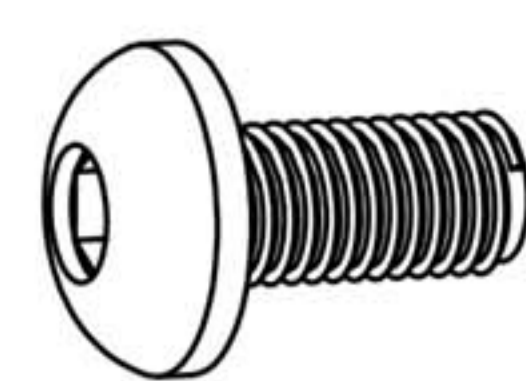
STEP 18

Parts required

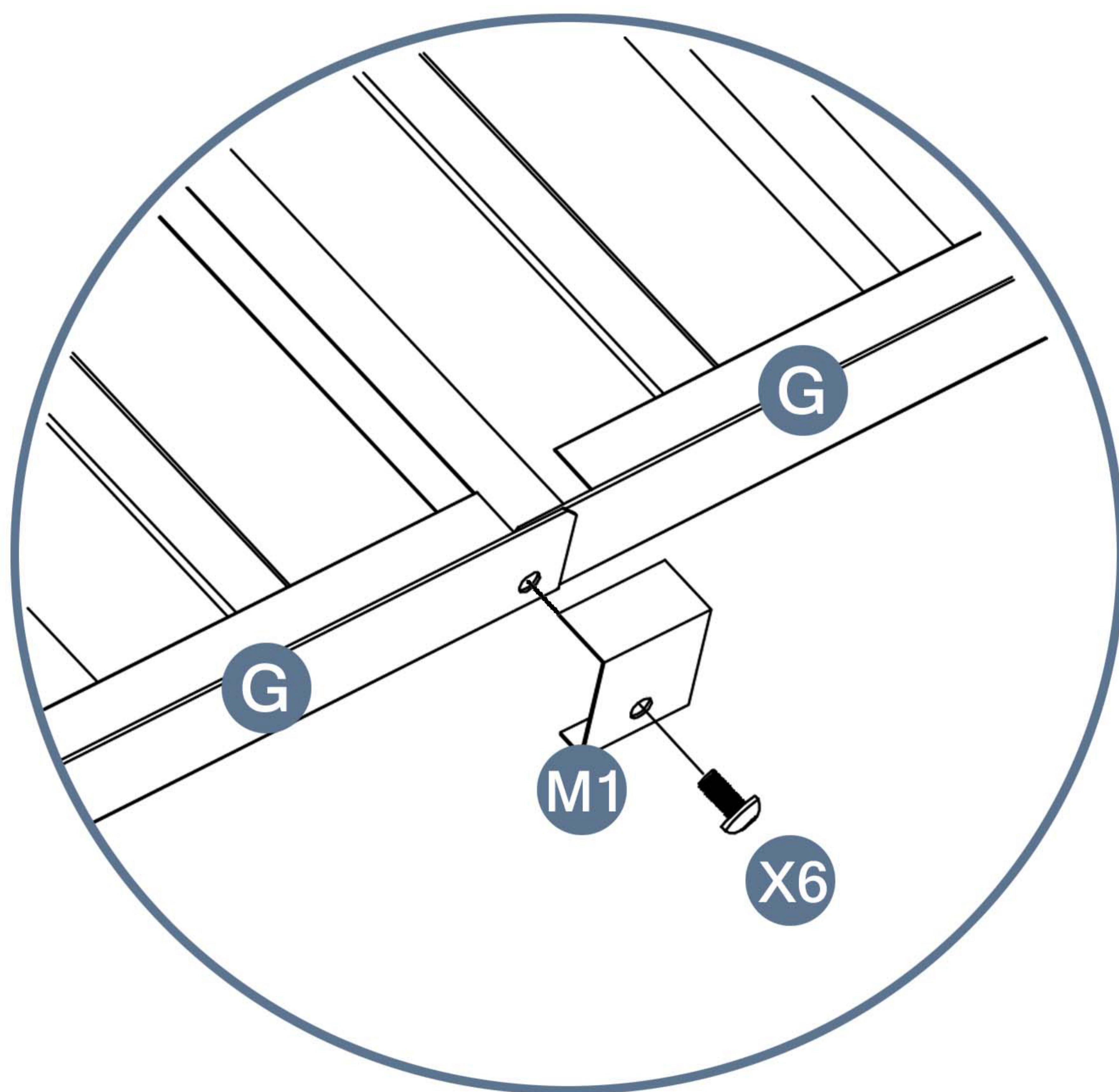
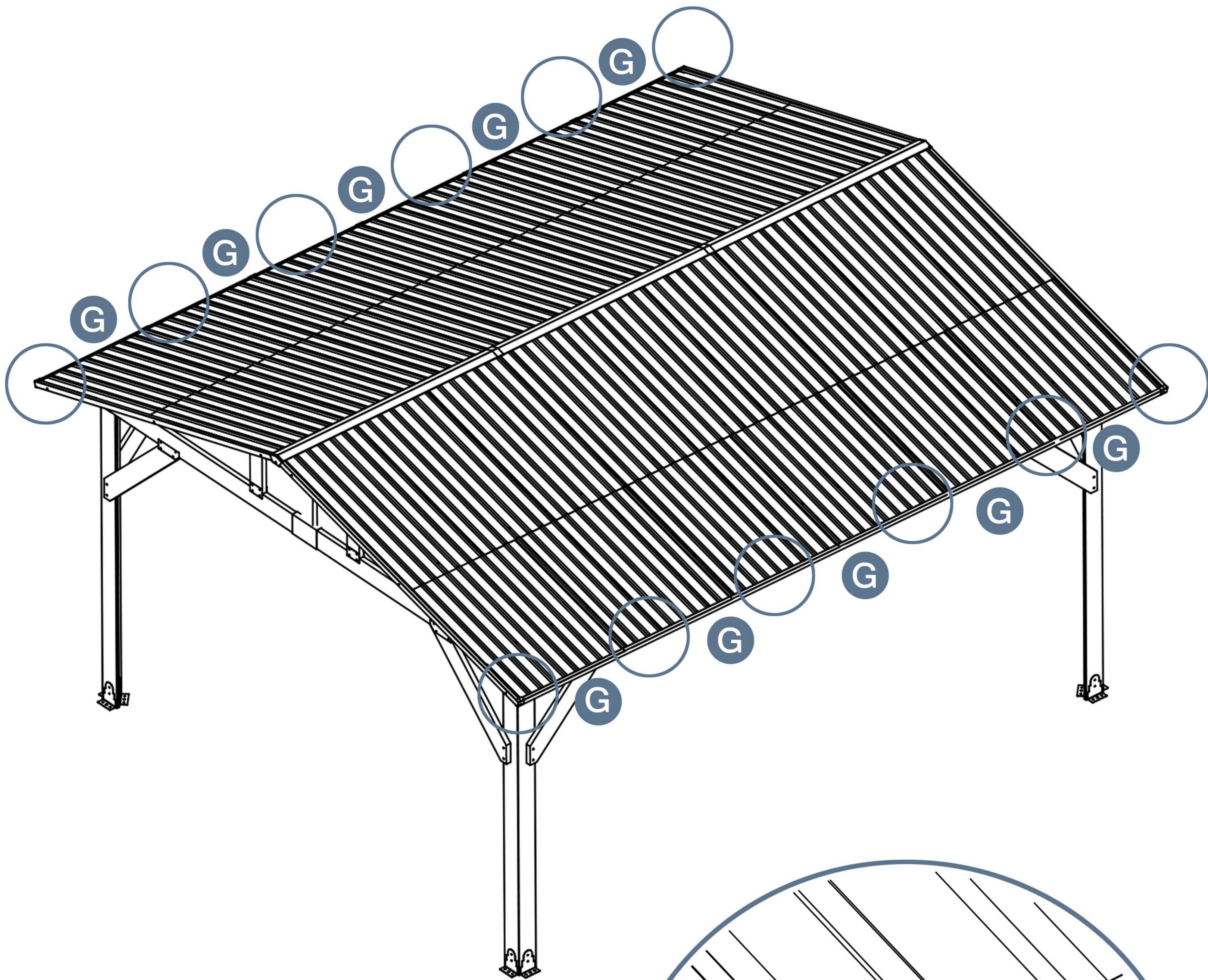


G 10pcs

M1 12pcs



X6 12pcs

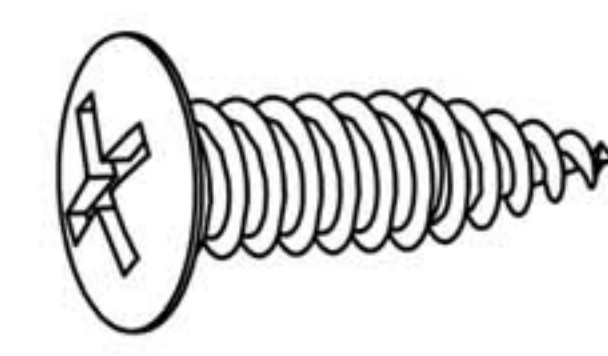


Please take care of the screws and contact the after-sales service if there is any problem with the installation or parts.

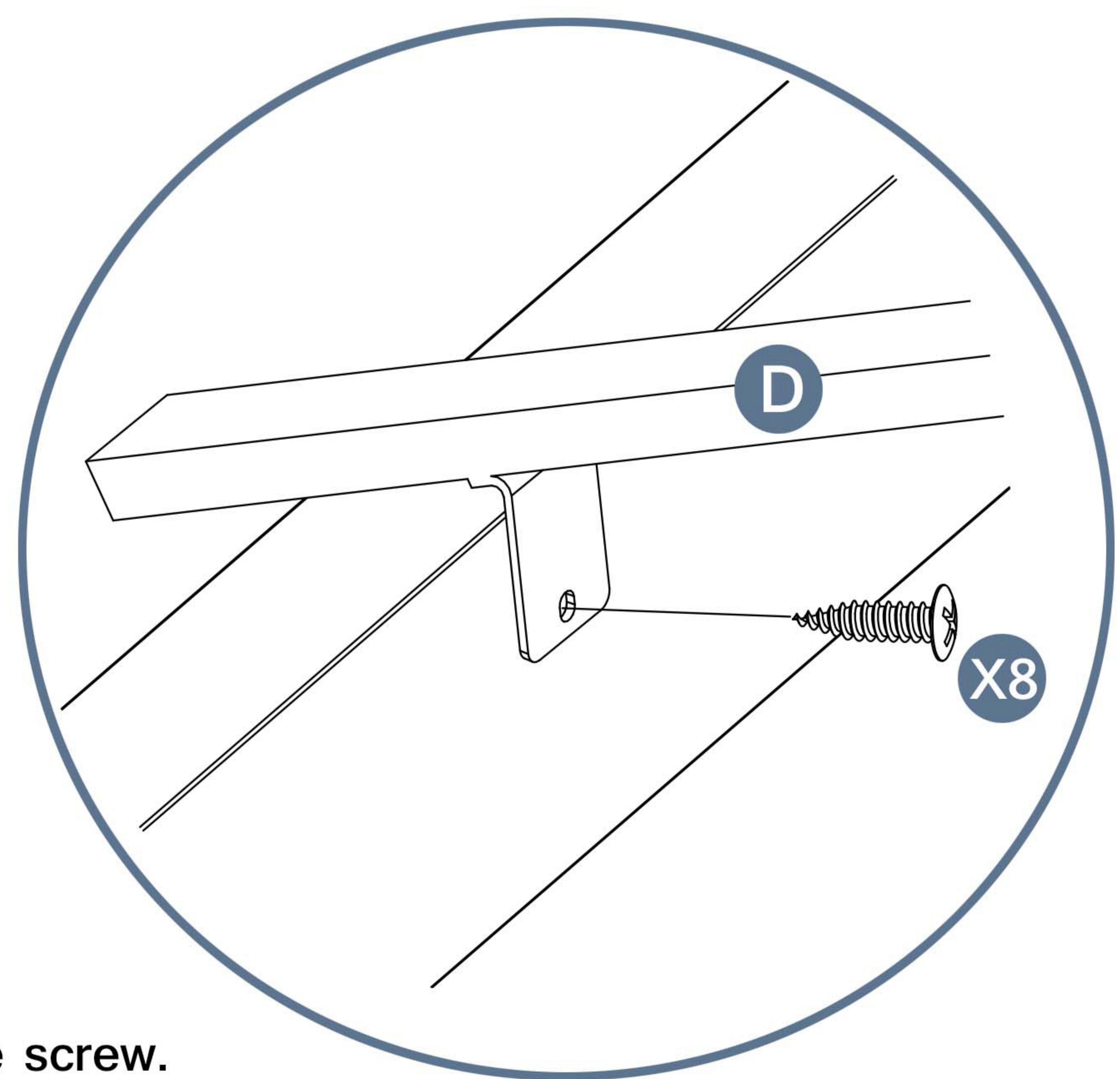
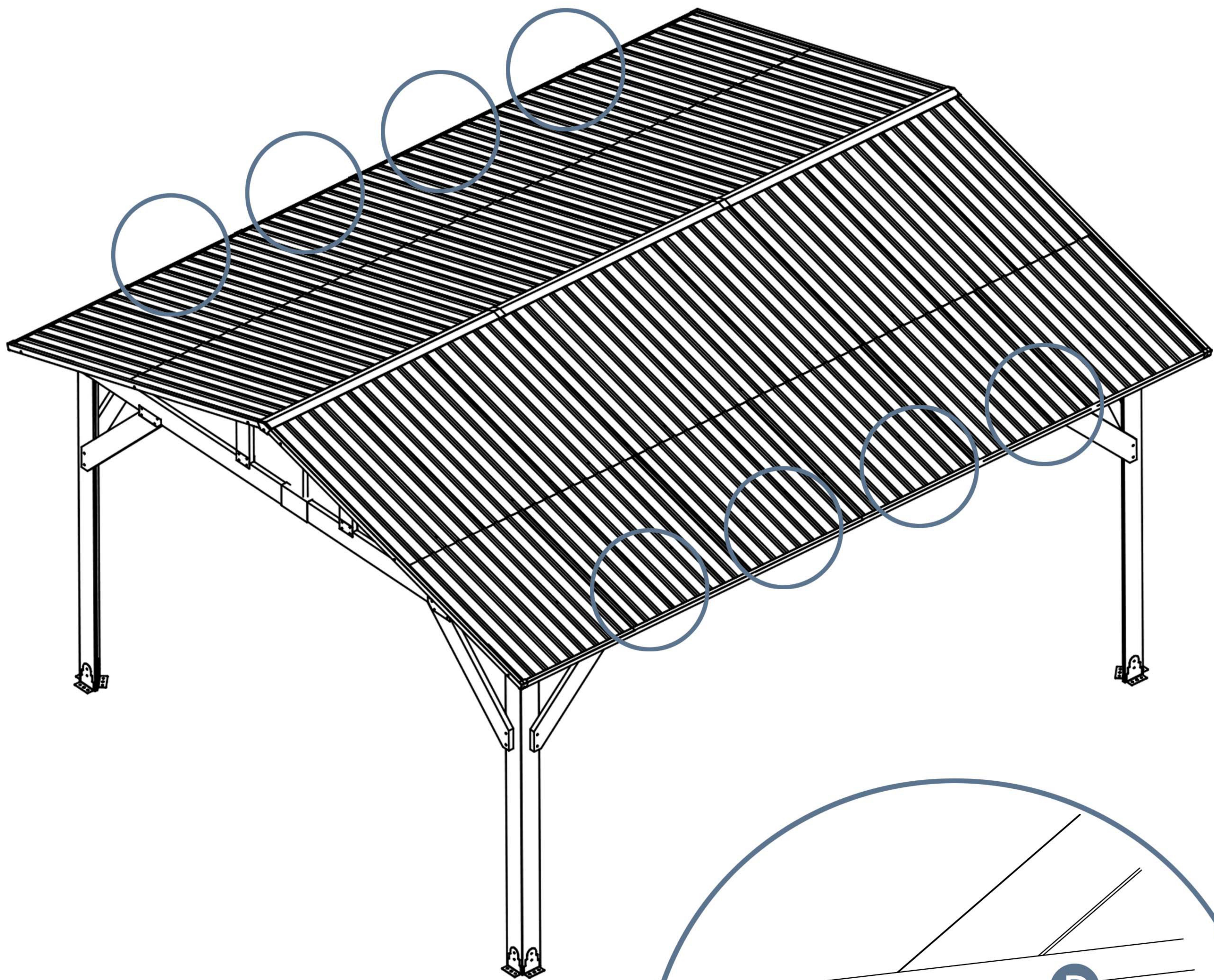
➔ ✉ E-mail: cs.helper01@gmail.com

STEP 19

Parts required



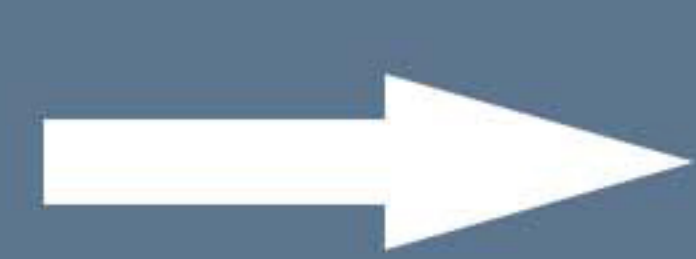
X8 8pcs



Adjust the appropriate position, and then install the screw.

● Internal view

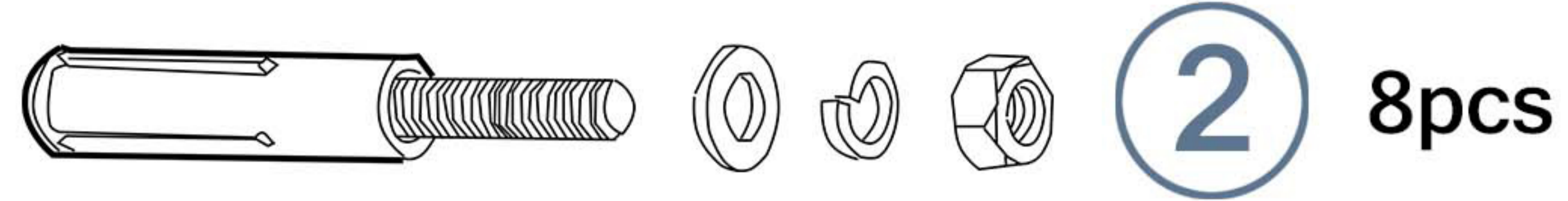
Please take care of the screws and contact the after-sales service if there is any problem with the installation or parts.



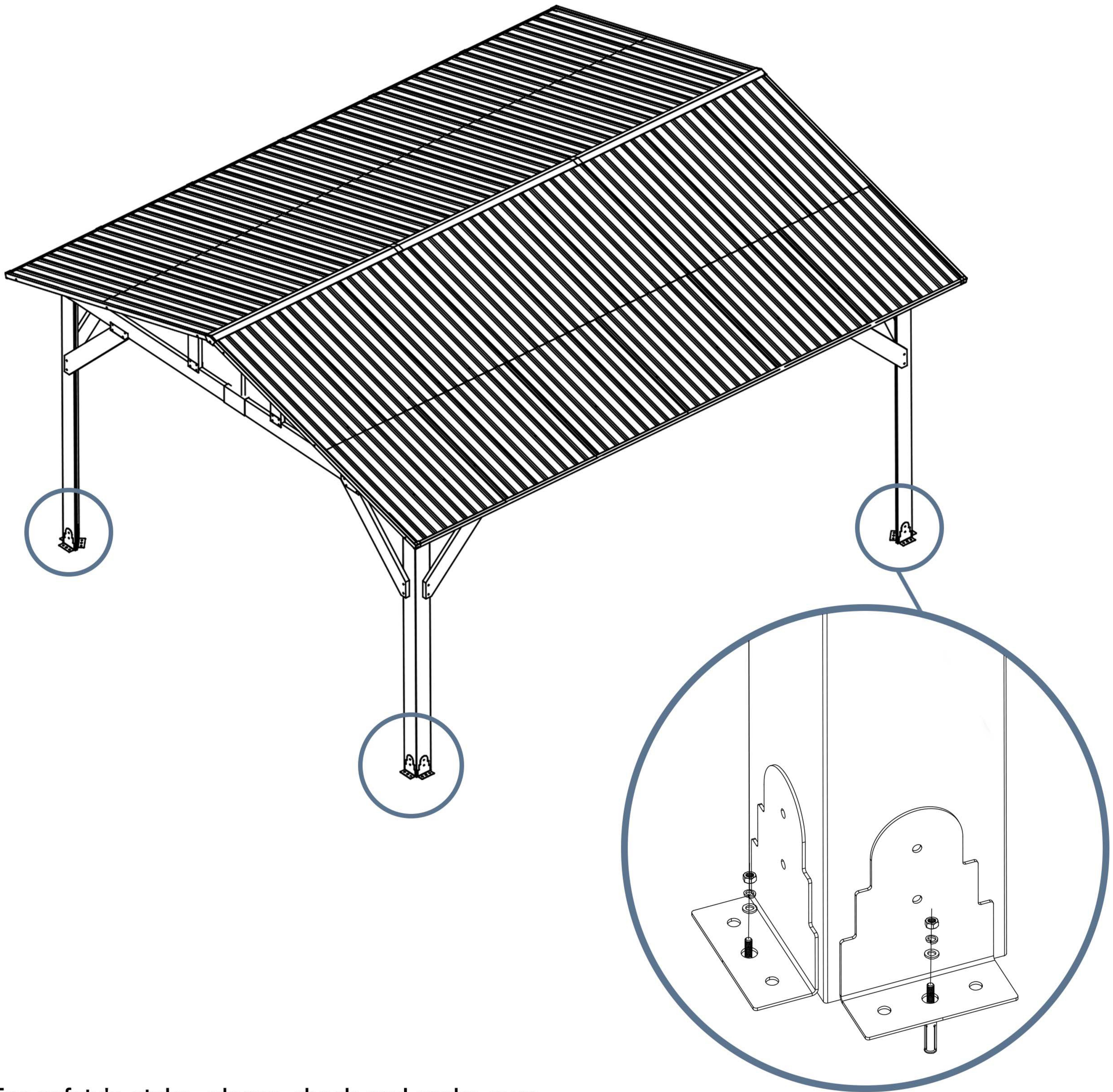
E-mail: cs.helper01@gmail.com

STEP 20

Parts required



To improve stability of gazebo, expansion screws very necessary. Expansion screws use for cement surfaces. Expansion screws are included in the package.



!!! For safety's stake, please check and make sure that all screws are tightened after all installation is complete.

Installation Completed

Please take care of the screws and contact the after-sales service if there is any problem with the installation or parts.

➔ ✉ E-mail: cs.helper01@gmail.com

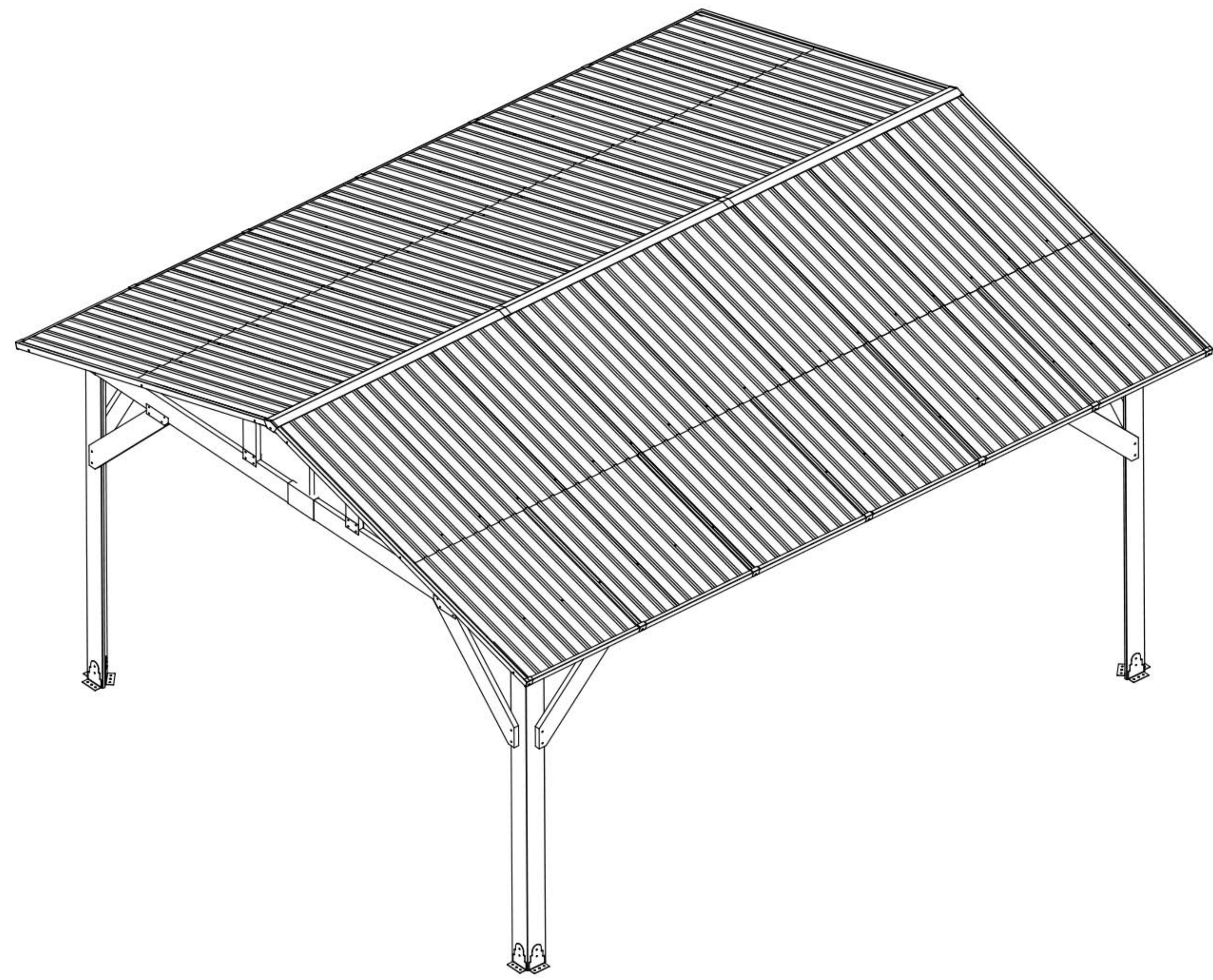
Hope you enjoy this product.

If you have any concerns about gazebo Installation, please feel free to contact us. We will reply within 24 hours.



E-mail: cs.helper01@gmail.com

13X15FT



SKU:C001G044V2-1
C001G044V2-2
C001G044V2-3
C001G044V2-4
C001G044V2-5