



30 : 00

estimated assembly +
installation time



2 or more

people required

Ok, let's
get started!



- Put on mood music!
- To prevent damage to product, use the clean side of package carton or rug as working surface.
- In the event of missing or damaged parts, delivery problems etc., please reach out to our team. We will be happy to fix the problem!

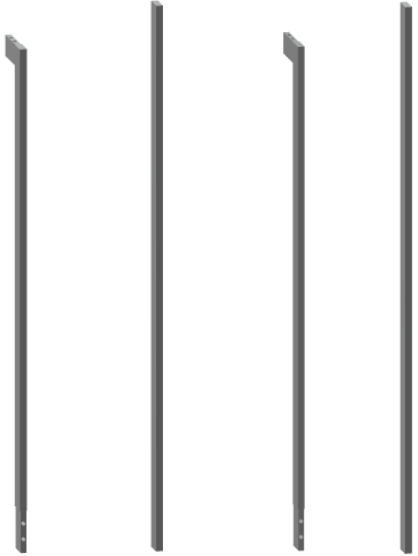
care guide

- Clean regularly with a soft and dry cloth.
- To protect finish, avoid use of abrasive cleaners.
- Wipe up spills immediately. Please!

ⓘ **While assembling the product, tighten the bolts up to 50%. Once all parts are in place, only then fully tighten the bolts.**



product parts



A B C D

Side legs
X4



E
Top U shape
assembly pipe
X1



F
Glass supporting
metal frame
X3



G
Cabinet box
X1



H
Glass shelf
X3

what's included



(I)-Bolt
M5x8mm
x18



(J)-Allen key
M3X140mm
x1



(K)-Wall Plug
x4



(L)-Screw
M4x38mm
x4



(M)-Bumpers
X12

assembly instructions

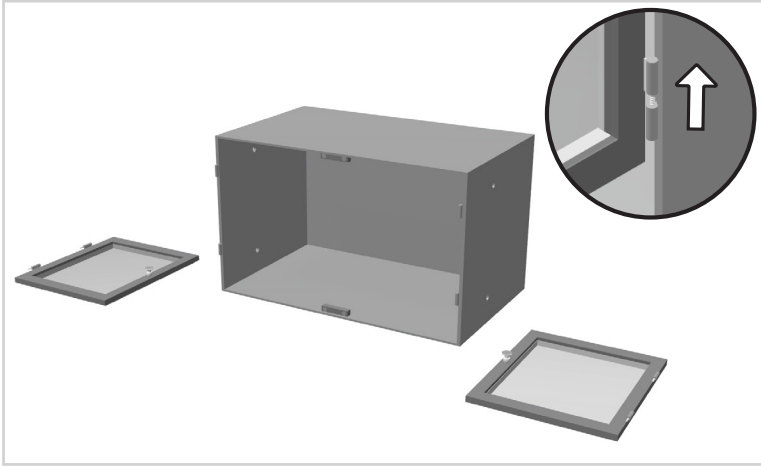
Friendly Tip: Take a deep breath going in. This may be a tricky part, but nothing too overwhelming. Just follow these steps to the T and the outcome will be worth it!



- ⓘ While assembling the product, tighten the bolts up to 50%. Once all parts are in place, only then fully tighten the bolts.

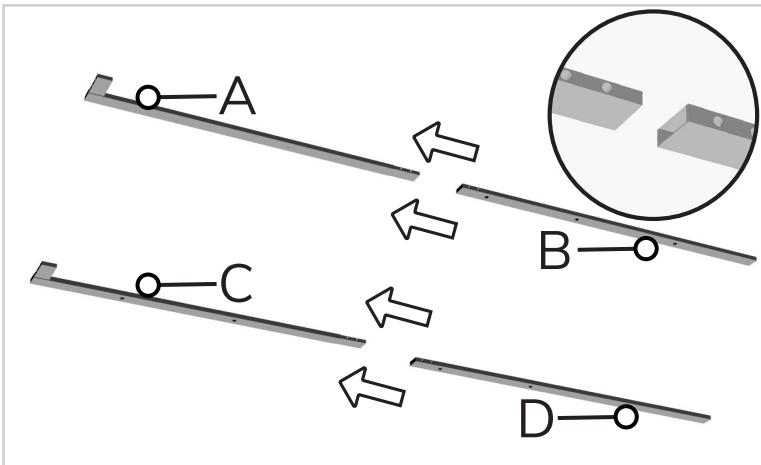
step 1:

Start by placing the cabinet box (G) on a rug or a carton. Then, lift the glass doors with both hands to detach them.



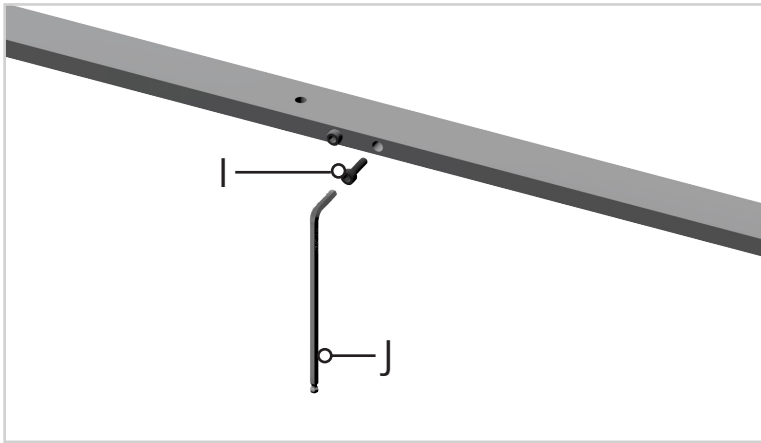
step 2:

Now, take the side legs and place them together by inserting the leg (A) into (B) & (C) into (D). Use the image below as reference.



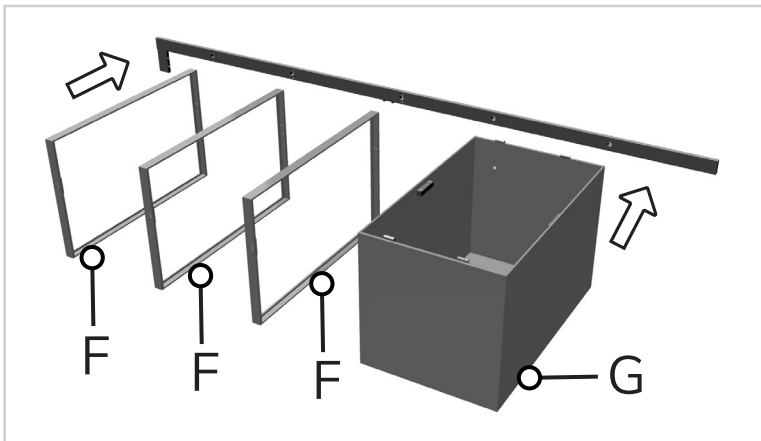
step 3:

Fix them together by inserting bolts (I) into the given slots as shown in the image below. Tighten using allen key (J).



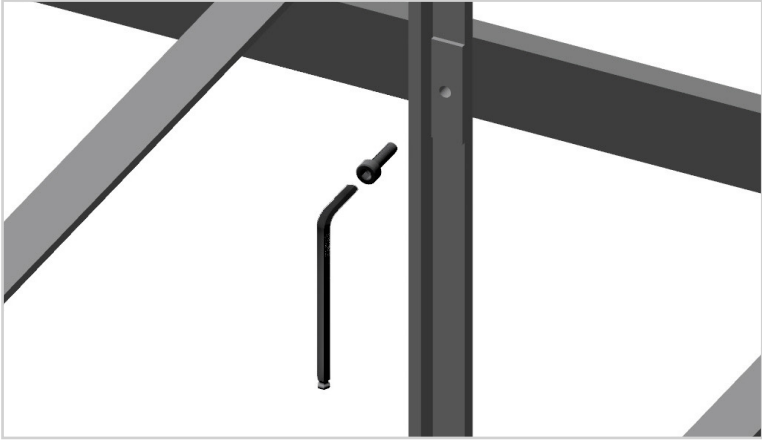
step 4:

Then, place the metal frames (F) with the back sticker facing downwards on the rug. Also, put the cabinet box (G) with the open side upwards. Align (F) and (G) with the right frame (A, B) so that the holes on the shelves match with the slots on the right leg.



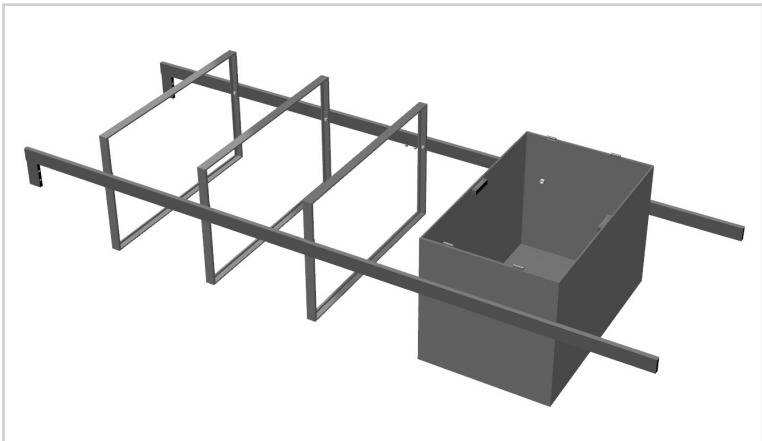
step 5:

To fix the frames & leg together, insert bolts (I) into the holes and tighten using allen key (J). Repeat the same step till all the frames (F) & cabinet box (G) are fixed to the right leg.



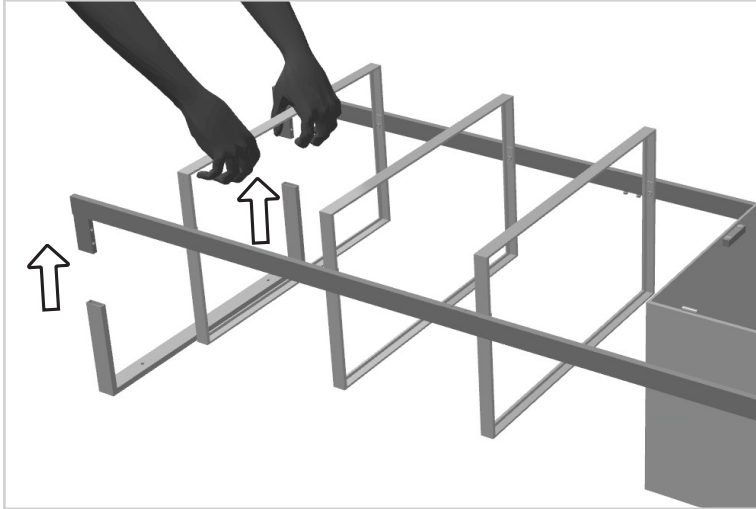
step 6:

Similarly, align the slots on the left leg (C, D) to the holes on the other side of frames (F) & cabinet box (G). Fix it in place by using bolts (I). Tighten using allen key (J).



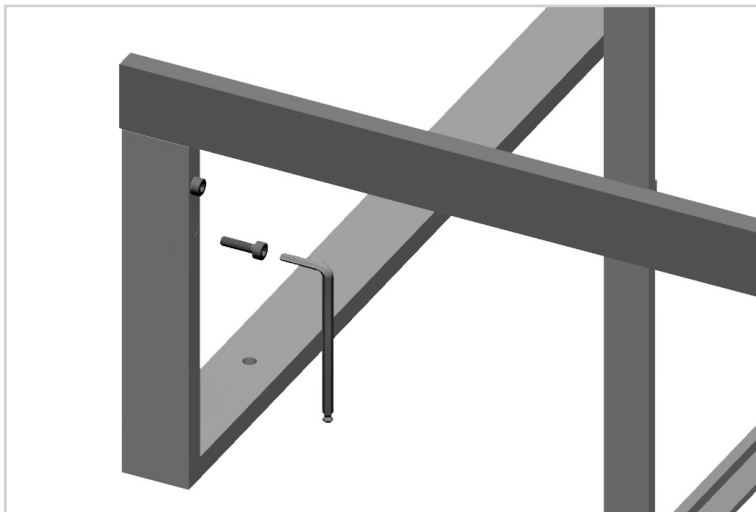
step 7:

Now, while the other person lifts the shelf from the top using both hands, place the U-shaped assembly pipe (E) beneath it and join it with the slots on the legs. Use the image below as reference.



step 8:

Fix them in place by inserting bolts (I) into the slots. Tighten using allen key (J)





And your shelf is ready for installation

installation instructions



- ⚠ While assembling the product, tighten the bolts up to 50%. Once all parts are in place, only then fully tighten the bolts.

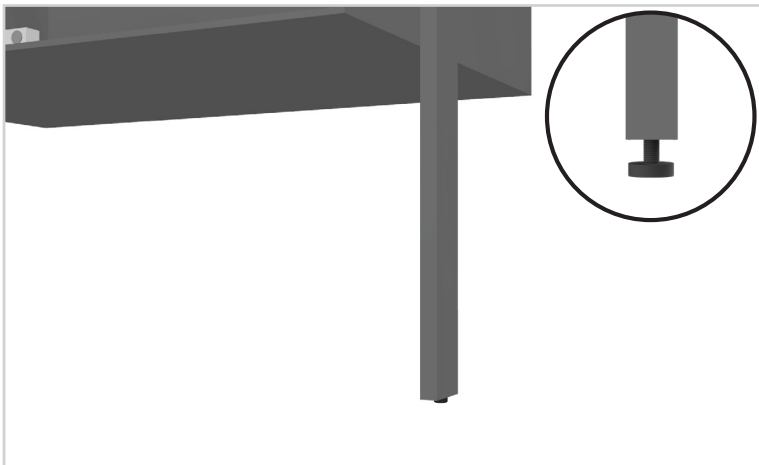
step 1:

Place the assembled shelf against the wall and put a spirit level on the top plank to check alignment. Adjust if needed. Then, taking this image as a reference, mark holes through the slots given on the top pipe (E) & the cabinet box (G) on the wall.



step 2:

Now, adjust the levellers if needed.



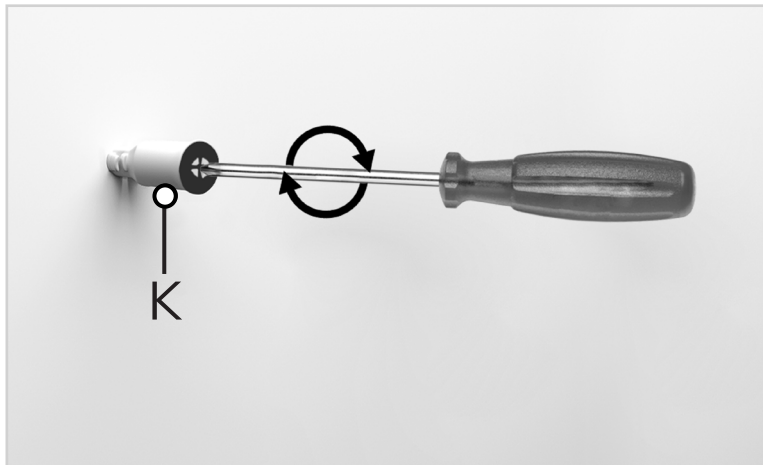
step 3:

Drill holes on the points you just marked.



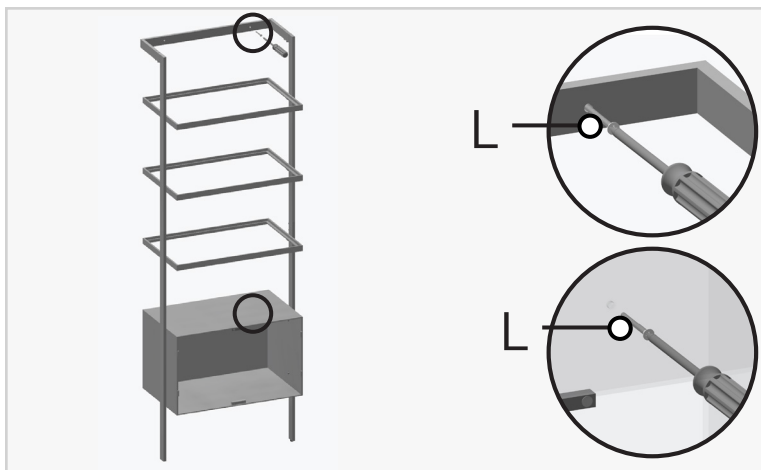
step 4:

Using a screwdriver, insert wall plugs (K) in the holes you just marked.



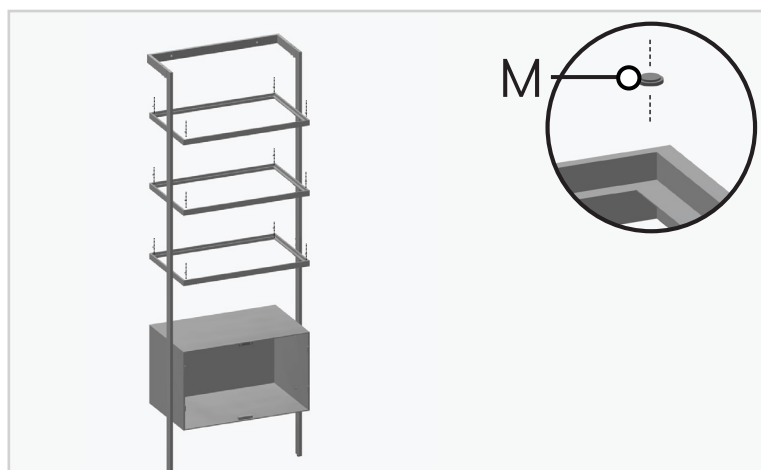
step 5:

Now, fix the bookcase to the wall by inserting screws (L) and tighten completely with the help of a screwdriver.



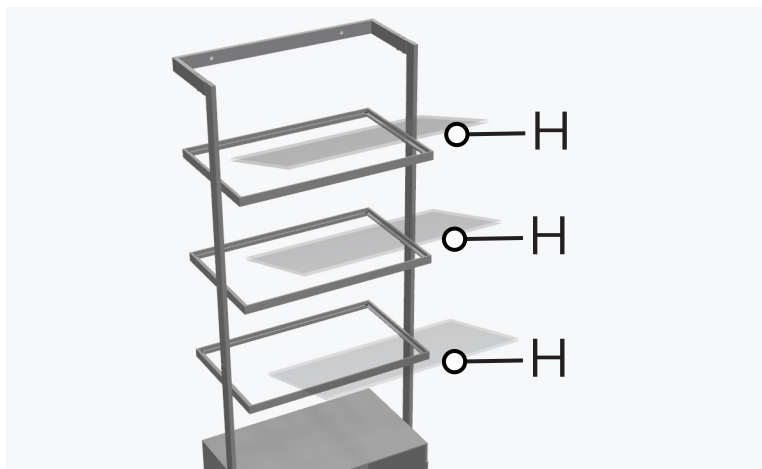
step 6:

When done, stick the bumpons (M) at the corners of the metal frames (F). Use the image below as a reference.



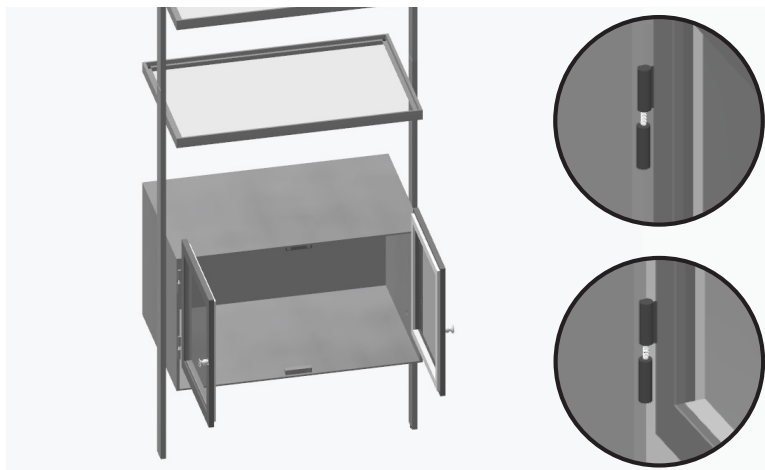
step 7:

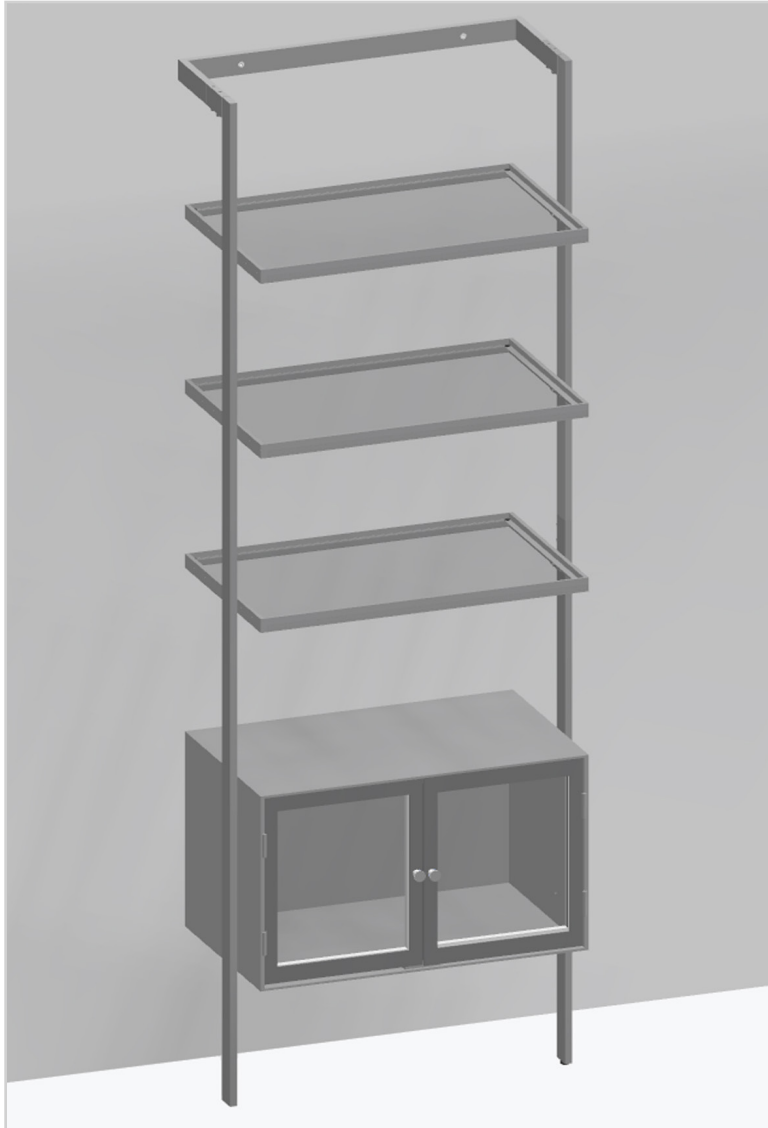
When done, take the glass shelves (H) and place it over the bump-ons. Support the glass by placing one hand under the rod and holding the glass with the other hand. Ensure that they are fixed properly.



step 8:

Now, insert screws (O) and tighten completely with the help of a screwdriver.





Voila! Your shelf is now assembled and secure!

you've
got
a home
with us

