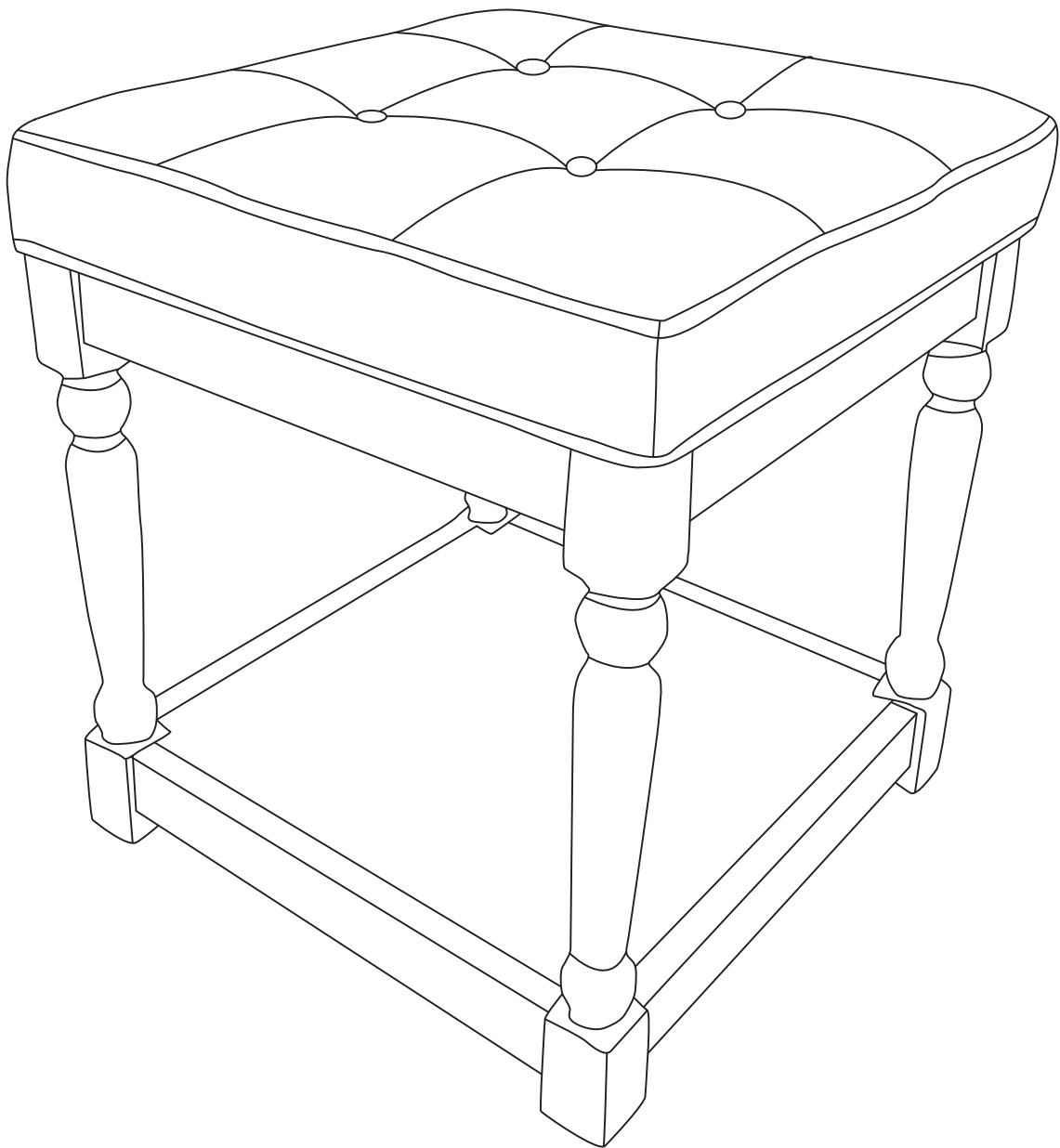


# Assembly Instructions



## ASSEMBLY REQUIREMENT

**1 PERSON ASSEMBLY | 30 MINUTES ASSEMBLY TIME (APPROXIMATE)**

**TOOLS REQUIRED: ALLEN WRENCHES (PROVIDED)**

## ASSEMBLY REQUIREMENT

1. Remove all packaging materials, staples and packing straps from the carton.
2. Refer to Parts Checklist and ensure they are complete before you start assembling .

## TIPS FOR ASSEMBLY

1. Allow ample room for assembly and in close proximity to where product will be placed.
2. Assemble the product on a surface that does not scratch or damage the exterior and finish of the furniture.
3. During assembly, do not over-tighten any fittings as this may cause damage.
4. **DO NOT USE POWER TOOLS TO ASSEMBLE THIS PRODUCT.**
5. Do not sit or stand on the partially assembled product, only use the product for which it is intended.

## CARE AND USE

- Recommended for indoor and residential use only.
- Wipe with a soft, dry cloth. DO not use harsh abrasives or household cleaners as they may damage the finish.
- Check all the fittings periodically and re-tighten as necessary. Do not use the product if any of the parts is damaged or broken.

### **Chairs Limited Warranty**

**Chairs are warranted from the date of purchase against failure due to material and workmanship as follows**

1 YEAR on component parts including screws, pillow and armrests.

1 YEAR on Upholstery fabric and foam against wear and deterioration.

To make a warranty claim, please contact us, provide model number, proof of purchase description of the problem.

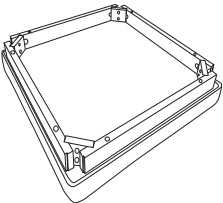
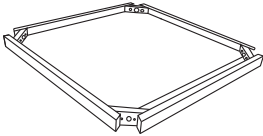
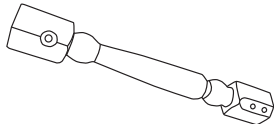
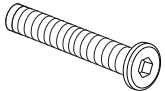

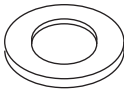

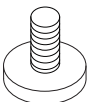
#### **At it's option we will:**

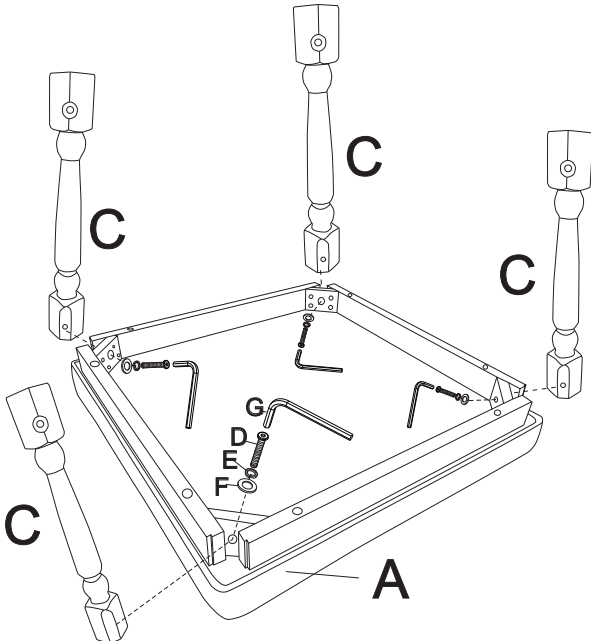
- a) Supply compatible components of current manufacture.
- b) Send a new product if necessary, customer must return the original product to the warehouse. Return freight will be paid by us.

#### **RETURN POLICY**

Customers can request to return the item within 30 days of receiving it. Return freight will be paid by us.

# PARTS CHECKLIST

|  |  |   |   |
|--|--|---|---|
|  <p>Ax1</p>           |  <p>Bx1</p>                 |  <p>Cx4</p> | <p>M8*60</p>  <p>Dx8</p> |
| <p>M8</p>  <p>Ex8</p> | <p>8*22*1.5</p>  <p>Fx8</p> |  <p>Gx1</p> |  <p>Hx4</p>              |



AX 1

---

CX 4

---

DX 4

---

EX 4

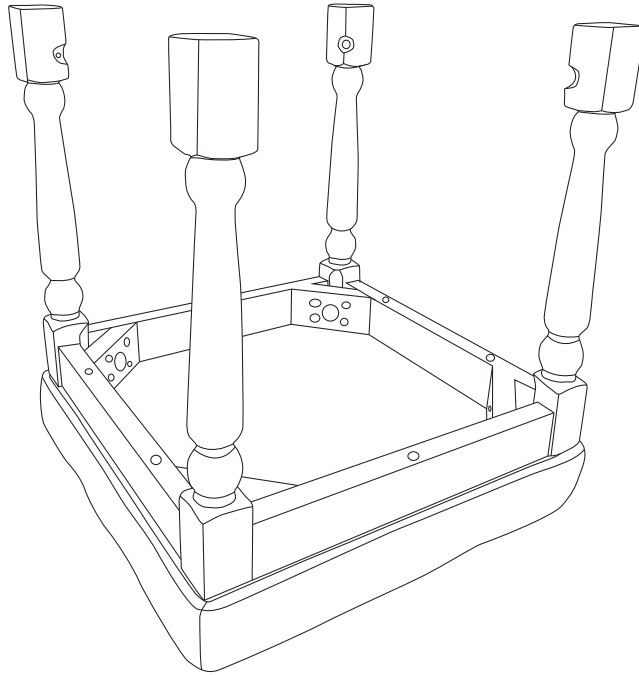
---

FX 4

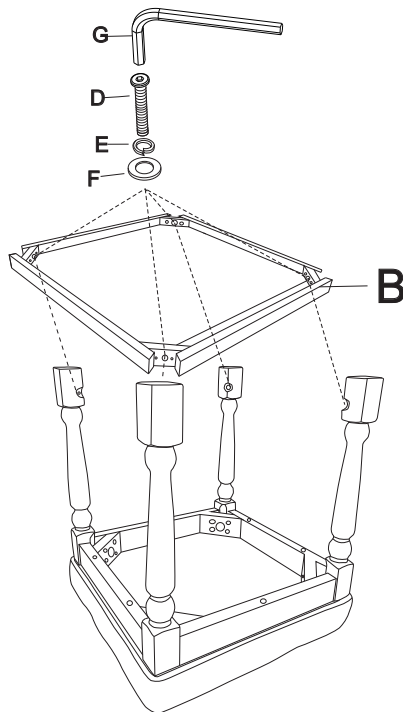
---

GX 1

**Step 1:** Check that the fittings are complete before installation. Use part D (screw), part E (ring), part F (Gasket), connect part C (leg) to part A (Top) and tighten with part G.

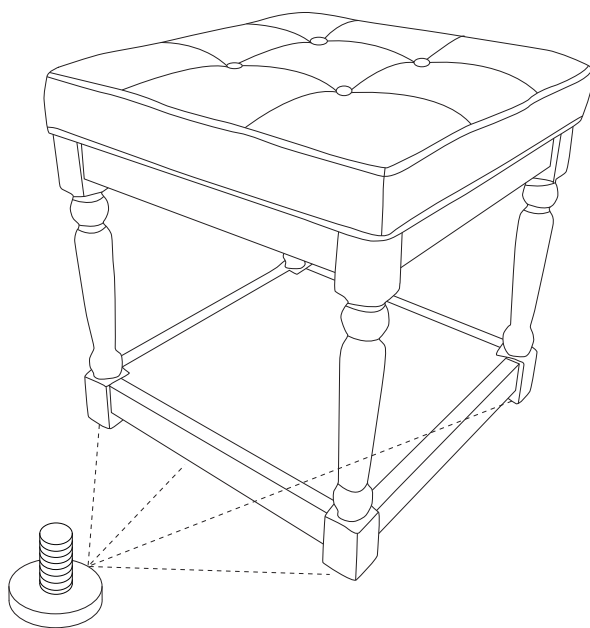


**Step 2:** Step 1 After the installation is complete

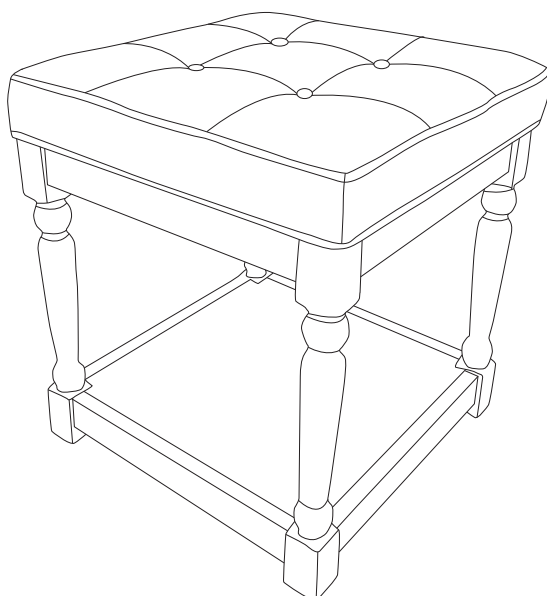


|       |
|-------|
| B X 1 |
| D X 4 |
| E X 4 |
| F X 4 |
| G X 1 |

**Step 3:** Install as instructed on the label, Use Part D (screw), Part E (ring), Part F(Gasket), connect Part B(bottoms) to Part C(leg), and tighten with Part G.



**Step 4:** Finally, install Part H(footpad) on Part C(leg)



**Step 5:** After installation, the height can be raised or lowered by adjusting part H(footpad).