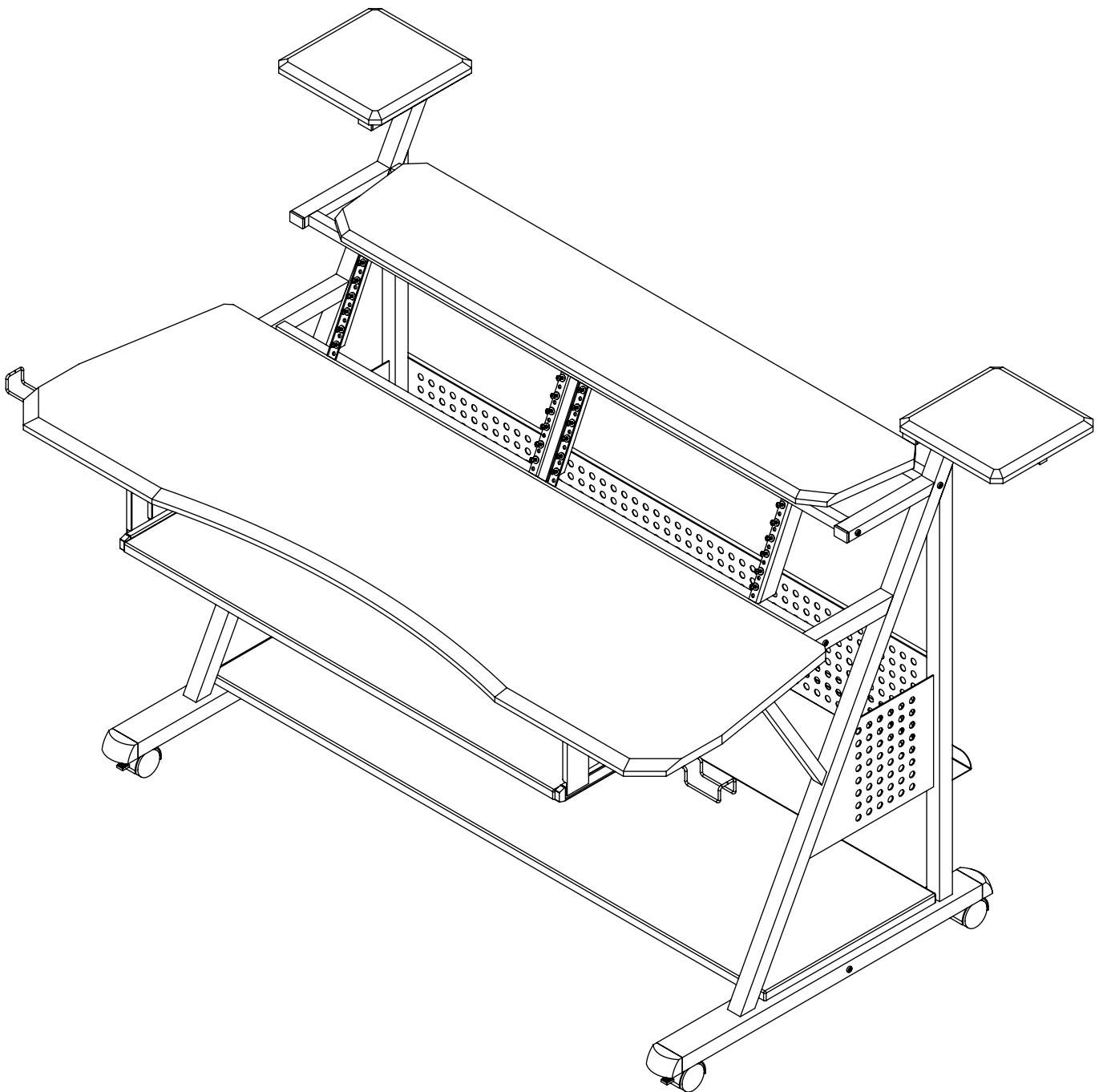


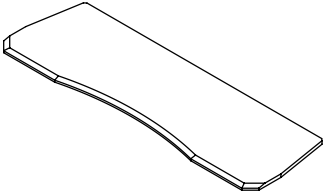
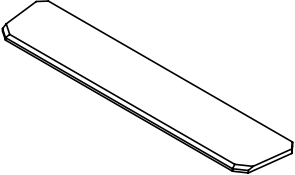
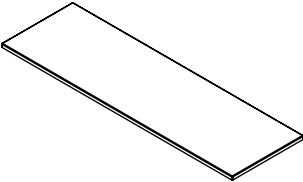
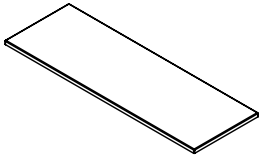
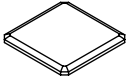
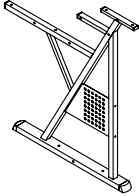
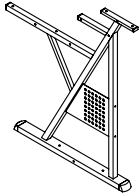
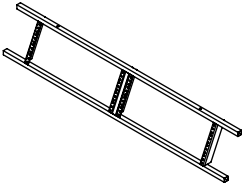
ASSEMBLY INSTRUCTION

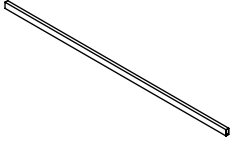
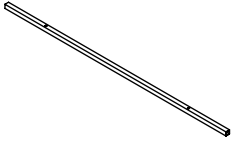
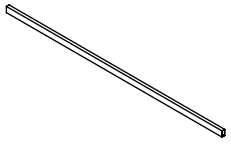
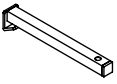
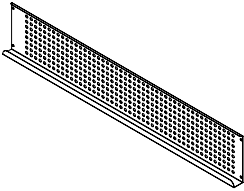
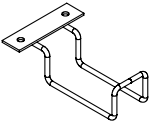
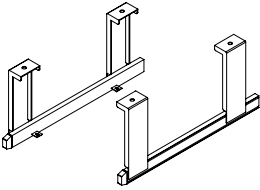
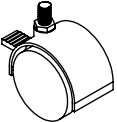
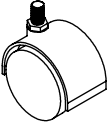
MODEL#BM276200

Thank you for purchasing the quality product. Be sure to check all packing material carefully for small parts which may have come loose inside the carton during shipment. Separate, identify and count all parts and metal hardware. Compare with all parts list to be sure all parts are present. If any part(s) are missing or damaged, please contact your local furniture dealer. For efficient and speedy service, please indicate the model number and code letter of part(s) needed.



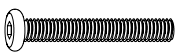
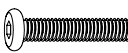
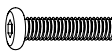
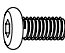
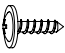
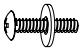




** Do not fully tighten screws until fully assembled **

COMPONENT PARTS		
DESCRIPTION	PART NAME	QTY(PCS)
①	DESKTOP 	1
②	TOP SHELF 	1
③	BOTTOM SHELF 	1
④	KEYBOARD SHELF 	1
⑤	SMALL TOP SHELF 	2
⑥	LEFT PANEL 	1
⑦	RIGHT PANEL 	1
⑧	UPPER FRAME 	1

<p>⑨</p>	<p>SUPPORT BAR FOR DESKTOP</p> 	<p>1</p>
<p>⑩</p>	<p>SUPPORT BAR FOR TOP SHELF</p> 	<p>1</p>
<p>⑪</p>	<p>SUPPORT BAR FOR BOTTOM SHELF</p> 	<p>1</p>
<p>⑫</p>	<p>SUPPORT BAR FOR SMALL TOP SHELF</p> 	<p>2</p>
<p>⑬</p>	<p>REAL PANEL</p> 	<p>1</p>
<p>⑭</p>	<p>HEADSET HOLDER</p> 	<p>2</p>
<p>⑮</p>	<p>KEYBOARD SLIDER SET</p> 	<p>1</p>
<p>⑯</p>	<p>LOCKING CASTER</p> 	<p>2</p>
<p>⑰</p>	<p>NON-LOCKING CASTER</p> 	<p>2</p>

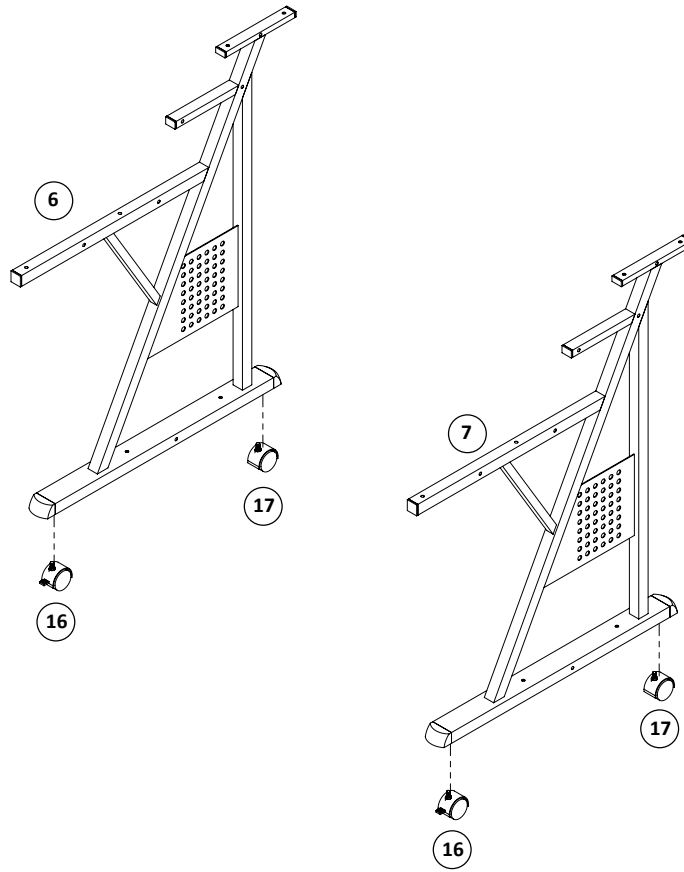
HARDWARE REQUIRED

A		ALLEN BOLT	M6X82MM	2	PCS
B		ALLEN BOLT	M6X50MM	10	PCS
C		ALLEN BOLT	M6X40MM	8	PCS
D		ALLEN BOLT	M6X30MM	4	PCS
E		ALLEN BOLT	M6X25MM	6	PCS
F		ALLEN BOLT	M6X12MM	8	PCS
G		PHILLIPS SCREW	M4X15MM	8	PCS
H		PHILLIPS BOLT&WASHER	M5X19MM	24	PCS
I		ALLEN WRENCH		1	PCS
J		OPEN-END WRENCH		1	PCS

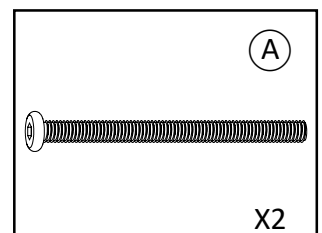
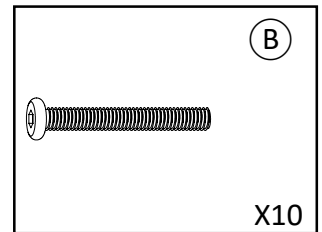
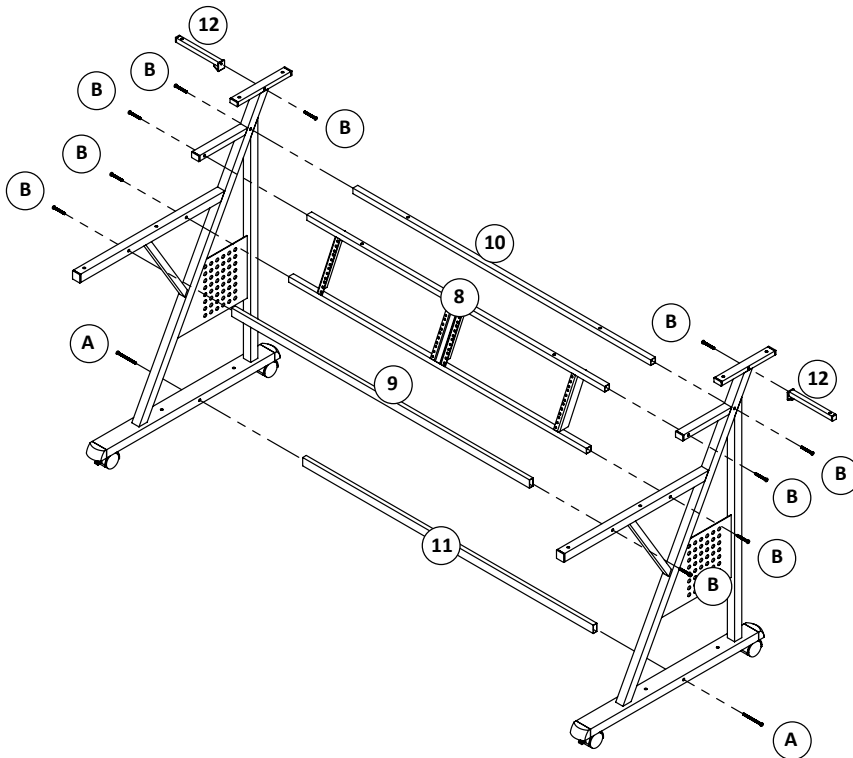
Attention

***Some number parts listed on the instruction sheet may not be in parts bag as they may already be assembled. Carefully check parts and packing materials prior to ordering replacements.

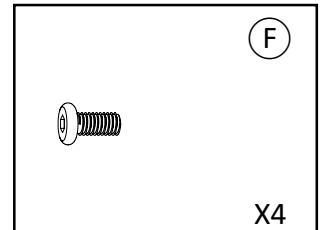
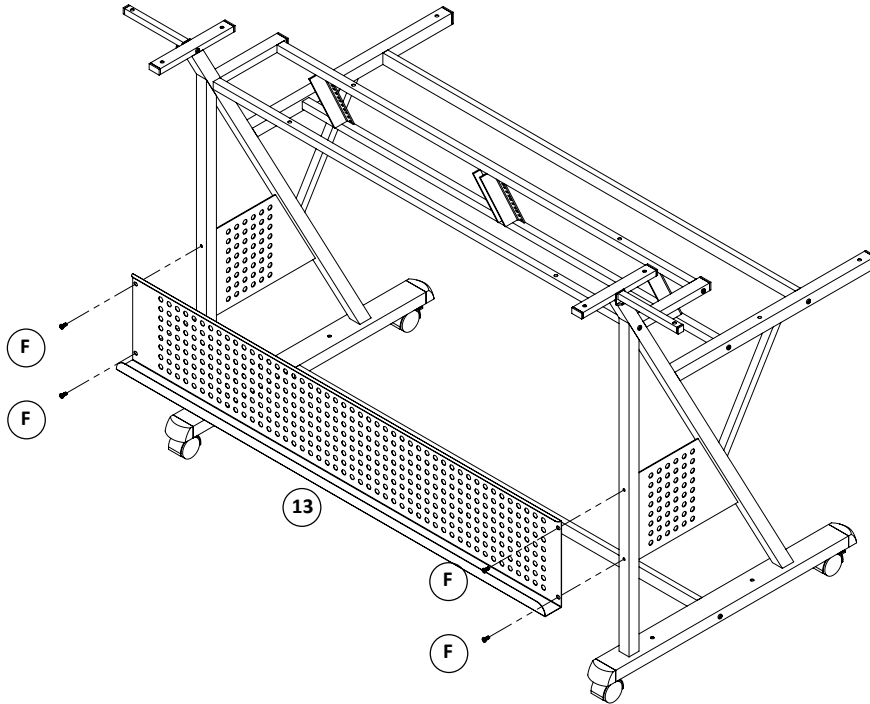
Step1



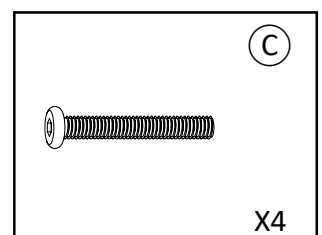
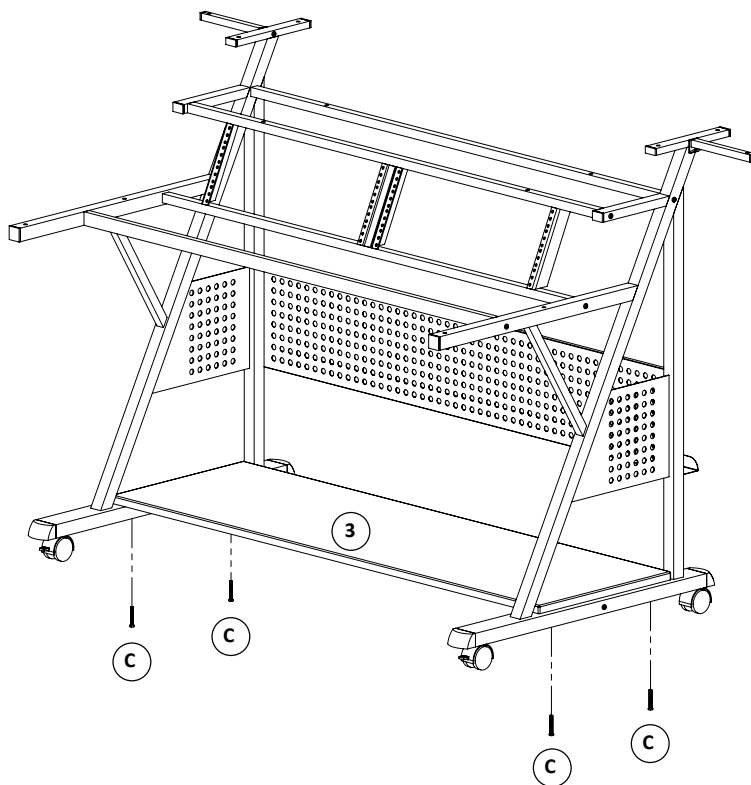
Step2



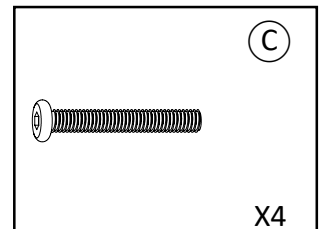
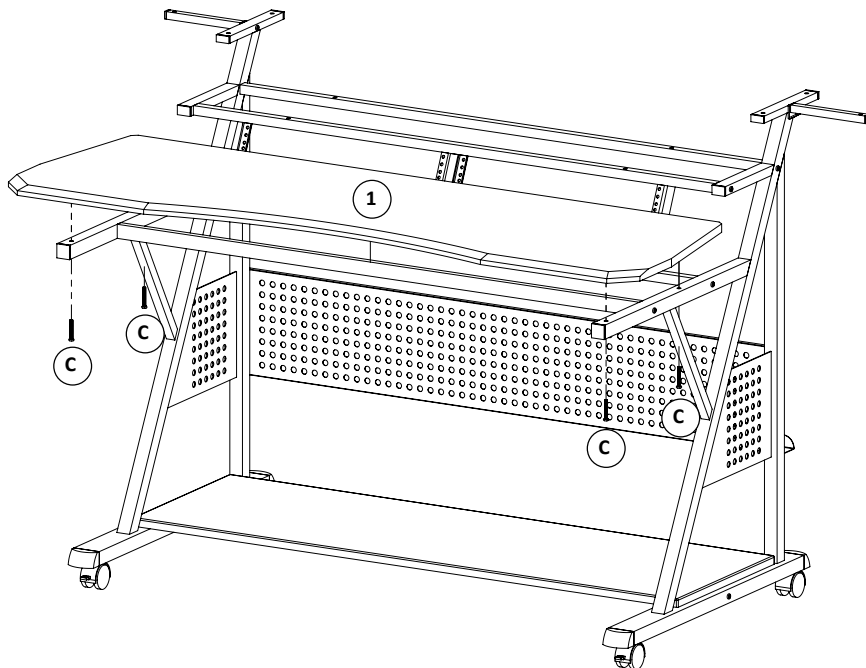
Step3



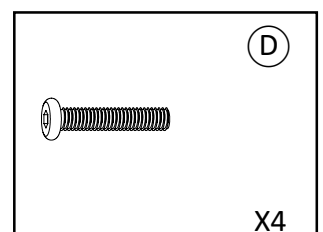
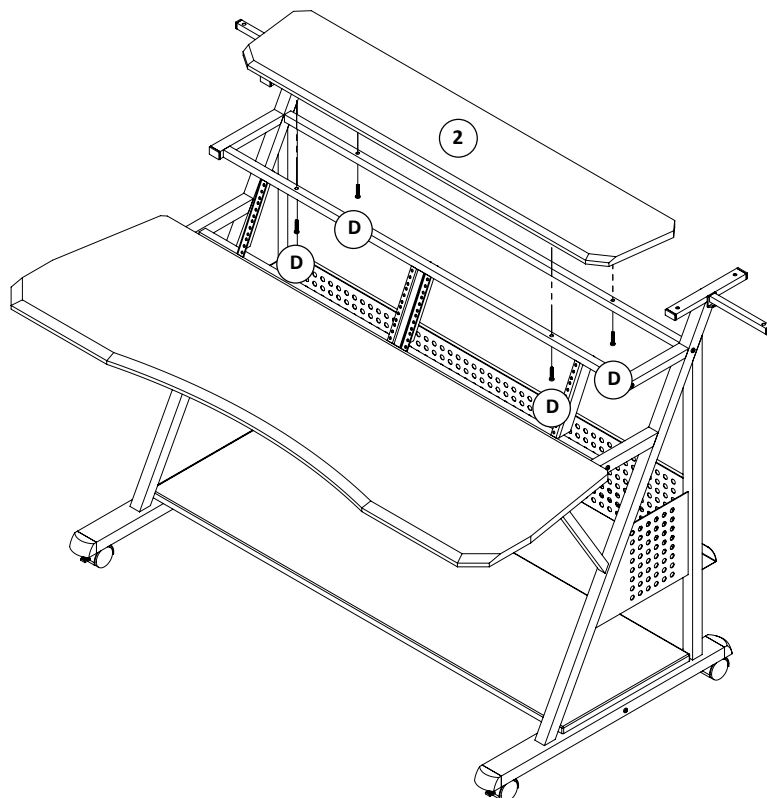
Step4



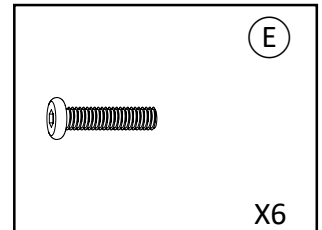
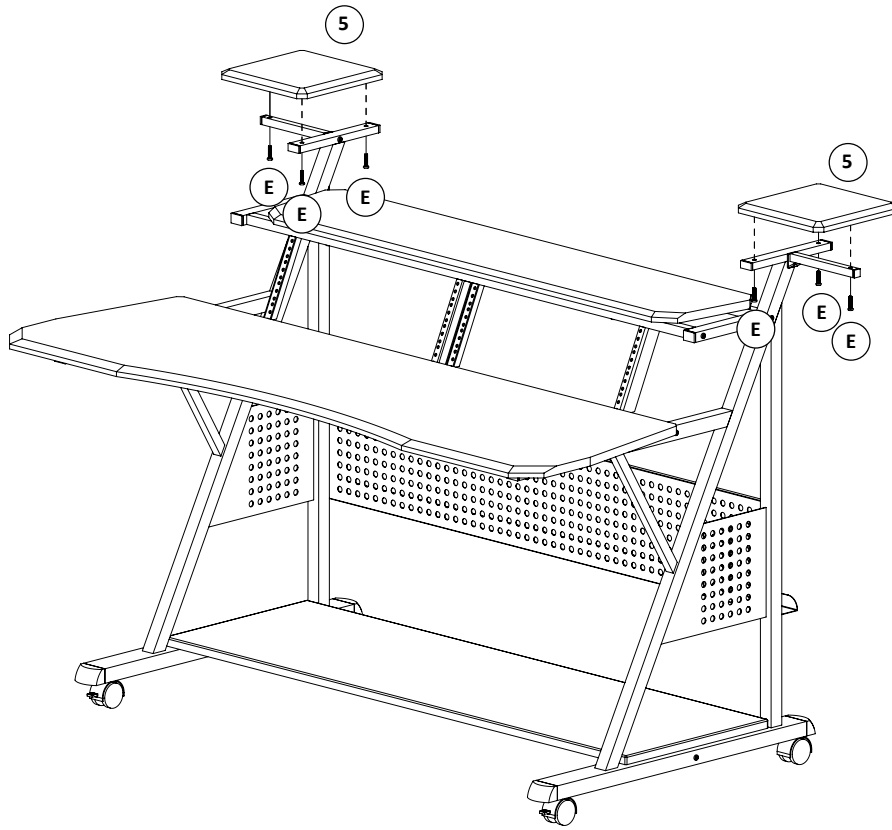
Step5



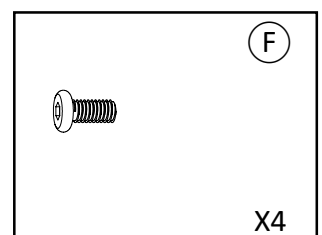
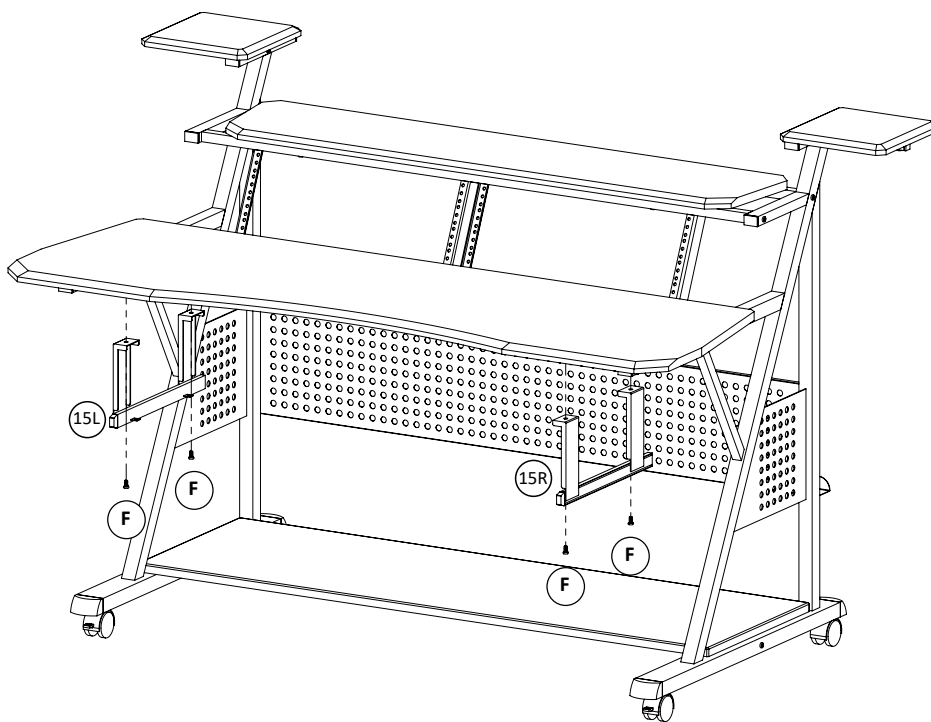
Step6



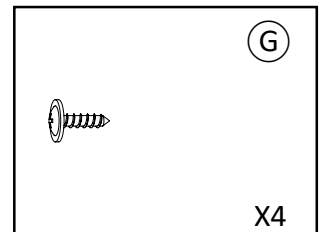
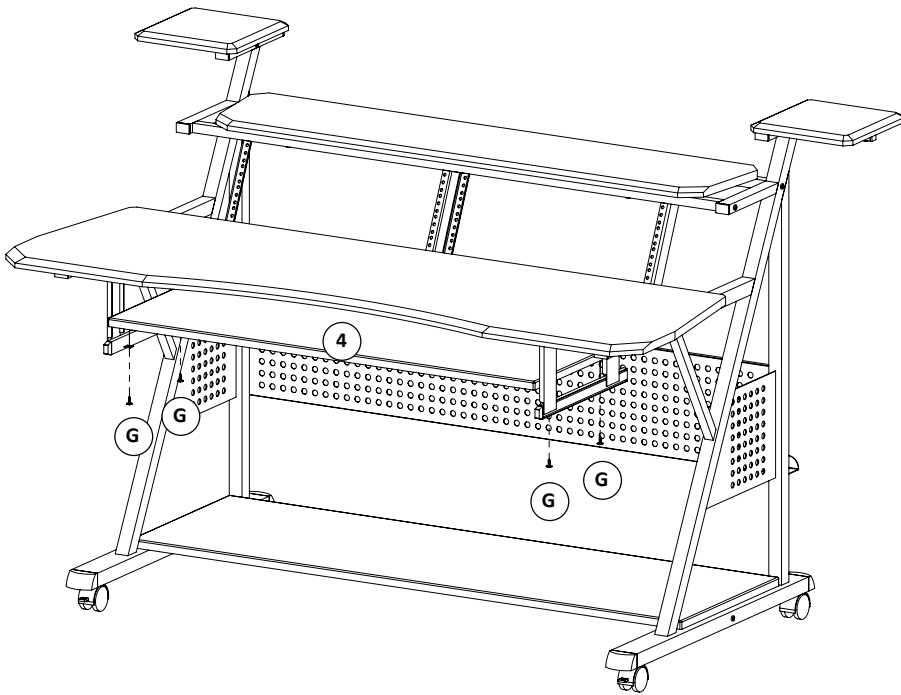
Step 7



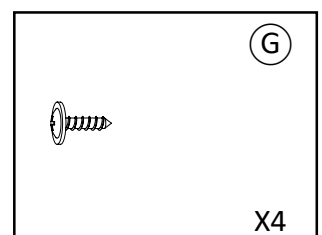
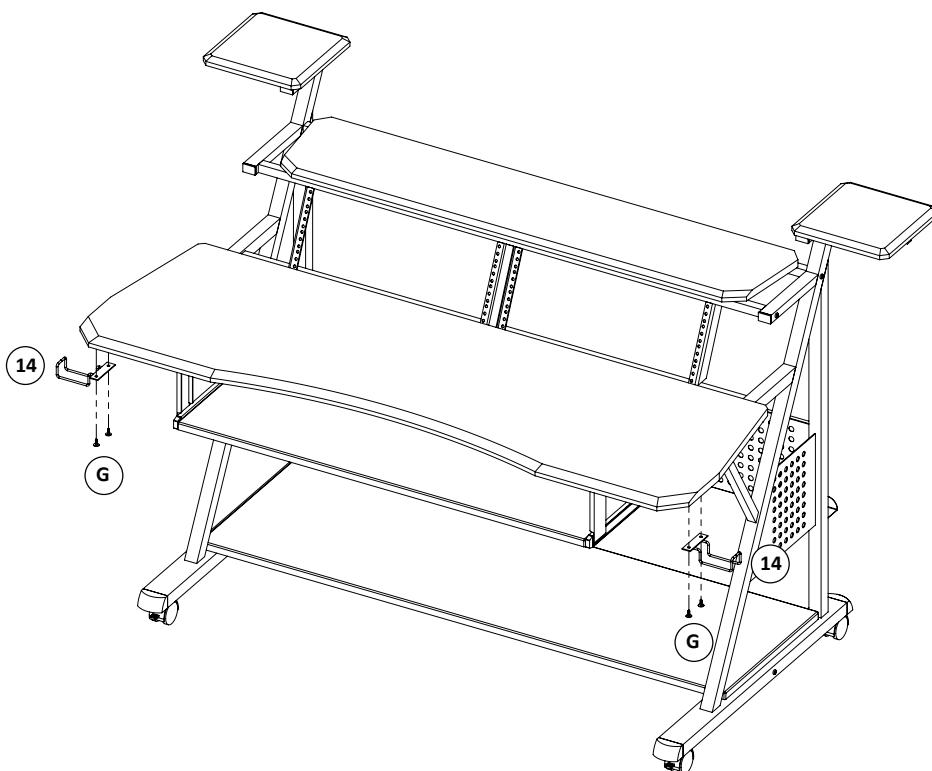
Step 8



Step9



Step10



Step11

