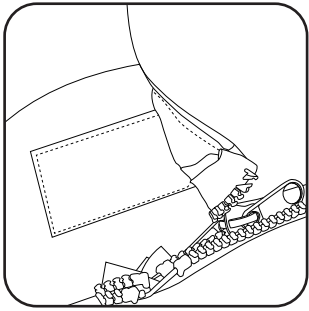
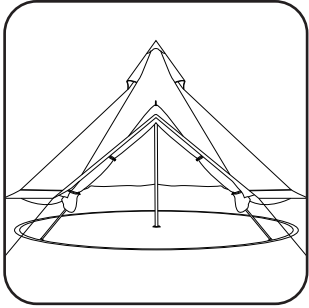


FEATURE



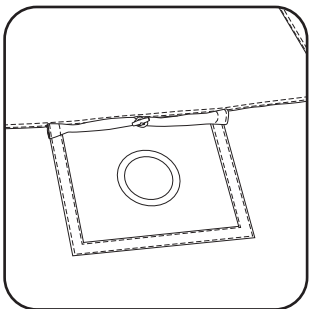
Feature A : PVC mosquito repellent sticker with Velcro

A semicircle of PVC material is sewn in the middle of the door curtain. After closing the bug mesh, it can be glued to the door curtain to eliminate the zipper gap.



Feature B : Separable Groundsheet Design

In addition, the tent can be switched to the outdoor canopy mode by opening the zipper of the tent floor for better ventilation and cooling.



Feature C : Built-in Stove Jack

It has a 4.3" stove jack, made from fire retardant material with a 14x12 inch flap so you can safely cook inside the canvas tent and close the flap cover when not in use.

PRECAUTIONS:

1. Please avoid using it in extreme environments, such as heavy rain/blizzard weather.
2. After daily use, ensure that the tent is in a dry state before storage to avoid mold formation.
3. The waterproof performance on surface which warranty life can be as long as 60 weeks (about 1 year).



Brand Concept

Letkind, a top manufacturer and good designer, has decades of experience in manufacturing camping products. Each piece is sleekly designed, rigorously tested for durability, and assembly instructions have been standardized for simplicity from start to finish.

Letkind always looks forward to creating a freedom lifestyle for more people, and more opportunities to explore the unknown and explore the value of life!

Letkind hopes your leisure time delightful and comfortable by providing more camping products with reliable craftsmanship and durable material and 24 Hours service.

Our Service

30-day money back guarantee.

90-day warranty for quality-related issue with free replacement.

24 Hours Online Customer Service FOR YOU!

Reminder: Be sure to use your product as directed.

WhatsApp: 0086-13905747420

EMAIL: letkind@163.com



Order Status



Installation Help



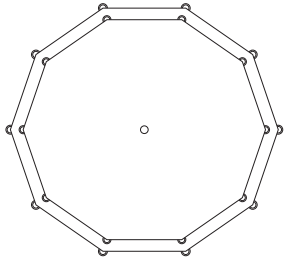
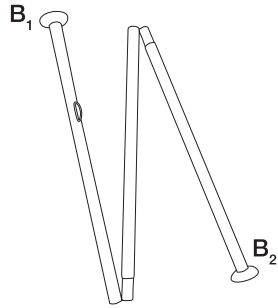
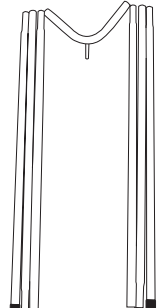
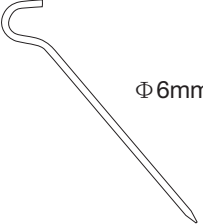
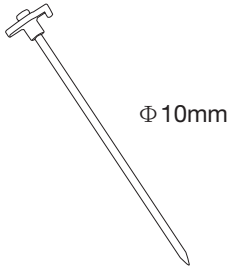

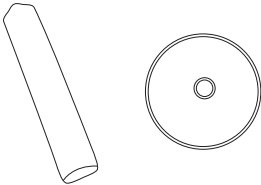
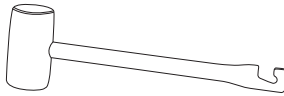

Gift Cards



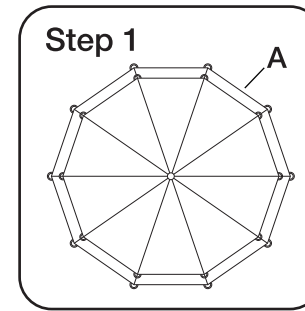
New Product Discount



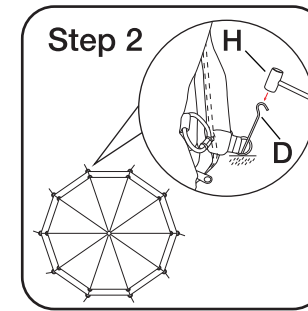
ACCESSORIES DETAILS

		
A Tent x 1	B Center Support Pole x 1	C Short Door Pole x 1
		
D Galvanized Steel Peg x 10	E Windproof Steel Stake x 10	F Windproof Rope x 10
		
G Rain Cap Set x 1	H Rubber Mallet x 1	I Ground Tarp x 1

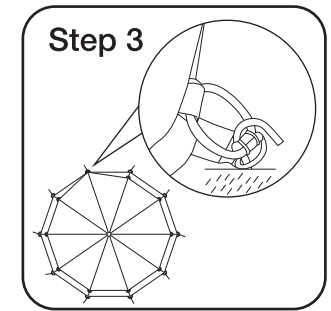
ASSEMBLY INSTRUCTIONS



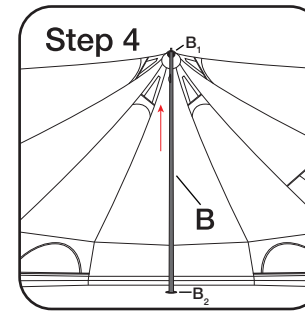
Step 1
Clear a flat ground and lay the tent on the ground.



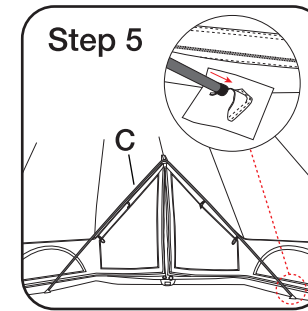
Step 2
Choose $\Phi 6\text{mm}$ steel pegs and peg the tent to the ground with rubber mallet.



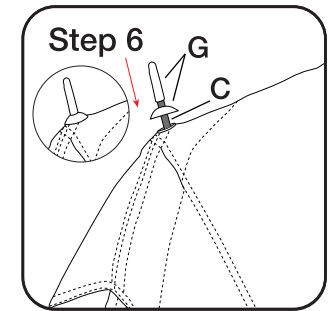
Step 3
Hook the shock-absorbing plastic cord into steel pegs.



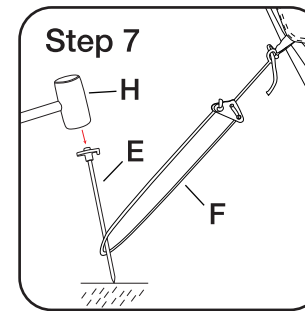
Step 4
Put the center pole into the tent to holding up the roof.



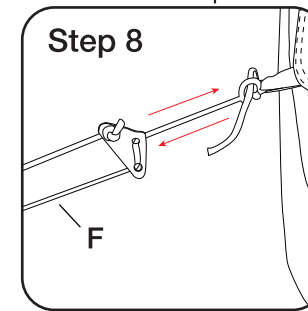
Step 5
Insert the bottom end into the anti-skid bag firstly, then pass the tip through the hole above the door curtain to prop the entrance up.



Step 6
Thread the rain cap into the tip of the door pole that exposes above the hole.



Step 7
Tie the ropes to the tent, and fix the other end on the $\Phi 10\text{mm}$ steel stakes.



Step 8
Use the functional slider on the windproof rope to adjust the length to better fix the tent.



PLEASE SCAN THE QR CODE TO WATCH THE INSTALLATION VIDEO ON YOUTUBE