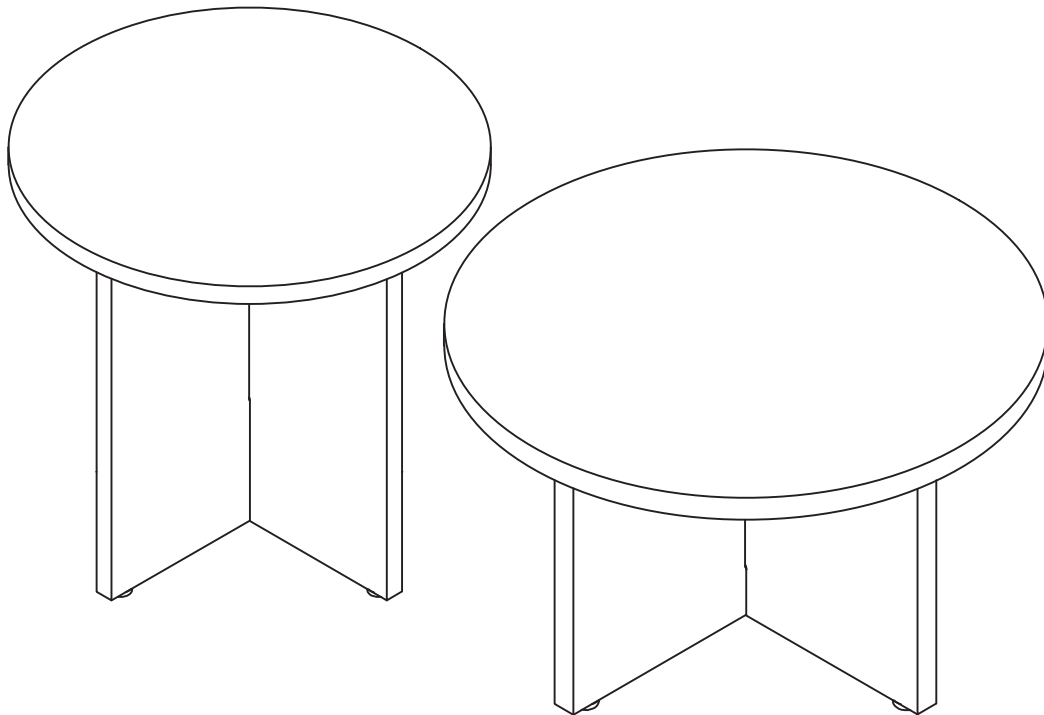
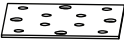

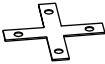
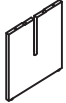
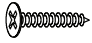
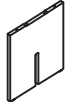



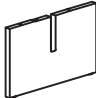

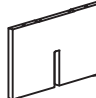
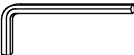
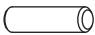




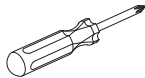
**Round Top Nesting Coffee Table Set**  
Assembly Instructions



Hardware Pieces		Quantity	Your Parts		Quantity		
<b>A</b>		Square Bracket	2	<b>1</b>	Small Tabletop		1
<b>B</b>		"X" Bracket	2	<b>2</b>	Tall Lower Leg		1
<b>C</b>		Screw	16	<b>3</b>	Tall Upper Leg		1
<b>D</b>		Hex Bolt	8	<b>4</b>	Large Tabletop		1
<b>E</b>		Spring Washer	8	<b>5</b>	Short Lower Leg		1
<b>F</b>		Flat Washer	8	<b>6</b>	Short Upper Leg		1
<b>G</b>		Allen Key	1				
<b>H</b>		Wood Dowel	8				

### What You'll Need

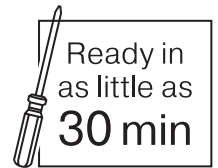
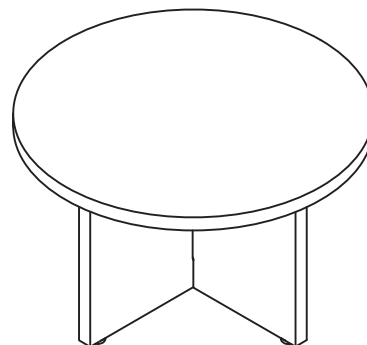
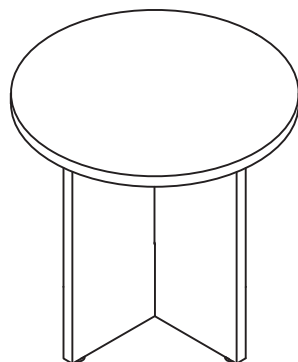
- Phillips screwdriver



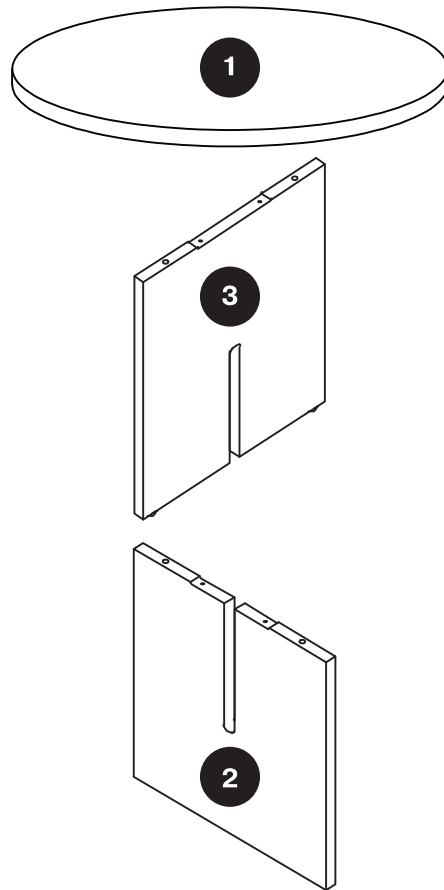
- A blanket or a flattened box to protect your piece during assembly

### Before Assembling, Remember!

- Make sure all hardware and pieces are accounted for before discarding the box.
- Pay close attention to all holes on each panel during assembly.
- Do not overtighten screws, as this may cause splitting.
- Use hand tools when assembling.
- No power tools allowed!

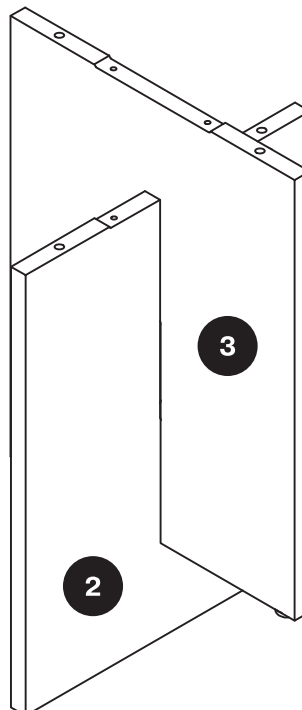


# Let's Build the Tall Table!




## Step 1

Align the slots on the Tall Lower and Tall Upper Legs (2, 3) and slide them together.

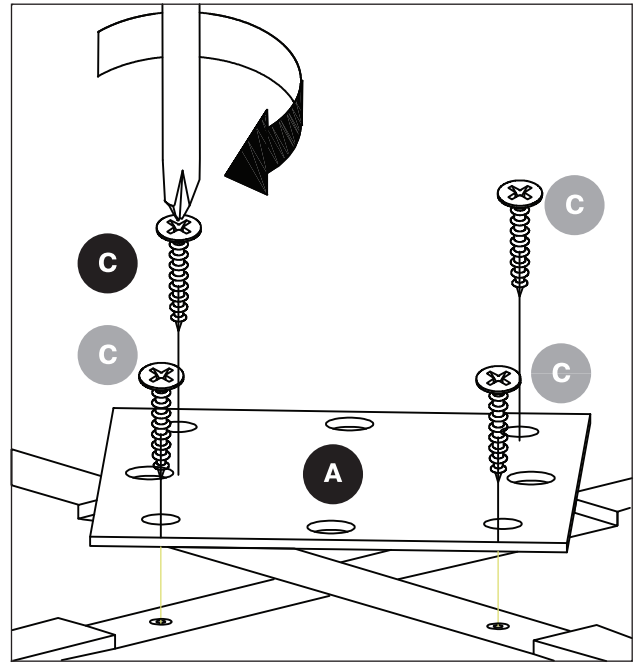
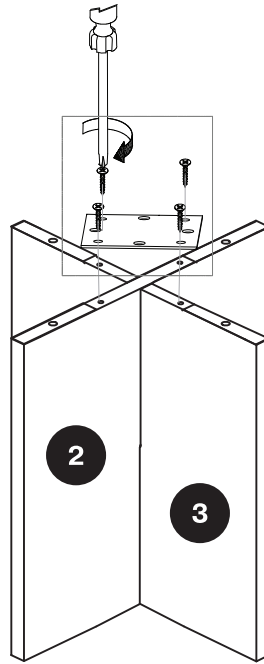


## Step 2

Orient the Legs so the feet are facing down. Attach Square Bracket (A) to the top of the Legs with Screws (C), using a Phillips screwdriver.

**A**  Square Bracket x 1

**C**  Screw x 4




## Step 3

Place Tabletop (1) upside down on a blanket or box. Place Wood Dowels (H) into the holes indicated on the Tabletop. Line up the legs with the Wood Dowels as shown. Attach the Legs to the Tabletop with Hex Bolts (D), Spring Washers (E), and Flat Washers (F) using the Allen Key (G).

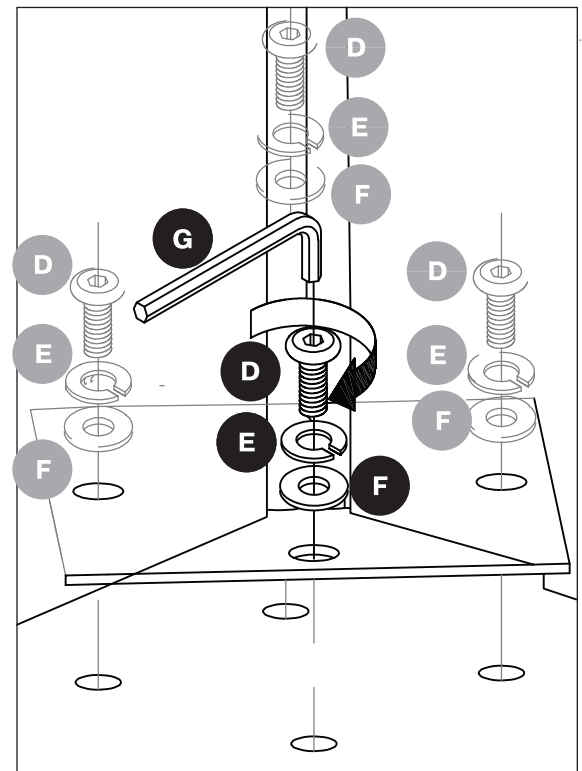
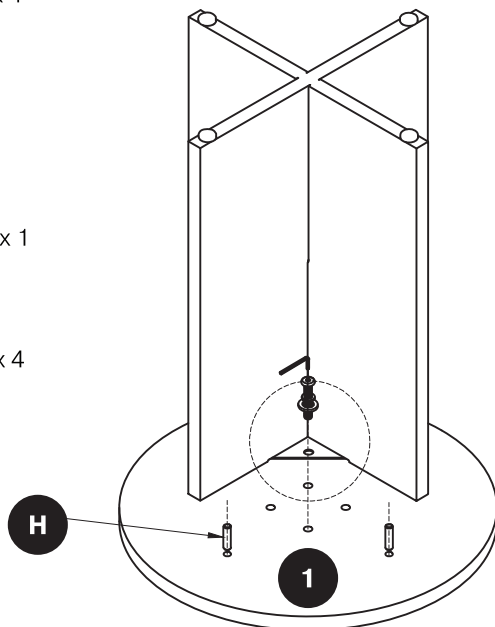
**D**  Hex Bolt x 4

**E**  Spring Washer x 4

**F**  Flat Washer x 4

**G**  Allen Key x 1

**H**  Wood Dowel x 4



## Step 4

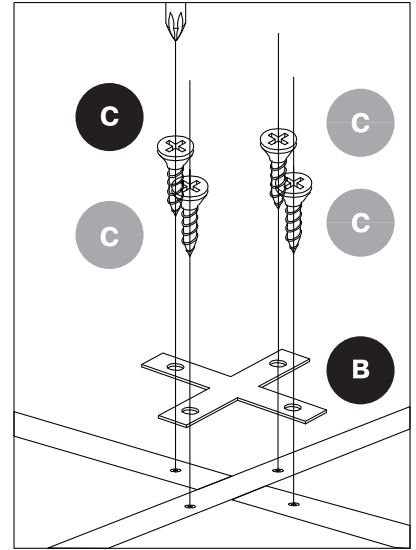
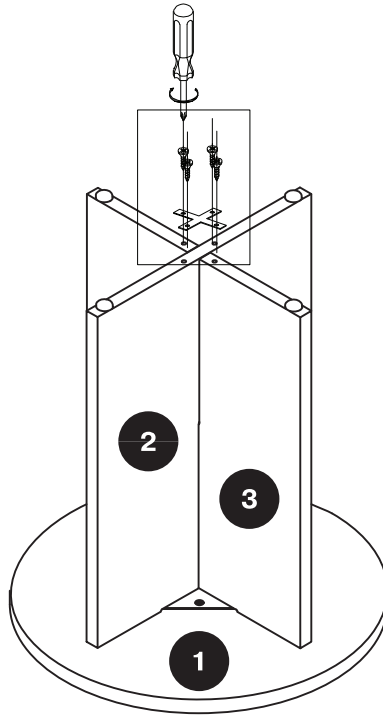
Attach "X" Bracket (B) to the bottom of the Legs with Screws (C).



"X" Bracket x 1

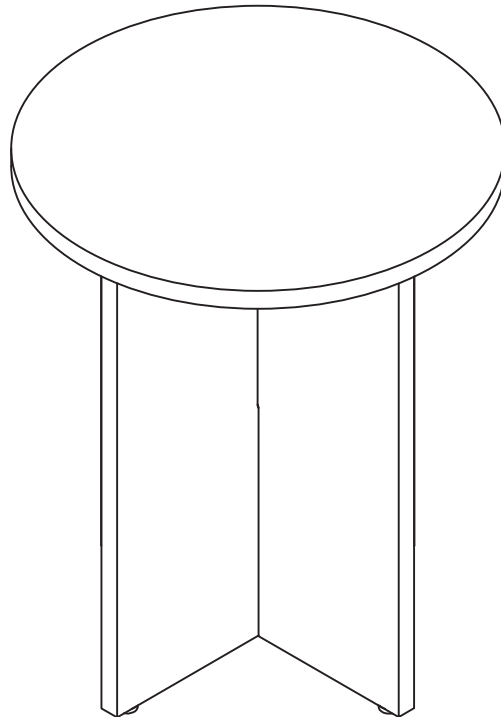


Screw x 4



## Tall Table Finished

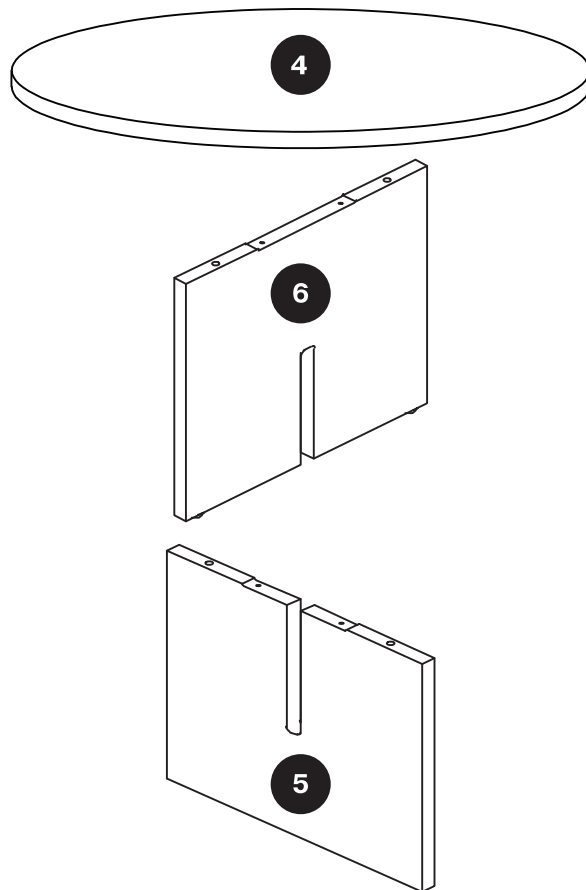
Carefully flip the table over.



# Now Let's Build the Short Table!

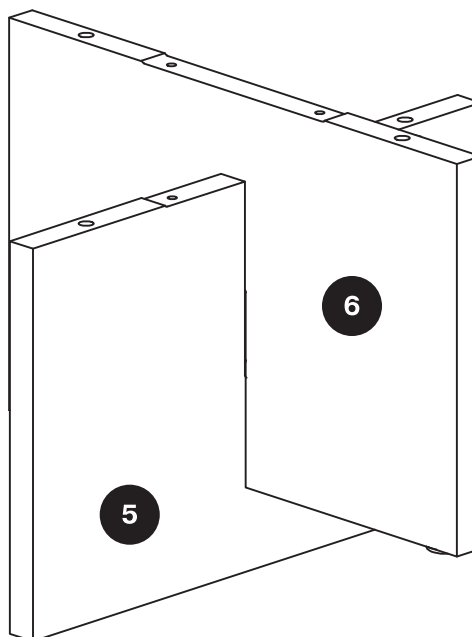
## Step 5

Gather the remaining wood pieces together.



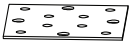
## Step 6

Align the slots on the Short Lower and Short Upper Legs (5, 6) and slide them together.

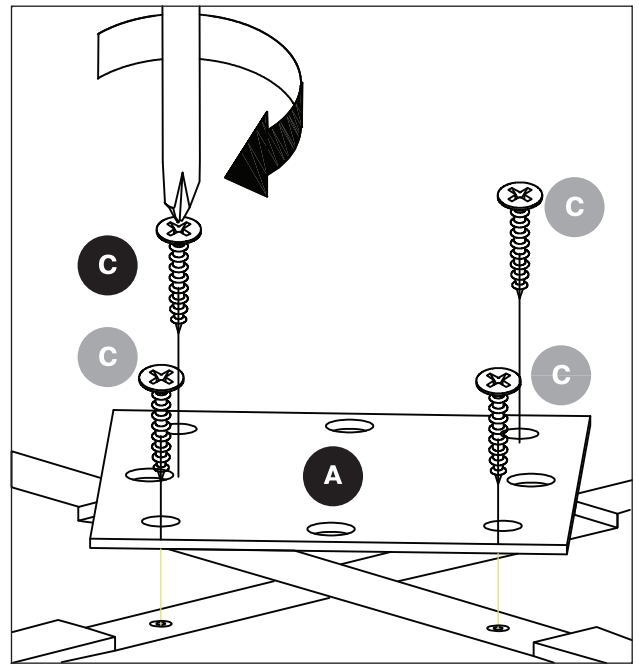
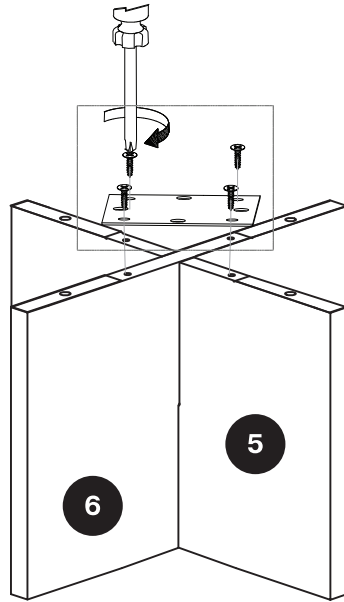


## Step 7

Orient the Legs so the feet are facing down. Attach Square Bracket (A) to the top of the Legs with Screws (C), using a Phillips screwdriver.

**A**  Square Bracket x 1

**C**  Screw x 4




## Step 8

Place Tabletop (1) upside down on a blanket or box. Place Wood Dowels (H) into the holes indicated on the Tabletop. Line up the legs with the Wood Dowels as shown. Attach the Legs to the Tabletop with Hex Bolts (D), Spring Washers (E), and Flat Washers (F) using the Allen Key (G).

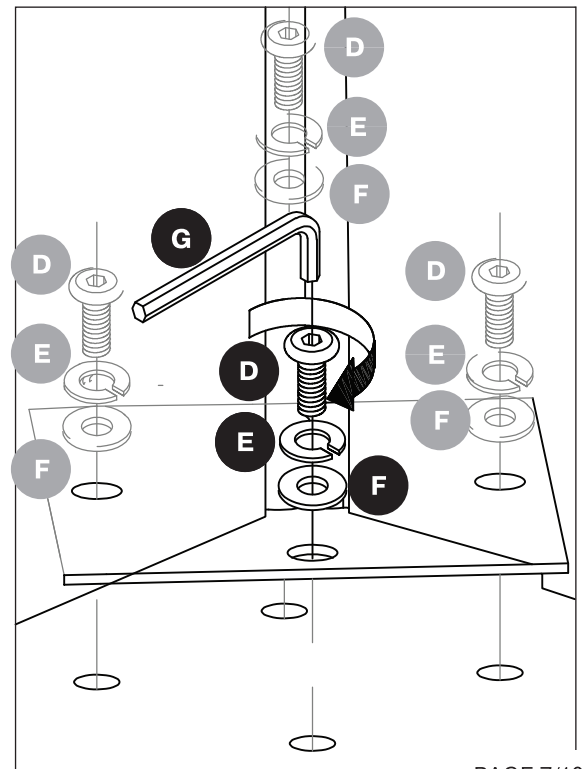
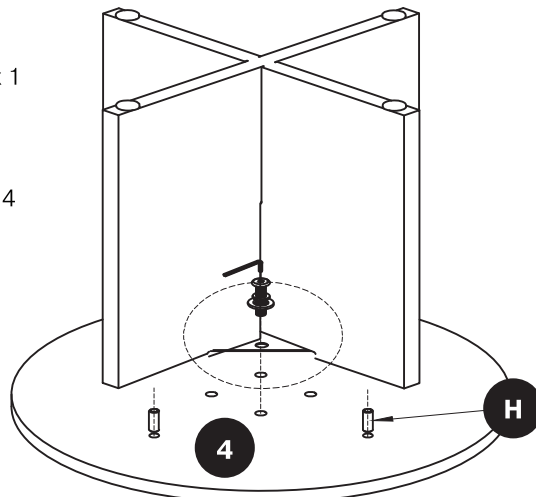
**D**  Hex Bolt x 4

**E**  Spring Washer x 4

**F**  Flat Washer x 4

**G**  Allen Key x 1

**H**  Wood Dowel x 4

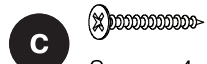


## Step 9

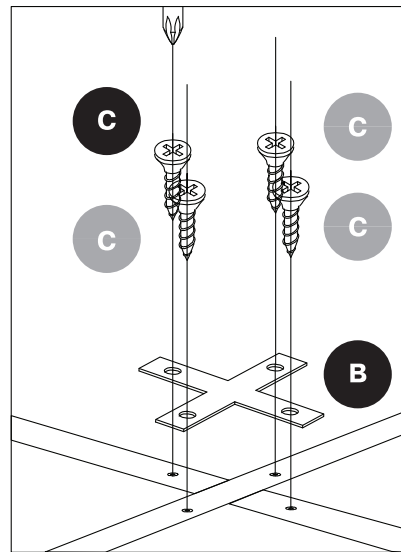
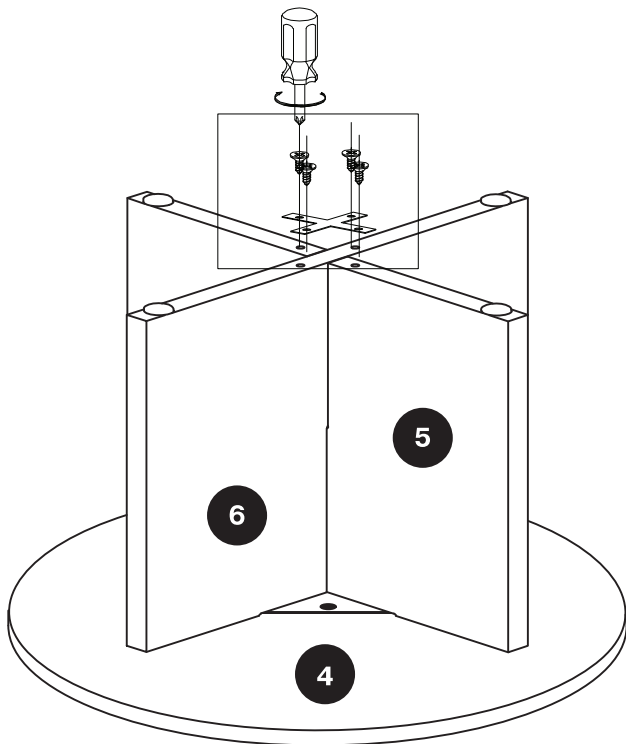
Attach "X" Bracket (B) to the bottom of the Legs with Screws (C).



"X" Bracket x 1

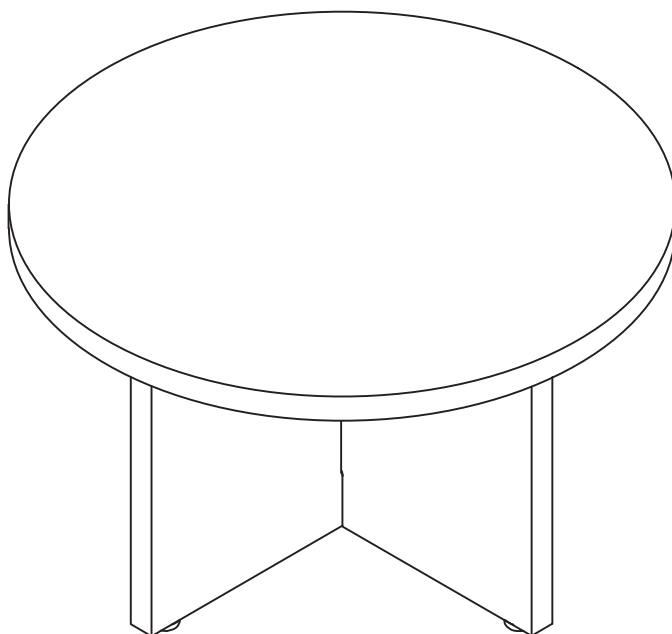


Screw x 4



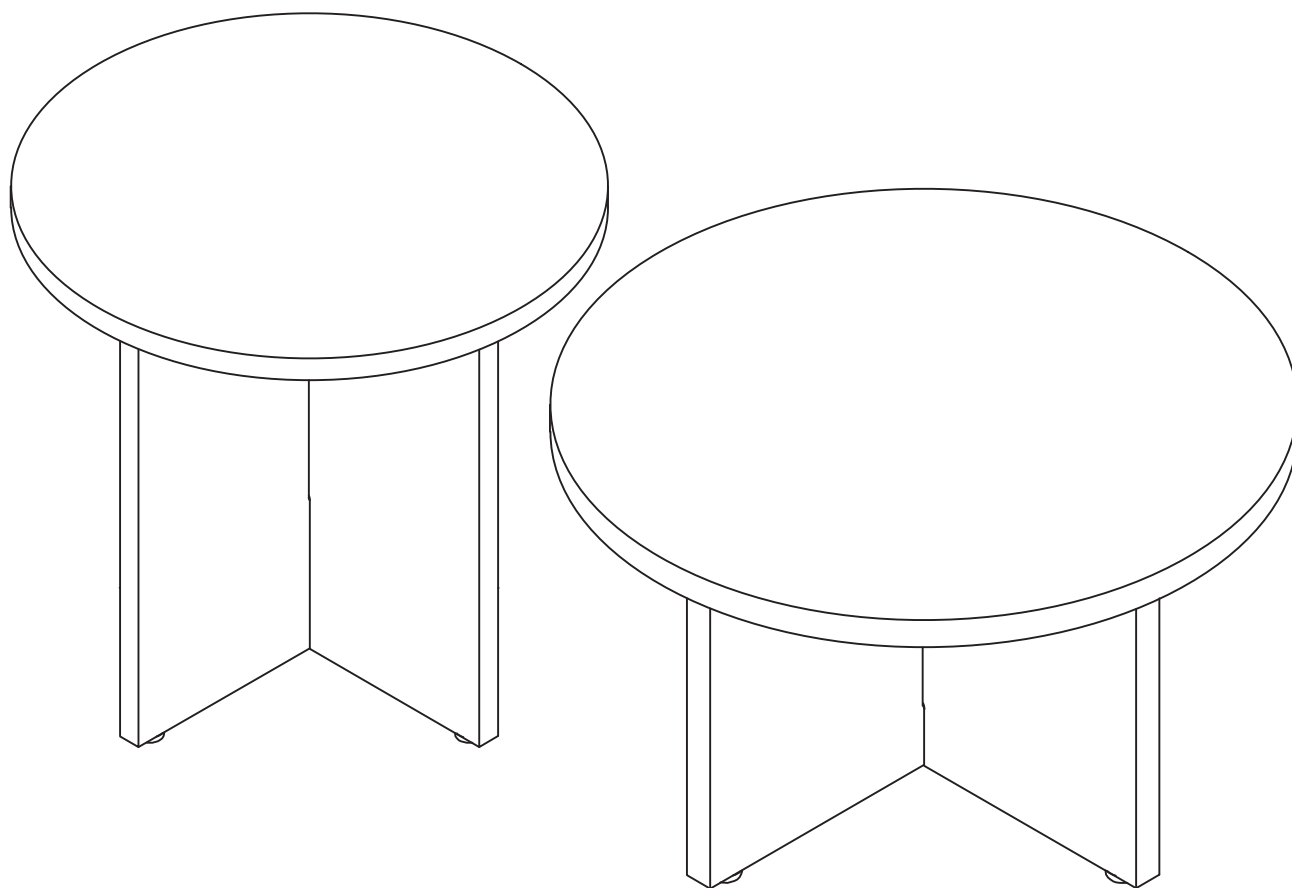
## Short Table Finished

Carefully flip the table over.



## Finished

Pat yourself on the back! You've earned it and a brand new coffee table set.  
Arrange them together or separately.





To see more of our unique products,  
visit our website at [steadfurniture.com](https://steadfurniture.com)

**Questions?** Contact [support@steadfurniture.com](mailto:support@steadfurniture.com)