

Assembly Instruction

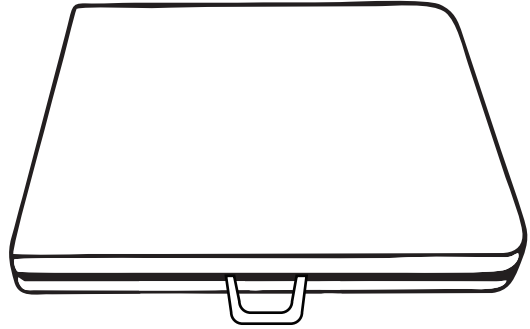
Tips!

Check all the components & screws before assembly. Do not install in case part is missing, contact us to get. Send email with your question



Components

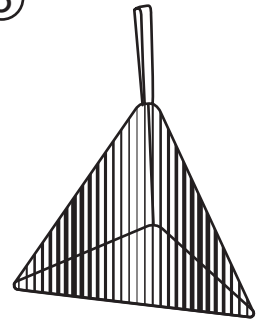
①



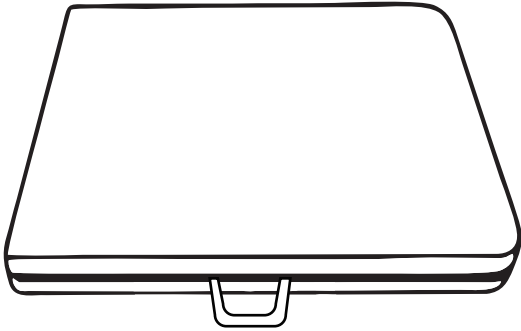
②



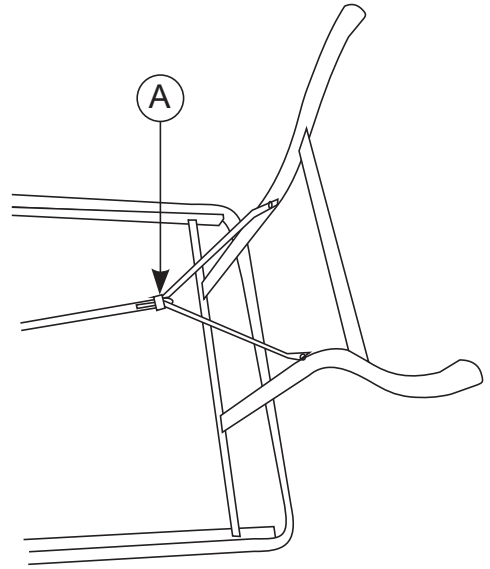
③



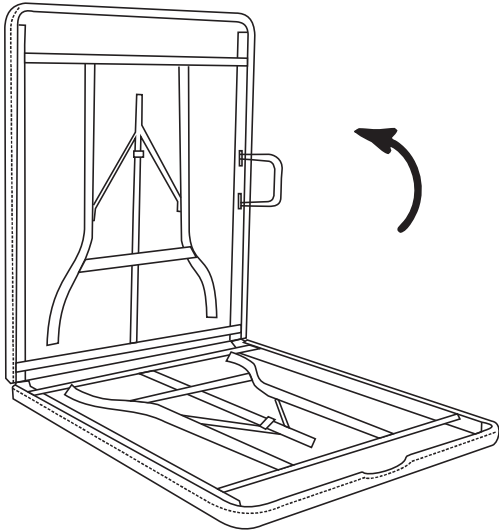
1



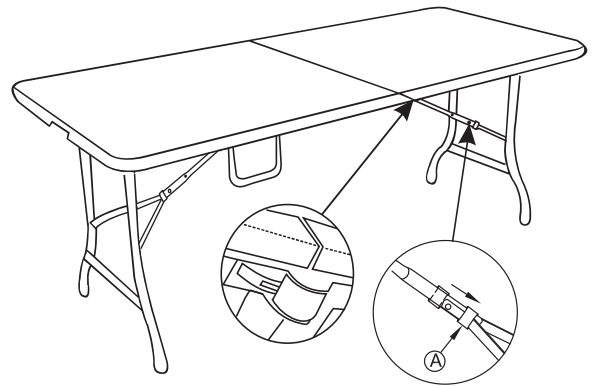
2



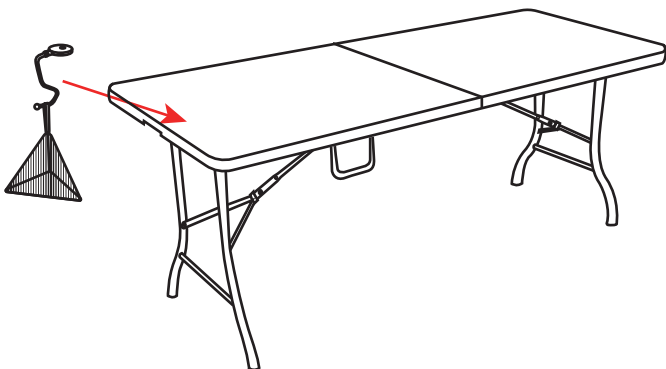
3



4



5



6

