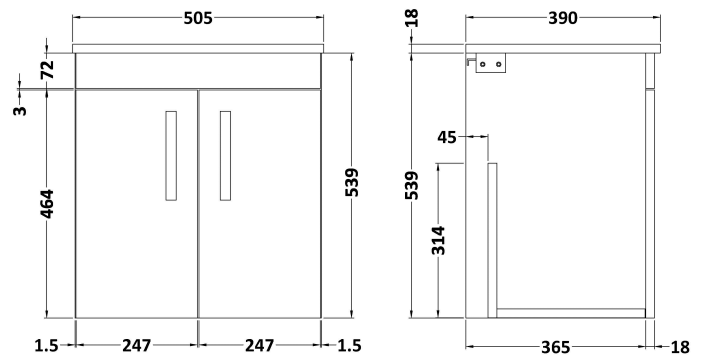


CUSTOMER DATA SHEET

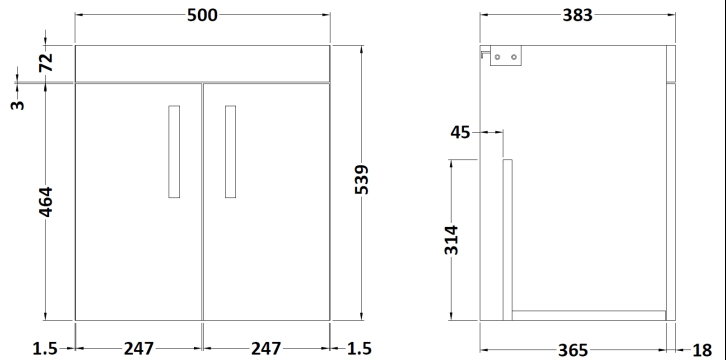
DESCRIPTION:

500 Wall Hung 2-Door & Worktop



CUSTOMER DATA SHEET - FURNITURE

DESCRIPTION: 500 Wall Hung 2-Door Basin Unit



PRODUCT DIMENSIONS

Height (mm)	Width (mm)	Depth (mm)	Nett Wgt Kg
540	500	383	10

PACKAGING DIMENSIONS

Height (mm)	Width (mm)	Depth (mm)	Gross Wgt Kg
405	520	560	10

PACKAGING DATA

Box Colour	Brown Cardboard Box		
Box Qty	1	Label Colour	White Label
Label Size	100 x 50	Label Qty	2

OUTER BOX DIMENSIONS (If Applicable)

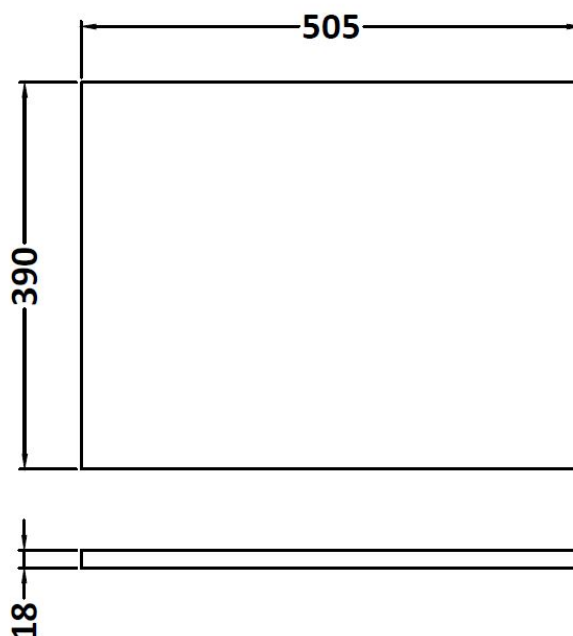
Height (mm)	Width (mm)	Depth (mm)	Gross Wgt Kg

PRODUCT DETAILS

Country of Origin	United Kingdom			
Fitting Instruction	No			
Constr' Method	Cam & Wood Dowel			
Cabinet Finish	MFC Gloss			
Cab Thickness (mm)	18			
Drawer Included	No			
No of Shelves	0			
Hinge Inc'	Yes, Supplied			
Fixings Inc'	Yes			
Handle Inc'	Yes, Supplied			
Handle Type	Strap			
Certification	FSC	Yes	CE	N/A
Colour	Gloss Grey			
Constr' Type	Rigid			
Fascia Finish	MFC Gloss			
Fas Thickness (mm)	18			
Drawer Type	Not Applicable			
Hinge Type	95 Degree Clip-On Soft Close			
Adjustable Legs	No, Not Required			
Handle Style	Contemporary			
Waste Shroud	No			

CUSTOMER DATA SHEET - FURNITURE

DESCRIPTION: 500 Worktop (505X390x18mm)



PRODUCT DIMENSIONS

Height (mm)	Width (mm)	Depth (mm)	Nett Wgt Kg
18	505	390	2

PACKAGING DIMENSIONS

Height (mm)	Width (mm)	Depth (mm)	Gross Wgt Kg
25	525	410	2

PACKAGING DATA

Box Colour	Brown Cardboard Box		
Box Qty	1	Label Colour	White Label
Label Size	140 x 20	Label Qty	2

OUTER BOX DIMENSIONS (If Applicable)

Height (mm)	Width (mm)	Depth (mm)	Gross Wgt Kg

PRODUCT DETAILS

Country of Origin	United Kingdom			
Fitting Instruction	No			
Constr' Method	Not Applicable			
Cabinet Finish	Not Applicable			
Cab Thickness (mm)				
Drawer Included	Not Applicable			
No of Shelves	Not Applicable			
Hinge Inc'	Not Applicable			
Fixings Inc'	Yes			
Handle Inc'	Not Applicable			
Handle Type	Not Applicable			
Certification	FSC	Yes	CE	
Colour	Gloss Grey			
Constr' Type	Flat-Pack			
Fascia Finish	MFC Gloss			
Fas Thickness (mm)	18			
Drawer Type	Not Applicable			
Hinge Type	Not Applicable			
Adjustable Legs	Not Applicable			
Handle Style	Not Applicable			
Waste Shroud	Not Applicable			