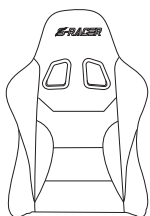




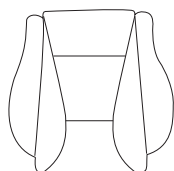
Scan the QR code for the assembly video.  
Contact us via email: [hofficeservice@gmail.com](mailto:hofficeservice@gmail.com) for more information.

Check and make sure you get the components on the list, contact us for any missing

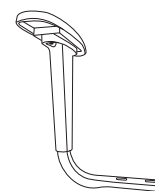
**A** Backrest



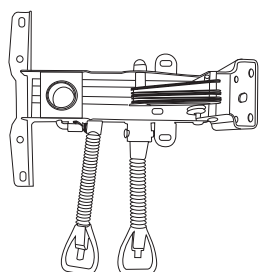
**B** Seat



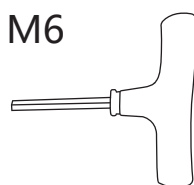
**C<sub>1</sub>** Left armrest **C<sub>2</sub>** Right armrest



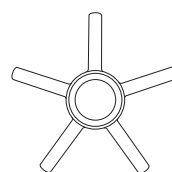
**D** Control unit ×1



**E** Allen Key ×1



**F** Feet base

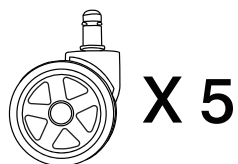


**G** Foot

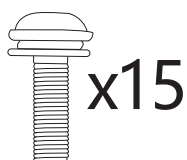


**X 5**

**H** Casters



**J** M8\*25



**K** M6\*20



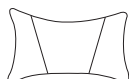
**L** Plastic cover



**M** Gas lift



**N** Headrest



**O** Lumbar support



**P** Steel plate



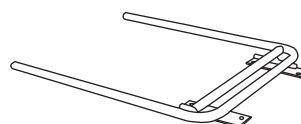
**Q** M6\*20



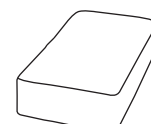
**R** M6\*6



**S** A foot iron

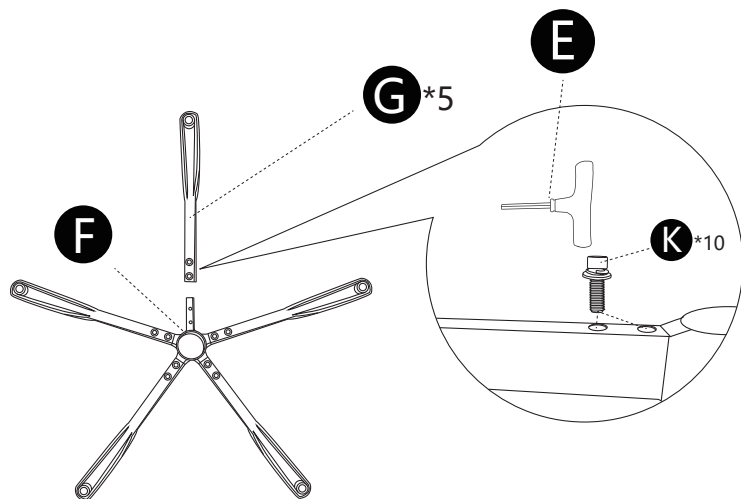


**T** A foot soft package

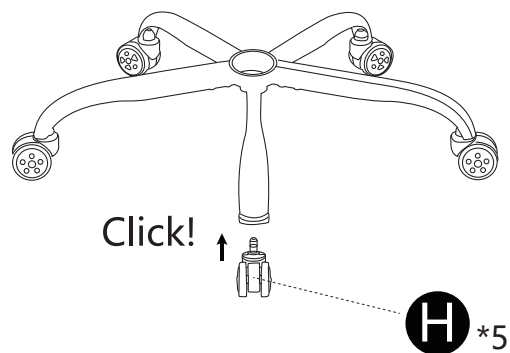


# Assembly steps

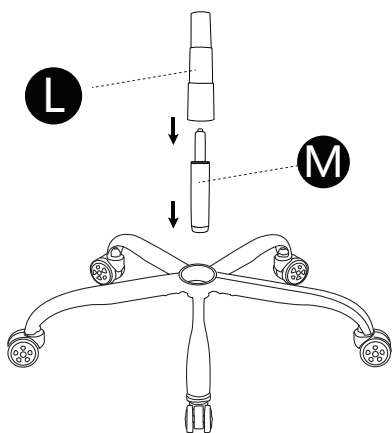
## 1. Assemble five-star foot



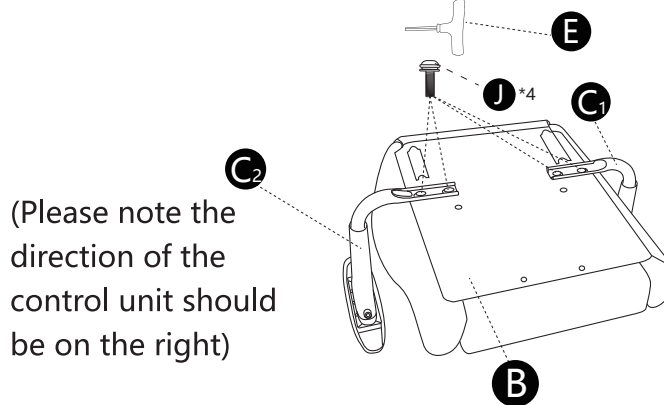
## 2. Attach wheels



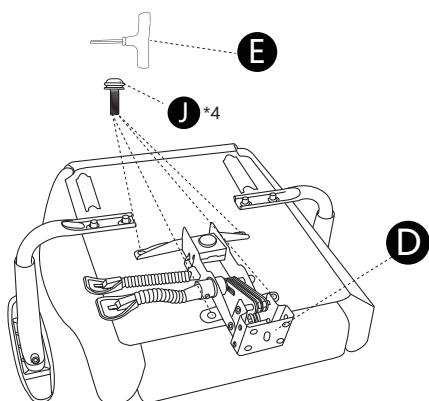
## 3. Insert the gas lift and plastic cover



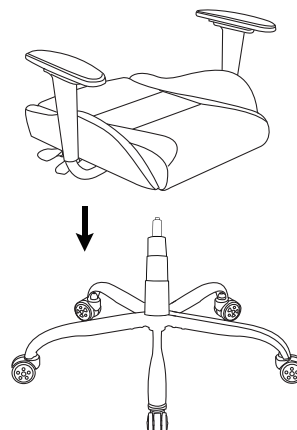
## 4. Fix the armrests to the base of the seat



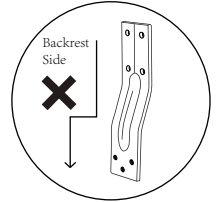
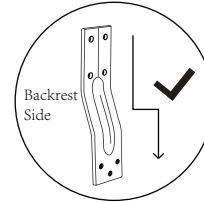
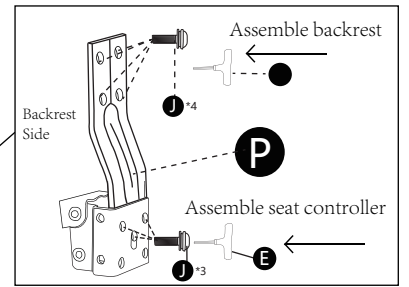
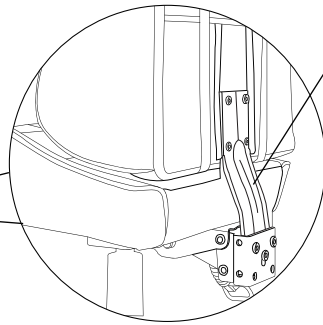
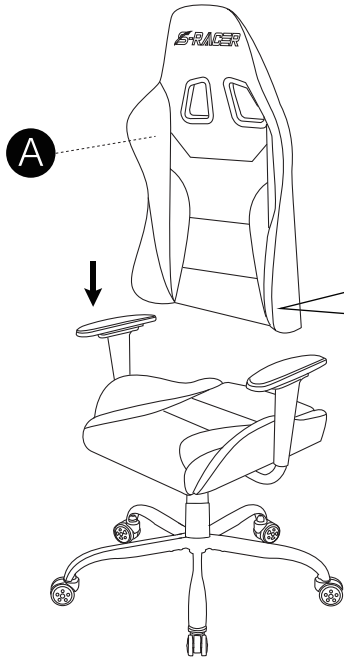
## 5. Fix the control unit to the base of the seat



## 6. Insert the gas lift into the control unit

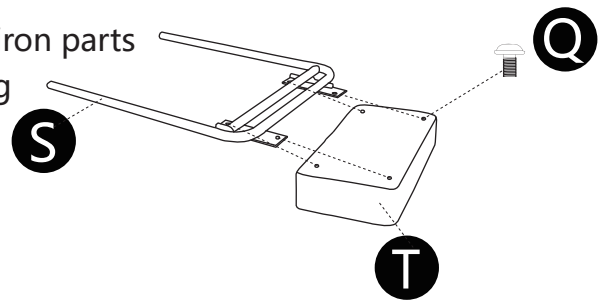


7. Mount the steel plate into the control unit, mount the back on the steel plate



Notice: the correct way to install the steel plate

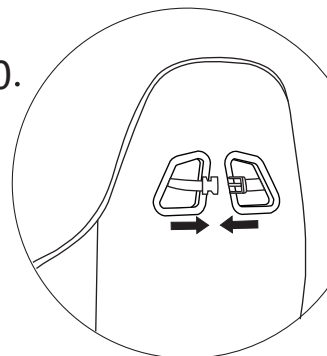
8. Assemble the iron parts on the soft bag



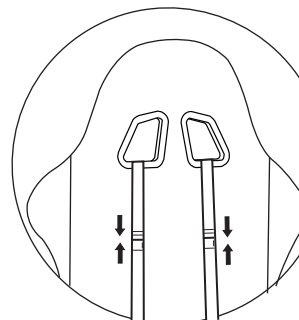
9. Slide the foot in and then turn the screw



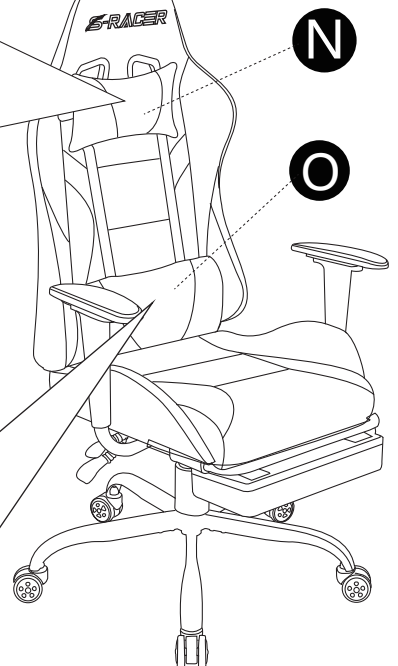
10.



Insert the elastic through the plastic hole Tighten the elastic



Attach belt clips together



# Function



1 Load capacity up to 330lb

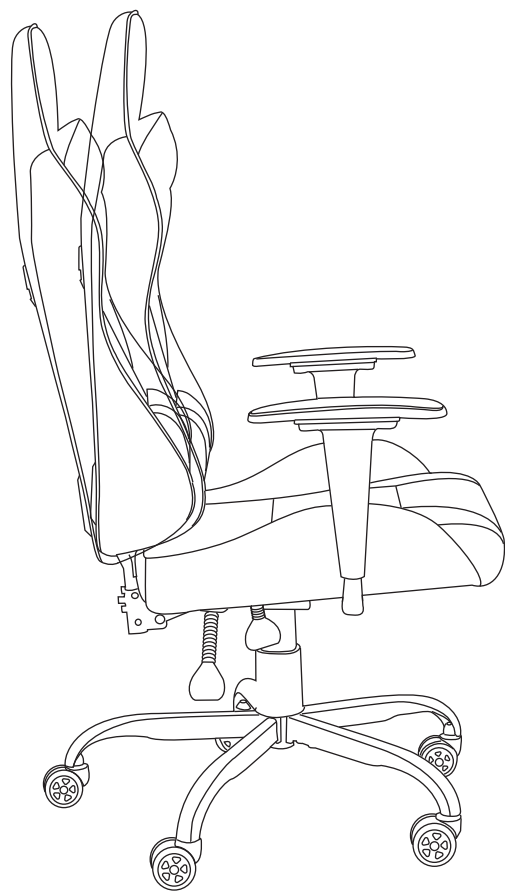


2 Seat Height adjustment  
(Adjusting knob on the right)



3 360 degree swivel

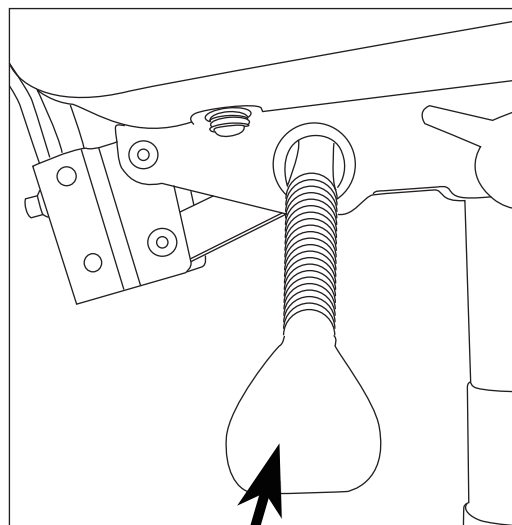
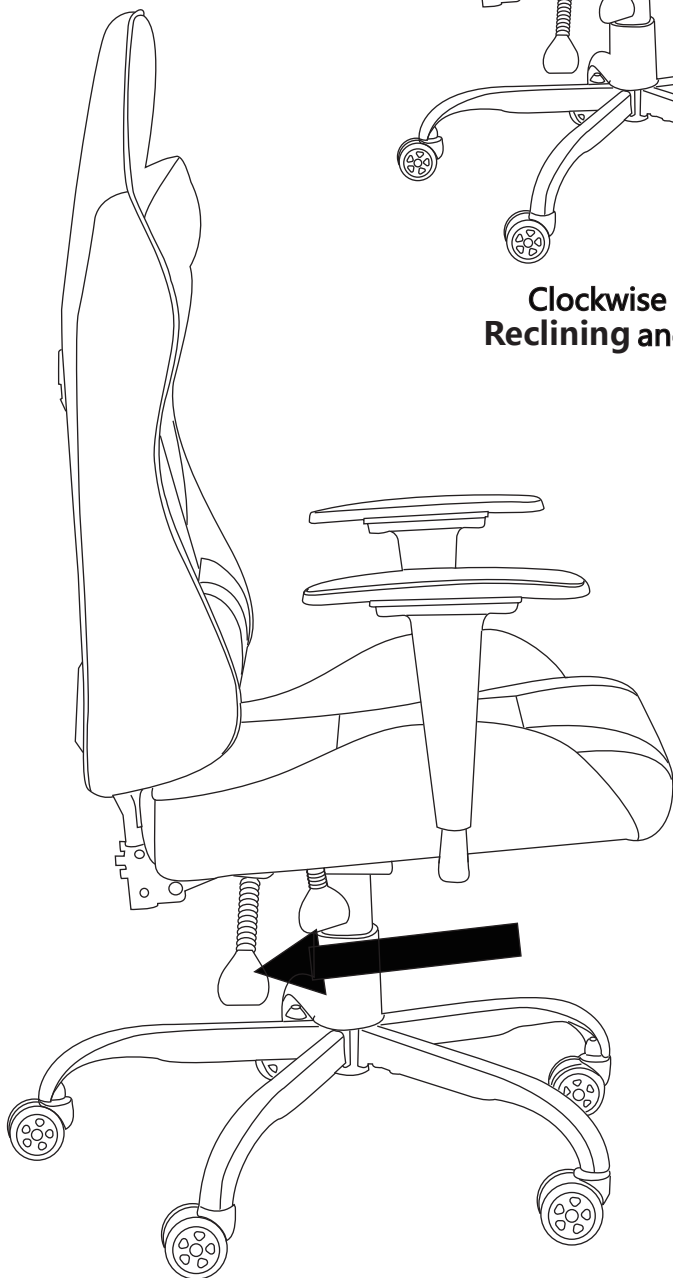
# Reclining function



**Clockwise rotation  
Reclining angle 0-10°**



**Counterclockwise rotation  
Reclining angle 10-30°**



**Adjustable degree:0°-135°**

# Instruction during use

1. Move the item gently to avoid collision.
2. Keep it away from direct sunlight.
3. Check to ensure that the center of gravity is on the hydraulic when in use.
4. Watch out your fingers when adjusting the backrest angle.
5. Use the handle adjuster under the seat to adjust the seat height. Do not press or pull the seat by force.
7. Do not place any heavy objects on the seat or armrests.
8. Keep the plastic parts away from direct sunlight.
9. Avoid abrasive cleaner for cleaning.