



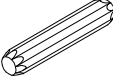







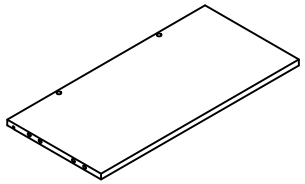
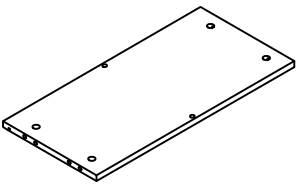
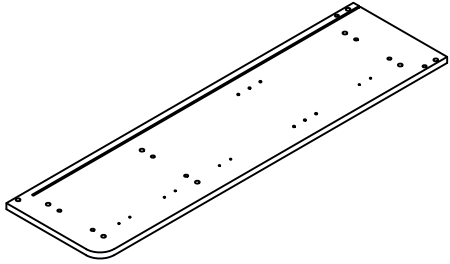
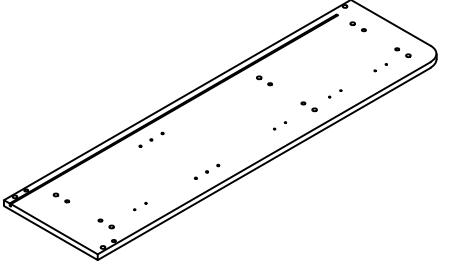
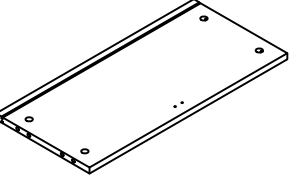
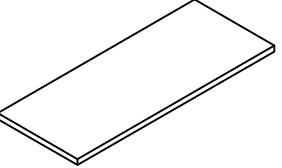
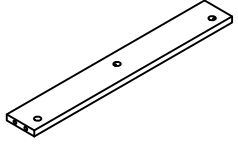
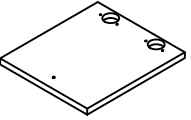
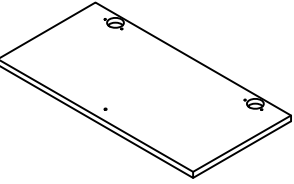
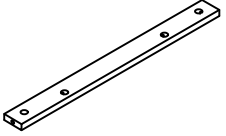
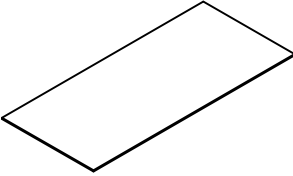
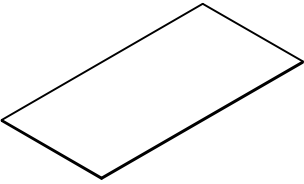


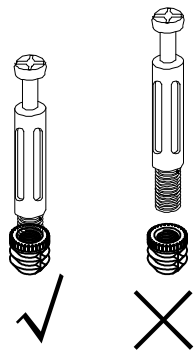
<p>K 4*20</p>  <p>4PCS</p>	<p>L</p>  <p>4PCS</p>
<p>A</p>  <p>22PCS</p>	<p>B</p>  <p>22PCS</p>

<p>C 8*40</p>  <p>16PCS</p>	<p>D 3.5*14</p>  <p>52PCS</p>	<p>E</p>  <p>4PCS</p>	<p>F</p>  <p>2PCS</p>	<p>G 568mm</p>  <p>1PCS</p>	<p>H</p>  <p>10PCS</p>	<p>I 3*12</p>  <p>10PCS</p>	<p>J</p>  <p>4PCS</p>
--	--	---	--	--	---	--	--

<p>1</p>  <p>1PS</p>	<p>2</p>  <p>1PS</p>	<p>3</p>  <p>1PS</p>	<p>4</p>  <p>1PS</p>
<p>5</p>  <p>1PS</p>	<p>6</p>  <p>1PS</p>	<p>7</p>  <p>2PS</p>	<p>8</p>  <p>2PS</p>
<p>9</p>  <p>2PS</p>	<p>10</p>  <p>1PS</p>	<p>11</p>  <p>1PS</p>	<p>12</p>  <p>2PS</p>

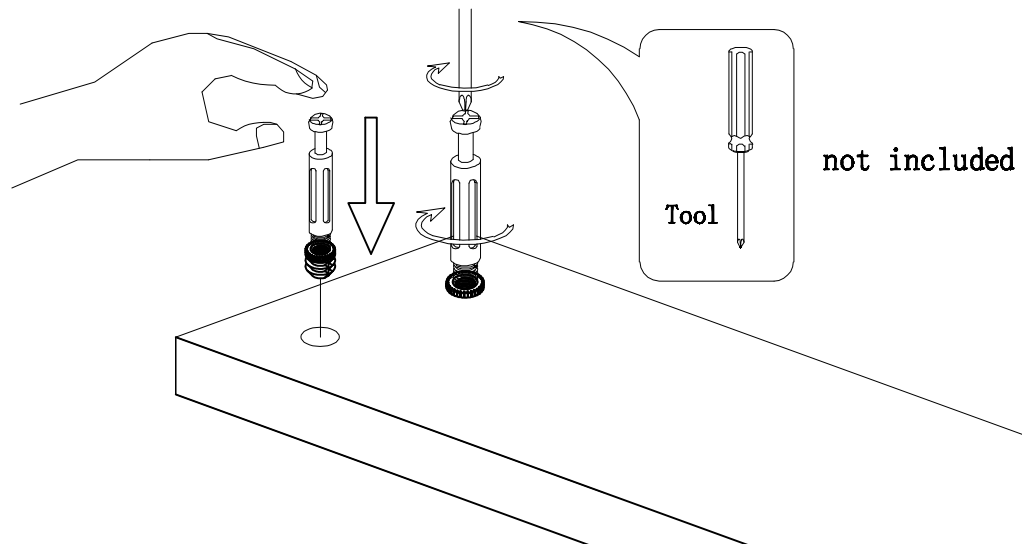
# "A" Hardware installation example

I

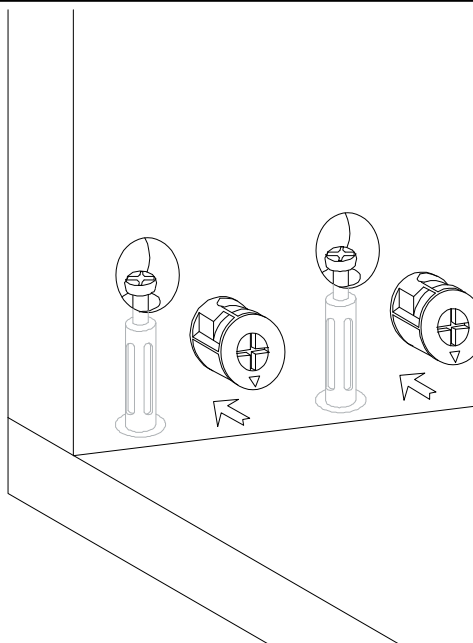


This part cannot be separated,  
please install in strict  
accordance with the assembly  
requirements

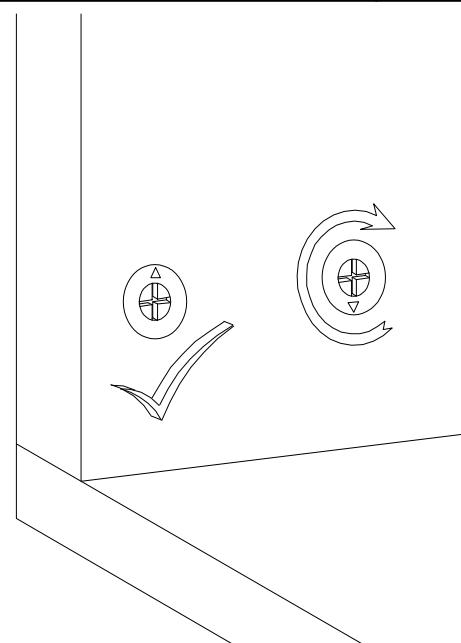
II



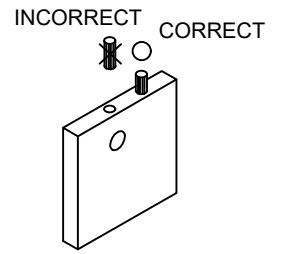
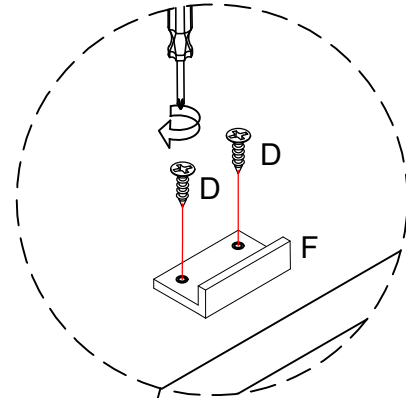
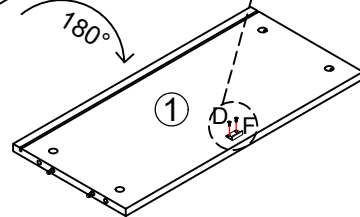
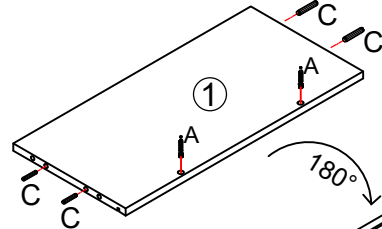
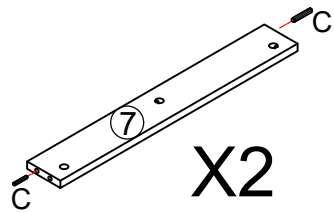
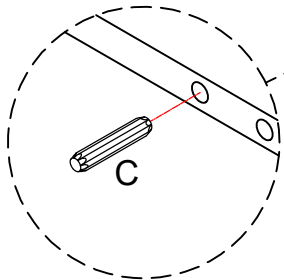
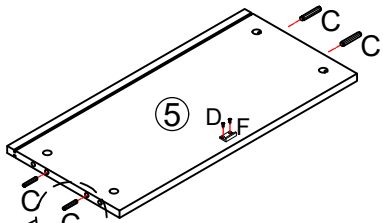
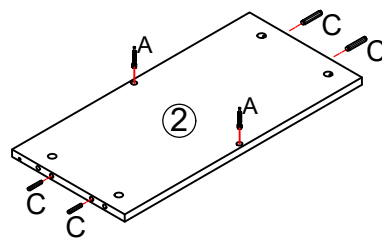
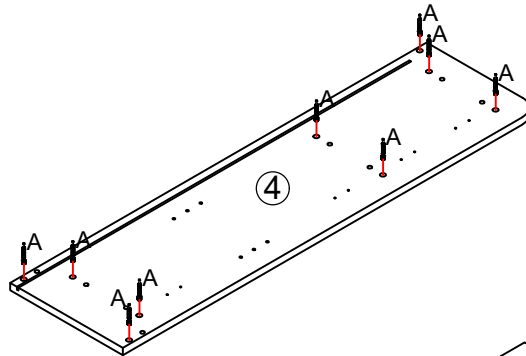
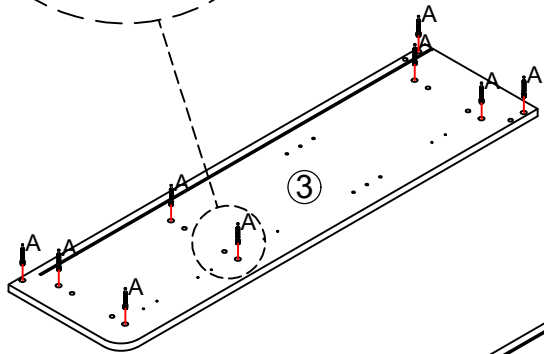
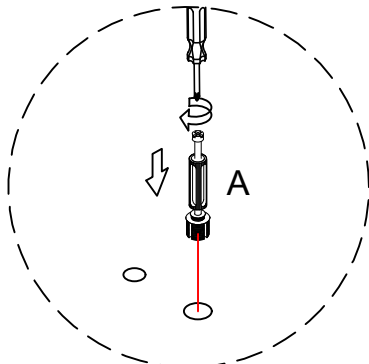
III


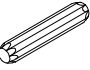




IV



1

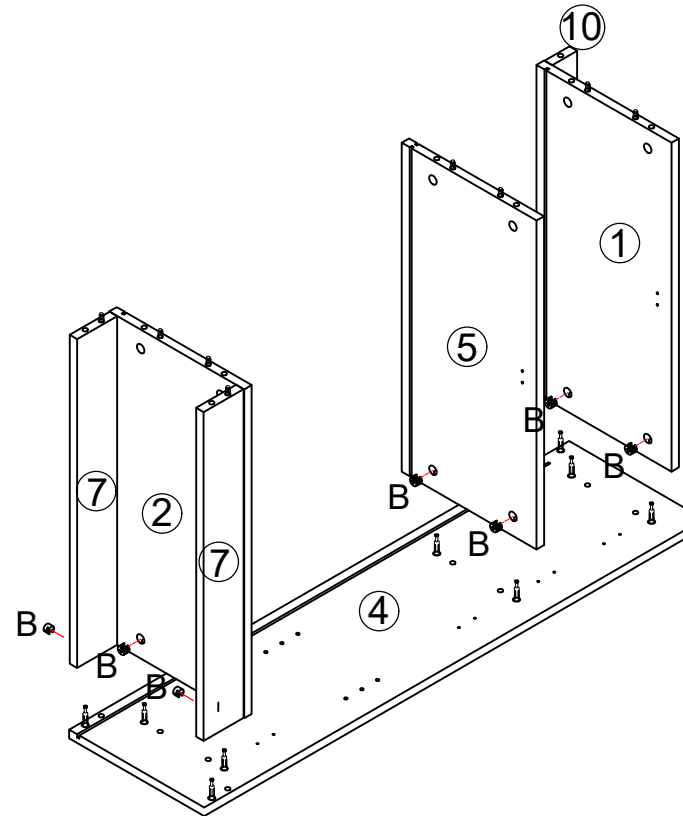
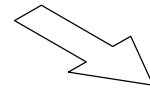
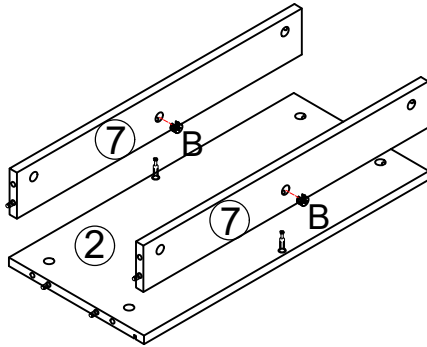
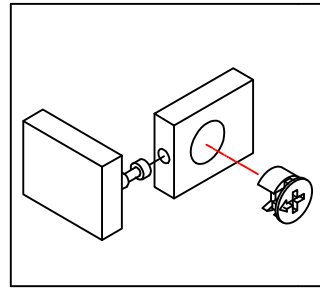
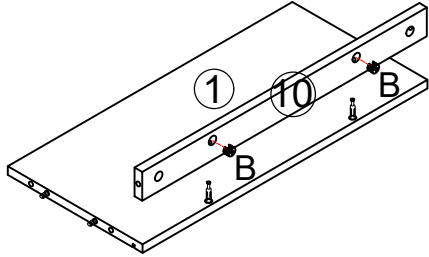


	A*22
	C*16
	D*4
	F*2

put A on board ①②③④  
 put C on board ①②⑤⑦

2

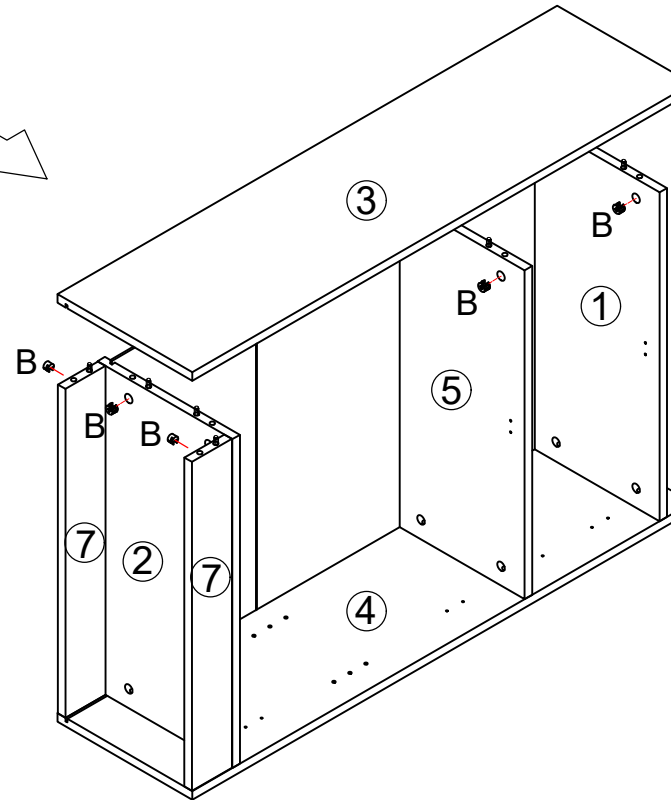
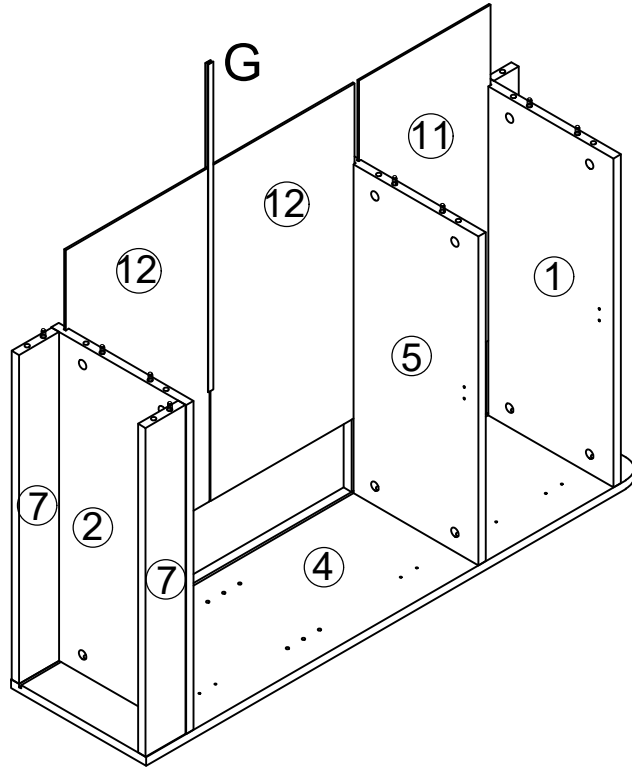
Make sure the arrow on the screw align to the hole on the side.



B\*13

put B on board ①②⑤⑦⑩

3



put B on board ①②⑤⑦⑩

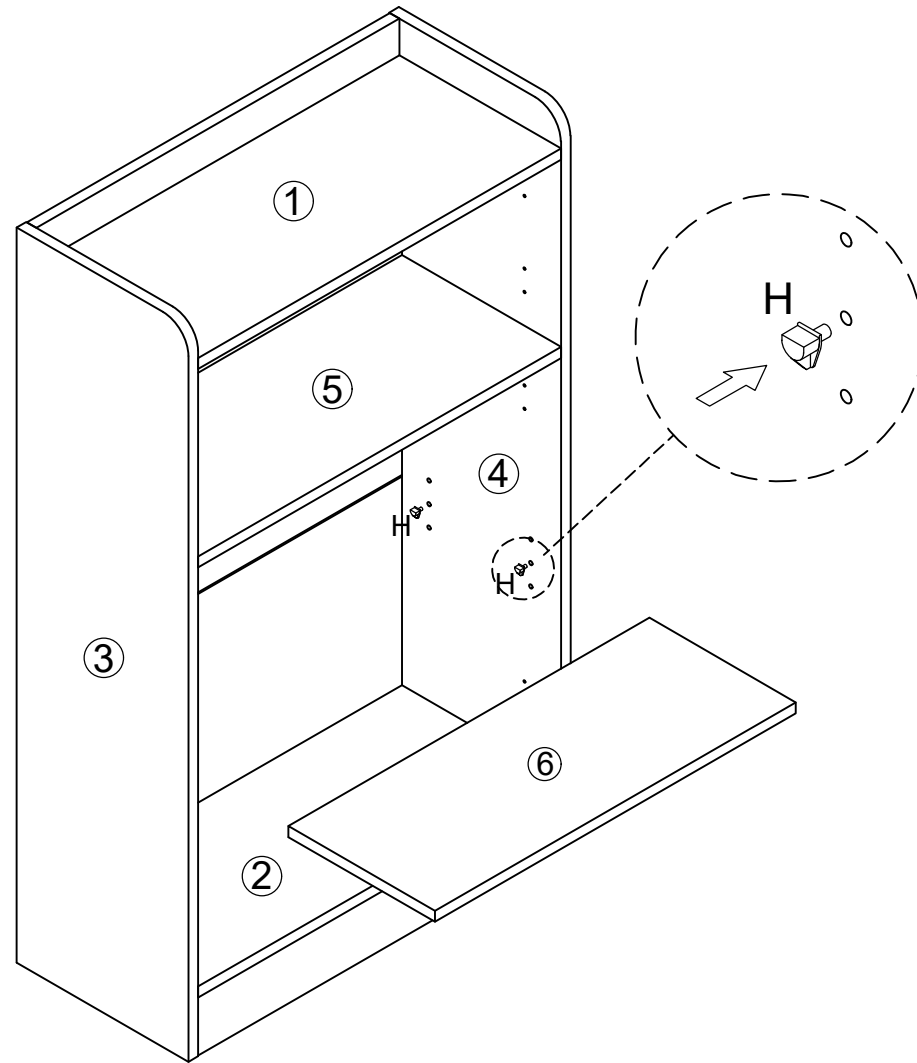


B\*9



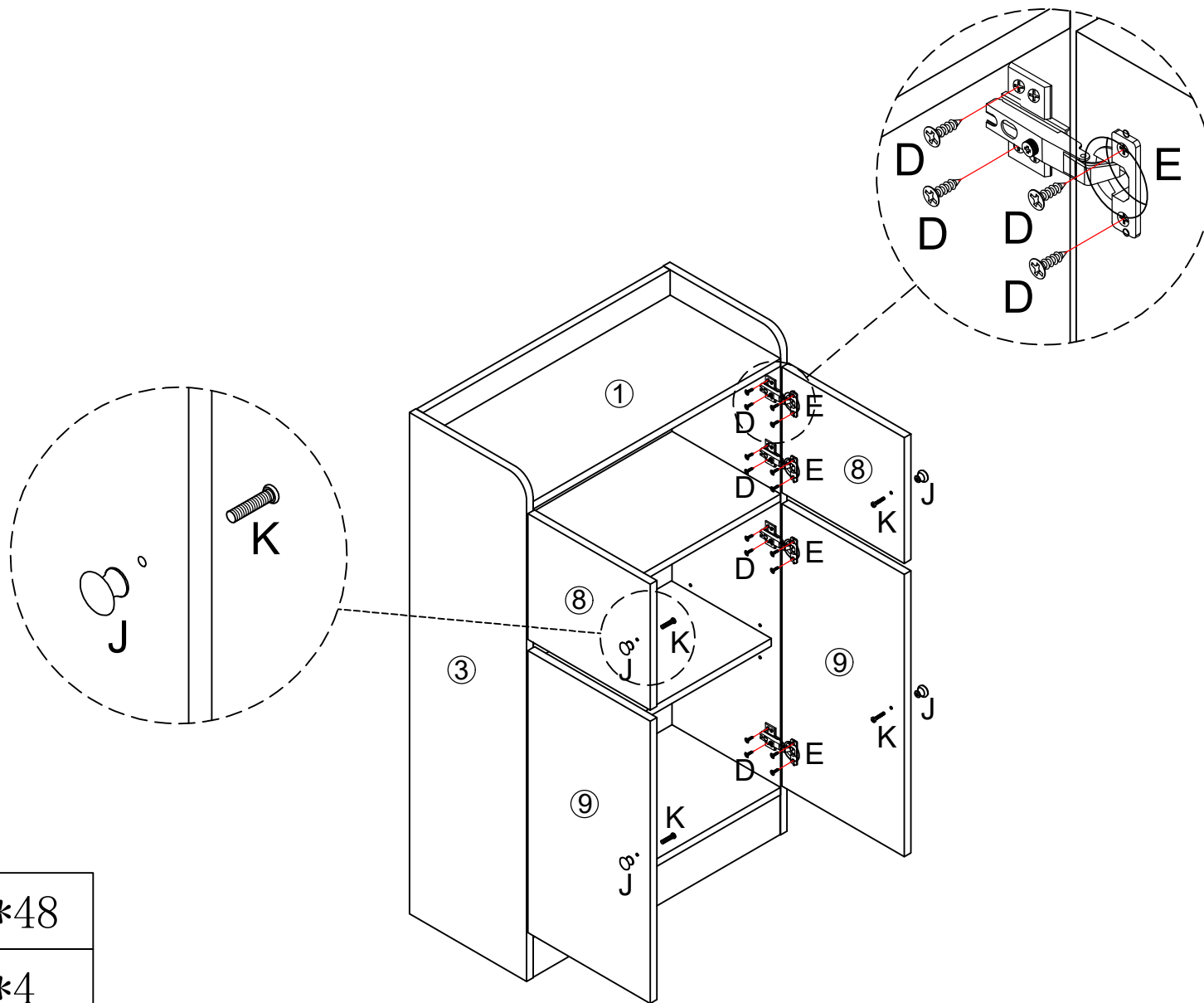
G\*1

4



H\*4

5



D\*48



E\*4

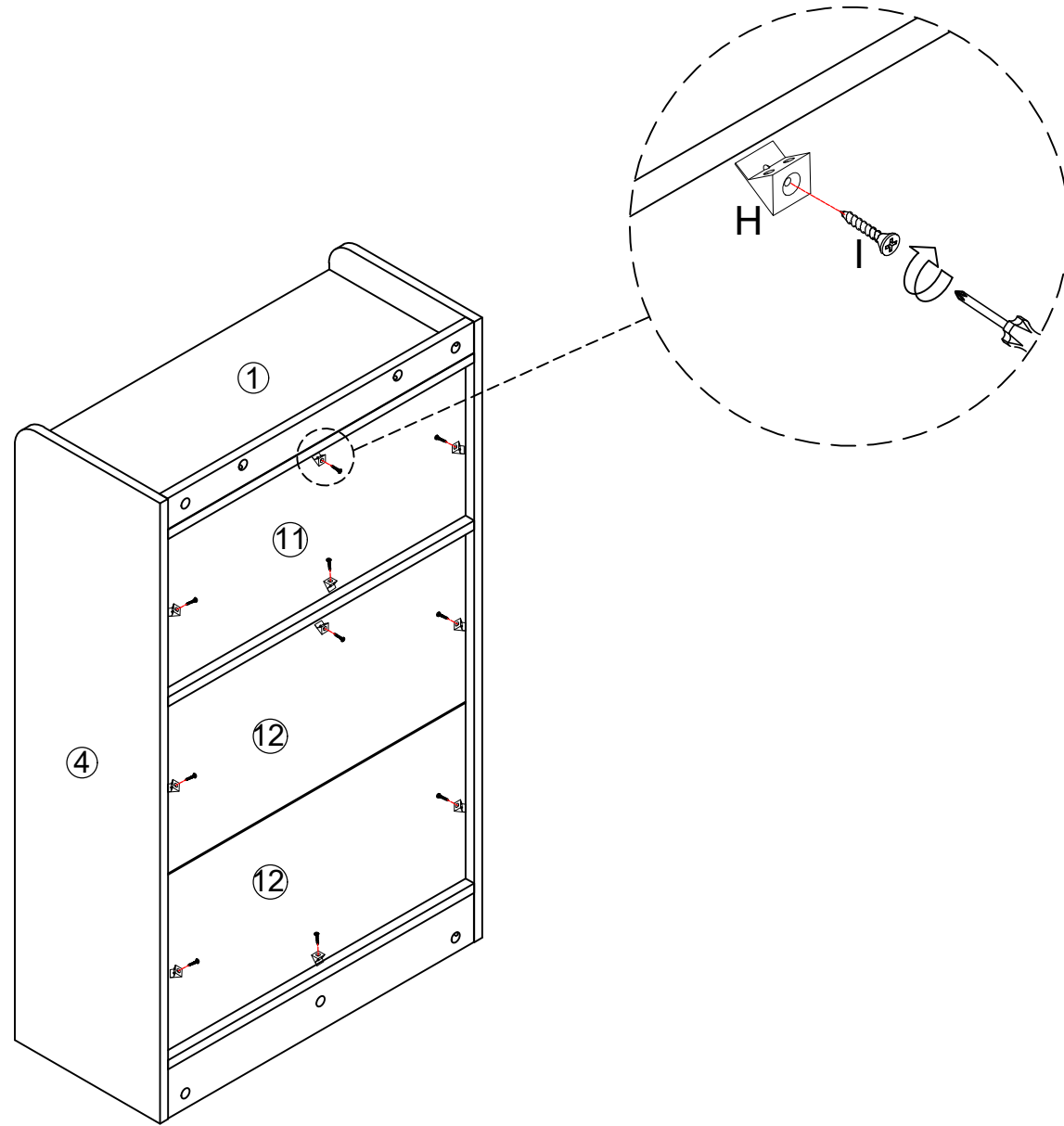


J\*4



K\*4

6



H\*10



I\*10

END

