

FIAMA 36 SUSPENSION

VISUAL COMFORT & CO.

PRODUCT FEATURES

- Large transitional design style yet modern
- Simple slender ring that adds a minimalist chic feel to any space
- Ideal for dining room lighting, foyer lighting and commercial
- Ships with an energy efficient integrated LED lamp
- Fully dimmable integrated LEDs illuminate up and down to create the desired ambiance

LAMPING

Includes 97.5 watt, 5519 delivered lumens, 3000K LED module.
Dimmable with most LED compatible ELV, TRIAC and 0-10V dimmers.
Fixture provided with twelve feet of field-cutttable cable. 120V-277V.



Plated Brass



Satin Nickel

White

Black

Plated Brass

ORDERING INFORMATION

SLCH149	COLOR TEMP	FINISH
	303000K	B MATTE BLACK W MATTE WHITE BR PLATED BRASS S SATIN NICKEL

SLCH149 _____

JOB NAME _____

NOTES _____

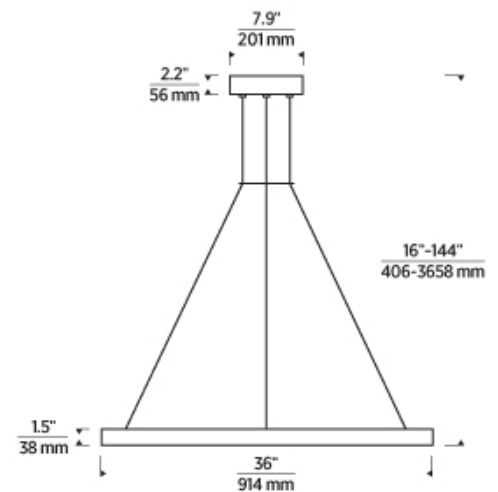


FIAMA 36 SUSPENSION

VISUAL COMFORT & Co.

SPECIFICATIONS

PRIMARY MATERIAL	Aluminum
SHADE MATERIAL	Aluminum
NET WEIGHT	10 lbs
HEIGHT	1.5in
WIDTH	36in
LENGTH	36in
UP LIGHT / DOWN LIGHT / BOTH?	
WET LISTED	
DAMP LISTED	
DRY LISTED	
MIN. HANGING HEIGHT	16in
MAX HANGING HEIGHT	144in
TOTAL CORD LENGTH	144in
TOTAL STEM LENGTH	
STEM QTY	
SLOPED CEILING ADAPTABLE?	Yes 45° Max
GENERAL LISTING	ETL Listed
INCLUDES	



LAMPING SPECIFICATIONS

	LED LAMP	INTEGRATED LED	NON LED	NO LAMP
DELIVERED LUMENS		5519		
WATTS		97.5		
MAX WATTAGE PER BULB		97.5W		
		Universal 120V-277V 0-10, ELV, TRIAC		
CCT		3000K		
CRI		90 CRI		
LED LIFETIME		>50000		
L70				
AVERAGE BULB HOURS				
FIELD SERVICEABLE LED				
LAMP BASE		Integrated LED		
LAMP SHAPE		Integrated LED		
LAMP INCLUDED?		True		
WARRANTY**		5 Years		

* Dimming information available at www.techlighting.com/Downloads#dimming

** Visit techlighting.com for specific warranty limitations and details.

T20 / T24 / JA8 INFORMATION

	Integrated LED	Replacement LED Lamp	No Lamp *
This product can be used to comply with California Building Energy Efficiency Standards 2016 Title 24 Part 6 / JA8.	Yes		
This product can be used to comply with California Appliance Efficiency Standards 2016 Title 20 and may be shipped to and sold in California.			

* If a light fixture or component does not include a lamp or light source, it is the responsibility of the customer to select a lamp that meets the T24 and T20 requirements.

