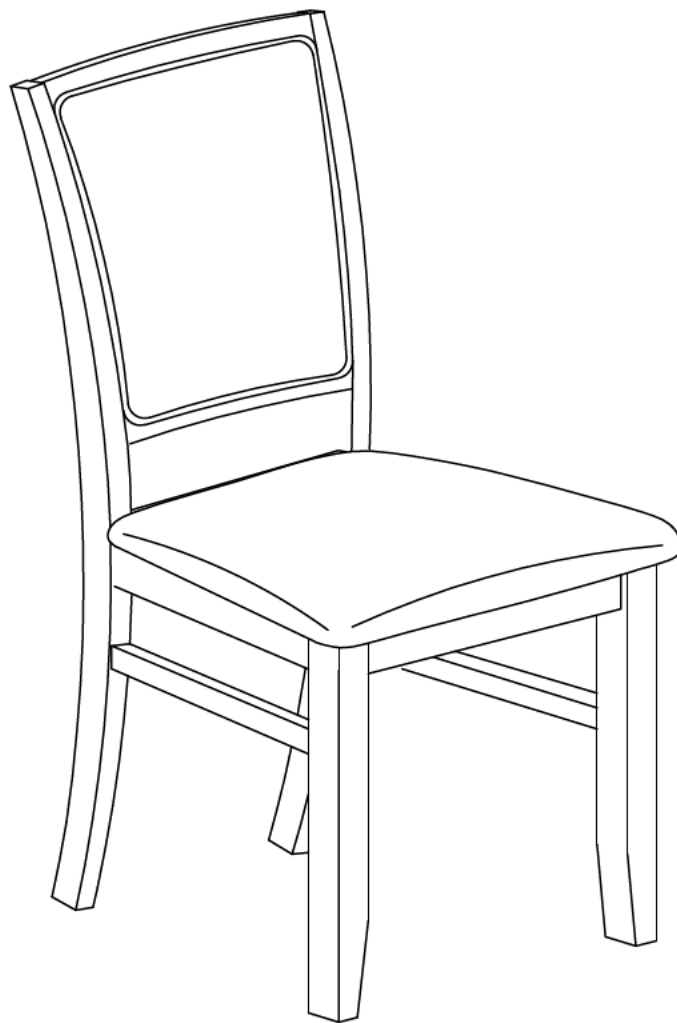
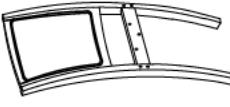
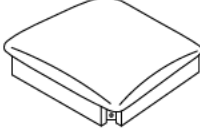
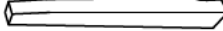
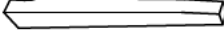



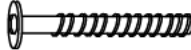
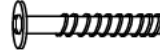
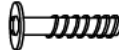


Dining Chair

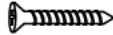



PART LIST

				
<p>Back 2 PCS</p>	<p>Seat 2 PCS</p>	<p>Right Leg 2 PCS</p>	<p>Left Leg 2 PCS</p>	<p>Leg Support 4 PCS</p>

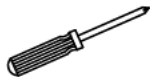
HARDWARE LIST

				
<p>M6 x 80mm Long Bolt 8 PCS (Extra 1)</p>	<p>M6 x 60mm Bolt 8 PCS (Extra 1)</p>	<p>M6 x 40mm Short Bolt 4 PCS (Extra 1)</p>	<p>Spring Washer 20 PCS (Extra 1)</p>	<p>Flat Washer 20 PCS (Extra 1)</p>

	
<p>M4 x 38mm Screw 8 PCS (Extra 1)</p>	<p>M4 Allen Wrench 1 PC</p>

ADDITIONAL TOOLS (Not Provided)

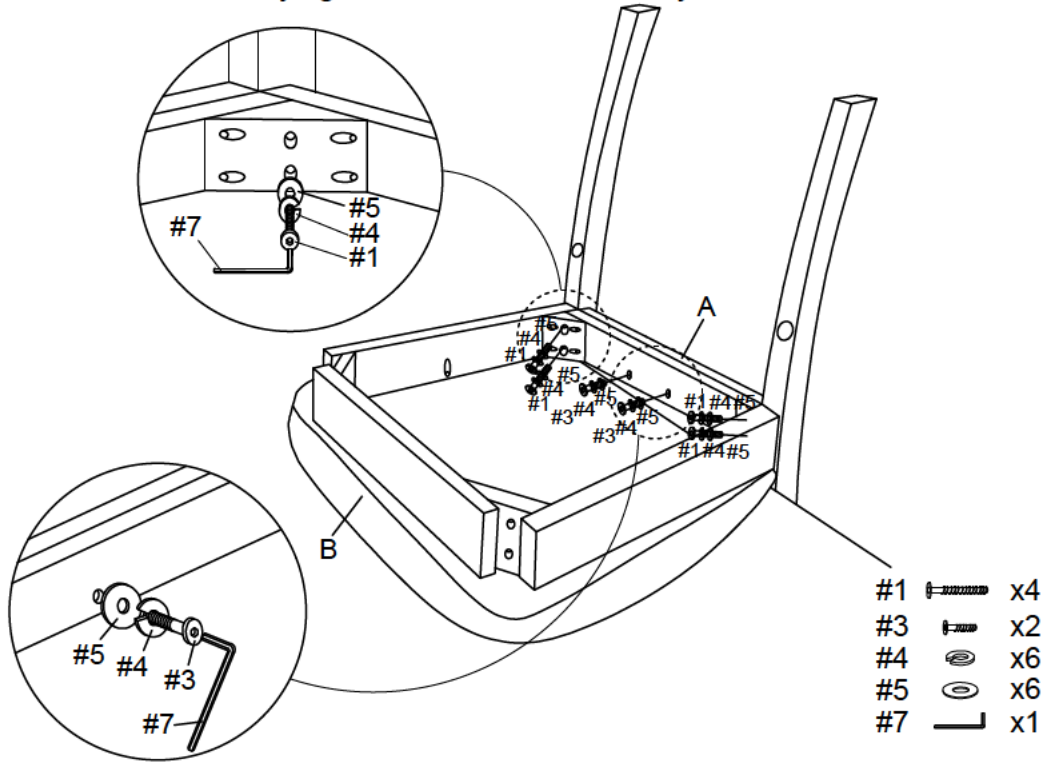
Note: It is not recommended to use power tools during assembly.



Phillips Head Screwdriver

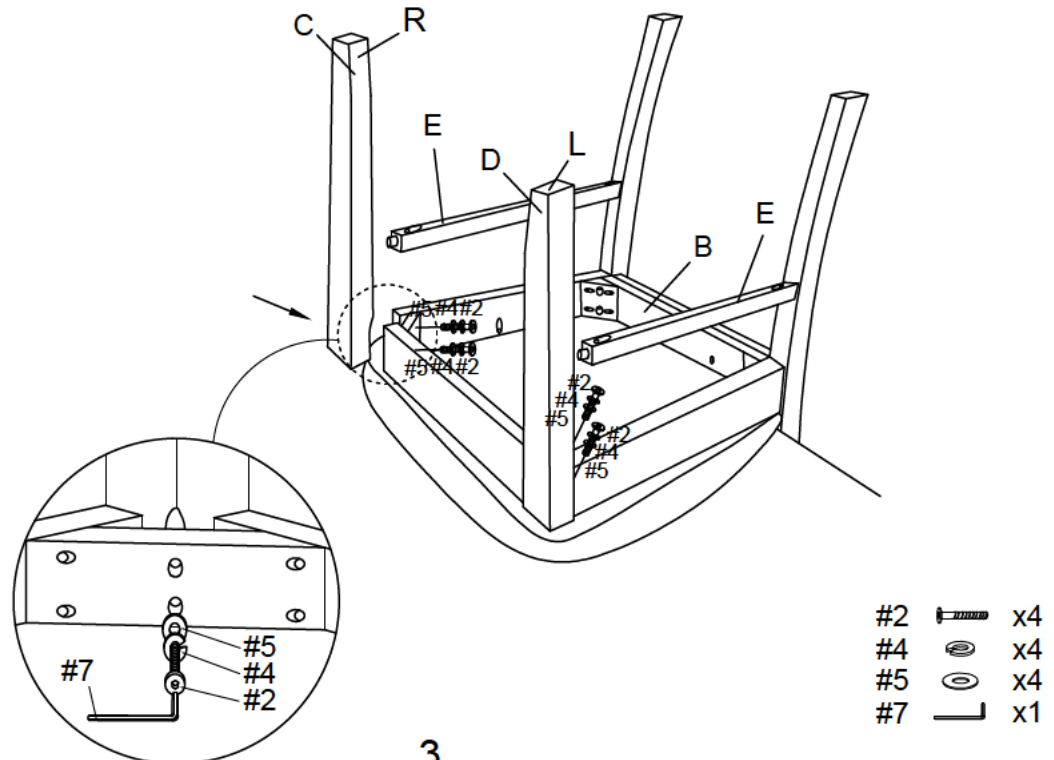
Step 1 . Attach seat (part B) to back (part A) using long bolts (part #1), short bolts (part #3), spring washers (part #4), flat washers (part #5), and allen wrench (part #7).

NOTE: Please do not fully tighten bolts until unit is fully assembled.

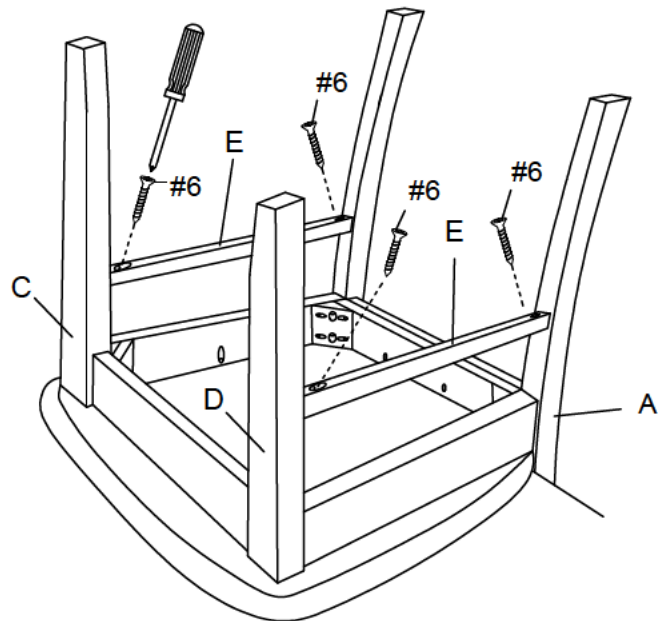


Step 2 . Attach leg supports (part E) to back (part A). Attach legs (parts C & D) to seat (part B) using bolts (part #2), spring washers (part #4), flat washers (part #5) and allen wrench (part #7).

NOTE: Please fully tighten all bolts at this time.



Step 3. Secure leg supports (part E) to back (part A) and legs (parts C & D) using screws (part #6) and phillips head screwdriver.



Step 4. Carefully turn unit upright. Repeat steps 1-3 to assemble remaining chair.

